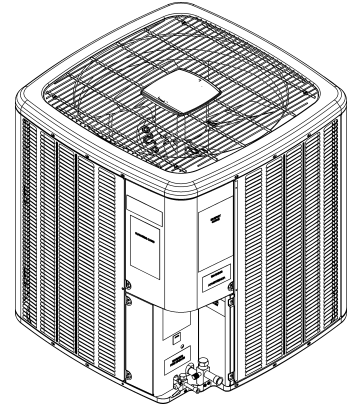


DZ4SEA Remote Heat Pump Unit

DZ4SEA3630AA
DZ4SEA3640AA
DZ4SEA4830AA
DZ4SEA4840AA
DZ4SEA6030AA
DZ4SEA6040AA



This manual is to be used by qualified technicians only.

Important Information

Index

Functional Parts List	3
Illustration and Parts	4 - 9

Views shown are for parts illustrations only, not servicing procedures.

Text Codes:

AR - As Required

NA - Not Available

NS - Not Shown

00000000 - See Note

QTY - Quantity Example (QTY 3) (If Quantity not shown, Quantity = 1)

M - Model Example (M1) (If M Code not shown, then part is used on all Models)

Expanded Model Nomenclature:

Example
M1 - Model#1
M2 - Model#2
M3 - Model#3

Daikin Comfort Technologies Manufacturing , L.P. is not responsible for personal injury or property damage resulting from improper service. Review all service information before beginning repairs.

Warranty service must be performed by an authorized technician, using authorized factory parts. If service is required after the warranty expires, Daikin Comfort Technologies Manufacturing , L.P. also recommends contacting an authorized technician and using authorized factory parts.

Daikin Comfort Technologies Manufacturing , L.P. reserves the right to discontinue, or change at any time, specifications or designs without notice or without incurring obligations.

For assistance within the U.S.A. contact:
Homeowner Support
Daikin Comfort Technologies Manufacturing , L.P.
19001 Kermier Road
Waller, Texas 77484
855-770-5678-Telephone
713-863-2382-Facsimile

For assistance outside the U.S.A. contact:
International Division
Daikin Comfort Technologies Manufacturing , L.P.
19001 Kermier Road
Waller, Texas 77484
713-861-2500-Telephone
713-863-2382-Facsimile

Functional Parts

Part

No: Description:

0151R00231	ADJUSTABLE VALVE, TXV R410A (M5, M6)
0151R00216	ADJUSTABLE VALVE, TXV R410A (M1, M2)
0151R00230	ADJUSTABLE VALVE, TXV R410A (M3, M4)
0151R00187	BASE VALVE 3/8"
0151R00186	BASE VALVE 7/8"
CAP050000370LA	CAP, 5 MFD/370V/OVAL (M2, M3, M4, M5, M6)
CAP050000440LA	CAPACITOR (M1)
ZP31K7ETF5130	COMPRESSOR, COPELAND (M1)
ZP31K7ETFD130	COMPRESSOR, COPELAND (M2)
ZP40K7ETF5130	COMPRESSOR, COPELAND (M3)
ZP40K7ETFD130	COMPRESSOR, COPELAND (M4)
ZP51K7ETFD130	COMPRESSOR, COPELAND (M6)
ZP51K7ETF5130	COMPRESSOR, COPELAND (M5)
CONT3P025024V	CONT, 3 POLE, 25 AMP, 24 VAC
0130M00723	CONTROL, DEFROST (M1, M2)
0130M00250	CONTROL, DEFROST (M3, M4, M5, M6)
0150M00066	FAN BLADE, 26"
0163R00031	HEATER CRANKCASE 460V, 40W (M2)
0163R00004	HEATER CRANKCASE, 460V, 40W (M4, M6)
0163R00003	HEATER, CRANKCASE 230V 40W (M3, M5)
0163R00002	HEATER, CRANKCASE 230V, 40W (M1)
0131M00783	MOTOR, 1/4HP 8PL 460V (M4, M6)
0131M00807	MOTOR, 1/4HP,1SP,8PL,AL (M3, M5)
0131M00784	MOTOR, 1/6HP 8PL 460V (M2)
0131M00945	MOTOR, 1/6HP, 8PL (M1)
PCBDM101	PCB, DEFROST CONTROL
0151R00071	REVERSING VALVE
B1225022	SOLENOID COIL
0130R00056	SW-CUTOUT HI PRESS
0130R00001	SW-CUTOUT LOW PRESS

SPECIAL PARTS

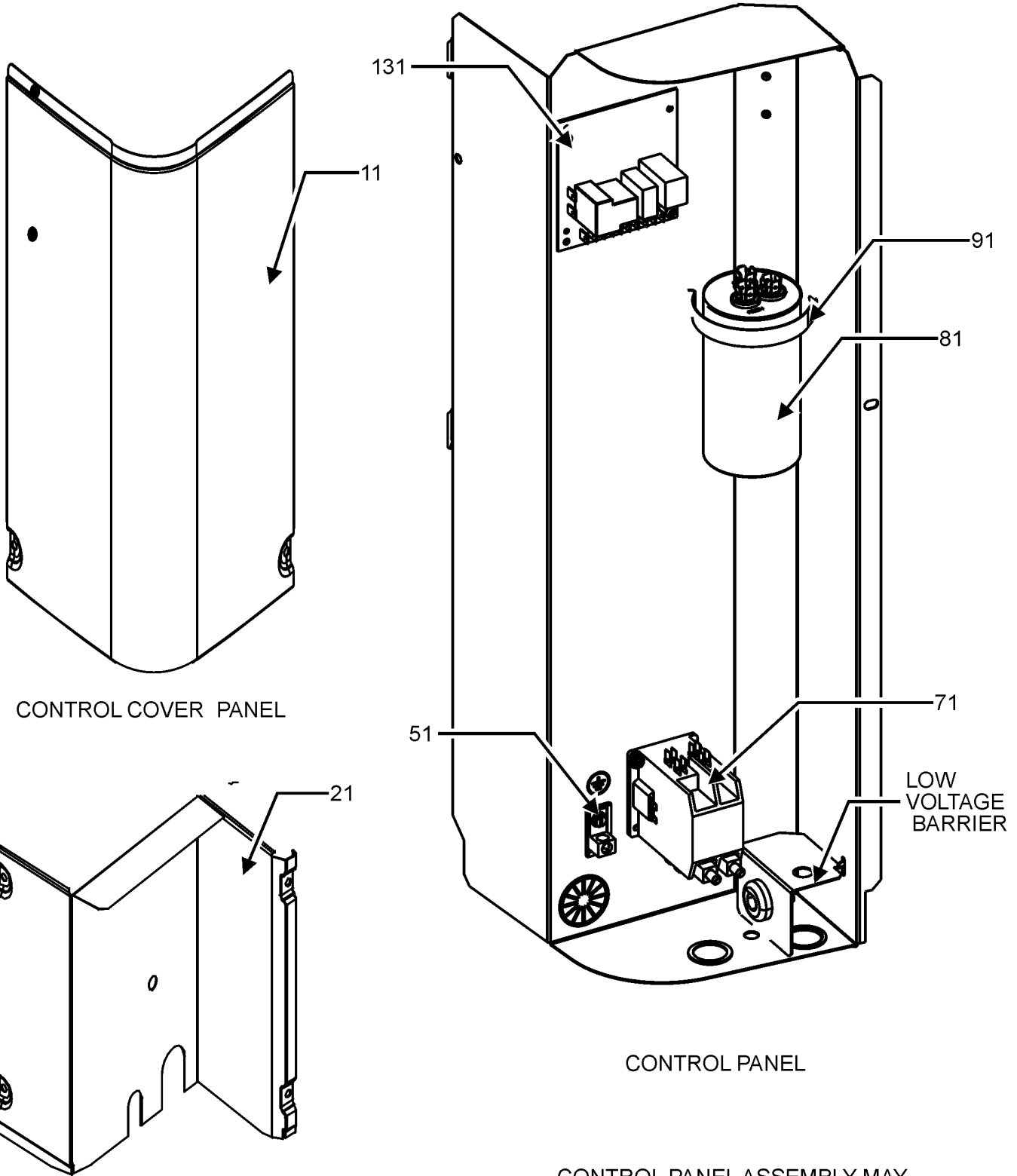
0161R00093	NAMEPLATE, DAIKIN
0163M00005P	WASHER, BLACK (.50 OD .218ID) (QTY 4)

Expanded Model Nomenclature

M1 - DZ4SEA3630AA
M2 - DZ4SEA3640AA
M3 - DZ4SEA4830AA
M4 - DZ4SEA4840AA
M5 - DZ4SEA6030AA
M6 - DZ4SEA6040AA

Control Panel Assembly

CONTROL PANEL ASSEMBLY



CONTROL PANEL ASSEMBLY MAY DIFFER FROM WHAT IS SHOWN

Control Panel Assembly

Ref. Part No:	No:	Description:	Ref. Part No:	No:	Description:
---------------	-----	--------------	---------------	-----	--------------

Image 1:

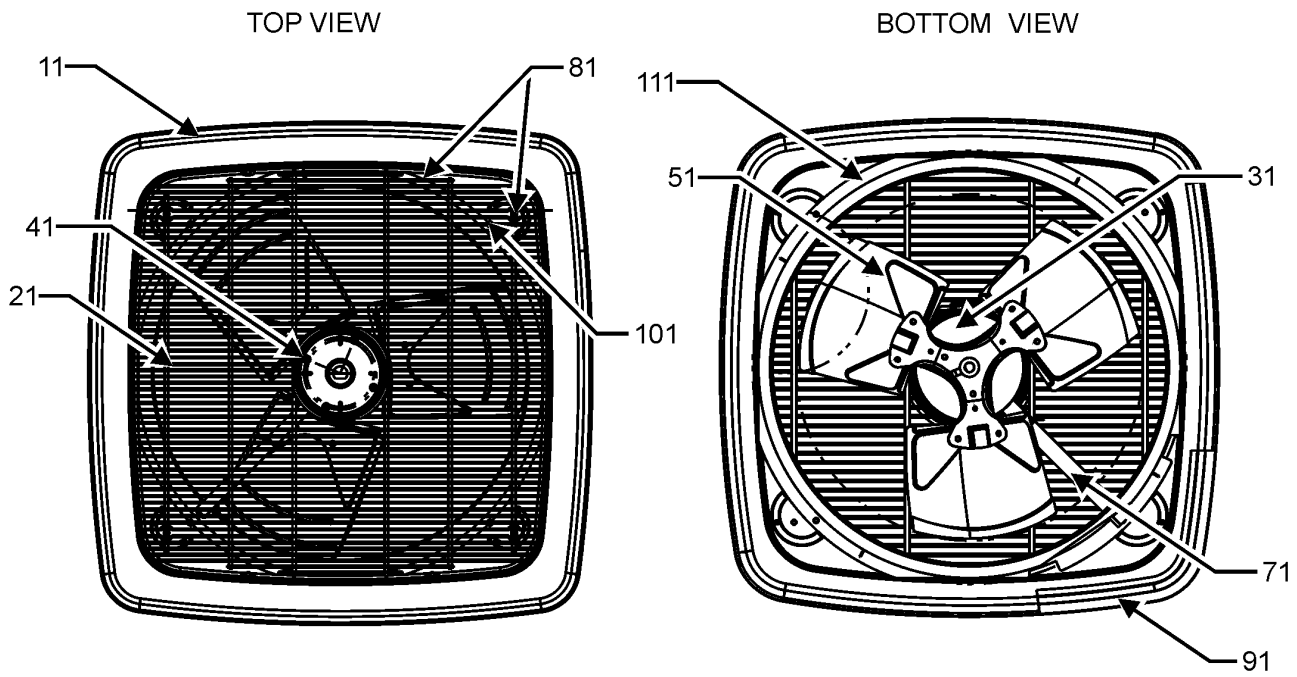
11	0121R00909PNG	PNL, LWR ACCESS (M1, M2)
11	0121R00916PNG	PNL, LWR ACCESS (M5, M6)
11	0121R00917PNG	PNL, LWR ACCESS (M3, M4)
21	0121R00937PNG	CONTROL COVER, SMALL PNT
51	B1378533	LUG GROUND SMALL 4T
71	CONT3P025024V	CONT, 3 POLE, 25 AMP, 24 VAC
81	CAP050000370LA	CAP, 5 MFD/370V/OVAL (M2, M3, M4, M5, M6)
81	CAP050000440LA	CAPACITOR (M1)
91	4400065	CAPACITOR STRAP
131	PCBDM101	PCB, DEFROST CONTROL
NS	0161R00093	NAMEPLATE, DAIKIN

Expanded Model Nomenclature

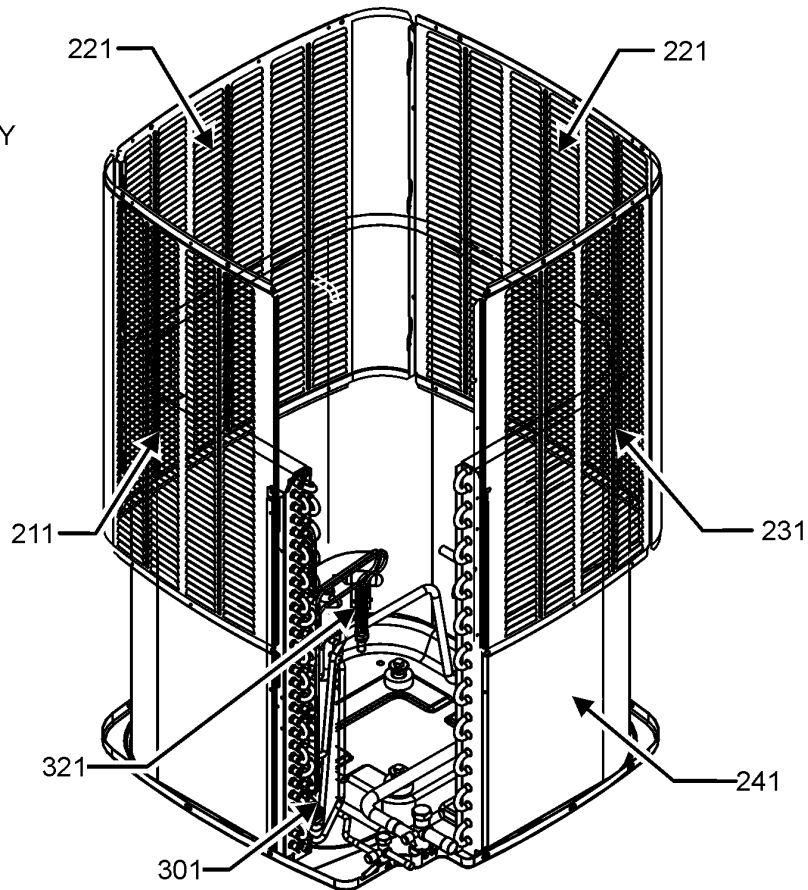
M1 - DZ4SEA3630AA
M2 - DZ4SEA3640AA
M3 - DZ4SEA4830AA
M4 - DZ4SEA4840AA
M5 - DZ4SEA6030AA
M6 - DZ4SEA6040AA

Top Panel and Louver Assembly

TOP PANEL AND LOUVER ASSEMBLY



LOUVER ASSEMBLY



TOP PANEL AND LOUVER ASSEMBLY MAY DIFFER FROM WHAT IS SHOWN

Top Panel and Louver Assembly

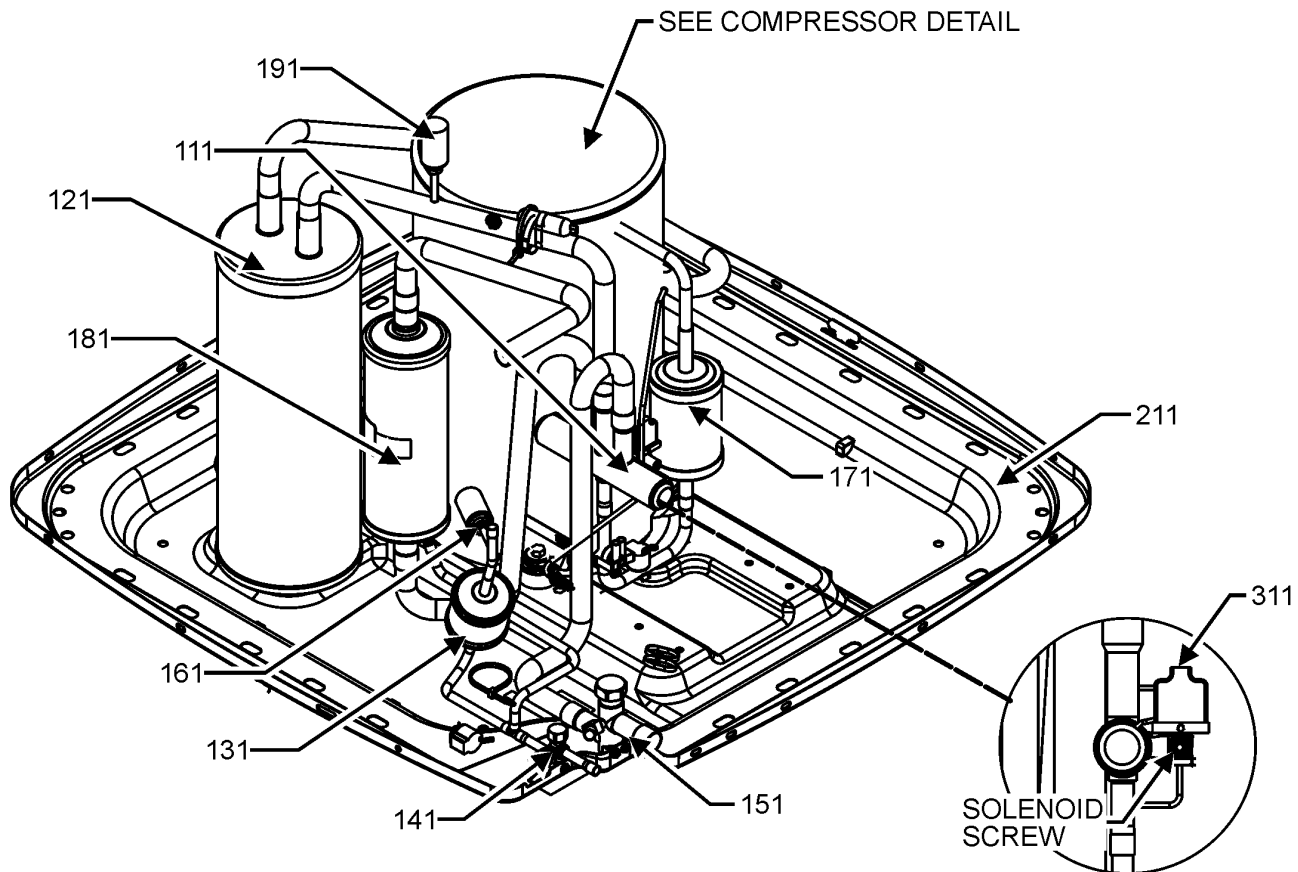
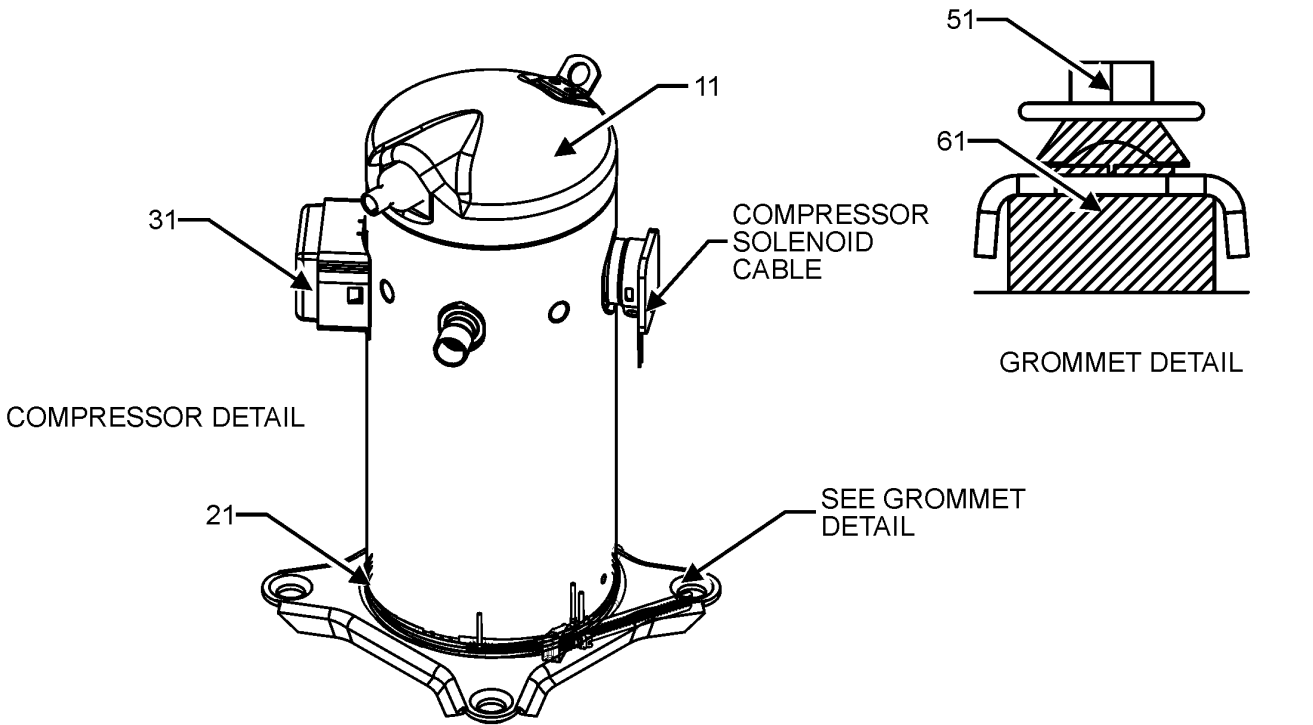
Ref. Part No:	Ref. Part No:	Description:	Description:
Image 1:			
11	0121R00936PNG	TOP PANEL, 35. PNT	
21	0152R00026	GRILL, WIRE 35. TOP	
31	0131M00783	MOTOR, 1/4HP 8PL 460V (M4, M6)	
31	0131M00807	MOTOR, 1/4HP,1SP,8PL,AL (M3, M5)	
31	0131M00784	MOTOR, 1/6HP 8PL 460V (M2)	
31	0131M00945	MOTOR, 1/6HP, 8PL (M1)	
41	0163M00006P	NUT, ACORN 5/16 HEX BLACK (QTY 4)	
51	0150M00066	FAN BLADE, 26"	
71	0161R00005P	CONDUIT	
81	0163M00003P	SCREW #10 X 1/2, A, SLOT, SR, BLACK (QTY 6)	
91	0154R00045	GASKET CONTROL PANEL	
101	0163M00004	SCREW #10X3/4" BLK (QTY 4)	
111	0161R00105	35" VENTURI CFS	
211	0121R00240PNG	LOUVER, SIDE PANEL, PNT (M1, M2)	
211	0121R00927PNG	PANEL 1, LOUVER 35_34.64 PNT (M3, M4)	
211	0121R00601PNG	PANEL 1, LOUVER 35_39.84 PNT (M5, M6)	
221	0121R00244PNG	LOUVER, SIDE PANEL, PNT (M1, M2)	
221	0121R00928PNG	PANEL 2, LOUVER 35_34.64 PNT (M3, M4)	
221	0121R00514PNG	PANEL 2, LOUVER 35_39.84 PNT (M5, M6)	
231	0121R00248PNG	LOUVER, SIDE PANEL, PNT (M1, M2)	
231	0121R00929PNG	PANEL 3, LOUVER 35_34.64 PNT (M3, M4)	
231	0121R00603PNG	PANEL 3, LOUVER 35_39.84 PNT (M5, M6)	
241	0201R00764	COIL TUBING ASSY (M1, M2)	
241	0201R00780	COIL TUBING ASSY (M3, M4)	
241	0201R00782	COIL TUBING ASSY (M5, M6)	
301	0130M00250	CONTROL, DEFROST (M3, M4, M5, M6)	
301	0130M00723	CONTROL, DEFROST (M1, M2)	
321	0151R00216	ADJUSTABLE VALVE, TXV R410A (M1, M2)	
321	0151R00230	ADJUSTABLE VALVE, TXV R410A (M3, M4)	
321	0151R00231	ADJUSTABLE VALVE, TXV R410A (M5, M6)	
NS	0163M00005P	WASHER, BLACK (.50 OD .218ID) (QTY 4)	

Expanded Model Nomenclature

- | |
|-------------------|
| M1 - DZ4SEA3630AA |
| M2 - DZ4SEA3640AA |
| M3 - DZ4SEA4830AA |
| M4 - DZ4SEA4840AA |
| M5 - DZ4SEA6030AA |
| M6 - DZ4SEA6040AA |

Compressor and Tubing Assembly

TUBING ASSEMBLY



TUBING ASSEMBLY MAY DIFFER FROM WHAT IS SHOWN

Compressor and Tubing Assembly

Ref. Part No:	Part No:	Description:	Ref. Part No:	Part No:	Description:
---------------	----------	--------------	---------------	----------	--------------

Image 1:

11	ZP31K7ETF5130	COMPRESSOR, COPELAND (M1)
11	ZP31K7ETFD130	COMPRESSOR, COPELAND (M2)
11	ZP40K7ETF5130	COMPRESSOR, COPELAND (M3)
11	ZP40K7ETFD130	COMPRESSOR, COPELAND (M4)
11	ZP51K7ETF5130	COMPRESSOR, COPELAND (M5)
11	ZP51K7ETFD130	COMPRESSOR, COPELAND (M6)
21	0163R00031	HEATER CRANKCASE 460V, 40W (M2)
21	0163R00004	HEATER CRANKCASE, 460V, 40W (M4, M6)
21	0163R00003	HEATER, CRANKCASE 230V 40W (M3, M5)
21	0163R00002	HEATER, CRANKCASE 230V, 40W (M1)
31	0159R00009	HARNESS, COMP
51	M0221641	TF SHOULDER SCREW (QTY 4)
61	B1339533	COMPRESSOR GROMMET (QTY 4)
111	0151R00071	REVERSING VALVE
121	0151L00009	ACCUMULATOR (M3, M4)
121	0151L00010	ACCUMULATOR (M5, M6)
121	B1226207	ACCUMULATOR (M1, M2)
131	0162R00056	FILTER/DRIER-BI-FLOW
141	0151R00187	BASE VALVE 3/8"
151	0151R00186	BASE VALVE 7/8"
161	0130R00056	SW-CUTOUT HI PRESS
171	0162R00007	MUFFLER 1/2 X 1/2
181	0151R00218	COMPENSATOR (M5, M6)
191	0130R00001	SW-CUTOUT LOW PRESS
211	0121R00007PNG	BASE PAN, 35.5" PNT
311	0130M00410	REVERSING VALVE HARNESS
341	0151M00104	VALVE CORE
NS	0163M00175	CAP WITH O-RING
NS	B1225022	SOLENOID COIL

Expanded Model Nomenclature

- | |
|-------------------|
| M1 - DZ4SEA3630AA |
| M2 - DZ4SEA3640AA |
| M3 - DZ4SEA4830AA |
| M4 - DZ4SEA4840AA |
| M5 - DZ4SEA6030AA |
| M6 - DZ4SEA6040AA |