

# BRIZO®

## STEAM CONTROL AND HEAD

### ■ Contemporary Round

#### STEAM CONTROL FEATURES:

- Programmable time and temperature
- Temperature range 60 °F min to 125 °F max
- Time programmable up to 60 minutes
- Digital display of ambient temperature, set temperature, and elapsed time
- 2 User presets
- Selectable RapidMist
- Patented Dual Sensor Technology: The control features dual temperature sensors that deliver extremely accurate temperature precision to smoothly regulate the steam shower environment

#### STEAM CONTROL STANDARD SPECIFICATIONS:

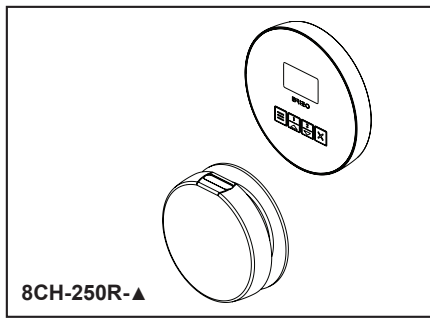
- Surface Mount - 1 1/2" hole required
- Must mount inside the steam room
- The multi-conductor cable should be run through 3/4" conduit to protect cable from damage and to facilitate easy replacement
- Mount control near seating area and not above Steam head
- Control should be mounted 48" above the floor
- Required Electrical Service: Low-voltage connection from 8GE-TSG steam generator via multi-conductor cable (supplied with steam generator)
- Model is not compatible with any of the 8SP-MU spa accessories

#### STANDARD SPECIFICATIONS:

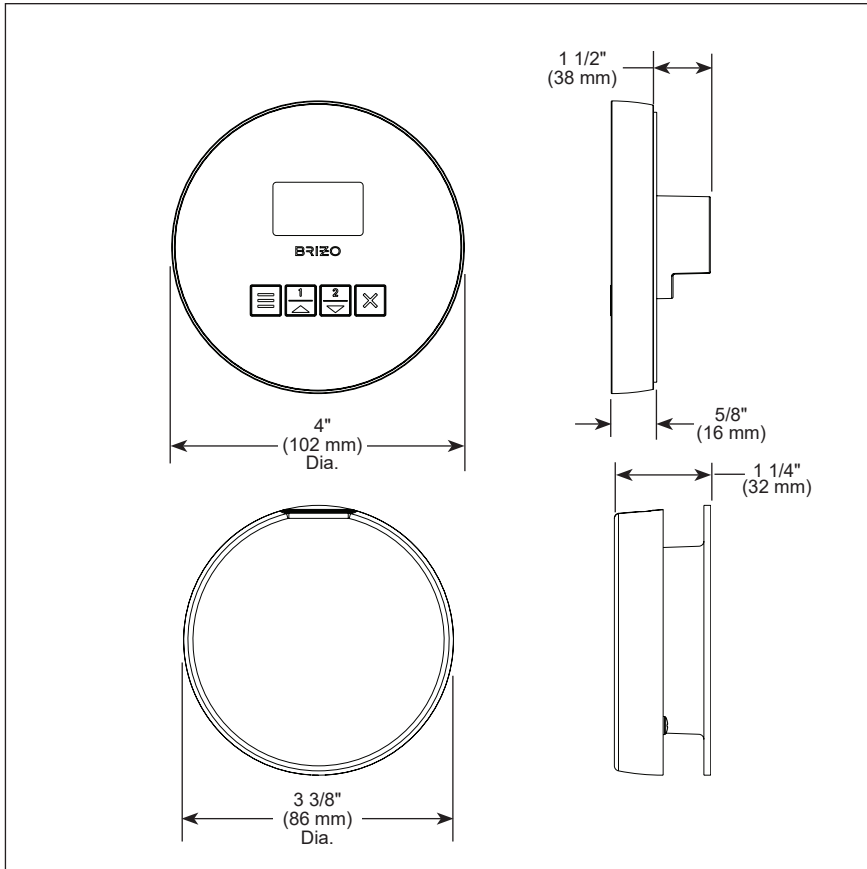
- Includes 3/4" NPT female thread for connection to steam line
- Steam line should protrude 1/4" to 1/2" from finished surface
- Steam head should be mounted 12" - 18" above the finished floor or 6" above the rim of the tub. The mounting location must also not be directly beneath the control and should be as far from the seating area as possible.
- Includes silicone cover
- Essential oil reserve on top of steam head

#### WARRANTY

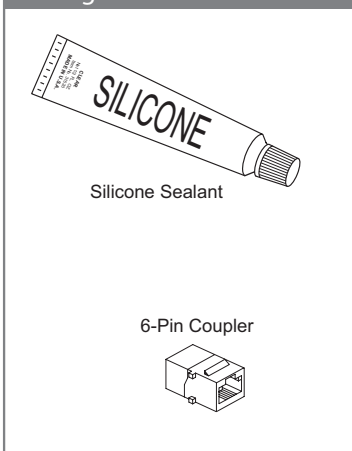
- Steam Generators – Lifetime limited warranty; or for commercial purchasers (including for steam bath generators with model numbers beginning with 8GE that are 7.5kW-15kW), one (1) year from the date the product is received by the original purchaser or their authorized representative (installation contractor, etc.).
- Electronic Parts for Steam Bath Generators, Controls, Spa Options and Accessories – two (2) years from the date the product is received by the original consumer purchaser or their authorized representative (installation contractor, etc.); or for commercial purchasers, one (1) year from the date the product is received by the original purchaser or their authorized representative (installation contractor, etc.).
- Please go to [www.brizo.com](http://www.brizo.com) for the complete details of our limited warranty.



8CH-250R-▲



#### Package Contents



▲ Designate Proper Finish Suffix

Brizo Kitchen & Bath Company reserves the right (1) to make changes in specifications and materials, and (2) to change or discontinue models, both without notice or obligation. Dimensions are for reference only. See current full-line price book or [www.brizo.com](http://www.brizo.com) for finish options and product availability.

BSP-S-8CH-250R Rev. B

**Brizo Kitchen & Bath Company**

55 E. 11th Street, Carmel, IN 46280  
350 South Edgeware Road, St. Thomas, ON N5P 4L1  
© 2024 Brizo Kitchen & Bath Company