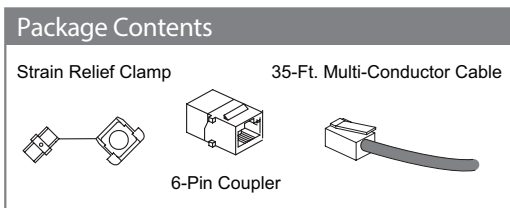
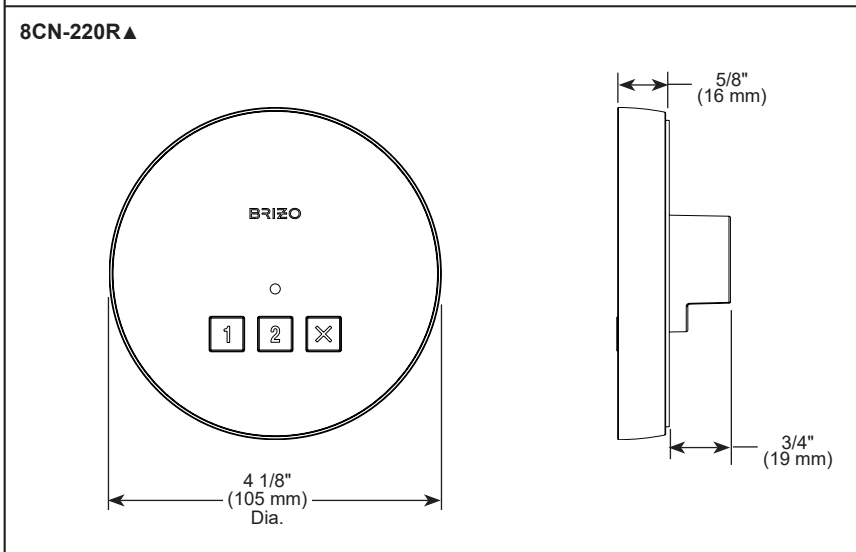
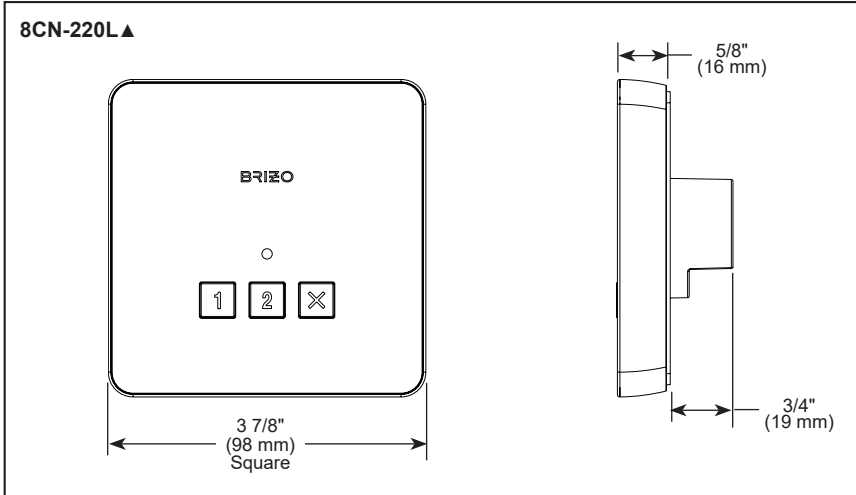
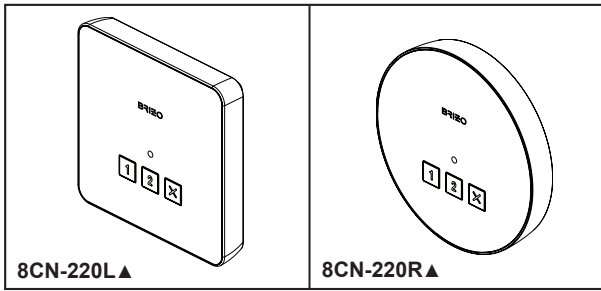


BRIZO®

AUXILIARY EXTERIOR CONTROL W/LED INDICATOR

- Linear Square (8CN-220L)
- Contemporary Round (8CN-220R)



▲ Designate Proper Finish Suffix

STANDARD SPECIFICATIONS:

- Surface Mount - 1 1/2" hole required
- Mounts on outside of the steam room and MUST be used with interior interfaces 8CB-250 or 8CH-250
- Control should be mounted 48" above the floor
- Required Electrical Service: Low-voltage connection from 8GE-TSG steam generator via multi-conductor cable (included)

WARRANTY

- Steam Generators – Lifetime limited warranty; or for commercial purchasers (including for steam bath generators with model numbers beginning with 8GE that are 7.5kW-15kW), one (1) year from the date the product is received by the original purchaser or their authorized representative (installation contractor, etc.).
- Electronic Parts for Steam Bath Generators, Controls, Spa Options and Accessories – two (2) years from the date the product is received by the original consumer purchaser or their authorized representative (installation contractor, etc.); or for commercial purchasers, one (1) year from the date the product is received by the original purchaser or their authorized representative (installation contractor, etc.).
- Please go to www.brizo.com for the complete details of our limited warranty.