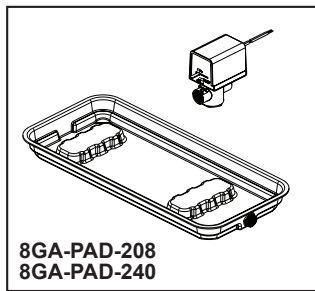


# BRIZO®

## GENERATOR PAN AND AUTO DRAIN

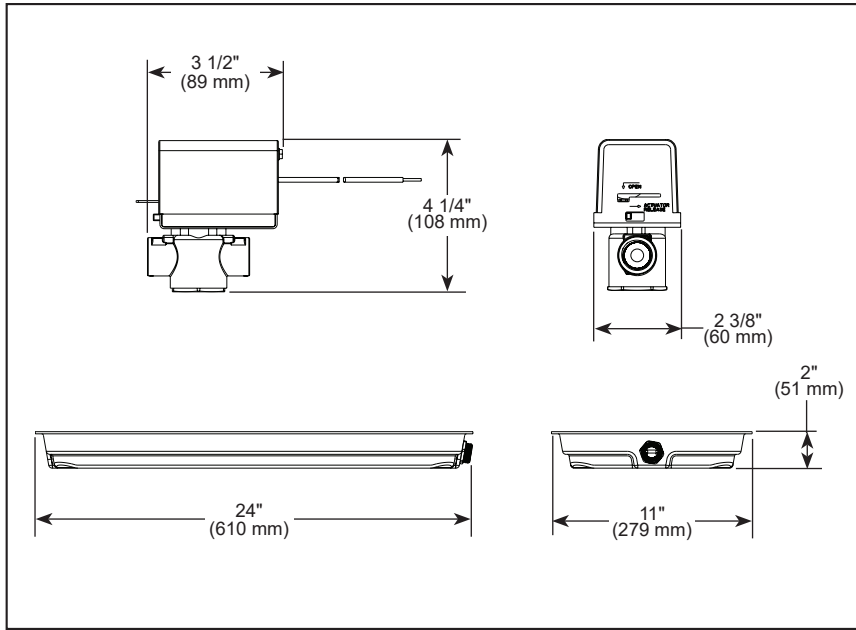


### GENERATOR PAN STANDARD SPECIFICATIONS:

- High-temp impact-resistant resin
- Package includes: Pan with 3/4" MGHT male threaded NPT and 1/2" NPT Female brass connection
- For use with 8GE-TSG series generators

### AUTO DRAIN STANDARD SPECIFICATIONS:

- Inlet & Outlet - 1/2" NPT brass female thread
- For use with 8GE-TSG series generators
- Normally Closed (N.C.) Valve



### WARRANTY

- Steam Generators – Lifetime limited warranty; or for commercial purchasers (including for steam bath generators with model numbers beginning with 8GE that are 7.5kW-15kW), one (1) year from the date the product is received by the original purchaser or their authorized representative (installation contractor, etc.).
- Electronic Parts for Steam Bath Generators, Controls, Spa Options and Accessories – two (2) years from the date the product is received by the original consumer purchaser or their authorized representative (installation contractor, etc.); or for commercial purchasers, one (1) year from the date the product is received by the original purchaser or their authorized representative (installation contractor, etc.).
- Please go to [www.brizo.com](http://www.brizo.com) for the complete details of our limited warranty.