

M-750 & M-750TG SERIES

Hot & Cold Water Mixing Hose Stations

These hot and cold systems enable the operator to manually regulate water temperature as necessary for the wash down application. The M-750, with or without temperature gauge, provides independent control of water for wash down applications where water temperature is non-critical. For applications where the water temperature is crucial and an accurate reading is essential, the M-750TG are equipped with a dial-type temperature gauge (TG) that indicates the wash water's exact temperature in both Celsius and Fahrenheit. A specially designed internal blending chamber efficiently blends hot and cold water.

The M-750 and M-750TG is constructed in all stainless steel. All models are equipped with a solid stainless steel hose rack for convenient storage. Available options for all units are:

- Wall Mounted – globe, ball, and angle valve entry
- Recessed Wall Box Units – globe and angle valve entry
- Pedestal Units – globe, ball, and angle valve entry

FLOW TEST			
WATER PRESSURE PSI	W/OUT NOZZLE	FLOW (GPM)	
		WITH M-70, S-70 SERIES & HYDRO-PRO 150 NOZZLES	WITH M-70, S-70 SERIES & HYDRO-PRO 150 LOW FLOW NOZZLES
20	4.5	3 ¼	2 ¼
30	5.4	4 ¼	2 ¾
40	6.2	5 ½	3 ¼
50	6.8	5 ¾	3 ¾
60	7.4	6 ¾	4 ⅛
70	8.2	7 ½	4 ½
80	8.6	7 ¾	4 ¾
90	9.3	8 ¼	5
100	9.8	9	5 ½

Maximum water temperature: 200°F (93°C)
Maximum working pressure range: 150 psi

ALSO AVAILABLE WITH ADDITIONAL AIR-LINE VERSION

If unit is exposed to freezing temperatures, draining or heat tracing is required.



M-750WGSS
STAINLESS STEEL
Globe Valve Top Entry



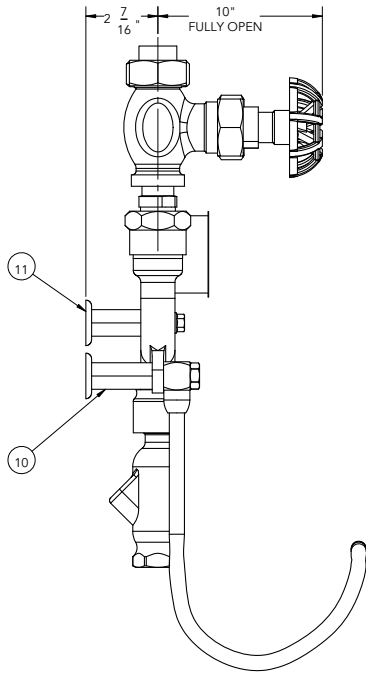
M-750TWGSS
STAINLESS STEEL
Globe Valve Top Entry with Temperature Gauge



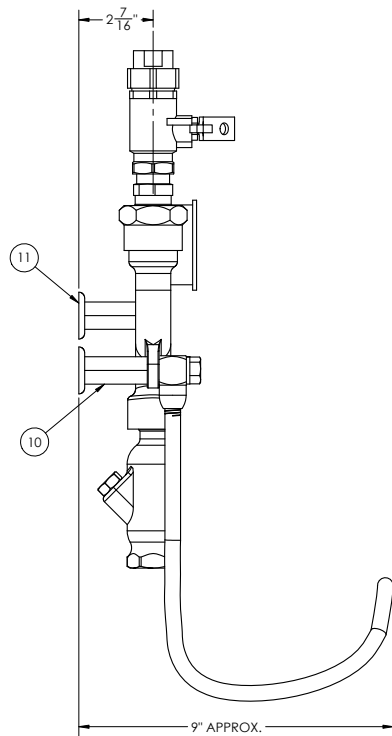
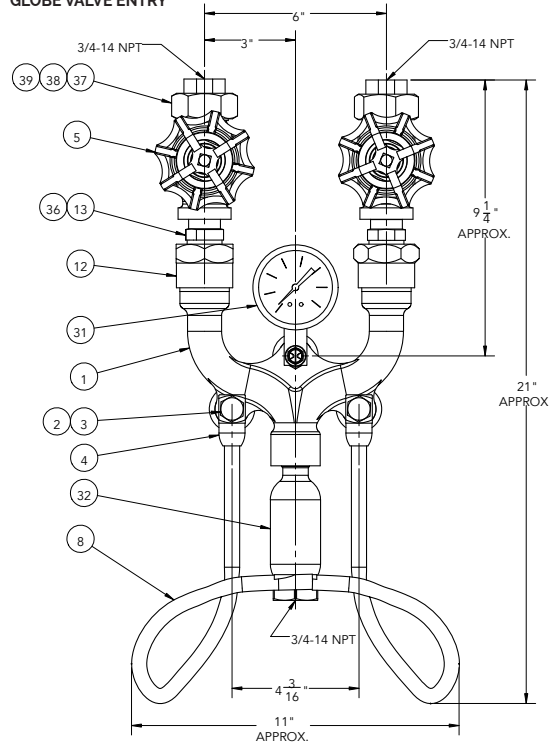
M-750WBSS
STAINLESS STEEL
Ball Valve Top Entry



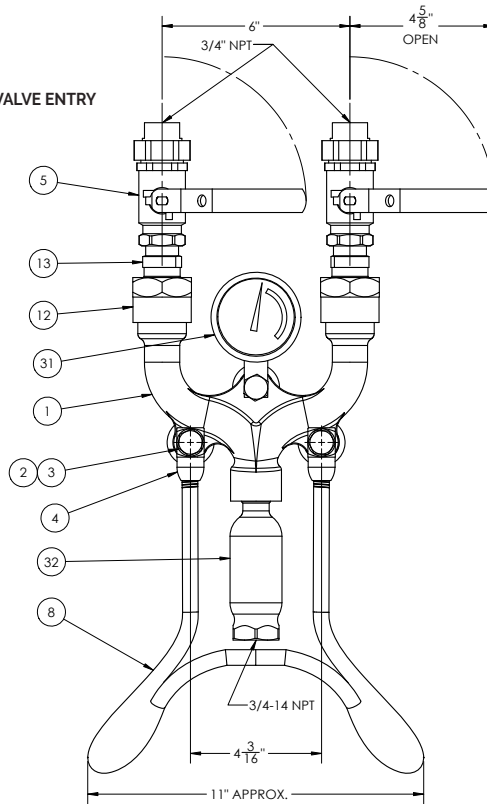
M-750TWBSS
STAINLESS STEEL
Ball Valve Top Entry with Temperature Gauge



GLOBE VALVE ENTRY



BALL VALVE ENTRY



ITEM NO.	DESCRIPTION	M-750/M-750TG STAINLESS STEEL ORDER NO. (MATERIAL)
MAIN BODY PARTS LIST		
1	BODY	M750BDFSS (ASTM 316 SS, A351 CF8M)
2	CAP SCREW (SET OF 6)	HH0050130200OZ (SST304, ASTM A276)
3	LOCK WASHER (SET OF 6)	WAT0050 (SST410)
4	HOSE RACK CONNECTOR	HRCONSS (ASTM A582 303)
5	GLOBE VALVE	SEE WEBSITE
	BALL VALVE	SEE WEBSITE
8	HOSE RACK WITH FITTINGS	HRCOMPLETE0002 (SST304, ASTM A276)
10	HEX SPACER	MUSPAC (SST416, ASTM A582)
11	WALL PLATE	THIS IS STANDARD ON THIS UNIT (SST304, ASTM A240)
12	BALL CHECK UNION NUT	BCNUTSS (SST304, ASTM A276)
13	BALL CHECK VALVE	BCSSG (SST304, ASTM A276, SST303, ASTM A582)
31	TEMPERATURE GAUGE	TGGF02 (BRASS B283, CA37700)
32	BLENDING CHAMBER	BLCHMFSS (SST303, ASTM A351)
36	BALL CHECK VALVE GASKET	BCGA (COPPER, PTFE)
37	INLET UNION NUT	GVUNUTSS (303SS, ASTM A582)
38	UNION TAIL PIECE	GVUTAILSS (304SS, ASTM A276, UNS-S3040)
39	SPIRAL WOUND UNION GASKET (SET OF 6)	GAS- W015001000063MA (304SS, C4)

© Strahman Group Published 10.25.22

StrahmanGroup.com



**STRAHMAN
GROUP**

PRECISION AND PERFORMANCE

WORLD HEADQUARTERS
2801 Baglyos Circle, Bethlehem, PA 18020
p: +1 877 787 2462 | +1 484 893 5080
e: strahman@strahman.com

USA | FRANCE | GERMANY | HONG KONG | CHINA