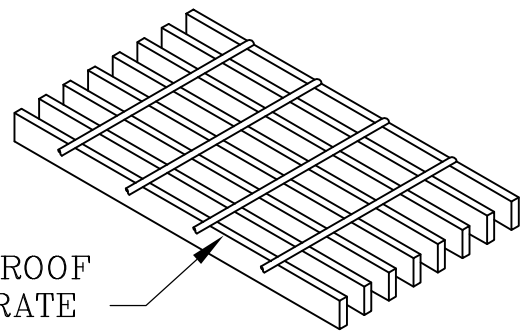


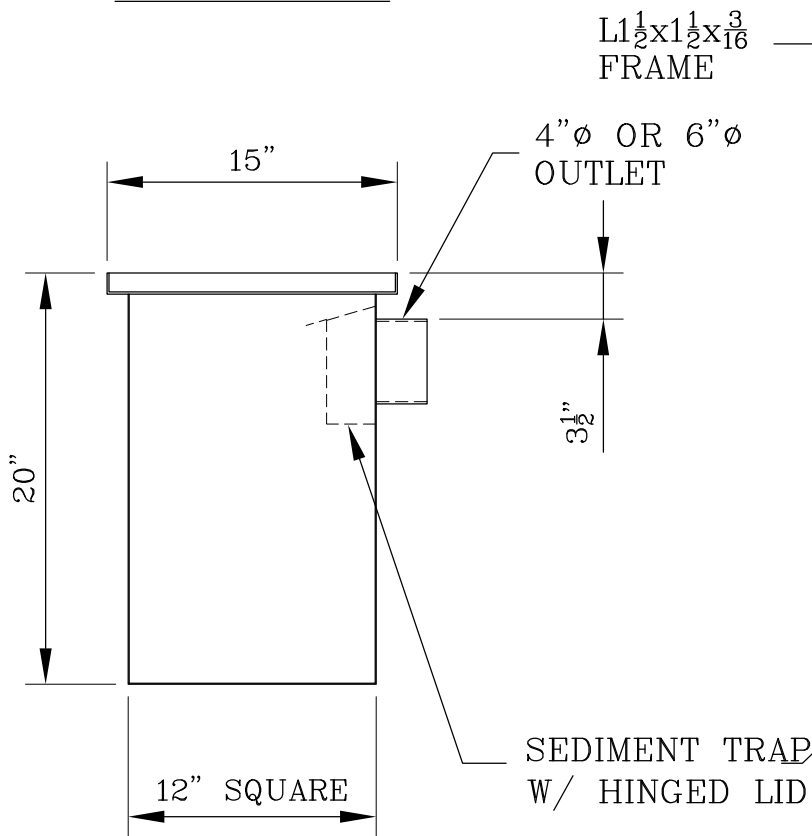
PLAN VIEW



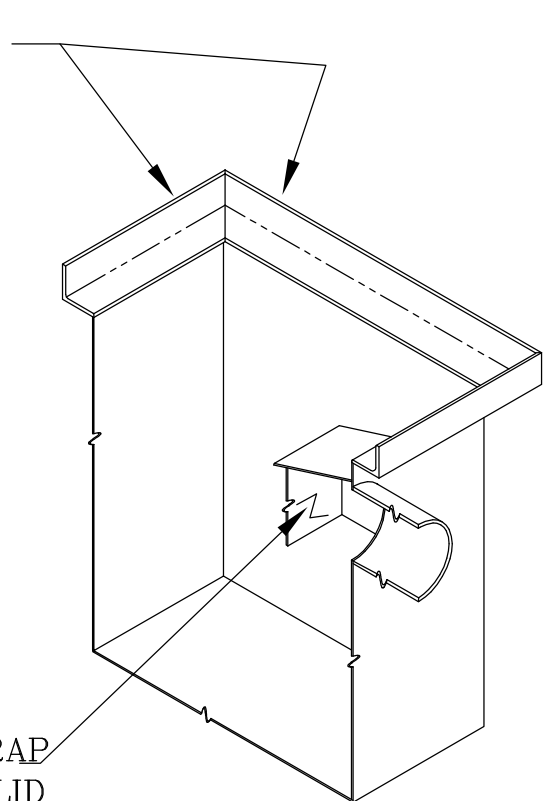
GRATING

NOTES:

BOX FABRICATED FROM  
10 GA. MATERIAL



SIDE VIEW



ISOMETRIC SECTION

STATE APPROVED — ASPHALT DIPPED



Gibson Steel Basins  
SINCE 1972

12" SQUARE — 4"  $\phi$  OR 6"  $\phi$  OUTLET

LANDSCAPING MINI-BASIN

PROJ. MAN. DOUG P.

DWN. PAUL G.

SCALE NONE

DATE: JAN. 23, 06

MODEL: GMCB10-1220HB-4&6

DWG #

**L4**