

The Homer™



Design | Technology | Innovation

 BRIGGS®



FEATURES

- Round basin
- Self-rim design
- Porcelain-enameled steel
- 2 convenient soap depressions
- Concealed front overflow
- 3-year warranty

AVAILABLE COLORS*



WHITE (130)



BISCUIT (235)



BONE (733)

* Model 3012 only available in white and bone.



SPECIFICATIONS

- Model 3002: 4" centers; consists of lavatory basin, 9 lb
- Model 3012: 4" centers with vinyl gasket; consists of lavatory basin, 9 lb

SUGGESTED FITTINGS*

Sayco-Ceram™ Lavatory Faucets

4" centers

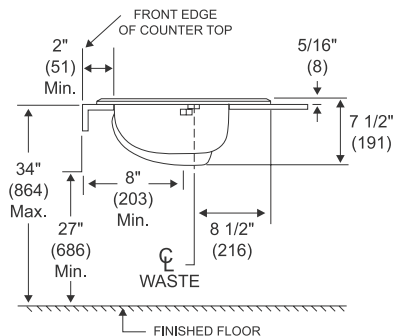
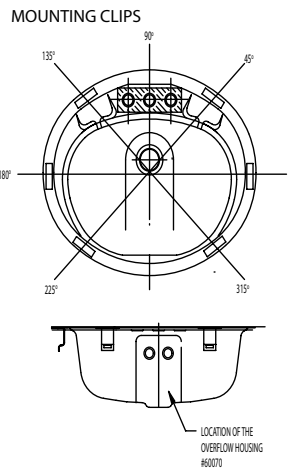
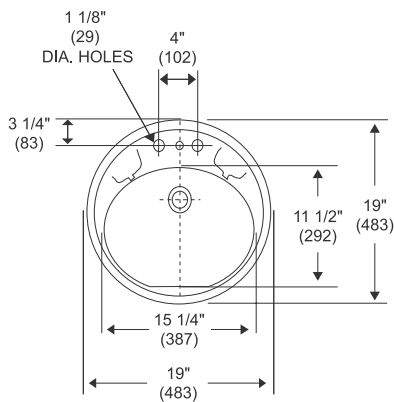
400L

432X

500

- See the Sayco® Suggested List Price Guide for available handle kits

* Fittings not included. Refer to the Sayco Catalog for more information.



Dimensions may vary (+) or (-) 1/8". Dimensions shown in parentheses are in millimeters: 25.4 mm = 1 inch. Note: Fixture dimensions are nominal and conform with dimension and performance requirements of ASME/ANSI Standards A112.19.4M. Dimensions subject to change or cancellation without notice. Briggs is not responsible for the use of superseded or voided specification information.

INSTALLATION

- Installation instructions supplied
- Self-rim design for quick installation
- Mounting clips included for easy installation
- Vinyl ring included with Model 3012 only