



POWER SERIES

Power .75HP



Submittal Sheet

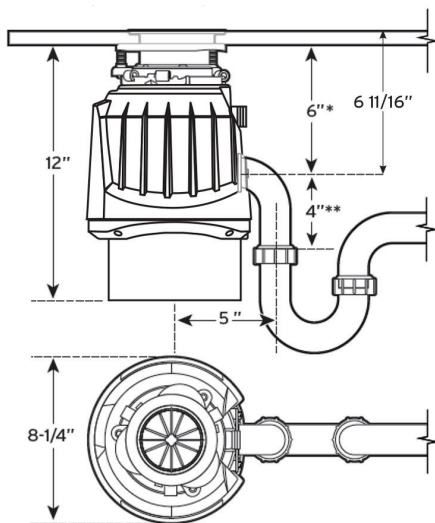
This model offers the following features and benefits:

- 3/4 HP heavy duty Dura-Drive® induction motor
- Reduced Sound is 55% quieter than the Badger® 5 disposal
- Power Grind for tough food scraps like peach pits
- 2-Stage MultiGrind® Technology: Finer grind designed to help prevent clogs¹
- EZ Connect Disposal easily connects to a hardwire connection or outlet
- Removable and dishwasher safe baffle for ease of cleaning
- Safe for use with properly maintained septic tanks
- EZ Connect Cord sold separately

Specifications

Type of Feed	Continuous
On/Off Control	Wall Switch
Motor	Single Phase
HP	3/4
Volts	120
HZ	60
Amp. (Avg. Load)	9.5
Time Rating	Intermittent
Lubrication	Permanently Lubricated Upper & Lower Bearings
Shipping Weight (Approx.)	17 lb. 14 oz.
Overall Height	12"
Motor Protection	Automatic Reset
Drain Connection	1-1/2" Cushioned Slip Joint
Dishwasher Drain Connection	Yes

Dimensions



Sample Specification

Food Waste Disposer(s) shall be InSinkErator Power .75HP continuous feed, with 3/4 HP motor, stainless steel grinding elements with two stainless steel 360° swivel lugs. Self-service wrench.

Warranty

6-Year We Come to You® In-Home Limited Warranty²



Food waste is roughly 60-95% water. By using your disposal regularly, you can help divert food waste from landfills and reduce greenhouse gas emissions. Many wastewater treatment plants are capable of converting food waste processed by your garbage disposal into renewable energy and beneficial fertilizer. Make sustainability a family affair by using your disposal. After all, the smallest changes can make the biggest impact.

Job Specifications



¹ Compared to InSinkErator® 1-stage grind.
² Visit www.insinkerator.com for warranty details.

1-800-558-5700
www.insinkerator.com

