

⚠ WARNING

1. High voltage may cause serious injury from electrical shock. Disconnect power to the furnace/air handler before starting installation.
2. Sharp edges may cause injury from cuts. Use care when cutting and handling sheet metal.

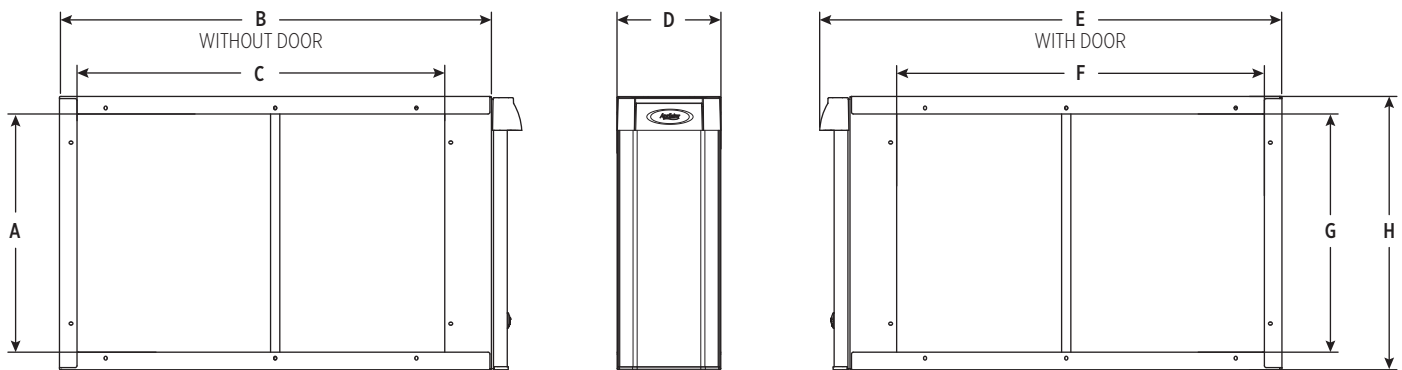
⚠ CAUTION

1. To prevent component failure, do not install the air cleaner on the warm air supply or in an area where the temperature may exceed 140°F. This may include areas above heat exchangers in downflow furnaces or above exhaust flues in lowboy furnace cold air returns.
2. Installation must be done by a qualified heating and air conditioning professional. Read instructions thoroughly before beginning installation.
3. Do not install air cleaner downstream of a UV light. UV lamps will cause degradation of the filtering media.

SPECIFICATIONS

MODEL	1510	2516
Airflow Capacity	up to 3000 CFM maximum	up to 2680 CFM maximum
Replacement Filter	Model 510, 513 or 516 with SelfSeal™	
Maximum Equipment Weight	Cabinet will support 400 lb. static load	
Air Cleaner Operating Environment	Temperature: 0°F–140°F. Humidity: 0–90% non-condensing.	

DIMENSIONS



90-1333

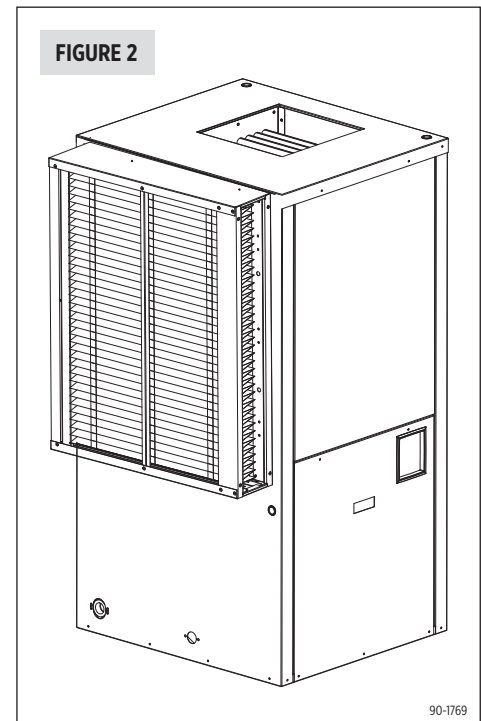
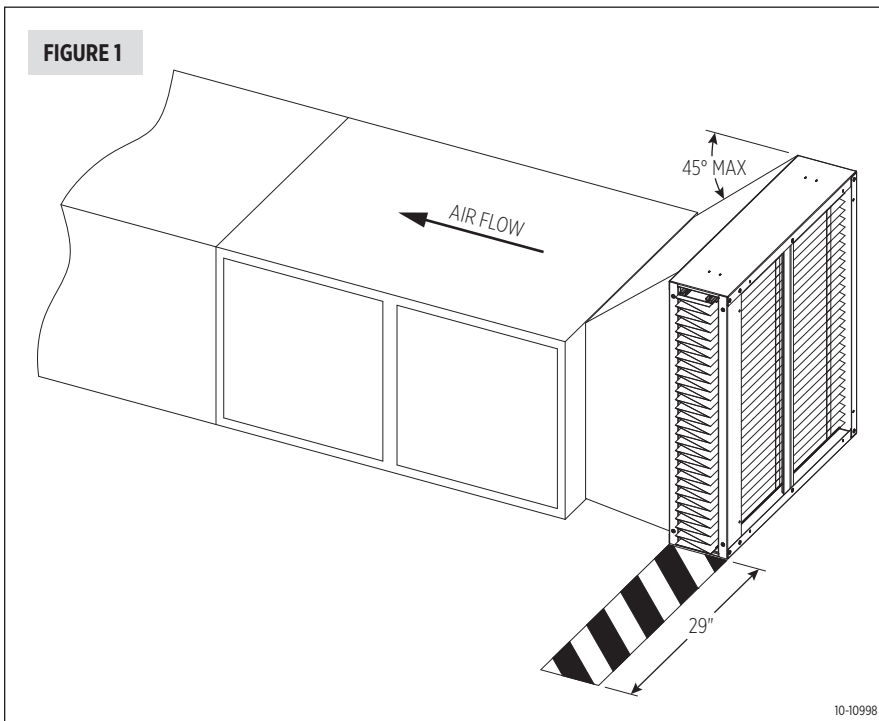
TABLE 1 – DIMENSIONS (INCHES)

Model	A	B	C	D	E	F	G	H
1510 & 2516	28-3/4	28-1/16	23-7/8	6-3/4	30-1/16	23-7/8	28-3/4	31

INSTALL THE AIR CLEANER CABINET

LOCATING THE AIR CLEANER

1. Leave sufficient space in front of the air cleaner for the removal of the filter (see **FIGURE 1**).
2. **DO NOT INSTALL DOWNSTREAM OF A UV LIGHT.** UV lamps will cause degradation of the filtering media.
3. **FIGURE 1** shows typical application of the air cleaner mounted to a horizontal system.
4. **FIGURE 2** shows the air cleaner mounted to the side of a geothermal heat pump.



INSTALLATION

1. Disconnect power to the furnace or air handler at the electrical service panel.

WARNING

120 Volts may cause serious injury from electrical shock. Disconnect power to the furnace/air handler before starting installation. Leave power disconnected until installation is completed.

2. Remove the air cleaner door from the outer housing and pull out the filter (see **FIGURE 3**).
3. If replacing an existing filter, remove the filter and thoroughly clean the blower compartment.
4. Use screws (field supplied) to mount the outer housing to the furnace/air handler. There is no inlet or outlet side on the outer housing (the outer housing can be mounted on the left or right side of the furnace/air handler).
5. Mount the return ductwork to the outer housing.
6. Seal all connections using mastic, foil tape or silicone based caulk.
7. Install the filter (see **FIGURE 4**).
8. Install the door.
9. Reconnect power to the furnace or air handler at the electrical service panel.

FIGURE 3

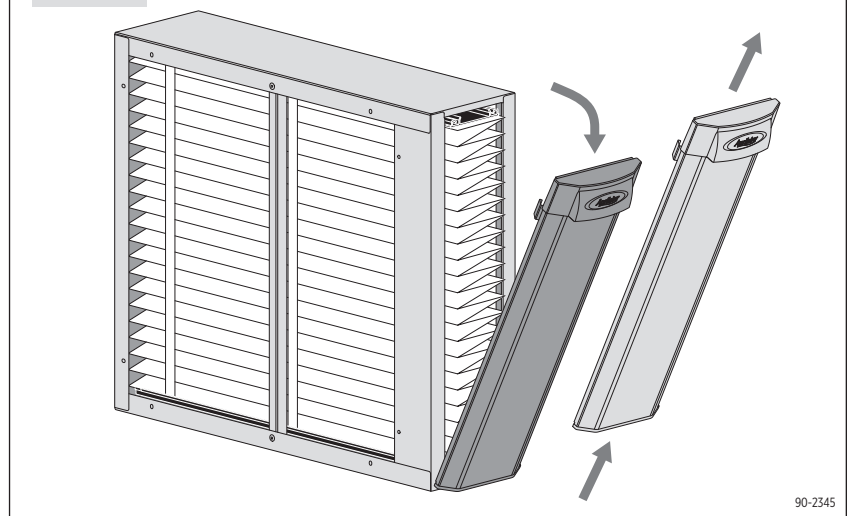
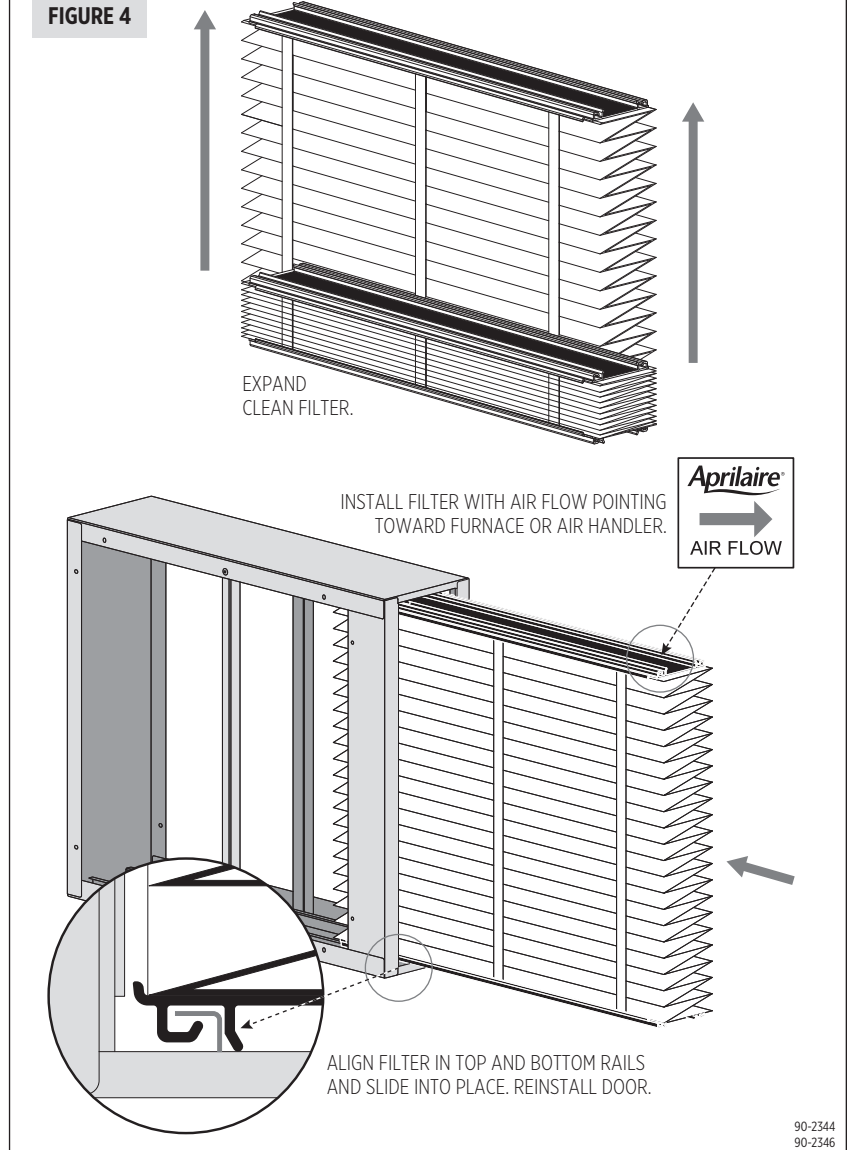


FIGURE 4



AprilairePartners.com
P.O. Box 1467
Madison, WI 53701-1467
800.334.6011 F: 608.257.4357
Printed in USA
©2020 **Aprilaire** – Division of Research Products Corporation
10012856 B2701481B 1.20

Aprilaire[®]