

Repair Parts

116.706.AB.1T

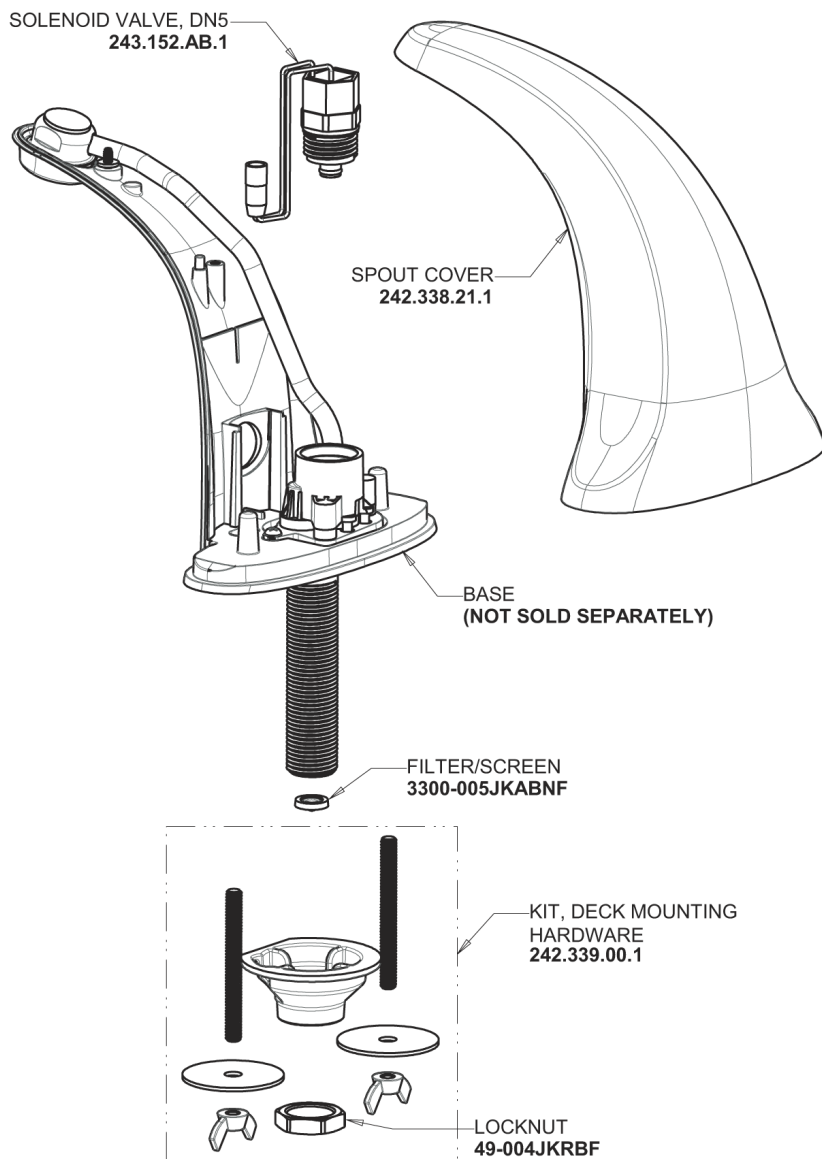
Touch-free, programmable faucet with above-deck electronics

CHICAGO FAUCETS®

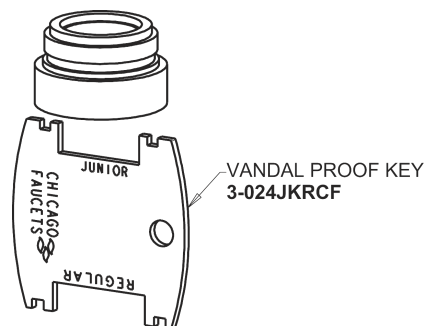
Geberit Group

E-Tronic 40 Base

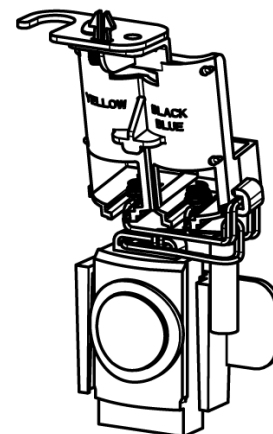
Base Parts:



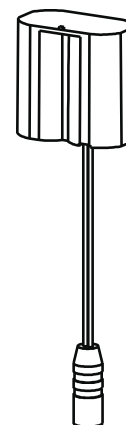
0.5 GPM (1.9 L/min) Vandal Proof
Econo-Flo Non-Aerating Spray
E2805JKABCP



Electronic Module
242.337.00.1T



AC Power Adapter
240.747.00.1



For Technical Assistance:

Phone: 800-TEC-TRUE (832-8783)

Email: techsupport.us@chicagofaucets.com

2100 South Clearwater Drive
Des Plaines, IL 60018
Phone: 847-803-5000
chicagofaucets.com