

SEFINA SINGLE-HOLE BATHROOM FAUCET

SKU: 953981

Code: SHWSCSF107



FEATURES

Installation Type: Single-Hole
Design: Modern
Material: Metal
Length: 1-15/16"
Width: 6-1/16"
Height: 6-1/2"
Base Plate Diameter: 1-15/16"
Faucet Centers: Single-Hole
Overflow Hole: Yes
Fits Drain Hole Size: 1-1/2"
Drain Included: Yes
Handle Type: Lever
Handle Length: 3-3/16"
Flow Rate: 1.2 gpm (4.5 L/min) @ 60 psi
Max. Countertop Thickness: 3"
Height To Spout: 3-5/8"
Spout Reach: 4-3/4"
Swivel Spout: No
Handle Height: 6-1/2"
Ceramic Disc Cartridges: Yes
Hot and Cold Indicators: No
Handle Material: Metal
Weight: 5

ASME A112.18.1/CSA B125.1

NSF/ANSI 372

NSF/ANSI 61

NSF/ANSI/CAN 61

NSF/ANSI/CAN 61-9:Q≤1

CEC Listed

WaterSense by IAPMO

Massachusetts Accepted



REVISED 3/28/2024

SEFINA SINGLE-HOLE BATHROOM FAUCET

SKU: 953981

Code: SHWSCSF107

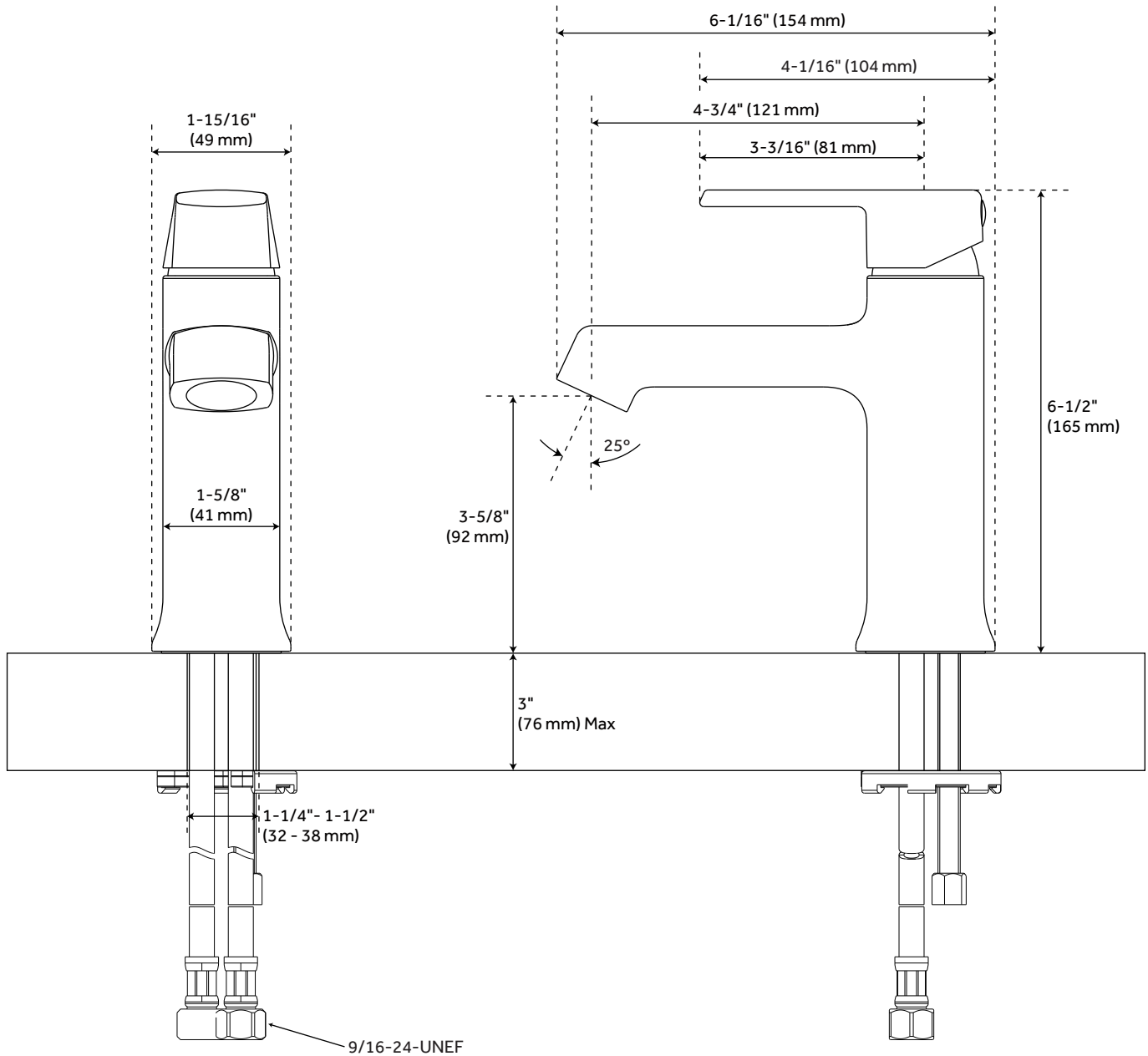


ADDITIONAL FEATURES

- Metal construction for ultimate strength and durability.
- Drain is compatible with sinks that have an overflow hole.
- Included deck plate can convert faucet from a single-hole installation to a 4" centerset.

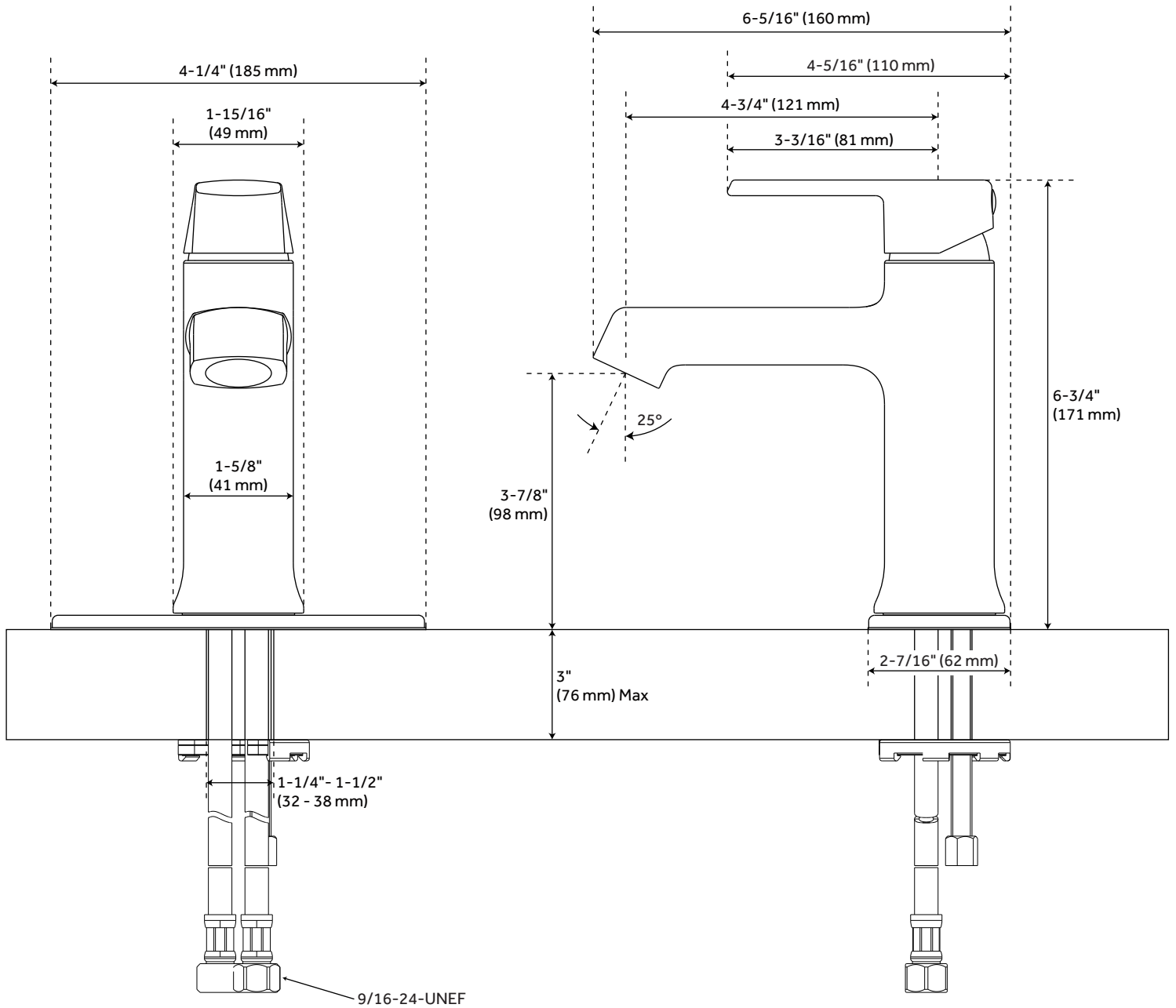
REVISED 3/28/2024

SEFINA SINGLE-HOLE BATHROOM FAUCET



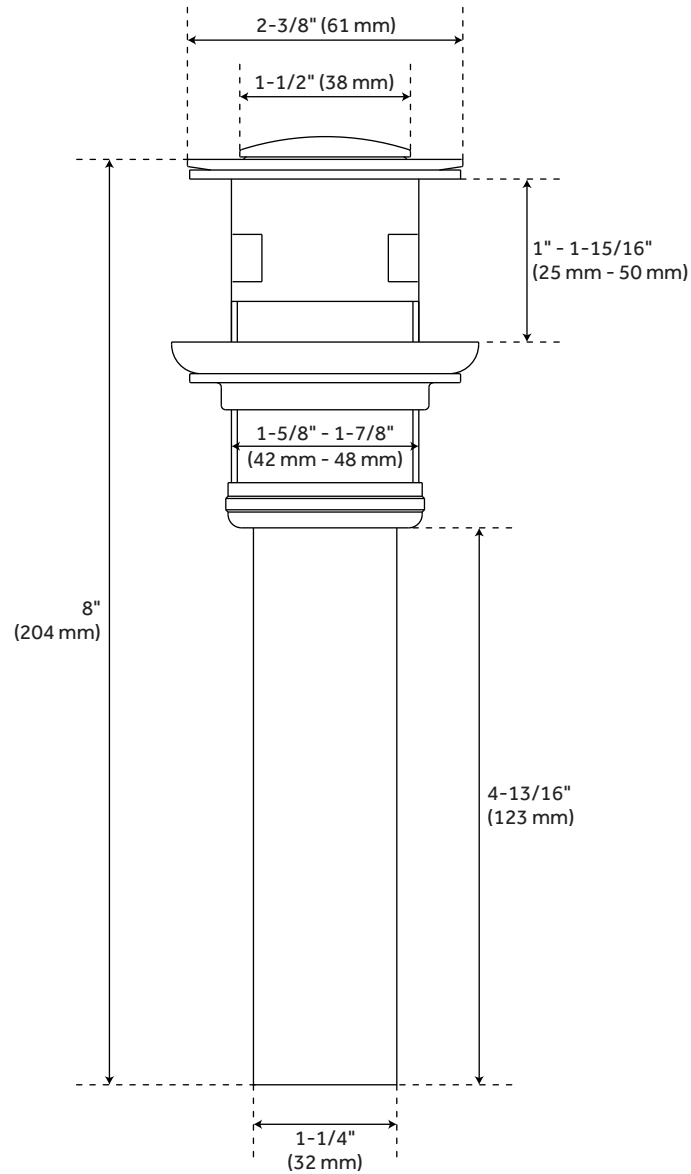
All dimensions and specifications are nominal and may vary. Use actual products for accuracy in critical situations.

SEFINA SINGLE-HOLE BATHROOM FAUCET WITH DECKPLATE



All dimensions and specifications are nominal and may vary. Use actual products for accuracy in critical situations.

SEFINA SINGLE-HOLE BATHROOM FAUCET POP-UP DRAIN



All dimensions and specifications are nominal and may vary. Use actual products for accuracy in critical situations.