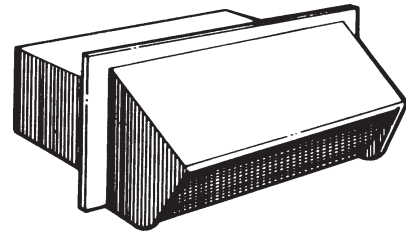
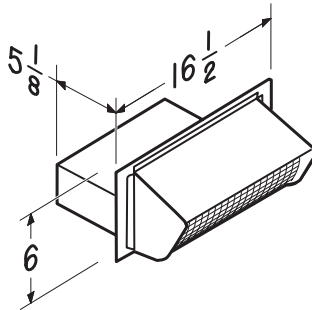


### WALL CAPS



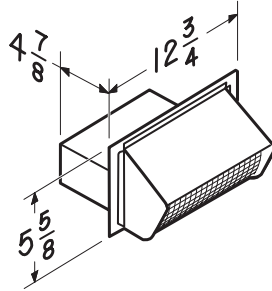
#### Model WC638

- For 3 1/4" x 14" duct
- Spring-loaded backdraft damper and bird screen
- 26 GA CRCQ Steel, black finish



#### Model 639

- For 3 1/4" x 10" duct
- Spring-loaded backdraft damper and bird screen
- 24 GA CRCQ Steel, black electrically-bonded epoxy finish

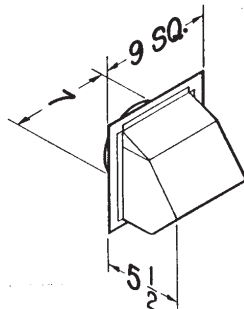


#### Model 649

- Same features as Model 639
- .025 Aluminum - natural finish

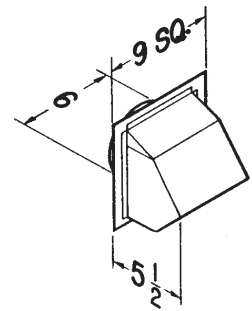
#### Model 647

- For 7" round duct
- Spring-loaded backdraft damper and bird screen
- .025 Aluminum - natural finish



#### Model 843BL

- For 6" round duct
- Spring-loaded backdraft damper and bird screen
- 22 GA CRCQ Steel, black electrically-bonded epoxy finish

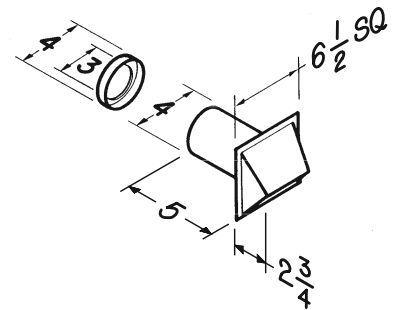


#### Model 641

- Same features as Model 843BL
- .025 Aluminum - natural finish

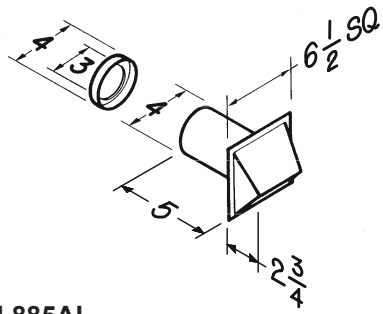
#### Model 885BL

- For 3" or 4" round duct (4" to 3" transition included)
- Spring-loaded backdraft damper and bird screen
- 24 GA CRCQ Steel, black electrically-bonded epoxy finish



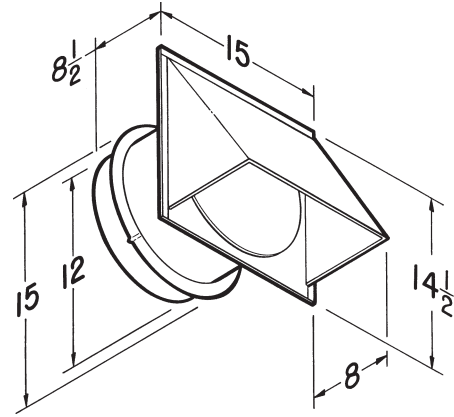
Broan-NuTone LLC, 926 West State Street, Hartford, Wisconsin 53027 (1-800-637-1453)

REFERENCE	QTY.	REMARKS	Project
			Location
			Architect
			Engineer
			Contractor
			Submitted by <span style="float: right;">Date</span>



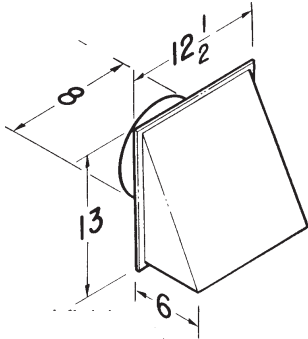
**Model 885AL**

- For 3" or 4" round duct (4" to 3" transition included)
- Spring-loaded backdraft damper and bird screen
- .025 Aluminum - natural finish



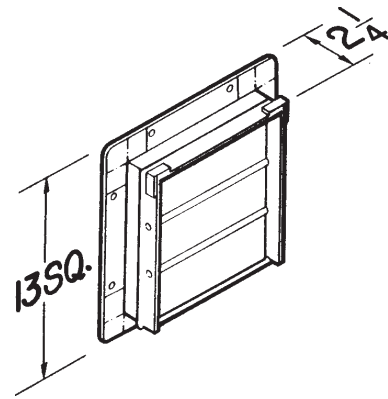
**Model 613**

- For 12" round duct
- High capacity
- Built-in backdraft damper and bird screen
- .025 Aluminum - natural finish



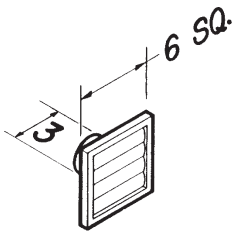
**Model 643**

- For 8" round duct
- Built-in backdraft damper
- .025 Aluminum - natural finish



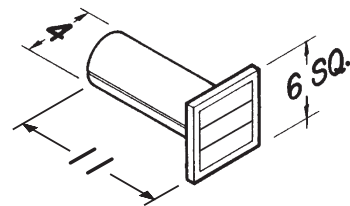
**Model 441**

- Gravity dampers
- Collar with bird screen for attaching 10" round duct
- 24 GA CRCQ steel construction with aluminum louvers



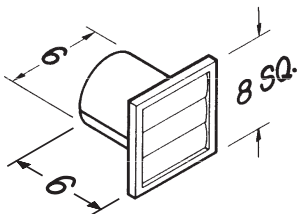
**Model 645**

- For 3" round duct
- Polymeric construction - white finish



**Model 646**

- For 6" round duct
- Polymeric construction - white finish



**Model 450 Flexible Wall Ducting Kit**

- Includes 5 ft. of 4", flexible, vinyl ducting, 4" diameter metal duct connector, 2 duct clamps, 4" to 3" reducer and a polymeric louvered wall vent

**Model WVK1A Flexible Wall Ducting Kit**

- Includes 5 ft. of 4", flexible, 2-ply metallic laminate ducting, 4" diameter metal duct connector, 2 duct clamps, 4" to 3" reducer and a polymeric louvered wall vent
- Duct conforms to UL181 Class 1 air connector requirements
- Not recommended for dryer venting