



**WITHOUT  
YOU  
THERE IS  
NO US.**



# **Water Works Catalog**

January 11, 2022 - Revised July 2024



# Table of Contents

	Page
Customer is the Boss, Trade Customs, Freight Program and Adders & Options .....	6-9
Insert Stiffeners, Adapters & Plugs .....	10
Lead to No-Lead Adapters .....	11

## Engineering

Engineering .....	13-74
General Information .....	14-22
Corporation Stops .....	23-27
Service Saddles .....	28-33
Curb Stops .....	34-35
Curb Boxes .....	36
Service Fittings .....	37-39
Meter Valves .....	41
Back Flow, Single & Dual Checks .....	42-46
Unmeasured Flow Reducer - UFR .....	47-49
Copper Meter Resetters .....	50-51
Copper Meter Setters .....	52-55
Copper Meter Insetters .....	56-57
Pit Setters .....	58-61
Meter Box Frames & Covers .....	62-66
Iron Yokes .....	67-68
Meter Boxes .....	69-74

## Corporation Stops

Corporation Stops .....	75-102
General Information .....	76-81
Ball Style - AWWA Inlet .....	82
Ball Style - MNPT Inlet .....	83
Ball Style Curb/Corps with Removable Tee Heads .....	84-85
Ball Style Curb/Corps with Non-Removable Tee Heads .....	86-87
Ball Style - Threaded Outlet .....	88
Insulated Corp Stops .....	89
Ball Style with Dielectric Bushings .....	90
Plug Style - AWWA Inlets .....	91
Plug Style - MNPT Inlets .....	92
Plug Style - Threaded Outlets .....	93
73120 & 73120B Adapters .....	94-97
Parts & Accessories .....	98-102

## Service Saddles & Repair Clamps

Service Saddles .....	103-152
3801 AWWA / 3802 FNPT .....	104
3891 AWWA / 3892 FNPT .....	105
3893 AWWA / 3894 FNPT .....	106
3897 AWWA / 3898 FNPT .....	107
3805 AWWA / 3806 FNPT .....	108
3895 AWWA / 3896 FNPT .....	109
3808 FNPT .....	110
3809 AWWA / 3810 FNPT .....	111
3815 AWWA / 3816 FNPT .....	112-113
3825 AWWA / 3826 FNPT .....	114-115
3835 AWWA / 3836 FNPT .....	116-117
3845 AWWA / 3846 FNPT .....	118-119

3855 AWWA / 3856 FNPT .....	120-121
4815A, 4816A, 4825A, & 4826A .....	122-123
4835A, 4836A, 4845A, 4846A, 4855A, & 4856A .....	124-126
4835AU, 4836AU, 4845AU, 4846AU, 4855AU, & 4856AU .....	126-127
73875 AWWA / 73876 FNPT .....	128
73885 AWWA / 73886 FNPT .....	129
428UDL Snap Clamps .....	130
428QDL Wrap Clamps .....	131
428USL Snap Clamps .....	132
428QSL Wrap Clamps .....	133
8403 TECK® Saddles .....	134-135
78423 Corp Saddles .....	136
425, 435, 825, 835, 1625, & 1635 TECK® Repair Clamps .....	137-147
8600 Series .....	148
Brass Bushings & Plugs .....	149
General Information .....	150-152

## Curb Stops & Meter Valves

Curb Stops .....	153-192
General Information .....	154
Straight Ball Valves .....	155-166
Repair Straight Ball Valves .....	157
Blow-Off Ball Valves .....	167-168
Stop & Drain Ball Valves .....	169-171
Ball Valves Right Open .....	172-173
Straight Ball Valves - Minneapolis Pattern .....	174-178
Repair Straight Ball Valves - Minneapolis Pattern .....	176
Angle Valves .....	179-181
Angle Meter Valves .....	181-185
Straight Meter Valves .....	186-188
U-Branches & Assemblies with Valves .....	189-192

## Curb Boxes

Curb Boxes .....	193-204
Small Arch Pattern Base .....	194-195
Large Arch Pattern Base .....	196
Minneapolis Pattern Base .....	197-198
Telescoping Curb Box .....	199
Lids & Accessories .....	200
Shut-Off Rods .....	201
Accessories .....	202
Cast Iron Repair Couplings .....	203

## Service Fittings

Service Fittings .....	205-254
Straight MNPT Adapters .....	206-207
Straight MNPT Repair Adapters .....	208
Straight FNPT Adapters .....	209-210
Straight FNPT Adapters with Plug .....	211
Straight Female Flare Adapters .....	212-213



	Page
Straight Couplings .....	214-222
Straight Couplings w/Internal Pipe Stop .....	223
Di-Electric Straight Assemblies .....	224
Elbows .....	225-234
Tees .....	235-240
U-Branches .....	241-242
Y-Branches .....	243-245
Nuts & Gaskets .....	246-249
CTS Compression Nuts & Gaskets .....	250-251
Accessories .....	252-253

## Meter Couplings

Meter Couplings .....	255-266
Meter Couplings - Straight .....	256-258
Meter Couplings - 90° Angle & 45° Angle .....	259-260
Oval Meter Flange .....	261
Round Flanges - 3", 4", & 6" .....	262
Oval Flanged - 1/4 Bends .....	263
Accessories & Gaskets .....	264
Meter Bushings & Adapters / Oval Meter Flange Adapters .....	265

## Back Flow, Single & Dual Checks

Back Flow, Single & Dual Checks .....	267-286
701 & 7101 Inline Single Check Valve .....	268-269
702 Angle Single Check Valve .....	270-271
711 Inline Dual Check Valves .....	272-275
711X Inline Dual Check Valves .....	276
712 Angle Dual Check Valves .....	277-278
712 Oval Flanged Angle Dual Check Valves .....	279
7111 Inline Accessible Dual Check Valves .....	280-281
7112 Inline Dual Check Valves .....	282-283
7312 Angle Cascading Dual Check .....	284
7411 Inline Y Pattern Cascading Dual Check .....	285

## Unmeasured Flow Reducer (UFR)

Unmeasured Flow Reducer (UFR) .....	287-302
7201 Meter Couplings .....	288-289
7201 5/8" Meter - Change-Out Kit .....	290
7201C Straight Couplings .....	291-293
7202 Angle Single Check & Non-Check Valve .....	294-295
7211 Inline Dual Check .....	296-298
7212 Angle Dual Check .....	299-300
7214 Inline Accessible Dual Check .....	301-302

## Copper Meter Resetters

	Page
Copper Meter Resetters .....	303-324
710 Series .....	304-306
Sampling Station .....	307-309
717 Series .....	310-311
718 Series .....	312-313 / 320-321
719 Series .....	314-315
768 Series .....	316-317
758 Series - Crab Style & Inverted Tandem Resetter .....	318
758 Series - Inline Tandem Resetter .....	319
Gaskets, Meter Bushings, Adapters .....	322-323
Tandem Options .....	324

## Copper Meter Setters

Copper Meter Setters .....	325-382
Meter Setters Adders / Options .....	326
Model Configurator .....	327
Horizontal Setters	
720, 721, 722, 723, 724, 725, 726, 727, 728 & 729 .....	328-349
Vertical Setters	
730, 731, 732, 737, 738 Series .....	350-359
Horizontal/Vertical Setter 739 Series .....	360-361
Flexible 760 & 762 Series .....	362-363
Line 770 Series .....	364-367
720 Series No-Rise .....	369
Horizontal	
720, 721, 722, 723, 724, 725, 726 Series (1 1/2" & 2") .....	372-377
Vertical 730, 731, 732, 739 Series (1 1/2" & 2") .....	378-381
Idlers & Gaskets .....	382

## Copper Meter Insetters

Copper Meter Insetters .....	383-404
740 Series "C" Style .....	384-388
741 Series "K" Style .....	389-392
742 Series "H" Style .....	393-395
743 Series "M" Style .....	396-397
Union End Pieces .....	398
744 Series "PU" Style .....	399
745 Series "PZ" Style Left Offset .....	400
746 Series "PZ" Style Right Offset .....	401
749 Series - Inline Tandem .....	402-403

## Pit Setters

Pit Setters .....	405-432
715 & 716 Series Riser Only .....	407-409
780 Series - Riser Pit Assembly .....	410-416
783 Series - Iron Yoke Pit Assembly .....	417-420
7180 Series - Flat Lid Pit Assembly .....	421-424
790 Series - Coil Pit Assembly .....	425-428
795 Series - Top Adjustable Coil Pit .....	429
90L Series - Flat Lids .....	430-431
Typical Installation .....	432

# Table of Contents

	Page
<b>Meter Pit Frames &amp; Covers</b>	
Meter Pit Frames & Covers .....	433-444
74MA "A" Style .....	434
74MC "C" Style .....	435
74MW "W" Style .....	436
74M Monitor Style .....	437
74MPR "PR" Style .....	438
74R "R" Style .....	439
Extension Rings .....	440
90L Series Pit Lids .....	441
Accessories .....	442
Cover Options .....	443

<b>Iron Yokes</b>	
Iron Yokes .....	445-468
Yoke Bars .....	446
Expansion Connection / Check Valves .....	447
714U Yoke Expander .....	448-449
UFR for Iron Yoke .....	450-451
Wrenches, Star Nuts & Gaskets .....	452
Angle Yoke Valves - Plug Style .....	453-454
Angle Yoke Valves - Standard Port .....	455-456
Angle Yoke Valves - Full Port .....	457
Straight Yoke Valves - Ball Style .....	458-459
Yoke Couplings - Quarter Bend .....	460-461
Yoke Couplings - Straight .....	461
Female Yoke - Quarter Bend .....	462
Female Yoke - Straight Adapters .....	462
Angle Yoke Style Single Check Valves .....	463
Inline Yoke Style Dual Check Valves .....	464
Inline Accessible Dual Check .....	464
Angle Yoke Style Dual Check Valves .....	465-466
U-Branch Assemblies for Iron Yokes .....	467
Iron Yoke Packages & Assemblies .....	468

<b>Meter Boxes</b>	
Meter Boxes .....	469-495
772 "G" Series - Single Box .....	470-471
772 "G" Series - Double Box .....	472-475
773 "G" Series - Double Box .....	476-477
775 Series - 5/8" or 5/8" x 3/4" Meter .....	478-482
775 Series - 1" Inch Meter .....	483
776 Series - Long Yoke Box .....	484-487
776 Series - 1" Meter .....	488-489
776 Series - Accessories .....	490
777 Series .....	491-492
Pro Meter Box 79 & 779 Series .....	493-494
Accessories .....	495

# A.Y. McDonald Mfg. Co.'s New Interactive Digital Product Catalogs

Be the first to navigate A.Y. McDonald Mfg. Co.'s new system/service that takes static PDFs to interactive digital catalogs. This upgraded catalog system brings more functionality to the process, can be viewed on all devices, and you are no longer required to download a massive PDF document (although this is still an option)!



## DCatalog Library



You can access the new digital catalogs in the same spot as they've always been. Simply [visit aymcdonald.com](http://aymcdonald.com), click on 'Support', then click on 'Resources', and then click 'Catalogs'.

- Toggle between single and double page views based on preferences
- Download individual pages or page ranges to share or save
- Add notes throughout the catalog to keep track of comments, questions, and product options
- Send individual catalog pages directly to emails or post on social media with single click
- Crop images or specific pieces of catalog information to share, download, or print.
- View page thumbnails for faster access to specific product sections
- Use the arrows, bookmarks or table of contents tab to make navigation a breeze



**MEET THE TEAM THAT DOES IT ALL**  
**WE TAKE CARE OF CUSTOMERS**  
**BETTER THAN ANYONE ELSE.**  
**Let us make your life easier!**





## MISSION STATEMENT

*The mission of A.Y. McDonald Mfg. Co. in the words of our founder is*

**“To make good products and to sell them honestly.”**

*We, the stockholders and employees, accomplish this by extending the McDonald family culture through excellent customer service and by focusing on our customers’ needs.*

## WHO’S THE BOSS?

Here’s a question I’ll bet you could ask a thousand working people and never get the right answer. The question is: **“Who’s The Boss?”**

There’s only one boss, and whether a person shines shoes for a living or heads up the largest corporation in the world, the boss remains the same. **It’s The Customer!**

The customer is the person who pays everyone’s salary and who decides whether a business is going to succeed or fail. The customer doesn’t care if a business has been around a hundred years. The minute it starts treating them badly, the customer will put it out of business.

This boss, the customer, has bought and will buy everything you have or will ever have. The customer has bought all of your clothes, your home, your car, your children’s education, and your vacation. They pay all of your bills and they pay them in exact proportion to the way you treat them.

The man who works deep inside a big plant on an assembly line might think he’s working for the company that writes his pay check, but he is not. He’s working for the person who buys the product at the end of the line, the customer. In fact, this customer can fire everyone in the company from the president on down. And they can do it by simply spending their money someplace else. This is one of the reasons why taking pride in the work we do is so important to us personally. Doing an exceptionally good job will not only bring joy and satisfaction, it will help get more customers, keep the ones we’ve got, and ensure that we continue to get a pay check from our bosses.

Some of the largest companies that had flourishing businesses a few years ago are no longer in existence. They couldn’t - or didn’t - satisfy the customer. They forgot who the boss really was!

**At A.Y. McDonald we remind ourselves every day that the customer is the boss. It’s one of our core values and the reason we provide the best customer service in the business.**



**CONTROLLING PROVISIONS:** These terms and conditions supersede all previous terms and conditions and shall control any sale by A.Y. McDonald Mfg. Co. ("Seller"). No alteration or waiver of these terms and conditions shall be valid unless specifically accepted in writing by an authorized representative of Seller.

**PRICES:** Billing prices are those in effect at the time the order is shipped. All prices are subject to change without notice. Possession of a price sheet shall not be construed as an offer to sell. Seller reserves the right to reject any order.

**TERMS: 2% 10th Prox., Net 25th** (A 2% cash discount can be taken if paid via ACH/wire on the 10th of the month following the shipment. The month is defined as the 26th through the 25th. For example, a February 25th invoice is due 2% on March 10th, a February 26th invoice is due 2% April 10th, and all invoices are due net the 11th and considered past due on the 26th of the month. No cash discount is available for check payment). Without open credit terms, payment may be required prior to shipping. A 2% monthly service charge (or the maximum amount permitted by law) may be applied to the balance of any past-due invoice. Buyer shall pay any necessary collection fees, including reasonable attorney fees.

**TAXES:** Any sales tax, use tax, manufacturer tax, duty, or other cost imposed by any government entity shall, at Seller's option, be added to the purchase price and payable by buyer. Buyer must certify any tax exemption and agree to indemnify Seller against any tax imposed contrary to such certification.

**FREIGHT:** All prices are F.O.B. Seller's factory, with full freight allowed within the contiguous United States and Canada on the orders that qualify pursuant to the Freight Program schedule. Seller reserves the right to select the carrier and route of shipment and to ship at the most economical rate. All extra charges for special handling or delivery services will be paid for by the buyer. Terms for shipment outside the contiguous United States and Canada shall be established on a case-by-case basis.

**"LIMITED WARRANTY** Subject to the limitations stated herein, A.Y. McDonald Mfg. Co. ("Seller") warrants that water service products manufactured by Seller shall be free from defects in material and workmanship and shall perform the services for which they are intended when properly installed, under normal use, and under ordinary conditions, for a period of ninety (90) days from the date of shipment from Seller's factory. This Limited Warranty does not cover or apply to plumbing products, high pressure gas products, or pumps or pump accessories manufactured by Seller. Buyer must notify Seller in writing of a potentially defective product as soon as possible and not later than ninety (90) days from the date of shipment from Seller's factory. Upon receipt of such notice, Seller shall, at its option and at its expense, examine such product at Seller's factory or such other location as Seller shall determine. Should Seller agree to a return of the product, buyer shall follow in every respect the packaging and transportation instructions provided by Seller. In no case shall a product be returned without first obtaining the permission of Seller. If a product is proven to the satisfaction of Seller to be defective, then Seller shall, at its option and at its expense, repair or replace such product or reimburse buyer for the price paid by buyer for such product. The cost of shipping to buyer a repaired or replaced product shall be paid by Seller on the same shipping terms as the original shipment of such product to buyer. Except as stated herein, buyer shall assume all responsibility and expense for any dismantling, removal, reinstallation, and shipping in connection with this Limited Warranty, and no claims will be allowed for labor, shipping, materials, or other costs incident to the repair, replacement, or return of a product.

**THIS LIMITED WARRANTY IS THE ONLY WARRANTY PROVIDED BY SELLER AND IS MADE IN LIEU OF ALL OTHER WARRANTIES, EXPRESS OR IMPLIED, INCLUDING BUT NOT LIMITED TO THE IMPLIED WARRANTIES OF MERCHANTABILITY AND FITNESS FOR A PARTICULAR PURPOSE.**

**SELLER'S LIABILITY IS LIMITED TO REPAIR, REPLACEMENT, OR REIMBURSEMENT AS PROVIDED ABOVE, AND IN NO EVENT SHALL SELLER'S LIABILITY EXCEED THE PURCHASE PRICE OF THE PRODUCT(S) INVOLVED. THIS LIMITED WARRANTY PROVIDES THE EXCLUSIVE REMEDY AGAINST SELLER FOR CLAIMS RELATING TO PRODUCTS, WHETHER IN CONTRACT, IN TORT (INCLUDING NEGLIGENCE), OR UNDER ANY OTHER LEGAL THEORY, AND WHETHER ARISING OUT OF WARRANTIES, REPRESENTATIONS, INSTRUCTIONS, OR DEFECTS FROM ANY CAUSE. IN NO EVENT SHALL SELLER BE LIABLE FOR OR OBLIGATED TO PAY ANY CONSEQUENTIAL, INCIDENTAL, SPECIAL, INDIRECT, OR PUNITIVE DAMAGES OF ANY KIND.**

**THIS LIMITED WARRANTY EXTENDS ONLY TO BUYERS WHO PURCHASE SELLER'S PRODUCT(S) DIRECTLY FROM SELLER ("ORIGINAL PURCHASERS"), INCLUDING DISTRIBUTORS, WHOLESALE, UTILITIES, AND CONTRACTORS. THIS LIMITED WARRANTY IS NOT ASSIGNABLE OR OTHERWISE TRANSFERABLE BY THE ORIGINAL PURCHASER TO ANY OTHER PARTY. SELLER EXTENDS NO WARRANTY, EXPRESS OR IMPLIED, INCLUDING BUT NOT LIMITED TO THE IMPLIED WARRANTIES OF MERCHANTABILITY AND FITNESS FOR A PARTICULAR PURPOSE, TO "CONSUMERS," AS THAT TERM IS DEFINED IN THE MAGNUSON-MOSS WARRANTY ACT (15 U.S.C. SECTIONS 2301 ET SEQ.) AND THE REGULATIONS PROMULGATED THEREUNDER. IN NO EVENT SHALL THE DURATION OF ANY IMPLIED WARRANTY OF MERCHANTABILITY OR FITNESS FOR A PARTICULAR PURPOSE BE LONGER THAN THE NINETY (90) DAY PERIOD PRESCRIBED HEREIN.**

This Limited Warranty shall not apply to product failure or defect: due to a defect in the design, engineering, or installation of any water, gas, or other system; where the product has been modified without the prior written authority of Seller; caused by the failure to install or use the product in conformity with any instructions or specifications provided by Seller; caused by the improper installation, use, application, maintenance, repair, transportation, handling, or storage of the product; caused by the fault or negligence of anyone other than Seller or any other act or event beyond the control of Seller. Seller makes no warranties as to any products or product parts or components that are not manufactured by Seller. The limitations of liability contained in this Limited Warranty shall be effective without regard to Seller's performance or failure or delay of performance under any other term or condition of any trade customs, warranty, or other agreement. No employee, representative, or agent of Seller, nor any other person, has authority to assume or incur on behalf of Seller any liability, obligation, or responsibility in place of or in addition to this Limited Warranty."

**CLAIMS:** Inspect all shipments immediately upon receipt, examining products for damage and verifying quantity. Any claim of damage, shortage, or non-conformance must be made in writing within 5 business days of receipt of goods (any claim of damage or shortage must be noted on the Freight Carrier's signed delivery receipt).

**ORDERS:** Seller is not responsible for and shall not be held liable for damages resulting from delays or failures in shipment, nor shall Seller be liable for any delay or failure to provide goods where occasioned by any force majeure event, including without limitation: strikes and other labor disputes; fires; acts of God; floods, snowstorms, tornados, and other storms; unusually severe inclement weather conditions; fuel, energy, carrier, or material shortages or embargoes; war; terrorism; civil disturbances; acts of civil or military authority; court order or decree; partial or complete destruction of factory or other facility; acts of buyer; inability to obtain or retain fuel, energy, carriers, materials, facilities, or labor without litigation or the payment of penalties or unreasonable prices or the acceptance of unreasonable terms and conditions; and any other cause beyond Seller's control.

**RETURNS:** Goods cannot be returned without the prior written approval of Seller. Return freight must be prepaid by buyer. After inspecting the returned goods, Seller may impose upon buyer: (1) a handling and restocking charge equal to a minimum of 25% of the invoiced cost of the returned goods; and, in addition thereto, (2) any costs required to put the goods in like-new condition. All credit memos are subject to cash discount terms as defined in our standard terms.

**CANCELLATION:** The contract resulting from Seller's acceptance of Buyer's order cannot be cancelled, terminated, or modified by Buyer, in whole or in part, except upon Seller's prior written approval.

**INVOICING:** Minimum invoice charge of \$56.00 (does not apply to Plumbing Products).

**NON-STOCK PRODUCTS:** Non-stock products (i.e., customized or non-standard products) may require a minimum order and buyer should make prior inquiry to Seller. Once production has begun, orders for non-stock products cannot be cancelled without the prior written approval of Seller. Seller will not accept the return of non-stock products.

**CONSTRUCTION:** All sales, contracts, and offers to buy or sell, all rights, remedies and duties of all persons, and the construction and effect of all provisions hereof, shall be governed by and construed according to the laws of the State of Iowa.



**WARNING:** It is unlawful in CALIFORNIA & VERMONT (effective 1/1/2010); MARYLAND (effective 1/1/2012); LOUISIANA (effective 1/1/2013) and the UNITED STATES OF AMERICA (effective 1/4/2014) to use any product in the installation or repair of any public water system or any plumbing in a facility or system that provides water for human consumption if the wetted surface area of the product has a weighted average lead content greater than 0.25%. This prohibition does not extend to service saddles used in California, Louisiana or under USA Public Law 111-380. **WARNING:** This product can expose you to chemicals including lead, which is known to the State of CALIFORNIA to cause cancer and birth defects or other reproductive harm. For more information go to: [www.P65Warnings.ca.gov](http://www.P65Warnings.ca.gov).

# Freight Program

## I. PRODUCT GROUP QUALIFICATION LEVELS

Freight will be prepaid and allowed by Seller on orders that meet or exceed the following net prices or unit qualifiers (net prices reflect list prices less applicable discounts):

1. High Pressure Gas (may be combined with plumbing Valves) ..... \$2,500.00 Net
2. Water Service Products (may be combined with Curb Boxes, Pumps, Pump Accessories, Plumbing Valves, Frames & Covers, HPG, and Yoke Boxes) ..... \$7,000.00 Net
3. Pumps ..... 12+ units
4. Plumbing Products (may be combined with Pump Accessories) ..... \$1,300.00 Net
5. Tanks ..... 24+ units (may be 24 units in combination with Jets and Submersibles)
6. Pit Setters . . . 15" diameter – 216 units  
18" diameter – 120 units  
21" diameter – 96 units  
24" diameter – 72 units  
30" and 36" diameter – 24 units

## II. ADDITIONS

Once an order qualifies for freight in **any** product group, other products on your order ride free (excluding Tanks and Pit Setters). However, additions to freight allowed orders will **NOT** be allowed once the original order is on board or a partial shipment has been made against the original order.

**Freight qualifiers are subject to change without notice.**

---

## ABBREVIATIONS / DEFINITIONS

<b>AWWA</b>	American Water Works Association Standard Thread / Corporation Cock, this thread has a steeper taper than Male National Pipe Threads
<b>CTS</b> Suffix -22, T, Q, G, & H	Copper Tube Size, copper tube (type K or L) or copper tube size polyethylene (ASTM D2737 SDR 9) or Polybutylene (ASTM D2666 SDR 9), insert stiffeners are required when using polyethylene or polybutylene.
<b>FFLR</b>	Female Copper Flared Connection Thread / inside thread, includes copper gasket.
<b>FLR</b>	Flared end with nut, for use with copper tube
<b>FNPT</b>	Female National Pipe Thread / inside tapered thread
<b>IP</b> Suffix -55	Iron Pipe / Galvanized Iron Pipe (not threaded)
<b>IPS or PEP</b> Suffix -33, -3H, -3G, -3Q	I.D. based polyethylene pipe, for use with polyethylene (ASTM D2239 SIDR 7) or Polybutylene (ASTM D 2662 SIDR 7), insert stiffeners are required when using polyethylene or polybutylene.
<b>IPS or PEP</b> Suffix -34	I.D. based polyethylene pipe, for use with polyethylene (ASTM D2239 SIDR 9), insert stiffeners are required when using polyethylene.
<b>MFLR</b>	Male Copper Flared Connection Thread / outside thread
<b>MNPT</b>	Male National Pipe Thread / outside tapered thread
<b>PE</b>	Polyethylene
<b>PVC</b> Suffix -44	Polyvinyl Chloride, ridged plastic pipe, Schedule 40 or 80 only (ASTM D1785)
<b>S</b>	-66 Strong Lead
<b>XS</b>	-67 Extra Strong Lead
<b>XXS</b>	-68 Double Extra Strong Lead

**NOTE: Materials meet or exceed A.W.W.A. standard C-800.**



**THERMAL EXPANSION WARNING** - Creating a "closed" condition in a hot water system with the installation of a non-return barrier (such as a Check Valve or Backflow Preventer between the system piping and the public supply) can result in extreme pressure rises caused by thermal expansion and/or water hammer. This thermal expansion can damage piping, valves, and other Components in the system. The installation of a pressure relief device or thermal expansion tank can avoid possible damages.



These symbols are used throughout this price list to indicate adders and other product options.

▼ **C903 = ALUMINUM CORE PE**

For 3/4" or 1" C903, Change **Q** to **K** in model number. Add **\$33.10** -3/4"; **\$45.53** -1" per end connection.  
**Not available in other size or configurations except 3/4" or 1" Q.**

■ **REWTR = RECLAIMED WATER**

For **reclaimed water**, at end of Model Number, add **RWT** (for reclaim water **tag**) and **\$21.54** list.  
**RWC** (for reclaimed water **cast**) and **\$9.74** to non-lockwing version or **\$5.07** to lockwing version. Contact factory.

❖ **McGrip**

Available in McGrip Series Compression, CTS-G replaces Q, PEP -3G replaces -3Q

★ **LFLN = LESS FLARE NUT**

Deductions for purchasing "less nut" - prices are per each. Add "L" to end of model number.

COPPER TUBE FLARE NUT SIZE	LIST DEDUCTION	CTS COMPRESSION	LIST DEDUCTION
1/2".....	-\$3.55	4700-22 1/2".....	-\$6.25
3/4".....	-\$5.79	*4700-22 3/4".....	-\$6.80
1".....	-\$9.52	*4700-22 1".....	-\$10.48
1 1/4".....	-\$15.31	*4700-22 1 1/4".....	-\$18.24
1 1/2".....	-\$26.58	*4700-22-12 1/2".....	-\$22.11
2".....	-\$49.50	*4700-22-12 2".....	-\$31.08
		*4700-22-16 1 1/2".....	-\$22.13
		*4700-22-16 2".....	-\$31.12
		4700-22FT 1 1/2".....	-\$31.73
		4700-22FT 2".....	-\$41.83

\*You can switch out "4700-22" with "4700Q".

○ **TW - TRACER WIRE** For Pentagon lid type curb boxes with ability to attach tracer wires - add TW to model number.  
 i.e. 5607LR becomes 5607LRTW - add **\$4.19** to list price.

**BALL VALVE HANDLES**

For ball valves with HANDLES, add the following to model number and list price:

**Stainless Handle**

ADD TO MODEL NO.	BALL SIZE	ADD TO LIST PRICE
HDL	5/8" valves.....	\$8.86
HDL	3/4" & 1".....	\$9.82

**Brass Handle**

ADD TO MODEL NO.	BALL SIZE	ADD TO LIST PRICE
HDLB	5/8" valves.....	\$8.86
/SHDLB	3/4" & 1".....	\$8.86
HDLB	3/4" & 1".....	\$9.82
/SHDLB	1 1/2" & 2".....	\$23.37
FHDL	Fixed Handle	
	5/8".....	\$4.66
	3/4" & 1".....	\$5.24
	1 1/2" & 2".....	\$38.51
T Handle	3/4" & 1".....	\$15.77

**Handy-Loc**

CTS	PEP
3/4 = H - \$4.44 per end	3/4 = -3H \$5.91 per end
1 = H - \$5.91 per end	1 = -3H \$8.86 per end

Add "9" to model number.  
 Ex: 76101 becomes 761019

**ADDITIONAL OPTION ADDERS FOR BALL VALVES  
 NO-LEAD OFFERING - CONTACT FACTORY FOR MORE INFORMATION.**

**360° Rotation** - Add **\$2.96** list. Increase fourth digit of model number by "1". Example: 76100 becomes 76110 or 74642B becomes 74652B  
**4604BLPS** - Short barrel lock sleeve - **\$15.95**

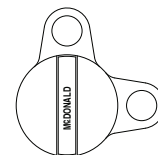
**Lockwing** - Adder **\$4.66** or **\$9.34** for double lockwing. Not available on all models, contact factory.

**Cap** - Replacement cap and screw for "CAP" version corporation stops, on all sizes - **\$23.50**.

**Anode** - For Flare, Q, & -3Q series anode nut add "A" to model #, add **\$13.32** to each end.

**\*\* NON-STOCK**

Components to assemble may be stock items. Contact factory for availability.  
 Contact factory for availability of BSPT (British Standard Pipe Thread) - male and female.



Double lockwing option

# Insert Stiffeners, Adapters & Plugs

## Insert Stiffeners

Insert Stiffeners required on all flexible plastic connections  
Materials meet or exceed AWWA standard C800

**6131T • PLASTIC**  
For copper tube  
size polyethylene



Sizes: 3/4", 1"  
POLYETHYLENE - ASTM D2737 SDR 9 - TUBE SIZE  
PEX TUBING - ASTM F876 - SDR 9 - CSA B137.5  
POLYBUTYLENE - ASTM D2666 SDR 9 - TUBE SIZE - CLASS 250

**6133T • STAINLESS STEEL**  
For copper tube size  
polyethylene



Sizes: 3/4", 1", 1 1/4", 1 1/2", 2"

**6136 • STAINLESS STEEL**  
For ID PEP SDR7 & 9 controlled



Sizes: 3/4", 1", 1 1/4", 1 1/2", 2"  
POLYBUTYLENE -  
ASTM D2662 SDR 7 - or  
POLYETHYLENE - ASTM D2239  
SIDR 7 & 9 - PIPE SIZE

**6137 • STAINLESS STEEL**  
For OD controlled  
PEP SDR9



Sizes: 3/4", 1", 1 1/4", 1 1/2", 2"  
POLYETHYLENE - ASTM D3035  
SDR 9 - OD CONTROLLED  
PIPE SIZE

**6138 • STAINLESS STEEL**  
For OD controlled  
PEP SDR11



Sizes: 3/4", 1", 1 1/4", 1 1/2", 2"  
POLYETHYLENE - ASTM D3035  
SDR 11 - OD CONTROLLED  
PIPE SIZE

### 6131T Plastic

Part No.	Size	Carton PCS/WT	Price
4130-249	3/4"	50/1	\$2.23
4130-250	1"	50/1	\$3.08

### 6133T Stainless Steel

Part No.	Size	Carton PCS/WT	Price
4130-759	3/4"	50/2	\$3.16
4130-760	1"	50/3	\$3.35
4130-761	1 1/4"	50/3	\$4.11
4130-762	1 1/2"	50/5	\$4.61
4130-763	2"	50/6	\$4.61

### 6136 Stainless Steel

Part No.	Size	Carton PCS/WT	Price
4130-764	3/4"	50/3	\$3.56
4130-765	1"	50/4	\$4.11
4130-892	1 1/4"	50/5	\$6.10
4130-893	1 1/2"	50/6	\$4.61
4130-894	2"	25/4	\$7.35

### 6137 Stainless Steel

Part No.	Size	Carton PCS/WT	Price
4131-834	3/4"	50/3	\$3.16
4131-835	1"	50/4	\$3.35
4131-836	1 1/4"	25/3	\$6.72
4131-837	1 1/2"	25/4	\$7.20
4132-949	2"	25/4	\$8.14

### 6132-11

Package - 6133T, 6136,  
6137 & 6138

Part No.	Size	Carton PCS/WT	Price
4125-127	3/4"	1/1	\$16.00
4125-128	1"	1/1	\$17.73
4125-157	1 1/4"	1/1	\$29.56
4125-176	1 1/2"	1/1	\$28.36
4125-217	2"	1/1	\$32.48

### 6138 Stainless Steel

Part No.	Size	Carton PCS/WT	Price
4129-067	3/4"	50/3	\$3.16
4129-068	1"	50/4	\$3.35
4129-069	1 1/4"	25/3	\$6.72
4129-070	1 1/2"	25/4	\$7.20
4129-071	2"	25/5	\$8.14

### 6133CTS Drawn SS

Part No.	Size	Carton PCS/WT	Price
4140-602	3/4"	50/2	\$3.16
4140-603	1"	50/2	\$3.34
4140-607	1 1/4"	50/2	\$4.11

### 6136PEP Drawn SS

Part No.	Size	Carton PCS/WT	Price
4140-606	3/4"	50/2	\$3.56

## Compression Adapters & Plugs

### 74692

Converts 3/4" CTS Compression to 3/4" Flare  
Converts 1" CTS Compression to 1" Flare  
Converts 1 1/4" CTS, & 1" PEP Compression  
to 1 1/4" Flare

Part No.	Size	Carton PCS/WT	Price
5121-093	3/4"	25/3	\$23.17
5121-094	1"	10/3	\$28.84
5121-483	1 1/4"	10/5	\$171.06

### 74692Q

Reducing Adapter Q CTS x CTS

Part No.	Size	Carton PCS/WT	Price
5123-078	1" x 3/4"	1/1	\$52.76

### 74692T

Reducing Adapter T CTS x CTS

Part No.	Size	Carton PCS/WT	Price
5123-077	1" x 3/4"	1/1	\$52.76

### 74692CPLL-12

Converts 1 1/2" CTS - Reduced Weight  
Compression to 1 1/2" Flare

Part No.	Size	Carton PCS/WT	Price
5121-484	1 1/2"	10/21	\$155.86

### 74692CPLL-16

Converts 1 1/2" CTS - Corp Only 16 Pitch  
Thread Compression to 1 1/2" Flare

Part No.	Size	Carton PCS/WT	Price
5121-485	1 1/2"	10/20	\$155.86

### 74692PEP

Converts 3/4" PEP  
Compression to 1" Flare

Part No.	Size	Carton PCS/WT	Price
5121-486	3/4"	10/3	\$28.84

### 74693

Compression Endcap

Part No.	Size	Carton PCS/WT	Price
5123-057	3/4"	1/25	\$53.09
5125-218	1"	1/80	\$85.95
5125-211	1 1/4"	1/25	\$99.19

### 74693-16

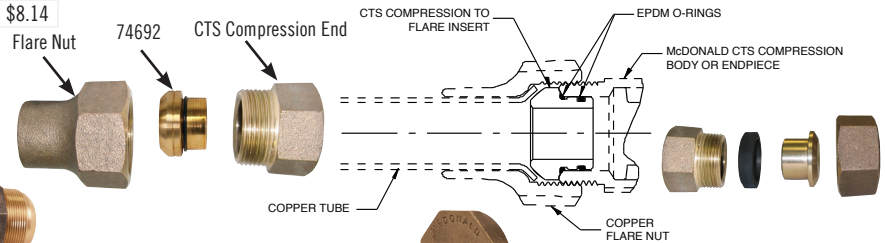
Corp Only

Part No.	Size	Carton PCS/WT	Price
5125-209	1 1/2"	1/25	\$127.62
5125-207	2"	1/30	\$167.98

### 74693-12

Compression Endcap

Part No.	Size	Carton PCS/WT	Price
5125-210	1 1/2"	1/25	\$127.62
5125-208	2"	1/30	\$167.98




# Lead to No-Lead


Our water infrastructure consisted primarily of lead-based service lines just a century ago, which is exactly how old many of our country's underground pipes are. Today as a 162 year old industry leader, A.Y. McDonald has altered our product line throughout the years, into a completely no-lead product line today. This includes all parts that come in contact with potable water.

U.S. cities used A.Y. McDonald products **then** and they continue to use them **now**. The most effective lead pipe replacement methods involve an upgrade from the corporation stop to the meter. With more service fittings and connection options than any other water works manufacturer, you can trust A.Y. McDonald to provide the most customizable product solutions to keep your city's drinking water at top quality. When cities and municipalities take advantage of A.Y. McDonald no-lead water service brass, we can all work together to eliminate lead from our drinking water for good!


Corporation Stop with Special Purpose Outlet Thread and Internal Driving Thread



**A:**  
O.D.



4749GSKT



**B:**  
I.D.


**“A” - Valve Male Thread O.D.**

Valve Size	O.D. Thread Size - Approx.
5/8"	1 1/16"
3/4"	1 1/4"
1"	1 1/2"


**“B” - Female Thread Adapter I.D.**

Union Nut Size	I.D. Thread Size - Approx.
5/8"	1"
3/4"	1 3/16"
1"	1 7/16"

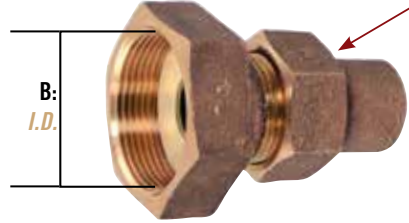
Corporation Stop with Extra Strong Lead Flange Outlet



**A:**  
O.D.



4742LFGSKT



**B:**  
I.D.

**“A” - Valve Male Thread O.D.**

Valve Size	O.D. Thread Size - Approx.
1/2"	1 1/2"
5/8"	1 5/8"
3/4"	1 7/8"
1"	2 1/4"

**“B” - Female Thread Adapter I.D.**

Union Nut Size	I.D. Thread Size - Approx.
1/2"	1 3/8"
5/8"	1 9/16"
3/4"	1 3/4"
1"	2 1/16"

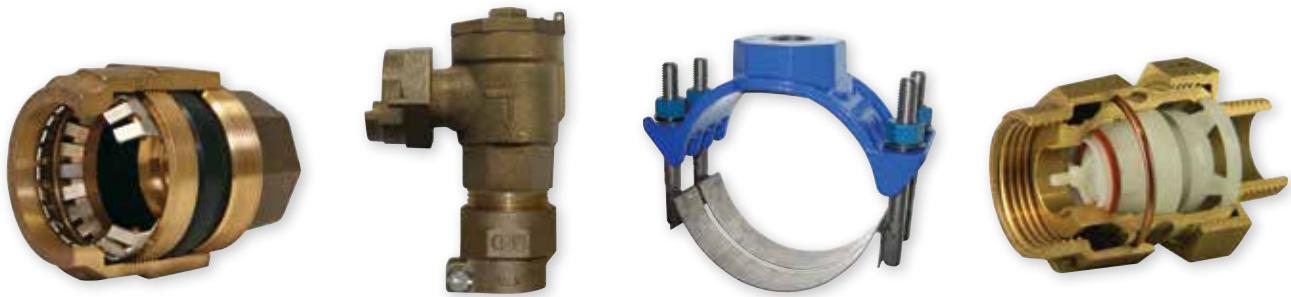
Although there are many potential configurations of old and outdated service line connections, here are a few of the common ones you may run into. For assistance contact our customer service department at 1.800.292.2737.







**WITHOUT  
YOU  
THERE IS  
NO US.**



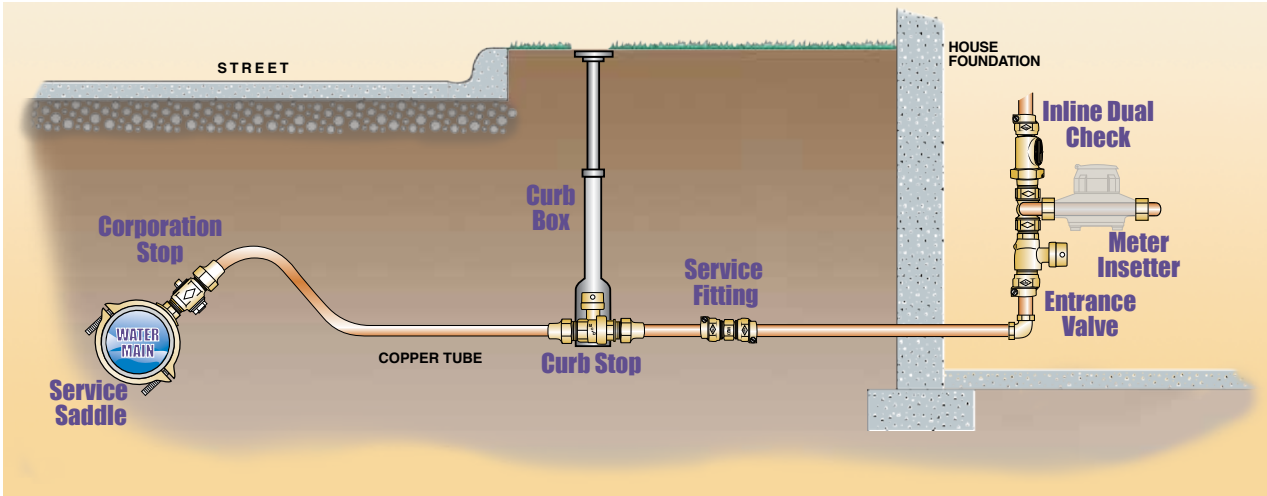
# Engineering

January 11, 2022 - Revised July 2024

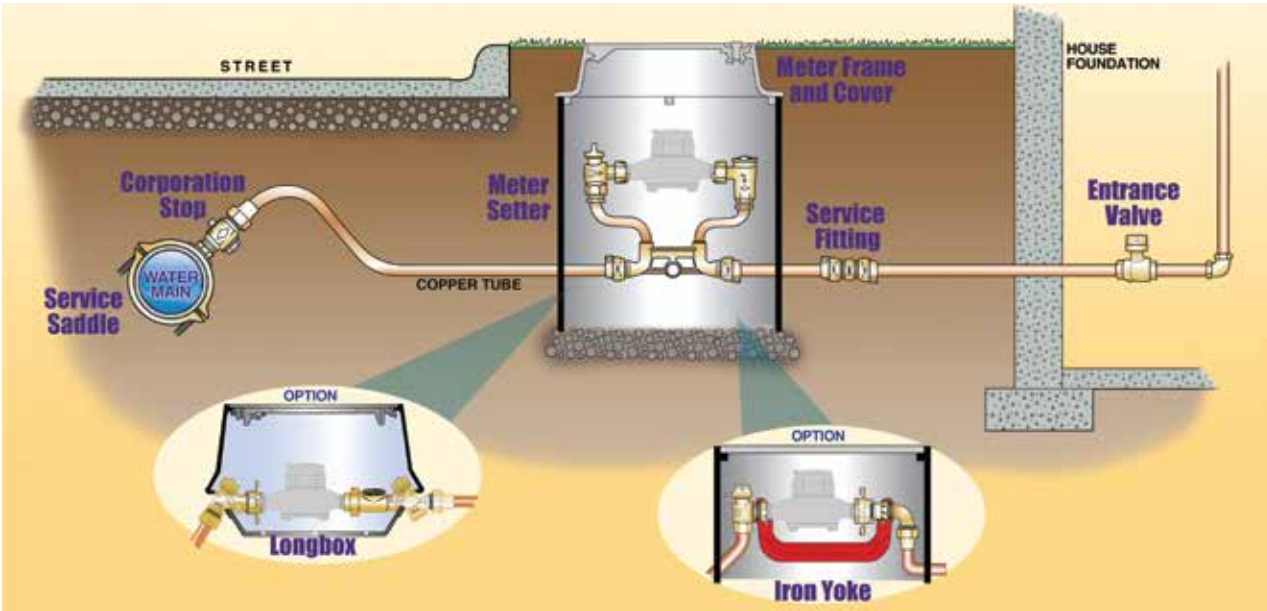


## Water Service Lateral

### Northern Installation

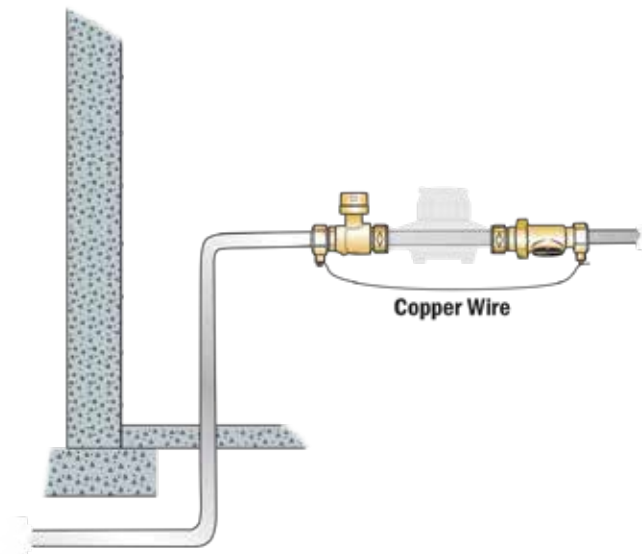


### Southern Installation

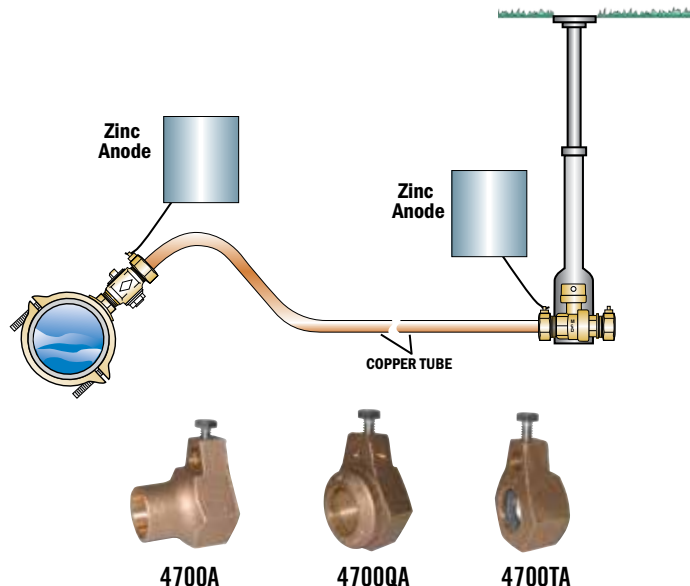




## Electrical Continuity

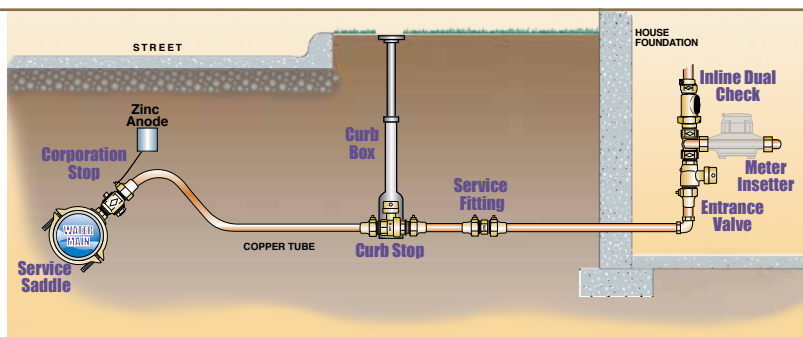


## Anode Nut Options



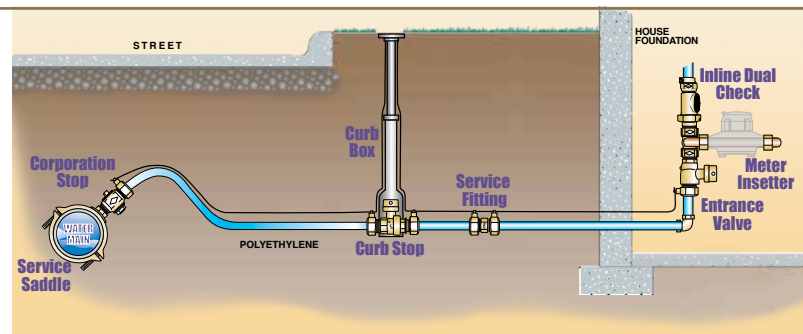
## Sacrificial Anode

In cathodic protection, a metal anode that is more reactive to the corrosive environment of the system to be protected is linked to the protected system, and partially corrodes or dissolves, which protects the metal of the system it is connected to. As an example, a Ductile Iron water main may be protected by a zinc sacrificial anode, which will dissolve into the wet earth around the main and prevent the water main from being corroded. Sacrificial anodes are particularly needed for systems where a static charge is generated by the action of flowing liquids, such as pipelines.



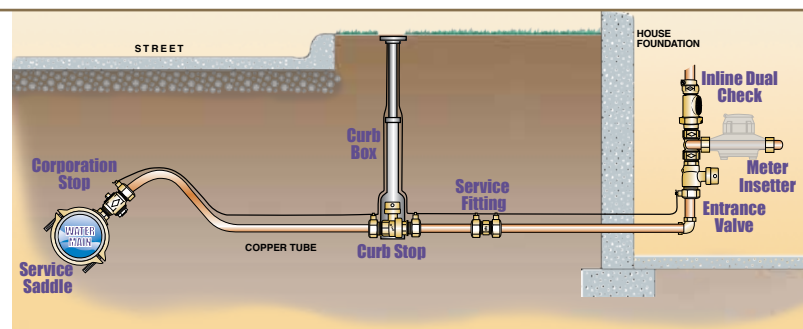
## Tracer Wire / Locater Nut

Tracer wire (also known as locating wire) is used frequently by utility companies to locate buried service lines made of plastic. Tracer wire is buried alongside plastic service lines that are installed underground, to assist in locating them for service and repairs. This practice saves contractors and consumers time, money and inconvenience, but only when the tracer wire maintains its integrity so that a line needing service can be promptly located.



## Thaw Wire

An installation that incorporates a thaw wire is one that could potentially freeze under extreme cold weather conditions. A copper wire is normally connected to various positions along a copper service line so an electrical device such as an arc welder could apply electric current to unfreeze the water line, if necessary.



# Outside Diameter Chart

Types of Pipe/Tubing for use with A.Y. McDonald Fittings (Outside Diameters listed)

Engineering

	CTS	CTS*	CTS*	CTS*	PEP* Accepts Barbed Insert	PEP*
<b>NOMINAL SIZE</b>	<b>TYPE K or L COPPER TUBE</b>	<b>POLYETHYLENE ASTM D2737 SDR 9 TUBE SIZE</b>	<b>PEX TUBING ASTM F876 SDR 9 CSA B137.5</b>	<b>POLYBUTYLENE ASTM D2666 SDR 9 TUBE SIZE CLASS 250</b>	<b>POLYBUTYLENE ASTM D2662 SDR 7 or POLYETHYLENE ASTM D2239 SDR 7 POLYETHYLENE PIPE SIZE</b>	<b>POLYETHYLENE ASTM D2239 SDR 9 POLYETHYLENE PIPE SIZE</b>
1/2"	$\frac{.622}{.628}$ C	$\frac{.621}{.629}$ A C	$\frac{.621}{.629}$ A C	$\frac{.625}{.633}$ A C	$\frac{.79}{.85}$ B C	
5/8"						
3/4"	$\frac{.872}{.878}$ G	$\frac{.871}{.879}$ G	$\frac{.871}{.879}$ G	$\frac{.875}{.883}$ G	$\frac{1.045}{1.110 (1.089)}$ G	$\frac{.993}{1.058}$
1"	$\frac{1.121}{1.129}$ G	$\frac{1.120}{1.130}$ G	$\frac{1.120}{1.130}$ G	$\frac{1.125}{1.135}$ G	$\frac{1.329}{1.399 (1.384)}$ G	$\frac{1.263}{1.333}$
1 1/4"	$\frac{1.371}{1.379}$ G	$\frac{1.370}{1.380}$ G	$\frac{1.370}{1.380}$ G	$\frac{1.375}{1.385}$ G	$\frac{1.754}{1.832 (1.804)}$	$\frac{1.666}{1.736}$
1 1/2"	$\frac{1.621}{1.630}$ G	$\frac{1.619}{1.631}$ G	$\frac{1.619}{1.631}$ G	$\frac{1.625}{1.637}$ G	$\frac{2.050}{2.141 (2.109)}$	$\frac{1.948}{2.023}$
2"	$\frac{2.120}{2.130}$ G	$\frac{2.119}{2.131}$ G	$\frac{2.119}{2.131}$ G	$\frac{2.125}{2.137}$ G	$\frac{2.637}{2.742 (2.709)}$	$\frac{2.507}{2.598}$
<b>Type of A.Y. Fitting</b>	<b>Flare, A, -22, G, Q, QA, T, TA or CC -11</b>	<b>-22, G, H, Q, QA, T, TA or CE -11</b> E	<b>-22, G, H, Q, QA, T, TA or CE -11</b> E	<b>-22, G, H, Q, QA, T, TA or CE -11</b> E	<b>-33, -3G, -3H, -3Q, or -3QA -11</b> E	<b>-34 -11</b>
<b>A.Y. SS Stiffener</b>	D	6131T 6133T *F	6131T 6133T *F	6131T 6133T *F	6136 *	6136

### Recommended Torque Chart for Mac-Pak Compression Nuts

Tighten to the following minimum torques: "-22", "-33", "-34", "-44", "-55" Compression

For nut size:	1/2" .....20 ft-lbs	1" .....30 ft-lbs	1 1/2" .....40 ft-lbs	2" .....45 ft-lbs
	3/4" .....25 ft-lbs	1 1/4" .....35 ft-lbs		

For soft copper, PVC, polybutylene, and polyethylene tubing, the torques to which the clamp side screw should be tightened are as follows (NOTE CHANGE IN UNIT OF MEASURE):

For clamp screw:	1/2" .....70-80 in-lbs	1" .....90-100 in-lbs	1 1/2" .....160-180 in-lbs	2" .....200-220 in-lbs
	3/4" .....80-90 in-lbs	1 1/4" .....120-140 in-lbs		

For hard copper tubing, brass and steel pipe, the torques to which the clamp side screw should be tightened to are as follows (NOTE CHANGE IN UNIT OF MEASURE):

For clamp screw:	1/2" .....70-80 in-lbs	1" .....65-90 in-lbs	1 1/2" .....160-180 in-lbs	2" & 2 1/2" .....200-220 in-lbs
	3/4" .....80-90 in-lbs	1 1/4" .....120-140 in-lbs		

### -11 Ranger Compression System - OD Range

3/4"	0.871 - 1.110
1"	1.120 - 1.384
1 1/4"	1.371-1.804
1 1/2"	1.621-2.109

### Lead Mac-Pak Comp. "-66", "-67", "-68" Compression

For nut size:	1/2" .....20 ft-lbs	1" .....40 ft-lbs	1 1/2" .....50 ft-lbs
	5/8" .....30 ft-lbs	1 1/4" .....45 ft-lbs	2" .....55 ft-lbs
	3/4" .....35 ft-lbs		

NOTE CHANGE IN UNIT OF MEASURE

For clamp screw:	1/2" .....70-80 in-lbs	1" .....90-100 in-lbs	1 1/2" .....160-180 in-lbs
	5/8" .....75-85 in-lbs	1 1/4" .....120-140 in-lbs	2" .....160-180 in-lbs
	3/4" .....80-90 in-lbs		



# Outside Diameter Chart

Types of Pipe/Tubing for use with A.Y. McDonald Fittings (Outside Diameters listed)

C903	PVC	IPS*	IP	LEAD PIPE		
C903	BRASS PIPE & PVC ASTM D1785 SCH. 40	POLYETHYLENE ASTM D3035 SDR 9 / SDR 11 OD CONTROLLED IRON PIPE SIZE	STEEL PIPE	STRONG S or A	EXTRA STRONG XS or AA	DOUBLE EXTRA STRONG XXS or AAA
	$\frac{.836}{.844}$ <sup>C</sup>		$\frac{.836}{.844}$ <sup>B</sup> <sup>C</sup>	$\frac{.783}{.813}$ <sup>B</sup>	$\frac{.861}{.891}$	$\frac{.997}{1.027}$
				$\frac{1.004}{1.034}$	$\frac{1.067}{1.097}$	$\frac{1.122}{1.152}$
$\frac{.984}{.996}$	$\frac{1.046}{1.054}$	$\frac{1.046}{1.054}$	$\frac{1.046}{1.054}$	$\frac{1.141}{1.171}$	$\frac{1.197}{1.227}$	$\frac{1.321}{1.351}$
$\frac{1.260}{1.272}$	$\frac{1.310}{1.320}$	$\frac{1.310}{1.320}$	$\frac{1.310}{1.320}$	$\frac{1.413}{1.443}$	$\frac{1.477}{1.507}$	$\frac{1.581}{1.611}$
	$\frac{1.655}{1.665}$	$\frac{1.655}{1.665}$	$\frac{1.655}{1.665}$	$\frac{1.655}{1.685}$ <sup>1 1/4" -44</sup>	$\frac{1.750}{1.780}$	$\frac{1.874}{1.904}$ <sup>1 1/2" -44</sup>
	$\frac{1.894}{1.906}$	$\frac{1.894}{1.906}$	$\frac{1.894}{1.906}$	$\frac{1.969}{1.999}$ <sup>1 1/2" -44</sup>	$\frac{2.061}{2.091}$	$\frac{2.257}{2.287}$ <sup>2" -22</sup>
	$\frac{2.369}{2.381}$	$\frac{2.369}{2.381}$	$\frac{2.369}{2.381}$	$\frac{2.488}{2.518}$ <sup>2" -44</sup>	$\frac{2.736}{2.766}$	$\frac{2.993}{3.023}$ <sup>B</sup>
<b>K, KA</b>	<b>-44 -11</b>	<b>-44 -11</b>	<b>-44, -55 -11</b>	<b>-66</b>	<b>-67</b>	<b>-68</b>
	<b>D</b>	SDR 9 - 6137 SDR 11 - 6138 *	<b>D</b>	<b>D</b>	<b>D</b>	<b>D</b>

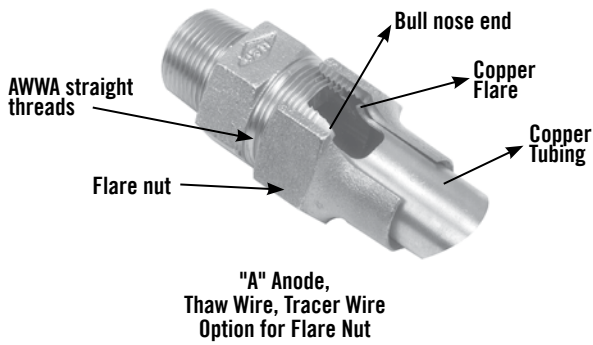
■ Shaded areas indicate where lead pipe may have to be shaved to fit Compression end shown.

- A - Need insert not available from A.Y. McDonald Mfg. Co.
- B - No fitting from A.Y. McDonald Mfg. Co. available.
- C - 1/2" only available in -22 & -44 series. Contact Factory!
- D - Insert stiffener not required
- E - -34, -3G, -3Q, -3QA, -3H, and H only available in 3/4" and 1" sizes.
- F - 6131T Plastic Stiffener only available in 3/4" and 1" sizes.
- G - Fast Connect Fitting
- () - Maximum pipe O.D. that will work with A.Y. McDonald fittings.
- \* - Insert Stiffeners required on all flexible connections except the Handy-Loc.

<p><b>Recommended Torque Chart for 6130 Series Compression Nuts</b></p> <p>Tighten to the following minimum torques:</p> <p>3/4" ..... 35 to 45 ft-lbs</p> <p>1" ..... 40 to 50 ft-lbs</p>	<p><b>Recommended Torque Chart for T Series Compression Nuts</b></p> <p>Tighten to the following minimum torques:</p> <p>3/4" ..... 50 ft-lbs</p> <p>1" ..... 55 ft-lbs</p> <p>1 1/4" ..... 65 ft-lbs</p> <p>1 1/2" ..... 100 ft-lbs</p> <p>2" ..... 125 ft-lbs</p>
--	---



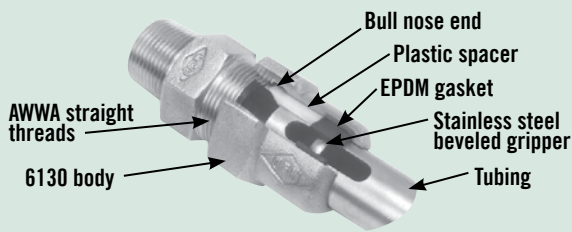
## Flare



**4700A**  
Option for Flare Nut  
For this feature add "A" to the Model No.: 74701 = **74701A**. Available for 3/4" & 1" only.

- Remove the flare nut from the valve or fitting and slip it onto the copper tubing.
- Flare the end of the copper tubing making sure the outside diameter of the flare extends out to the threads in the flare nut, and is free of nicks and chips.
- Screw the flare nut with tubing back onto the matching bull nose end of the valve or fitting and securely wrench tighten.
- The flared portion of the copper tubing acts as a water-tight gasket and also is locked between the nut and coupling giving high pull-out resistance.

## 76130 Compression Coupling Converts Flare End to Compression Assembly



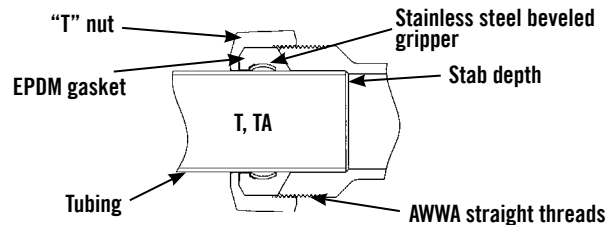
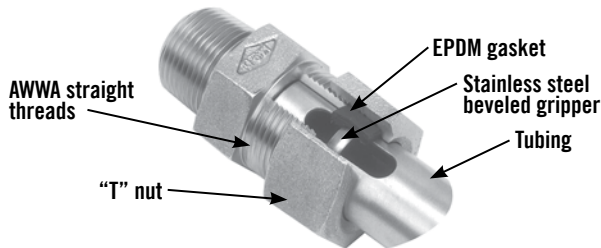
The 76130 Compression Coupling converts any 3/4" or 1" flared joint into a tube size Compression joint. For copper 6130CC or CTS polyethylene 6130CE.

- Remove the flare nut from the valve or fitting and replace with the 6130 Coupling.
- Squarely cut the end of the copper or polyethylene tubing and insert it into the 6130 coupling until the tubing bottoms out.\*
- Tighten the 6130 coupling onto the valve or fitting fingertight, then wrench tighten two - three more complete turns.

**DO NOT OVERTIGHTEN.**

## T & TA Compression

Copper tube, CTS PE ("T") is stabbed thru nut and gasket/gripper assembly to stab depth. The "T" nut is tightened to the required torque, which compresses the EPDM gasket and stainless steel beveled gripper, which creates a water-tight seal and pull-out strength.



- Insert tubing through the "T" Compression nut and assembly into the machined socket of the valve or fitting.\*
- Tighten the "T" compression nut securely onto the valve or fitting, using the information from the recommended torque chart. This will:
  - Provide a water-tight seal by compressing both edges of the EPDM gasket around the tubing.
  - Compress the stainless steel beveled gripper providing high pull-out resistance.

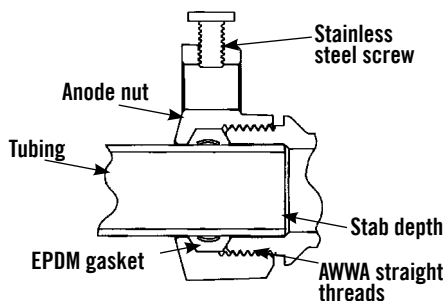
**NOTE:** "T" Compression, Mac-Pak -22, McQuik "Q", C903 "K", McGrip "G", and Handy-Loc "H" nuts have the same threads and are interchangeable. Except where noted.

### Recommended Torque Chart for T Series Compression Nuts

Tighten to the following minimum torques:

3/4"	50 ft-lbs
1"	55 ft-lbs
1 1/4"	65 ft-lbs
1 1/2"	100 ft-lbs
2"	125 ft-lbs

**DO NOT OVERTIGHTEN**



"TA" Anode

**4700TA**

Option for "T" Nut

For this feature add "A" to the Model No.: 74701T = **74701TA**. Available for 3/4" & 1" only.

\*Insert stiffeners are required on all flexible plastic connections. **NOTE: Materials meet or exceed A.W.W.A. Standard C-800.**

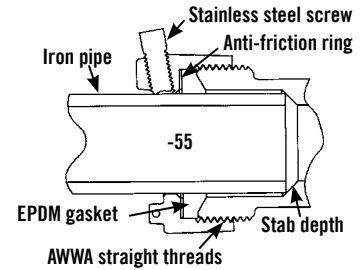
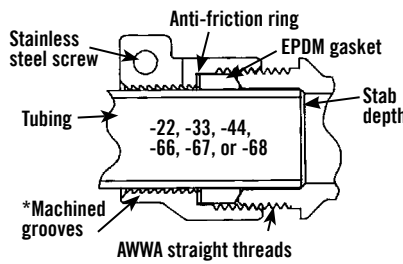
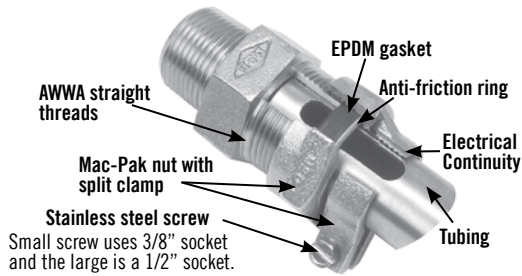




## Mac-Pak Compression -22, -33, -44, -55, -66, -67, and -68 Compression

Copper tube or CTS PE ("22"), PEP ("33"), PVC (-44), IP (-55), strong lead (-66), extra strong lead (-67) or double extra strong lead (-68) is stabbed thru nut and gasket/friction ring assembly to stab depth. The nut is tightened to the required torque (see recommended torque chart for Mac-Pak Compression), which compresses the EPDM gasket, which creates a water-tight seal. The stainless steel screw is tightened to the required torque (see chart), for pull-out strength.

Iron pipe (-55) is stabbed thru nut and gasket/friction ring assembly to stab depth. The nut is tightened to the required torque, which compresses the EPDM gasket, which creates a water-tight seal. The stainless steel screw or screws are tightened to the required torque, for pull-out strength.



- Insert tubing or plastic pipe through the nut assembly into the machined socket in the valve or fitting.\*
- Wrench tighten the Mac-Pak nut securely onto the valve or fitting compressing the EPDM seal around the pipe or tubing, creating a water-tight seal using the information from the Recommended Torque Chart.
- Secure the split clamp onto the pipe or tubing by tightening the stainless steel bolt on the side of the clamp using the information from the Recommended Torque Chart. \*Machined grooves in the split clamp provide additional gripping and electrical continuity. Machined grooves not included on the 1/2" Mac-Pak Nut.
- Mac-Pak couplings are coded as follows:
  - 22 SERIES - Tube size copper or P.E.\* -- CTS
  - 33 SERIES - Pipe size P.E.\* PEP
  - 34 SERIES - SIDR 9 PEP
  - 44 SERIES - P.V.C. -- PVC
  - 55 SERIES - Steel pipe -- IP
  - 66 SERIES - Strong lead pipe -- S
  - 67 SERIES - Extra strong lead pipe -- XS
  - 68 SERIES - Extra, extra strong lead pipe -- XXS

### Recommended Torque Chart for Mac-Pak Compression Nuts

Tighten to the following minimum torques: "-22", "-33", "-34", "-44", "-55" Compression

For nut size:	1/2" .....20 ft-lbs	1" .....30 ft-lbs	1 1/2" .....40 ft-lbs
	3/4" .....25 ft-lbs	1 1/4" .....35 ft-lbs	2" .....45 ft-lbs

For soft copper, PVC, polybutylene, and polyethylene tubing, the torques to which the clamp side screw should be tightened are as follows (NOTE CHANGE IN UNIT OF MEASURE):

For clamp screw:	*1/2" .....70-80 in-lbs	1" .....90-100 in-lbs	1 1/2" .....160-180 in-lbs
	3/4" .....80-90 in-lbs	1 1/4" .....120-140 in-lbs	2" .....200-220 in-lbs

For hard copper tubing, brass and steel pipe, the torques to which the clamp side screw should be tightened to are as follows (NOTE CHANGE IN UNIT OF MEASURE):

For clamp screw:	*1/2" .....70-80 in-lbs	1" .....65-90 in-lbs	1 1/2" .....160-180 in-lbs
	3/4" .....80-90 in-lbs	1 1/4" .....120-140 in-lbs	2" & 2 1/2" .....200-220 in-lbs

### Lead Mac-Pak Comp. "-66", "-67", "-68" Compression

For nut size:	1/2" .....20 ft-lbs	1" .....40 ft-lbs	1 1/2" .....50 ft-lbs
	5/8" .....30 ft-lbs	1 1/4" .....45 ft-lbs	2" .....55 ft-lbs
	3/4" .....35 ft-lbs		

NOTE CHANGE IN UNIT OF MEASURE

For clamp screw:	1/2" .....70-80 in-lbs	1" .....90-100 in-lbs	1 1/2" .....160-180 in-lbs
	5/8" .....75-85 in-lbs	1 1/4" .....120-140 in-lbs	2" .....160-180 in-lbs
	3/4" .....80-90 in-lbs		

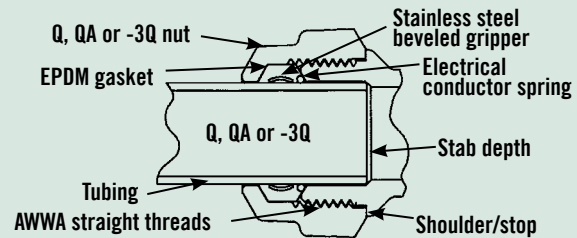
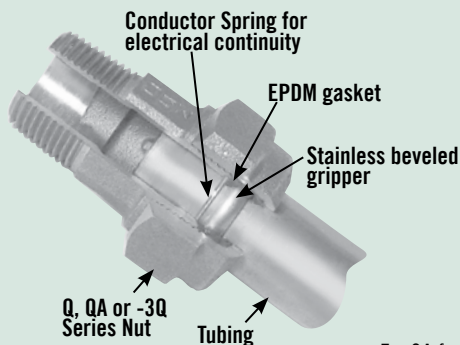
\*No threads on clamp

**DO NOT OVERTIGHTEN**

**NOTE:** "T" Compression, Mac-Pak -22, McQuik "Q", C903 "K", McGrip "G", and Handy-Loc "H" nuts have the same threads and are interchangeable. Except where noted.

## McQuik Compression - Q, QA, and -3Q Series

Copper tube, CTS PE (Q), QA or PEP (-3Q) is stabbed through the nut and gasket/friction ring assembly to stab depth. The Q, QA or -3Q nut is tightened to the stop/shoulder on the body, which compresses the EPDM gasket and stainless steel beveled gripper, which creates a water-tight seal and pull-out strength. The electrical conductor spring makes positive contact between the copper tubing and the brass nut/fitting. When using with CTS PE (Q) QA or PEP (-3Q), the electrical conductor spring becomes purposeless.



"A" Anode,  
Thaw Wire, Tracer Wire  
Option for "Q" Nut

For QA feature add "A" to the Model No.: 74701Q = 74701QA.  
Available for 3/4", 1", 1 1/4", 1 1/2", & 2".

**NOTE:** "T" Compression, Mac-Pak -22, McQuik "Q", C903 "K", McGrip "G", and Handy-Loc "H" nuts have the same threads and are interchangeable.

Any Q Series connection can be changed to a **C903 Connection**. Replace the "Q" in the model number with a "K." 3/4" or 1" only.

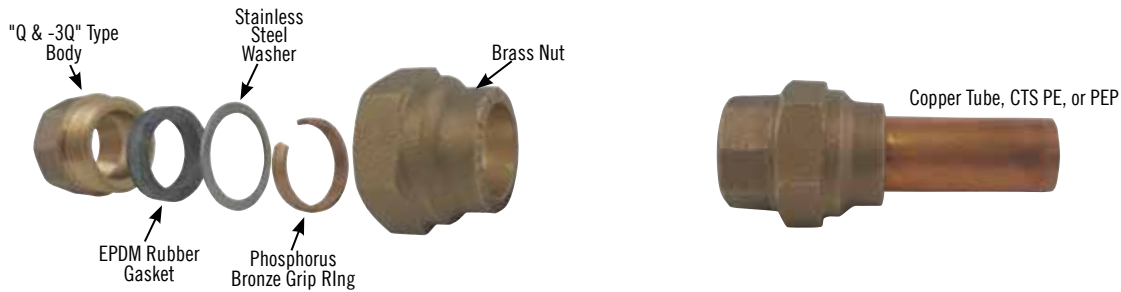


\*Insert stiffeners are required on all flexible plastic connections. **NOTE:** Materials meet or exceed A.W.W.A. Standard C-800.



## McGrip - G & -3G Series

Copper tube, CTS PE (G & -3G) is stabbed through the nut and grip ring/friction ring and gasket assembly to stab depth. The G & -3G nut is tightened to the stop/shoulder on the body, which compresses the EPDM gasket and phosphorus bronze gripper, which creates a water-tight seal and pull-out strength.



The New "McGrip" Series from A.Y. McDonald Mfg. Co. is a CTS and PEP Compression connection that is available in 3/4", 1", 1 1/4", 1 1/2" and 2" sizes.

This connection can be utilized on all A.Y. McDonald Mfg. Co. McQuik series end connections by removing the "Q or -3Q" Compression assembly and replacing it with the "G or -3G" assembly.

The brass nuts are made from C83600 ASTM B584 brass along with EPDM rubber gasket, Stainless steel washer and Phosphorus Bronze grip ring.

For use with Copper tube, ("K" & "L" Hard or Soft) or CTS PE (ASTM D2737 SDR 9) with appropriate Insert Stiffener.

For use with PEP (ASTM D2662 SIDR 7) with Model 6136 Insert Stiffener.

### Features:

- Large wrench flats for easier installation
- Tighten to Shoulder Stop
- Interchangeability with any A.Y. McDonald Mfg. Co. McQuik Series

**NOTE:** "T" Compression, Mac-Pak -22, McQuik "Q", C903 "K", McGrip "G", and Handy-Loc "H" nuts have the same threads and are interchangeable. Except where noted.

### To Order:

- Replace the "Q" in our model number with a "G" to get the McGrip. I.E. 74754Q 1" converts to 74754G 1".
- Replace the "3Q" in our model number with a "3G" to get the PEP McGrip. I.E. 74754-3Q 1" converts to 74754-3G 1".
- Same price as "3Q" Series.

## Handy-Loc - H & -3H Series

A.Y. McDonald is pleased to announce the release of the interchangeable Handy-Loc Series Compression Nut (H and -3H.) The Handy-Loc is available for use with the 3/4" and 1" CTS (ASTM D2737 SDR 9) and PEP (ASTM D2239 SIDR 7) tubing and can be disengaged from the pipe without the need for any special tools. The Handy-Loc comes pre-assembled to Q or -3Q end connection at required torque, so additional installation is not required. Just chamfer and stab in tube to required depth, pull to set the grip ring, and test assembly.

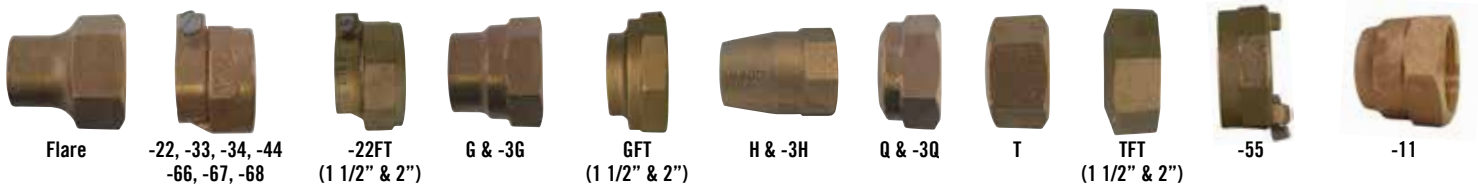
The Handy-Loc doesn't require or allow an insert stiffener and is available anywhere a McDonald 3/4" or 1" Q or -3Q exists. Also, available on valves, meter setters, and couplings - the Handy-Loc allows for cross compatibility between the nuts of McDonald fittings which reduces stock and eliminates the need for an adapter.



### Features:

- Chamfering tools create smooth and uniform leading edge.
- The tool is provided with a hole to facilitate live installations.
- Cast brass meets current revision of AWWA C800 Specification.
- Grip rings are color coded for easy identification (Red = CTS, White = PEP).
- Each fitting is plainly marked (3/4" CTS, 3/4" PEP, etc.)

## Outlet Connections



## RANGER

A.Y. McDonald's new RANGER fittings are designed with You, our Customer, the Boss in mind. The unique design of the RANGER allows it to assemble onto multiple ranges of 3/4", 1", 1 1/4" or 1 1/2" nominal pipe diameters from CTS up to PVC. It not only saves time, but the design of this wide-range fitting also reduces inventory by replacing up to 99 compression connections. When you know you have a 3/4", 1", 1 1/4" or 1 1/2" service line in the ground, but you don't know the exact type of pipe, grab the RANGER. When you don't know what fitting is stocked on your shelf or don't have room to stock multiple fittings, stock one fitting. Stock the RANGER!



The RANGER is designed with a 301 stainless steel grip ring, a brass friction ring, and an EPDM rubber gasket.

Size	Torque	Pipe O.D.
3/4"	75 ft.-lbs.	0.871" - 1.110"
1"	80 ft.-lbs.	1.120" - 1.384"
1 1/4"	100 ft.-lbs.	1.370" - 1.804"
1 1/2"	115 ft.-lbs.	1.619" - 2.109"
2"	125 ft.-lbs.	2.119" - 2.709"

### Features:

- Manufactured in the United States
- No-Lead C89833, NSF/ANSI/CAN/61-2018, NSF/ANSI 372-2016
- Meet and exceeds AWWA C800-14, which requires fittings to be suitable for a water pressure of 150 PSIG
- Withstands the same pressures as the tubing, but must not be used with pressures exceeding 300 PSIG
- Double Lead Thread allows for compression nut to be assembled in half the time of a standard compression nut and eliminates the possibility of assembling an incompatible nut to these fittings.
- Designed for underground and aboveground cold potable water systems
- Large wrench flats for tightening to torque
- Tighten-to-torque required - noted on installation instructions
- Provides pull-out strength equal to other compression fittings

Insert stiffeners are **required** on all flexible plastic connections.



# Flaring & Re-rounding

## TOOL INSTRUCTIONS

**WARNING - THE FOLLOWING INSTRUCTIONS MUST BE READ AND FOLLOWED AT ALL TIMES.**  
**IMPORTANT - ALWAYS WEAR SAFETY GOGGLES WHEN WORKING WITH THIS TOOL.**

### Chamfer Tool

Sizes Available -  
 3/4", 1"



4772 - CTS, 4773 - PEP,  
 4773R - Replacement Blades

1. Use a tube cutter to assure a square end. Make sure tube is round. Surface should be clean and free of nicks.
2. Use chamfer tool to bevel lead edge of tubing, do NOT lubricate tubing or use an insert stiffener.

### Re-rounding

Sizes Available -  
 3/4", 1", 1 1/4", 1 1/2", 2"



4774FR

1. Cut copper tubing with appropriate wheel-type cutter. Be sure cut is square.
2. De-burr inside of cut tube (some cutters are equipped with de-burring tool).
3. Insert tapered end of tool into copper tubing.
4. Hit the tool end with soft face brass hammer to drive it into tube (steel hammers are not recommended). Drive only to within 1/2" of flare part of tool.

### Flaring

Sizes Available -  
 3/4", 1", 1 1/4", 1 1/2", 2"



4775N

1. Cut copper tubing with appropriate wheel-type cutter.
2. De-burr inside of cut tube (some cutters are equipped with de-burring tool).
3. Put flared tube nut onto tubing.
4. Grease shoulder and shank of tool (use potable grease).
5. Insert tapered end of tool into copper tubing.
6. Drive tool into copper tube using soft face brass hammer (steel hammers are not recommended).
7. Rotate tool continuously and slide tube nut up to flare after each series of driving flare tool into tube.
8. Continue to flare tube until flare is snug inside tube nut. Tube nut should still spin freely by hand.
9. If tube cracks, or flare is unusable, re-cut tube and start over.

**THESE ARE ONLY COMMON INSTRUCTIONS FOR RE-ROUNDING AND FLARING COPPER TUBING.**  
**THE MANUFACTURER DOES NOT GUARANTEE, AND IS NOT RESPONSIBLE FOR ANY LOSS OR DAMAGE AS A RESULT OF THESE INSTRUCTIONS.**

### Wrench on Brass Valves & Fittings



Do NOT use a pipe wrench with serrated jaws

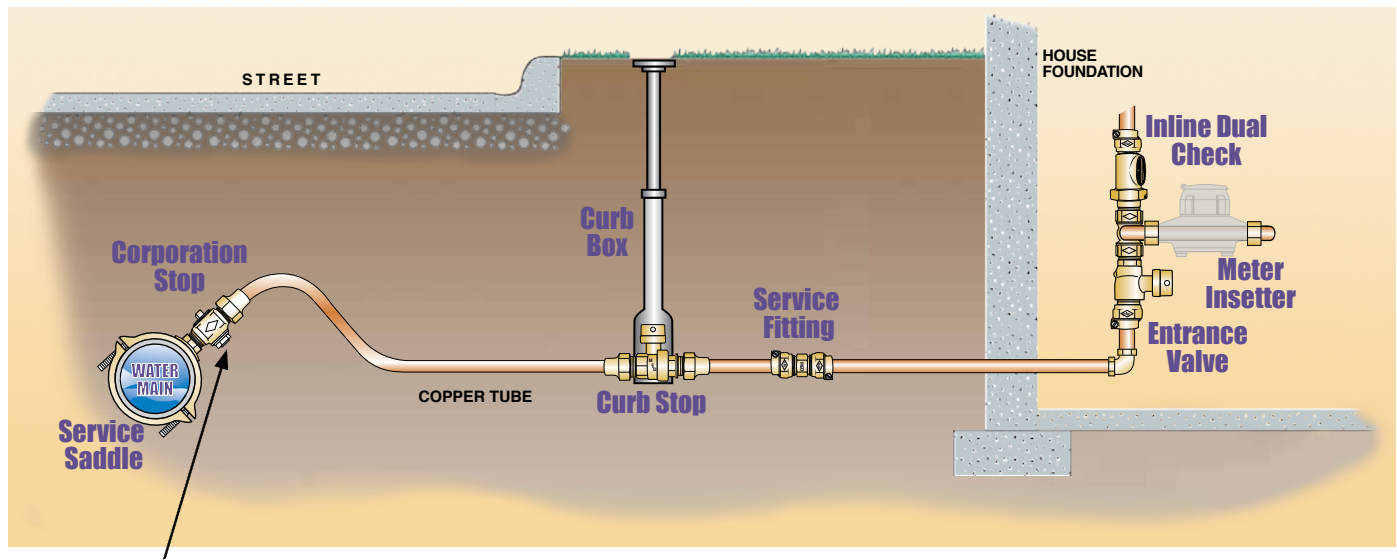


Use a wrench with smooth jaws





## Water Service Lateral



The Corporation Stop is the initial control valve of the service line.

## Notes:

- All A.Y. McDonald Ball & Plug Style Corporation Stops are available with a wide variety of outlet connections and are manufactured to meet or exceed the AWWA C800 (latest revision) standard, except where noted.
- All A.Y. McDonald Ball & Plug Style Corporation Stops are designed to be used with all known tapping and drilling machines. For drilling and tapping machine adapters, except where noted see pages 78-79.
- Each A.Y. McDonald Ball & Plug Style Corporation Stop is pressure tested prior to packaging.
- Assembly is shipped with a color coded inlet thread protector - Green for AWWA/CC threads, Yellow for AWWA MNPT.
- A.Y. McDonald 3/4" and 1" "G", "H", "K", "Q", "T", "-22", and 1 1/4" Q series compression and flare outlets use the same female screw plug. The 1 1/2" and 2" "G", "Q", "T", and "-22" Series use special female screw plugs.
- A.Y. McDonald 3/4" and 1" "-3G", "-3Q", "-33", "-34", "-44", "-55", and 1 1/2" "-33" are one size larger thread. Example: 3/4" "-33" is 1" AWWA flare nut thread. See chart pages 78-79.
- Insert stiffeners are required for use in all PE applications.

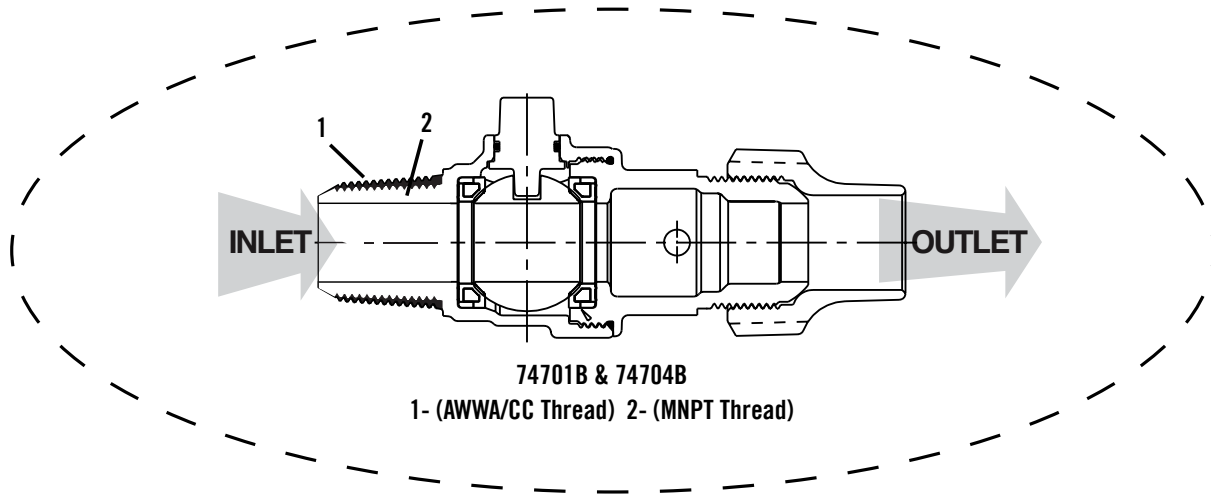
## Additional Options:

- For companion couplings for flare end, refer to the Service Fitting section in catalog, starting on page 203
- (FT) in the model number of 1 1/2" and 2" sized corporation valves designates Flare Thread Outlet I.E. 74701B-22 becomes 74701B-22FT
- (BCAP) in the model number designates a valve with a removable large operating head, see pages 82-83 - I.E. 74701B becomes 74701BCAP
- (DB) in the model number designates a valve with a dielectric bushing assembled water tight (these valves will not fit in tapping and drilling machines), see page 87 I.E. 74701B becomes 74701BDB
- (BSP) in the model number designates British Standard Pipe thread outlet (contact factory for availability and pricing)
- For additional outlet connection options, see page 20
- (RW) in the model number designates marking for "Reclaimed Water". (Contact factory for availability and pricing)
- (PITO) in the model number designates Pito tube inlet, see page 89



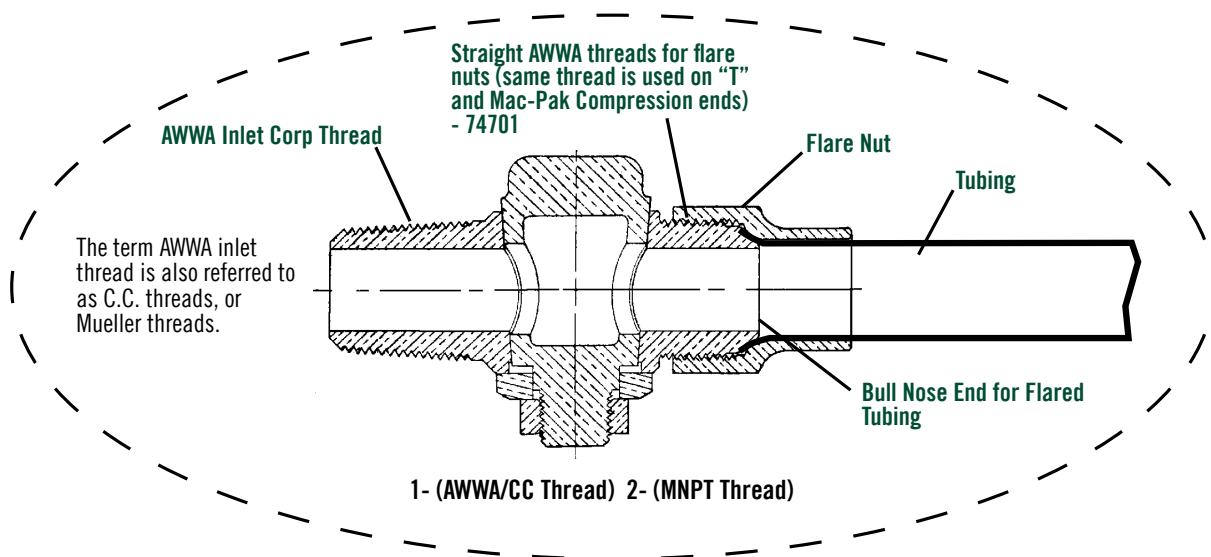
## Ball Style Corporation Stops

A.Y. McDonald Ball Style Corporation Stops come standard with a 360° operating head and are designed for low turning torques and operating pressures up to 300 PSI. The brass ball is coated with PTFE and supported by two blow-out proof EPDM seals. The end piece that holds the ball in the body is sealed with an EPDM O-ring and thread locker. A.Y. McDonald ball valves have no metal-to-metal contact between the ball and the body to cause higher turning torques and increased wear on the ball. The leak proof feature at 300 PSI rating makes these valves a better choice than a plug valve when test or operating pressures exceed 80 PSI.



## Plug Style Corporation Stops

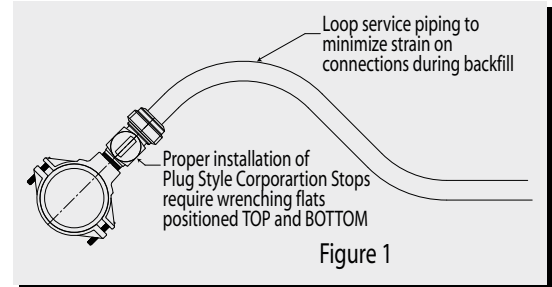
A.Y. McDonald Plug Style Corporation Stops come standard with a 360° operating head. The one piece body and plug are precision machined to assure a perfect match between the plug and the body to allow operating pressures of 100 PSI on 1/2", 3/4" and 1" valves and 80 PSI on 1 1/4", 1 1/2" and 2" valves. This same machining precision carries over to the threads to assure A.Y. McDonald's high quality and compatibility with direct taps and saddle applications.



A.Y. McDonald waterworks products are designed for reliable service. Like all brass products, however, they can be damaged by improper handling and use.

## CAUTION:

1. **PROTECT THREADS** Nicks or distorted threads, especially on tapered threads, can cause leaks.
2. **USE A GOOD THREAD SEALANT** where threads are intended to provide a leak-proof connection. Do not overtighten.
3. **DO NOT** use Vaseline®, plumber's grease, or any other petroleum product on seals or o-rings.
4. **USE ONLY A SMOOTH JAWED ADJUSTABLE WRENCH** on the flats provided nearest the thread being made up. Serrated pipe wrenches apply a loose, improper fit that can distort the body and cause a leak, especially on valves.
5. Plug style corp valves should be installed so that the wrenching flats of a tightened valve are positioned top and bottom (see Figure 1).
6. **AVOID DROPPING** or the use of a hammer on any plug or key type valve. Impacts, causing dents or distortion, can cause leaks by unseating the plug portion of the valve.
7. **PRESSURE TEST** for leaks before backfilling.
8. **FIELD TESTING** Special high pressure field testing may require capping the outlet of corporation stops, curb stops and angle meter stops.
9. **HIGH PRESSURE INSTALLATION** Standard AWWA tapered plug valves are intended for not more than 100 PSIG water in sizes 1/2", 3/4" and 1" and 80 PSIG water for 1 1/4", 1 1/2" and 2" valves.
10. **BACKFILL CAREFULLY** to avoid damage to the service line and connections. Loop service piping on corporation connections to minimize strain on the body and connections (See Figure 1).
11. Use extra care with high water pressures (over 100 PSIG) and pipe or tubing over 1". Consult factory if desired.
12. Keep valve clean and free from dirt and debris.
13. Protect valve from freezing, which may distort valve. In the event the valve does freeze, do not forcibly try to open or close the valve while the valve is frozen. This may destroy the valve.
14. If valve has compression style connection, read connection instruction sheet prior to installation.
15. All valves must be operated in the fully opened or fully closed position. Attempts to throttle flow by operating the valve in a partially open position may destroy the valve.



**NOTE:** For corps with C903 ends, remove C903 adapter prior to drilling. Reassemble C903 adapter to corp after drilling. Inspect all o-rings for damage prior to reassembly.

**NOTE:** For installations having pressures in excess of 100 PSIG (1/2", 3/4" and 1" corp stops) or 80 PSIG (1-1/4", 1-1/2" and 2" corp stops), the use of McDonald "ball-style" corporation stops is recommended. Ball corporations are for use with water only and are rated at 300 PSIG water pressure.

### FOR COLD WATER APPLICATIONS ONLY

**DAMAGE CAUSED BY IMPROPER USE AND HANDLING WILL VOID OUR WARRANTY.**

## Recommended Wrenching on Brass Valves and Fittings



Do NOT use a pipe wrench with serrated jaws



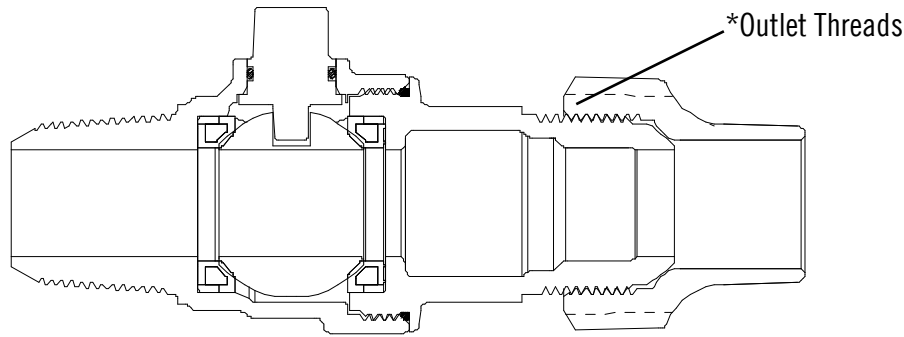
Use a wrench with smooth jaws



# Drilling Machine Adapters

**Maximum Size Drills** to be used with A.Y. McDonald Corporation Stops - Per AWWA C-800 Table 1

CORPORATION SIZE	1/2"	5/8"	5/8" x 3/4"	3/4"	3/4" x 1"	1"	1 1/4"	1 1/2"	2"
Corp Stop with AWWA Thread Inlet	7/16"	9/16"	9/16"	11/16"	11/16"	15/16"	1 3/16"	1 7/16"	1 7/8"
Corp Stop with I. P. Thread Inlet	7/16"	--	--	11/16"	11/16"	7/8"	1 1/8"	1 7/16"	1 3/4"



\*Threads per AWWA C-800, Table 4

CORPORATION MODEL / SIZE				OUTLET THREADS*	MUELLER DRILLING MACHINES		ROMAC TAPMATE TOO	HAYS DRILLING MACHINES		FORD DRILLING MODEL 77	REED DRILLING		RIDGID			SIMTAP
					E-4 & E-5	D-4 & D-5		5930	5935		DM1000 & 2000	DMPVC	RT 1000	RT 3422	MLT 3401	
74701-22	5/8 x 3/4	74701B-22	3/4	74704T	3/4	74701G	3/4									
74701T	5/8 x 3/4	74701BQ	3/4	74704B-22	3/4	74704G	3/4									
74701-22	3/4	74701BT	3/4	74704BQ	3/4	74701BG	3/4									
74701Q	3/4	74704-22	3/4	74704BT	3/4	74704BG	3/4									
74701T	3/4	74704Q	3/4													
74701-33	3/4	74701B-55	3/4	74704Q	1	74701-3G	3/4									
74701-3Q	3/4	74701B-22	3/4 x 1	74704T	3/4 x 1	74704-3G	3/4									
74701-44	3/4	74701B-22	1	74704T	1	74701B-3G	3/4									
74701-55	3/4	74701BQ	1	74704B-33	3/4	74704B-3G	3/4									
74701-22	3/4 x 1	74701BT	3/4 x 1	74704B-3Q	3/4	74701G	1									
74701-22	1	74701BT	1	74704B-44	3/4	74704G	1									
74701Q	1	74704-33	3/4	74704B-55	3/4	74701BG	1									
74701T	3/4 x 1	74704-3Q	3/4	74704B-22	3/4 x 1	74704BG	1									
74701T	1	74704-44	3/4	74704B-22	1											
74701B-33	3/4	74704-55	3/4	74704BQ	1											
74701B-3Q	3/4	74704-22	3/4 x 1	74704BT	3/4 x 1											
74701B-44	3/4	74704-22	1	74704BT	1											
74701-33	1	74701B-44	1	74704-22	1 1/4	74701-3G	1									
74701-3Q	1	74701B-55	1	74704Q	1 1/4	74704-3G	1									
74701-44	1	74701B-22	1 x 1 1/4	74704T	1 x 1 1/4	74701B-3G	1									
74701-55	1	74701BQ	1 x 1 1/4	74704T	1 1/4	74704B-3G	1									
74701-22	1 x 1 1/4	74701BT	1 x 1 1/4	74704B-33	1	74701BG	1 x 1 1/4									
74701-22	1 1/4	74704-33	1	74704B-3Q	1	74701G	1 1/4									
74701Q	1 1/4	74704-3Q	1	74704B-44	1	74704G	1 1/4									
74701T	1 x 1 1/4	74704-44	1	74704B-55	1											
74701T	1 1/4	74704-55	1	74704B-22	1 x 1 1/4											
74701B-33	1	74704-22	1 x 1 1/4	74704BT	1 x 1 1/4											
74701B-3Q	1															
74701Q	1 1/2	74701T	1 1/2	74704Q	1 1/2	74704G	1 1/2									
74701BQ	1 1/2	74701B-22	1 1/2	74704BQ	1 1/2	74701BG	1 1/2									
74701-22	1 1/2	74701BT	1 1/2	74701G	1 1/2	74704BG	1 1/2									
74701Q	2	74701B-22	1 1/2 x 2	74704B-22	1 1/2 x 2	74701G	2									
74701BQ	2	74701BT	1 1/2 x 2	74704BT	1 1/2 x 2	74704G	2									
74701-22	2	74704-22	2	74704Q	2	74701BG	2									
74701T	2	74704T	2	74704BQ	2	74704BG	2									
74701B-22	2	74704B-22	2													
74701BT	2	74704BT	2													
74701-22FT	1 1/2	74701B-44	1 1/2	74704B-22FT	1 1/2											
74701TFT	1 1/2	74704-22FT	1 1/2	74704BTFT	1 1/2											
74701B-22FT	1 1/2	74704TFT	1 1/2	74704B-44	1 1/2											
74701BTFT	1 1/2															
74701B-33	1 1/2	74701BTFT	2	74704-22FT	2											
74701B-22FT	1 1/2 x 2	74701B-33	2	74704TFT	2											
74701BTFT	1 1/2 x 2	74701B-44	2	74704B-22FT	2											
74701-22FT	2	74704B-33	1 1/2	74704BTFT	2											
74701TFT	2	74704B-22FT	1 1/2 x 2	74704B-33	2											
74701B-22FT	2	74704BTFT	1 1/2 x 2	74704B-44	2											





# Tapping Machine Adapters

CORPORATION MODEL / SIZE				OUTLET THREADS*	MUELLER TAPPING MACHINES			HAYS TAPPING MACH. NO. B-1	REED CDTM1000 & 2000; TM1000	RIDGID MLT3401	
					NO. B-100 & B-101	NO. B	NO. A-2 & A-3				
74701-22	5/8 x 3/4		74701G	3/4	680600	680600	680600	353-06-106	98423	92182	
74701T	5/8 x 3/4		74704G	3/4							
74701-22	3/4	74704-22	3/4	74701BG							3/4
74701Q	3/4	74704Q	3/4	74704BG							3/4
74701T	3/4	74704T	3/4								
74701B-22	3/4	74704B-22	3/4								
74701BQ	3/4	74704BQ	3/4								
74701BT	3/4	74704BT	3/4	74701-3G							3/4
74701-33	3/4	74704-33	3/4	74704-3G	3/4	680601	680601	680601	353-06-108	98424	92187
74701-3Q	3/4	74704-3Q	3/4	74701B-3G	3/4						
74701-44	3/4	74704-44	3/4	74704B-3G	3/4						
74701-55	3/4	74704-55	3/4	74701G	1						
74701-22	3/4 x 1	74704-22	3/4 x 1	74704G	1						
74701-22	1	74704-22	1	74701BG	1						
74701Q	1	74704Q	1	74704BG	1						
74701T	3/4 x 1	74704T	3/4 x 1								
74701T	1	74704T	1								
74701B-33	3/4	74704B-33	3/4								
74701B-3Q	3/4	74704B-3Q	3/4								
74701B-44	3/4	74704B-44	3/4								
74701B-55	3/4	74704B-55	3/4								
74701B-22	3/4 x 1	74704B-22	3/4 x 1								
74701B-22	1	74704B-22	1								
74701BQ	1	74704BQ	1								
74701BT	3/4 x 1	74704BT	3/4 x 1	74701-3G	1						
74701BT	1	74704BT	1	74704-3G	1						
74701-33	1	74704-33	1	74701B-3G	1	680602	--	680602	353-06-110	--	--
74701-3Q	1	74704-3Q	1	74704B-3G	1						
74701-44	1	74704-44	1	74701BG	1x1 1/4						
74701-55	1	74704-55	1	74701G	1 1/4						
74701-22	1 x 1 1/4	74704-22	1 x 1 1/4	74704G	1 1/4						
74701-22	1 1/4	74704-22	1 1/4								
74701Q	1 1/4	74704Q	1 1/4								
74701T	1 x 1 1/4	74704T	1 x 1 1/4								
74701T	1 1/4	74704T	1 1/4								
74701B-33	1	74704B-33	1								
74701B-3Q	1	74704B-3Q	1								
74701B-44	1	74704B-44	1								
74701B-55	1	74704B-55	1								
74701B-22	1 x 1 1/4	74704B-22	1 x 1 1/4								
74701BQ	1 x 1 1/4	74704BQ	1 x 1 1/4								
74701BT	1 x 1 1/4			74701G	1 1/2						
74701Q	1 1/2	74704Q	1 1/2	74704G	1 1/2						
74701BQ	1 1/2	74704BQ	1 1/2	74701BG	1 1/2						
74701-22	1 1/2	74704-22	1 1/2	74704BG	1 1/2						
74701T	1 1/2	74704T	1 1/2								
74701B-22	1 1/2	74704B-22	1 1/2	74701G	2						
74701BT	1 1/2	74704BT	1 1/2	74704G	2						
74701Q	2	74704Q	2	74701BG	2						
74701BQ	2	74704BQ	2	74704BG	2						
74701-22	2	74704-22	2								
74701T	2	74704T	2								
74701B-22	2	74704B-22	2								
74701BT	2	74704BT	2								
74701B-22	1 1/2 x 2	74704B-22	1 1/2 x 2								
74701BT	1 1/2 x 2	74704BT	1 1/2 x 2								
74701-22FT	1 1/2	74704-22FT	1 1/2			--	--	88640	--	--	--
74701TFT	1 1/2	74704TFT	1 1/2								
74701B-22FT	1 1/2	74704B-22FT	1 1/2								
74701BTFT	1 1/2	74704BTFT	1 1/2								
74701B-44	1 1/2	74704B-44	1 1/2								
74701B-33	1 1/2	74704B-33	1 1/2			--	--	88641	--	--	--
74701B-22FT	1 1/2 x 2	74704B-22FT	1 1/2 x 2								
74701BTFT	1 1/2 x 2	74704BTFT	1 1/2 x 2								
74701-22FT	2	74704-22FT	2								
74701TFT	2	74704TFT	2								
74701B-22FT	2	74704B-22FT	2								
74701BTFT	2	74704BTFT	2								
74701B-33	2	74704B-33	2								
74701B-44	2	74704B-44	2								

Engineering



# Repair Parts

IPS & C900 PVC Pipe | Ductile Iron Pipe | Ductile Iron Body Saddle - DI & PVC Pipe

Engineering



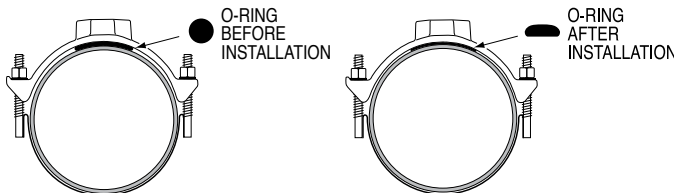
For IPS PVC pipe all brass TWO BOLT saddles (Schedule 40 or 80)



Ductile Iron Body Saddles for C900 PVC Pipe

MODEL	PIPE SIZE	TAP SIZE	ORDER PART NO.
3801	2" - 8"	1/2" - 1"	3100-906 Screw
3802			
3805			
3806	4"	1 1/2" - 2"	3100-908 Screw
3801			
3802			
3805			
3806	8"		
3801	10" - 12"	1/2" - 2"	3100-915 Screw
3802			
3805			
3806			
3815	4" - 16"	1/2" - 2"	4148-537 Screw
3816			
3825A			
3825B			
3826			
3826A			
3826B			

MODEL	PIPE SIZE	TAP SIZE	ORDER PART NO.
3835	4" - 12"	1/2" - 2"	4148-660 Nut 4148-573 Washer
3836			
3845			
3846			
3855			
3856			
4815A			
4816A			
4825A			
4826A			
4835A			
4836A			
4845A	2" - 8"	1/2" - 2"	3100-911 Screw
4846A			
4855A			
4856A			
3891			
3892			
3895			
3896			

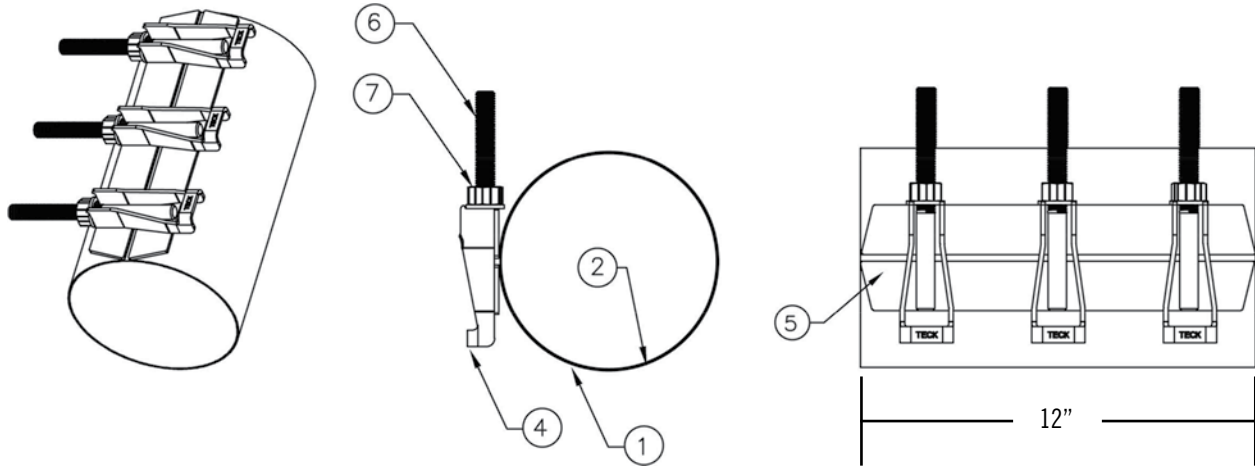


These saddles come standard with a heavy duty EPDM O-ring gasket that is adhered to the saddle to insure a positive seal equal to, but not exceeding, the pressure rating of the pipe, up to 200 PSIG.



# Stainless Steel Repair Clamp

425T | Teck Series | 4" - 12" Diameters



ID Number	Parts	Material
1	Band	304 Stainless Steel - Available widths 8", 12", 16", 20", 24" 18-8 type 304 Stainless Steel - Available diameters, 4" to 12", nominal sizes, custom sizes available.
2	Gasket	Grid gaskets with taper joints are made from Nitrile meets ASTM D2000 & NSF 61
4	Finger Bracket	18-8 type 304 Stainless Steel
5	Side Bar	18-8 type 304 Stainless Steel
6	Studs	Stainless Steel 5/8" roll NC thread
7	Nuts	5/8-11 Stainless Steel heavy hex nuts coated to prevent galling

Spacing remains constant on Repair Clamps. Basic rule is one stud for every 4" of clamp. Exception - clamps with taps.

Length	Number of Bolts
8"	2
12"	3
16"	4
20"	5

**Notes:**

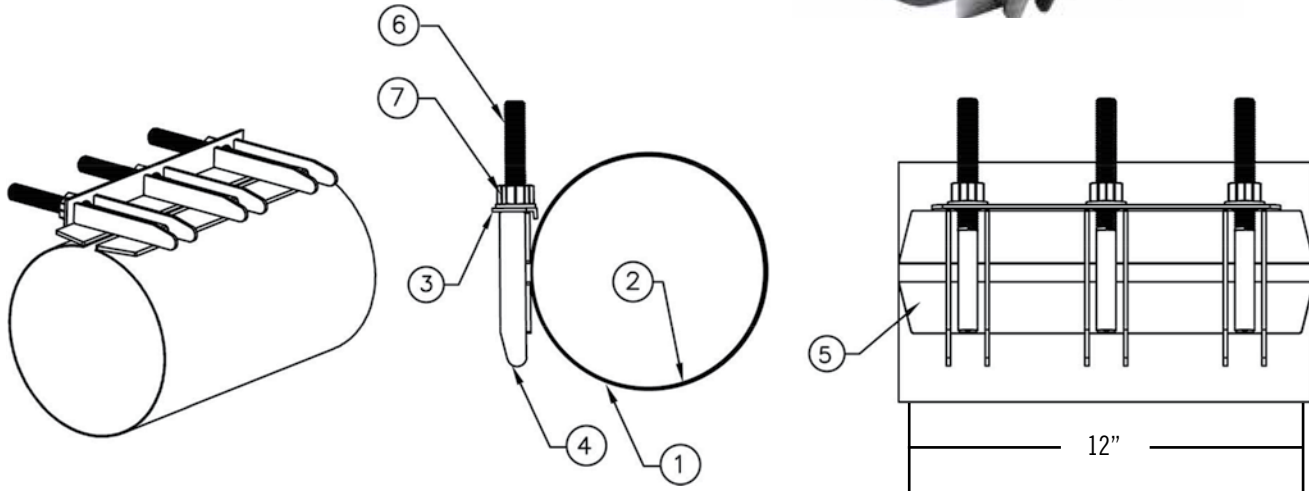
- All components are made of SS304 type stainless steel.
- Fully Passivated for corrosion resistance.
- Teck bar design – no loose parts for assembly.
- Repair Clamp size laser etched on each repair clamp.
- 0.4" pipe diameter range.
- Grid gasket with taper joint
- Rated for 150 PSI working pressure
- Fluoropolymer coated nuts to prevent galling.
- Recommended bolt torque - 60 ft. lbs.
- Contact factory for additional options.



# Stainless Steel Repair Clamp

425TLP | Lifter Plate Series | 4" - 12" Diameters

Engineering



ID Number	Parts	Material
1	Band	304 Stainless Steel - Available widths 8", 12", 16", 20", 24" 18-8 type 304 Stainless Steel - Available diameters, 4" to 12", nominal sizes, custom sizes available.
2	Gasket	Grid gaskets with taper joints are made from Nitrile meets ASTM D2000 & NSF 61
3	Lifter Plate	18-8 type 304 Stainless Steel
4	Finger Bracket	18-8 type 304 Stainless Steel
5	Side Bar	18-8 type 304 Stainless Steel
6	Studs	Stainless Steel 5/8" roll NC thread
7	Nuts	5/8-11 Stainless Steel heavy hex nuts coated to prevent galling

Spacing remains constant on Repair Clamps. Basic rule is one stud for every 4" of clamp.  
Exception - saddles with small outlets.

Length	Number of Bolts
8"	2
12"	3
16"	4
20"	5

**Notes:**

- All components are made of 304 type stainless steel.
- Fully Passivated for corrosion resistance.
- Lifter bar design – no loose parts for assembly.
- Repair Clamp size laser etched on each repair clamp.
- 0.4" pipe diameter range.
- Grid gasket with taper joint

- Rated for 150 PSI working pressure
- Fluoropolymer coated nuts to prevent galling.
- Recommended bolt torque - 60 ft. lbs.
- Contact factory for additional options.





## 2 Piece Saddle - 3801, 3802, 3805, 3806

- Saddles should be installed after pipe pressure testing is completed.
- Use only on PVC pipe. Make sure you have proper type and size of saddle for pipe. Reference pipe diameter, tap size and identification located on each saddle.
- Make sure saddle sealing surface on the pipe is clean, free of "nicks", gouges, or other imperfections that could cause leakage.
- DO NOT use Vaseline®, plumber's grease, or any other petroleum based product on seals or o-rings.
- Place saddle outlet and strap around pipe and attach together loosely using capscrews into tapped holes. Then rotate the saddle into desired position.
- A.Y. McDonald saddles are **NOT** designed to bottom out.

Alternating between each bolt, tighten to the following torques:

**For 3/4" and 1" thread size outlets:**

**2", 2 1/2", and 3" pipe - 4 - 5 FOOT-POUNDS.**

(approx. 4 to 5 lbs. pull on 12" wrench)

**4", 6", and 8" pipe - 5 - 6 FOOT-POUNDS.**

(approx. 5 to 6 lbs. pull on 12" wrench)

**10" and 12" pipe - 24 - 26 FOOT-POUNDS.**

(approx. 24 to 26 lbs. pull on 12" wrench)

**FOR 1-1/2" AND 2" THREAD SIZE OUTLETS:**

**4" and 6" pipe - 13 - 15 FOOT-POUNDS.**

(approx. 13 to 15 lbs. pull on 12" wrench)

**8" pipe - 17 - 19 FOOT-POUNDS.**

(approx. 17 to 19 lbs. pull on 12" wrench)

**10" and 12" pipe - 24 - 26 FOOT-POUNDS.**

(approx. 24 to 26 lbs. pull on 12" wrench)

- Overtightening can cause failure of saddle or bolt.**
- After the corporation stop has been installed, recheck saddle torque and tighten if necessary.
- McDonald saddles are designed to withstand water working pressure up to but not exceeding the working pressure rating of the pipe up to 200 PSIG maximum. **Use only on a cold water service.**
- Saddle testing should be accomplished while services are exposed and prior to backfilling.

3210-327

4/22

## Stainless Steel Band Saddle -

**3835, 3836, 3845, 3845A, 3845B, 3846, 3846A, 3846B, 3855, 3856, 4835A, 4836A, 4845A, 4846A, 4855A, 4856A**

- Whenever possible, saddles should be installed after pipe pressure testing is completed.
- Make sure the proper type and size saddle have been selected for the pipe.  
**NOTE:** Both 10" and 12" saddles are available with multiple strap and saddle top combinations. Make sure the pipe size lies in the ranges listed on the strap/saddle top combination.
- Clean pipe surface thoroughly.
- DO NOT use Vaseline®, plumber's grease, or any other petroleum based product on seals or o-rings.
- Mount saddle on pipe with outlet facing desired direction.
- Tighten nuts evenly to a torque of 30-35 FOOT POUNDS.**
- Overtightening can cause failure of the pipe and/or the saddle.**
- After the corporation stop has been installed, recheck saddle torque and tighten if necessary.
- A.Y. McDonald stainless steel band saddles are designed to withstand water working pressure, up to but not exceeding, the working pressure rating of the pipe. **Use only on a cold water service.**
- Saddle testing should be accomplished while services are exposed and prior to backfilling.

**WARNING:** Not for use in applications with frequent cyclic loading such as air blow off valves on water and sewer force mains.

3210-381

4/22

## Hinged Saddle - 3891, 3892, 3895, 3896

- Saddles should be installed after pipe pressure testing is completed.
- Use only on PVC pipe.
- Make sure you have proper type and size of saddle for pipe. Reference pipe diameter range, tap size and identification located on each hinged saddle.
- Clean pipe surface thoroughly.
- DO NOT use Vaseline®, plumber's grease, or any other petroleum based product on seals or o-rings.
- Mount saddle on pipe with outlet facing desired direction.
- McDonald hinged saddles are **NOT** designed to bottom out. Tighten bolts to the following torques:

**3/4" and 1" thread size outlets:**

**\*2", 2 1/2", 3" pipe - 4 - 5 FOOT-POUNDS.**

(approx. 4 to 5 lbs pull on a 12" wrench)

**\*4", 6", 8" pipe - 5 - 6 FOOT-POUNDS.**

(approx. 5 to 6 lbs pull on a 12" wrench)

**1 1/2" and 2" thread size outlets:**

**\*3", 4" pipe - 5 - 6 FOOT-POUNDS\*.**

(approx. 5 to 6 lbs pull on a 12" wrench)

**\*6", 8" pipe - 7 - 9 FOOT-POUNDS\*.**

(approx. 7 to 9 lbs pull on a 12" wrench)

\*Be sure to alternate tightening of the 2 bolts to ensure even loading.

- Overtightening can cause failure of saddle, bolt or hinge pin.**
- After the corporation stop has been installed, recheck saddle torque and tighten if necessary.
- McDonald hinged saddles are designed to withstand water working pressure up to but not exceeding the working pressure rating of the pipe up to 200 PSIG maximum. **Use only on a cold water service.**
- Saddle testing should be accomplished while services are exposed and prior to backfilling.

3210-308

3/22

## Bronze Single Strap Saddle - 3815, 3816

- Whenever possible, saddles should be installed after pipe pressure testing is completed.
- Make sure you have proper type and size of saddle for pipe. Reference pipe diameter range, tap size and identification located on the top piece of each saddle.
- Do not use on PVC pipe.**
- Clean pipe surface thoroughly.
- DO NOT use Vaseline®, plumber's grease, or any other petroleum based product on seals or o-rings.
- Mount saddle on pipe with outlet facing desired direction.
- Tighten nuts evenly to a torque of 45-55 FOOT POUNDS.**
- After the corporation stop has been installed, recheck saddle torque and tighten if necessary.
- A.Y. McDonald single strap saddles are designed to withstand water working pressure up to, but not exceeding, the working pressure rating of the pipe. **Use only on a cold water service.**
- Saddle testing should be accomplished while services are exposed and prior to backfilling.

**WARNING:** Not for use in applications with frequent cyclic loading such as air blow off valves on water and sewer force mains.

3210-319

4/22



## Bronze Double Band Saddle - 3825, 3825A, 3825B, 3826, 3826A, 3826B

1. Whenever possible, saddles should be installed after pipe pressure testing is completed.
  2. Make sure you have proper type and size of saddle for pipe. Reference pipe diameter range, tap size and identification located on each double strap top.
  3. Clean pipe surface thoroughly.
  4. DO NOT use Vaseline®, plumber's grease, or any other petroleum based product on seals or o-rings.
  5. Mount saddle on pipe with outlet facing desired direction.
  6. **Tighten nuts evenly to a torque of 45-55 FOOT POUNDS.**
  7. **Do not use on PVC pipe unless installation meets pipe manufacturers recommendations or approval. If used with PVC pipe - tighten nuts evenly to 30 foot pounds. Overtightening can cause failure of the pipe.**
  8. After the corporation stop has been installed, recheck saddle torque and tighten if necessary.
  9. A.Y. McDonald double strap saddles are designed to withstand water working pressure up to but not exceeding the working pressure rating of the pipe. **Use only on a cold water service.**
  10. Saddle testing should be accomplished while services are exposed and prior to backfilling.
- WARNING:** Not for use in applications with frequent cyclic loading such as air blow off valves on water and sewer force mains.

3210-302

3/22

## Steel Single Band Saddle - 4815A, 4816A

1. Whenever possible, saddles should be installed after pipe pressure testing is completed.
2. Make sure you have proper type and size of saddle for pipe. Reference pipe diameter range, tap size and identification located on the top piece of each saddle.
3. **Do not use on PVC pipe.**
4. Clean pipe surface thoroughly.
5. DO NOT use Vaseline®, plumber's grease, or any other petroleum based product on seals or o-rings.
6. Mount saddle on pipe with outlet facing desired direction.
7. **Tighten nuts evenly to a torque of 45-55 FOOT POUNDS.**
8. After the corporation stop has been installed, recheck saddle torque and tighten if necessary.
9. A.Y. McDonald single strap saddles are designed to withstand water working pressure up to, but not exceeding, the working pressure rating of the pipe. **Use only on a cold water service.**
10. Saddle testing should be accomplished while services are exposed and prior to backfilling.

**WARNING:** Not for use in applications with frequent cyclic loading such as air blow off valves on water and sewer force mains.

3210-379

4/22

## Steel Double Band Saddle - 4825A, 4825B, 4826A, 4826B

1. Whenever possible, saddles should be installed after pipe pressure testing is completed.
2. Make sure you have proper type and size of saddle for pipe. Reference pipe diameter range, tap size and identification located on each double strap top.
3. Clean pipe surface thoroughly.
4. DO NOT use Vaseline®, plumber's grease, or any other petroleum based product on seals or o-rings.
5. Mount saddle on pipe with outlet facing desired direction.
6. **Tighten nuts evenly to a torque of 45-55 FOOT POUNDS.**
7. **Do not use on PVC pipe unless installation meets pipe manufacturers recommendations or approval. If used with PVC pipe - tighten nuts evenly to 30 foot pounds. Overtightening can cause failure of the pipe.**
8. After the corporation stop has been installed, recheck saddle torque and tighten if necessary.
9. A.Y. McDonald double strap saddles are designed to withstand water working pressure up to but not exceeding the working pressure rating of the pipe. **Use only on a cold water service.**
10. Saddle testing should be accomplished while services are exposed and prior to backfilling.

**WARNING:** Not for use in applications with frequent cyclic loading such as air blow off valves on water and sewer force mains.

3210-380

4/22

## WARNING!



**WARNING:** It is unlawful in **CALIFORNIA & VERMONT (effective 1/1/2010); MARYLAND (effective 1/1/2012); LOUISIANA (effective 1/1/2013) and the UNITED STATES OF AMERICA (effective 1/4/2014)** to use any product in the installation or repair of any public water system or any plumbing in a facility or system that provides water for human consumption if the wetted surface area of the product has a weighted average lead content greater than 0.25%. This prohibition does not extend to service saddles used in California, Louisiana or under USA Public Law 111-380.



# Pipe O.D. Chart

Nom. O.D.	IPS PVC/HDPE Steel Size O.D.	DIP PVC C900/C905 O.D.	Cast Iron		Asbestos - Cement				Steel		Copper
			Classes		O.D.	Class	Machined End O.D.	Rough-Barrel O.D. (Min-Max)	Type	O.D.	O.D.
			Pit	Spun							
2"	2.38	2.50			2.50				STD	2.38	2.125
2 1/2"	2.88								STD	2.88	2.625
3"	3.50		A		3.80	100	3.74	4.00	O.D.	3.00	3.125
			B, C, D,	50 - 350	3.96	150	150	3.84	STD	3.50	3.125
						200	3.84	4.29			3.125
4"	4.50	4.80	A	50 - 350	4.80	100	4.64	4.79 - 5.14	O.D.	4.00	4.125
			B, C, D		5.00	150	4.81	4.97 - 5.27	STD	4.50	4.125
						200	4.81	5.22 - 5.57			4.125
6"	6.63	6.90	A	50 - 350	6.90	100	6.91	7.05 - 7.40	O.D.	6.00	6.125
			B, C, D		7.10	150	6.91	7.07 - 7.37	STD	6.63	6.125
			E, F		7.22	200	6.91	7.26 - 7.56			6.125
8"	8.63	9.05	A, B	50 - 300	9.05	100	9.11	9.22 - 9.57	O.D.	8.00	
			C, D	350	9.30	150	9.11	9.27 - 9.57	STD	8.63	
			E, F		9.42	200	9.11	9.39 - 9.74			
10"	10.75	11.10	A, B	50 - 200	11.10	100	11.24	11.42 - 11.77	O.D.	10.00	
			C, D	250 - 350	11.40	150	11.66	11.82 - 12.12	STD	10.75	
			E, F		11.60	200	11.66	11.77 - 12.12			
12"	12.75	13.20	A, B	50 - 200	13.20	100	13.44	13.69 - 14.04	O.D.	12.00	
			C, D	250 - 350	13.50	150	13.92	14.08 - 14.38	STD	12.75	
			E, F		13.76	200	13.92	14.03 - 14.38			
14"	14.00	C900/C905 15.30	A, B	50 - 100	15.30	100	15.07	15.40 - 15.80	O.D.	14.00	
			C, D	150 - 300	15.65	150	16.22	16.38 - 16.73			
			E, F		15.98	200	16.22	16.48 - 16.88			
16"	16.00	C900/C905 17.40	A, B	50 - 100	17.40	100	17.14	17.54 - 17.94	O.D.	16.00	
			C, D	150 - 300	17.80	150	18.46	18.62 - 18.97			
			E, F		18.16	200	18.46	18.79 - 19.19			
18"	18.00	C900/C905 19.50	A, B	50 - 100	19.50	100	19.90	20.44	STD	18.00	
			C, D	150 - 250	19.92	150	20.94	21.20			
			A, B	50 - 100	21.60	100	22.12	22.50	STD	20.00	
20"	20.00	C900/C905 21.60	C, D	150 - 200	22.06	150	23.28	23.54			
24"	24.00	C900/C905 25.80	A, B	50 - 100	25.80	100	26.48	27.17	STD	24.00	
			C, D	150 - 250	26.32	150	27.96	28.22			
30"	30.00	C900/C905 32.00	A, B	50 - 100	32.00				STD	30.00	
			C, D	150 - 250	32.74						
36"	36.00	C900/C905 38.30	B	50 - 350	38.30				STD	36.00	

**Note:** Outside diameters and specifications vary. Above dimensions are approximate  
Determine pipe O.D. before ordering

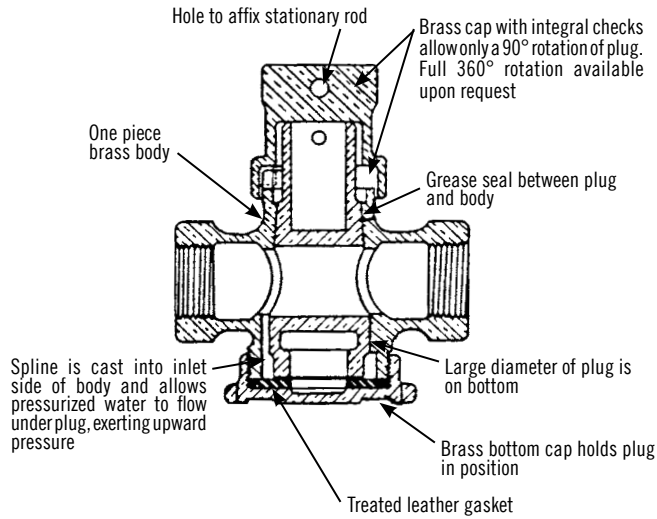


# Curb Stops

Ball Valves - Regular & Minneapolis Pattern | Stop & Drain Ball Valves | Inverted Plug Valves - Regular Pattern  
Tapered Plug | Port Angle Curb Valves

Engineering

## Inverted Plug Design



Inverted Plug style valves have the large diameter of the plug at the bottom of the valve. The plug is held in position by the bottom cap which also contains a treated leather gasket. A spline is cast into the Inlet side of the valve body to allow water at the main pressure to go under the plug, exerting an upward pressure on the plug which reseats it after cycling.

To cycle the valve, hit down on the top of the plug or rod. This forces the plug down slightly, breaking the plug away from the body taper, thus lowering the turning torque momentarily (the leather gasket in the bottom cap absorbs the blow). Water pressure from the main then reseats the plug. The valve must be placed on a brick or other solid foundation to properly support valve when it is hit to lower turning torque.

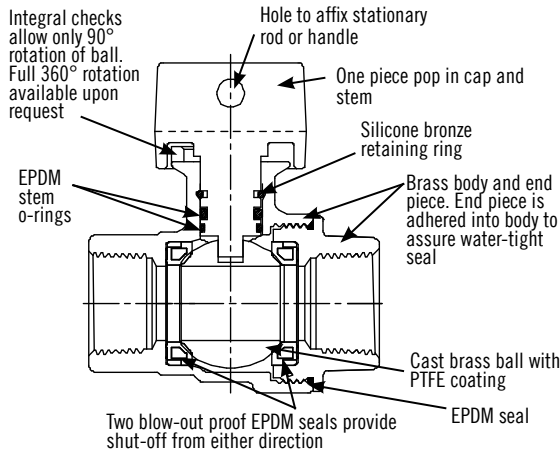
All styles of end connections are available as well as Minneapolis Pattern Curb Box Threads.

- Available with FNPT threads, flare or Compression ends
- All inverted plug curb stops have an arrow cast into body indicating proper direction of flow
- 5/8" curb stops have 3/4" end connections

MAXIMUM PRESSURE RATING of Inverted Plug Style Curb Stops	SIZE
100 PSIG Water	1/2" - 1"
80 PSIG Water	1 1/4" - 2"



## Ball Valve Design



A.Y. McDonald's Ball Valve Curb Stops maintain their low turning torques and bubble-tight 300 PSIG water pressure rating due to the PTFE coated brass ball that is supported by two EPDM seals. McDonald Ball Curb Stops offer positive shut-off from either direction.

McDonald Ball Curb Stops are available with a wide variety of end connections and also with Minneapolis Curb Box Threads.

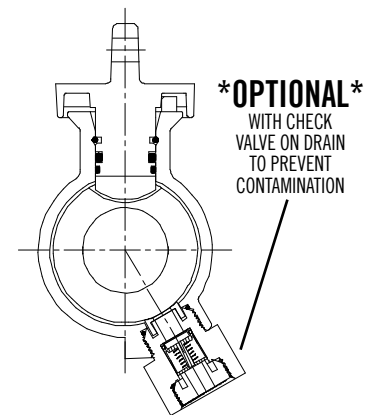
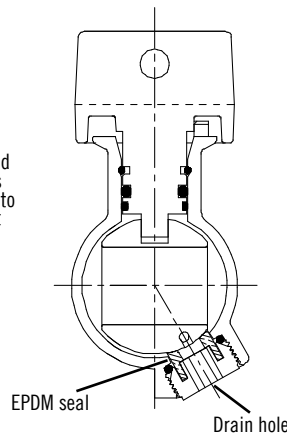
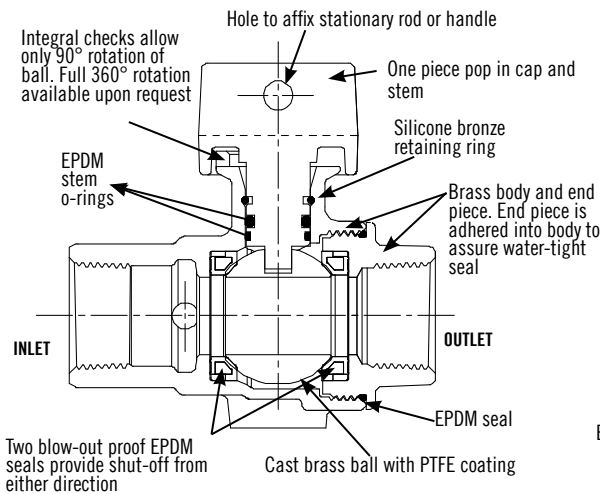
Stainless steel, brass and fixed brass handles available.

A brass 2" square operating head that is easily pinned to existing curb stops is available separately.

**MAXIMUM PRESSURE RATING  
of Ball Style Curb Stops**  
300 PSIG Water

- Available with FNPT, MNPT threads, flare or Compression ends
- Ball style curb stops are non-directional

## Stop and Drain Ball Valve Design



A.Y. McDonald's Stop and Drain Ball Valve Curb Stops maintain their low turning torques and bubble-tight 150 PSIG water pressure rating due to the PTFE coated brass ball that is supported by two EPDM seals. A.Y. McDonald Stop and Drain Ball Curb Stops offer positive shut-off from inlet direction only.

A.Y. McDonald Ball Stop and Drain Curb Stops are available with a wide variety of end connections and also with Minneapolis Curb Box Threads.

Stainless steel, brass and fixed brass handles available.

A brass 2" square operating head that is easily pinned to existing curb stops is available separately.

Available with FNPT, MNPT threads, flare or Compression ends

**MAXIMUM PRESSURE RATING  
of Stop & Drain Style Ball Valves**  
150 PSIG Water

### Lockwing Hole Diameter

5/8" & 3/4" Ball Valve - .44"  
1", 1 1/4", 1 1/2" & 2" Ball Valve - .50"



### Lockwings

are available on many A.Y. McDonald Curb Stops. Look for the "W" in the model number on the following pages. Example: 76100W  
Angle meter valves are standard with lockwing. So the "W" is not required in the model number.



### Flathead

Curb stops with a flathead are without lockwings.

Materials meet or exceed A.W.W.A. standard C-800



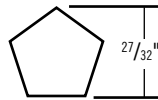


# Curb Boxes

## Arch & Minneapolis Pattern | Lids & Rods

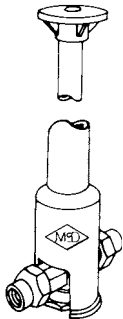
We recommend that the length of curb box used for a specific bury be six inches longer than final grade. *Example:* If final grade is five foot, we recommend a 5 1/2" foot maximum extended length curb box. This will allow 6" for grade change in either direction.

- Steel upper sections telescope up and down within the base casting by 12".
- Available lengths shown are listed at maximum extension.
- When curb box is supplied with stationary shut-off rods, the rods are 18" shorter than the Curb Box, at its maximum extension.
- Base sections and lids are made of cast gray iron.
- All pentagon plugs have a 27/32" point to flat size.
- Upper sections are held in the desired position by a strong clip ring located inside the top of the base casting.
- A swedged lug at bottom of upper section fits into a cast slot in the base casting to prevent upper section from turning when removing lid or pentagon plug.
- Curb Boxes and Accessories are black dip coated inside and out.
- Curb Boxes are shipped in the retracted position.



Our curb boxes are manufactured in USA with components from Canada. (MODEL 5601, 5607, 5614, 5615, 5622 & 5623) are also available with components made only in the USA. (Add "A" to model number, i.e. 5601A)

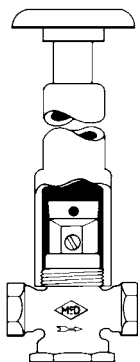
### Arch Base Curb Boxes



The "Arch" or "Y" base casting covers the Curb Stop without being mechanically connected. When required, a stationary shut-off rod is attached (via cotter pin) to the tee head of the Curb Stop and remains in place inside the Curb Box. The top of the shut-off rod is formed in such a manner that it centers the top of the rod inside the upper section of the 1" Curb Box.

Stationary shut-off rods are furnished with Curb Boxes having 1" upper sections and are also available separately.

### Minneapolis Base Curb Boxes



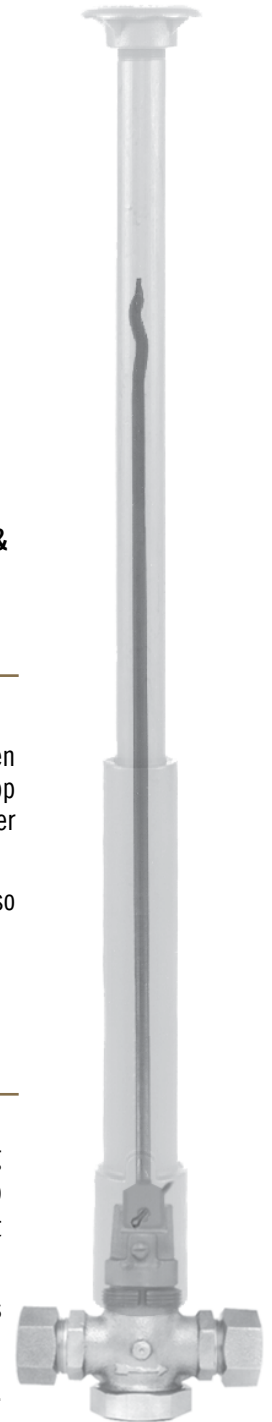
Minneapolis Pattern Curb Boxes have female threads machined into the bottom of the base casting that screw onto the male threads on top of all Minneapolis pattern Curb Stops. Threading the Curb Stop into the Curb Box gives a unified valve/box assembly. This arrangement ensures alignment between the two service line components.

Shut-off rod information noted above is also true when used with Minneapolis Pattern Curb Boxes with 1" upper section.

The charts below identify size of threads in base casting A.Y. McDonald Curb Boxes and Curb Stops.

Ball Style Minneapolis Valve Curb Stops		
Curb Box Base Tapped	1 1/2"	2"
A.Y. McDonald Ball Valve Size	3/4", 1", or 1 1/4" x 1" x 1 1/4"	1 1/4", 1 1/2", 2", or 1 1/4" x 1 1/2" x 1 1/4"

Inverted Plug Type Minneapolis Curb Stops		
Curb Box Base Tapped	1 1/2"	2"
A.Y. McDonald Inverted Plug Valve Size	3/4"	1"



Engineering



# Cambridge Couplings

The Stainless Steel teeth provide electrical continuity from metallic pipes to the coupling body, eliminating the need for trace wires when metallic pipes are used. Accommodates pipes that are slightly oval or slightly deformed, saving time and materials in some sizing situations. The Cambridge Coupling has a 300 PSI working pressure rating and is simple to use. The connection is shipped ready to use, simply insert the pipe and tighten.



\*Stainless Steel Insert Required

## Dimensional Range

The Cambridge Couplings offers the greatest range of all couplings currently available; with a range of up to 0.400". The range of each coupling overlaps slightly to accommodate different installation scenarios. That is more than 3/8" range from the minimum to maximum pipe size accommodated. See table below for specific sizing.

## Design features:

- The gripper body will form to the pipe OD and be in full contact and support the pipe around its entire circumference.
- The rubber seals conforms to the pipe diameter, providing high pressure sealing of the waterway as well as preventing contaminants and soil from entering the gripper area.
- The gripper sub-assembly is symmetrical, and therefore works in either direction regardless of the orientation.
- The gripper sub-assembly provides a snug fit in the nut, preventing loss of the gripper and seals in the trench.
- Accommodates pipes that are slightly oval or slightly deformed, saving time and materials in some sizing situations.

Pipe Material	Stainless Steel Insert	Nominal Pipe Size and Model # Call-outs						
		1/2"	5/8"	3/4"	1"	1 1/4"	1 1/2"	2"
Copper (CTS)	Not Required	U2	U2, U3	U2, U3	U3, U4	U4, U5	U5, U6	U7
Polybutylene, Polyethylene, PET, PEX SDR9 (CTS)	6133T	U2	U2, U3	U2, U3	U3, U4	U4, U5	U5, U6	U7
Galvanized Steel (IPS)	Not Required	U2, U3	-	U3, U4	U4, U5	U5, U6	U6	U7
Polyethylene SDR9, SDR11 (PEP-OD)	SDR9 (6137), SDR11 (6138)	-	-	U3, U4	U4, U5	U5, U6	U6	U7
PVC	Not Required	U2, U3	-	U3, U4	U4, U5	U5, U6	U6	U7
Polybutylene, Polyethylene, PET, PEX SIDR7 (PEP)	6136	U2, U3	-	U3, U4	U4, U5	U6	U7	-
Lead Pipe - Strong (S or A)	Not Required	U2, U3	U3, U4	U4	U5	U5, U6	U6, U7	-
Lead Pipe - Extra Strong (XS or AA)	Not Required	U2, U3	U3, U4	U4	U5	U6	U7	-
Lead Pipe - Double Extra Strong (XXS or AAA)	Not Required	U3	U4	U4, U5	U5	U6	U7	-

## Pipe OD Range Per Size

Model # Call-outs	Inches		Model # Call-outs	Inches	
	Min.	Max.		Min.	Max.
U2	0.600"	0.900"	U5	1.300"	1.700"
U3	0.735"	1.135"	U6	1.600"	2.000"
U4	1.000"	1.400"	U7	1.969"	2.381"



# RANGER Fittings - Patented

## THE RANGER IS A GAME CHANGER.

Too many fittings on your shelf? Too many choices? Keep it simple. A.Y. McDonald's RANGER fitting not only saves you time, but also allows the user to do more with less. The unique design of the RANGER allows it to assemble onto multiple ranges of nominal pipe diameters from CTS up to PVC and comes available in 3/4", 1", 1 1/4", 1 1/2", or 2" sizes. When you know the size of service line in the ground, but you don't know the exact type of pipe, grab the RANGER. When you don't know what fitting is stocked on your shelf or don't have room to stock multiple fittings, make your life easier. Stock the RANGER!

P.S. It installs in half the turns as a regular fitting!

Engineering



# 99

## Fittings

### in Your

### Hand



At A.Y. McDonald, you aren't just getting a product; you are getting an innovative solution, access to educational opportunities, and the ability to be treated like family. The customer is the boss and we aim to break the mold on how we reach customer satisfaction. Because in the end, without you, there would be no us.



# RANGER Fittings - Patented

A.Y. McDonald's RANGER fittings are designed with You, our Customer, the Boss in mind. The unique design of the RANGER allows it to assemble onto multiple ranges of 3/4", 1", 1 1/4", 1 1/2", or 2" nominal pipe diameters from CTS up to PVC. It not only saves time, but the design of this wide-range fitting also reduces inventory by replacing up to 99 compression connections. When you know you have a 3/4", 1", 1 1/4", 1 1/2", or 2" service line in the ground, but you don't know the exact type of pipe, grab the RANGER. When you don't know what fitting is stocked on your shelf or don't have room to stock multiple fittings, stock one fitting. Stock the RANGER!



Engineering



74753-11  
RANGER x MNPT Adapter



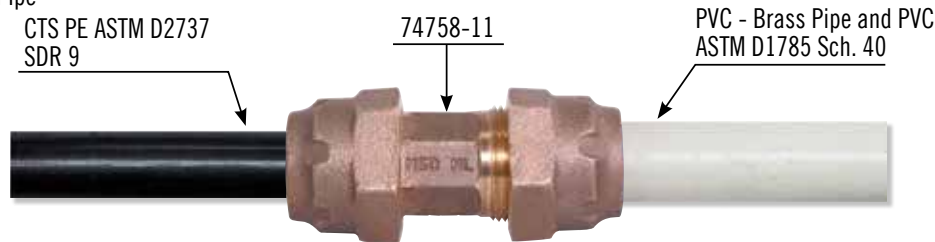
74758-11  
RANGER x RANGER Coupling



74754-11  
RANGER x FNPT Adapter

**The 3/4" RANGER will fit on the following types of pipes:**

- CTS – Copper Tube Type K or L
- CTS – PEX Tubing ASTM F876 SDR 9 CSA B137.5
- PEP – Polybutylene ASTM D2662 SIDR7
- PEP – Polyethylene ASTM D2239 SIDR7
- PEP – Polyethylene ASTM D2239 SIDR9 Polyethylene Pipe Size
- PVC – PVC ASTM D1785 SCH. 40
- IPS – Polyethylene ASTM D3035 SDR 9 / SDR 11 OD Controlled Iron Pipe Size
- IP – Steel Pipe
- CTS – Polyethylene ASTM D2737 SDR 9 Tube Size
- CTS – Polybutylene ASTM D2666 SDR 9 Tube Size Class 250



The RANGER is designed with a 301 stainless steel grip ring, a brass friction ring, and an EPDM rubber gasket.

**Features:**

- Manufactured in the United States
- No-Lead C89833, NSF/ANSI/CAN/61-2018, NSF/ANSI 372-2016
- Meet and exceeds AWWA C800-14, which requires fittings to be suitable for a water pressure of 150 PSIG
- Withstands the same pressures as the tubing, but must not be used with pressures exceeding 300 PSIG
- Double Lead Thread allows for compression nut to be assembled in half the time of a standard compression nut and eliminates the possibility of assembling an incompatible nut to these fittings.
- Designed for underground and aboveground cold potable water systems
- Large wrench flats for tightening to torque
- Tighten-to-torque required - noted on installation instructions
- Provides pull-out strength equal to other compression fittings

Insert stiffeners are **required** on all flexible plastic connections.

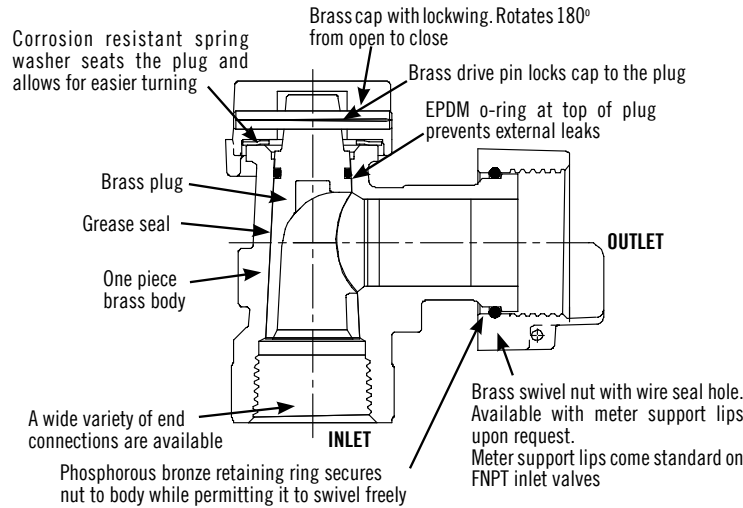




Meter Couplings - Straight & 90° Angle | Angle Valves - Plug, Ball, & Standard Port | Flanges | Straight Valves | U-Branches & Assemblies

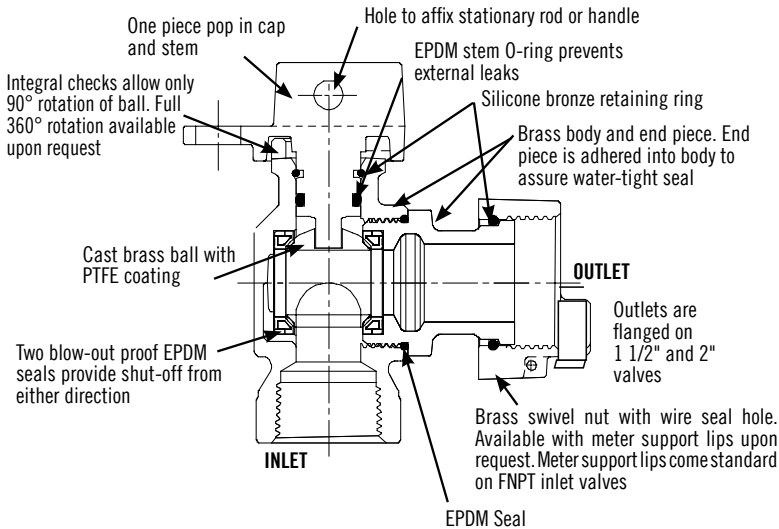
**Plug Angle Valve**

Maximum Pressure Rating = 100 PSIG Water



**Ball Angle Valve**

Maximum Pressure Rating = 300 PSIG Water



**Lockwing Hole Diameter**

5/8" & 3/4" Ball Valve - .44"  
1", 1 1/4", 1 1/2" & 2" Ball Valve - .50"



**Lockwings**

are available on many A.Y. McDonald Curb Stops. Look for the "W" in the model number on the following pages. Example: 76100W  
Angle meter valves are standard with lockwing. So the "W" is not required in the model number.

**Flathead**

Curb stops with a flathead are without lockwings.



Available with FNPT threads, Flare or Compression inlets

All McDonald Valves are inspected repeatedly during the manufacturing process, then each valve is pressure-tested air under water.

Meter Size	5/8"	3/4" Short Meter, 5/8" x 3/4"	3/4"	3/4" x 1"	1"	1 1/2"	2"
<b>A-Meter Threads</b>	3/4"	1"	1"	1 1/4"	1 1/4"	Oval Flange	Oval Flange
<b>B-Lay Length</b>	7 1/2"	7 1/2"	9"	9"	10 3/4"	13"	17"
<b>A.Y. McDonald Spacing*</b>	7 13/16"	7 13/16"	9 5/16"	9 5/16"	11 3/32"	13 1/4"	17 1/4"

\*Allows for meter and two gaskets.

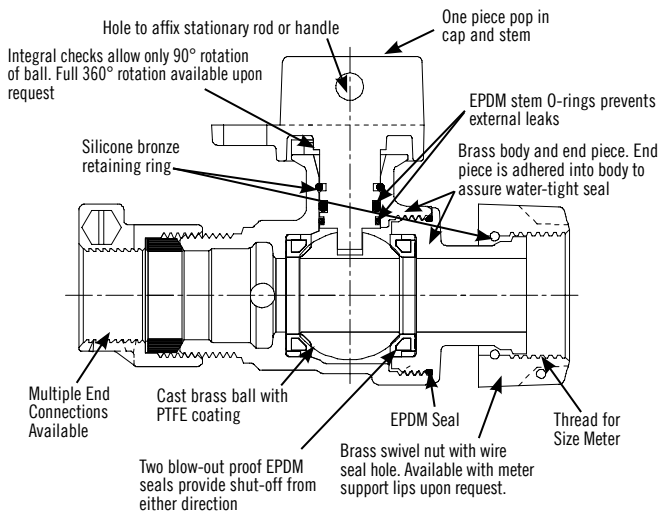




## Codes and Descriptions of Tubing and Pipe which are used with A.Y. McDonald Compression Couplings

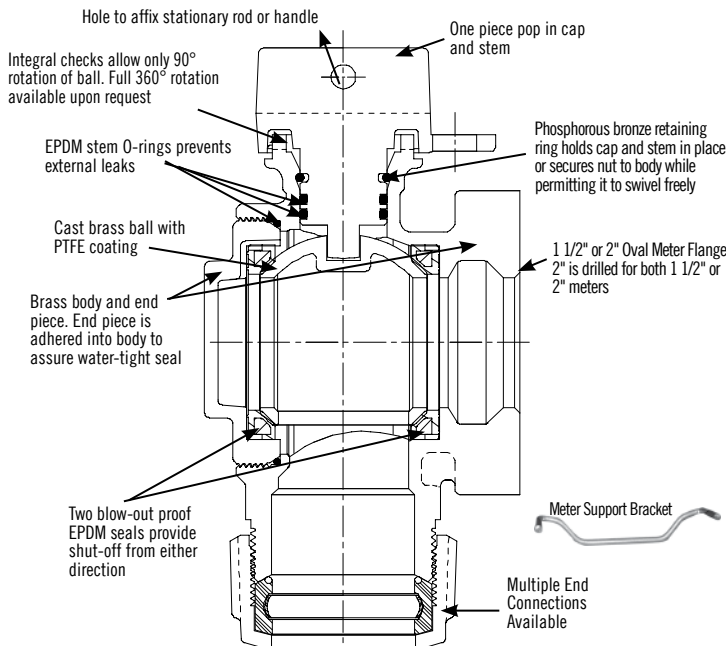
### Inline Meter Ball Valve

Maximum Pressure Rating = 300 PSIG Water



### 1 1/2" & 2" Ball Valve

Maximum Pressure Rating = 300 PSIG Water



#### Lockwing Hole Diameter

5/8" & 3/4" Ball Valve - .44"  
1", 1 1/4", 1 1/2" & 2" Ball Valve - .50

#### Lockwings

are available on many A.Y. McDonald Curb Stops. Look for the "W" in the model number on the following pages. Example: 76100W Angle meter valves are standard with lockwing. So the "W" is not required in the model number.



#### Flathead

Curb stops with a flathead are without lockwings.



**Copper Tube** - the outside diameter is closely controlled by the manufacturer per ASTM specifications.

**Polyethylene (PE) or Polybutylene Tube (PB) – CTS (Copper Tube Size)** – ASTM D2737 SDR 9 or ASTM D2666 SDR 9 – flexible plastic tubing has the same outside diameter as corresponding sizes of copper tube and requires an insert stiffener to support the inside diameter of the tube.

**McDonald Mac-Pak (-22 Series), Tube (T Series), McQuik (Q Series), McGrip (G Series) and Handy-Loc (H Series)** Compression assemblies are all designed to fit copper tube or copper tube size polyethylene or polybutylene. These compression nuts are individually marked with their size and CTS.

**Polyethylene (PEP) or Polybutylene Pipe (PBP)** – ASTM D2239 SIDR7 & 9 or ASTM D2662 SIDR7 – flexible plastic pipe inside diameter controlled. Requires an insert stiffener to support the inside diameter of the tube.

**McDonald Mac-Pak (-33 & -34 Series), McQuik (-3Q Series), McGrip (-3G Series) and Handy-Loc (-3H Series)** Compression assemblies are designed to fit polyethylene or polybutylene pipe. These compression nuts are marked with size and PEP, PEP-7 or PEP-9.

**Polyvinyl Chloride – PVC** – rigid plastic pipe that has the same outside diameter as corresponding sizes of standard iron pipe.

**McDonald Mac-Pak (-44 Series)** Compression assemblies are designed to fit polyvinyl chloride. These compression nuts are marked with sizes and PVC.

**Iron Pipe – IP** – rigid iron pipe in which the outside diameter is closely controlled by the manufacturer per ASTM specifications (can also be galvanized).

**McDonald Mac-Pak (-55 Series)** Compression assemblies are designed to fit iron pipe. These compression nuts are marked with size and IP.

**C903 – Polyethylene-Aluminum-Polyethylene (PE-AL-PE)** - flexible composite pipe that is manufactured and third party certified to ASTM F-1282. This compression assembly can be made from any existing 3/4" or 1" "Q" Series and is designated by replacing the "Q" in the model number with a "K".

**McDonald C903 (K Series)** compression nuts are designed to fit C903 pipe and are marked with size and C903.

**MNPT** - Male National Pipe Thread

**FNPT** - Female National Pipe Thread

**FNPSMT** - Female National Pipe Straight Meter Thread

**MNPSMT** - Male National Pipe Straight Meter Thread



Series 701, 702, 711, 712, 7111, & 7112 | Inline & Angle Single Check Valves | Inline Dual Check Valves  
 Angle & Flanged Dual Check Valves | Inline Accessible Dual Check Valves

- Each valve pressure tested prior to shipment.
- Pressure rated at 175 PSIG.
- Temperature range 34°F to 180°F.
- Union or cap of check valve sealed with o-ring and allows easy access to check for inspection, maintenance or replacement and not dependent on cartridge.
- Cast brass Components AWWA C-800 current revision.
- Check is precision molded of plastic with stainless steel spring.

- Check is designed to hold 1 PSIG in the direction of flow.
- Can be installed in either the horizontal or vertical position.
- Can be field tested.
- Available with a wide variety of threaded or Compression outlet connections.
- Check assembly remains together when removed from body (no loose pieces).

**NOTE:** Change "J" in model number to "H" for meter swivel nut with meter support lip.

**NOTE:** Add "W" in place of "-" for pentagon test plug in cap i.e. 7112-3YE33 = 7112W3YE33.

\*Insert stiffeners are **required** on all flexible plastic connections.



## 701 Inline Single Check Valves



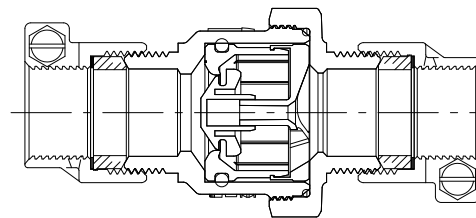
For additional end connection options, see page 14.

A.Y. McDonald's unique Inline Single Check Backflow Valves have a wide variety of inlet / outlet configurations.

Backflow prevention will stop the house water from flowing into a meter pit or on the floor while removing the meter for service.

### Features

- Available with a wide variety of threaded or Compression outlet connections.
- See UFR section for 7201 series with UFR.



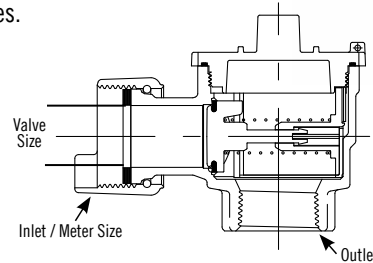
# 702 Angle Single Check Valves

A.Y. McDonald's unique Angle Single Check Backflow Valves have meter swivel nut inlets and a wide variety of outlet configurations. Angle single checks can be ordered on our copper meter setters, resetters, insetters, and iron yokes, or they can be used independently.

Our top cap and unique perpendicular check module design ensures convenient access for inspections, maintenance or replacements without removing the valve from the line. It also allows for a lower profile than traditional top entry check. Backflow prevention will stop the house water from flowing into a meter pit or on the floor while removing the meter for service. This check design has less flow restriction than standard check valves.

## Features

- Angle check valve cap available with Pentagon Test Plug.
- Available with a wide variety of threaded or Compression outlet connections.
- See UFR section for 7202 series with UFR.



Engineering

# 711 Inline Dual Check Valves

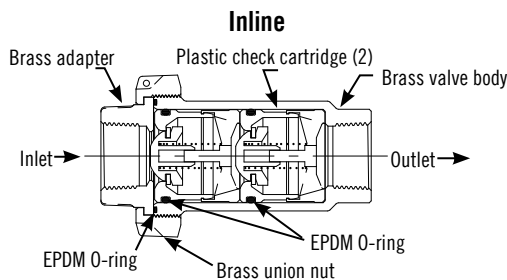
A.Y. McDonald Inline Dual Check Valves protect the public water supply by preventing the reverse flow of water from the building back into the water main. The Series 711 dual check valve is available with a wide variety of end connections to connect directly to water meters or other types of piping.

## Features

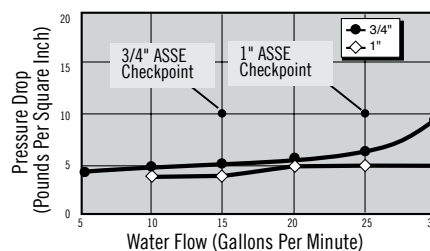
- Available with a wide variety of threaded or Compression connections.
- Dual checks work independently of each other.
- Valve will operate with either check removed.
- Designed Tested to ANSI/ASSE 1024 and CSA B64.6 requirements.
- See UFR section for 7211 series with UFR.



## Components and Repair Parts



For repair kit, order 11-3RK. Kit includes cap o-ring and two cartridges with o-rings.



# 712 Angle Dual Check Valves

A.Y. McDonald's unique Angle Dual Check Backflow Valves have meter swivel nut inlet and a wide variety of outlet configurations. Angle dual checks can be ordered on our copper meter setters, resetters, insetters and iron yokes or they can be used independently.

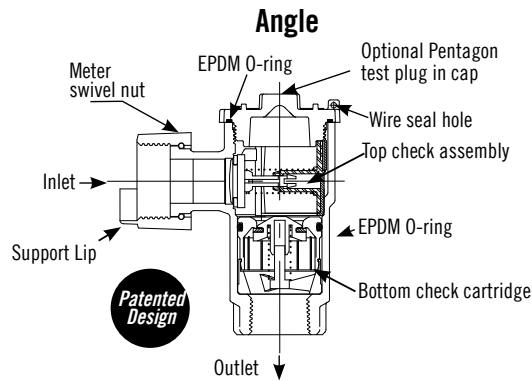
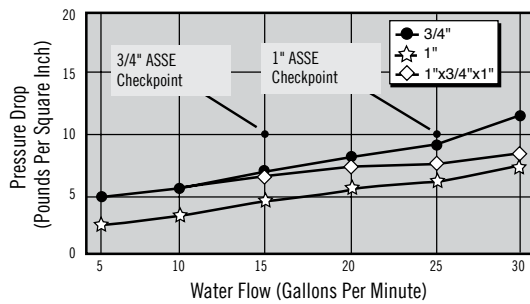
Our top cap and unique perpendicular check module design ensures convenient access to both checks for inspections, maintenance or replacements without removing the valve from the line. It also allows for a lower profile than traditional top entry dual checks. Backflow of water is still deterred if either of the checks are removed or inoperable. This check design has less flow restriction than standard check valves.



## Features

- Angle check valve available with Pentagon Test Plug in cap.
- Available with a wide variety of threaded or Compression connections.
- Dual checks work independently of each other.
- Valve will operate with either check removed.
- Design Tested to ANSI/ASSE 1024 and CSA B64.6 requirements.

## Components and Repair Parts



For repair kit, order 12-3RK. Kit includes top check, bottom check with o-ring and cap o-ring.

# 712 Flanged Angle Dual Check Valves

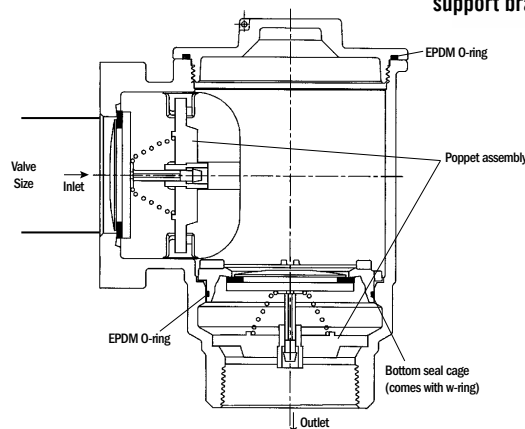
A.Y. McDonald's unique Angle Dual Check Backflow Valves have meter oval flange inlet and FNPT outlet configurations. Angle dual checks can be ordered on our copper meter setters, resetters, insetters and iron yokes or they can be used independently.

Our top cap and unique perpendicular check module design ensures convenient access to both checks for inspections, maintenance, or replacements without removing the valve from the line. It also allows for a lower profile than traditional top entry dual checks. Backflow of water is still deterred if either of the checks are removed or inoperable.



## Features

- Angle check valve available with FNPT tap.
- Dual checks work independently of each other.
- Valve will operate with either check removed.
- Top cap is available with 1", 1 1/2", or 2" FNPT taps.
- Design Tested to ANSI/ASSE 1024 and CSA B64.6 requirements.



# 7111 Inline Accessible Dual Check Valves

A.Y. McDonald's unique **Inline Accessible Dual Check Backflow Valves** have meter swivel nut inlets and a wide variety of outlet configurations.

Our top cap and unique check module design ensures convenient access to both checks for inspections, maintenance or replacements without removing the valve from the line. Backflow of water is still deterred if either of the checks are removed or inoperable.

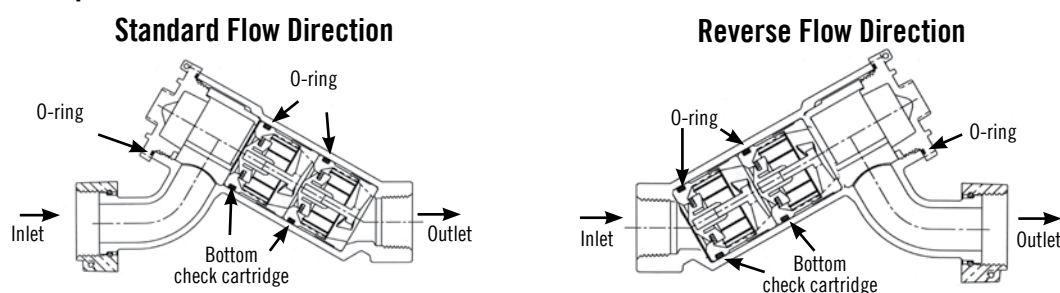


Engineering

## Features

- Available with a wide variety of threaded or Compression connections.
- Dual checks work independently of each other.
- Valve will operate with either check removed.
- Design Tested to ANSI/ASSE 1024 and CSA B64.6 requirements.
- See UFR section for 7214 series with UFR.

## Components and Repair Parts



# 7112 Inline Dual Check Valves

A.Y. McDonald's unique **Angle Dual Check Backflow Valves** have meter swivel nut inlet and a wide variety of outlet configurations. Angle dual checks can be ordered on our copper meter setters, resetters, insetters, and iron yokes, or they can be used independently. This check design has less flow restriction than standard check valves.

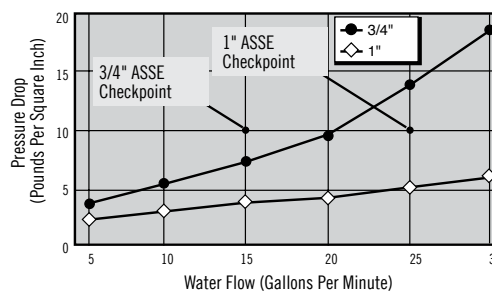
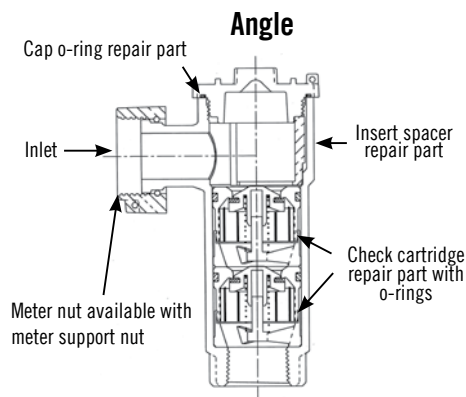
Our top cap and unique check module design ensures convenient access to both checks for inspections, maintenance or replacements without removing the valve from the line. Backflow of water is still deterred if either of the checks are removed or inoperable.



## Features

- Available with a wide variety of threaded or Compression connections.
- Dual checks work independently of each other.
- Valve will operate with either check removed.
- Design Tested to ANSI/ASSE 1024 and CSA B64.6 requirements.
- See UFR section for 7212 series with UFR.

## Components and Repair Parts



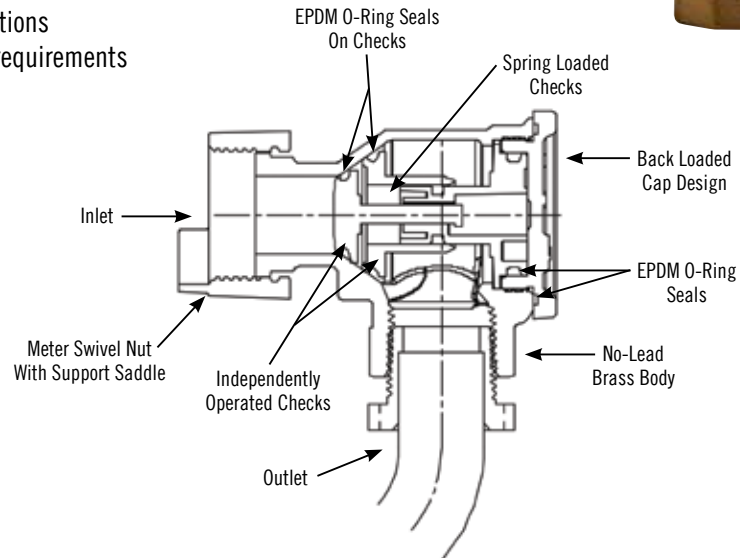


# 7312 Angle Cascading Dual Check

The A.Y. McDonald 7312 series angle dual check valve offers backflow protection up to 175 psi. Connects directly onto a threaded meter so can be ordered on a meter setter, resetter, and insetter. Also available for use with iron yoke bar setting or yoke bar setting.

## Features

- Available with FNPT connection
- Checks work independently of each other
- Available with meter swivel nut and yoke bar connections
- Designed tested to ANSI/ASSE 1024 and CSA B64.6 requirements
- No-lead brass conforms to ASTM B584, UNS 89833



**Series 7201 / 7201C, 7202, 7211 / 7212, 7214, & 714U | Meter Setters & Resetters**

**THE PROBLEM: NON-REVENUE WATER**

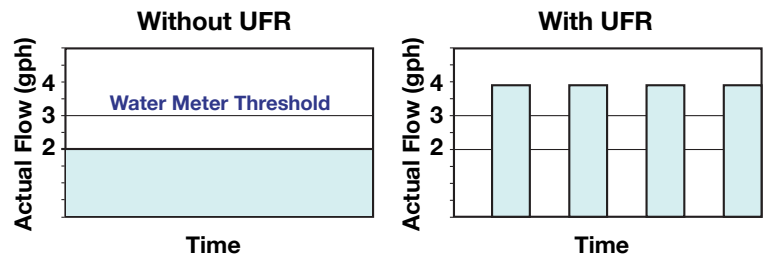
Every water system has to cope with non-revenue water. Main leaks, theft, tank overflows and unmeasured flow through water meters all contribute to a system's non-revenue water problem. According to the American Water Works Association (AWWA), 14% of indoor household usage in North America can be attributed to leaks. As residential water meters aren't designed to register low-flows such as leaks and drips, much of this usage goes un-metered and un-billed. This type of non-revenue water is called "apparent loss" and is valued at the retail water rate. For systems in which waste water is also billed based on water consumption, this apparent loss is valued at the retail rate for water and waste water combined. Apparent losses through residential water meters can add up to millions of dollars annually in non-revenue water and sewer.

**THE SOLUTION - THE UNMEASURED-FLOW REDUCER (UFR):**

The UFR captures this low-flow water and forces it through the meter in a way that causes nearly every drop to be registered. Apparent losses are reduced and customers are held accountable for their actual usage.

**HOW THE UFR WORKS**

The UFR works by changing the way water flows through the meter at low flow rates. At low flow rates there is not enough energy in the flow to activate the water meter. With the UFR installed, the low linear flows are divided into batches that are forced through the meter at a higher flow rate (see chart below). These higher flows can now be registered by the water meter, reducing apparent losses and increasing revenue.

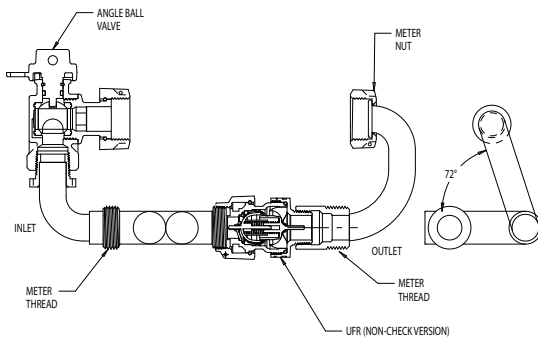


At standard household flow rates, the UFR is fully open, allowing water to flow normally with minimal head loss. As flow is reduced, the UFR returns to its operation of batching the water flow.

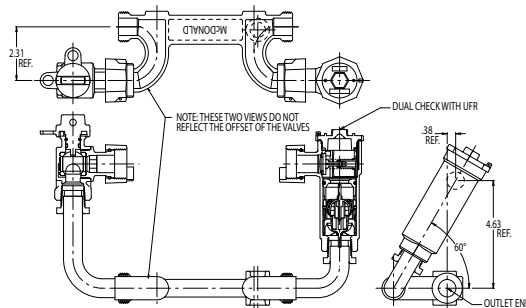
**THE RESULTS**

UFR installations can increase metered residential water and sewer revenue by as much as five to ten percent. Customers are held accountable for their actual usage and the system's apparent losses are reduced considerably. Customers that are held accountable for their usage are more likely to fix leaks and conserve our most precious resource, clean water.

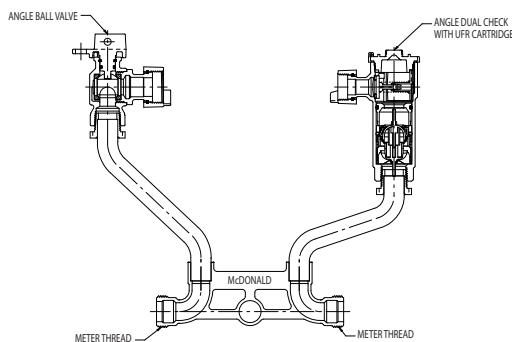
The UFR can be conveniently added to most A.Y. McDonald meter setters and resetters. Please contact the factory for pricing and availability.



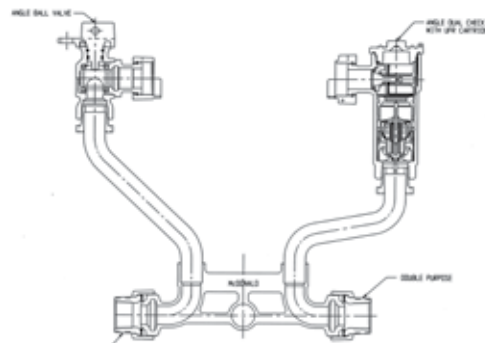
**710 Series Meter Resetter**



**717 Series Meter Resetter**



**718 Series Meter Resetter**



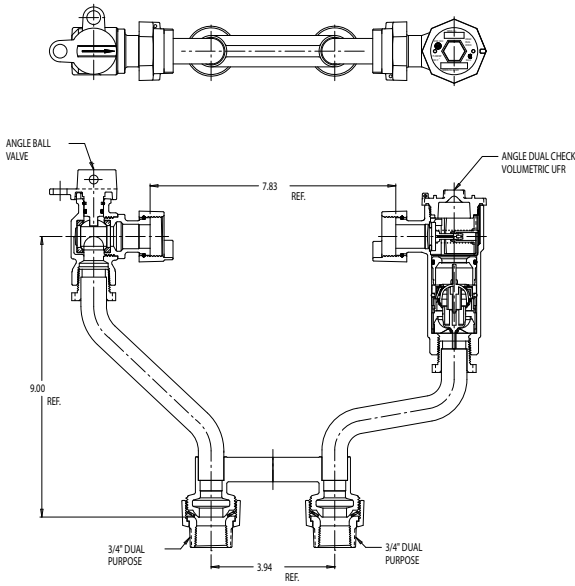
**720 Series Meter Resetter**

U.F.R. technology provided by A.R.I.

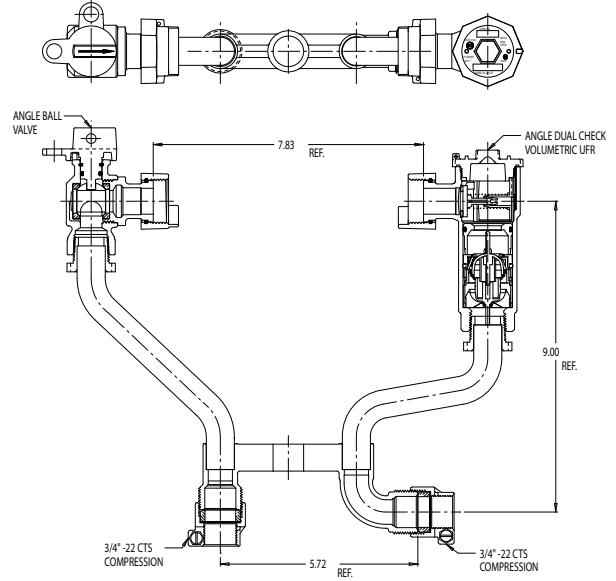
Flow Control Accessories LTD - Patent Pending



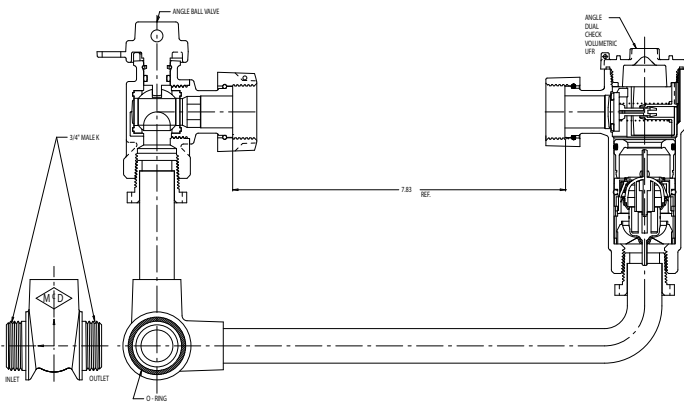
**THERMAL EXPANSION WARNING** - Creating a "closed" condition in a hot water system with the installation of a non-return barrier (such as a Check Valve or Backflow Preventer between the system piping and the public supply) can result in extreme pressure rises caused by thermal expansion and/or water hammer. This thermal expansion can damage piping, valves, and other Components in the system. The installation of a pressure relief device or thermal expansion tank can avoid possible damages.



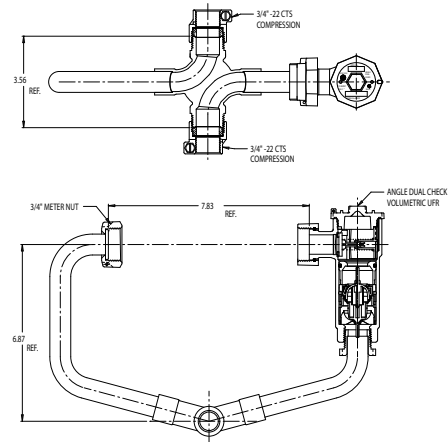
730 Series Meter Setter



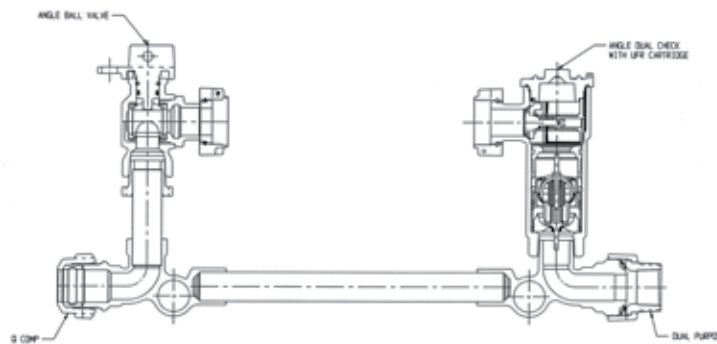
739 Series Meter Setter



741 Series Meter Setter



739 Series Meter Setter



770 Series Meter Setter



# City of Dubuque - Contribution of UFR to “Smart Metering” Leak Detection System

## Project Background:

In January of 2010, the City of Dubuque, Iowa began a change-out of its 22,500 existing water meters to new positive displacement (PD) meters. The project included an upgrade to a fixed base radio read network and implementation of over 18,000 Unmeasured-Flow Reducers (UFRs) by A.Y. McDonald Manufacturing Company. As part of the City’s “Smarter Sustainable Dubuque” project, the intent was to be able to accurately measure consumption and notify residents of potential leaks in their homes, allowing them to consider corrective measures which translate into “smarter” water use.



Engineering

## Installation:

With the project complete, the City of Dubuque has installed 21,966 3/4” or smaller water meters. Of those, 18,699 were installed with a UFR meter coupling or with the UFR in a 10 series resetter. 3,267 services received no UFR due to PRV’s or RPZ’s located directly after the meter. The new PD meters, installed in the basement, utilize a digital data-logging register that transmits a signal to a meter interface unit (MIU) placed on the outside of the home.

## Leak Detection Technology:

The register logs 96 data points every 24 hours (15 minute read intervals) and transmits that information to an MIU which then uploads the information via the fixed base radio network to the City’s server once every 24 hours. The registers are equipped with a leak indicator that registers a leak based on the following criteria. If 56 to 95 of the 96 data points show usage, the system considers the home to have an intermittent leak. If all 96 of the data points show usage, the system considers the home to have a continuous leak.

## The UFR Factor:

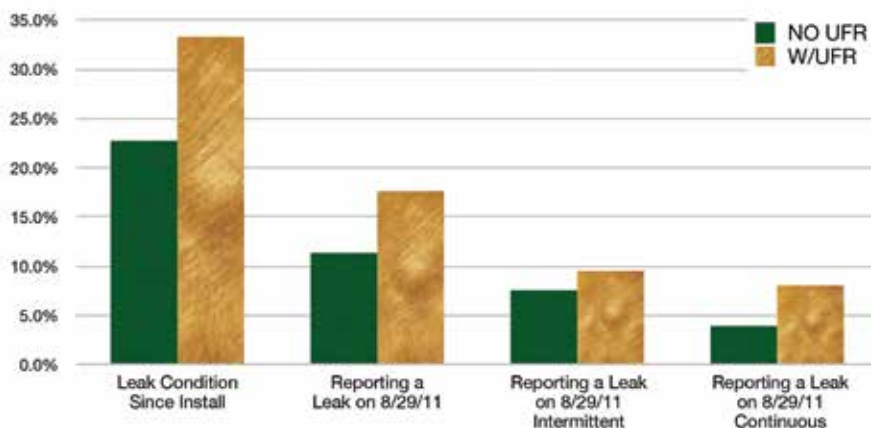
Even when installed in conjunction with one of the most accurate water meters available today, the UFR’s contribution to the accuracy of the newly installed meters and the above mentioned leak detection system is dramatic:

Of the 3,267 new meters installed without UFR’s:

- 22.7% have registered a leak condition since install
- 11.4% were reporting a leak condition on 8/29/11
  - 7.5% intermittent
  - 3.9% continuous

Of the 18,699 new meters installed with UFR’s:

- 33.3% have registered a leak condition since install
- 17.7% were reporting a leak condition on 8/29/11
  - 9.6% intermittent
  - 8.1% continuous



## Conclusion:

The UFR’s contribution to the ability of the system to detect, report and measure leakage is as follows:

- On services with UFR’s, an additional 10.6% of the meters have registered a leak condition since install.
- On services with UFR’s, an additional 6.3% of the meters were reporting a leak condition on 8/29/11.

For more information about the UFR: [www.ayufr.com](http://www.ayufr.com)

For more information about the City of Dubuque’s meter change-out project: [www.cityofdubuque.org](http://www.cityofdubuque.org) and search “UFR”.

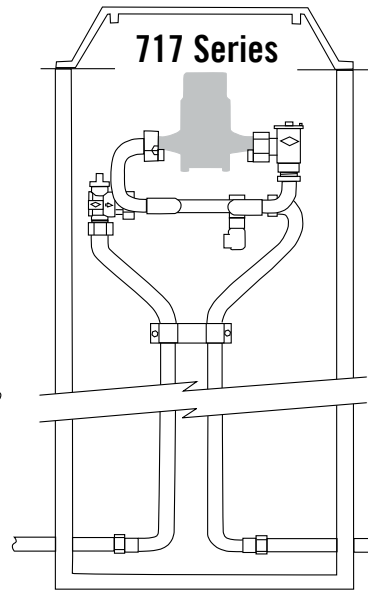
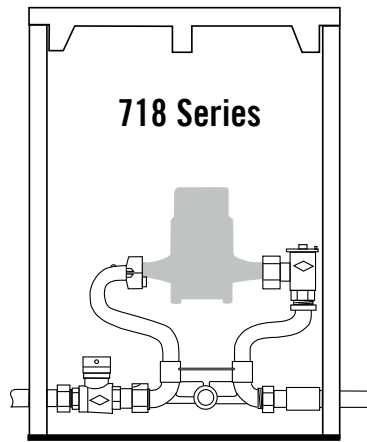
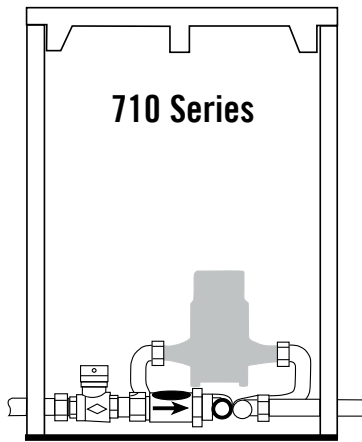


## 5/8", 5/8" x 3/4", 3/4", 1", 1 1/2", & 2" | Horizontal and Vertical Inlet / Outlet Series 710, 717, 718, 719, 768, 758, 718

A.Y. McDonald Mfg. Co. Resetters offer a wide variety of options for resetting your current water meter to various heights and locations. Resetters are used where the meter is already installed and the service lines are in place, but the meter needs to be relocated above or next to the current line. A.Y. McDonald Mfg. Co. resetters provide you with an array of variations that will see you through any relocation project.

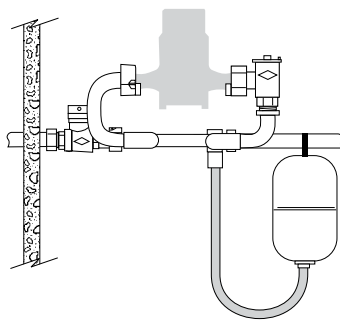
Common resetter installations are shown below. You can customize your resetter solution on the pages within, or contact our factory professionals to help you through.

- Brass materials meet or exceed AWWA C-800 (latest revision)
- Copper tubing has a 13/16" O.D. for 5/8", 5/8" x 3/4" or 3/4" meter resetters, 1 1/8" O.D. for 1" meter resetters, 1 5/8" for 1 1/2" meter resetters and 2 1/8" for 2" meter resetters.
- Solder is no-lead.
- EPDM rubber gaskets are furnished as standard. Contact factory for fiber or leather gaskets.
- All meter resetters are factory tested air under water at 85 PSIG.
- Brass support bar is standard on 18" and higher meter resetters.
- Meter resetter heights over 24" available on special order.
- All meter swivel nuts have wire seal hole.
- Lockwing ball style meter valves are standard.
- Meter swivel nuts with meter support saddle are standard, except where noted.
- All copper meter resetters can be supplied with a test valve on the outlet tubing.
- For dual check backflow valves, see single / dual check section..
- Brace eye hole accepts 1/2" iron pipe or PVC for 5/8", 5/8" x 3/4" and 3/4" meters and 1" vertical meter resetters.
- Brace eye hole accepts 3/4" iron pipe or PVC for 1", horizontal meter resetters.
- Brace eye hole accepts 1" iron pipe or PVC for 1 1/2" & 2", horizontal meter resetters.



### 717-204XDCA

Series 717 with Backflow Preventer and Thermal Expansion Tank (Tank must be purchased separately).



### 717-204XDCC

Series 717 used to retrofit existing high rise meter pit and standard meter resetter with backflow preventer and pressure relief valve.



**THERMAL EXPANSION WARNING** - Creating a "closed" condition in a hot water system with the installation of a non-return barrier (such as a Check Valve or Backflow Preventer between the system piping and the public supply) can result in extreme pressure rises caused by thermal expansion and/or water hammer. This thermal expansion can damage piping, valves, and other Components in the system. The installation of a pressure relief device or thermal expansion tank can avoid possible damages.



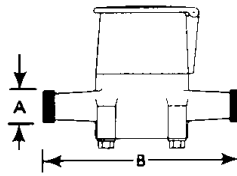


# 710 SERIES

The A.Y. McDonald Meter Resetter is a unique and patented product designed to easily retrofit existing meter installations to include a dual check backflow preventer, or pressure relief valve. This is accomplished without the high risk of cutting into old service lines, or the expensive process of digging up and replacing existing meter boxes or pits. This retrofitting can be easily performed in even the most confined meter boxes.



**Before**  
NOTE: Meter box sold separately



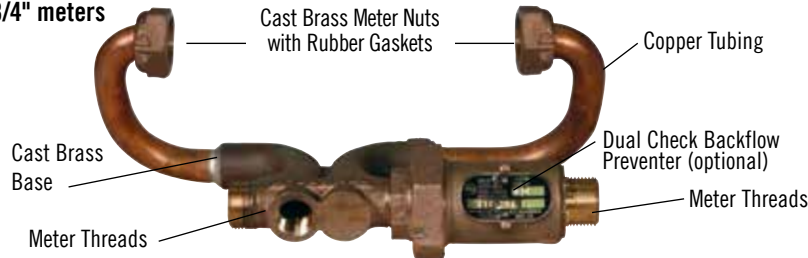
**Meter Dimensions**

METER SIZE	5/8"	5/8" x 3/4"	3/4"
A-Meter Threads	3/4"	1"	1"
B-Lay Length	7 1/2"	7 1/2"	9"
A.Y. McDonald Spacing*	7 13/16"	7 13/16"	9 5/16"



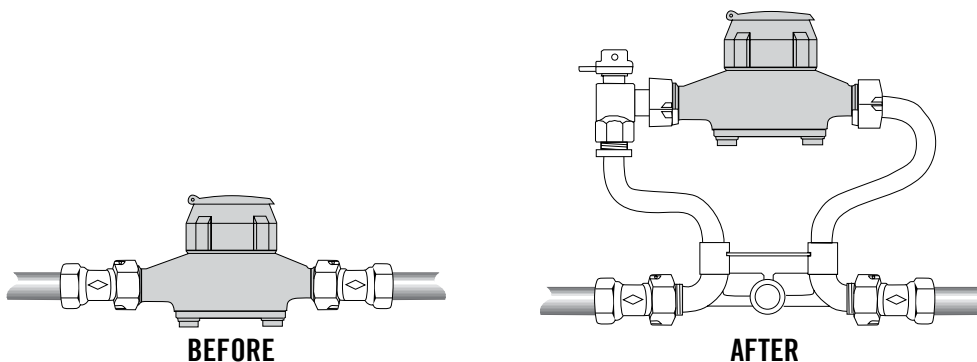
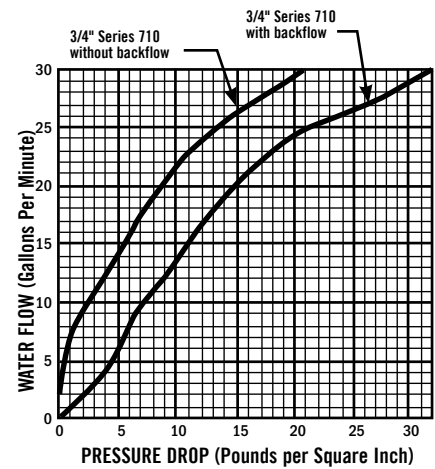
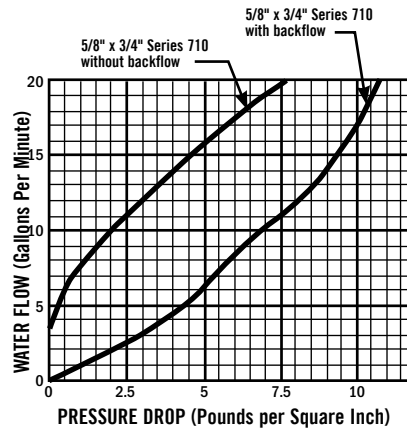
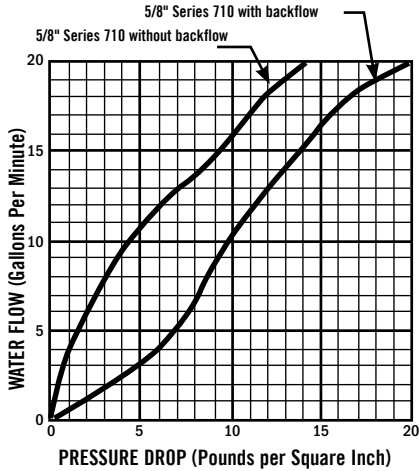
**After**  
NOTE: Meter box sold separately

Available for 5/8", 5/8" x 3/4", or 3/4" meters



Patent No. 4,691,727

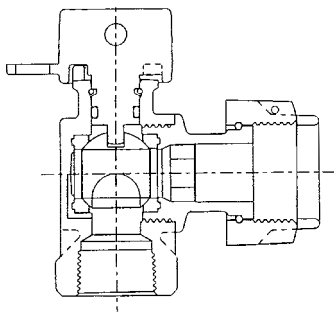
## Pressure Loss Data



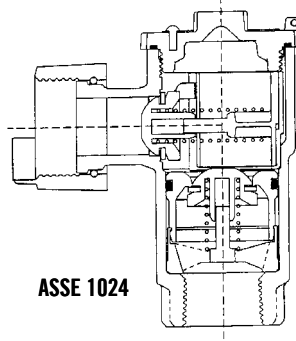
**THERMAL EXPANSION WARNING** - Creating a "closed" condition in a hot water system with the installation of a non-return barrier (such as a Check Valve or Backflow Preventer between the system piping and the public supply) can result in extreme pressure rises caused by thermal expansion and/or water hammer. This thermal expansion can damage piping, valves, and other Components in the system. The installation of a pressure relief device or thermal expansion tank can avoid possible damages.

# Sectional View

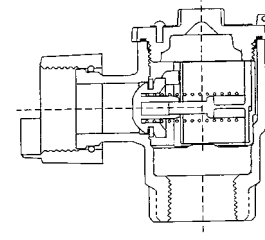
Engineering



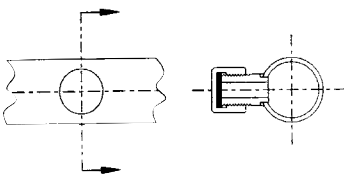
Angle Meter Valve Ball Style



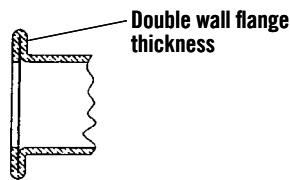
Angle Dual Poppet Check Valve  
ASSE 1024



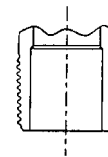
Single Poppet Check Valve



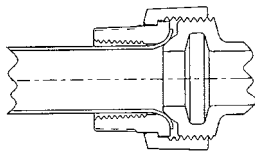
Test Valve in Tubing



Copper Tube Flange

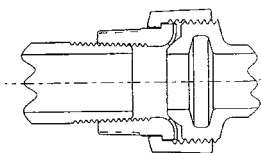


Male National Pipe Threads

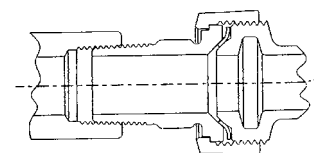


Flare

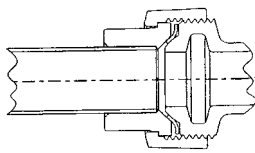
DOUBLE PURPOSE



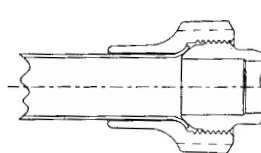
Female National Pipe Threads



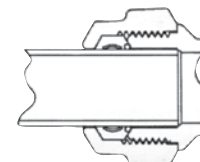
Male National Pipe Thread Union



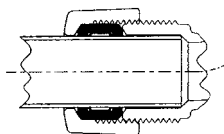
Solder Union



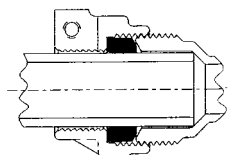
Flare



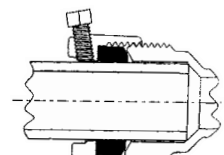
Q & 3Q Series McQuick  
Compression - Tighten to Stop



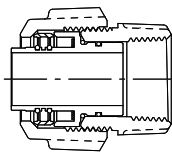
T CTS Tube Compression



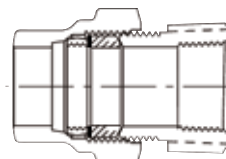
-22, -33, -44 Series  
Mac Pak Compression.



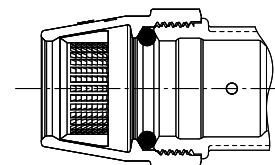
-55 Series Mac Pak Compression



"J" C903 - Tighten to Stop



"G" McGrip - Tighten to Stop



"H" Handy-Loc



**5/8", 5/8" x 3/4", 3/4", 1", 1 1/2", & 2" | Horizontal and Vertical Inlet / Outlet | Tandems**  
**Series 720, 721, 722, 723, 724, 725, 726, 727, 728, 729, 730, 731, 732, 737, 738, 739, 760-763, 770**

- Brass materials meet or exceed AWWA C-800 (latest revision)
- Copper tubing has a 13/16" O.D. for 5/8", 5/8" x 3/4" or 3/4" meter setters, 1 1/8" O.D. for 1" meter setters, 1 5/8" for 1 1/2" meter setters and 2 1/8" for 2" meter setters.
- Solder is no-lead.
- EPDM rubber gaskets are furnished as standard. Contact factory for fiber or leather gaskets.
- All meter setters are factory tested air under water at 85 PSIG.
- Brass support bar is standard on 18" and higher meter setters.
- Meter setter heights over 24" available on special order.
- All meter swivel nuts have wire seal hole.
- Lockwing ball style meter valves are standard.
- Meter swivel nuts with meter support saddle are standard, except on tandem style meter setters.
- All copper meter setters can be supplied with a test valve on the outlet tubing.
- For dual check backflow valves, see Dual Check Section.
- Brace eye hole accepts 1/2" iron pipe or PVC for 5/8", 5/8" x 3/4" and 3/4" meters and 1" vertical meter setters.
- Brace eye hole accepts 3/4" iron pipe for PVC for 1", horizontal meter setters.
- Brace eye hole accepts 1" iron pipe or PVC for 1 1/2" & 2", horizontal meter setters.

## Tandem Meter Setters

**Series 750, 751, 752, 753, 754, 755, 756, 757, 758, & 759**

**Meter Sizes:**

5/8", 5/8" x 3/4", 3/4" and 1"

**Heights: 07", 09", 12", 15", 18", 21", 24"**

12" minimum on 1" meter  
 Other heights on special order

**Meter Valve/Nut Options:**

- A = Check valve with plain meter nut (no lip) on outlet
- F = Angle dual check valve with plain meter nut (no lip) on outlet (ASSE 1024)
- K = Full port angle lockwing ball valve 300 PSIG
- P = Full port angle dual check valve (ASSE 1024)
- Q = Angle lockwing ball valve with plain meter nut (no lip)
- N = Flanged tubing with plain meter nut (no lip)



**Inlet/Outlet Options:**

All tandem setters are available with the same bottom bar inlet/outlet options as our standard horizontal copper meter setter. See Table I.

		TABLE I	
		Page	Page
Series 750	See Series 720.....	324-325	Series 759 See Series 729..... 344-345
Series 751	See Series 721.....	328-329	Series 750R See Series 730..... 346-347
Series 752	See Series 722.....	330-331	Series 751R See Series 731..... 348-349
Series 753	See Series 723.....	332-333	Series 752R See Series 732..... 350-351
Series 754	See Series 724.....	334-335	Series 759R See Series 737..... 352-353
Series 755	See Series 725.....	336-337	Series 758R See Series 738..... 354-355
Series 756	See Series 726.....	338-339	Series 759 See Series 739 ..... 356-357
Series 757	See Series 727.....	340-341	Series 760 See Series 760-763 .... 358-359
Series 758	See Series 728.....	342-343	

See the Meter Setters section for pages.

TABLE II		
Meter Size	Device Length (FNPT x FNPT)	Minimum Recommended Inside Pit Diameter
5/8"	4" to 5"	18"
5/8" x 3/4"	4" to 5"	18"
3/4"	4" to 5"	20"
1"	5" to 6"	21"

**To order** a 5/8" x 3/4" tandem meter setter having 3/4" double purpose ends, inlet valve only and a 7" height with 4" to 5" device length, you would order as follows:

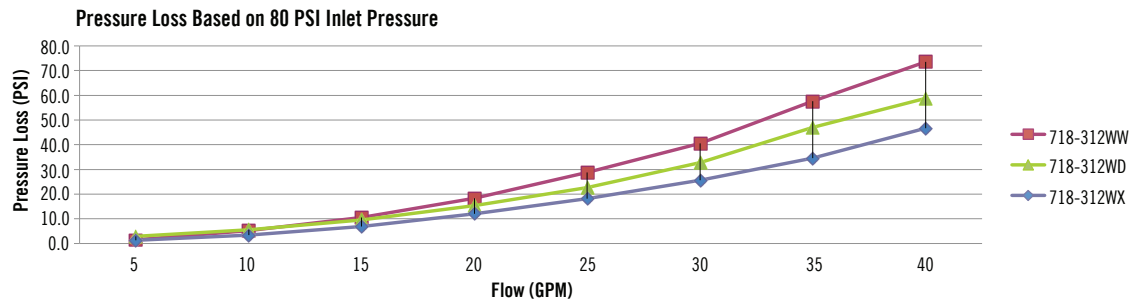
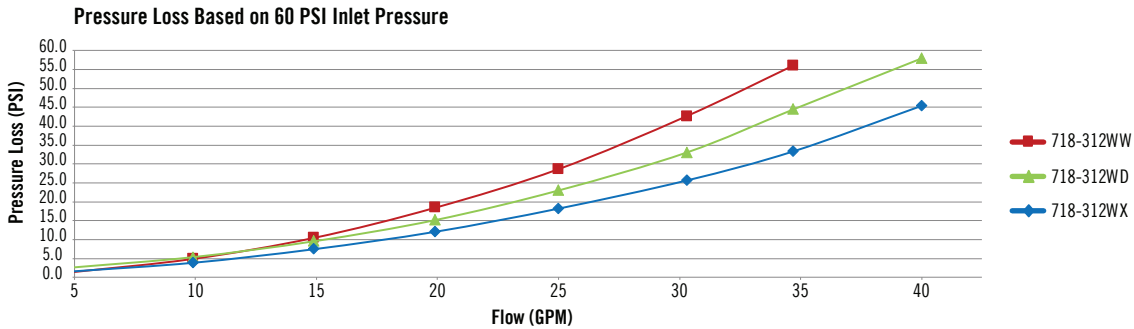
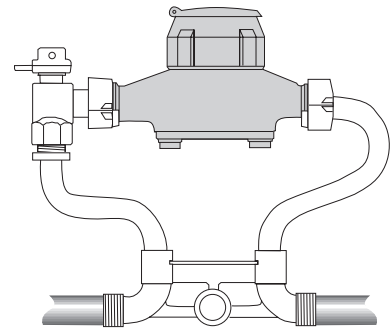
**750 -207 QN DD 33**



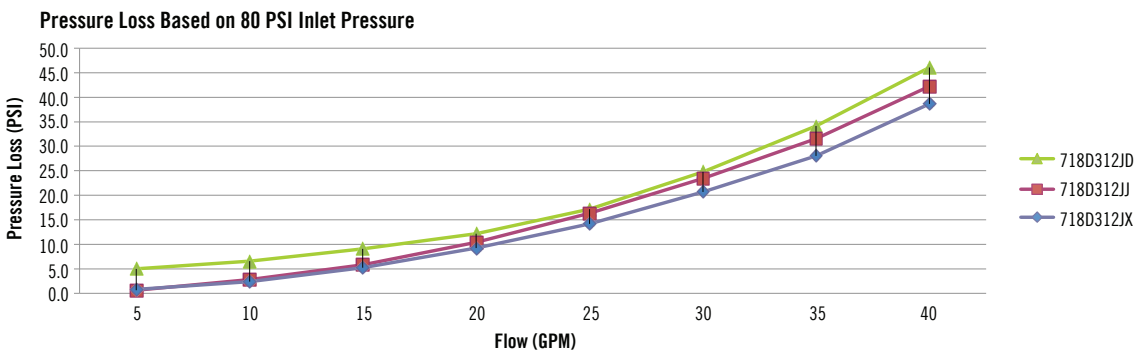
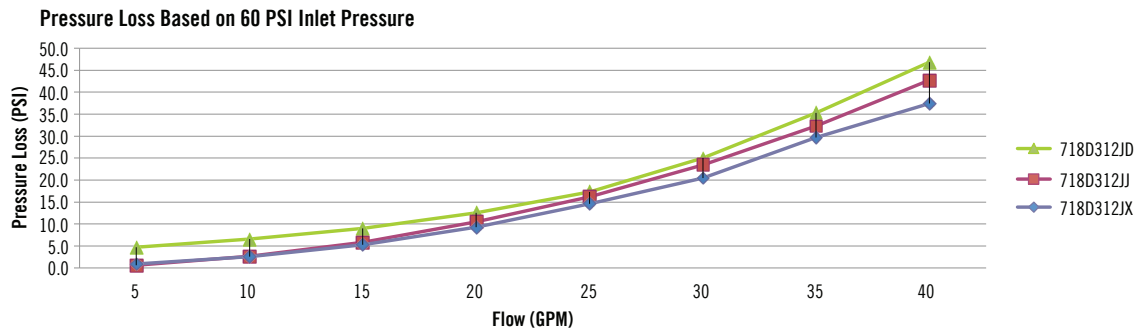
# Pressure Loss through a Meter Setter

Information contained in tables below is based upon generally accepted formulas, computations, and trade practices. A.Y. McDonald and its subsidiaries and affiliates, shall not be responsible or liable therefore if any problems, difficulties, or injuries should arise from or in connection with the use or application of this information, or if there is any error herein, typographical or otherwise.

3/4" Meter Resetters with standard tube - WX = Standard Port Ball Valve x Meter Nut -  
 WW = Standard Port Ball Valve x Standard Port Ball Valve - WD = Standard Ball Valve x 3/4" Dual Check



3/4" Meter Resetters with 7/8" OD tube - JX = 3/4" Port Ball Valve x Meter Nut - JJ = 3/4" Port Ball Valve x 3/4" Port Ball Valve - JD = 3/4" Port Ball Valve x 3/4" Dual Check



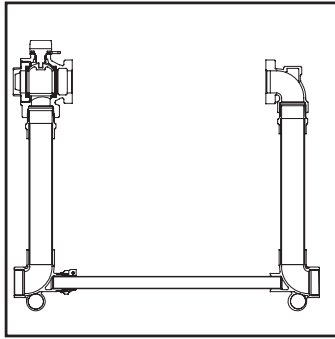
Information contained in tables below is based upon generally accepted formulas, computations, and trade practices. A.Y. McDonald and its subsidiaries and affiliates, shall not be responsible or liable therefore if any problems, difficulties, or injuries should arise from or in connection with the use or application of this information, or if there is any error herein, typographical or otherwise.

Engineering

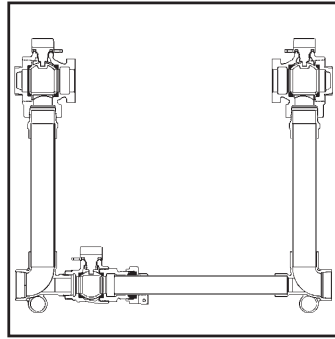


# 1 1/2" & 2" Meters

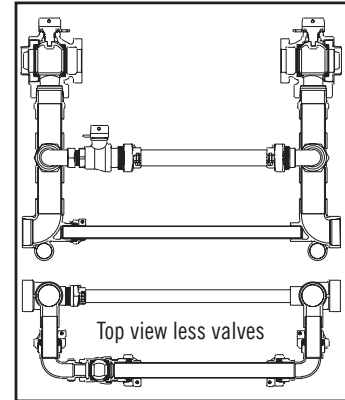
Other meter lay lengths must be specified. An additional 3/8" is added to top spacing to allow for gaskets through 1" setters: Standard 2" top spacing = 17 1/4". Contact factory for: 360° turn valve, handle for ball valve, dielectric connections, check valve in bypass test valve solder to tube.



No Bypass (-)



Low Bypass (B)



Offset High Bypass (R)

Meter Size	1 1/2"	2"
Standard Lay Length	13"	17"

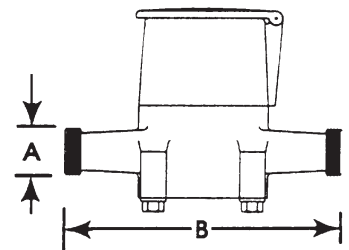
## Features

- All ball valves have lockwings.
- 1" copper cross tube is standard for no by-pass setters.
- 1" brace eyes are standard.
- 1 1/2" bypass available on FNPT meter setters, contact factory.
- 2" Meter flanges have slotted bolt holes to fit 1 1/2" or 2" meters.
- Two drop in flange gaskets furnished.
- Two meter support brackets furnished.
- Other vertical heights available, contact factory.
- 1 1/4" bypass has 1" x 1" x 1 1/4" ball valve.
- Flanged elbow can be supplied with 1" top tap for test valve. Contact factory.
- All copper tubing is "K" weight.
- For special setting or resetting requirements, contact factory.

## OPTIONS

- Insert stiffeners are required on all flexible plastic connections
- Not all combinations available, contact factory.

## Meter Dimensions



Meter Size	5/8"	3/4" Short Meter, 5/8" x 3/4"	3/4"	3/4" x 1"	1"	1 1/2"	2"
A-Meter Threads	3/4"	1"	1"	1 1/4"	1 1/4"	Oval Flange	Oval Flange
B-Lay Length	7 1/2"	7 1/2"	9"	9"	10 3/4"	13"	17"
A.Y. McDonald Spacing*	7 13/16"	7 13/16"	9 5/16"	9 5/16"	11 3/32"	13 1/4"	17 1/4"

\*Allows for meter and two gaskets.





**5/8", 5/8" x 3/4", 3/4", & 1" | Series 740, 741, 742, 743, 744, 745, 746, 747, 748, 749**

A.Y. McDonald Mfg. Co. is pleased to present its extensive line of copper meter insetters. These fine, high quality products offer the end user greater versatility due to the wide variety of end connections, heights, valve options, sizes, and special configurations.

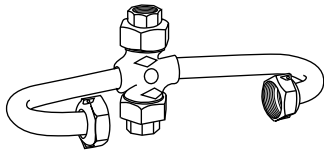
**Versatility.** That's the theme of our complete and flexible line of copper meter insetters. It also describes our system of model numbers. If you have requirements that are not contained in this catalog, please contact our customer service department at 1-800-292-2737. Our professional staff will be happy to work with you to select the product that will fit your needs.



- All cast brass parts conform to latest revision of AWWA C800.
- Copper tubing has a 13/16" O.D. for 5/8", 5/8" x 3/4" or 3/4" meter setters and 1 1/8" O.D. for 1" meter setters.
- Solder is no-lead.
- NSF rubber gaskets are furnished as standard. Contact factory for fiber or leather gaskets.
- All meter setters tested air under water at 85 PSIG.
- All meter swivel nuts have wire seal hole.
- Lockwing ball style meter valves are standard.
- All copper meter setters can be supplied with a test valve on the outlet tubing.
- For dual check backflow valves, see Single & Dual Check section.
- Unless specified all Components have meter nuts without saddles.



Model number **740 -2 -- -- MF 33** means...



## Series

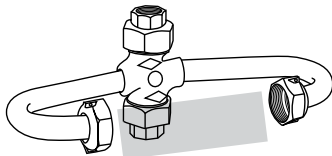
**740-2----**MF 33

**No-Lead Copper Meter Insetter Series**  
740, 741, 742, 743, 744, 745, 746, 747, 748, 749

## Meter Size

**740 -2** ----MF 33

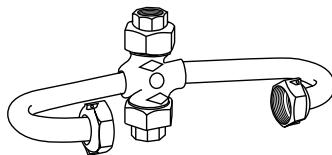
-1 = 5/8" Meter                      -3 = 3/4" Meter  
-2 = 5/8" x 3/4" Meter            -4 = 1" Meter



## Tube Height

**740 -2 -- --**MF 33

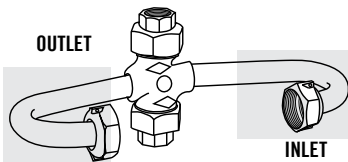
Not Applicable



## Inlet/Outlet Valve Configuration

**740 -2-- --** MF 33

Not Applicable for 740-1, 740-2, 740-3, series only



## Inlet/Outlet End Connections

**740 -2----** **MF 33**

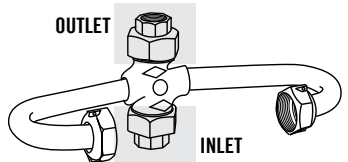
- |   |                              |
|---|------------------------------|
| <b>C</b> = Copper Flare                   | <b>T</b> = T CTS             |
| <b>D</b> = Double Purpose (Flare or FNPT) | <b>Z</b> = -3Q PEP           |
| <b>F</b> = Female Union                   | <b>2</b> = -22 CTS Mac-Pak   |
| <b>M</b> = Male Union                     | <b>3</b> = -33 PEP-7 Mac-Pak |
| <b>P</b> = MNPT (No Coupling)             | <b>4</b> = -44 PVC Mac-Pak   |
| <b>Q</b> = Q CTS                          | <b>5</b> = -55 IP Mac-Pak    |
| <b>S</b> = Solder Union                   |                              |

•Not all end connections available on all styles of meter setters.

## Inlet/Outlet End Sizes

**740 -2----** **MF 33**

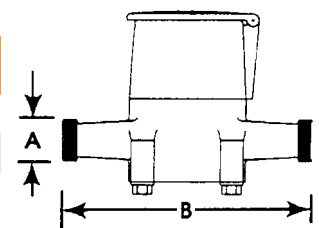
1 = 1/2"                      2 = 5/8"                      3 = 3/4"                      4 = 1"



## Meter Dimensions

Meter Size	5/8"	3/4" Short Meter, 5/8" x 3/4"	3/4"	3/4" x 1"	1"	1 1/2"	2"
<b>A-Meter Threads</b>	3/4"	1"	1"	1 1/4"	1 1/4"	Oval Flange	Oval Flange
<b>B-Lay Length</b>	7 1/2"	7 1/2"	9"	9"	10 3/4"	13"	17"
<b>A.Y. McDonald Spacing*</b>	7 13/16"	7 13/16"	9 5/16"	9 5/16"	11 3/32"	13 1/4"	17 1/4"

\*Allows for meter and two gaskets.



# 715 & 716 Series - Single, Dual & Tandem

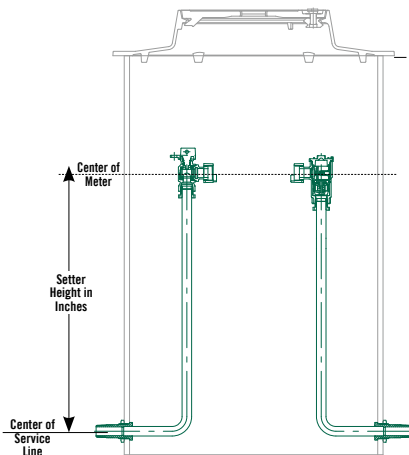
Series 715, 716, 780, 783, 7180, & 790 | Pit Assembly - Yoke, Flat Lid, & Coiled | Single, Dual & Tandem

## Risers Only for 5/8" to 1" Meters

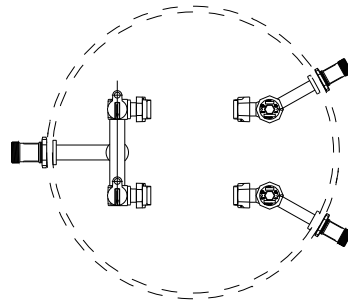
The A.Y. McDonald 715 series meter setter is designed for installation into your pit shell. Using your specific design criteria, the 715 series will provide the internal meter setting with valves, risers, and connections you call for. Pit diameter, wall thickness, and service line bury should be carefully considered when ordering the 715 series meter setter. Typical meter depth from the surface, or grade level, is 14", however you are in control when you apply this setter.

The frame and cover selection for this setting will also affect the overall height of the 715 series. As these castings will alter the distance from grade level to centerline of installed meter, and top of meter pit. For assistance in designing your 715 series meter pit, we recommend you **review the 780 series** complete meter pit assemblies in this brochure or contact our customer service department.

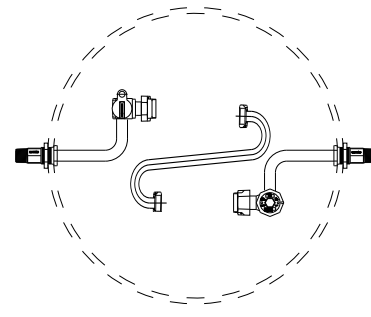
Typical 715 Series Installation



Brass and Copper Parts ONLY - PVC Pit, brace, frame & cover are not included.



715 Series - Dual



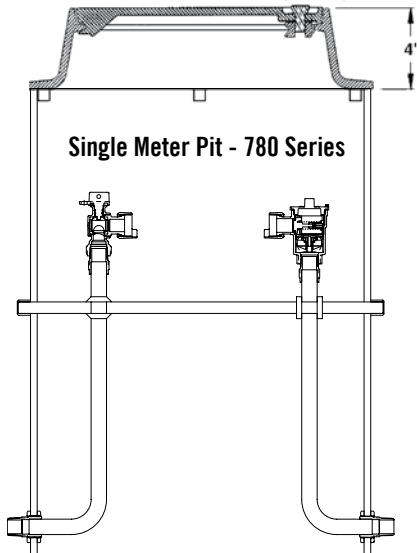
716 Series - Tandem

NOTES - All cast brass meets latest revision of AWWA C800.

# 780 Series - Pit Assembly

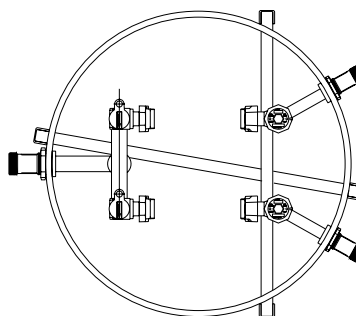
For 5/8" to 1" Meters

See Frame & Cover Section for optional frames and covers sold separately.

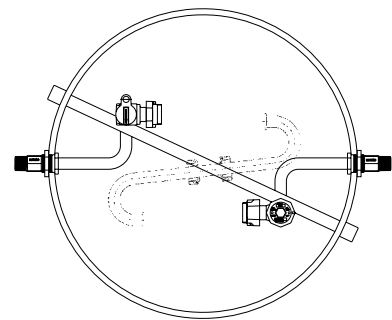


A.Y. McDonald Mfg. Co. offers a quick and easy way to install your water meter. The series 780 for threaded meters is delivered completely assembled, is fully tested prior to leaving the factory, built to your specifications, and is set into service as a unit. This unit can be installed in minutes.

The 780 series assembly includes a smooth wall PVC shell, risers, and meter valves. Various service line connection styles are available or sold separately. Also taken into consideration when sizing the series 780 pit assembly is the service line depth and the wide range of covers available and sold separately.



Dual Meter Pit 781 Series



Tandem Meter Pit 782 Series

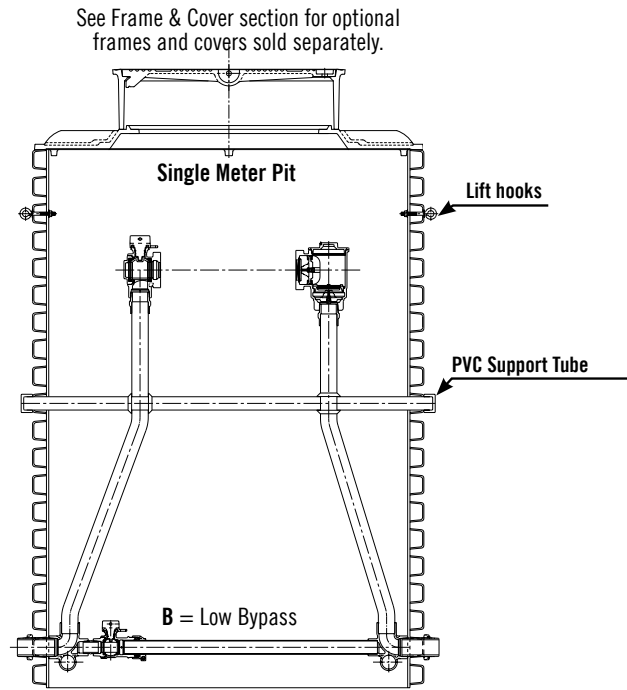
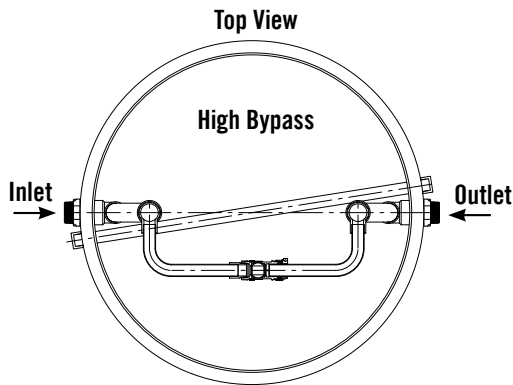


# 780 Series - Pit Assembly

For 1 1/2" and 2" Flanged Meters

A.Y. McDonald Mfg. Co. offers a quick and easy way to install your water meter. The series 780 for flanged meters is delivered completely assembled, is fully tested prior to leaving the factory, built to your specifications, and is set into service as a unit. This unit can be lifted into place with pre-installed lift hooks, and installed in minutes.

The 780 series assembly includes a corrugated PVC shell, risers, and flanged valves. Standard MNPT connections can be adapted to nearly any service line. Adapter ring and cover are sold separately.



- High bypass option is offset to right side of meter
- Includes shut-off
- Dual check option available in bypass

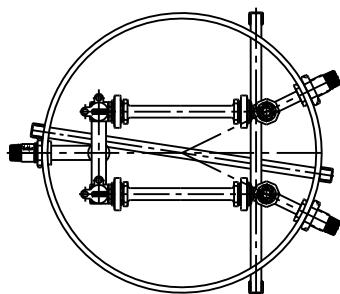
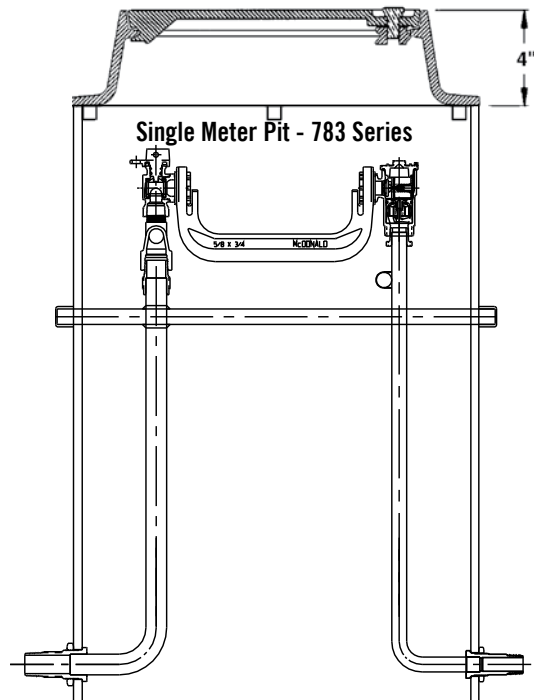
# 783 Series - Yoke Pit Assembly

For 5/8" to 1" Meters

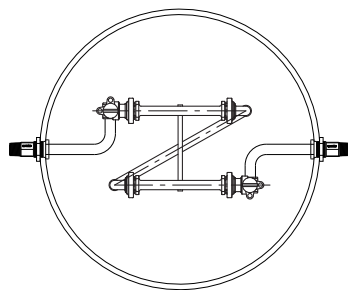
A.Y. McDonald Mfg. Co. offers a quick and easy way to install your water meter. The series 783 yoke style pit assembly is designed for 5/8" to 1" threaded meters. The 783 series is delivered completely assembled, is fully tested prior to leaving the factory, built to your specifications, and is set into service as a unit. This unit can be installed in minutes.

Comes complete with service line connections, risers, valves, and iron yoke meter cradle. May be ordered with or without meter expansion connection. Also taken into consideration when sizing the 783 series pit assembly is the service line depth, and optional frame and cover sold separately.

See Frame & Cover section for optional frames and covers sold separately.



Dual Meter Pit 784 Series



Tandem Meter Pit 785 Series



# 7180 Series - Flat Lid Pit Assembly

## For 5/8" to 1" Meters

A.Y. McDonald Mfg. Co. offers a quick and easy way to install your water meter in a shallow setting. The series 7180 inline meter setting is delivered completely assembled and is fully tested prior to leaving the factory.

Each meter box assembly comes standard with a rigid PVC shell, AWWA compliant water service brass fittings, and valves, and NSF meter gaskets. Options include aluminum bottom closure, insulating pads, and several lid styles. Various service line connection styles are also available upon request. This versatile meter box can be sized to fit any standard size water meter and is easily adapted to remote read options.

Available for single, dual, and tandem meter installations.

See Frame & Cover Brochure for optional frames and covers sold separately.

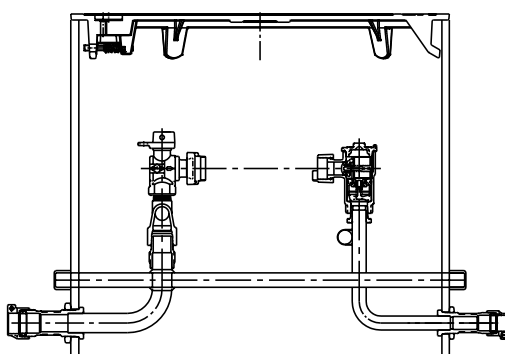
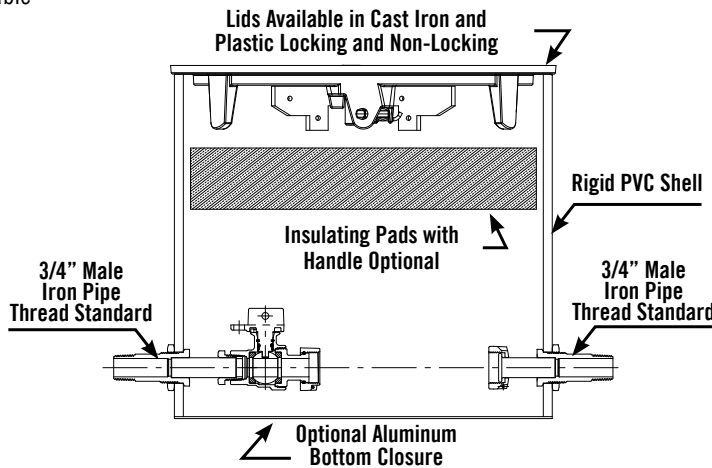


Top View - With Meter & Shut-Off Valve

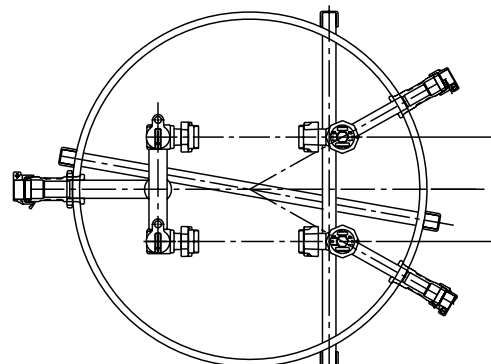
Not all combinations are available - Contact Factory.

### FEATURES

- Rigid PVC Shell
- Fully assembled
- White interior
- Factory tested
- All cast brass meets latest revision of AWWA C800
- Sized to fit your meter
- Compression connection available
- Adaptable to meet your needs



Single 7180 Series



Dual 7180 Series





# 790 Series - Coil Pit Assembly

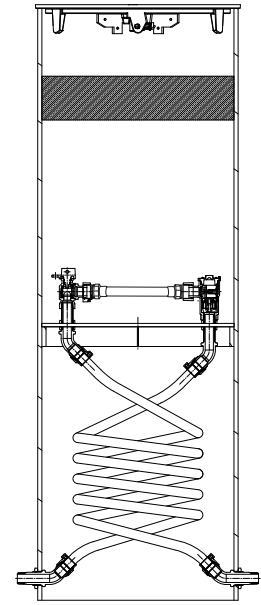
FOR 5/8" TO 1" METERS

The A.Y. McDonald Coil Pit Setter provides a means to allow a meter to be read and maintained even though it is set deep in the ground to resist freezing. The Coil Pit Setter is designed with the meter installed on a platform that normally sets near the bottom of the box where the ground temperatures are warmer. The meter and platform are connected to the service line by coils of tubing which allows the meter and platform to be raised to the surface for service or replacement.

The body of the meter box is rigid PVC of various diameters. For extremely cold climates, an optional insulating pad is available which traps the relatively warm air rising from the earth, inside the meter box.

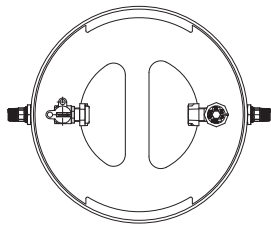
A.Y. McDonald Coil Pit Setters are shipped fully assembled, ready for meter and service line installation. Their light weight saves shipping costs and makes installation a one man job in most cases. Every box is factory tested and has a 150 psig maximum working pressure rating.

A.Y. McDonald Coil Pit Setters are available in single, dual, and tandem settings for 5/8" to 1" meters. A wide variety of end connections, control valves, box depths, lids and other options are available. Due to the almost endless combination of features offered, each meter box is custom built to your specifications.

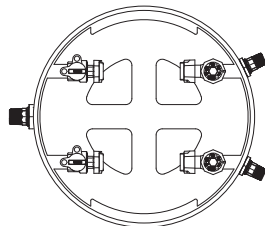


See Frame & Cover section for optional frames and covers sold separately. 790 series flat cover sold separately

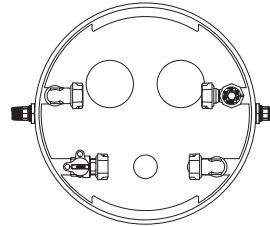
Engineering



790 Series - Single

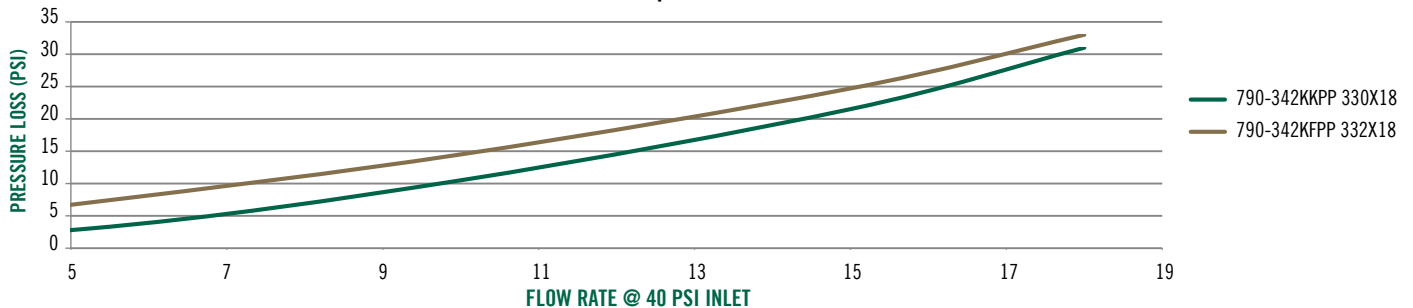


791 Series - Dual



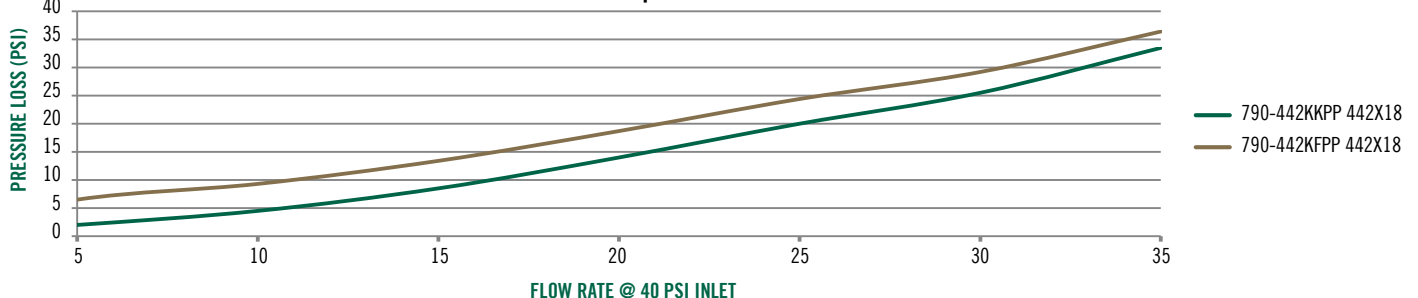
792 Series - Tandem

### Pressure Loss Based on Inlet Pressure - 3/4" Coiled Pit Comparison



Disclaimer: Pressure drop based on lab testing results. Variations in installation may lead to different results. COILED PIT SETTER TESTED WITH A METER IDLER. FLOW LOSS OF METER WILL NEED TO BE ADDED. ADJUST THE PRESSURE LOSS BY 0.6 PSI PER FOOT OF BURY DEPTH AWAY FROM THE LISTED MODELS.

### Pressure Loss Based on Inlet Pressure - 1" Coiled Pit Comparison



Disclaimer: Pressure drop based on lab testing results. Variations in installation may lead to different results. COILED PIT SETTER TESTED WITH A METER IDLER. FLOW LOSS OF METER WILL NEED TO BE ADDED. ADJUST THE PRESSURE LOSS BY 0.5 PSI PER FOOT OF BURY DEPTH AWAY FROM THE LISTED MODELS.



# Meter Box Frames & Covers

Series 774M, 74MA, 74MC, 74MPR, 74MW, 74MX, 74R, 90L | Recessed & Non-Recessed | Rotational

A.Y. McDonald Mfg. Co. is pleased to offer a competitively priced line of superior quality cast iron meter box frames and covers made in North America. This line of products is designed for lawn and sidewalk installations. Contact factory for interchangeability options with other manufacturer products.

## Features

- Extra heavy covers available on certain models. Contact factory for further information.
- Both flush mount and recessed covers available.
- Frames have cast centering lugs to center tile.
- Covers can be supplied for use with remote read meters.
- Covers can be private labeled (minimum order quantity is required). Contact factory for further information.
- Cast iron riser rings available with inner lid for use in colder climates.
- Locking worm gear swedged onto bronze pentagon bolt.
- Pentagon bolt available in two sizes.
- Extension rings available for 18" and 20" frames.

## Materials

- Gray cast iron.
- Black paint coating.
- Bronze pentagon bolt/lifter style.
- Cast iron worm gear lock swedged to bronze pentagon bolt.
- Washers: (1) copper (1) plastic.



"M" Style



"A" Style



"C" Style



"W" Style

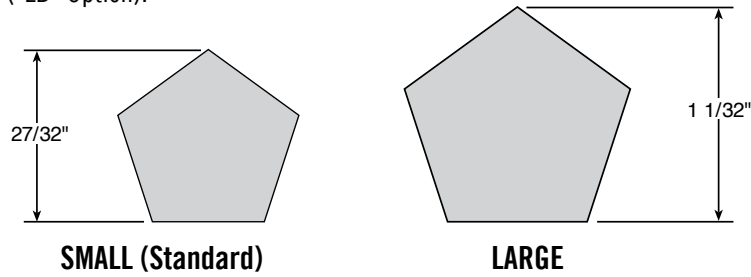


"R" Style

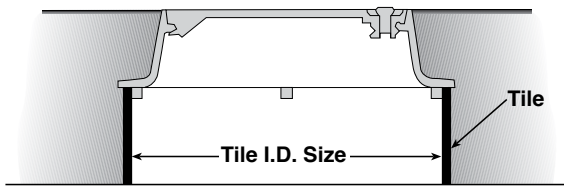


## Pentagon Bolts

- Small water works pentagon bolt furnished as standard.
- Large pentagon bolt available ("LB" Option).



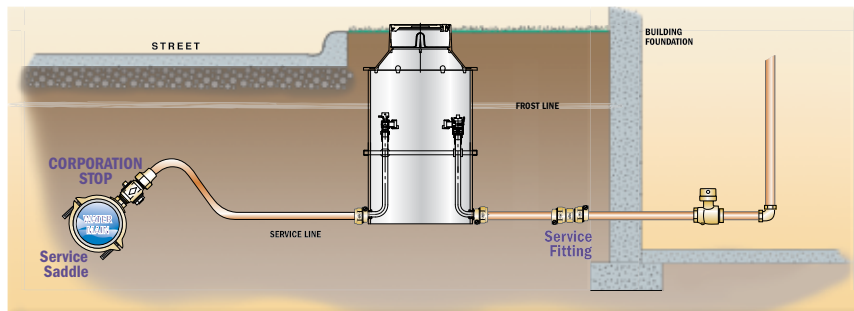
## Easy Selection Guide for Tile Sizes



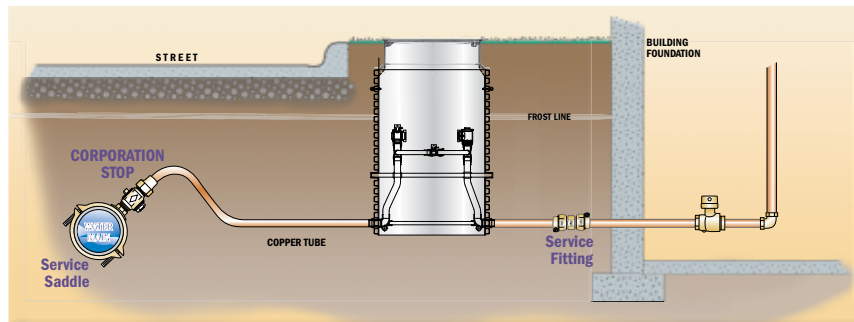
**METER  
FRAME  
& COVER  
OPTIONS**

Models	Tile Sizes						
	15	18	20	21	24	30	36
74M					•	•	•
74MA	•	•	•	•			
74MC	•	•	•	•			
74MPR				•			
74MW	•	•	•	•			
74MX		•	•		•	•	•
74R		•	•				

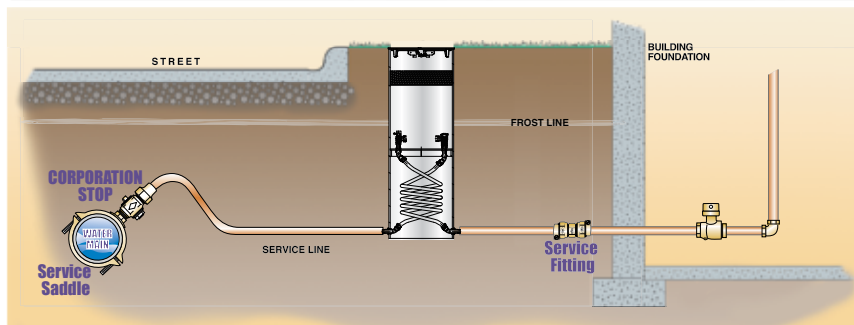
## Typical Installation with Pit



**5/8", 5/8" x 3/4", 3/4" & 1" Meter Installations**



**1 1/2" & 2" Meter Installations**

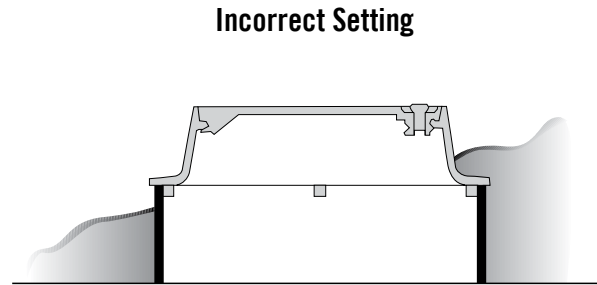
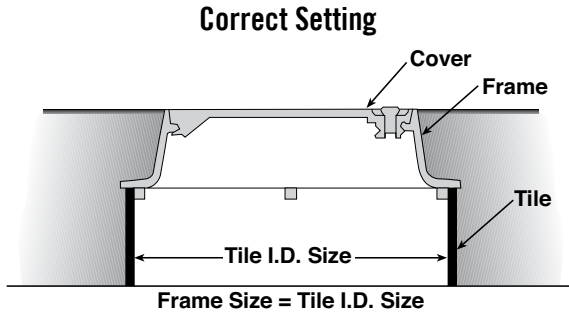


**Coiled Pit Installations**

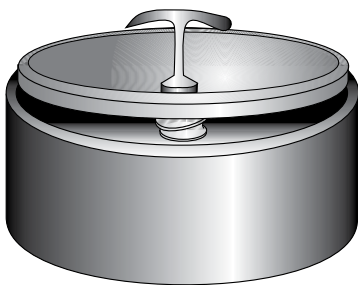


Meter Box Frames & Covers Installation

Engineering



1. Make sure the frame and cover fits securely onto the meter pit. A.Y. McDonald Mfg. Co. frames have positioning lugs that extend from bottom of frame to prevent the frame from sliding off of the meter pit.
2. Backfill around the frame and make certain the grade is level with the top of the cover. This will help avoid a tripping hazard.
3. Install cover onto frame and lock securely into place. Standard locking style covers are preferred in order to prevent unauthorized removal which could cause a safety hazard. If a lockless style cover is specified, make certain it fits properly into the frame and is not subject to sliding or tipping out of position. Lockless lids have extra long alignment lugs to help keep the lid in place.
4. Frames and covers are designed as a unit and it is not a good practice to intermingle frames and covers from various manufacturers. User assumes all risk of mixing A.Y. McDonald frame and cover with another manufacturer's frame and cover.
5. Check on a regular basis to ensure proper operation of locking devices and to make certain the meter box cover remains at ground level.



All locking covers feature a unique "worm" type gear. Two things happen as the key is turned and the cover is opened:

1. The cast iron worm gear rotates, applying a powerful screwjack action between the cover and frame to break any seal of ice or dirt.
2. The key attaches itself to the bronze pentagon bolt, forming a lifter handle for the cover, then automatically disengages from the bolt as the cover is locked.



Frame



Cover



## Electronic Meter Reading Covers

A.Y. McDonald Mfg. Co. covers are available with 2" holes for a remote electronic meter reading module. These covers are especially configured for this purpose and are manufactured so that the electronic meter reading module will seat against a flat surface.

**To Order:** For single hole electronic meter reading covers, add one catalog number suffix letter to the model number (Example "T").

**Example:** When adding a single hole to a 74M32W frame and cover (for the installation of a single TouchRead™ module) the model number would be **74M32WT**. Add two T's for a Double Hole Electronic Meter Reading Cover. For example, **74M32WTT**.

## Electronic Meter Reading Covers with Removable Plug

An optional cast iron plug (removable for future electronic meter reading module installations) is available for all electronic meter reading covers. This option is designated with a "TP" for a single hole with plug cover, or a "TTP" for a double hole with double plug cover. **Example: 74M32WTP.**



**NOTE:** Not all holes available on all covers.





**A.Y. McDonald Frame and Cover Load Ratings:**

A.Y. McDonald meter pit frame and covers come in a variety of sizes and styles. A typical application for these covers will be in a location that provides easy access to the water meter for reading or service. Even though they may be placed in a number of different locations around yards or walkways, the covers are not designed to be located in roadways. This is not a road rated line of products. The load rating chart below is provided as a guideline only for the placement of frames and covers. It should be noted that none are H-20 rated nor should they be used in heavy traffic or street applications.

Engineering

TRAFFIC	A.Y. McDonald Series	Load Limit - lbs
Pedestrian Lawn	72, 75, & 76 SERIES WITH X800	300
	90L SERIES WITH X800	
	74M SERIES WITH X800	
Pedestrian Lawn Small Service Vehicles	74MA SERIES	3,000
	74MC SERIES	
	74MW SERIES	
	74MX SERIES	
	MONITOR STYLE	
	74MPR SERIES	
	74R SERIES	
	90L SERIES	
	72L SERIES	
	75L SERIES	
	76L SERIES	
77L SERIES		
Pedestrian Lawn Small Service Vehicles Car Light Truck	MONITOR STYLE WITH "H" LID	5,000
	MONITOR STYLE WITH "H H" LID	
Pedestrian Lawn Small Service Vehicles Car Light Truck Heavy Truck	74H32A	25,000

**Disclaimers:**

- No frame, cover or assemblies are H20 certified traffic rated for street applications
- DO NOT INSTALL PVC PIT SETTER WHERE TRAFFIC IS PRESENT.
- "Load Limit" is the load across the lid, not point load or impact load.
- Load ratings are based on a stable and solid foundation under lids and frames.

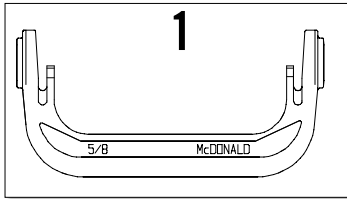


# Iron Yokes

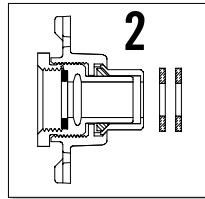
Yoke Bars | Angle & Straight Valves | Yoke Couplings | Angle Single Check Valves | Inline & Angle Dual Check Valves | U-Branch & Yoke

## How to Order

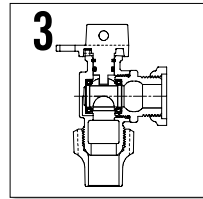
Be sure to order one of each to make up a complete assembly.



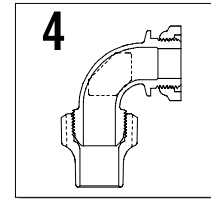
Cast Iron Yoke



Expansion Connection



Inlet Valve or Coupling



Outlet Valve, Coupling, or Dual Check Valve

### Ball Valve Size Description

SIZE means:  $\frac{3}{4}$  x  $\frac{5}{8}$  x 01

End Connection      Ball Opening Size

Meter Size  
01 = 5/8"  
02 = 5/8" x 3/4" or 3/4"  
04 = 1"

### Coupling Size Description

SIZE means:  $\frac{3}{4}$  x 01

End Connection      Meter Size  
01 = 5/8"  
02 = 5/8" x 3/4" or 3/4"  
04 = 1"

## Yokes Assemblies

Single Settings  
714G425LEFF66



Dual Yoke Settings  
714H425LEFF44



Tandem Yoke Settings  
714-2--WY22 332



Yoke Bar Assembly Only  
with Tie Bar

14-2-1TB,  
14-2-2TB,  
14-2-3TB,  
14-4-4TB

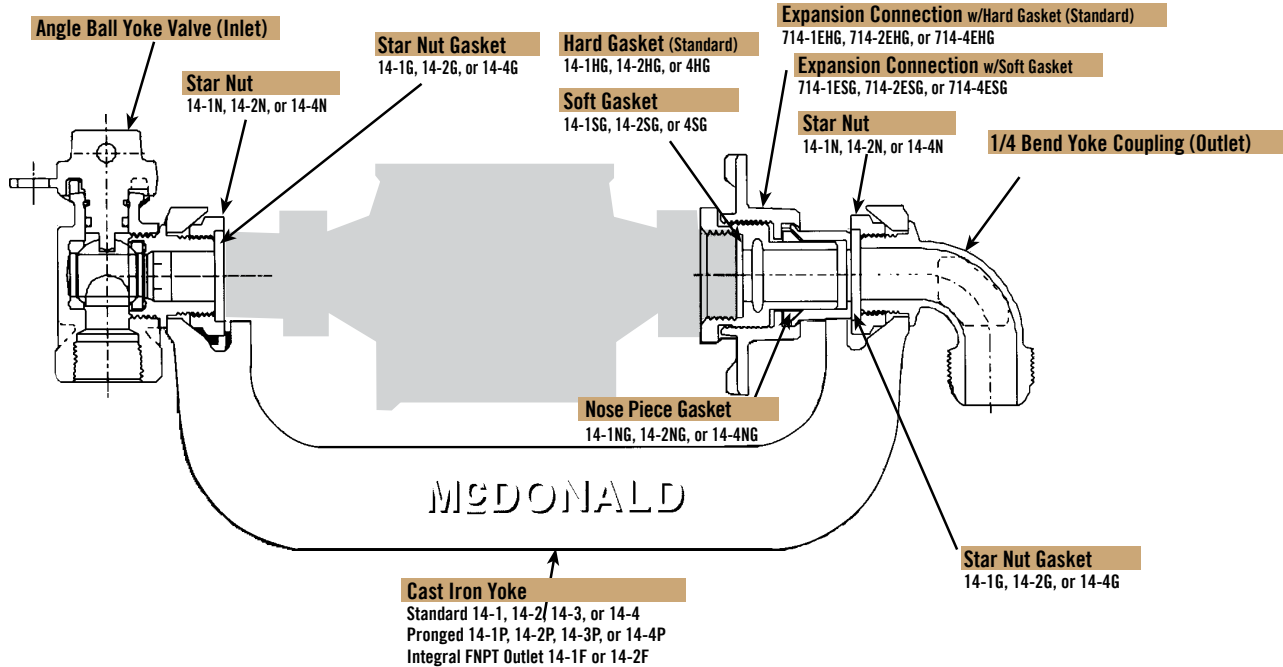


**THERMAL EXPANSION WARNING** - Creating a "closed" condition in a hot water system with the installation of a non-return barrier (such as a Check Valve or Backflow Preventer between the system piping and the public supply) can result in extreme pressure rises caused by thermal expansion and/or water hammer. This thermal expansion can damage piping, valves, and other Components in the system. The installation of a pressure relief device or thermal expansion tank can avoid possible damages.



# General Information

A.Y. McDonald offers a complete line of yoke assemblies and packages. Contact factory for assistance.



**NOTES**

- All cast brass parts comply with latest revision of AWWA C800.
- Yoke bar material is ASTM A126 Class B cast iron.
- All rubber gaskets are EPDM.
- Ball valves are rated at 300 PSIG water pressure - (See Meter Valve section).
- Plug valves are rated at 100 PSIG water pressure - (See Meter Valve section).
- Optional is powder coated.
- Cast iron yoke has support lip to hold meter and expander during installation.
- Three piece brass expander has large tightening spokes and includes two star nut gaskets.

Engineering

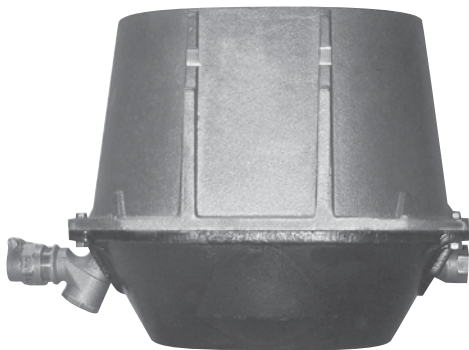


# Meter Boxes - Yokebox & Longbox

Series 775 Yokebox | Series 776 Longbox | Series 777 "CR" Box

**A.Y. McDonald Mfg. Co. Meter Boxes** are complete, compact meter-setting packages, which are installed as a unit. They are the ideal water meter housing for moderate and warm climates. Meter Boxes provide automatic alignment for the water meter, which can be inserted any time during or after installation.

The body and lid are made of durable cast iron (ASTM A-48, Class 25 minimum) to provide many years of trouble-free service. The inlet, outlet, and expansion connection are manufactured of brass and meet or exceed the current AWWA Standard C800. All dual check valves are ASSE 1024 approved.



### 775 SERIES YOKEBOX

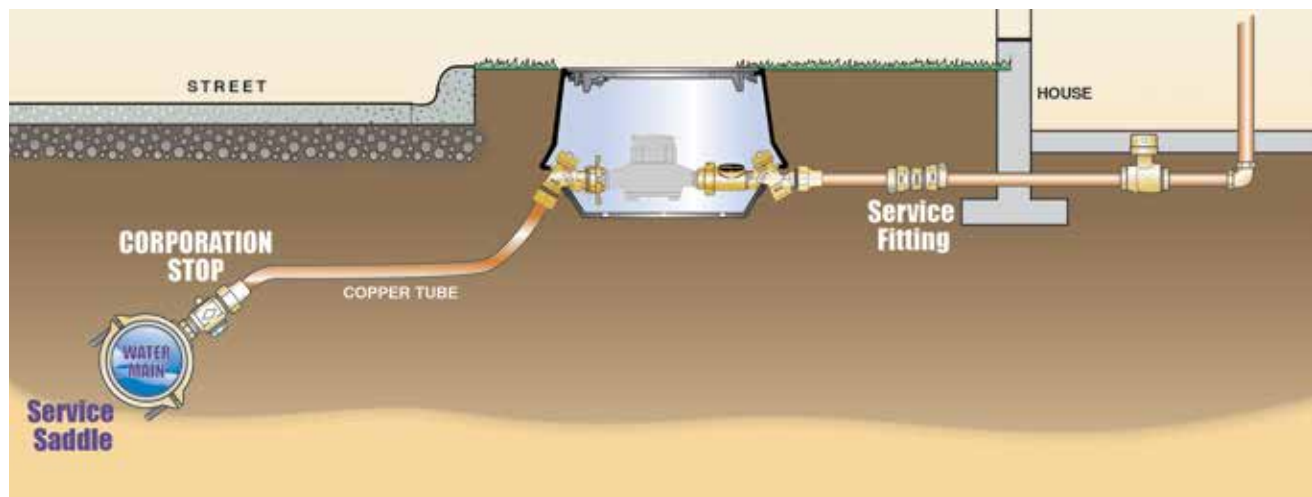
Yokeboxes are more compact. An inline dual check valve may be integral to the yokebox or installed outside the yokebox.



### 776 SERIES LONGBOX

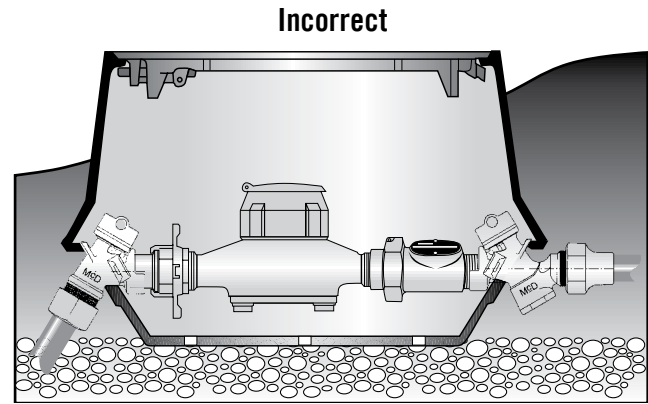
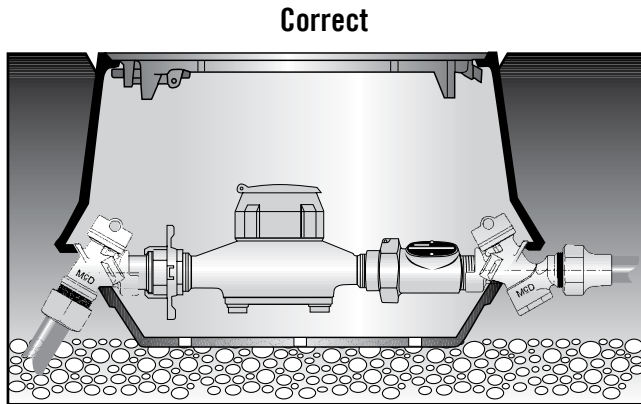
Longboxes include an inline dual check valve inside the box.

## Common Meter Box Installation



Installation

Engineering



1. Backfill to make certain the grade is level with the top of the box. This will help avoid a tripping hazard.
2. Lock lid securely into place. Locking style lids are preferred to prevent unauthorized removal which could create a safety hazard. If a lockless style lid is used, make certain it fits properly into the frame and is not subject to sliding or tipping out of position. A.Y. McDonald lockless lids have extra long alignment lugs to deter improper lid placement.
3. Lids and boxes are designed as a unit. Components are not interchangeable with other manufacturer's products. A.Y. McDonald is not responsible for users replacing or interchanging meter box lids with other manufacturers products.
4. Check periodically to ensure correct operation of locking devices and to make sure the lid remains at ground level.

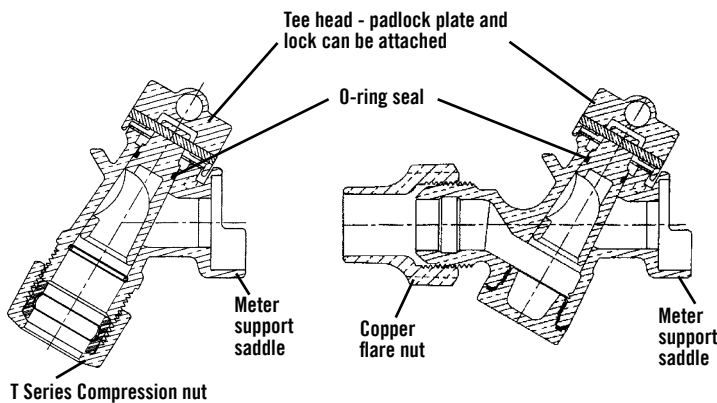
Expansion Connection

Longboxes and yokeboxes include a handwheel style expansion connection, eliminating the need for a wrench during meter changeouts.



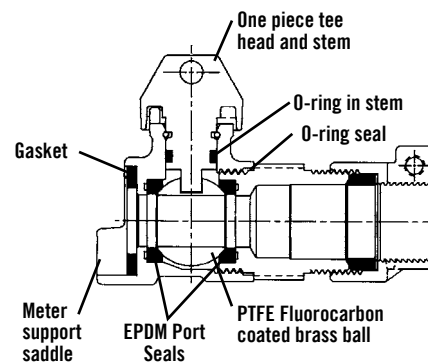
Plug Valve Features

The plug valve holds the plug in place using a drive pin and a spring washer. An o-ring provides additional leakage protection. Angle valves are 60° from horizontal. A variety of inlet and outlet couplings are available for copper or plastic tubing, PVC, PE, or iron pipe. Plug valves are rated to 100 PSI.



Ball Valve Features

The ball valve features a solid one piece tee-head and stem. An o-ring in the stem assures a watertight seal at the top. Molded rubber seats support the ball. The PTFE fluoro-carbon coated brass ball will provide years of maintenance free service. A variety of inlet and outlet couplings are available for copper or plastic tubing, PVC, PE, or iron pipe. Ball valves are rated 300 PSI.



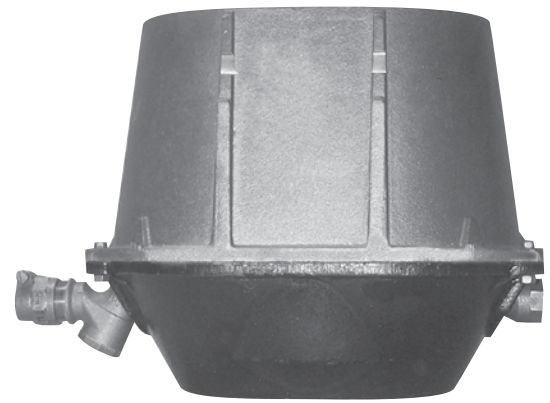


# Series 775

## 5/8" or 5/8" x 3/4" Meters

Straight and angle valves are available for the yokebox inlet and outlet, 8" bury is standard. Angle valves are 60° from horizontal. Straight back flow or connection outlets are available. Cast iron base keeps out dirt, mud, and pests, resulting in a cleaner meter. Holes in the base provide drainage.

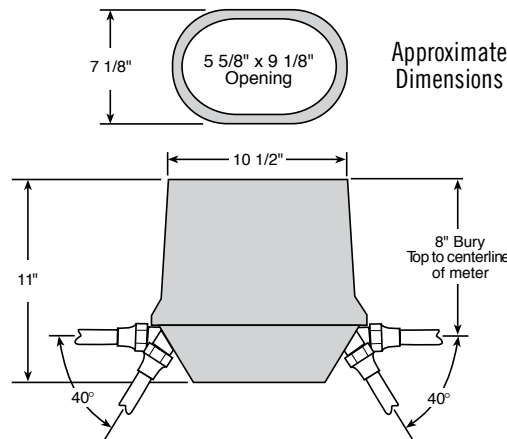
Cast iron base, upper section, and lid are black dip coated to prevent rust. Expansion connection and gaskets are also included with package. Designed for use with above or below ground potable water applications with temperature range of 34° -100°F.



Engineering

### A standard fully assembled yokebox includes:

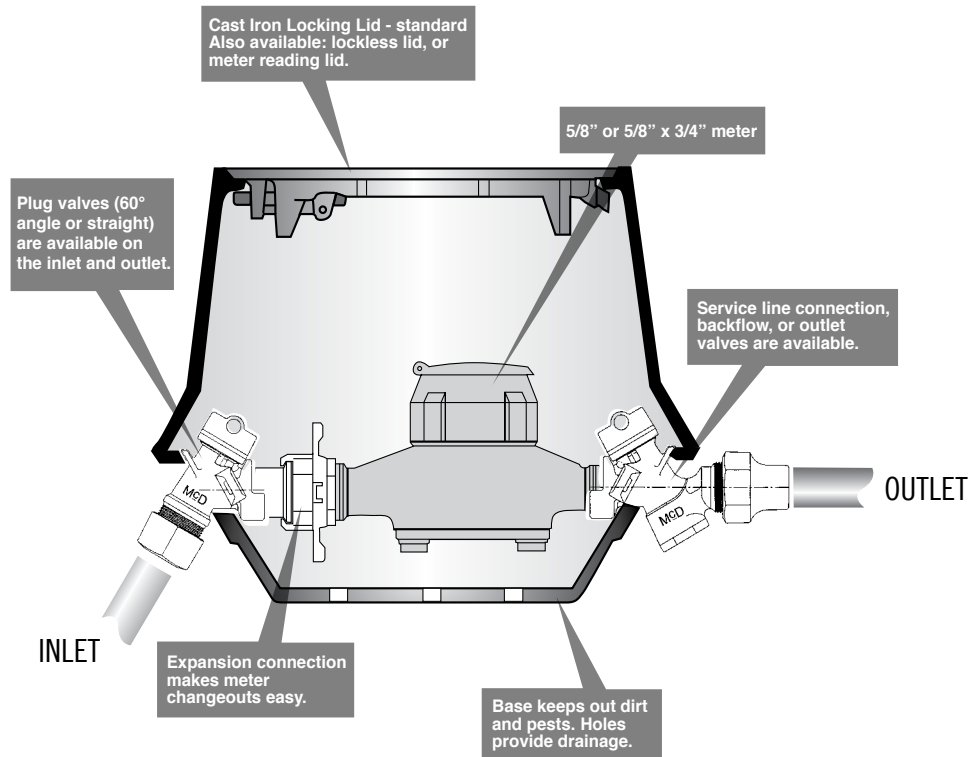
- Cast Iron Base
- 5/8" x 3/4" meter standard
- Upper Section (Cast Iron or Plastic)
- Cast Iron Locking lid standard
- Lockless and Plastic lid available
- Inlet and Outlet Connection
- Shallow center line of meter 8" below grade



**NOTE:** All combinations may not be available with all models. Contact factory for further information.

### LID OPTIONS

For custom logo lids, contact factory.



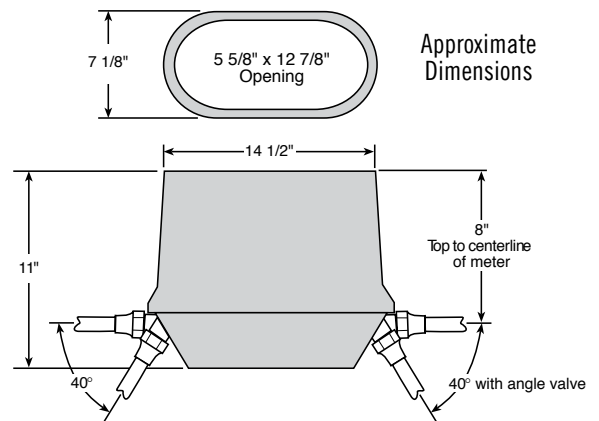
# Series 776

## 5/8" or 5/8" x 3/4" Meters

Straight or angle valves are available for the longbox inlet and outlet, 8" bury is standard. Angle valves are 60° from horizontal. Straight connection outlets are also available.

Cast iron base keeps out dirt, mud, and pests, resulting in a cleaner meter. Holes in the base provide drainage. Cast iron base, upper section, and lid are black dip coated to prevent rust. Expansion connection, gaskets, and ASSE 1024 inline dual check valve are included with package.

Designed for use with above or below ground potable water applications with temperature range of 34° -100°F.



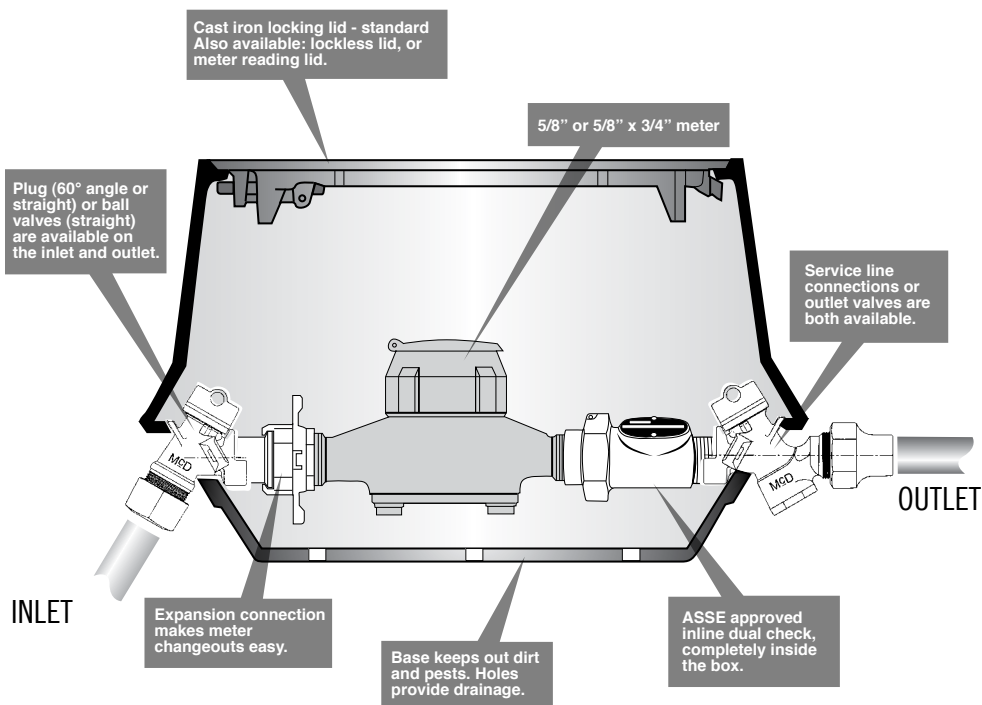
### A standard fully assembled longbox includes:

- Cast Iron Base
- 5/8" x 3/4" meter standard
- Upper Section (Cast Iron or Plastic)
- Cast Iron Locking lid standard
- Lockless and Plastic lid available
- Inlet and Outlet Connection
- Shallow center line of meter 8" below grade

**NOTE:** All combinations may not be available with all models. Contact factory for further information.

### LID OPTIONS

For custom logo lids, contact factory.



# Series 777

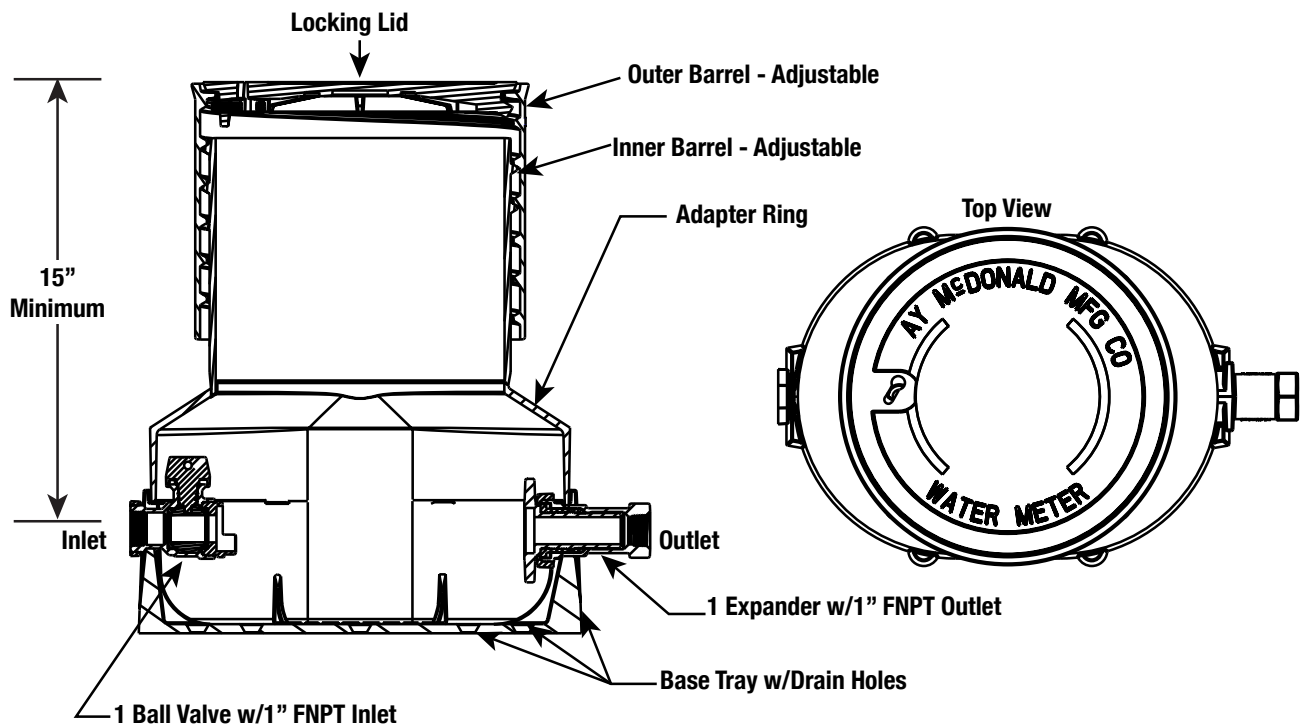
5/8", 5/8" x 3/4", 3/4", or 1" Meters

A.Y. McDonald Mfg. 777-Series meter box offers versatility in design and adaptability in service line connections. Adjustable to unexpected grade changes and service line specifications. The 777 Series provides a protective cast iron housing for water meters to one inch size and service line depths of 11 – 20". Options are available including integral Compression on 5/8" and 5/8" x 3/4" sizes, connection adapters, non-locking lids, lids for radio and touch read technology, and stationary non-adjustable top sections. Designed for use with above or below ground potable water applications with temperature range of 34° - 100°F. Brass conforms to AWWA C800 Latest Revisions.

Drainage Holes in Base Casting. Cast iron base, upper section, and lid are black dip coated to prevent rust.

**A standard fully assembled "CR" Meter Box package includes:**

- Cast Iron Housing Construction
- Adjustable Top Section
- 300 PSI rated Ball Style Inlet Valve
- Female Pipe Thread Connections
- Integral Expansion Connection to the Meter
- Cast Iron Locking or Lockless Lid



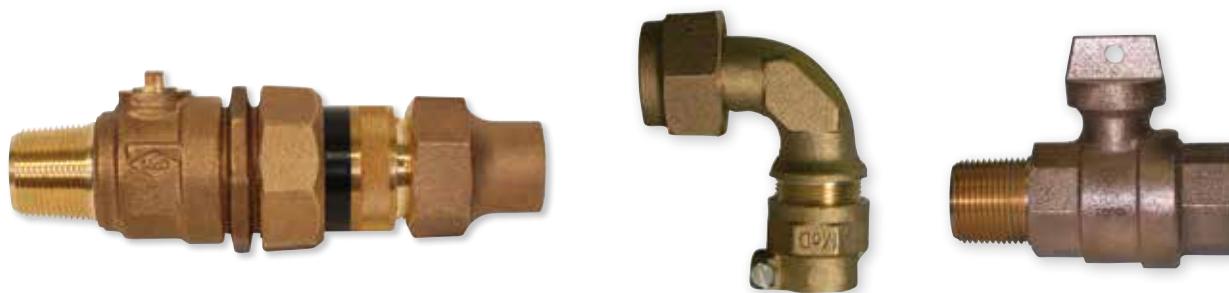
**1" 777 SERIES "CR" BOX SHOWN**







**WITHOUT  
YOU  
THERE IS  
NO US.**



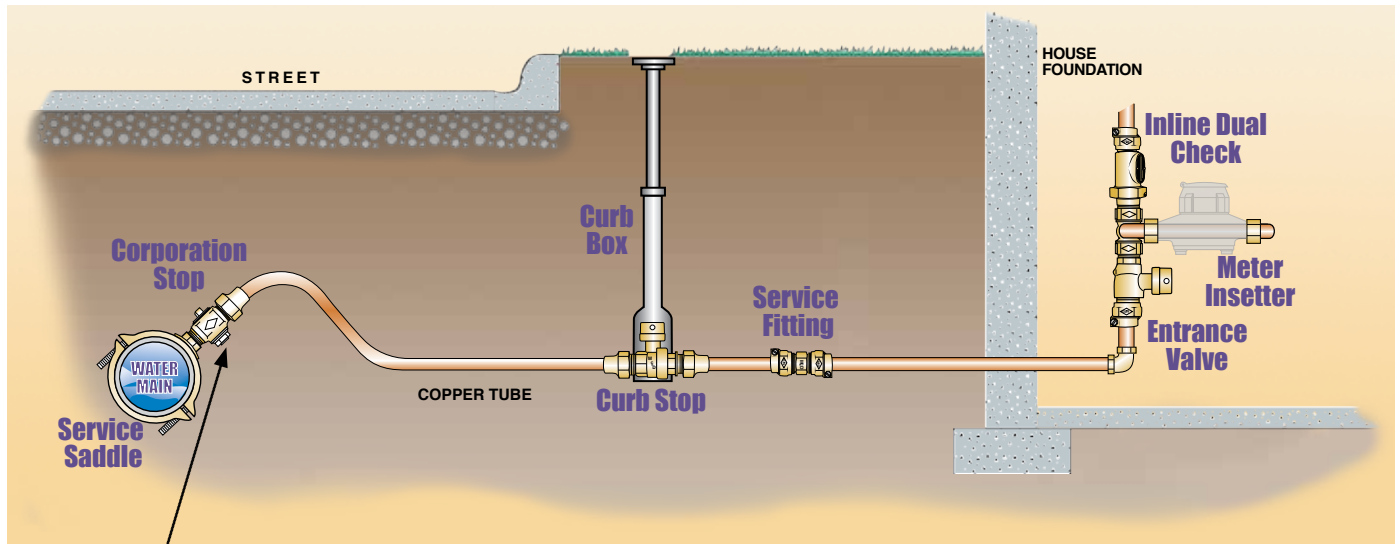
# Corporation Stops

January 11, 2022 - Revised July 2024





## Water Service Lateral



The Corporation Stop is the initial control valve of the service line.

### Notes:

- All A.Y. McDonald Ball & Plug Style Corporation Stops are available with a wide variety of outlet connections and are manufactured to meet or exceed the AWWA C800 (latest revision) standard, except where noted.
- All A.Y. McDonald Ball & Plug Style Corporation Stops are designed to be used with all known tapping and drilling machines. For drilling and tapping machine adapters, except where noted see pages 78-79.
- Each A.Y. McDonald Ball & Plug Style Corporation Stop is pressure tested prior to packaging.
- Assembly is shipped with a color coded inlet thread protector - Green for AWWA/CC threads, Yellow for AWWA MNPT.
- A.Y. McDonald 3/4" and 1" "G", "H", "K", "Q", "T", "-22", and 1 1/4" Q series compression and flare outlets use the same female screw plug. The 1 1/2" and 2" "G", "Q", "T", and "-22" Series use special female screw plugs.
- A.Y. McDonald 3/4" and 1" "-3G", "-3Q", "-33", "-34", "-44", "-55", and 1 1/2" "-33" are one size larger thread. Example: 3/4" "-33" is 1" AWWA flare nut thread. See chart pages 78-79.
- Insert stiffeners are required for use in all PE applications.

### Additional Options:

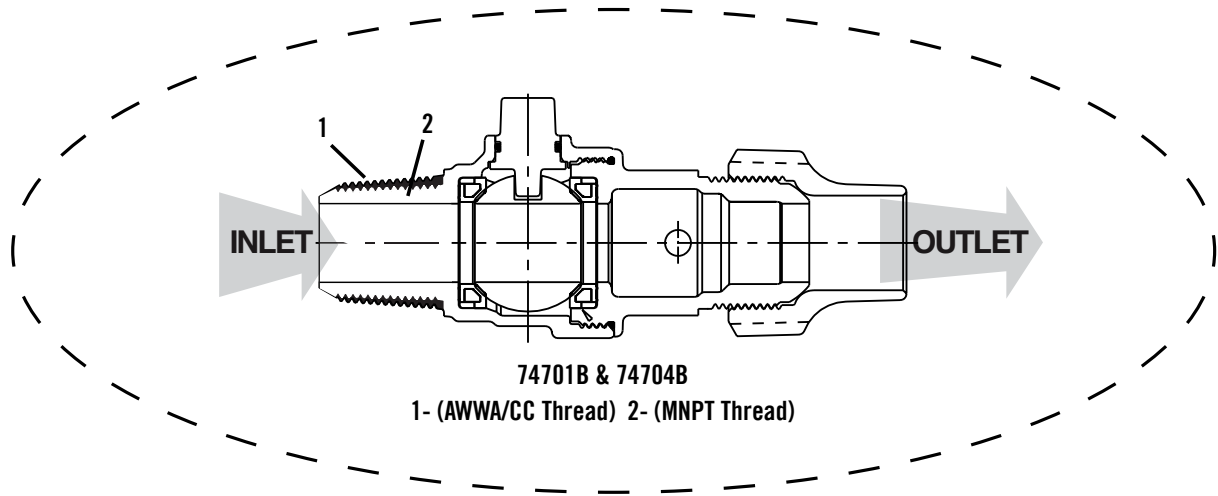
- For companion couplings for flare end, refer to the Service Fitting section in catalog, starting on page 197
- (FT) in the model number of 1 1/2" and 2" sized corporation valves designates Flare Thread Outlet I.E. 74701B-22 becomes 74701B-22FT
- (BCAP) in the model number designates a valve with a removable large operating head, see pages 82-83 - I.E. 74701B becomes 74701BCAP
- (DB) in the model number designates a valve with a dielectric bushing assembled water tight (these valves will not fit in tapping and drilling machines), see page 87 I.E. 74701B becomes 74701BDB
- (BSP) in the model number designates British Standard Pipe thread outlet (contact factory for availability and pricing)
- For additional outlet connection options, see page 20
- (RW) in the model number designates marking for "Reclaimed Water". (Contact factory for availability and pricing)
- (PITO) in the model number designates Pito tube inlet, see page 89





## Ball Style Corporation Stops

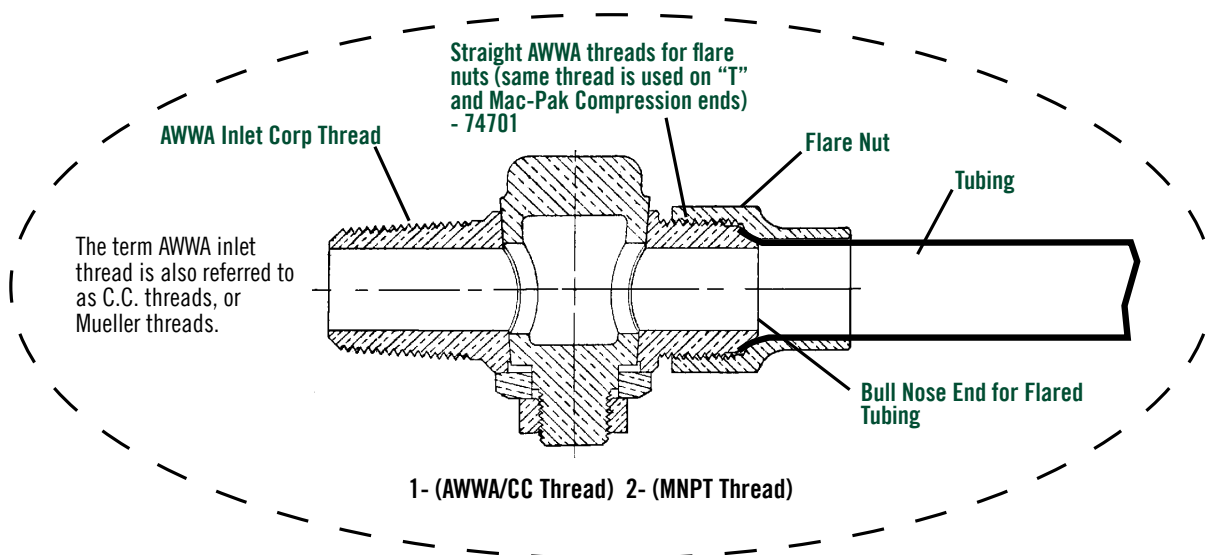
**A.Y. McDonald Ball Style Corporation Stops** come standard with a 360° operating head and are designed for low turning torques and operating pressures up to 300 PSI. The brass ball is coated with PTFE and supported by two blow-out proof EPDM seals. The end piece that holds the ball in the body is sealed with an EPDM O-ring and thread locker. A.Y. McDonald ball valves have no metal-to-metal contact between the ball and the body to cause higher turning torques and increased wear on the ball. The leak proof feature at 300 PSI rating makes these valves a better choice than a plug valve when test or operating pressures exceed 80 PSI.



Corporation Stops

## Plug Style Corporation Stops

**A.Y. McDonald Plug Style Corporation Stops** come standard with a 360° operating head. The one piece body and plug are precision machined to assure a perfect match between the plug and the body to allow operating pressures of 100 PSI on 1/2", 3/4" and 1" valves and 80 PSI on 1 1/4", 1 1/2" and 2" valves. This same machining precision carries over to the threads to assure A.Y. McDonald's high quality and compatibility with direct taps and saddle applications.



# Corporation Stops

A.Y. McDonald waterworks products are designed for reliable service. Like all brass products, however, they can be damaged by improper handling and use.

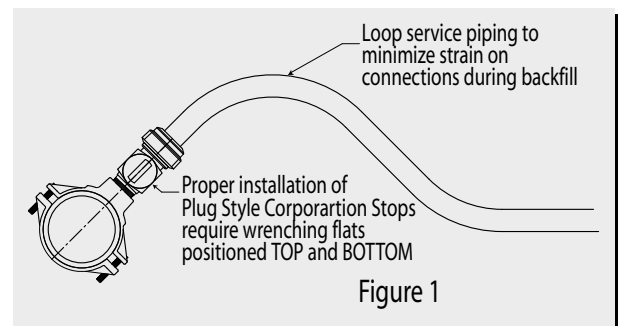
## CAUTION:

1. **PROTECT THREADS** Nicks or distorted threads, especially on tapered threads, can cause leaks.
2. **USE A GOOD THREAD SEALANT** where threads are intended to provide a leak-proof connection. Do not overtighten.
3. **DO NOT** use Vaseline®, plumber's grease, or any other petroleum product on seals or o-rings.
4. **USE ONLY A SMOOTH JAWED ADJUSTABLE WRENCH** on the flats provided nearest the thread being made up. Serrated pipe wrenches apply a loose, improper fit that can distort the body and cause a leak, especially on valves.
5. Plug style corp valves should be installed so that the wrenching flats of a tightened valve are positioned top and bottom (see Figure 1).
6. **AVOID DROPPING** or the use of a hammer on any plug or key type valve. Impacts, causing dents or distortion, can cause leaks by unseating the plug portion of the valve.
7. **PRESSURE TEST** for leaks before backfilling.
8. **FIELD TESTING** Special high pressure field testing may require capping the outlet of corporation stops, curb stops and angle meter stops.
9. **HIGH PRESSURE INSTALLATION** Standard AWWA tapered plug valves are intended for not more than 100 PSIG water in sizes 1/2", 3/4" and 1" and 80 PSIG water for 1 1/4", 1 1/2" and 2" valves.
10. **BACKFILL CAREFULLY** to avoid damage to the service line and connections. Loop service piping on corporation connections to minimize strain on the body and connections (See Figure 1).
11. Use extra care with high water pressures (over 100 PSIG) and pipe or tubing over 1". Consult factory if desired.
12. Keep valve clean and free from dirt and debris.
13. Protect valve from freezing, which may distort valve. In the event the valve does freeze, do not forcibly try to open or close the valve while the valve is frozen. This may destroy the valve.
14. If valve has compression style connection, read connection instruction sheet prior to installation.
15. All valves must be operated in the fully opened or fully closed position. Attempts to throttle flow by operating the valve in a partially open position may destroy the valve.

**NOTE:** For corps with C903 ends, remove C903 adapter prior to drilling. Reassemble C903 adapter to corp after drilling. Inspect all o-rings for damage prior to reassembly.

**NOTE:** For installations having pressures in excess of 100 PSIG (1/2", 3/4" and 1" corp stops) or 80 PSIG (1-1/4", 1-1/2" and 2" corp stops), the use of McDonald "ball-style" corporation stops is recommended. Ball corporations are for use with water only and are rated at 300 PSIG water pressure.

### FOR COLD WATER APPLICATIONS ONLY



DAMAGE CAUSED BY IMPROPER USE AND HANDLING WILL VOID OUR WARRANTY.

## Recommended Wrenching on Brass Valves and Fittings

---



Do NOT use a pipe wrench with serrated jaws



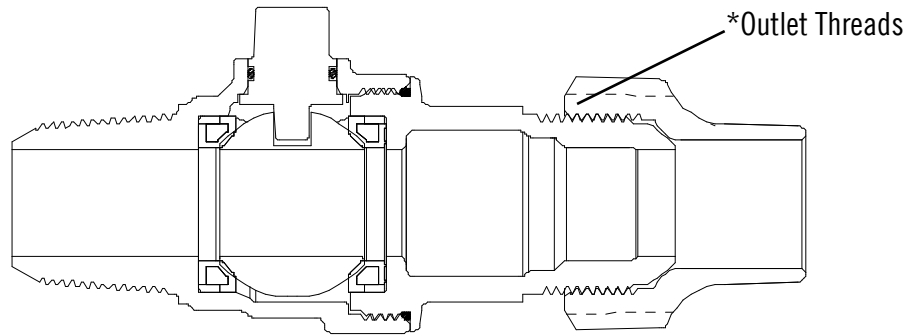
Use a wrench with smooth jaws



## Drilling Machine Adapters

**Maximum Size Drills** to be used with A.Y. McDonald Corporation Stops - Per AWWA C-800 Table 1

CORPORATION SIZE	1/2"	5/8"	5/8" x 3/4"	3/4"	3/4" x 1"	1"	1 1/4"	1 1/2"	2"
Corp Stop with AWWA Thread Inlet	7/16"	9/16"	9/16"	11/16"	11/16"	15/16"	1 3/16"	1 7/16"	1 7/8"
Corp Stop with I. P. Thread Inlet	7/16"	--	--	11/16"	11/16"	7/8"	1 1/8"	1 7/16"	1 3/4"



\*Threads per AWWA C-800, Table 4

CORPORATION MODEL / SIZE		OUTLET THREADS*	MUELLER DRILLING MACHINES		ROMAC TAPMATE TOO	HAYS DRILLING MACHINES		FORD DRILLING MODEL 77	REED DRILLING		RIDGID			SIMTAP		
			E-4 & E-5	D-4 & D-5		5930	5935		DMT000 & 2000	DMPVC	RT 1000	RT 3422	MLT 3401			
74701-22	5/8 x 3/4	74701B-22 3/4	74704T 3/4	74701G 3/4												
74701T	5/8 x 3/4	74701BQ 3/4	74704B-22 3/4	74704G 3/4												
74701-22	3/4	74701BT 3/4	74704BQ 3/4	74701BG 3/4	52019	37902	351-05-506	354-05-506	355-05-506	DMA2-3	08423	04426	83317	76057	92097	116A
74701Q	3/4	74704-22 3/4	74704BT 3/4	74704BG 3/4												
74701T	3/4	74704Q 3/4														
74701-33	3/4	74701B-55 3/4	74704Q 1	74701-3G 3/4												
74701-3Q	3/4	74701B-22 3/4 x 1	74704T 3/4 x 1	74704-3G 3/4												
74701-44	3/4	74701B-22 1	74704T 1	74701B-3G 3/4												
74701-55	3/4	74701BQ 1	74704B-33 3/4	74704B-3G 3/4												
74701-22	3/4 x 1	74701BT 3/4 x 1	74704B-3Q 3/4	74701G 1												
74701-22	1	74701BT 1	74704B-44 3/4	74704G 1												
74701Q	1	74704-33 3/4	74704B-55 3/4	74701BG 1	36750	37903	351-05-508	354-05-508	355-05-508	DMA2-4	08424	04427	83322	76067	92012	117A
74701T	3/4 x 1	74704-3Q 3/4	74704B-22 3/4 x 1	74704BG 1												
74701T	1	74704-44 3/4	74704B-22 1													
74701B-33	3/4	74704-55 3/4	74704BQ 1													
74701B-3Q	3/4	74704-22 3/4 x 1	74704BT 3/4 x 1													
74701B-44	3/4	74704-22 1	74704BT 1													
74701-33	1	74701B-44 1	74704-22 1 1/4	74701-3G 1												
74701-3Q	1	74701B-55 1	74704Q 1 1/4	74704-3G 1												
74701-44	1	74701B-22 1x 1 1/4	74704T 1x 1 1/4	74701B-3G 1												
74701-55	1	74701BQ 1x 1 1/4	74704T 1 1/4	74704B-3G 1												
74701-22	1 x 1 1/4	74701BT 1x 1 1/4	74704B-33 1	74701BG 1x 1 1/4												
74701-22	1 1/4	74704-33 1	74704B-3Q 1	74701G 1 1/4	45385	37904	351-05-510	354-05-510	355-05-510	DMA2-5	--	--	--	76072	92107	118A
74701Q	1 1/4	74704-3Q 1	74704B-44 1	74704G 1 1/4												
74701T	1 x 1 1/4	74704-44 1	74704B-55 1													
74701T	1 1/4	74704-55 1	74704B-22 1x 1 1/4													
74701B-33	1	74704-22 1x 1 1/4	74704BT 1x 1 1/4													
74701B-3Q	1															
74701Q	1 1/2	74701T 1 1/2	74704Q 1 1/2	74704G 1 1/2												
74701BQ	1 1/2	74701B-22 1 1/2	74704BQ 1 1/2	74701BG 1 1/2	501949	507644	351-05-712	--	--	DMA4-6-Q	--	--	--	84007	92157	121A
74701-22	1 1/2	74701BT 1 1/2	74701G 1 1/2	74704BG 1 1/2												
74701Q	2	74701B-22 1 1/2 x 2	74704B-22 1 1/2 x 2	74701G 2												
74701BQ	2	74701BT 1 1/2 x 2	74704BT 1 1/2 x 2	74704G 2												
74701-22	2	74704-22 2	74704Q 2	74701BG 2												
74701T	2	74704T 2	74704BQ 2	74704BG 2	508199	507645	351-05-716	--	--	DMA4-7-Q	--	--	--	84012	92162	124A
74701B-22	2	74704B-22 2														
74701BT	2	74704BT 2														
74701-22FT	1 1/2	74701B-44 1 1/2	74704B-22FT 1 1/2													
74701TFT	1 1/2	74704-22FT 1 1/2	74704BTFT 1 1/2													
74701B-22FT	1 1/2	74704TFT 1 1/2	74704B-44 1 1/2		501947	37905	351-05-512	--	355-05-512	DMA2-6	08425	--	--	76077	92112	120A
74701BTFT	1 1/2															
74701B-33	1 1/2	74701BTFT 2	74704-22FT 2													
74701B-22FT	1 1/2 x 2	74701B-33 2	74704TFT 2													
74701BTFT	1 1/2 x 2	74701B-44 2	74704B-22FT 2													
74701-22FT	2	74704B-33 1 1/2	74704BTFT 2		508201	37906	351-06-516	--	355-37	DMA2-7	08426	--	--	76082	92117	123A
74701TFT	2	74704B-22FT 1 1/2 x 2	74704B-33 2													
74701-22FT	2	74704BTFT 1 1/2 x 2	74704B-44 2													



# Tapping Machine Adapters

CORPORATION MODEL / SIZE				OUTLET THREADS*	MUELLER TAPPING MACHINES			HAYS TAPPING MACH. NO. B-1	REED CDTM1000 & 2000;TM1000	RIDGID MLT3401		
					NO. B-100 & B-101	NO. B	NO. A-2 & A-3					
74701-22	5/8 x 3/4		74701G	3/4	3/4" Flare	680600	680600	680600	353-06-106	98423	92182	
74701T	5/8 x 3/4		74704G	3/4								
74701-22	3/4	74704-22	3/4	74701BG								3/4
74701Q	3/4	74704Q	3/4	74704BG								3/4
74701T	3/4	74704T	3/4									
74701B-22	3/4	74704B-22	3/4									
74701BQ	3/4	74704BQ	3/4									
74701BT	3/4	74704BT	3/4	74701-3G								3/4
74701-33	3/4	74704-33	3/4	74704-3G								3/4
74701-3Q	3/4	74704-3Q	3/4	74701B-3G								3/4
74701-44	3/4	74704-44	3/4	74704B-3G	3/4							
74701-55	3/4	74704-55	3/4	74701G	1							
74701-22	3/4 x 1	74704-22	3/4 x 1	74704G	1							
74701-22	1	74704-22	1	74701BG	1							
74701Q	1	74704Q	1	74704BG	1							
74701T	3/4 x 1	74704T	3/4 x 1									
74701T	1	74704T	1									
74701B-33	3/4	74704B-33	3/4									
74701B-3Q	3/4	74704B-3Q	3/4									
74701B-44	3/4	74704B-44	3/4									
74701B-55	3/4	74704B-55	3/4									
74701B-22	3/4 x 1	74704B-22	3/4 x 1									
74701B-22	1	74704B-22	1									
74701BQ	1	74704BQ	1									
74701BT	3/4 x 1	74704BT	3/4 x 1	74701-3G	1							
74701BT	1	74704BT	1	74704-3G	1							
74701-33	1	74704-33	1	74701B-3G	1							
74701-3Q	1	74704-3Q	1	74704B-3G	1							
74701-44	1	74704-44	1	74701BG	1 x 1 1/4							
74701-55	1	74704-55	1	74701G	1 1/4							
74701-22	1 x 1 1/4	74704-22	1 x 1 1/4	74704G	1 1/4							
74701-22	1 1/4	74704-22	1 1/4									
74701Q	1 1/4	74704Q	1 1/4									
74701T	1 x 1 1/4	74704T	1 x 1 1/4									
74701T	1 1/4	74704T	1 1/4									
74701B-33	1	74704B-33	1									
74701B-3Q	1	74704B-3Q	1									
74701B-44	1	74704B-44	1									
74701B-55	1	74704B-55	1									
74701B-22	1 x 1 1/4	74704B-22	1 x 1 1/4									
74701BQ	1 x 1 1/4	74704BT	1 x 1 1/4									
74701BT	1 x 1 1/4		74701G	1 1/2								
74701Q	1 1/2	74704Q	1 1/2	74704G	1 1/2							
74701BQ	1 1/2	74704BQ	1 1/2	74701BG	1 1/2							
74701-22	1 1/2	74704-22	1 1/2	74704BG	1 1/2							
74701T	1 1/2	74704T	1 1/2									
74701B-22	1 1/2	74704B-22	1 1/2	74701G	2							
74701BT	1 1/2	74704BT	1 1/2	74704G	2							
74701Q	2	74704Q	2	74701BG	2							
74701BQ	2	74704BQ	2	74704BG	2							
74701-22	2	74704-22	2									
74701T	2	74704T	2									
74701B-22	2	74704B-22	2									
74701BT	2	74704BT	2									
74701B-22	1 1/2 x 2	74704B-22	1 1/2 x 2									
74701BT	1 1/2 x 2	74704BT	1 1/2 x 2									
74701-22FT	1 1/2	74704-22FT	1 1/2									
74701TFT	1 1/2	74704TFT	1 1/2									
74701B-22FT	1 1/2	74704B-22FT	1 1/2									
74701BTFT	1 1/2	74704BTFT	1 1/2									
74701B-44	1 1/2	74704B-44	1 1/2									
74701B-33	1 1/2	74704B-33	1 1/2									
74701B-22FT	1 1/2 x 2	74704B-22FT	1 1/2 x 2									
74701BTFT	1 1/2 x 2	74704BTFT	1 1/2 x 2									
74701-22FT	2	74704-22FT	2									
74701TFT	2	74704TFT	2									
74701B-22FT	2	74704B-22FT	2									
74701BTFT	2	74704BTFT	2									
74701B-33	2	74704B-33	2									
74701B-44	2	74704B-44	2									

Corporation Stops



## Ball Style - AWWA Inlets

A.Y. McDonald Ball Style Corporation Stops come standard with a 360° operating head and are designed for low turning torques and operating pressures up to 300 PSI. The brass ball is coated with PTFE and supported by two blow-out proof EPDM seals. The end piece that holds the ball in the body is sealed with an EPDM O-ring and thread locker. A.Y. McDonald ball valves have no metal-to-metal contact between the ball and the body to cause higher turning torques and increased wear on the ball. The leak proof feature at 300 PSI rating makes these valves a better choice than a plug valve when test or operating pressures exceed 80 PSI.

### 74701B

AWWA x Flare



Part No.	Size	Carton PCS/WT	Price
5133-116	3/4"	15/25	\$103.96
5139-157	3/4" x 1"	15/30	\$128.36
5133-113	1"	15/38	\$133.40
5142-013	1" x 1 1/4" +	10/32	\$197.12
5142-321	1 1/4"	8/38	\$301.73
5133-110	1 1/2"	4/25	\$315.84
5132-283	1 1/2" x 2"	4/32	\$437.89
5133-107	2"	2/20	\$551.71

### 74701B-22

AWWA x -22 CTS



Part No.	Size	Carton PCS/WT	Price
5133-152	3/4"	15/23	\$107.14
5139-158	3/4" x 1"	15/27	\$131.62
5133-163	1"	15/34	\$140.91
5142-029	1" x 1 1/4"	10/29	\$203.93
5142-322	1 1/4"	8/33	\$301.73
5133-172	1 1/2"	4/22	\$315.84
5131-045	1 1/2" x 2"	4/30	\$384.26
5133-181	2"	2/16	\$522.39

### 74701B-22FT

AWWA x -22 CTS with Flared Thread



Part No.	Size	Carton PCS/WT	Price
5133-457	1 1/2"	4/23	\$315.84
5133-434	1 1/2" x 2"	4/30	\$384.26
5133-439	2"	2/19	\$522.39

### 74701BG

AWWA x G CTS



Part No.	Size	Carton PCS/WT	Price
5192-103	3/4"	15/25	\$107.14
5192-267	3/4" x 1"	15/29	\$131.62
5192-035	1"	15/37	\$140.91
	1" x 1 1/4"	10/29	\$203.92
5142-324	1 1/4"	8/35	\$301.73
5192-015	1 1/2"	4/23	\$315.84
5192-117	1 1/2" x 2"	4/24	\$384.26
5192-019	2"	2/16	\$522.39

### OPTIONS

+74701B-44, 1" x 1 1/2", AWWA, MNPT x PVC Compression does not meet AWWA C800 envelope requirements. Will not fit in tapping machines.

+74701B, Size 1" x 1 1/4", AWWA x Flare ONLY does not meet AWWA C800 envelope requirements. Will not fit in tapping machines.

### 74701BGFT

AWWA x G CTS with Flared Thread



Part No.	Size	Carton PCS/WT	Price
5192-115	1 1/2"	4/23	\$315.84
5192-117	1 1/2" x 2"	4/29	\$384.26
5192-116	2"	2/18	\$522.39

### 74701BQ

AWWA x Q CTS



Part No.	Size	Carton PCS/WT	Price
5182-028	3/4"	15/23	\$107.14
5182-190	3/4" x 1"	15/29	\$131.62
5182-049	1"	15/36	\$140.91
5182-151	1" x 1 1/4"	10/29	\$203.93
5142-326	1 1/4"	8/34	\$301.73
5182-172	1 1/2"	4/21	\$315.84
5183-223	1 1/2" x 2"	4/24	\$384.26
5182-167	2"	2/15	\$522.39

### 74701BT

AWWA x T CTS



Part No.	Size	Carton PCS/WT	Price
5133-117	3/4"	15/24	\$107.14
5139-159	3/4" x 1"	15/27	\$131.62
5133-114	1"	15/36	\$140.91
5142-019	1" x 1 1/4"	10/31	\$203.93
5142-398	1 1/4"	8/33	\$301.73
5133-111	1 1/2"	4/21	\$315.84
5131-046	1 1/2" x 2"	4/28	\$384.26
5133-108	2"	2/15	\$522.39

### 74701BTFT

AWWA x T CTS with Flared Thread



Part No.	Size	Carton PCS/WT	Price
5133-449	1 1/2"	4/23	\$315.84
5133-428	1 1/2" x 2"	4/28	\$384.26
5133-426	2"	2/18	\$522.39

### 74701B-33

AWWA x -33 PEP-7



Part No.	Size	Carton PCS/WT	Price
5142-113	3/4"	15/27	\$131.62
5142-473	3/4" x 1"	15/33	\$151.01
5142-115	1"	10/29	\$161.15
5142-323	1 1/4"	8/38	\$355.47
5131-022	1 1/2"	4/30	\$384.26
5131-043	2"	2/18	\$551.71

### 74701B-34

AWWA x -34 PEP-9



Part No.	Size	Carton PCS/WT	Price
5123-181	3/4"	15/27	\$131.62
	3/4" x 1"	15/33	\$151.00
5123-203	1"	10/29	\$161.15
5125-030	1 1/4"	8/38	\$355.47
	1 1/2"	4/30	\$384.26
5125-045	2"	2/18	\$551.71

### 74701B-3G

AWWA x -3G PEP -7



Part No.	Size	Carton PCS/WT	Price
5192-443	3/4"	15/27	\$131.62
5192-223	1"	10/31	\$161.15

### 74701B-3Q

AWWA x -3Q PEP-7



Part No.	Size	Carton PCS/WT	Price
5182-259	3/4"	15/28	\$131.62
5183-353	3/4" x 1"	15/33	\$151.00
5182-242	1"	10/29	\$161.15

### 74701B-44

AWWA x -44 PVC



Part No.	Size	Carton PCS/WT	Price
5142-164	3/4"	15/26	\$131.62
5133-034	3/4" x 1"	15/33	\$151.01
5142-165	1"	10/30	\$161.15
5150-139	1 1/4"	8/40	\$355.47
5133-028	1 1/4" x 1 1/2"	10/42	\$270.33
5132-209	1 1/2"	4/23	\$417.19
5132-200	2"	2/18	\$551.71





# Ball Style - MNPT Inlets

A.Y. McDonald Ball Style Corporation Stops come standard with a 360° operating head and are designed for low turning torques and operating pressures up to 300 PSI. The brass ball is coated with PTFE and supported by two blow-out proof EPDM seals. The end piece that holds the ball in the body is sealed with an EPDM O-ring and thread locker. A.Y. McDonald ball valves have no metal-to-metal contact between the ball and the body to cause higher turning torques and increased wear on the ball. The leak proof feature at 300 PSI rating makes these valves a better choice than a plug valve when test or operating pressures exceed 80 PSI.

## 74704B

MNPT x Flare



Part No.	Size	Carton PCS/WT	Price
5133-118	3/4"	15/24	\$103.96
5139-160	3/4" x 1"	15/28	\$128.36
5133-115	1"	15/36	\$133.40
	1" x 1 1/4" +	15/48	\$197.12
5142-328	1 1/4"	8/36	\$301.73
5133-112	1 1/2"	4/24	\$315.84
5141-470	1 1/2" x 2"	4/32	\$437.88
5133-109	2"	2/19	\$551.71

## 74704B-22

MNPT x -22 CTS



Part No.	Size	Carton PCS/WT	Price
5133-153	3/4"	15/21	\$107.14
5139-161	3/4" x 1"	15/25	\$131.62
5133-164	1"	15/35	\$140.91
5133-417	1" x 1 1/4"	12/35	\$203.93
5142-329	1 1/4"	8/32	\$301.73
5133-173	1 1/2"	4/20	\$315.84
5131-047	1 1/2" x 2"	4/34	\$384.26
5133-182	2"	2/15	\$522.39

## 74704B-22FT

MNPT x -22 CTS with Flared Thread



Part No.	Size	Carton PCS/WT	Price
5133-458	1 1/2"	4/23	\$315.84
5133-435	1 1/2" x 2"	4/28	\$384.26
5133-440	2"	2/19	\$522.39

## 74704BG

MNPT x G CTS



Part No.	Size	Carton PCS/WT	Price
5192-105	3/4"	15/23	\$107.14
5142-475	3/4" x 1"	15/28	\$131.62
5192-077	1"	15/38	\$140.91
	1" x 1 1/4"	15/43	\$203.92
5142-331	1 1/4"	8/34	\$301.73
5192-016	1 1/2"	4/21	\$315.84
5192-122	1 1/2" x 2"	4/24	\$384.26
5192-020	2"	2/15	\$522.39

## 74704BGFT

MNPT x G CTS with Flared Thread



Part No.	Size	Carton PCS/WT	Price
5192-120	1 1/2"	4/22	\$315.84
5192-122	1 1/2" x 2"	4/34	\$384.26
5192-121	2"	2/17	\$522.39

## 74704BQ

MNPT x Q CTS



Part No.	Size	Carton PCS/WT	Price
5182-029	3/4"	15/23	\$107.14
	3/4" x 1"	15/28	\$131.61
5182-050	1"	15/37	\$140.91
5183-126	1" x 1 1/4"	12/35	\$203.93
5142-333	1 1/4"	8/32	\$301.73
5182-173	1 1/2"	4/20	\$315.84
5182-428	1 1/2" x 2"	4/24	\$384.26
5182-168	2"	2/15	\$522.39

## 74704BT

MNPT x T CTS



Part No.	Size	Carton PCS/WT	Price
5133-123	3/4"	15/22	\$107.14
5139-162	3/4" x 1"	15/31	\$131.62
5133-122	1"	15/36	\$140.91
	1" x 1 1/4"	15/44	\$203.92
	1 1/4"	8/32	\$301.73
5133-120	1 1/2"	4/21	\$315.84
5131-048	1 1/2" x 2"	4/35	\$384.26
5133-121	2"	2/14	\$522.39

## 74704BTFT

MNPT x T CTS with Flared Thread



Part No.	Size	Carton PCS/WT	Price
5133-450	1 1/2"	15/22	\$315.84
5133-429	1 1/2" x 2"	15/31	\$384.26
5133-427	2"	15/36	\$522.39

## 74704B-33

MNPT x -33 PEP-7



Part No.	Size	Carton PCS/WT	Price
5142-117	3/4"	15/25	\$131.62
5149-402	3/4" x 1"	15/31	\$151.01
5142-119	1"	10/29	\$161.15
5142-330	1 1/4"	8/37	\$355.47
5131-023	1 1/2"	4/29	\$384.26
5131-033	2"	2/18	\$551.71

## 74704B-34

MNPT x -34 PEP-9



Part No.	Size	Carton PCS/WT	Price
5123-190	3/4"	15/25	\$131.62
	3/4" x 1"	15/31	\$151.00
5123-224	1"	10/29	\$161.15
5125-032	1 1/4"	8/37	\$355.47
	1 1/2"	4/29	\$384.26
5125-046	2"	2/18	\$551.71

## 74704B-3G

MNPT x -3G PEP-7



Part No.	Size	Carton PCS/WT	Price
5192-324	3/4"	15/28	\$131.62
5192-305	1"	10/30	\$161.15

## 74704B-3Q

MNPT x -3Q PEP-7



Part No.	Size	Carton PCS/WT	Price
5182-257	3/4"	15/27	\$131.62
5183-354	3/4" x 1"	15/31	\$151.00
5182-240	1"	10/29	\$161.15

## 74704B-44

MNPT x -44 PVC



Part No.	Size	Carton PCS/WT	Price
5142-168	3/4"	15/26	\$131.62
5133-036	3/4" x 1"	15/32	\$151.01
5142-169	1"	10/30	\$161.15
5150-140	1 1/4"	8/40	\$355.47
5133-251	1" x 1 1/2" +	10/39	\$270.33
5133-209	1 1/2"	4/21	\$384.26
5133-211	2"	2/17	\$551.71

### OPTIONS

+74704B-44, 1" x 1 1/2", AWWA, MNPT x PVC Compression does not meet AWWA C800 envelope requirements. Will not fit in tapping machines.

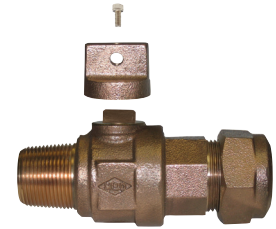
+74704B, Size 1" x 1 1/4", AWWA x Flare ONLY does not meet AWWA C800 envelope requirements. Will not fit in tapping machines.

## Ball Style Corp / Curb with Removable Tee Heads

### AWWA INLETS

A.Y. McDonald Ball Style Corporation Stops come standard with a 360° operating head and are designed for low turning torques and operating pressures up to 300 PSI. The brass ball is coated with PTFE and supported by two blow-out proof EPDM seals. The end piece that holds the ball in the body is sealed with an EPDM O-ring and thread locker. A.Y. McDonald ball valves have no metal-to-metal contact between the ball and the body to cause higher turning torques and increased wear on the ball. The leak proof feature at 300 PSI rating makes these valves a better choice than a plug valve when test or operating pressures exceed 80 PSI.

For use in applications requiring a corp stop, but with a tee head for use with a shut off rod. Meets AWWA C-800 envelope requirements by removing operating head via 9/64 hex head stainless steel set screw.



### 73121BCAP

AWWA x Increasing MNPT Thread



Part No.	Size	Carton PCS/WT	Price
5141-482	1 1/4"	8/35	\$309.08
5146-278	1 1/2"	4/20	\$322.72
5141-411	2"	2/15	\$527.05

NOTE: With internal drive thread

### 74101BCAPF

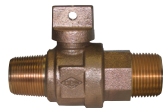
AWWA x FNPT



Part No.	Size	Carton PCS/WT	Price
5126-023	3/4"	15/22	\$111.51
5131-386	1"	15/33	\$142.22
5146-410	1 1/4"	8/28	\$311.27
5119-152	1 1/2"	4/20	\$329.10
5131-477	2"	2/14	\$517.76

### 74101BCAPP

AWWA x MNPT



Part No.	Size	Carton PCS/WT	Price
5117-180	3/4"	15/22	\$115.85
5131-470	1"	15/34	\$146.04
	1 1/4"	8/28	\$299.45
	1 1/2"	4/20	\$313.35
5129-078	2"	2/14	\$517.76

### 74101BCAP

AWWA x Flare



Part No.	Size	Carton PCS/WT	Price
5131-394	3/4"	15/31	\$127.46
5141-376	1"	12/34	\$156.91
	1 1/4"	8/40	\$325.23
	1 1/2"	4/26	\$339.34
	2"	2/17	\$575.20

### 74101BCAP-22

AWWA x -22 CTS



Part No.	Size	Carton PCS/WT	Price
5131-324	3/4"	15/27	\$130.65
5131-325	1"	12/34	\$164.40
	1 1/4"	8/40	\$325.23
5131-329	1 1/2"	4/26	\$339.34
5126-020	1 1/2" x 2"	4/27	\$407.76
5131-337	2"	2/17	\$545.90

### 74101BCAP-22FT

AWWA x -22 CTS with Flared Thread



Part No.	Size	Carton PCS/WT	Price
5133-454	1 1/2"	4/24	\$339.34
5131-971	1 1/2" x 2"	4/31	\$407.76
5133-437	2"	2/19	\$545.90

### 74101BCAPG

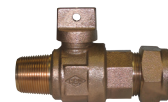
AWWA x G CTS



Part No.	Size	Carton PCS/WT	Price
5192-369	3/4"	15/27	\$130.65
5192-379	1"	12/34	\$164.40
	1 1/4"	8/40	\$325.23
	1 1/2"	4/26	\$339.34
	1 1/2" x 2"	4/27	\$407.75
	2"	2/17	\$545.90

### 74101BCAPQ

AWWA x Q CTS



Part No.	Size	Carton PCS/WT	Price
5131-359	3/4"	15/29	\$130.65
5131-358	1"	12/34	\$164.40
	1 1/4"	8/40	\$325.23
5182-451	1 1/2"	4/21	\$339.34
5126-022	1 1/2" x 2"	4/26	\$407.76
5131-393	2"	2/15	\$545.90

### 74101BCAPT

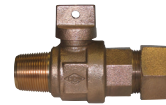
AWWA x T CTS



Part No.	Size	Carton PCS/WT	Price
5123-075	3/4"	15/28	\$130.65
5123-076	1"	15/40	\$164.40
	1 1/4"	8/40	\$325.23
	1 1/2"	4/26	\$339.34
	1 1/2" x 2"	4/27	\$407.75
5125-195	2"	2/17	\$545.90

### 74101BCAPTFT

AWWA x T CTS with Flared Thread



Part No.	Size	Carton PCS/WT	Price
	1 1/2"	4/26	\$339.34
	1 1/2" x 2"	4/27	\$407.75
	2"	2/17	\$545.90

### 74101BCAP-33

AWWA x -33 PEP-7



Part No.	Size	Carton PCS/WT	Price
	3/4"	15/28	\$155.11
5141-478	1"	15/40	\$184.64
	1 1/4"	8/40	\$378.97
	1 1/2"	4/26	\$407.75
5140-062	2"	2/20	\$575.21

### 74101BCAP-34

AWWA x -34 PEP-9



Part No.	Size	Carton PCS/WT	Price
	3/4"	15/28	\$155.11
	1"	15/40	\$184.64
	1 1/4"	8/40	\$378.97
	1 1/2"	4/26	\$407.75
	2"	2/20	\$575.20

### 74101BCAP-3G

AWWA x -3G PEP-7



Part No.	Size	Carton PCS/WT	Price
	3/4"	15/28	\$155.11
	1"	15/40	\$184.64

### 74101BCAP-3Q

AWWA x -3Q PEP-7



Part No.	Size	Carton PCS/WT	Price
	3/4"	15/28	\$155.11
	1"	15/40	\$184.64

### 74101BCAP-44

AWWA x -44 PVC



Part No.	Size	Carton PCS/WT	Price
	3/4"	15/28	\$155.11
5142-460	1"	12/36	\$184.64
	1 1/4"	8/40	\$378.97
	1 1/2"	4/26	\$407.75
5140-087	2"	2/20	\$575.21



# Ball Style Corps / Curb with Removable Tee Heads

## MNPT INLETS

A.Y. McDonald Ball Style Corporation Stops come standard with a 360° operating head and are designed for low turning torques and operating pressures up to 300 PSI. The brass ball is coated with PTFE and supported by two blow-out proof EPDM seals. The end piece that holds the ball in the body is sealed with an EPDM O-ring and thread locker. A.Y. McDonald ball valves have no metal-to-metal contact between the ball and the body to cause higher turning torques and increased wear on the ball. The leak proof feature at 300 PSI rating makes these valves a better choice than a plug valve when test or operating pressures exceed 80 PSI.

For use in applications requiring a corp stop inlet thread, but with a tee head for use with a shut off rod. Meets AWWA C-800 envelope requirements by removing operating head via 9/64 hex head set stainless steel screw.

### 74104BCAPF

MNPT x FNPT



Part No.	Size	Carton PCS/WT	Price
5126-021	3/4"	15/21	\$111.51
5131-364	1"	15/31	\$142.22
5142-412	1 1/4"	8/30	\$311.27
5131-332	1 1/2"	4/18	\$329.10
5131-339	2"	2/12	\$517.76

### 74104BCAPP

MNPT x MNPT



Part No.	Size	Carton PCS/WT	Price
5132-498	3/4"	15/22	\$115.86
5123-165	1"	15/33	\$146.04
5141-492	1 1/4"	8/28	\$299.45
5131-333	1 1/2"	4/18	\$313.36
5131-340	2"	2/13	\$517.76

### 74104BCAP

MNPT x Flare



Part No.	Size	Carton PCS/WT	Price
5131-456	3/4"	15/30	\$127.46
5141-456	1"	12/34	\$156.91
	1 1/4"	8/40	\$325.23
	1 1/2"	4/26	\$339.34
	2"	2/17	\$575.20

### 74104BCAP-22

MNPT x -22 CTS



Part No.	Size	Carton PCS/WT	Price
5131-320	3/4"	15/26	\$130.65
5131-326	1"	15/40	\$164.40
	1 1/4"	8/40	\$325.23
5131-330	1 1/2"	4/22	\$339.34
	1 1/2" x 2"	4/27	\$407.75
5131-336	2"	2/17	\$545.90

### 74104BCAP-22FT

MNPT x -22 CTS with Flared Thread



Part No.	Size	Carton PCS/WT	Price
5133-455	1 1/2"	4/24	\$348.79
	1 1/2" x 2"	4/27	\$407.75
5133-436	2"	2/18	\$545.90

### 74104BCAPG

MNPT x G CTS



Part No.	Size	Carton PCS/WT	Price
	3/4"	15/26	\$130.64
5192-321	1"	12/34	\$164.40
	1 1/4"	8/40	\$325.23
	1 1/2"	4/22	\$339.34
	1 1/2" x 2"	4/27	\$407.75
5192-322	2"	2/15	\$545.90

### 74104BCAPQ

MNPT x Q CTS



Part No.	Size	Carton PCS/WT	Price
5183-161	3/4"	15/28	\$130.65
5142-466	1"	15/40	\$164.40
	1 1/4"	8/40	\$325.23
5131-334	1 1/2"	4/21	\$348.79
	1 1/2" x 2"	4/27	\$407.75
5131-341	2"	2/15	\$545.90

### 74104BCAPT

MNPT x T CTS



Part No.	Size	Carton PCS/WT	Price
5131-323	3/4"	15/23	\$130.65
5131-328	1"	12/33	\$164.40
	1 1/4"	8/40	\$325.23
5131-335	1 1/2"	4/23	\$348.79
	1 1/2" x 2"	4/27	\$407.75
5131-342	2"	2/14	\$545.90

### 74104BCAPTFT

MNPT x T CTS with Flared Thread



Part No.	Size	Carton PCS/WT	Price
5133-448	1 1/2"	4/23	\$348.79
	1 1/2" x 2"	4/27	\$407.75
5133-424	2"	2/17	\$545.90

### 74104BCAP-3G

MNPT x -3G PEP



Part No.	Size	Carton PCS/WT	Price
	3/4"	15/28	\$155.11
	1"	15/40	\$184.64

### 74104BCAP-3Q

MNPT x -3Q PEP-7



Part No.	Size	Carton PCS/WT	Price
	3/4"	15/28	\$155.11
	1"	15/40	\$184.64

### 74104BCAP-33

MNPT x -33 PEP-7



Part No.	Size	Carton PCS/WT	Price
5131-321	3/4"	15/31	\$155.12
5131-327	1"	10/32	\$184.64
	1 1/4"	8/40	\$378.97
	1 1/2"	4/26	\$407.75
5140-063	2"	2/18	\$575.21

### 74104BCAP-34

MNPT x -34 PEP-9



Part No.	Size	Carton PCS/WT	Price
	3/4"	15/31	\$155.11
	1"	10/32	\$184.64
	1 1/4"	8/40	\$378.97
	1 1/2"	4/26	\$407.75
	2"	2/18	\$575.20

### 74104BCAP-44

MNPT x -44 PVC



Part No.	Size	Carton PCS/WT	Price
5131-322	3/4"	15/28	\$155.12
5142-484	1"	10/32	\$184.64
5141-471	1 1/4"	8/40	\$378.97
5131-331	1 1/2"	4/24	\$407.76
5131-338	2"	2/19	\$575.21

### 4100CAP

Cap & Screw



Part No.	Size	Carton PCS/WT	Price
4131-482	3/4"	25/8	\$23.50
4131-483	1"	25/9	\$23.50
4131-484	1 1/4" - 2"	25/8	\$23.50

Requires stem with tap

Reclaimed water Cap & Screw painted purple - Adder \$9.74

Add RWPP to model number. Example: 74101BCAPQ becomes 74101BCAPQRWPP



# Ball Style Corps / Curb with Non-Removable Tee Heads

## AWWA INLETS

A.Y. McDonald Ball Style Corporation Stops with Non-Removable Tee Heads come standard with a 90° operating head and are designed for low turning torques and operating pressures up to 300 PSI. The brass ball is coated with PTFE and supported by two blow-out proof EPDM seals. The end piece that holds the ball in the body is sealed with an EPDM O-ring and thread locker. A.Y. McDonald ball valves have no metal-to-metal contact between the ball and the body to cause higher turning torques and increased wear on the ball. The leak proof feature at 300 PSI rating makes these valves a better choice than a plug valve when test or operating pressures exceed 80 PSI.

- All A.Y. McDonald Ball Style Corporation Stops with Non-Removable Tee Heads are available with a wide variety of outlet connections.
- Each A.Y. McDonald Ball Style Corporation Stop with Non-Removable Tee Heads is pressure tested prior to packaging.
- Assembly is shipped with a color coded inlet thread protector - Green for AWWA/CC threads, Yellow for AWWA MNPT.
- A.Y. McDonald 3/4" and 1" "G", "H", "K", "Q", "T", "-22" and 1 1/4" "Q" series compression and flare outlets use the same female screw plug. The 1 1/2" and 2" "G", "Q", "T" and "-22" Series use special female screw plugs.
- A.Y. McDonald 3/4" and 1" "-3G", "-3Q", "-33", "-34", "-44", "-55", and 1 1/2" "-33" are one size larger thread. Example: 3/4" "-33" is 1" AWWA flare nut thread. See charts pages 78-79.
- Insert stiffeners are required for use in all PE applications.



**74101BF**  
AWWA x FNPT

Part No.	Size	Carton PCS/WT	Price
5131-488	3/4"	15/23	\$118.10



**74101BG**  
AWWA x G CTS

Part No.	Size	Carton PCS/WT	Price
	3/4"	15/28	\$137.23
5133-498	1"	10/31	\$171.01
	1 1/2"	3/21	\$348.79
	2"	3/33	\$555.18



**74101BTFT**  
AWWA x T CTS

Part No.	Size	Carton PCS/WT	Price
	1 1/2"	3/17	\$348.79
5133-425	2"	3/31	\$555.18



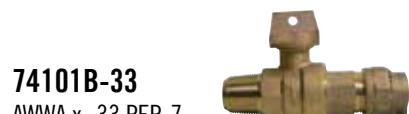
**74101B**  
AWWA x Flare

Part No.	Size	Carton PCS/WT	Price
5129-088	3/4"	15/30	\$134.02



**74101BQ**  
AWWA x Q CTS

Part No.	Size	Carton PCS/WT	Price
5131-316	3/4"	15/29	\$137.23
5132-444	1"	10/31	\$171.01
5182-450	1 1/2"	3/17	\$348.79
5183-399	2"	3/33	\$555.18



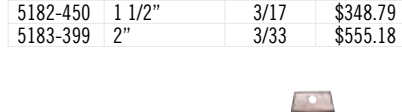
**74101B-33**  
AWWA x -33 PEP-7

Part No.	Size	Carton PCS/WT	Price
5133-495	2"	2/20	\$584.60



**74101B-22**  
AWWA x -22 CTS

Part No.	Size	Carton PCS/WT	Price
5131-317	3/4"	15/28	\$137.23
5132-344	1"	10/28	\$171.01
5126-036	1 1/4"	8/30	\$325.08
5132-345	1 1/2"	3/21	\$348.79
5132-330	2"	3/33	\$555.18



**74101BT**  
AWWA x T CTS

Part No.	Size	Carton PCS/WT	Price
5131-318	3/4"	15/29	\$137.23
5129-084	1"	10/29	\$171.01
	1 1/2"	3/17	\$348.79
5131-395	2"	3/27	\$555.18



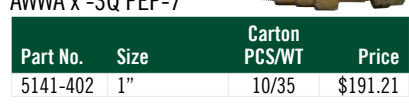
**74101B-34**  
AWWA x -34 PEP-9

Part No.	Size	Carton PCS/WT	Price
	2"	2/20	\$584.57



**74101B-22FT**  
AWWA x -22 CTS

Part No.	Size	Carton PCS/WT	Price
5133-453	1 1/2"	3/20	\$348.79
5133-438	2"	3/32	\$555.18



**74101B-3Q**  
AWWA x -3Q PEP-7

Part No.	Size	Carton PCS/WT	Price
5141-402	1"	10/35	\$191.21



**74101B-44**  
AWWA x -44 PVC

Part No.	Size	Carton PCS/WT	Price
5131-421	2"	3/32	\$584.60
5131-469	1 1/2"	2/16	\$417.20

Corporation Stops





# Ball Style Corps / Curb with Non-Removable Tee Heads

## MNPT INLETS

**A.Y. McDonald Ball Style Corporation Stops with Non-Removable Tee Heads** come standard with a 90° operating head and are designed for low turning torques and operating pressures up to 300 PSI. The brass ball is coated with PTFE and supported by two blow-out proof EPDM seals. The end piece that holds the ball in the body is sealed with an EPDM O-ring and thread locker. A.Y. McDonald ball valves have no metal-to-metal contact between the ball and the body to cause higher turning torques and increased wear on the ball. The leak proof feature at 300 PSI rating makes these valves a better choice than a plug valve when test or operating pressures exceed 80 PSI.

- All A.Y. McDonald Ball Style Corporation Stops with Non-Removable Tee Heads are available with a wide variety of outlet connections.
- Each A.Y. McDonald Ball Style Corporation Stop with Non-Removable Tee Heads is pressure tested prior to packaging.
- Assembly is shipped with a color coded inlet thread protector - Green for AWWA/CC threads, Yellow for AWWA MNPT.
- A.Y. McDonald 3/4" and 1" "G", "H", "K", "Q", "T", "-22" and 1 1/4" "Q" series compression and flare outlets use the same female screw plug. The 1 1/2" and 2" "G", "Q", "T" and "-22" Series use special female screw plugs.
- A. Y. McDonald 3/4" and 1" "-3G", "-3Q", "-33", "-34", "-44", "-55", and 1 1/2" "-33" are one size larger thread. Example: 3/4" "-33" is 1" AWWA flare nut thread. See charts pages 78-79.
- Insert stiffeners are required for use in all PE applications.

### 74104BF

MNPT x FNPT



Part No.	Size	Carton PCS/WT	Price
5126-018	3/4"	15/21	\$118.10
5126-240	1"	10/23	\$148.71
5126-006	1 1/2"	3/15	\$338.50
5126-007	2"	3/21	\$527.20

### 74104BQ

MNPT x Q CTS



Part No.	Size	Carton PCS/WT	Price
5126-115	3/4"	15/29	\$137.23
5182-321	1"	10/29	\$171.01
5182-174	1 1/2"	3/18	\$348.79
5182-169	2"	3/24	\$555.18

### 74104B-33

MNPT x -33 PEP-7



Part No.	Size	Carton PCS/WT	Price
5126-015	3/4"	15/32	\$161.68
5126-017	1"	10/35	\$191.25

### 74104BP

MNPT x MNPT



Part No.	Size	Carton PCS/WT	Price
5126-014	3/4"	15/24	\$122.47
5126-001	1"	10/24	\$152.57
5126-008	1 1/2"	3/15	\$322.77
5126-009	2"	3/23	\$527.20

### 74104BT

MNPT x T CTS



Part No.	Size	Carton PCS/WT	Price
5126-010	3/4"	15/27	\$137.23
5126-011	1"	10/29	\$171.01
5126-013	1 1/2"	3/19	\$348.79
5126-012	2"	3/31	\$555.18

### 74104B-34

MNPT x -34 PEP-9



Part No.	Size	Carton PCS/WT	Price
	3/4"	15/32	\$161.67
	1"	10/35	\$191.25

### 74104B-22

MNPT x -22 CTS



Part No.	Size	Carton PCS/WT	Price
5126-000	3/4"	15/27	\$137.23
5126-001	1"	10/27	\$171.01
5126-002	1 1/2"	3/18	\$348.79
5126-003	2"	3/25	\$555.18

### 74104BTFT

MNPT x T CTS with Flared Thread



Part No.	Size	Carton PCS/WT	Price
5133-445	1 1/2"	3/18	\$348.79
5133-423	2"	3/26	\$555.18

### 74104B-3Q

MNPT x -3Q PEP-7



Part No.	Size	Carton PCS/WT	Price
5133-383	1"	10/34	\$191.25

### 74104B-44

MNPT x -44 PVC



Part No.	Size	Carton PCS/WT	Price
5126-016	3/4"	15/32	\$161.68
5126-004	1 1/2"	3/18	\$417.20
5126-005	2"	3/29	\$584.60

### 74104B-22FT

MNPT x -22 CTS with Flared Thread



Part No.	Size	Carton PCS/WT	Price
5133-452	1 1/2"	3/19	\$348.79
5133-433	2"	3/30	\$555.18



## Ball Style - Threaded Outlets

A.Y. McDonald Ball Style Corporation Stops come standard with a 360° operating head and are designed for low turning torques and operating pressures up to 300 PSI. The brass ball is coated with PTFE and supported by two blow-out proof EPDM seals. The end piece that holds the ball in the body is sealed with an EPDM O-ring and thread locker. A.Y. McDonald ball valves have no metal-to-metal contact between the ball and the body to cause higher turning torques and increased wear on the ball. The leak proof feature at 300 PSI rating makes these valves a better choice than a plug valve when test or operating pressures exceed 80 PSI.

### AWWA INLETS

#### 73120B

AWWA x Special Purpose Thread



Part No.	Size	Carton PCS/WT	Price
5140-080	3/4"	25/34	\$86.88
5140-022	1"	15/31	\$128.88

NOTE: 73120B outlet has internal drive thread



#### 73128B

AWWA x MNPT



Part No.	Size	Carton PCS/WT	Price
5133-022	3/4"	15/18	\$92.36
5139-046	1"	15/29	\$122.53
5142-317	1 1/4"	8/28	\$275.97
5139-133	1 1/2"	4/19	\$289.87
5139-134	2"	2/13	\$494.27

#### 73148B

AWWA x FNPT



Part No.	Size	Carton PCS/WT	Price
5139-024	3/4"	15/17	\$88.00
5139-002	1"	15/27	\$118.72
5142-319	1 1/4"	8/27	\$287.78
5139-131	1 1/2"	4/17	\$305.61
5139-049	1 1/2" x 2"	4/26	\$352.52
5139-132	2"	2/13	\$494.27

#### 73121B

AWWA x Increase MNPT Thread



Part No.	Inlet	Outlet	Carton PCS/WT	Price
5140-010	3/4"	1"	25/33	\$103.73
5140-012	1"	1 1/4"	15/30	\$131.24
5142-315	1 1/4"	1 1/2"	8/32	\$284.89
5140-014	1 1/2"	2"	4/19	\$289.87
5140-016	2"	2 1/2"	2/15	\$494.27

NOTE: 73121B outlet has internal drive thread



### MNPT INLETS

#### 73122B

MNPT x Increase MNPT Thread



Part No.	Inlet	Outlet	Carton PCS/WT	Price
5140-011	3/4"	1"	25/32	\$103.73
5140-013	1"	1 1/4"	15/31	\$131.24
5142-316	1 1/4"	1 1/2"	8/30	\$284.89
5140-015	1 1/2"	2"	4/20	\$289.87
5140-017	2"	2 1/2"	2/14	\$494.27

NOTE: 73122B outlet has internal drive thread



#### 73131B

MNPT x MNPT



Part No.	Size	Carton PCS/WT	Price
5133-103	3/4"	15/18	\$92.36
5133-102	1"	15/28	\$122.53
5142-318	1 1/4"	8/27	\$275.97
5133-100	1 1/2"	4/18	\$289.87
5133-101	2"	2/13	\$494.27

#### 73149B

MNPT x FNPT



Part No.	Size	Carton PCS/WT	Price
5139-322	3/4"	15/16	\$88.00
5139-016	1"	15/27	\$118.72
5142-320	1 1/4"	8/26	\$287.78
5139-127	1 1/2"	4/17	\$305.61
5139-381	1 1/2" x 2"	4/25	\$352.52
5139-128	2"	2/12	\$494.27





# Insulated Corp Stops

Stray electrical currents can be present in water service lines and can cause issues in the metallic piping systems, including shock hazards for field personnel and accelerated corrosion of water distribution system components.

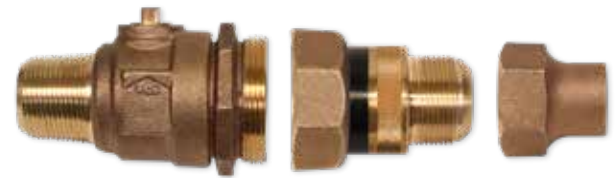
Common situations that can create stray electrical currents and cause significant problems in a water distribution system are:

- Use of the domestic plumbing as a ground for the electrical system
- The proliferation of electronic and speed control appliances
- Operation of an electrical mass transit system on rails
- Proximity of cathodic-protected systems to water distribution mains

Insulated products are a simple, cost effective way to fight stray currents and the problems associated with them in metallic service lines and mains either in new or existing lines. They help utilities to insulate their systems with a minimum of change to existing service line materials, specifications and installation procedures, saving both time and money.

## Features

- Nylon insulator has high dielectric, high compressive and impact strength
- EPDM o-ring in nylon endpiece with tabs to prevent o-ring from falling out
- Convenience of a union and an insulator in one product. A similar A.Y. McDonald union and insulator has been proven and used in the natural gas industry for years.
- Robust No-Lead Brass that conforms to ASTM B584, UNS C89833 (latest revision)
- Manufactured in compliance with ANSI/AWWA C800 (latest revision)
- PTFE coated brass ball rotates 360 degrees
- Valve rated for 300 PSIG water pressure, end connections not to exceed rated pipe pressures
- Blowout proof EPDM port seals
- End piece joint sealed with an EPDM o-ring and thread locker



- INLET THREAD OPTIONS:**
- AWWA (CC)
  - MNPT
- OUTLET CONNECTION OPTIONS:**
- Flare
  - FNPT
  - -22 Mac-Pak CTS Compression
  - Q CTS Compression
  - T CTS Compression
  - G CTS Compression

Corporation Stops

### 73148BDU

AWWA x FNPT

Part No.	Size	Carton PCS/WT	Price
5117-176	3/4"	15/27	\$207.40
5117-178	1"	8/28	\$281.30

### 74701BDU

AWWA x FLARE

Part No.	Size	Carton PCS/WT	Price
5117-177	3/4"	15/42	\$275.44
5117-179	1"	10/43	\$354.84

### 74701BDUQ

AWWA x Q CTS

Part No.	Size	Carton PCS/WT	Price
5184-000	3/4"	15/39	\$252.59
5184-001	1"	8/31	\$316.37

### 74701BDU-22

AWWA x -22 CTS

Part No.	Size	Carton PCS/WT	Price
	3/4"		\$252.59
	1"		\$316.37

### 74704BDU

MNPT x FLARE

Part No.	Size	Carton PCS/WT	Price
5117-185	3/4"	15/40	\$275.44
5117-186	1"	15/64	\$354.84

### 74704BDUQ

MNPT x Q CTS

Part No.	Size	Carton PCS/WT	Price
5184-004	3/4"	15/34	\$252.59
5184-005	1"	15/60	\$316.37

### 74704BDU-22

AWWA x -22 CTS

Part No.	Size	Carton PCS/WT	Price
	3/4"		\$252.59
	1"		\$316.37



## Ball Style with Dielectric Bushings

A.Y. McDonald Ball Style Corporation Stops with Dielectric Bushings come standard with a 360° operating head and are designed for low turning torques and operating pressures up to 300 PSI. The brass ball is coated with PTFE and supported by two blow-out proof EPDM seals. The end piece that holds the ball in the body is sealed with an EPDM O-ring and thread locker. A.Y. McDonald ball valves have no metal-to-metal contact between the ball and the body to cause higher turning torques and increased wear on the ball. The leak proof feature at 300 PSI rating makes these valves a better choice than a plug valve when test or operating pressures exceed 80 PSI.

- All A.Y. McDonald Ball Style Corporation Stops with Dielectric Bushings are available with a wide variety of outlet connections.
- Each A.Y. McDonald Ball Style Corporation Stop with Dielectric Bushing is pressure tested prior to packaging.
- Assembly is shipped with a color coded inlet thread protector - Green for AWWA/CC threads, Yellow for AWWA MNPT.
- A.Y. McDonald 3/4" and 1" "G", "H", "K", "Q", "T", "-22" and 1 1/4" "Q" series compression and flare outlets use the same female screw plug. The 1 1/2" and 2" "G", "Q", "T", and "-22" Series use special female screw plugs.
- A.Y. McDonald 3/4" and 1" "-3G", "-3Q", "-33", "-34", "-44", "-55", and 1 1/2" "-33" are one size larger thread.  
Example: 3/4" "-33" is 1" AWWA flare nut thread. See charts pages 78-79.
- Insert stiffeners are required for use in all PE applications.

### AWWA INLETS

#### 74701BDB

AWWA x Flare



Part No.	Size	Carton PCS/WT	Price
5121-033	3/4"	15/30	\$159.02
5121-032	1"	10/32	\$238.88
5119-196	1 1/2"	4/27	\$537.57
5125-070	2"	2/24	\$890.18

#### 74701BDBG

AWWA x G CTS



Part No.	Size	Carton PCS/WT	Price
	3/4"	15/30	\$161.68
	1"	10/28	\$228.23
	1 1/2"	4/27	\$537.57
	2"	2/15	\$890.16

#### 74701BDBT

AWWA x T CTS



Part No.	Size	Carton PCS/WT	Price
	3/4"	15/29	\$161.68
	1"	10/29	\$228.23
	1 1/2"	4/27	\$537.57
	2"	2/19	\$890.16

#### 74701BDB-22

AWWA x -22 CTS



Part No.	Size	Carton PCS/WT	Price
5123-156	3/4"	15/30	\$161.69
5123-136	1"	10/28	\$228.24
5123-131	1 1/2"	4/27	\$537.58
5123-157	2"	2/15	\$890.18

#### 74701BDBQ

AWWA x Q CTS



Part No.	Size	Carton PCS/WT	Price
5123-166	3/4"	15/29	\$161.69
5121-490	1"	10/29	\$228.24
	1 1/2"	4/27	\$537.57
5123-168	2"	2/19	\$890.18

#### 73128BDB

AWWA x MNPT



Part No.	Size	Carton PCS/WT	Price
5123-167	2"	2/17	\$736.80

### MNPT INLETS

#### 74704BDB

MNPT x Flare



Part No.	Size	Carton PCS/WT	Price
	3/4"	15/30	\$161.68
	1"	10/28	\$228.23
	1 1/2"	4/27	\$537.57
	2"	2/15	\$890.16

#### 74704BDBG

MNPT x G CTS



Part No.	Size	Carton PCS/WT	Price
	3/4"	15/29	\$161.68
	1"	10/27	\$228.23
	1 1/2"	4/30	\$537.57
	2"	2/20	\$890.16

#### 74704BDBT

MNPT x T CTS



Part No.	Size	Carton PCS/WT	Price
	3/4"	15/29	\$161.68
	1"	10/27	\$228.23
	1 1/2"	4/30	\$537.57
5133-420	2"	2/22	\$890.18

#### 74704BDB-22

MNPT x -22 CTS



Part No.	Size	Carton PCS/WT	Price
	3/4"	15/29	\$161.68
5133-090	1"	10/27	\$228.24
5133-091	1 1/2"	4/30	\$537.58
5133-092	2"	2/20	\$890.18

#### 74704BDBQ

MNPT x Q CTS



Part No.	Size	Carton PCS/WT	Price
	3/4"	15/29	\$161.68
5146-364	1"	10/27	\$228.23
5183-170	1 1/2"	4/25	\$537.57
5183-238	2"	2/18	\$890.16



# Plug Style - AWWA Inlets

A.Y. McDonald Plug Style Corporation Stops come standard with a 360° operating head. The one piece body and plug are precision machined to assure a perfect match between the plug and the body to allow operating pressures of 100 PSI on 1/2", 3/4" and 1" valves and 80 PSI on 1 1/4", 1 1/2" and 2" valves. This same machining precision carries over to the threads to assure A.Y. McDonald's high quality and compatibility with direct taps and saddle applications.

## 74701 AWWA x Flare



Part No.	Size	Carton PCS/WT	Price
5110-115	1/2"	25/25	\$50.38
5111-119	5/8" x 3/4"	25/39	\$64.53
5112-128	3/4"	25/47	\$67.37
5112-130	3/4" x 1"	20/44	\$83.54
5113-127	1"	15/44	\$102.96
5114-124	1 1/4"	5/27	\$312.35
5115-125	1 1/2"	4/36	\$415.28
5115-143	1 1/2" x 2"	3/34	\$489.91
5116-124	2"	2/34	\$570.42

## 74701-22 AWWA x -22 CTS



Part No.	Size	Carton PCS/WT	Price
5110-098	1/2"	25/26	\$60.82
5130-119	5/8" x 3/4"	25/34	\$69.51
5140-107	3/4"	25/41	\$72.44
5141-143	3/4" x 1"	25/47	\$92.14
	3/4" x 1 1/4"	15/34	\$119.65
5141-130	1"	15/39	\$109.58
5142-038	1" x 1 1/4"	10/31	\$171.79
5141-146	1 1/4"	5/25	\$352.52
5141-159	1 1/2"	5/40	\$512.93
5141-172	2"	2/28	\$787.76

## 74701-22FT AWWA x -22 CTS with Flared Thread



Size	Carton PCS/WT	Price	
5133-460	1 1/2"	4/36	\$512.93
5133-442	2"	2/29	\$787.76

## 74701G AWWA x G CTS



Part No.	Size	Carton PCS/WT	Price
5192-331	5/8" x 3/4"	25/38	\$69.51
5192-032	3/4"	25/45	\$72.44
	3/4" x 1"	25/47	\$92.14
	3/4" x 1 1/4"	15/34	\$119.65
5192-043	1"	5/26	\$109.58
5192-247	1 1/4"	5/26	\$352.52
5192-013	1 1/2"	4/36	\$512.93
5192-017	2"	2/28	\$787.76

## 74701GFT AWWA x G CTS with Flared Thread



Part No.	Size	Carton PCS/WT	Price
5192-113	1 1/2"	4/36	\$512.93
5192-114	2"	2/29	\$787.76

## 74701Q AWWA x Q CTS



Part No.	Size	Carton PCS/WT	Price
5183-462	5/8" x 3/4"	25/36	\$69.51
5182-026	3/4"	15/26	\$72.44
5182-189	3/4" x 1"	15/30	\$92.14
5183-343	3/4" x 1 1/4"	10/22	\$119.66
5182-074	1"	10/27	\$109.58
5182-115	1 1/4"	5/25	\$352.52
5182-170	1 1/2"	5/39	\$512.93
5182-165	2"	2/27	\$787.76

## 74701T AWWA x T CTS



Part No.	Size	Carton PCS/WT	Price
5130-118	5/8" x 3/4"	25/37	\$69.51
5130-104	3/4"	25/43	\$72.44
5131-168	3/4" x 1"	25/47	\$92.14
	3/4" x 1 1/4"	15/33	\$119.65
5130-105	1"	15/34	\$109.58
	1" x 1 1/4"	15/41	\$171.79
5130-171	1 1/4"	15/36	\$352.52
5130-172	1 1/2"	5/25	\$512.93
5130-173	2"	5/38	\$787.76

## 74701TFT AWWA x T CTS with Flared Thread



Part No.	Size	Carton PCS/WT	Price
5133-446	1 1/2"	4/34	\$512.93
5133-430	2"	2/29	\$787.76

## 74701-33 AWWA x -33 PEP-7



Part No.	Size	Carton PCS/WT	Price
5142-112	3/4"	25/48	\$89.90
5112-181	3/4" x 1"	15/36	\$119.66
5142-114	1"	10/30	\$151.38

## 74701-34 AWWA x -34 PEP-9



Part No.	Size	Carton PCS/WT	Price
5123-185	3/4"	25/48	\$89.90
	3/4" x 1"	15/36	\$119.65
5123-206	1"	10/30	\$151.38

## 74701-3G AWWA x -3G PEP-7



Size	Carton PCS/WT	Price	
5192-202	3/4"	25/52	\$89.90
5192-203	1"	10/32	\$151.38

## 74701-3Q AWWA x -3Q PEP-7



Part No.	Size	Carton PCS/WT	Price
5182-253	3/4"	25/51	\$89.90
5183-344	3/4" x 1"	15/36	\$119.65
5182-295	1"	10/32	\$151.38

## 74701-44 AWWA x- 44 PVC



Part No.	Size	Carton PCS/WT	Price
5142-162	3/4"	25/48	\$89.90
5112-180	3/4" x 1"	15/35	\$119.66
5142-163	1"	10/30	\$151.38



## Plug Style - MNPT Inlets

A.Y. McDonald Plug Style Corporation Stops come standard with a 360° operating head. The one piece body and plug are precision machined to assure a perfect match between the plug and the body to allow operating pressures of 100 PSI on 1/2", 3/4" and 1" valves and 80 PSI on 1 1/4", 1 1/2" and 2" valves. This same machining precision carries over to the threads to assure A.Y. McDonald's high quality and compatibility with direct taps and saddle applications.

### 74704 MNPT x Flare



Part No.	Size	Carton PCS/WT	Price
5110-123	1/2"	25/26	\$50.38
5112-138	3/4"	25/44	\$67.37
5112-163	3/4" x 1"	25/48	\$83.54
5113-135	1"	15/42	\$102.96
5114-132	1 1/4"	5/28	\$312.35
5115-133	1 1/2"	4/35	\$415.28
5116-132	2"	2/32	\$570.42

### 74704-22 MNPT x -22 CTS



Part No.	Size	Carton PCS/WT	Price
5110-097	1/2"	25/25	\$60.82
5140-109	3/4"	25/40	\$72.44
5130-178	3/4" x 1"	25/45	\$92.14
5141-132	1"	15/37	\$109.58
	1" x 1 1/4"	10/31	\$171.79
5141-147	1 1/4"	5/24	\$352.52
5141-160	1 1/2"	5/39	\$512.93
5141-173	2"	2/27	\$787.76

### 74704-22FT MNPT x -22 CTS with Flared Thread



Part No.	Size	Carton PCS/WT	Price
5133-461	1 1/2"	4/34	\$512.93
5133-443	2"	2/28	\$787.76

### 74704G MNPT x G CTS



Part No.	Size	Carton PCS/WT	Price
5192-033	3/4"	25/43	\$72.44
5192-207	3/4" x 1"	25/50	\$92.14
5192-044	1"	15/41	\$109.58
	1 1/4"	5/24	\$352.52
5192-014	1 1/2"	5/39	\$512.93
5192-018	2"	2/27	\$787.76

### 74704GFT MNPT x G CTS with Flared Thread



Part No.	Size	Carton PCS/WT	Price
5192-118	1 1/2"	4/35	\$512.93
5192-119	2"	2/29	\$787.76

### 74704Q MNPT x Q CTS



Part No.	Size	Carton PCS/WT	Price
5182-027	3/4"	25/40	\$72.44
5183-092	3/4" x 1"	25/48	\$92.14
5183-341	3/4" x 1 1/4"	15/34	\$119.65
5182-075	1"	15/40	\$109.58
5182-114	1 1/4"	5/26	\$352.52
5182-171	1 1/2"	5/38	\$512.93
5182-166	2"	2/26	\$787.76

### 74704T MNPT x T CTS



Part No.	Size	Carton PCS/WT	Price
5130-108	3/4"	25/41	\$72.44
5130-112	3/4" x 1"	25/47	\$92.14
5130-109	1"	15/39	\$109.58
	1" x 1 1/4"	10/31	\$171.79
5130-174	1 1/4"	5/24	\$352.52
5130-175	1 1/2"	5/36	\$512.93
5130-176	2"	2/26	\$787.76

### 74704TFT MNPT x T CTS with Flared Thread



Part No.	Size	Carton PCS/WT	Price
5133-447	1 1/2"	4/33	\$512.93
5133-431	2"	2/26	\$787.76

### OPTIONS

Pito Tube Corp (PITO) - 74701PITO, 74704PITO 3/4", 1" and 74701PITO-44, 74704PITO-44 1" do not meet AWWA C800 envelope requirements. Will not fit in tapping machines.

Contact factory for ordering Pito Tube Corporations.



### 74704-33 MNPT x -33 PEP-7



Part No.	Size	Carton PCS/WT	Price
5142-116	3/4"	25/47	\$89.90
5112-179	3/4" x 1"	15/34	\$119.66
5142-118	1"	10/30	\$151.38

### 74704-34 MNPT x -34 PEP-9



Part No.	Size	Carton PCS/WT	Price
	3/4"	25/48	\$83.62
	3/4" x 1"	15/34	\$111.31
5123-214	1"	10/30	\$140.82

### 74704-3G MNPT x -3G PEP-7



Part No.	Size	Carton PCS/WT	Price
5192-169	3/4"	25/52	\$89.90
5192-170	1"	10/31	\$151.38

### 74704-3Q MNPT x -3Q PEP-7



Part No.	Size	Carton PCS/WT	Price
5182-254	3/4"	25/49	\$89.90
5183-342	3/4" x 1"	15/34	\$119.65
5182-296	1"	10/31	\$151.38

### 74704-44 MNPT x -44 PVC



Part No.	Size	Carton PCS/WT	Price
5142-166	3/4"	25/47	\$89.90
5112-178	3/4" x 1"	15/34	\$119.66
5142-167	1"	10/30	\$151.38



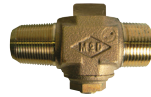
# Plug Style - Threaded Outlets

A.Y. McDonald Plug Style Corporation Stops come standard with a 360° operating head. The one piece body and plug are precision machined to assure a perfect match between the plug and the body to allow operating pressures of 100 PSI on 1/2", 3/4" and 1" valves and 80 PSI on 1 1/4", 1 1/2" and 2" valves. This same machining precision carries over to the threads to assure A.Y. McDonald's high quality and compatibility with direct taps and saddle applications.

## AWWA INLETS

### 73121

AWWA x Increase MNPT Thread



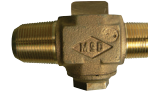
Part No.	Inlet	Outlet	Carton PCS/WT	Price
5110-100	1/2"	3/4"	25/21	\$50.38
5111-100	5/8"	3/4"	25/29	\$58.78
5112-100	3/4"	1"	25/38	\$63.66
5113-100	1"	1 1/4"	15/35	\$96.19
5114-100	1 1/4"	1 1/2"	5/23	\$252.35
5115-100	1 1/2"	2"	5/38	\$358.86
5116-100	2"	2 1/2"	2/25	\$518.37

NOTE: 73121 outlet has internal drive thread



### 73128

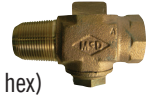
AWWA x MNPT



Part No.	Size	Carton PCS/WT	Price
5112-164	3/4"	25/35	\$63.66
5113-153	1"	20/44	\$96.19
5114-148	1 1/4"	8/33	\$263.17

### 73148

AWWA x FNPT (with wrench hex)



Part No.	Size	Carton PCS/WT	Price
5112-148	3/4"	25/36	\$74.19
5113-145	1"	20/47	\$107.91

### 73120

AWWA x Special Purpose Thread



Part No.	Size	Carton PCS/WT	Price
5111-107	5/8"	25/29	\$85.37
5112-107	3/4"	25/38	\$63.66
5113-107	1"	15/35	\$94.43

NOTE: 73120 outlet has internal drive thread



## MNPT INLETS

### 73122

MNPT x Increase MNPT Thread



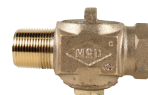
Part No.	Inlet	Outlet	Carton PCS/WT	Price
5132-346	1/2"	3/4"	25/21	\$50.38
5112-150	3/4"	1"	25/36	\$63.66
5113-147	1"	1 1/4"	15/33	\$96.19

NOTE: 73122 outlet has internal drive thread



### 73149

MNPT x FNPT (with wrench hex)



Part No.	Size	Carton PCS/WT	Price
5112-149	3/4"	25/36	\$74.19
5113-146	1"	15/33	\$107.91

### 73131

MNPT x MNPT



Part No.	Size	Carton PCS/WT	Price
5110-096	1/2"	25/19	\$49.10
5112-146	3/4"	25/34	\$63.66
5113-143	1"	15/33	\$96.19
5114-137	1 1/4"	5/21	\$285.17
5115-138	1 1/2"	5/33	\$334.97
5116-138	2"	2/23	\$511.02



## 74000 & 74746S

FOR USE WITH 73121, 73121B, 73122, 73122B

### 74000

Increasing Straight Thread  
w/ Gasket Swivel x MNPT



Part No.	Size	Carton PCS/WT	Price
5123-100	3/4"	40/24	\$57.69
5123-101	1"	25/22	\$69.09
5123-102	1 1/2"	4/10	\$130.95
5123-103	2"	4/13	\$193.86

### 74746S

Increasing Straight Thread  
w/ Gasket Swivel x Flare



Part No.	Size	Carton PCS/WT	Price
5122-020	2"	4/31	\$451.45

## Straight Couplings used with 73120 & 73120B Corp Stops

Straight couplings with inlet end connection threads fitting Special Purpose Thread Outlet Corporation stops utilizing a fiber gasket for a seal. Couplings allow connection from Special Purpose Thread to Flare, FNPT, MNPT or CTS Compression.

### 74742F

Female Special Purpose x FNPT



Part No.	Size	Carton PCS/WT	Price
5123-060	1/2" x 3/4"	50/24	\$24.38
5120-072	5/8" x 3/4"	40/14	\$33.67
5119-168	5/8" x 1"	40/24	\$34.72
5120-077	3/4"	40/16	\$31.29
5123-052	3/4" x 1"	25/13	\$27.35
5122-039	1"	20/12	\$53.83

### 74742-22

Female Special Purpose x -22 CTS



Part No.	Size	Carton PCS/WT	Price
5119-157	1/2" x 3/4"	50/29	\$42.27
5120-070	5/8" x 3/4"	40/21	\$46.55
5120-079	3/4"	40/24	\$45.75
	3/4" x 1"	25/24	\$57.52
5121-464	1"	20/17	\$61.33

### 74742T

Female Special Purpose x T CTS



Part No.	Size	Carton PCS/WT	Price
5119-169	1/2" x 3/4"	50/30	\$42.26
5120-069	5/8" x 3/4"	40/22	\$46.55
5120-078	3/4"	40/25	\$45.75
5127-435	3/4" x 1"	25/23	\$57.52
5121-465	1"	20/18	\$61.33

### 74742P

Female Special Purpose x MNPT



Part No.	Size	Carton PCS/WT	Price
5123-061	1/2" x 3/4"	50/24	\$24.02
5123-053	3/4" x 1"	25/9	\$26.97

### 74742G

Female Special Purpose x G CTS



Part No.	Size	Carton PCS/WT	Price
	1/2" x 3/4"	50/30	\$42.26
5120-495	5/8" x 3/4"	40/26	\$46.55
5120-494	3/4"	40/29	\$45.75
5192-448	3/4" x 1"	25/26	\$57.53
5192-156	1"	20/21	\$61.33

### 74742-3Q

Female Special Purpose x 3Q PEP-7



Part No.	Size	Carton PCS/WT	Price
5119-167	5/8" x 3/4"	40/26	\$59.53

### 74742

Female Special Purpose x Flare



Part No.	Size	Carton PCS/WT	Price
5123-059	1/2" x 3/4"	50/36	\$35.83
5120-127	5/8" x 3/4"	40/28	\$41.06
5119-165	5/8" x 1"	40/30	\$55.81
5120-128	3/4"	40/28	\$38.65
5123-051	3/4" x 1"	25/27	\$53.44
5121-126	1"	20/24	\$66.01

### 74742Q

Female Special Purpose x Q CTS



Part No.	Size	Carton PCS/WT	Price
5123-062	1/2" x 3/4"	50/30	\$42.27
5120-071	5/8" x 3/4"	40/23	\$46.55
5119-166	5/8" x 1"	40/26	\$60.77
5120-080	3/4"	40/25	\$45.75
5123-054	3/4" X 1"	25/24	\$57.53
5182-477	1"	20/19	\$61.33

### 74742CAP

Special Purpose Thread Corp Cap



Part No.	Size	Carton PCS/WT	Price
5123-055	3/4"	25/7	\$53.10
5123-056	1"	25/16	\$85.87





# Adapters

73120 & 73120B ADAPTER						
Straight Connection	1/2x3/4	5/8x3/4	5/8x1	3/4	3/4x1	1
74742F - FNPT	X	X		X	X	X
74742P - MNPT	X				X	
74742 - FLARE	X	X		X	X	X
74742-22, G, Q, & T - CTS	X	X		X	X	X
<b>CAP</b>	<b>1/2x3/4</b>	<b>5/8x3/4</b>	<b>5/8x1</b>	<b>3/4</b>	<b>3/4x1</b>	<b>1</b>
74742CAP				X		X
<b>Fixed Nut Eighth Bend</b>	<b>1/2x3/4</b>	<b>5/8x3/4</b>	<b>5/8x1</b>	<b>3/4</b>	<b>3/4x1</b>	<b>1</b>
74749F - FNPT		X		X		X
74749 - FLARE	X	X	X	X	X	X
74749-22, G, Q & T - CTS	X	X	X	X	X	X
<b>Swivel Nut Eight Bend</b>	<b>1/2x3/4</b>	<b>5/8x3/4</b>	<b>5/8x1</b>	<b>3/4</b>	<b>3/4x1</b>	<b>1</b>
74749SF - FNPT		X		X	X	X
74749SP - MNPT		X		X		X
74749S - FLARE		X		X	X	X
74749S-22, G, Q & T		X		X	X	X
<b>Fixed Nut Quarter Bend</b>	<b>1/2x3/4</b>	<b>5/8x3/4</b>	<b>5/8x1</b>	<b>3/4</b>	<b>3/4x1</b>	<b>1</b>
74777F - FNPT		X		X		X
74777 - FLARE		X		X		X
74777-22 & T - CTS		X		X		X
74777G & Q CTS				X		X
<b>Swivel Nut Quarter Bend</b>	<b>1/2x3/4</b>	<b>5/8x3/4</b>	<b>5/8x1</b>	<b>3/4</b>	<b>3/4x1</b>	<b>1</b>
74777SF - FNPT		X		X		X
74777SP - MNPT		X		X		X
74777S - FLARE		X		X		X
74777S-22, G, Q & T - CTS		X		X	X	X
74777S-3Q - PEP				X		

73120 & 73120B ADAPTER					
Straight Connection	1/2x3/4	5/8x3/4	3/4	1	
74742LFF - FNPT	X	X	X	X	
74242LFP - MNPT	X	X	X	X	
74742LF - FLARE	X	X	X	X	
74742LF-22, G, Q & T - CTS	X	X	X	X	
<b>CAP</b>	<b>1/2x3/4</b>	<b>5/8x3/4</b>	<b>3/4</b>	<b>1</b>	
74742LFCAP		X	X	X	



## 1/8 Bend Couplings used with 73120 & 73120B Corp Stops

### FIXED FEMALE SPECIAL PURPOSE

Eighth bend couplings with fixed inlet end connection threads fitting Special Purpose Thread Outlet Corporation stops utilizing a fiber gasket for a seal. Couplings allow connection from Special Purpose Thread to Flare, FNPT or CTS Compression.

#### 74749F

Female Special Purpose x FNPT



Part No.	Size	Carton PCS/WT	Price
5120-076	5/8" x 3/4"	40/19	\$35.99
5120-085	3/4"	20/10	\$33.70
5120-088	1"	20/17	\$64.92

#### 74749-22

Female Special Purpose x -22 CTS



Part No.	Size	Carton PCS/WT	Price
5120-052	1/2" x 3/4"	20/15	\$85.70
5121-092	5/8" x 3/4"	40/27	\$47.35
5120-045	5/8" x 1"	20/25	\$94.44
5120-030	3/4"	20/14	\$44.84
5120-048	3/4" x 1"	20/24	\$61.92
5121-091	1"	20/22	\$76.06

#### 74749Q

Female Special Purpose x Q CTS



Part No.	Size	Carton PCS/WT	Price
5120-054	1/2" x 3/4"	20/16	\$85.70
5182-285	5/8" x 3/4"	40/28	\$47.35
5120-047	5/8" x 1"	20/28	\$94.44
5120-086	3/4"	20/15	\$44.84
5120-050	3/4" x 1"	20/27	\$61.92
5182-286	1"	20/24	\$76.06

#### 74749

Female Special Purpose x Flare



Part No.	Size	Carton PCS/WT	Price
5120-051	1/2" x 3/4"	20/17	\$77.16
5120-134	5/8" x 3/4"	40/32	\$43.38
5120-044	5/8" x 1"	20/31	\$85.03
5120-135	3/4"	20/16	\$41.14
5120-019	3/4" x 1"	20/29	\$55.75
5121-134	1"	20/27	\$77.12

#### 74749G

Female Special Purpose x G CTS



Part No.	Size	Carton PCS/WT	Price
5192-278	1/2" x 3/4"	20/17	\$85.70
5192-205	5/8" x 3/4"	40/32	\$47.35
	5/8" x 1"	20/25	\$94.43
5192-286	3/4"	20/16	\$44.84
	3/4" x 1"	20/24	\$61.92
5192-287	1"	20/26	\$76.06

#### 74749T

Female Special Purpose x T CTS



Part No.	Size	Carton PCS/WT	Price
5120-053	1/2" x 3/4"	20/15	\$85.70
5131-287	5/8" x 3/4"	40/29	\$47.35
5120-046	5/8" x 1"	20/23	\$94.44
5120-031	3/4"	20/15	\$44.84
5120-049	3/4" x 1"	20/22	\$61.92
5131-300	1"	20/23	\$76.06

### SWIVEL FEMALE SPECIAL PURPOSE

Eighth bend couplings with swivel inlet end connection threads fitting Special Purpose Thread Outlet Corporation stops utilizing a fiber gasket for a seal. Couplings allow connection from Special Purpose Thread to Flare, FNPT, MNPT or CTS Compression.

#### 74749SF

Female Special Purpose Swivel x FNPT



Part No.	Size	Carton PCS/WT	Price
5123-033	5/8" x 3/4"	25/16	\$62.51
5122-117	3/4"	20/28	\$73.91
5183-448	3/4" x 1"	20/27	\$56.07
5123-019	1"	20/19	\$65.00

#### 74749S-22

Female Special Purpose Swivel x -22 CTS



Part No.	Size	Carton PCS/WT	Price
5123-175	5/8" x 3/4"	25/16	\$80.32
5122-111	3/4"	20/18	\$51.03
5117-166	1"	20/27	\$76.06

#### 74749SQ

Female Special Purpose Swivel x Q CTS



Part No.	Size	Carton PCS/WT	Price
5123-037	5/8" x 3/4"	25/21	\$80.32
5122-110	3/4"	20/19	\$51.03
5183-440	3/4" x 1"	20/26	\$62.29
5123-023	1"	20/27	\$76.06

#### 74749SP

Female Special Purpose Swivel x MNPT



Part No.	Size	Carton PCS/WT	Price
5123-035	5/8" x 3/4"	25/12	\$62.13
5122-118	3/4"	20/13	\$65.98
5123-021	1"	20/24	\$64.64

#### 74749SG

Female Special Purpose Swivel x G CTS



Part No.	Size	Carton PCS/WT	Price
5192-433	5/8" x 3/4"	25/23	\$80.32
5122-113	3/4"	20/21	\$51.03
5192-487	1"	20/27	\$76.06

#### 74749ST

Female Special Purpose Swivel x T CTS



Part No.	Size	Carton PCS/WT	Price
	5/8" x 3/4"	20/17	\$80.30
5122-112	3/4"	20/19	\$51.03
	1"	20/27	\$76.06

#### 74749S

Female Special Purpose Swivel x Flare



Part No.	Size	Carton PCS/WT	Price
5123-031	5/8" x 3/4"	25/22	\$64.58
5122-109	3/4"	20/21	\$61.22
5122-200	3/4" x 1"	20/24	\$72.14
5123-017	1"	20/29	\$82.99

#### 74749S-3Q

Female Special Purpose Swivel x Q PEP-7



Part No.	Size	Carton PCS/WT	Price
5183-441	3/4"	20/25	\$62.29



# 1/4 Bend Couplings used with 73120 & 73120B Corp Stops

## FIXED FEMALE SPECIAL PURPOSE

Quarter bend couplings with fixed inlet end connection threads fitting Special Purpose Thread Outlet Corporation stops utilizing a fiber gasket for a seal. Couplings allow connection from Special Purpose Thread to Flare, FNPT or CTS Compression.

### 74777F

Female Special Purpose x FNPT



Part No.	Size	Carton PCS/WT	Price
5120-075	5/8" x 3/4"	40/21	\$38.88
5120-081	3/4"	20/12	\$36.96
5120-087	1"	20/23	\$61.99

### 74777-22

Female Special Purpose x -22 CTS



Part No.	Size	Carton PCS/WT	Price
5120-074	5/8" x 3/4"	40/29	\$52.86
5120-083	3/4"	20/16	\$51.24
5123-112	1"	20/27	\$80.77

### 74777Q

Female Special Purpose x Q CTS



Part No.	Size	Carton PCS/WT	Price
5120-084	3/4"	20/18	\$51.24
5123-110	1"	20/29	\$80.77

### 74777

Female Special Purpose x Flare



Part No.	Size	Carton PCS/WT	Price
5120-149	5/8" x 3/4"	40/36	\$46.26
5120-150	3/4"	20/19	\$44.32
5121-155	1"	20/33	\$74.18

### 74777G

Female Special Purpose x G CTS



Part No.	Size	Carton PCS/WT	Price
	3/4"	20/16	\$51.24
	1"	20/27	\$80.76

### 74777T

Female Special Purpose x T CTS



Part No.	Size	Carton PCS/WT	Price
5120-073	5/8" x 3/4"	40/31	\$52.86
5120-082	3/4"	20/17	\$51.24
5123-111	1"	20/28	\$80.77

## SWIVEL FEMALE SPECIAL PURPOSE

Quarter bend couplings with swivel inlet end connection threads fitting Special Purpose Thread Outlet Corporation stops utilizing a fiber gasket for a seal. Couplings allow connection from Special Purpose Thread to Flare, FNPT, MNPT, PEP Compression or CTS Compression.

### 74777SF

Female Special Purpose Swivel x FNPT



Part No.	Size	Carton PCS/WT	Price
5123-043	5/8" x 3/4"	25/19	\$53.68
5122-041	3/4"	20/18	\$47.84
5123-046	1"	20/24	\$66.47

### 74777S-22

Female Special Purpose Swivel x -22 CTS



Part No.	Size	Carton PCS/WT	Price
5142-459	5/8" x 3/4"	25/23	\$52.91
5121-456	3/4"	20/20	\$51.03
5117-189	3/4" x 1"	25/34	\$62.27
5122-128	1"	20/29	\$73.52

### 74777SQ

Female Special Purpose Swivel x Q CTS



Part No.	Size	Carton PCS/WT	Price
5123-045	5/8" x 3/4"	25/25	\$52.91
5121-454	3/4"	20/21	\$51.03
5134-072	3/4" x 1"	25/34	\$62.27
5122-126	1"	20/31	\$73.52

### 74777SP

Female Special Purpose Swivel x MNPT



Part No.	Size	Carton PCS/WT	Price
5123-044	5/8" x 3/4"	25/17	\$53.32
5120-499	3/4"	20/14	\$60.95
5122-133	1"	20/20	\$76.48

### 74777SG

Female Special Purpose Swivel x G CTS



Part No.	Size	Carton PCS/WT	Price
5192-499	5/8" x 3/4"	25/25	\$52.91
5192-108	3/4"	20/22	\$51.03
	3/4" x 1"	25/34	\$62.27
5122-127	1"	20/28	\$73.52

### 74777ST

Female Special Purpose Swivel x T CTS



Part No.	Size	Carton PCS/WT	Price
5119-184	5/8" x 3/4"	25/25	\$52.91
5121-455	3/4"	20/21	\$51.03
5134-073	3/4" x 1"	25/30	\$62.27
5122-129	1"	20/30	\$73.52

### 74777S

Female Special Purpose Swivel x Flare



Part No.	Size	Carton PCS/WT	Price
5123-042	5/8" x 3/4"	25/27	\$55.22
5121-453	3/4"	20/21	\$52.91
5122-125	1"	20/33	\$72.26

### 74777S-3Q

Female Special Purpose Swivel x -3Q PEP-7



Part No.	Size	Carton PCS/WT	Price
5134-074	3/4"	25/34	\$62.27



## Parts & Accessories

### Fittings for Extra Strong Lead Pipe Flanged Corporations

Straight adapter with inlet end connection threads fitting Extra Strong Lead Pipe Flanged Thread Outlet Corporation stops utilizing a fiber gasket for a seal. Adapters allow connection from Extra Strong Lead Pipe Flanged Thread to Flare, FNPT, MNPT or CTS Compression.

#### 74742LFF

Adapter Female XS x FNPT



Part No.	Size	Carton PCS/WT	Price
5123-048	1/2" x 3/4"	20/19	\$51.09
5123-028	5/8" x 3/4"	20/13	\$34.05
5123-026	3/4"	20/13	\$47.00
5123-024	1"	25/22	\$91.29

#### 74742LF-22

Adapter Female XS x -22 CTS



Part No.	Size	Carton PCS/WT	Price
5119-151	1/2" x 3/4"	20/20	\$72.13
5121-438	5/8" x 3/4"	20/18	\$75.92
5121-441	3/4"	20/18	\$81.26
5121-029	1"	25/26	\$116.12

#### 74742LFT

Adapter Female XS x T CTS



Part No.	Size	Carton PCS/WT	Price
	1/2" x 3/4"	20/20	\$72.12
5121-440	5/8" x 3/4"	20/20	\$75.92
5121-443	3/4"	20/17	\$81.26
5121-030	1"	25/28	\$116.12

#### 74742LFP

Adapter Female XS x MNPT



Part No.	Size	Carton PCS/WT	Price
5123-049	1/2" x 3/4"	20/13	\$50.60
5123-029	5/8" x 3/4"	20/15	\$33.68
5123-027	3/4"	20/11	\$46.63
5123-025	1"	25/15	\$90.92

#### 74742LFG

Adapter Female XS x G CTS



Part No.	Size	Carton PCS/WT	Price
	1/2" x 3/4"	20/20	\$72.12
5192-486	5/8" x 3/4"	20/18	\$75.92
5192-383	3/4"	20/18	\$81.26
5192-430	1"	25/31	\$116.12

#### 74742LFCAP

CAP XS LF Corp



Part No.	Size	Carton PCS/WT	Price
5123-172	5/8"	25/16	\$50.05
5123-173	3/4"	25/14	\$63.00
5123-174	1"	25/17	\$116.84

#### 74742LF

Adapter Female XS x Flare



Part No.	Size	Carton PCS/WT	Price
5123-047	1/2" x 3/4"	20/22	\$62.74
5120-028	5/8" x 3/4"	20/22	\$69.71
5120-130	3/4"	20/19	\$75.13
5121-128	1"	25/33	\$107.52

#### 74742LFQ

Adapter Female XS x Q CTS



Part No.	Size	Carton PCS/WT	Price
5123-050	1/2" x 3/4"	20/21	\$72.13
5121-439	5/8" x 3/4"	20/19	\$75.92
5121-442	3/4"	20/18	\$81.26
5121-444	1"	25/29	\$116.12

### AWWA Corp Thread Fittings

AWWA / CC male inlet thread straight connection for insertion into saddle or directly into water main. Fittings allow connection from female AWWA / CC thread to Flare or CTS Compression.

#### 74751

AWWA x Flare



Part No.	Size	Carton PCS/WT	Price
5132-341	3/4"	25/24	\$37.15
5132-333	1"	20/31	\$68.51

#### 74751G

AWWA x G CTS



Part No.	Size	Carton PCS/WT	Price
	3/4"	25/20	\$43.30
5192-482	1"	20/24	\$71.33

#### 74751T

AWWA x T CTS



Part No.	Size	Carton PCS/WT	Price
5132-342	3/4"	25/20	\$43.30
5132-332	1"	20/25	\$71.33

#### 74751-22

AWWA x-22 CTS



Part No.	Size	Carton PCS/WT	Price
5132-340	3/4"	25/20	\$43.30
5132-331	1"	20/24	\$71.33

#### 74751Q

AWWA x Q CTS



Part No.	Size	Carton PCS/WT	Price
5182-324	3/4"	25/21	\$43.30
5182-319	1"	20/27	\$71.33



# Parts & Accessories

## Replacement Nut and Gasket Assemblies for

Flare, Flare Anode, McGrip CTS, CTS-16, CTS FT and PEP, MacPak CTS, CTS -16, CTS FT, PEP, PEP Anode, PVC and IP, McQuik CTS, CTS Anode, CTS-16, PEP and PEP Anode, "T" Series CTS

### 4700

Flare



Part No.	Size	Carton PCS/WT	Price
4119-217	1/2"	50/8	\$5.00
4116-146	3/4"	50/17	\$8.21
4116-147	1"	50/28	\$13.60
4121-229	1 1/4"	25/22	\$21.83
4122-221	1 1/2"	20/27	\$37.95
4116-212	2"	16/37	\$70.76

### 4700-22

-22 CTS



Part No.	Size	Carton PCS/WT	Price
4141-003	1/2"	50/11	\$8.87
4141-184	3/4"	50/13	\$9.77
4141-185	1"	50/15	\$14.99
4141-186	1 1/4"	25/13	\$26.79
4141-407	2 1/2"	5/9	\$75.97

### 4700-33A

PEP-7 PAK Nut with Anode



Part No.	Size	Carton PCS/WT	Price
4123-068	1 1/4"	20/24	\$55.55
4123-067	2"	20/31	\$70.37

### 4700Q-16

Q CTS



Part No.	Size	Carton PCS/WT	Price
4182-325	1 1/2"	25/14	\$39.18
4182-326	2"	25/25	\$54.19

### 4700A

Flare Nut with Anode



Part No.	Size	Carton PCS/WT	Price
4116-000	3/4"	50/22	\$21.56
4116-001	1"	50/35	\$26.94

### 4700-22-16

-22 CTS



Part No.	Size	Carton PCS/WT	Price
4141-363	1 1/2"	25/22	\$31.60
4141-364	2"	25/33	\$44.45

### 4700-3G

-3G PEP-7



Part No.	Size	Carton PCS/WT	Price
4192-087	3/4"	50/26	\$18.16
4192-097	1"	25/19	\$28.92

### 4700T

T CTS



Part No.	Size	Carton PCS/WT	Price
4141-189	3/4"	50/14	\$12.57
4141-190	1"	50/21	\$20.59
4141-191	1 1/4"	25/19	\$28.91

### 4700G

G CTS



Part No.	Size	Carton PCS/WT	Price
4192-021	3/4"	50/20	\$12.64
4192-001	1"	50/27	\$20.64
4192-093	1 1/4"	25/20	\$28.92

### 4700-22FT

-22 CTS with Flare Thread



Part No.	Size	Carton PCS/WT	Price
4133-462	1 1/2"	20/24	\$47.08
4133-444	2"	20/32	\$59.75

### 4700Q

Q CTS



Part No.	Size	Carton PCS/WT	Price
4182-155	3/4"	50/14	\$14.99
4182-156	1"	50/23	\$18.39
4182-157	1 1/4"	25/14	\$30.08

### 4700TA

T CTS Anode Nut



Part No.	Size	Carton PCS/WT	Price
4130-048	3/4"	50/16	\$25.89
4130-049	1"	25/13	\$33.92

### 4700G-16

G CTS



Part No.	Size	Carton PCS/WT	Price
4192-238	1 1/2"	25/22	\$36.97
4192-239	2"	25/29	\$51.12

### 4700-33

-33 PEP-7



Part No.	Size	Carton PCS/WT	Price
4143-128	3/4"	50/18	\$16.31
4143-129	1"	25/13	\$26.79
4131-016	1 1/4"	20/22	\$42.26
4131-041	2"	20/31	\$57.11

### 4700QA-16

CTS with Anode Nut



Part No.	Size	Carton PCS/WT	Price
4182-415	1 1/2"	25/17	\$52.49
4182-417	2"	20/18	\$67.49

### 4700T-16

T CTS



Part No.	Size	Carton PCS/WT	Price
4141-192	1 1/2"	20/9	\$50.30
4141-193	2"	20/14	\$60.94

### 4700GFT

G CTS with Flare Thread



Part No.	Size	Carton PCS/WT	Price
4192-341	1 1/2"	25/27	\$50.34
4192-342	2"	25/35	\$60.94

### 4700-34

-34 PEP-9



Part No.	Size	Carton PCS/WT	Price
4123-081	3/4"	50/18	\$16.35
4123-085	1"	25/13	\$26.81
4125-024	1 1/4"	20/22	\$42.26
4125-041	2"	20/31	\$57.11
	1 1/2"		\$43.81

### 4700QA

CTS with Anode Nut



Part No.	Size	Carton PCS/WT	Price
4182-412	3/4"	50/18	\$28.30
4182-413	1"	25/14	\$31.72
4182-460	1 1/4"	25/15	\$42.25

### 4700TFT

T CTS with Flare Thread



Part No.	Size	Carton PCS/WT	Price
4133-451	1 1/2"	20/18	\$50.30
4133-432	2"	20/28	\$60.94

### 4700-11

Ranger Nut & Gasket Assembly



Part No.	Size	Carton PCS/WT	Price
4196-015	3/4"	25/14	\$27.33
4196-016	1"	30/25	\$43.93
4196-065	1 1/4"	12/17	\$52.61
4196-070	1 1/2"	12/20	\$77.49
4196-087	2"	4/19	\$114.36

### 4700-33FT

-33 PEP-7 PAK Nut



Part No.	Size	Carton PCS/WT	Price
4131-039	1 1/2"	20/33	\$59.93



## Parts & Accessories

### Replacement Nut and Gasket Assemblies for

McGrip CTS, CTS-16, CTS FT and PEP, MacPak CTS, CTS -16, CTS FT, PEP, PEP Anode, PVC and IP, McQuik CTS, CTS Anode, CTS-16, PEP and PEP Anode, "T" Series CTS

#### 4700-3Q

-3Q PEP-7



Part No.	Size	Carton PCS/WT	Price
4182-284	3/4"	50/23	\$22.80
4182-368	1"	50/28	\$30.08

#### 4700-3QA

-3Q PEP-7 with Anode



Part No.	Size	Carton PCS/WT	Price
4182-458	3/4"	25/14	\$31.44
4182-459	1"	25/16	\$42.25

#### 4700-44FT

-44 PVC



Part No.	Size	Carton PCS/WT	Price
4130-026	1 1/4"	20/24	\$52.65

#### 4700-44

-44 PVC



Part No.	Size	Carton PCS/WT	Price
4143-130	3/4"	50/18	\$16.31
4143-131	1"	25/13	\$26.77
4130-061	1 1/2"	20/20	\$44.88
4130-062	2"	20/30	\$56.30

### Gasket Assemblies

#### 4700-22RWGA

CTS MAC-PAK



Part No.	Size	Carton PCS/WT	Price
4141-048	1 1/2"	10/1	\$5.43
4130-088	2"	10/1	\$4.27

#### 4700TGA

CTS T Compression



Part No.	Size	Carton PCS/WT	Price
4130-066	3/4"	50/1	\$5.42
4130-067	1"	50/2	\$6.71
4130-099	1 1/4"	10/1	\$20.57
4130-097	1 1/2"	10/1	\$17.81
4131-061	2"	10/2	\$26.81

#### 4700-33GA

PEP-7 MAC-PAK



Part No.	Size	Carton PCS/WT	Price
4130-075	3/4"	50/1	\$4.23
4130-076	1"	25/1	\$4.11
4141-352	1 1/4"	10/1	\$9.67
4128-088	1 1/2"	10/1	\$9.48
4131-356	2"	10/2	\$5.90

#### 4700-22GA

CTS MAC-PAK



Part No.	Size	Carton PCS/WT	Price
4130-091	1/2"	50/1	\$1.76
4130-068	3/4"	50/1	\$1.16
4130-069	1"	50/1	\$1.47
4130-092	1 1/4"	50/2	\$4.11
4141-049	1 1/2"	10/1	\$6.23
4130-087	2"	10/1	\$9.48

#### 4700GGA

CTS G Compression



Part No.	Size	Carton PCS/WT	Price
4192-188	3/4"	25/1	\$4.22
4192-189	1"	25/2	\$5.30
4192-190	1 1/4"	10/1	\$9.09
4192-191	1 1/2"	10/1	\$13.96
4192-192	2"	10/2	\$20.91

#### 4700-44GA

PVC MACK-PAK



Part No.	Size	Carton PCS/WT	Price
4140-008	3/4"	50/1	\$4.23
4130-130	1"	50/2	\$4.11
4141-052	1 1/4"	10/1	\$9.42
4141-051	1 1/2"	10/1	\$4.08
4141-050	2"	10/1	\$8.52

#### 4700QGA

CTS McQuick



Part No.	Size	1 Carton PCS/WT	Price
4182-160	3/4"	50/1	\$5.82
4182-161	1"	50/2	\$7.00
4182-162	1 1/4"	10/1	\$9.25
4182-163	1 1/2"	10/1	\$14.92
4182-164	2"	10/1	\$20.54

#### 4700-3GGA

PEP-7 McGRIP



Part No.	Size	Carton PCS/WT	Price
4192-193	3/4"	25/1	\$8.06
4192-194	1"	25/2	\$9.09

#### 4700-44RWGA

PVC MACK-PAK



Part No.	Size	Carton PCS/WT	Price
4141-053	1 1/4"	10/1	\$3.75

#### 4700TRWGA

CTS T Compression



Part No.	Size	Carton PCS/WT	Price
4131-245	1 1/2"	10/1	\$16.86
4131-057	2"	10/1	\$17.18

#### 4700-3QGA

PEP-7 McQUICK



Part No.	Size	Carton PCS/WT	Price
4141-335	3/4"	50/1	\$6.75
4182-440	1"	10/1	\$9.25





# Parts & Accessories

## Plugs

Plugs to replace corporation stops.

### 73206 Plug AWWA (Hollow Core)



Part No.	Size	Carton PCS/WT	Price
5126-100	1/2"	50/9	\$34.57
5126-101	5/8"	50/15	\$35.09
5126-102	3/4"	50/17	\$17.05
5126-103	1"	25/10	\$24.79
5126-104	1 1/4"	15/13	\$54.54
5126-105	1 1/2"	15/17	\$55.60
5126-106	2"	10/16	\$72.09

### 73208 Plug (Hollow Core) MNPT Corp Threads x Square Head



Part No.	Size	Carton PCS/WT	Price
5126-107	1/2"	50/25	\$15.92
5126-108	3/4"	50/11	\$16.00
5126-109	1"	25/7	\$25.55
5126-110	1 1/4"	15/12	\$54.54
5126-111	1 1/2"	15/12	\$58.88
5126-112	2"	10/11	\$72.09

### 732080 Plug - MNPT x Inside Driving Threads



Part No.	Size	Carton PCS/WT	Price
5131-391	3/4" x 5/8"	50/23	\$38.29
5131-392	1" x 5/8"	50/32	\$96.53

### 732060 Plug AWWA Thread with Inside Driving Thread



Part No.	Size	Carton PCS/WT	Price
5132-453	5/8" x 5/8"	50/23	\$92.94
5132-452	3/4" x 5/8"	50/26	\$84.08
5132-451	1" x 5/8"	50/35	\$100.34

### 74692 CTS x Flare Conversion Insert



Part No.	Size	Carton PCS/WT	Price
5121-093	3/4"	25/3	\$23.17
5121-094	1"	10/3	\$28.84
5121-483	1 1/4"	10/5	\$171.06

## Washers & Gaskets

Gaskets used with gasket sealed connections.

### 4742LFGSKT Fiber Washer - For 74742LF



Part No.	Size	Carton PCS/WT	Price
4123-099	1/2"	25/1	\$3.42
4121-065	5/8"	25/1	\$4.35
4121-066	3/4"	25/1	\$5.52
4121-067	1"	25/1	\$6.74

### 4749GSKT Fiber Washer - For 74742, 74749, 74777



Part No.	Size	Carton PCS/WT	Price
4120-055	1/2"	25/1	\$2.15
4121-073	5/8"	25/1	\$2.15
4121-074	*3/4"	25/1	\$2.28
4121-075	1"	25/1	\$2.69

\*For 3/4" 4000 also

### 6125F Fiber Shut-Off Gasket



Part No.	Size	Carton PCS/WT	Price
4125-073	3/4"	50/1	\$2.72
4125-071	1"	50/1	\$2.04

### 74705MAR Corp Tapping Machine Adatper Ring



Part No.	Size	Carton PCS/WT	Price
5125-062	1"	1/1	\$13.97
5125-061	1 1/4"	1/1	\$11.45

### 4000GSKT Fiber Gasket



Part No.	Size	Carton PCS/WT	Price
4121-077	1"	10/1	\$7.90
4121-076	1 1/4"	25/1	\$5.57
4116-154	1 1/2"	10/1	\$17.62
4116-153	2"	10/1	\$18.72

### 6125 Copper Flare Shut-Off Disc



Part No.	Size	Carton PCS/WT	Price
4131-184	3/4"	1/1	\$3.07
4131-185	1"	1/1	\$4.08
4131-186	1 1/4"	1/1	\$6.07
4131-187	1 1/2"	1/1	\$10.07
4131-188	2"	1/1	\$11.19

### 4749GCC Copper Clad Gasket



Part No.	Size	Carton PCS/WT	Price
4120-400	3/4"	25/1	\$9.89
4120-401	1"	25/1	\$15.93

### 74705Q Corp Tapping Machine Adapter



Part No.	Size	Carton PCS/WT	Price
5125-060	1"	1/1	\$82.14
5125-059	1 1/4"	1/1	\$60.40







**WITHOUT  
YOU  
THERE IS  
NO US.**



# **Service Saddles & Repair Clamps**

January 11, 2022 - Revised July 2024



## 3801 AWWA TAP / 3802 FNPT TAP

IPS PVC PIPE (SCHEDULE 40 OR 80), TWO BOLT ALL BRASS SADDLES

A.Y. McDonald Mfg. Co. Model 3801 / 3802 Brass Two Bolt Service Saddles are designed for use on Iron Pipe Size PVC pipe and provide full circle support without cracking or distorting the pipe. The pressure capabilities equal, but do not exceed, the working pressure rating of the pipe up to 200 PSIG.

### MATERIALS

#### Top and Bottom

85-5-5-5 cast brass per ASTM B62

#### Silicon Bronze Bolts (standard)

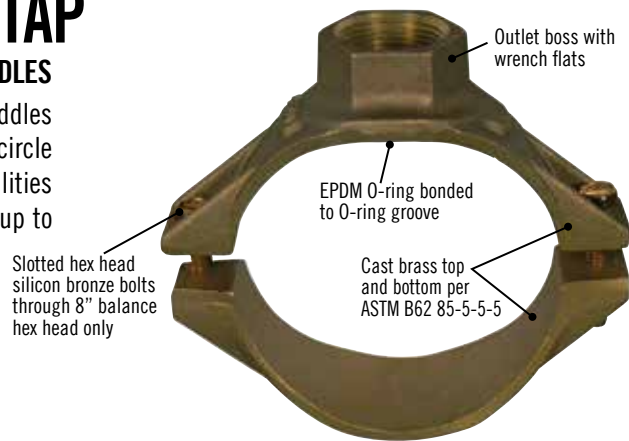
- 1/2" Slotted Hex Head  
5/16" - 18 UNC - 2A x 2" long (3100-906)  
fits on 2", 2 1/2", 3", 4", 6" & 8" diameter saddles with 3/4" and 1" Taps

- 5/8" Slotted Hex Head  
7/16" - 14 UNC - 2A x 2" long (3100-908)  
fits on 4", 6" & 8" diameter saddles with 1 1/2" and 2" Taps

- 3/4" Hex Head  
1/2" - 13 UNC - 2A x 3" long (3100-915)  
fits on 10" & 12" diameter saddles with 3/4" - 2" Taps

### NOTES

- Order Saddles by Model Number, Nominal Pipe Size and Tap Size (Example: 3801 8" x 1").
- All Saddles have Pipe O.D. identification.
- All A.Y. McDonald Service Saddles meet A.W.W.A. standards.
- Use on cold water services only.



Installation instructions are provided with each saddle. Please read and follow instructions to ensure long lasting performance.

### OPTIONS

- Contact factory for 1/2" or 1 1/4" tapped saddles.
- Contact factory for BSPT (British Standard Taper Thread) tapped saddles.
- For saddles Viton® O-rings in place of EPDM O-rings - add "V" to end of model number i.e. 3801 = 3801V (see below for pricing)

#### Viton® O-ring adder "V"

3/4".....	\$14.47
1".....	\$14.47
1 1/2".....	\$20.93
2".....	\$20.93

- For saddles with SS Bolts in place of silicon bronze - add "SS" to end of model number i.e. 3801 = 3801SS (see below for pricing)

#### Stainless Steel Bolts adder "SS"

\$14.77 per saddle

### 3801

		AWWA TAP												
Part No.	Model	Nominal Size	Pipe O.D.	3/4"		1"		1 1/2"			2"			
				CTN/WT	Price	Part No.	CTN/WT	Price	Part No.	CTN/WT	Price	Part No.	CTN/WT	Price
4128-100	3801	2"	2.38	20/27	\$43.88	4128-101	20/28	\$43.88						
4128-104	3801	2 1/2"	2.88	20/30	\$54.94	4128-105	20/32	\$54.94						
4128-108	3801	3"	3.50	20/31	\$58.00	4128-109	20/33	\$58.00						
4128-112	3801	4"	4.50	10/23	\$68.26	4128-113	10/23	\$68.26	4128-170	10/34	\$146.92	4128-171	10/37	\$146.92
4128-116	3801	6"	6.63	10/34	\$101.80	4128-118	10/34	\$101.80	4128-172	10/39	\$192.07	4128-173	10/44	\$192.07
4128-124	3801	8"	8.63	6/29	\$139.88	4128-126	6/28	\$139.88	4128-174	6/31	\$198.08	4128-175	6/34	\$198.08
4128-022	3801	10"	10.75	3/27	\$269.88	4128-021	3/27	\$269.88	4128-029	3/33	\$385.02	4128-031	3/30	\$385.02
4128-026	3801	12"	12.75	3/32	\$359.07	4128-025	3/32	\$359.07	4128-037	3/38	\$414.78	4128-039	3/36	\$414.78

### 3802

		FNPT TAP												
Part No.	Model	Nominal Size	Pipe O.D.	3/4"		1"		1 1/2"			2"			
				CTN/WT	Price	Part No.	CTN/WT	Price	Part No.	CTN/WT	Price	Part No.	CTN/WT	Price
4128-102	3802	2"	2.38	20/28	\$43.88	4128-103	20/30	\$43.88						
4128-106	3802	2 1/2"	2.88	20/33	\$54.94	4128-107	20/33	\$54.94						
4128-110	3802	3"	3.50	20/33	\$58.00	4128-111	20/35	\$58.00						
4128-114	3802	4"	4.50	10/23	\$68.26	4128-115	10/23	\$68.26	4128-184	10/33	\$146.92	4128-185	10/33	\$146.92
4128-117	3802	6"	6.63	10/35	\$101.80	4128-119	10/34	\$101.80	4128-186	10/40	\$192.07	4128-187	10/48	\$192.07
4128-125	3802	8"	8.63	6/29	\$139.88	4128-127	6/29	\$139.88	4128-188	6/36	\$198.08	4128-189	6/36	\$198.08
4128-024	3802	10"	10.75	3/29	\$269.88	4128-023	3/27	\$269.88	4128-030	3/33	\$385.02	4128-032	3/31	\$385.02
4128-028	3802	12"	12.75	3/33	\$359.07	4128-027	3/34	\$359.07	4128-038	3/37	\$414.78	4128-040	3/36	\$414.78

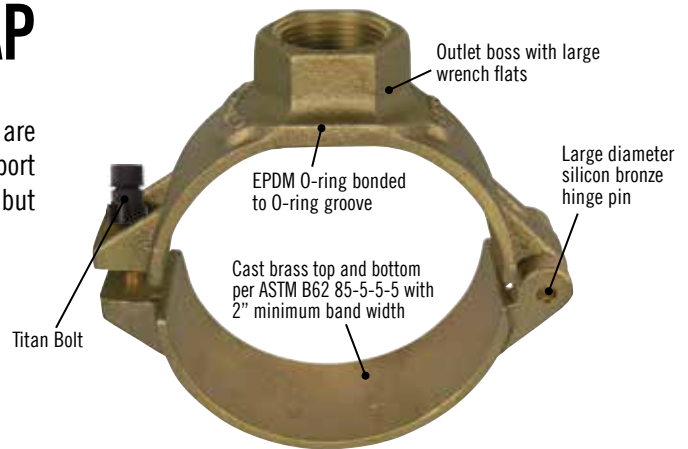


Service Saddles & Repair Clamps

# 3891 AWWA TAP / 3892 FNPT TAP

## IPS PVC PIPE (SCHEDULE 40 OR 80), HINGED ALL BRASS SADDLES

A.Y. McDonald Mfg. Co. Model 3891 / 3892 Brass Hinged Service Saddles are designed for use on Iron Pipe Size PVC pipe and provide full circle support without cracking or distorting the pipe. The pressure capabilities equal, but do not exceed, the working pressure rating of the pipe up to 200 PSIG.



### MATERIALS

#### Top and Bottom

85-5-5-5 cast brass per ASTM B62

#### Silicon Bronze Bolts (standard)

- 1/2" Slotted Hex Head  
5/16" - 18 UNC - 2A x 1 1/2" long (3100-911)  
One bolt for all 3/4" and 1" taps  
Two bolts for all 1 1/2" and 2" taps
- 9/16 Hex Head TITAN Bolt

#### Silicon Bronze Hinge Pin

- .25 diameter - Standard for all sizes

### NOTES

- Order Saddles by Model Number, Nominal Pipe Size and Tap Size (Example: 3891 8" x 1").
- All Saddles have Pipe O.D. identification.
- All A.Y. McDonald Service Saddles meet A.W.W.A. standards.
- Use on cold water services only.

Installation instructions are provided with each saddle. Please read and follow instructions to ensure long lasting performance.

\* Standard bolt available add "SB" - Slotted hex head silicon bronze bolts

### OPTIONS

- Contact factory for 1/2" or 1 1/4" tapped saddles.
- Contact factory for BSPT (British Standard Taper Thread) tapped saddles
- For saddles with Viton® O-rings in place of EPDM O-rings - add "V" to end of model number i.e. 3891 = 3891V (see below for pricing)

#### Viton® O-ring adder "V"

3/4".....	\$14.47
1".....	\$14.47
1 1/2".....	\$20.93
2".....	\$20.93

- For saddles with SS Bolts in place of silicon bronze - add "SS" to end of model number i.e. 3891 = 3891SS (see below for pricing)

#### Stainless Steel Bolts adder "SS"

\$7.39 per bolt - 3/4" and 1" Taps have one bolt & 1 1/2" and 2" Taps have two bolts.

3891														
TITAN BOLT														
AWWA TAP														
Part No.	Model	Nominal Size	Pipe O.D.	3/4"	Price	Part No.	1"	Price	Part No.	1 1/2"	Price	Part No.	2"	Price
4168-000	3891	2"	2.38	20/36	\$43.88	4168-002	20/37	\$43.88						
4168-004	3891	2 1/2"	2.88	20/43	\$54.94	4168-006	20/43	\$54.94						
4168-008	3891	3"	3.50	20/43	\$58.00	4168-010	20/47	\$58.00	4168-060	5/21	\$187.63			
4168-012	3891	4"	4.50	10/25	\$68.26	4168-014	10/27	\$68.26	4168-016	5/25	\$146.92	4168-018	5/22	\$146.92
4168-020	3891	6"	6.63	10/34	\$101.80	4168-022	10/34	\$101.80	4168-024	5/31	\$192.07	4168-026	5/28	\$192.07
4168-028	3891	8"	8.63	5/22	\$139.88	4168-030	5/22	\$139.88	4168-032	5/35	\$198.08	4168-034	5/33	\$198.08

3892														
TITAN BOLT														
FNPT TAP														
Part No.	Model	Nominal Size	Pipe O.D.	3/4"	Price	Part No.	1"	Price	Part No.	1 1/2"	Price	Part No.	2"	Price
4168-001	3892	2"	2.38	20/37	\$43.88	4168-003	20/37	\$43.88						
4168-005	3892	2 1/2"	2.88	20/46	\$54.94	4168-007	20/44	\$54.94						
4168-009	3892	3"	3.50	20/45	\$58.00	4168-011	20/46	\$58.00	4168-061	5/21	\$187.63	4168-062	5/19	\$187.63
4168-013	3892	4"	4.50	10/27	\$68.26	4168-015	10/27	\$68.26	4168-017	5/25	\$146.92	4168-019	5/23	\$146.92
4168-021	3892	6"	6.63	10/35	\$101.80	4168-023	10/36	\$101.80	4168-025	5/31	\$192.07	4168-027	5/27	\$192.07
4168-029	3892	8"	8.63	5/24	\$139.88	4168-031	5/23	\$139.88	4168-033	5/33	\$198.08	4168-035	5/34	\$198.08

Service Saddles & Repair Clamps



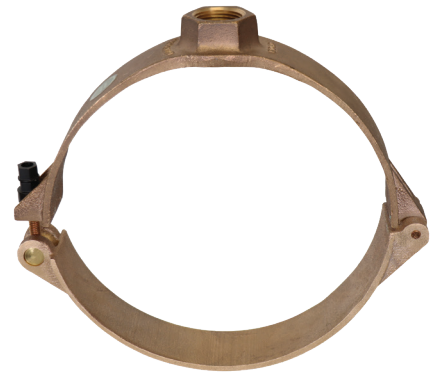


## 3893 AWWA TAP / 3894 FNPT TAP

**TITAN SWING CONNECT  
IPS PVC PIPE (SCHEDULE 40 OR 80), HINGED ALL BRASS SADDLES**

Meet A.Y. McDonald's newest innovation: The TITAN™ Swing Connect Saddle. Unlike regular saddles with loose bolts that are easily lost or damaged, the TITAN™ Swing Connect Saddle is available with a TITAN™ bolt that comes pre-attached on a pivoting joint. This solution also has a machined slot in the foot of the saddle that makes installation faster and more convenient.

Just like the TITAN™ bolt range, the TITAN™ Swing Connect Saddle is available on the Hinge Saddle (4", 6", and 8") 3/4" and 1" taps. Simply slide it over your water main, swing the saddle shut, pivot the TITAN™ bolt into place, and tighten the connection. Once the correct torque is reached, the injection-molded torque limiting cap breaks off, and you're done!



Installation instructions are provided with each saddle. Please read and follow instructions to ensure long lasting performance.

### MATERIALS

#### Top and Bottom

85-5-5-5 cast brass per ASTM B62

#### Silicon Bronze Bolts with TITAN (standard)

- 9/16" Hex Head
- 5/16" - 18 UNC - 2A x 2 1/2"
- One bolt for all 3/4" and 1" taps

#### Silicon Bronze Hinge Pin

- .25 diameter - Standard for all sizes

### NOTES

- Order Saddles by Model Number, Nominal Pipe Size and Tap Size (Example: 3893 8" x 1").
- All Saddles have Pipe O.D. identification.
- All A.Y. McDonald Service Saddles meet A.W.W.A. standards.
- Use on cold water services only.



Scan the QR code for the TITAN™ Swing Connect video

### OPTIONS

- Contact factory for BSPT (British Standard Taper Thread) tapped saddles
- For saddles with Viton® O-rings in place of EPDM O-rings - add "V" to end of model number i.e. 3893 = 3893V (see below for pricing)

#### Viton® O-ring adder "V"

3/4".....	\$14.47
1".....	\$14.47
1 1/2".....	\$20.93
2".....	\$20.93

### 3893

						AWWA TAP		
Part No.	Model	Nominal Size	Pipe O.D.	3/4"		1"		Price
				CTN/WT	Price	CTN/WT	Price	
4168-126	3893	4"	4.50	10/31	\$83.21	4168-128	10/30	\$83.21
4168-134	3893	6"	6.63	10/40	\$116.75	4168-136	10/39	\$116.75
4168-142	3893	8"	8.63	5/24	\$154.83	4168-144	5/24	\$154.83

### 3894

						FNPT TAP		
Part No.	Model	Nominal Size	Pipe O.D.	3/4"		1"		Price
				CTN/WT	Price	CTN/WT	Price	
4168-127	3894	4"	4.50	10/31	\$83.21	4168-129	10/30	\$83.21
4168-135	3894	6"	6.63	10/40	\$116.75	4168-137	10/39	\$116.75
4168-143	3894	8"	8.63	5/24	\$154.83	4168-145	5/24	\$154.83



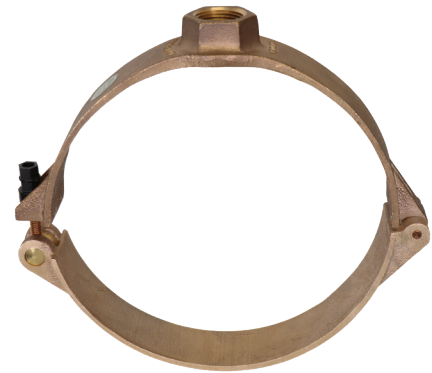


# 3897 AWWA TAP / 3898 FNPT TAP

**TITAN SWING CONNECT  
CAST IRON O.D. PVC PIPE (AWWA C900, C909), HINGED ALL BRASS SADDLES**

Meet A.Y. McDonald's newest innovation: The TITAN™ Swing Connect Saddle. Unlike regular saddles with loose bolts that are easily lost or damaged, the TITAN™ Swing Connect Saddle is available with a TITAN™ bolt that comes pre-attached on a pivoting joint. This solution also has a machined slot in the foot of the saddle that makes installation faster and more convenient.

Just like the TITAN™ bolt range, the TITAN™ Swing Connect Saddle is available on the Hinge Saddle (4", 6", and 8") 3/4" and 1" taps. Simply slide it over your water main, swing the saddle shut, pivot the TITAN™ bolt into place, and tighten the connection. Once the correct torque is reached, the injection-molded torque limiting cap breaks off, and you're done!



Installation instructions are provided with each saddle. Please read and follow instructions to ensure long lasting performance.

## MATERIALS

### Top and Bottom

85-5-5-5 cast brass per ASTM B62

### Silicon Bronze Bolts with TITAN (standard)

- 9/16" Hex Head
- 5/16" - 18 UNC - 2A x 2 1/2"
- One bolt for all 3/4" and 1" taps

### Silicon Bronze Hinge Pin

- .25 diameter - Standard for all sizes

## NOTES

- Order Saddles by Model Number, Nominal Pipe Size and Tap Size (Example: 3897 8" x 1").
- All Saddles have Pipe O.D. identification.
- All A.Y. McDonald Service Saddles meet A.W.W.A. standards.
- Use on cold water services only.



Scan the QR code for the TITAN™ Swing Connect video

## OPTIONS

- Contact factory for 1/2" or 1 1/4" tapped saddles.
- Contact factory for BSPT (British Standard Taper Thread) tapped saddles
- For saddles with Viton® O-rings in place of EPDM O-rings - add "V" to end of model number i.e. 3897 = 3897V (see below for pricing)

**Viton® O-ring adder "V"**

3/4" .....	\$14.47
1" .....	\$14.47
1 1/2" .....	\$20.93
2" .....	\$20.93

3897				AWWA TAP				
Part No.	Model	Nominal Size	Pipe O.D.	3/4"		1"		Price
				CTN/WT	Price	Part No.	CTN/WT	
4168-130	3897	4"	4.80	10/32	\$89.45	4168-132	10/31	\$89.45
4168-138	3897	6"	6.90	10/42	\$116.75	4168-140	10/39	\$116.75
4168-146	3897	8"	9.05	5/25	\$157.44	4168-148	5/24	\$157.44

3898				FNPT TAP				
Part No.	Model	Nominal Size	Pipe O.D.	3/4"		1"		Price
				CTN/WT	Price	Part No.	CTN/WT	
4168-131	3898	4"	4.80	10/32	\$89.45	4168-133	10/31	\$89.45
4168-139	3898	6"	6.90	10/42	\$116.75	4128-141	10/39	\$116.75
4168-147	3898	8"	9.05	5/25	\$157.44	4128-149	5/25	\$157.44



## 3805 AWWA TAP / 3806 FNPT TAP

CAST IRON O.D. PVC PIPE (AWWA C900, C909), TWO BOLT ALL BRASS SADDLES

A.Y. McDonald Mfg. Co. Model 3805 / 3806 Brass Two Bolt Service Saddles are designed for use on Cast Iron O.D. PVC Pipe (AWWA C900/C909) and provide full circle support without cracking or distorting the pipe. The pressure capabilities equal, but do not exceed, the working pressure rating of the pipe up to 200 PSIG.

### MATERIALS

#### Top and Bottom

85-5-5-5 cast brass per ASTM B62

#### Silicon Bronze Bolts (standard)

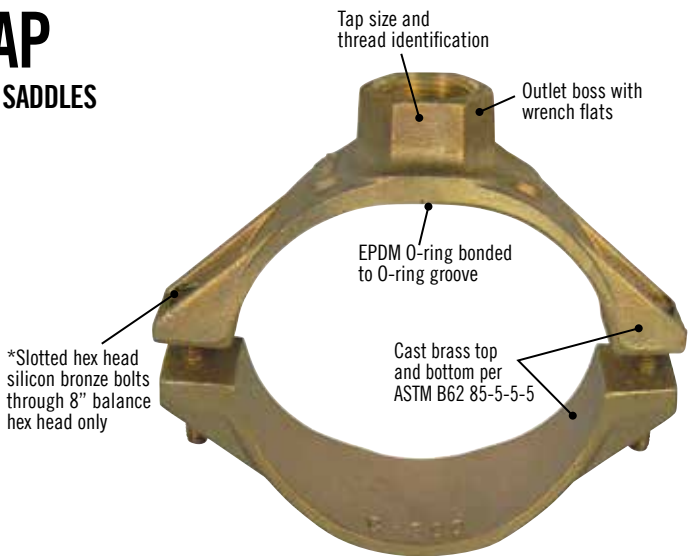
- 1/2" Slotted Hex Head  
5/16" - 18 UNC - 2A x 2" long (3100-906)  
**fits on 2", 2 1/2", 3", 4", 6" & 8" diameter saddles with 3/4" and 1" Taps**

- 5/8" Slotted Hex Head  
7/16" - 14 UNC - 2A x 2" long (3100-908)  
**fits on 4", 6" & 8" diameter saddles with 1 1/2" and 2" Taps**

- 3/4" Hex Head  
1/2" - 13 UNC - 2A x 3" long (3100-915)  
**fits on 10" & 12" diameter saddles with 3/4" - 2" Taps**

### NOTES

- Order Saddles by Model Number, Nominal Pipe Size and Tap Size (**Example: 3805 8" x 1"**).
- All Saddles have Pipe O.D. identification.
- All A.Y. McDonald Service Saddles meet A.W.W.A. standards.
- Use on cold water services only.



**Installation instructions are provided with each saddle. Please read and follow instructions to ensure long lasting performance.**

### OPTIONS

- Contact factory for 1/2" or 1 1/4" tapped saddles.
- Contact factory for BSPT (British Standard Taper Thread) tapped saddles
- For saddles with Viton® O-rings in place of EPDM O-rings - add "V" to end of model number i.e. 3805 = 3805V (see below for pricing)

#### Viton® O-ring adder "V"

3/4".....	\$14.47
1".....	\$14.47
1 1/2".....	\$20.93
2".....	\$20.93

- For saddles with SS Bolts in place of silicon bronze - add "SS" to end of model number i.e. 3805 = 3805SS (see below for pricing)

#### Stainless Steel Bolts adder "SS"

\$14.77 per saddle

### 3805

AWWA TAP														
Part No.	Model	Nominal Size	Pipe O.D.	3/4" CTN/WT	Price	Part No.	1" CTN/WT	Price	Part No.	1 1/2" CTN/WT	Price	Part No.	2" CTN/WT	Price
4128-130	3805	4"	4.80	10/24	\$74.50	4128-131	10/24	\$74.50	4128-150	10/33	\$186.42	4128-151	10/37	\$186.42
4128-132	3805	6"	6.90	10/34	\$101.80	4128-133	10/36	\$101.80	4128-152	10/41	\$192.07	4128-153	10/43	\$192.07
4128-134	3805	8"	9.05	6/29	\$142.49	4128-135	6/29	\$142.49	4128-154	6/35	\$219.31	4128-155	6/32	\$219.31
4128-008	3805	10"	11.10	3/28	\$385.02	4128-009	3/27	\$385.02	4128-033	3/32	\$385.02	4128-035	3/30	\$385.02
4128-012	3805	12"	13.20	3/34	\$414.78	4128-013	3/33	\$414.78	4128-041	3/38	\$414.78	4128-043	3/37	\$414.78

### 3806

FNPT TAP														
Part No.	Model	Nominal Size	Pipe O.D.	3/4" CTN/WT	Price	Part No.	1" CTN/WT	Price	Part No.	1 1/2" CTN/WT	Price	Part No.	2" CTN/WT	Price
4128-140	3806	4"	4.80	10/23	\$74.50	4128-141	10/24	\$74.50	4128-160	10/33	\$186.42	4128-161	10/34	\$186.42
4128-142	3806	6"	6.90	10/29	\$101.80	4128-143	10/36	\$101.80	4128-162	10/53	\$192.07	4128-163	10/50	\$192.07
4128-144	3806	8"	9.05	6/30	\$142.49	4128-145	6/29	\$142.49	4128-164	6/35	\$219.31	4128-165	6/35	\$219.31
4128-010	3806	10"	11.10	3/27	\$385.02	4128-011	3/27	\$385.02	4128-034	3/34	\$385.02	4128-036	3/30	\$385.02
4128-014	3806	12"	13.20	3/32	\$414.78	4128-015	3/32	\$414.78	4128-042	3/38	\$414.78	4128-044	3/38	\$414.78

Service Saddles & Repair Clamps



# 3895 AWWA TAP / 3896 FNPT TAP

CAST IRON O.D. PVC PIPE (AWWA C900, C909), HINGED ALL BRASS SADDLES

A.Y. McDonald Mfg. Co. Model 3895 / 3896 Brass Hinged Service Saddles are designed for use on Cast Iron O.D. PVC Pipe (AWWA C900/C909) and provide full circle support without cracking or distorting the pipe. The pressure capabilities equal, but do not exceed, the working pressure rating of the pipe up to 200 PSIG.

## MATERIALS

### Top and Bottom

85-5-5 cast brass per ASTM B62

### Silicon Bronze Bolts (standard)

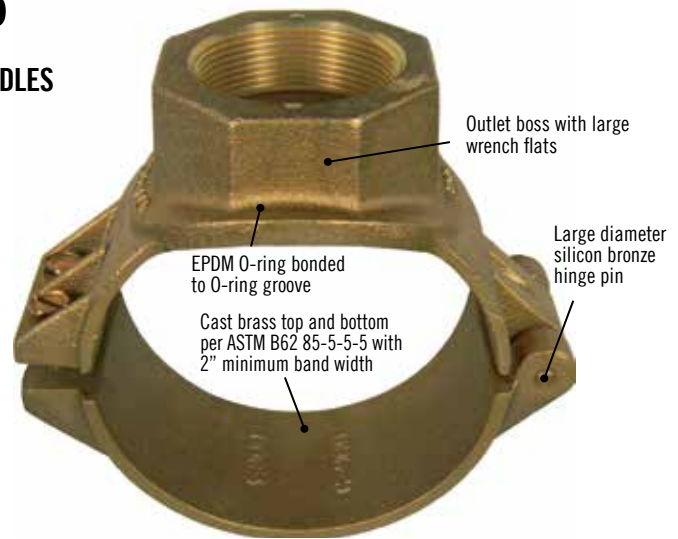
- 1/2" Slotted Hex Head  
5/16" - 18 UNC - 2A x 1 1/2" long (3100-911)  
One bolt for all 3/4" and 1" taps  
Two bolts for all 1 1/2" and 2" taps
- 9/16" Hex Head TITAN Bolt

### Silicon Bronze Hinge Pin

- .25 diameter - Standard for all sizes

## NOTES

- Order Saddles by Model Number, Nominal Pipe Size and Tap Size (**Example: 3895 8" x 1"**).
- All Saddles have Pipe O.D. identification.
- All A.Y. McDonald Service Saddles meet A.W.W.A. standards.
- Use on cold water services only.



Installation instructions are provided with each saddle. Please read and follow instructions to ensure long lasting performance.

\* Standard bolt available add "SB" - Slotted hex head silicon bronze bolt

## OPTIONS

- Contact factory for 1/2" or 1 1/4" tapped saddles.
- Contact factory for BSPT (British Standard Taper Thread) tapped saddle
- For saddles with Viton® O-rings - in place of EPDM O-rings - add "V" to end of model number i.e. 3895 = 3895V (see below for pricing)

### Viton® O-ring adder "V"

3/4" .....	\$14.47
1" .....	\$14.47
1 1/2" .....	\$20.93
2" .....	\$20.93

- For saddles with SS Bolts in place of silicon bronze - add "SS" to end of model number i.e. 3895 = 3895SS (see below for pricing)

### Stainless Steel Bolts adder "SS"

\$7.39 per bolt - 3/4" and 1" Taps have one bolt & 1 1/2" and 2" Taps have two bolts.

3895														
TITAN BOLT														
AWWA TAP														
Part No.	Model	Nominal Size	Pipe O.D.	3/4"		1"			1 1/2"			2"		
				CTN/WT	Price	Part No.	CTN/WT	Price	Part No.	CTN/WT	Price	Part No.	CTN/WT	Price
4168-036	3895	4"	4.80	10/30	\$74.50	4168-038	10/27	\$74.50	4168-040	5/25	\$186.42	4168-042	5/23	\$186.42
4168-044	3895	6"	6.90	10/37	\$101.80	4168-046	10/35	\$101.80	4168-048	5/31	\$192.07	4168-050	5/29	\$192.07
4168-052	3895	8"	9.05	5/23	\$142.49	4168-054	5/24	\$142.49	4168-056	5/36	\$219.31	4168-058	5/34	\$219.31

3896														
TITAN BOLT														
FNPT TAP														
Part No.	Model	Nominal Size	Pipe O.D.	3/4"		1"			1 1/2"			2"		
				CTN/WT	Price	Part No.	CTN/WT	Price	Part No.	CTN/WT	Price	Part No.	CTN/WT	Price
4168-037	3896	4"	4.80	10/30	\$74.50	4168-039	10/29	\$74.50	4168-041	5/26	\$186.42	4168-043	5/24	\$173.42
4168-045	3896	6"	6.90	10/39	\$101.80	4168-047	10/35	\$101.80	4168-049	5/32	\$192.07	4168-051	5/30	\$178.67
4168-053	3896	8"	9.05	5/23	\$142.49	4168-055	5/24	\$142.49	4168-057	5/37	\$219.31	4168-059	5/35	\$204.01

Service Saddles & Repair Clamps



## 3808 FNPT TAP

**CAST IRON O.D. PVC PIPE (AWWA C900, C909)  
SINGLE BAND ALL BRASS SADDLE**

A.Y. McDonald Mfg. Co. Model 3808 Four Bolt Service Saddles are designed for use on Cast Iron O.D. PVC Pipe (AWWA C900/C909) and provide full circle support without cracking or distorting the pipe. The pressure capabilities equal, but do not exceed, the working pressure rating of the pipe up to 200 PSIG.

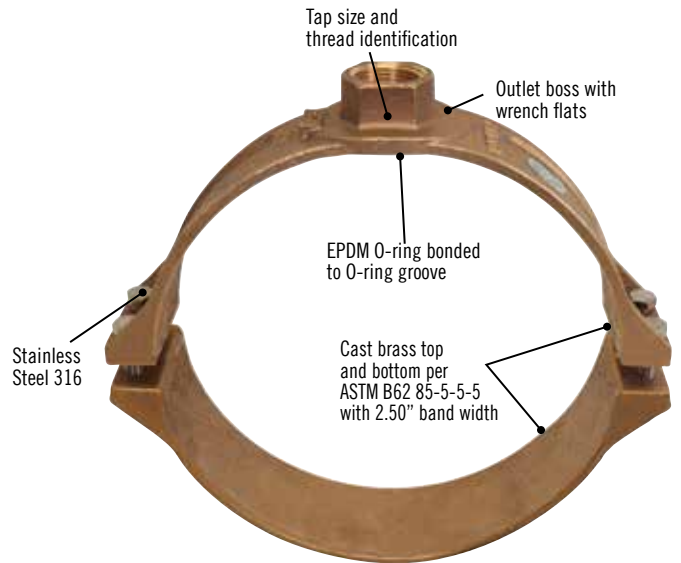
### MATERIALS

#### Top and Bottom

- 85-5-5-5 cast brass per ASTM B62
- Stainless Steel 316 Bolt
- 3/8" - 16, 1 1/2" long

### NOTES

- Order Saddles by Model Number, Nominal Pipe Size and Tap Size (**Example: 3808 8" x 1"**).
- All Saddles have Pipe O.D. identification.
- All A.Y. McDonald Service Saddles meet A.W.W.A. standards.
- Use on cold water services only.



**Installation instructions are provided with each saddle. Please read and follow instructions to ensure long lasting performance.**

Service Saddles & Repair Clamps

3808			FNPT TAP						
Part No.	Model	Nominal Size	Pipe O.D.	1"		2"			
				CTN/WT	Price	Part No.	CTN/WT	Price	
4128-089	3808	4"	4.80	6/35	\$214.79	4128-090	6/30	\$214.93	
4128-091	3808	6"	6.90	6/39	\$221.37	4128-092	6/34	\$221.37	
4128-093	3808	8"	9.05	6/36	\$252.66	4128-094	6/40	\$252.66	



# 3809 AWWA TAP / 3810 FNPT TAP

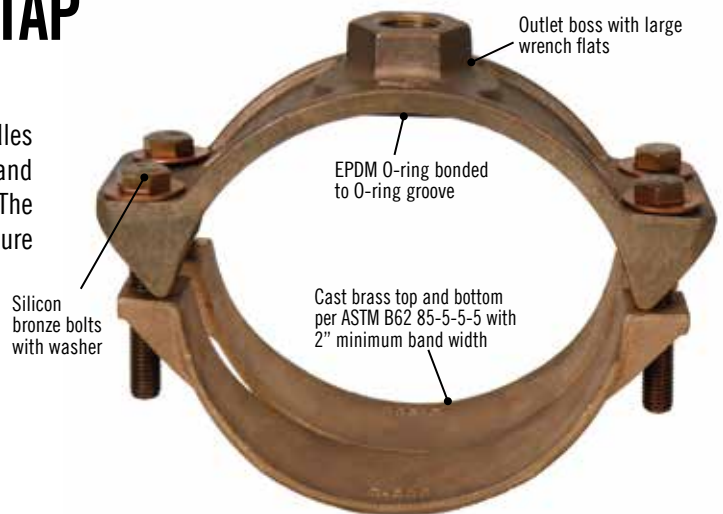
CAST IRON O.D. PVC PIPE (AWWA C900, C909)  
**DOUBLE BAND ALL BRASS SADDLE**

A.Y. McDonald Mfg. Co. Model 3809 / 3810 Brass Hinged Service Saddles are designed for use on Cast Iron O.D. PVC Pipe (AWWA C900/C909) and provide full circle support without cracking or distorting the pipe. The pressure capabilities equal, but do not exceed, the working pressure rating of the pipe up to 200 PSIG.

## MATERIALS

### Top and Bottom

- 85-5-5-5 cast brass per ASTM B62
- Silicon Bronze Bolt
- 1/2" - 13 UNC - 2A x 4" long



Installation instructions are provided with each saddle. Please read and follow instructions to ensure long lasting performance.

## NOTES

- Order Saddles by Model Number, Nominal Pipe Size and Tap Size (**Example: 3809 8" x 1"**).
- All Saddles have Pipe O.D. identification.
- All A.Y. McDonald Service Saddles meet A.W.W.A. standards.
- Use on cold water services only.

## 3809

				AWWA TAP				
Part No.	Model	Nominal Size	Pipe O.D.	3/4"		1"		
				CTN/WT	Price	Part No.	CTN/WT	Price
4168-117	3809	4"	4.80	5/25	\$233.91	4168-118	5/24	\$233.91
4168-119	3809	6"	6.90	4/26	\$290.67	4168-120	4/30	\$290.67
4168-121	3809	8"	9.05	4/37	\$332.73	4168-122	4/37	\$332.73
4168-123	3809	12"	13.20	3/55	\$410.32	4168-124	3/52	\$410.32

## 3810

				FNPT TAP				
Part No.	Model	Nominal Size	Pipe O.D.	3/4"		1"		
				CTN/WT	Price	Part No.	CTN/WT	Price
4168-109	3810	4"	4.80	5/25	\$233.91	4168-110	5/28	\$233.91
4168-111	3810	6"	6.90	4/40	\$290.67	4168-112	4/26	\$290.67
4168-113	3810	8"	9.05	4/47	\$332.73	4168-114	4/46	\$332.73
4168-115	3810	12"	13.20	3/55	\$410.32	4168-116	3/52	\$410.32



## 3815 AWWA TAP / 3816 FNPT TAP

**DUCTILE IRON, ASBESTOS CEMENT OR CAST IRON O.D. PIPE,  
BRONZE SINGLE BALE SADDLES WITH BRASS TOP**

A.Y. McDonald Mfg. Co. Model 3815 / 3816 Single Bronze Bale Brass Service Saddles are designed for use on service line connections to ductile iron, asbestos-cement or cast iron O.D. pipe water mains. The pressure capabilities equal, but do not exceed, the working pressure rating of the pipe up to 200 PSIG.

### MATERIALS

**Body** - 85-5-5-5 cast brass per ASTM B62

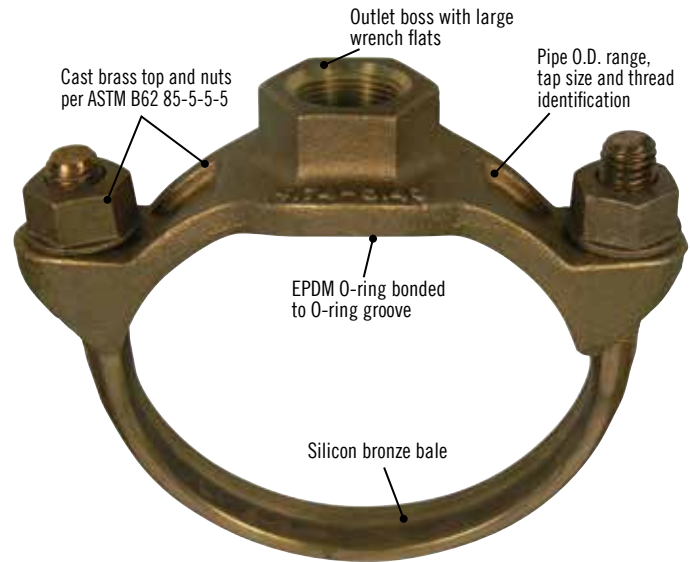
**Bale** - Silicon Bronze ASTM B98 C65100

**Nuts with enlarged washer bearing surface**

85-5-5-5 cast brass per ASTM B62

### NOTES

- Order Saddles by Model Number, Nominal Pipe Size and Tap Size (**Example: 3815 8" x 1"**).
- All Saddles have Pipe O.D. identification.
- All A.Y. McDonald Service Saddles meet A.W.W.A. standards.
- Use on cold water services only.



**Installation instructions are provided with each saddle. Please read and follow instructions to ensure long lasting performance.**

### OPTIONS

- Contact factory for 1/2" or 1 1/4" tapped saddles.
- Contact factory for availability BSPT (British Standard Pipe Taper Thread) tapped saddles.
- EPDM Flat gasket in place of EPDM O-Ring - add "F" to end of model number i.e. 3815 = 3815F (price is the same as EPDM O-ring style).
- Viton® O-rings - add "V" to end of model number i.e. 3815 = 3815V (see below for pricing)

#### Viton® O-ring adder "V"

3/4".....	\$14.47
1".....	\$14.47
1 1/2".....	\$20.93
2".....	\$20.93





# 3815 AWWA TAP / 3816 FNPT TAP

DUCTILE IRON, ASBESTOS CEMENT OR CAST IRON O.D. PIPE,  
BRONZE SINGLE BALE SADDLES WITH BRASS TOP

## 3815

						AWWA TAP		
Part No.	Model	Nominal Size	Pipe O.D.	3/4"		Part No.	1"	
				CTN/WT	Price		CTN/WT	Price
4148-082	3815	4"	4.74 - 5.40	8/28	\$107.26	4148-080	8/27	\$107.26
4148-086	3815	6"	6.84 - 7.50	8/35	\$130.54	4148-084	8/34	\$130.54
4148-090	3815	8"	8.99 - 9.67	8/41	\$166.36	4148-088	8/40	\$166.36
4148-094	3815	10"	11.04 - 12.12	6/35	\$217.67	4148-092	6/35	\$217.67
4148-098	3815	12"	13.20 - 14.38	6/39	\$231.91	4148-096	6/41	\$231.91

## 3816

						FNPT TAP		
Part No.	Model	Nominal Size	Pipe O.D.	3/4"		Part No.	1"	
				CTN/WT	Price		CTN/WT	Price
4148-083	3816	4"	4.74 - 5.40	8/29	\$107.26	4148-081	8/28	\$107.26
4148-087	3816	6"	6.84 - 7.50	8/35	\$130.54	4148-085	8/34	\$130.54
4148-091	3816	8"	8.99 - 9.67	8/41	\$166.36	4148-089	8/41	\$166.36
4148-095	3816	10"	11.04 - 12.12	6/36	\$217.67	4148-093	6/35	\$217.67
4148-099	3816	12"	13.20 - 14.38	6/42	\$231.91	4148-097	6/41	\$231.91



## 3825 AWWA TAP / 3826 FNPT TAP

DUCTILE IRON, ASBESTOS CEMENT OR CAST IRON O.D. PIPE, BRONZE DOUBLE BALE SADDLES WITH BRASS TOP

A.Y. McDonald Mfg. Co. Model 3825 A & B / 3826 A & B Double Bronze Bale Brass Service Saddles are designed for use on service line connections to ductile iron, asbestos-cement or cast iron O.D. pipe water mains. The pressure capabilities equal, but do not exceed, the working pressure rating of the pipe up to 200 PSIG.

### MATERIALS

**Body** - 85-5-5-5 cast brass per ASTM B62

**Bale** - Silicon Bronze ASTM B98 C65100

**Nuts with enlarged washer bearing surface**

85-5-5-5 cast brass per ASTM B62

### NOTES

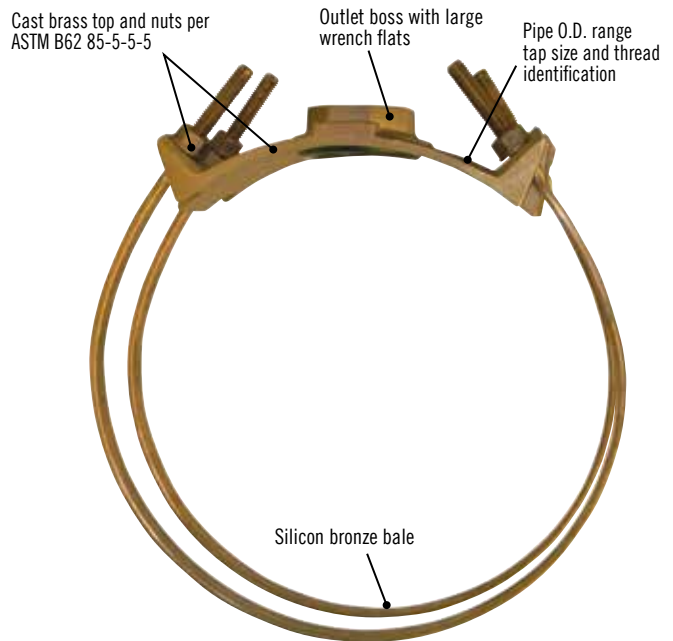
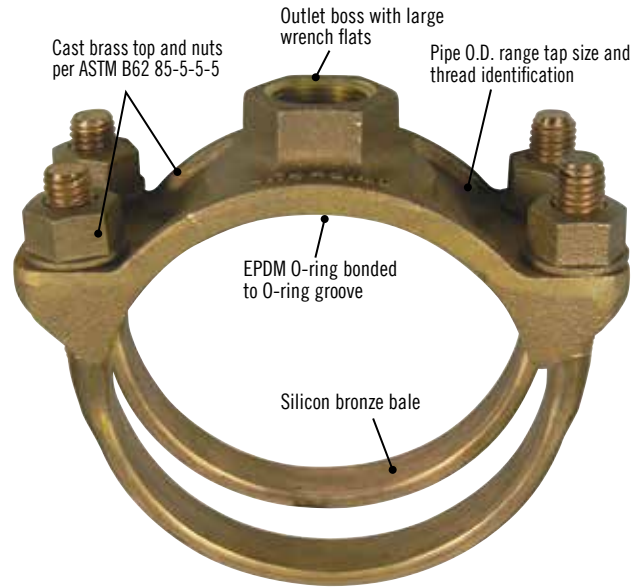
- Order Saddles by Model Number, Nominal Pipe Size and Tap Size (**Example: 3825 8" x 1"**).
- All Saddles have Pipe O.D. identification.
- All A.Y. McDonald Service Saddles meet A.W.W.A. standards.
- Use on cold water services only.

### OPTIONS

- Contact factory for 1/2" or 1 1/4" tapped saddles.
- Contact factory for availability BSPT (British Standard Pipe Taper Thread) tapped saddles.
- EPDM Flat gasket in place of EPDM O-Ring - add "F" to end of model number i.e. 3825 = 3825F (price is the same as EPDM O-ring style).
- Viton® O-rings - add "V" to end of model number i.e. 3825 = 3825V (see below for pricing)

**Viton® O-ring adder "V"**

3/4" .....	\$14.47
1" .....	\$14.47
1 1/2" .....	\$20.93
2" .....	\$20.93



Installation instructions are provided with each saddle. Please read and follow instructions to ensure long lasting performance.

Service Saddles & Repair Clamps



# 3825 AWWA TAP / 3826 FNPT TAP

DUCTILE IRON, ASBESTOS CEMENT OR CAST IRON O.D. PIPE, BRONZE DOUBLE BALE SADDLES WITH BRASS TOP

3825		AWWA TAP												
Part No.	Model	Nominal Size	Pipe O.D.	3/4"		1"			1 1/2"			2"		
				CTN/WT	Price	Part No.	CTN/WT	Price	Part No.	CTN/WT	Price	Part No.	CTN/WT	Price
4148-000	3825	4"	4.74 - 5.40	5/30	\$194.62	4148-002	5/30	\$194.62	4148-024	5/37	\$226.99	4148-004	5/38	\$247.07
4148-006	3825	6"	6.84 - 7.50	5/37	\$229.24	4148-008	5/37	\$229.24	4148-026	5/43	\$262.11	4148-010	5/44	\$287.96
4148-012	3825	8"	8.99 - 9.67	5/44	\$283.70	4148-014	5/43	\$283.70	4148-028	4/40	\$298.68	4148-016	4/41	\$325.18
4148-032	3825	10"	11.04 - 12.12	3/32	\$351.51	4148-034	3/33	\$351.51	4148-036	3/35	\$386.01	4148-039	3/36	\$414.57
4148-018	3825	12"	13.20 - 14.38	3/38	\$411.35	4148-020	3/37	\$411.35	4148-030	3/41	\$463.95	4148-022	3/41	\$472.32
4148-226	3825A	14"	15.30 - 16.25	1/18	\$625.15	4148-224	1/21	\$625.15	4148-222	1/18	\$625.15	4148-220	1/17	\$625.15
4148-234	3825B	14"	16.30 - 17.25	1/18	\$666.33	4148-232	1/18	\$666.33	4148-230	1/22	\$666.33	4148-228	1/21	\$666.33
4148-203	3825A	16"	17.40 - 18.40	1/22	\$705.54	4148-205	1/22	\$705.54	4148-207	1/22	\$705.54	4148-209	1/21	\$705.54
4148-217	3825B	16"	18.50 - 19.25	1/22	\$705.54	4148-215	1/22	\$705.54	4148-213	1/22	\$705.54	4148-211	1/21	\$705.54
4148-242	3825	18"	19.50 - 20.50	1/25	\$813.18	4148-240	1/20	\$813.18	4148-238	1/20	\$813.18	4148-236	1/19	\$813.18
4148-250	3825A	20"	21.20 - 22.20	1/22	\$836.58	4148-248	1/21	\$836.58	4148-246	1/24	\$836.58	4148-244	1/25	\$836.58
4148-258	3825B	20"	22.50 - 23.50	1/26	\$861.83	4148-256	1/22	\$861.83	4148-254	1/24	\$861.83	4148-252	1/24	\$861.83
4148-266	3825A	24"	23.80 - 24.80	1/26	\$897.81	4148-264	1/22	\$897.81	4148-262	1/22	\$897.81	4148-260	1/21	\$897.81
4148-274	3825B	24"	25.60 - 26.50	1/27	\$918.55	4148-272	1/23	\$918.55	4148-270	1/27	\$918.55	4148-268	1/26	\$918.55
4148-282	3825	30"	31.74 - 32.74	1/27	\$1,031.08	4148-280	1/30	\$1,031.08	4148-278	1/26	\$1,031.08	4148-276	1/32	\$1,031.08

3826		FNPT TAP												
Part No.	Model	Nominal Size	Pipe O.D.	3/4"		1"			1 1/2"			2"		
				CTN/WT	Price	Part No.	CTN/WT	Price	Part No.	CTN/WT	Price	Part No.	CTN/WT	Price
4148-001	3826	4"	4.74 - 5.40	5/31	\$194.62	4148-003	5/30	\$194.62	4148-025	5/37	\$226.99	4148-005	5/34	\$247.07
4148-007	3826	6"	6.84 - 7.50	5/37	\$229.24	4148-009	5/37	\$229.24	4148-027	5/43	\$262.11	4148-011	5/41	\$287.96
4148-013	3826	8"	8.99 - 9.67	5/44	\$283.70	4148-015	5/45	\$283.70	4148-029	4/40	\$298.68	4148-017	4/39	\$325.18
4148-033	3826	10"	11.04 - 12.12	3/32	\$351.51	4148-035	3/33	\$351.51	4148-037	3/37	\$386.01	4148-038	3/35	\$414.57
4148-019	3826	12"	13.20 - 14.38	3/38	\$411.35	4148-021	3/36	\$411.35	4148-031	3/42	\$463.95	4148-023	3/40	\$472.32
4148-227	3826A	14"	15.30 - 16.25	1/18	\$625.15	4148-225	1/18	\$625.15	4148-223	1/18	\$625.15	4148-221	1/17	\$625.15
4148-235	3826B	14"	16.30 - 17.25	1/22	\$666.33	4148-233	1/22	\$666.33	4148-231	1/18	\$666.33	4148-229	1/20	\$666.33
4148-204	3826A	16"	17.40 - 18.40	1/22	\$705.54	4148-206	1/22	\$705.54	4148-208	1/22	\$705.54	4148-210	1/19	\$705.54
4148-218	3826B	16"	18.50 - 19.25	1/20	\$705.54	4148-216	1/23	\$705.54	4148-214	1/19	\$705.54	4148-212	1/22	\$705.54
4148-243	3826	18"	19.50 - 20.50	1/24	\$813.18	4148-241	1/20	\$813.18	4148-239	1/23	\$813.18	4148-237	1/24	\$813.18
4148-251	3826A	20"	21.20 - 22.20	1/25	\$836.58	4148-249	1/22	\$836.58	4148-247	1/21	\$836.58	4148-245	1/25	\$836.58
4148-259	3826B	20"	22.50 - 23.50	1/26	\$861.83	4148-257	1/26	\$861.83	4148-255	1/25	\$861.83	4148-253	1/26	\$861.83
4148-267	3826A	24"	23.80 - 24.80	1/22	\$897.81	4148-265	1/22	\$897.81	4148-263	1/26	\$897.81	4148-261	1/22	\$897.81
4148-275	3826B	24"	25.60 - 26.50	1/23	\$918.55	4148-273	1/23	\$918.55	4148-271	1/23	\$918.55	4148-269	1/26	\$918.55
4148-283	3826	30"	31.74 - 32.74	1/30	\$1,031.08	4148-281	1/30	\$1,031.08	4148-279	1/30	\$1,031.08	4148-277	1/35	\$1,031.08

Service Saddles & Repair Clamps



## 3835 AWWA TAP / 3836 FNPT TAP

CAST IRON O.D. PVC PIPE (AWWA C900, C909), STAINLESS STEEL SINGLE BAND SADDLES WITH BRASS TOP

A.Y. McDonald Mfg. Co. 3835 / 3836 Service Saddles with Stainless Steel Band are designed for use on service line connections to cast iron O.D. PVC pipe AWWA C-900/C909 water mains. The pressure capabilities equal, but do not exceed, the working pressure rating of the pipe, up to 200 PSIG.

### MATERIALS

**Body** - 85-5-5-5 cast brass per ASTM B62

**Band and Studs** - 304 Stainless Steel

**Nuts and Washers** - 304 Stainless Steel

Nuts are supplied with Fluorocarbon coating

### NOTES

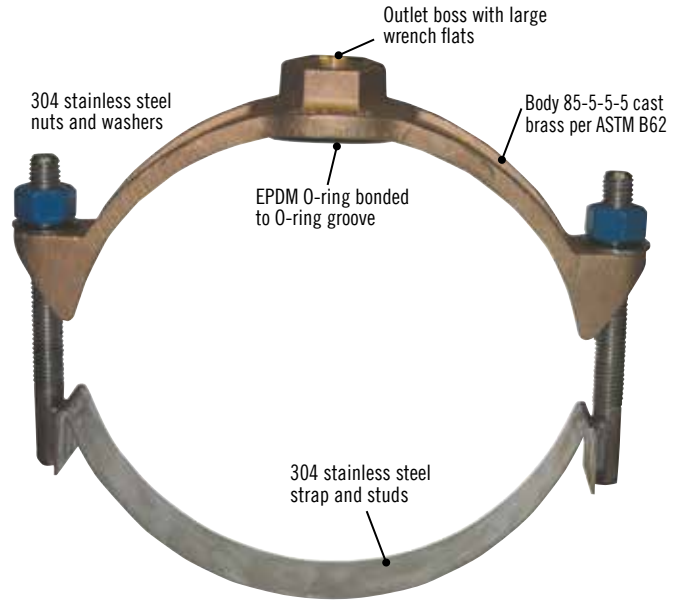
- Order Saddles by Model Number, Nominal Pipe Size and Tap Size (**Example: 3835 8" x 1"**).
- All Saddles have Pipe O.D. identification.
- All A.Y. McDonald Service Saddles meet A.W.W.A. standards.
- Use on cold water services only.

### OPTIONS

- Contact factory for 1/2" or 1 1/4" tapped saddles.
- Contact factory for availability BSPT (British Standard Pipe Taper Thread) tapped saddles.
- EPDM Flat gasket in place of EPDM O-Ring - add "F" to end of model number i.e. 3835 = 3835F (price is the same as EPDM O-ring style).
- 316 Stainless Steel Bands - add "-316" at end of model number i.e. 3835 = 3835-316 (contact factory for pricing and availability)
- Viton® O-rings - add "V" to end of model number i.e. 3835 = 3835V (see below for pricing)

#### Viton® O-ring adder "V"

3/4" .....	\$14.47
1" .....	\$14.47
1 1/2" .....	\$20.93
2" .....	\$20.93



**Installation instructions are provided with each saddle. Please read and follow instructions to ensure long lasting performance.**



# 3835 AWWA TAP / 3836 FNPT TAP

CAST IRON O.D. PVC PIPE (AWWA C900, C909), STAINLESS STEEL  
SINGLE BAND SADDLES WITH BRASS TOP

3835						AWWA TAP		
Part No.	Model	Nominal Size	Pipe O.D.	3/4"		Part No.	1"	
				CTN/WT	Price		CTN/WT	Price
4148-143	3835	4"	4.80	8/28	\$124.22	4148-145	8/28	\$124.22
4148-147	3835	6"	6.90	8/34	\$151.13	4148-149	8/33	\$151.13
4148-151	3835	8"	9.05	8/37	\$192.62	4148-153	8/38	\$192.62
4148-155	3835	10"	11.10	6/30	\$252.00	4148-157	6/32	\$252.00
4148-159	3835	12"	13.20	6/35	\$268.45	4148-161	6/38	\$268.45

3836						FNPT TAP		
Part No.	Model	Nominal Size	Pipe O.D.	3/4"		Part No.	1"	
				CTN/WT	Price		CTN/WT	Price
4148-144	3836	4"	4.80	8/29	\$124.22	4148-146	8/29	\$124.22
4148-148	3836	6"	6.90	8/33	\$151.13	4148-150	8/33	\$151.13
4148-152	3836	8"	9.05	8/40	\$192.62	4148-154	8/39	\$192.62
4148-156	3836	10"	11.10	6/33	\$252.00	4148-158	6/33	\$252.00
4148-160	3836	12"	13.20	6/38	\$268.45	4148-162	6/37	\$268.45

# 3835U AWWA TAP / 3836U FNPT TAP

CAST IRON O.D. PVC PIPE (AWWA C900, C909), STAINLESS STEEL  
SINGLE BAND SADDLES WITH BRASS TOP

3835U - American Made						AWWA TAP		
Part No.	Model	Nominal Size	Pipe O.D.	3/4"		Part No.	1"	
				CTN/WT	Price		CTN/WT	Price
4248-000	3835U	4"	4.80	8/28	\$139.13	4248-002	8/28	\$139.13
4248-012	3835U	6"	6.90	8/34	\$169.27	4248-014	8/33	\$169.27
4248-024	3835U	8"	9.05	8/37	\$215.73	4248-026	8/38	\$215.73
4248-036	3835U	10"	11.10	6/30	\$282.24	4248-038	6/32	\$282.24
4248-048	3835U	12"	13.20	6/35	\$300.67	4248-050	6/38	\$300.67

3836U - American Made						FNPT TAP		
Part No.	Model	Nominal Size	Pipe O.D.	3/4"		Part No.	1"	
				CTN/WT	Price		CTN/WT	Price
4248-001	3836U	4"	4.80	8/29	\$139.13	4248-003	8/29	\$139.13
4248-013	3836U	6"	6.90	8/33	\$169.27	4248-015	8/33	\$169.27
4248-025	3836U	8"	9.05	8/40	\$215.73	4248-027	8/39	\$215.73
4248-037	3836U	10"	11.10	6/33	\$282.24	4248-039	6/33	\$282.24
4248-049	3836U	12"	13.20	6/38	\$300.67	4248-051	6/37	\$300.67

Service Saddles & Repair Clamps



## 3845 AWWA TAP / 3846 FNPT TAP

**CAST IRON O.D. PVC PIPE (AWWA C900, C905, C909), WIDE STAINLESS STEEL SINGLE BAND SADDLES WITH BRASS TOP**

A.Y. McDonald Mfg. Co. 3845, 3845A or B / 3846, 3846 A or B Wide Stainless Steel Band Brass Service Saddles are designed for use on service line connections to cast iron O.D. PVC pipe AWWA C-900/ C905/C909 water mains. The pressure capabilities equal, but do not exceed, the working pressure rating of the pipe up to 200 PSIG.

### MATERIALS

- Body** - 85-5-5-5 cast brass per ASTM B62
  - Band and Studs** - 304 Stainless Steel
  - Nuts and Washers** - 304 Stainless Steel
- Nuts are supplied with Fluorocarbon coating

### NOTES

- Order Saddles by Model Number, Nominal Pipe Size and Tap Size (**Example: 3845 8" x 1"**).
- All Saddles have Pipe O.D. identification.
- All A.Y. McDonald Service Saddles meet A.W.W.A. standards.
- Use on cold water services only.

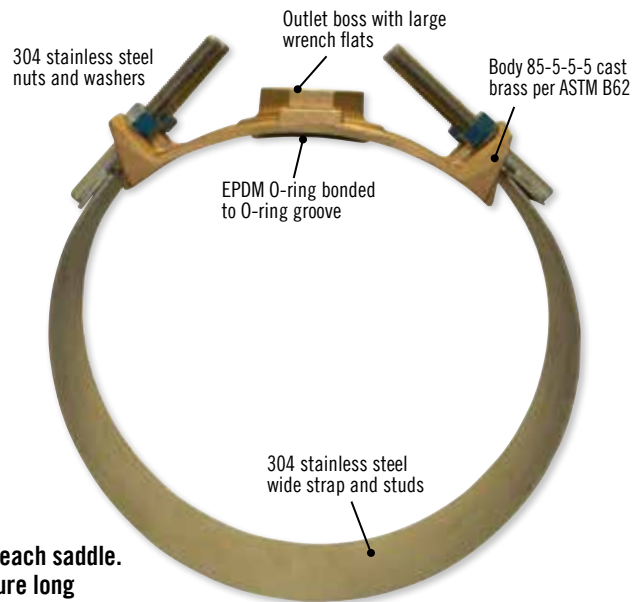
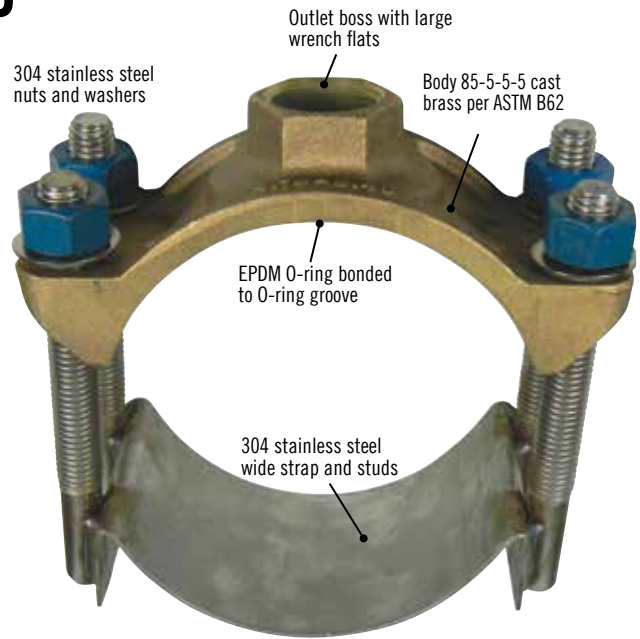
### OPTIONS

- Contact factory for 1/2" or 1 1/4" tapped saddles.
- Contact factory for availability BSPT (British Standard Pipe Taper Thread) tapped saddles.
- EPDM Flat gasket in place of EPDM O-Ring - add "F" to end of model number i.e. 3845 = 3845F (price is the same as EPDM O-ring style).
- 316 Stainless Steel Bands - add "-316" at end of model number i.e. 3835 = 3845-316 (contact factory for pricing and availability)
- Viton® O-rings - add "V" to end of model number i.e. 3845 = 3845V (see below for pricing)

**Viton® O-ring adder "V"**

3/4".....	\$14.47
1".....	\$14.47
1 1/2".....	\$20.93
2".....	\$20.93

**Installation instructions are provided with each saddle. Please read and follow instructions to ensure long lasting performance.**



### 3845

### AWWA TAP

Part No.	Model	Nominal		3/4"		1"		1 1/2"		2"				
		Size	Pipe O.D.	CTN/WT	Price	CTN/WT	Price	CTN/WT	Price	CTN/WT	Price			
4148-040	3845	4"	4.80	5/31	\$225.38	4148-042	5/30	\$225.38	4148-044	5/37	\$262.83	4148-046	5/38	\$271.80
4148-048	3845	6"	6.90	5/36	\$265.41	4148-050	5/35	\$265.41	4148-052	5/42	\$303.46	4148-054	5/43	\$316.76
4148-056	3845	8"	9.05	5/40	\$328.55	4148-058	5/40	\$328.55	4148-060	4/36	\$345.80	4148-062	4/37	\$357.66
4148-064	3845	10"	11.10	3/28	\$406.97	4148-066	3/29	\$406.97	4148-068	3/33	\$446.98	4148-070	3/34	\$455.99
4148-072	3845	12"	13.20	3/33	\$452.52	4148-074	3/30	\$452.52	4148-076	3/36	\$510.32	4148-078	3/36	\$519.68
4148-290	3845A	14"	15.30 - 16.25	1/22	\$625.15	4148-288	1/19	\$625.15	4148-286	1/21	\$625.15	4148-284	1/22	\$625.15
4148-298	3845B	14"	16.30 - 17.25	1/22	\$666.33	4148-296	1/22	\$666.33	4148-294	1/22	\$666.33	4148-292	1/19	\$666.33
4148-306	3845A	16"	17.40 - 18.40	1/23	\$705.54	4148-304	1/24	\$705.54	4148-302	1/20	\$705.54	4148-300	1/20	\$705.54
4148-314	3845B	16"	18.50 - 19.25	1/22	\$705.54	4148-312	1/22	\$705.54	4148-310	1/22	\$705.54	4148-308	1/21	\$705.54
4148-322	3845	18"	19.50 - 20.50	1/28	\$813.18	4148-320	1/21	\$813.18	4148-318	1/23	\$813.18	4148-316	1/21	\$813.18
4148-330	3845A	20"	21.20 - 22.20	1/23	\$836.58	4148-328	1/23	\$836.58	4148-326	1/23	\$836.58	4148-324	1/21	\$836.58
4148-338	3845B	20"	22.50 - 23.50	1/24	\$861.83	4148-336	1/23	\$861.83	4148-334	1/24	\$861.83	4148-332	1/24	\$861.83
4148-346	3845A	24"	23.80 - 24.80	1/25	\$897.81	4148-344	1/25	\$897.81	4148-342	1/25	\$897.81	4148-340	1/25	\$897.81
4148-354	3845B	24"	25.60 - 26.50	1/25	\$918.55	4148-352	1/28	\$918.55	4148-350	1/24	\$918.55	4148-348	1/24	\$918.55
4148-362	3845	30"	31.74 - 32.74	1/30	\$1,031.08	4148-360	1/30	\$1,031.08	4148-358	1/30	\$1,031.08	4148-356	1/28	\$1,031.08



Service Saddles & Repair Clamps



# 3845 AWWA TAP / 3846 FNPT TAP

CAST IRON O.D. PVC PIPE (AWWA C900, C905, C909), WIDE STAINLESS STEEL SINGLE BAND SADDLES WITH BRASS TOP

**3846**

FNPT TAP															
Part No.	Model	Nominal Size	Pipe O.D.	CTN/WT	3/4" Price	Part No.	1" CTN/WT	Price	Part No.	1 1/2" CTN/WT	Price	Part No.	2" CTN/WT	Price	
4148-041	3846	4"	4.80	5/31	\$225.38	4148-043	5/30	\$225.38	4148-045	5/38	\$262.83	4148-047	5/36	\$271.80	
4148-049	3846	6"	6.90	5/36	\$265.41	4148-051	5/36	\$265.41	4148-053	5/42	\$303.46	4148-055	5/40	\$316.76	
4148-057	3846	8"	9.05	5/41	\$328.55	4148-059	5/40	\$328.55	4148-061	4/38	\$345.80	4148-063	4/36	\$357.66	
4148-065	3846	10"	11.10	3/29	\$406.97	4148-067	3/29	\$406.97	4148-069	3/32	\$446.98	4148-071	3/31	\$455.99	
4148-073	3846	12"	13.20	3/33	\$452.52	4148-075	3/33	\$452.52	4148-077	3/36	\$510.32	4148-079	3/35	\$519.68	
4148-291	3846A	14"	15.30 - 16.25	1/22	\$625.15	4148-289	1/19	\$625.15	4148-287	1/21	\$625.15	4148-285	1/21	\$625.15	
4148-299	3846B	14"	16.30 - 17.25	1/21	\$666.33	4148-297	1/20	\$666.33	4148-295	1/22	\$666.33	4148-293	1/22	\$666.33	
4148-307	3846A	16"	17.40 - 18.40	1/21	\$705.54	4148-305	1/21	\$705.54	4148-303	1/20	\$705.54	4148-301	1/20	\$705.54	
4148-315	3846B	16"	18.50 - 19.25	1/22	\$705.54	4148-313	1/22	\$705.54	4148-311	1/22	\$705.54	4148-309	1/22	\$705.54	
4148-323	3846	18"	19.50 - 20.50	1/22	\$813.18	4148-321	1/26	\$813.18	4148-319	1/23	\$813.18	4148-317	1/21	\$813.18	
4148-331	3846A	20"	21.20 - 22.20	1/22	\$836.58	4148-329	1/23	\$836.58	4148-327	1/22	\$836.58	4148-325	1/22	\$836.58	
4148-339	3846B	20"	22.50 - 23.50	1/24	\$861.83	4148-337	1/24	\$861.83	4148-335	1/24	\$861.83	4148-333	1/24	\$861.83	
4148-347	3846A	24"	23.80 - 24.80	1/25	\$897.81	4148-345	1/25	\$897.81	4148-343	1/25	\$897.81	4148-341	1/24	\$897.81	
4148-355	3846B	24"	25.60 - 26.50	1/25	\$918.55	4148-353	1/25	\$918.55	4148-351	1/25	\$918.55	4148-349	1/29	\$918.55	
4148-363	3846	30"	31.74 - 32.74	1/30	\$1,031.08	4148-361	1/30	\$1,031.08	4148-359	1/30	\$1,031.08	4148-357	1/30	\$1,031.08	

# 3845U AWWA TAP / 3846U FNPT TAP

CAST IRON O.D. PVC PIPE (AWWA C900, C905, C909), WIDE STAINLESS STEEL SINGLE BAND SADDLES WITH BRASS TOP

**3845U - American Made**

AWWA TAP															
Part No.	Model	Nominal Size	Pipe O.D.	CTN/WT	3/4" Price	Part No.	1" CTN/WT	Price	Part No.	1 1/2" CTN/WT	Price	Part No.	2" CTN/WT	Price	
4248-060	3845U	4"	4.80	5/31	\$252.42	4248-060	5/30	\$252.42	4248-064	5/37	\$294.37	4248-066	5/38	\$304.42	
4248-068	3845U	6"	6.90	5/36	\$297.26	4248-070	5/35	\$297.26	4248-072	5/42	\$339.88	4248-074	5/43	\$354.77	
4248-076	3845U	8"	9.05	5/40	\$367.98	4248-076	5/40	\$367.98	4248-080	4/36	\$387.30	4248-082	4/37	\$400.58	
4248-084	3845U	10"	11.10	3/28	\$455.81	4248-084	3/29	\$455.81	4248-089	3/33	\$500.62	4248-091	3/34	\$510.70	
4248-093	3845U	12"	13.20	3/33	\$506.83	4248-093	3/30	\$506.83	4248-097	3/36	\$571.55	4248-099	3/36	\$582.04	
4248-107	3845AU	14"	15.30 - 16.25	1/22	\$1,103.02	4248-107	1/19	\$1,103.02	4248-103	1/21	\$1,186.47	4248-101	1/22	\$1,235.21	
4248-115	3845BU	14"	16.30 - 17.25	1/22	\$1,259.68	4248-115	1/22	\$1,259.68	4248-111	1/22	\$1,353.22	4248-109	1/19	\$1,511.36	
4248-123	3845AU	16"	17.40 - 18.40	1/23	\$1,333.72	4248-123	1/24	\$1,333.72	4248-119	1/20	\$1,415.20	4248-117	1/20	\$1,564.00	
4248-131	3845BU	16"	18.50 - 19.25	1/22	\$1,333.72	4248-131	1/22	\$1,333.72	4248-127	1/22	\$1,415.20	4248-125	1/21	\$1,564.00	
4248-139	3845U	18"	19.50 - 20.50	1/28	\$1,570.89	4248-139	1/21	\$1,570.89	4248-135	1/23	\$1,570.89	4248-133	1/21	\$1,570.89	
4248-147	3845AU	20"	21.20 - 22.20	1/23	\$1,616.53	4248-147	1/23	\$1,616.53	4248-143	1/23	\$1,616.53	4248-141	1/21	\$1,616.53	
4248-155	3845BU	20"	22.50 - 23.50	1/24	\$1,664.86	4248-155	1/23	\$1,664.86	4248-151	1/24	\$1,664.86	4248-149	1/24	\$1,664.86	
4248-163	3845AU	24"	23.80 - 24.80	1/25	\$1,734.33	4248-163	1/25	\$1,734.33	4248-159	1/25	\$1,734.33	4248-157	1/25	\$1,734.33	
4248-171	3845BU	24"	25.60 - 26.50	1/25	\$1,776.12	4248-171	1/28	\$1,776.12	4248-167	1/24	\$1,776.12	4248-165	1/24	\$1,776.12	
4248-179	3845U	30"	31.74 - 32.74	1/30	\$1,865.19	4248-179	1/30	\$1,865.19	4248-175	1/30	\$1,865.19	4248-173	1/28	\$1,865.19	

**3846U - American Made**

FNPT TAP															
Part No.	Model	Nominal Size	Pipe O.D.	CTN/WT	3/4" Price	Part No.	1" CTN/WT	Price	Part No.	1 1/2" CTN/WT	Price	Part No.	2" CTN/WT	Price	
4248-061	3846U	4"	4.80	5/31	\$252.42	4248-063	5/30	\$252.42	4248-065	5/38	\$294.37	4248-067	5/36	\$304.42	
4248-069	3846U	6"	6.90	5/36	\$297.26	4248-071	5/36	\$297.26	4248-073	5/42	\$339.88	4248-075	5/40	\$354.77	
4248-077	3846U	8"	9.05	5/41	\$367.98	4248-079	5/40	\$367.98	4248-081	4/38	\$387.30	4248-083	4/36	\$400.58	
4248-085	3846U	10"	11.10	3/29	\$455.81	4248-087	3/29	\$455.81	4248-090	3/32	\$500.62	4248-092	3/31	\$510.70	
4248-094	3846U	12"	13.20	3/33	\$506.83	4248-096	3/33	\$506.83	4248-098	3/36	\$571.55	4248-100	3/35	\$582.04	
4248-108	3846AU	14"	15.30 - 16.25	1/22	\$1,103.02	4248-106	1/19	\$1,103.02	4248-104	1/21	\$1,186.47	4248-102	1/21	\$1,235.21	
4248-116	3846BU	14"	16.30 - 17.25	1/21	\$1,259.68	4248-114	1/20	\$1,259.68	4248-112	1/22	\$1,353.22	4248-110	1/22	\$1,511.36	
4248-124	3846AU	16"	17.40 - 18.40	1/21	\$1,333.72	4248-122	1/21	\$1,333.72	4248-120	1/20	\$1,415.20	4248-118	1/20	\$1,564.00	
4248-132	3846BU	16"	18.50 - 19.25	1/22	\$1,333.72	4248-130	1/22	\$1,333.72	4248-128	1/22	\$1,415.20	4248-126	1/22	\$1,564.00	
4248-140	3846U	18"	19.50 - 20.50	1/22	\$1,570.89	4248-138	1/26	\$1,570.89	4248-136	1/23	\$1,570.89	4248-134	1/21	\$1,570.89	
4248-148	3846AU	20"	21.20 - 22.20	1/22	\$1,616.53	4248-146	1/23	\$1,616.53	4248-144	1/22	\$1,616.53	4248-142	1/22	\$1,616.53	
4248-156	3846BU	20"	22.50 - 23.50	1/24	\$1,664.86	4248-154	1/24	\$1,664.86	4248-152	1/24	\$1,664.86	4248-150	1/24	\$1,664.86	
4248-164	3846AU	24"	23.80 - 24.80	1/25	\$1,734.33	4248-162	1/25	\$1,734.33	4248-160	1/25	\$1,734.33	4248-158	1/24	\$1,734.33	
4248-172	3846BU	24"	25.60 - 26.50	1/25	\$1,776.12	4248-170	1/25	\$1,776.12	4248-168	1/25	\$1,776.12	4248-166	1/29	\$1,776.12	
4248-180	3846U	30"	31.74 - 32.74	1/30	\$1,865.19	4248-178	1/30	\$1,865.19	4248-176	1/30	\$1,865.19	4248-174	1/30	\$1,865.19	

Service Saddles & Repair Clamps



## 3855 AWWA TAP / 3856 FNPT TAP

CAST IRON O.D. PVC PIPE (AWWA C900, C909), STAINLESS STEEL DOUBLE BAND SADDLES WITH BRASS TOP

A.Y. McDonald Mfg. Co. 3855 / 3856 Stainless Steel Double Band Brass Service Saddles are designed for use on service line connections to cast iron O.D. PVC pipe AWWA C-900/C909 water mains. The pressure capabilities equal, but do not exceed, the working pressure rating of the pipe up to 200 PSIG.

### MATERIALS

**Body** - 85-5-5-5 cast brass per ASTM B62

**Band and Studs** - 304 Stainless Steel

**Nuts and Washers** - 304 Stainless Steel

Nuts are supplied with Fluorocarbon coating

### NOTES

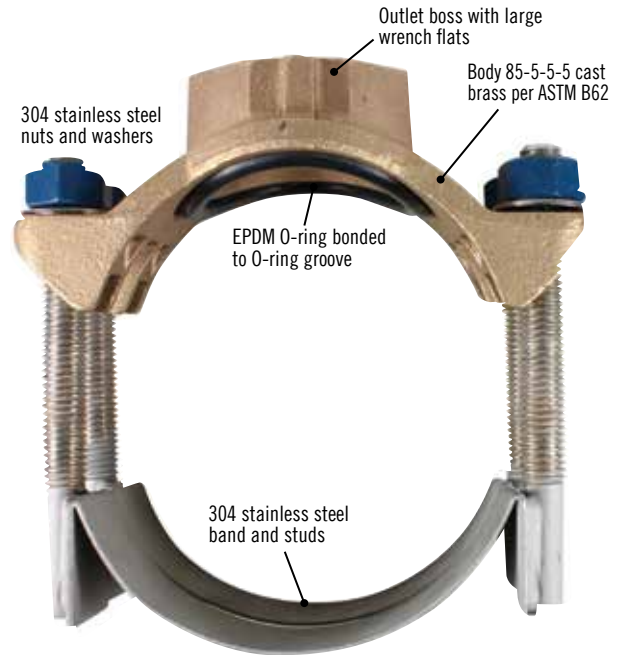
- Order Saddles by Model Number, Nominal Pipe Size and Tap Size (**Example: 3855 8" x 1"**).
- All Saddles have Pipe O.D. identification.
- All A.Y. McDonald Service Saddles meet A.W.W.A. standards.
- Use on cold water services only.

### OPTIONS

- Contact factory for 1/2" or 1 1/4" tapped saddles.
- Contact factory for availability BSPT (British Standard Pipe Taper Thread) tapped saddles.
- EPDM Flat gasket in place of EPDM O-Ring - add "F" to end of model number i.e. 3855 = 3855F (price is the same as EPDM O-ring style).
- 316 Stainless Steel Bands - add "-316" at end of model number i.e. 3855 = 3855-316 (contact factory for pricing and availability)
- Viton® O-rings - add "V" to end of model number i.e. 3855 = 3855V (see below for pricing)

**Viton® O-ring adder "V"**

3/4" .....	\$14.47
1" .....	\$14.47
1 1/2" .....	\$20.93
2" .....	\$20.93



**Installation instructions are provided with each saddle. Please read and follow instructions to ensure long lasting performance.**



# 3855 AWWA TAP / 3856 FNPT TAP

CAST IRON O.D. PVC PIPE (AWWA C900, C909), STAINLESS STEEL  
DOUBLE BAND SADDLES WITH BRASS TOP

## 3855

AWWA TAP														
Part No.	Model	Nominal Size	Pipe O.D.	3/4"		1"			1 1/2"			2"		
				CTN/WT	Price	Part No.	CTN/WT	Price	Part No.	CTN/WT	Price	Part No.	CTN/WT	Price
4148-163	3855	4"	4.80	5/30	\$225.38	4148-165	5/31	\$225.38	4148-183	5/37	\$262.83	4148-185	5/39	\$271.80
4148-167	3855	6"	6.90	5/36	\$265.41	4148-169	5/36	\$265.41	4148-187	5/42	\$303.46	4148-189	5/43	\$316.76
4148-171	3855	8"	9.05	5/43	\$328.55	4148-173	5/41	\$328.55	4148-191	4/39	\$345.80	4148-193	4/39	\$357.96
4148-175	3855	10"	11.10	3/30	\$408.87	4148-177	3/30	\$408.87	4148-195	3/34	\$446.98	4148-197	3/33	\$455.99
4148-179	3855	12"	13.20	3/34	\$452.52	4148-181	3/33	\$452.52	4148-199	3/39	\$510.32	4148-201	3/37	\$519.68

## 3856

FNPT TAP														
Part No.	Model	Nominal Size	Pipe O.D.	3/4"		1"			1 1/2"			2"		
				CTN/WT	Price	Part No.	CTN/WT	Price	Part No.	CTN/WT	Price	Part No.	CTN/WT	Price
4148-164	3856	4"	4.80	5/32	\$225.38	4148-166	5/31	\$225.38	4148-184	5/37	\$262.83	4148-186	5/37	\$271.80
4148-168	3856	6"	6.90	5/37	\$265.41	4148-170	5/36	\$265.41	4148-188	5/43	\$303.46	4148-190	5/42	\$316.76
4148-172	3856	8"	9.05	5/43	\$328.55	4148-174	5/43	\$328.55	4148-192	4/39	\$345.80	4148-194	4/38	\$357.96
4148-176	3856	10"	11.10	3/30	\$408.87	4148-178	3/30	\$408.87	4148-196	3/34	\$446.98	4148-198	3/33	\$455.99
4148-180	3856	12"	13.20	3/33	\$452.52	4148-182	3/33	\$452.52	4148-200	3/37	\$510.32	4148-202	3/36	\$519.68

# 3855U AWWA TAP / 3856U FNPT TAP

CAST IRON O.D. PVC PIPE (AWWA C900, C909), STAINLESS STEEL  
DOUBLE BAND SADDLES WITH BRASS TOP

## 3855U - American Made

AWWA TAP														
Part No.	Model	Nominal Size	Pipe O.D.	3/4"		1"			1 1/2"			2"		
				CTN/WT	Price	Part No.	CTN/WT	Price	Part No.	CTN/WT	Price	Part No.	CTN/WT	Price
4248-004	3855U	4"	4.80	5/30	\$252.42	4248-006	5/31	\$252.42	4248-008	5/37	\$294.37	4248-010	5/39	\$304.42
4248-016	3855U	6"	6.90	5/36	\$297.26	4248-018	5/36	\$297.26	4248-020	5/42	\$339.88	4248-022	5/43	\$354.77
4248-028	3855U	8"	9.05	5/43	\$367.98	4248-030	5/41	\$367.98	4248-032	4/39	\$387.30	4248-034	4/39	\$400.92
4248-040	3855U	10"	11.10	3/30	\$457.93	4248-042	3/30	\$457.93	4248-044	3/34	\$500.62	4248-046	3/33	\$510.70
4248-052	3855U	12"	13.20	3/34	\$506.83	4248-054	3/33	\$506.83	4248-056	3/39	\$571.55	4248-058	3/37	\$582.04

## 3856U - American Made

FNPT TAP														
Part No.	Model	Nominal Size	Pipe O.D.	3/4"		1"			1 1/2"			2"		
				CTN/WT	Price	Part No.	CTN/WT	Price	Part No.	CTN/WT	Price	Part No.	CTN/WT	Price
4248-005	3856U	4"	4.80	5/32	\$252.42	4248-007	5/31	\$252.42	4248-009	5/37	\$294.37	4248-011	5/37	\$304.42
4248-017	3856U	6"	6.90	5/37	\$297.26	4248-019	5/36	\$297.26	4248-021	5/43	\$339.88	4248-023	5/42	\$354.77
4248-029	3856U	8"	9.05	5/43	\$367.98	4248-031	5/43	\$367.98	4248-033	4/39	\$387.30	4248-035	4/38	\$400.92
4248-041	3856U	10"	11.10	3/30	\$457.93	4248-043	3/30	\$457.93	4248-045	3/34	\$500.62	4248-047	3/33	\$510.70
4248-053	3856U	12"	13.20	3/33	\$506.83	4248-055	3/33	\$506.83	4248-057	3/37	\$571.55	4248-059	3/36	\$582.04

Service Saddles & Repair Clamps



## 4815A AWWA TAP / 4816A FNPT TAP, 4825A AWWA TAP / 4826A FNPT TAP

**DUCTILE IRON, CAST IRON O.D. PIPE, SINGLE OR DOUBLE STEEL BALE SADDLES WITH DUCTILE IRON TOP WITH EPOXY COATING**

A.Y. McDonald Mfg. Co. Model 4815A / 4816A Single Steel Bale and 4825A / 4826A Double Steel Bale Ductile Iron Service Saddles are designed for use on service line connections to ductile iron or cast iron O.D. pipe water mains. The pressure capabilities equal, but do not exceed, the working pressure rating of the pipe up to 200 PSIG.

### MATERIALS

**Body** - Ductile Iron

**Coating** - Fusion Epoxy

**Bale** - Zinc Plated Steel

**Nuts** - Fluorocarbon coated 304 Stainless Steel

**Washer** - 304 Stainless Steel

### NOTES

- Order Saddles by Model Number, Nominal Pipe Size and Tap Size (**Example: 4815A 8" x 1"**).
- All Saddles have Pipe O.D. identification.
- All A.Y. McDonald Service Saddles meet A.W.W.A. standards.
- Use on cold water services only.

### OPTIONS

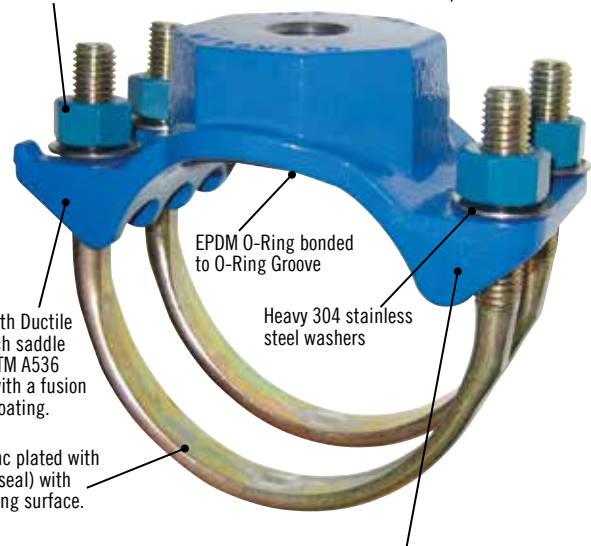
- Contact factory for 1/2" or 1 1/4" tapped saddles.
- Contact factory for availability BSPT (British Standard Pipe Taper Thread) tapped saddles.
- EPDM Flat gasket in place of EPDM O-Ring - add "F" to end of model number i.e. 4815A = 4815AF (price is the same as EPDM O-ring style).
- Viton® O-rings - add "V" to end of model number i.e. 4815A = 4815AV (see below for pricing)

**Viton® O-ring adder "V"**

3/4".....	\$14.47
1".....	\$14.47
1 1/2".....	\$20.93
2".....	\$20.93

Heavy hex nuts are 304 stainless steel with a blue Fluorocarbon coating for easy of assembly.

Identification for size, type, visible & permanent.



The high strength Ductile Iron body of each saddle is made per ASTM A536 and is coated with a fusion applied epoxy coating.

5/8" steel (Zinc plated with a dichromate seal) with 7/8" flat bearing surface.

One side of the saddle has closed lugs to allow for pre-assembly, the other side has tapered open lugs with nubs to assist and make installation easier.

Installation instructions are provided with each saddle. Please read and follow instructions to ensure long lasting performance.



**Single Bale**  
4815A AWWA Tap  
4816A FNPT TAP



**Double Bale**  
4825A AWWA Tap  
4826A FNPT TAP

### 4815A Single Steel Bale

		AWWA TAP												
		1/2"				3/4"			1"			1 1/4"		
Part No.	Model	Nominal Size	Pipe O.D.	CTN/WT	Price	Part No.	CTN/WT	Price	Part No.	CTN/WT	Price	Part No.	CTN/WT	Price
	4815A	4"	4.50 - 4.80	4/26	\$50.24	4178-001	4/26	\$50.24	4178-003	4/26	\$50.24	4178-005	4/26	\$62.99
	4815A	6"	6.63 - 6.90	4/29	\$58.20	4178-031	4/29	\$58.20	4178-033	4/28	\$58.20	4178-035	4/27	\$68.38
	4815A	8"	8.63 - 9.05	3/25	\$69.04	4178-061	3/25	\$69.04	4178-063	3/25	\$69.04	4178-065	3/28	\$82.42
	4815A	10"	10.75 - 11.10	3/27	\$76.68	4178-081	3/27	\$76.68	4178-083	3/32	\$76.68	4178-085	3/31	\$93.68
	4815A	12"	12.75 - 13.20	3/35	\$88.70	4178-101	3/35	\$88.70	4178-103	3/38	\$88.70	4178-105	3/31	\$108.91

		1 1/2"				2"		
Part No.	Model	Nominal Size	Pipe O.D.	CTN/WT	Price	Part No.	CTN/WT	Price
4178-007	4815A	4"	4.50 - 4.80	4/24	\$62.99	4178-009	4/23	\$62.99
4178-037	4815A	6"	6.63 - 6.90	4/27	\$68.38	4178-039	4/25	\$68.38
4178-067	4815A	8"	8.63 - 9.05	3/23	\$82.42	4178-069	3/28	\$82.42
4178-087	4815A	10"	10.75 - 11.10	3/31	\$93.68	4178-089	3/31	\$93.68
4178-107	4815A	12"	12.75 - 13.20	3/34	\$108.91	4178-109	3/27	\$108.91

Service Saddles & Repair Clamps



# 4815A AWWA TAP / 4816A FNPT TAP, 4825A AWWA TAP / 4826A FNPT TAP

DUCTILE IRON, CAST IRON O.D. PIPE, SINGLE OR DOUBLE STEEL BALE  
SADDLES WITH DUCTILE IRON TOP WITH EPOXY COATING

## 4816A Single Steel Bale

FNPT TAP														
Part No.	Model	Nominal Size	Pipe O.D.	1/2"		3/4"			1"			1 1/4"		
				CTN/WT	Price	Part No.	CTN/WT	Price	Part No.	CTN/WT	Price	Part No.	CTN/WT	Price
	4816A	4"	4.50 - 4.80	4/26	\$50.24	4178-000	4/26	\$50.24	4178-002	4/26	\$50.24	4178-004	4/29	\$62.99
	4816A	6"	6.63 - 6.90	4/31	\$58.20	4178-030	4/31	\$58.20	4178-032	4/29	\$58.20	4178-034	4/28	\$68.38
	4816A	8"	8.63 - 9.05	3/25	\$69.04	4178-060	3/25	\$69.04	4178-062	3/29	\$69.04	4178-064	3/28	\$82.42
	4816A	10"	10.75 - 11.10	3/27	\$76.68	4178-080	3/27	\$76.68	4178-082	3/32	\$76.68	4178-084	3/31	\$93.68
	4816A	12"	12.75 - 13.20	3/35	\$88.70	4178-100	3/35	\$88.70	4178-102	3/30	\$88.70	4178-104	3/34	\$108.91

Part No.	Model	Nominal Size	Pipe O.D.	1 1/2"		2"		
				CTN/WT	Price	Part No.	CTN/WT	Price
4178-006	4816A	4"	4.50 - 4.80	4/25	\$62.99	4178-008	4/24	\$62.99
4178-036	4816A	6"	6.63 - 6.90	4/28	\$68.38	4178-038	4/26	\$68.38
4178-066	4816A	8"	8.63 - 9.05	3/24	\$82.42	4178-068	3/25	\$82.42
4178-086	4816A	10"	10.75 - 11.10	3/31	\$93.68	4178-088	3/25	\$93.68
4178-106	4816A	12"	12.75 - 13.20	3/34	\$108.91	4178-108	3/31	\$108.91

## 4825A Double Steel Bale

AWWA TAP														
Part No.	Model	Nominal Size	Pipe O.D.	1/2"		3/4"			1"			1 1/4"		
				CTN/WT	Price	Part No.	CTN/WT	Price	Part No.	CTN/WT	Price	Part No.	CTN/WT	Price
	4825A	4"	4.50 - 4.80	4/32	\$66.05	4178-121	4/32	\$66.05	4178-123	4/31	\$66.05	4178-125	4/31	\$75.19
	4825A	6"	6.63 - 6.90	4/35	\$76.04	4178-151	4/35	\$76.04	4178-153	4/35	\$76.04	4178-155	4/34	\$86.77
	4825A	8"	8.63 - 9.05	3/30	\$85.95	4178-181	3/30	\$85.95	4178-183	3/31	\$85.95	4178-185	3/30	\$95.07
	4825A	10"	10.75 - 11.10	3/33	\$113.16	4178-201	3/33	\$113.16	4178-203	3/33	\$113.16	4178-205	3/38	\$129.21
	4825A	12"	12.75 - 13.20	3/39	\$135.37	4178-221	3/39	\$135.37	4178-223	3/38	\$135.37	4178-225	3/42	\$151.31

Part No.	Model	Nominal Size	Pipe O.D.	1 1/2"		2"		
				CTN/WT	Price	Part No.	CTN/WT	Price
4178-127	4825A	4"	4.50 - 4.80	4/30	\$75.19	4178-129	4/28	\$75.19
4178-157	4825A	6"	6.63 - 6.90	4/32	\$86.77	4178-159	4/33	\$86.77
4178-187	4825A	8"	8.63 - 9.05	3/31	\$95.07	4178-189	3/28	\$95.07
4178-207	4825A	10"	10.75 - 11.10	3/31	\$129.21	4178-209	3/30	\$129.21
4178-227	4825A	12"	12.75 - 13.20	3/37	\$151.31	4178-229	3/36	\$151.31

## 4826A Double Steel Bale

FNPT TAP														
Part No.	Model	Nominal Size	Pipe O.D.	1/2"		3/4"			1"			1 1/4"		
				CTN/WT	Price	Part No.	CTN/WT	Price	Part No.	CTN/WT	Price	Part No.	CTN/WT	Price
	4826A	4"	4.50 - 4.80	4/32	\$66.05	4178-120	4/32	\$66.05	4178-122	4/33	\$66.05	4178-124	4/31	\$75.19
	4826A	6"	6.63 - 6.90	4/37	\$76.04	4178-150	4/37	\$76.04	4178-152	4/33	\$76.04	4178-154	4/34	\$86.77
	4826A	8"	8.63 - 9.05	3/33	\$85.95	4178-180	3/33	\$85.95	4178-182	3/32	\$85.95	4178-184	3/30	\$95.07
	4826A	10"	10.75 - 11.10	3/32	\$113.16	4178-200	3/32	\$113.16	4178-202	3/33	\$113.16	4178-204	3/38	\$129.21
	4826A	12"	12.75 - 13.20	3/42	\$135.37	4178-220	3/42	\$135.37	4178-222	3/39	\$135.37	4178-224	3/42	\$151.31

Part No.	Model	Nominal Size	Pipe O.D.	1 1/2"		2"		
				CTN/WT	Price	Part No.	CTN/WT	Price
4178-126	4826A	4"	4.50 - 4.80	4/31	\$75.19	4178-128	4/31	\$75.19
4178-156	4826A	6"	6.63 - 6.90	4/36	\$86.77	4178-158	4/32	\$86.77
4178-186	4826A	8"	8.63 - 9.05	3/32	\$95.07	4178-188	3/30	\$95.07
4178-206	4826A	10"	10.75 - 11.10	3/38	\$129.21	4178-208	3/33	\$129.21
4178-226	4826A	12"	12.75 - 13.20	3/42	\$151.31	4178-228	3/36	\$151.31

Service Saddles & Repair Clamps





## 4835A AWWA TAP / 4836A FNPT TAP, 4845A AWWA TAP / 4846A FNPT TAP & 4855A AWWA TAP / 4856A FNPT TAP

**CAST IRON O.D., PVC PIPE (AWWA C900, C909) SINGLE, WIDE OR DOUBLE STAINLESS STEEL BAND SADDLES WITH DUCTILE IRON TOP WITH EPOXY COATING**

A.Y. McDonald Mfg. Co. Model 4835A / 4836A Single Stainless Steel Band, 4845A / 4846A Wide Stainless Steel Band and 4855A / 4856A Double Stainless Steel Band Ductile Iron Service Saddles are designed for use on service line connections to Cast Iron O.D. and PVC (AWWA C900/C909) water mains. The pressure capabilities equal, but do not exceed, the working pressure rating of the pipe up to 200 PSIG.

### MATERIALS

- Body** - Ductile Iron
- Coating** - Fusion Epoxy
- Band** - Stainless Steel
- Nuts** - Fluorocarbon coated 304 Stainless Steel
- Washer** - 304 Stainless Steel

### NOTES

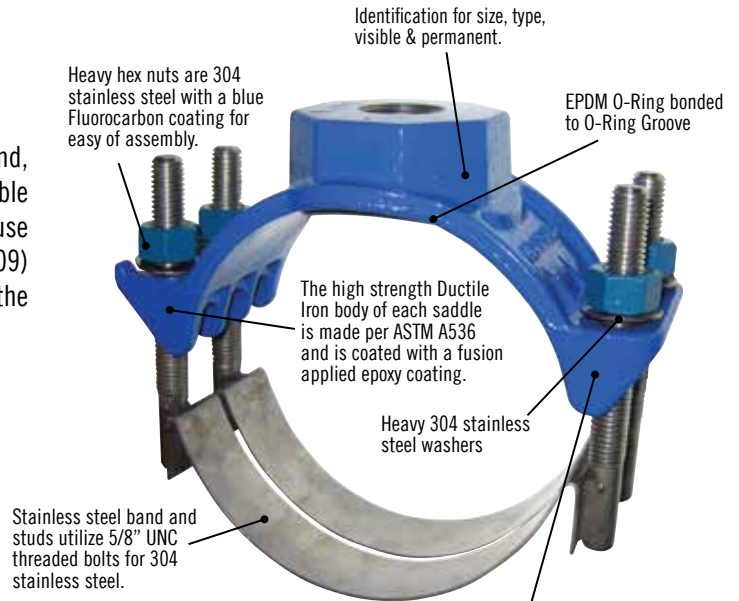
- Order Saddles by Model Number, Nominal Pipe Size and Tap Size (**Example: 4835A 8" x 1"**).
- All Saddles have Pipe O.D. size identification.
- All A.Y. McDonald Service Saddles meet A.W.W.A. standards.
- Use on cold water services only.

### OPTIONS

- Contact factory for 1/2" or 1 1/4" tapped saddles.
- Contact factory for availability BSPT (British Standard Pipe Taper Thread) tapped saddles.
- EPDM Flat gasket in place of EPDM O-Ring - add "F" to end of model number i.e. 4815A = 4815AF (price is the same as EPDM O-ring style).
- Viton® O-rings - add "V" to end of model number i.e. 4835A = 4835AV (see below for pricing)

**Viton® O-ring adder "V"**

3/4" .....	\$14.47
1" .....	\$14.47
1 1/2" .....	\$20.93
2" .....	\$20.93



One side of the saddle has closed lugs to allow for pre-assembly, the other side has tapered open lugs with nubs to assist and make installation easier.

Installation instructions are provided with each saddle. Please read and follow instructions to ensure long lasting performance.



### 4835A Single Stainless Steel Band

		AWWA TAP												
Part No.	Model	Nominal Size	Pipe O.D.	1/2"		3/4"		1"		1 1/4"				
				CTN/WT	Price	Part No.	CTN/WT	Price	Part No.	CTN/WT	Price			
	4835A	4"	4.50 - 4.80	4/27	\$82.00	4178-240	4/27	\$82.00	4178-241	4/27	\$82.00	4178-242	4/26	\$112.63
	4835A	6"	6.63 - 6.90	4/31	\$87.79	4178-245	4/31	\$87.79	4178-246	4/31	\$87.79	4178-247	4/36	\$107.92
	4835A	8"	8.63 - 9.05	3/27	\$100.21	4178-250	3/27	\$100.21	4178-251	3/26	\$100.21	4178-252	3/26	\$122.37
	4835A	10"	10.75 - 11.10	3/26	\$114.92	4178-255	3/26	\$114.92	4178-256	3/27	\$114.92	4178-257	3/31	\$148.94
	4835A	12"	12.75 - 13.20	3/31	\$131.81	4178-260	3/31	\$131.81	4178-261	3/31	\$131.81	4178-262	3/34	\$209.53

Part No.	Model	Nominal Size	Pipe O.D.	1 1/2"		2"		
				CTN/WT	Price	Part No.	CTN/WT	Price
4178-243	4835A	4"	4.50 - 4.80	4/26	\$112.63	4178-244	4/24	\$112.63
4178-248	4835A	6"	6.63 - 6.90	4/27	\$107.92	4178-249	4/28	\$107.92
4178-253	4835A	8"	8.63 - 9.05	3/25	\$122.37	4178-254	3/24	\$122.37
4178-258	4835A	10"	10.75 - 11.10	3/25	\$148.94	4178-259	3/23	\$148.94
4178-263	4835A	12"	12.75 - 13.20	3/35	\$209.53	4178-264	3/26	\$209.53

Service Saddles & Repair Clamps





# 4835A AWWA TAP / 4836A FNPT TAP, 4845A AWWA TAP / 4846A FNPT TAP & 4855A AWWA TAP / 4856A FNPT TAP

CAST IRON O.D., PVC PIPE (AWWA C900, C909) SINGLE, WIDE OR DOUBLE STAINLESS STEEL BAND SADDLES WITH DUCTILE IRON TOP WITH EPOXY COATING

## 4836A Single Stainless Steel Band

						FNPT TAP								
Part No.	Model	Nominal Size	Pipe O.D.	1/2"	Price	Part No.	3/4"	Price	Part No.	1"	Price	Part No.	1 1/4"	Price
				CTN/WT			CTN/WT			CTN/WT			CTN/WT	
	4836A	4"	4.50 - 4.80	4/29	\$82.00	4178-265	4/29	\$82.00	4178-266	4/27	\$82.00	4178-267	4/24	\$112.63
	4836A	6"	6.63 - 6.90	4/29	\$87.79	4178-270	4/29	\$87.79	4178-271	4/28	\$87.79	4178-272	4/36	\$107.92
	4836A	8"	8.63 - 9.05	3/26	\$100.21	4178-275	3/26	\$100.21	4178-276	3/24	\$100.21	4178-277	3/28	\$122.37
	4836A	10"	10.75 - 11.10	3/32	\$114.92	4178-280	3/32	\$114.92	4178-281	3/26	\$114.92	4178-282	3/31	\$148.94
	4836A	12"	12.75 - 13.20	3/28	\$131.81	4178-285	3/28	\$131.81	4178-286	3/28	\$131.81	4178-287	3/34	\$209.53

Part No.	Model	Nominal Size	Pipe O.D.	1 1/2"	Price	Part No.	2"	Price
				CTN/WT			CTN/WT	
4178-268	4836A	4"	4.50 - 4.80	4/29	\$112.63	4178-269	4/24	\$112.63
4178-273	4836A	6"	6.63 - 6.90	4/28	\$107.92	4178-274	4/27	\$107.92
4178-278	4836A	8"	8.63 - 9.05	3/24	\$122.37	4178-279	3/23	\$122.37
4178-283	4836A	10"	10.75 - 11.10	3/31	\$148.94	4178-284	3/31	\$148.94
4178-288	4836A	12"	12.75 - 13.20	3/34	\$209.53	4178-289	3/34	\$209.53

## 4845A Wide Stainless Steel Band

						AWWA TAP								
Part No.	Model	Nominal Size	Pipe O.D.	1/2"	Price	Part No.	3/4"	Price	Part No.	1"	Price	Part No.	1 1/4"	Price
				CTN/WT			CTN/WT			CTN/WT			CTN/WT	
	4845A	4"	4.50 - 4.80	4/33	\$128.67	4178-290	4/33	\$128.67	4178-291	4/33	\$128.67	4178-292	4/32	\$136.16
	4845A	6"	6.63 - 6.90	4/35	\$130.49	4178-295	4/35	\$130.49	4178-296	4/35	\$130.49	4178-297	4/34	\$140.41
	4845A	8"	8.63 - 9.05	3/31	\$157.57	4178-300	3/31	\$157.57	4178-301	3/31	\$157.57	4178-302	3/29	\$168.21
	4845A	10"	10.75 - 11.10	3/31	\$187.53	4178-305	3/31	\$187.53	4178-306	3/34	\$187.53	4178-307	3/38	\$198.42
	4845A	12"	12.75 - 13.20	3/36	\$214.19	4178-310	3/36	\$214.19	4178-311	3/37	\$214.19	4178-312	3/33	\$219.20

Part No.	Model	Nominal Size	Pipe O.D.	1 1/2"	Price	Part No.	2"	Price
				CTN/WT			CTN/WT	
4178-293	4845A	4"	4.50 - 4.80	4/31	\$136.16	4178-294	4/29	\$136.16
4178-298	4845A	6"	6.63 - 6.90	4/36	\$140.41	4178-299	4/31	\$140.41
4178-303	4845A	8"	8.63 - 9.05	3/28	\$168.21	4178-304	3/28	\$168.21
4178-308	4845A	10"	10.75 - 11.10	3/31	\$198.42	4178-309	3/29	\$198.42
4178-313	4845A	12"	12.75 - 13.20	3/33	\$219.20	4178-314	3/31	\$219.20

## 4846A Wide Stainless Steel Band

						FNPT TAP								
Part No.	Model	Nominal Size	Pipe O.D.	1/2"	Price	Part No.	3/4"	Price	Part No.	1"	Price	Part No.	1 1/4"	Price
				CTN/WT			CTN/WT			CTN/WT			CTN/WT	
	4846A	4"	4.50 - 4.80	4/33	\$128.67	4178-315	4/33	\$128.67	4178-316	4/36	\$128.67	4178-317	4/32	\$136.16
	4846A	6"	6.63 - 6.90	4/35	\$130.49	4178-320	4/35	\$130.49	4178-321	4/37	\$130.49	4178-322	4/36	\$140.41
	4846A	8"	8.63 - 9.05	3/30	\$157.57	4178-325	3/30	\$157.57	4178-326	3/31	\$157.57	4178-327	3/29	\$168.21
	4846A	10"	10.75 - 11.10	3/32	\$187.53	4178-330	3/32	\$187.53	4178-331	3/32	\$187.53	4178-332	3/38	\$198.42
	4846A	12"	12.75 - 13.20	3/42	\$214.19	4178-335	3/42	\$214.19	4178-336	3/34	\$214.19	4178-337	3/42	\$219.20

Part No.	Model	Nominal Size	Pipe O.D.	1 1/2"	Price	Part No.	2"	Price
				CTN/WT			CTN/WT	
4178-318	4846A	4"	4.50 - 4.80	4/29	\$136.16	4178-319	4/30	\$136.16
4178-323	4846A	6"	6.63 - 6.90	4/37	\$140.41	4178-324	4/35	\$140.41
4178-328	4846A	8"	8.63 - 9.05	3/34	\$168.21	4178-329	3/29	\$168.21
4178-333	4846A	10"	10.75 - 11.10	3/31	\$198.42	4178-334	3/30	\$198.42
4178-338	4846A	12"	12.75 - 13.20	3/33	\$219.20	4178-339	3/32	\$219.20

Service Saddles & Repair Clamps



# Service Saddles

## 4835A AWWA TAP / 4836A FNPT TAP, 4845A AWWA TAP / 4846A FNPT TAP & 4855A AWWA TAP / 4856A FNPT TAP

CAST IRON O.D., PVC PIPE (AWWA C900, C909) SINGLE, WIDE OR DOUBLE STAINLESS STEEL BAND SADDLES WITH DUCTILE IRON TOP WITH EPOXY COATING

### 4855A Double Stainless Steel Band

AWWA TAP														
Part No.	Model	Nominal Size	Pipe O.D.	1/2"		3/4"			1"			1 1/4"		
				CTN/WT	Price	Part No.	CTN/WT	Price	Part No.	CTN/WT	Price	Part No.	CTN/WT	Price
	4855A	4"	4.50 - 4.80	4/34	\$144.03	4178-340	4/34	\$144.03	4178-341	4/36	\$144.03	4178-342	4/35	\$153.74
	4855A	6"	6.63 - 6.90	4/37	\$146.48	4178-345	4/37	\$146.48	4178-346	4/37	\$146.48	4178-347	4/35	\$158.09
	4855A	8"	8.63 - 9.05	3/33	\$176.24	4178-350	3/33	\$176.24	4178-351	3/32	\$176.24	4178-352	3/29	\$189.68
	4855A	10"	10.75 - 11.10	3/35	\$211.76	4178-355	3/35	\$211.76	4178-356	3/32	\$211.76	4178-357	3/38	\$224.22
	4855A	12"	12.75 - 13.20	2/27	\$242.28	4178-360	2/27	\$242.28	4178-361	2/23	\$242.28	4178-362	2/28	\$249.31

			1 1/2"			2"		
Part No.	Model	Nominal Size	Pipe O.D.	CTN/WT	Price	Part No.	CTN/WT	Price
4178-343	4855A	4"	4.50 - 4.80	4/31	\$153.74	4178-344	4/32	\$153.74
4178-348	4855A	6"	6.63 - 6.90	4/39	\$158.09	4178-349	4/33	\$158.09
4178-353	4855A	8"	8.63 - 9.05	3/30	\$189.68	4178-354	3/30	\$189.68
4178-358	4855A	10"	10.75 - 11.10	3/31	\$224.22	4178-359	3/21	\$224.22
4178-363	4855A	12"	12.75 - 13.20	2/22	\$249.31	4178-364	2/22	\$249.31

### 4856A Double Stainless Steel Band

FNPT TAP														
Part No.	Model	Nominal Size	Pipe O.D.	1/2"		3/4"			1"			1 1/4"		
				CTN/WT	Price	Part No.	CTN/WT	Price	Part No.	CTN/WT	Price	Part No.	CTN/WT	Price
	4856A	4"	4.50 - 4.80	4/33	\$144.03	4178-365	4/33	\$144.03	4178-366	4/33	\$144.03	4178-367	4/30	\$153.74
	4856A	6"	6.63 - 6.90	4/36	\$146.48	4178-370	4/36	\$146.48	4178-371	4/36	\$146.48	4178-372	4/42	\$158.09
	4856A	8"	8.63 - 9.05	3/29	\$176.24	4178-375	3/29	\$176.24	4178-376	3/31	\$176.24	4178-377	3/34	\$189.68
	4856A	10"	10.75 - 11.10	3/33	\$211.76	4178-380	3/33	\$211.76	4178-381	3/32	\$211.76	4178-382	3/38	\$224.22
	4856A	12"	12.75 - 13.20	2/28	\$242.28	4178-385	2/28	\$242.28	4178-386	2/23	\$242.28	4178-387	2/28	\$249.31

			1 1/2"			2"		
Part No.	Model	Nominal Size	Pipe O.D.	CTN/WT	Price	Part No.	CTN/WT	Price
4178-368	4856A	4"	4.50 - 4.80	4/34	\$153.74	4178-369	4/34	\$153.74
4178-373	4856A	6"	6.63 - 6.90	4/36	\$158.09	4178-374	4/34	\$158.09
4178-378	4856A	8"	8.63 - 9.05	3/31	\$189.68	4178-379	3/30	\$189.68
4178-383	4856A	10"	10.75 - 11.10	3/31	\$224.22	4178-384	3/30	\$224.22
4178-388	4856A	12"	12.75 - 13.20	2/23	\$249.31	4178-389	2/22	\$249.31

## 4835AU AWWA TAP / 4836AU FNPT TAP, 4845AU AWWA TAP / 4846AU FNPT TAP & 4855AU AWWA TAP / 4856AU FNPT TAP

CAST IRON O.D., PVC PIPE (AWWA C900, C909) SINGLE, WIDE OR DOUBLE STAINLESS STEEL BAND SADDLES WITH DUCTILE IRON TOP WITH EPOXY COATING

### 4835AU - American Made Single Stainless Steel Band

AWWA TAP																	
		Nominal Size		3/4"		1"		1 1/4"		1 1/2"		2"					
Part No.	Model	Pipe O.D.	CTN/WT	Price	Part No.	CTN/WT	Price	Part No.	CTN/WT	Price	Part No.	CTN/WT	Price	Part No.	CTN/WT	Price	
4278-000	4835AU	4"	4.50 - 4.80	4/27	\$91.83	4278-001	4/27	\$91.83	4278-002	4/26	\$126.14	4278-003	4/34	\$126.14	4278-004	4/34	\$126.14
4278-021	4835AU	6"	6.63 - 6.90	4/31	\$98.32	4278-022	4/31	\$98.32	4278-023	4/36	\$120.87	4278-024	4/36	\$120.87	4278-025	4/34	\$120.87
4278-041	4835AU	8"	8.63 - 9.05	3/27	\$112.23	4278-042	3/26	\$112.23	4278-043	3/26	\$137.06	4278-044	3/31	\$137.06	4278-045	3/30	\$137.06
4278-061	4835AU	10"	10.75 - 11.10	3/26	\$128.71	4278-062	3/27	\$128.71	4278-063	3/31	\$166.81	4278-064	3/31	\$166.81	4278-065	3/30	\$166.81
4278-081	4835AU	12"	12.75 - 13.20	3/31	\$147.63	4278-082	3/31	\$147.63	4278-083	3/34	\$234.67	4278-084	2/23	\$234.67	4278-085	2/22	\$234.67



Service Saddles & Repair Clamps

# 4835AU AWWA TAP / 4836AU FNPT TAP, 4845AU AWWA TAP / 4846AU FNPT TAP & 4855AU AWWA TAP / 4856AU FNPT TAP

CAST IRON O.D., PVC PIPE (AWWA C900, C909) SINGLE, WIDE OR DOUBLE STAINLESS STEEL BAND SADDLES WITH DUCTILE IRON TOP WITH EPOXY COATING

## 4836AU - American Made Single Stainless Steel Band

FNPT TAP																	
Part No.	Model	Nominal Size	Pipe O.D.	3/4"		1"		1 1/4"		1 1/2"		2"					
				CTN/WT	Price	Part No.	CTN/WT	Price	Part No.	CTN/WT	Price	Part No.	CTN/WT	Price			
4278-005	4836AU	4"	4.50 - 4.80	4/29	\$91.83	4278-006	4/27	\$91.83	4278-007	4/24	\$126.14	4278-008	4/29	\$126.14	4278-009	4/24	\$126.14
4278-026	4836AU	6"	6.63 - 6.90	4/29	\$98.32	4278-027	4/28	\$98.32	4278-028	4/36	\$120.87	4278-029	4/28	\$120.87	4278-030	4/27	\$120.87
4278-046	4836AU	8"	8.63 - 9.05	3/26	\$112.23	4278-047	3/24	\$112.23	4278-048	3/28	\$137.06	4278-049	3/24	\$137.06	4278-050	3/23	\$137.06
4278-066	4836AU	10"	10.75 - 11.10	3/32	\$128.71	4278-067	3/26	\$128.71	4278-068	3/31	\$166.81	4278-069	3/31	\$166.81	4278-070	3/31	\$166.81
4278-086	4836AU	12"	12.75 - 13.20	3/28	\$147.63	4278-087	3/28	\$147.63	4278-088	3/34	\$234.67	4278-089	3/34	\$234.67	4278-090	3/34	\$234.67

## 4845AU - American Made Single Stainless Steel Band

AWWA TAP																	
Part No.	Model	Nominal Size	Pipe O.D.	3/4"		1"		1 1/4"		1 1/2"		2"					
				CTN/WT	Price	Part No.	CTN/WT	Price	Part No.	CTN/WT	Price	Part No.	CTN/WT	Price			
4278-102	4845AU	4"	4.50 - 4.80	4/33	\$144.11	4278-103	4/33	\$144.11	4278-104	4/32	\$152.50	4278-105	4/31	\$152.50	4278-106	4/29	\$152.50
4278-112	4845AU	6"	6.63 - 6.90	4/35	\$146.15	4278-113	4/35	\$146.15	4278-114	4/34	\$157.26	4278-115	4/36	\$157.26	4278-116	4/31	\$157.26
4278-123	4845AU	8"	8.63 - 9.05	3/31	\$176.48	4278-124	3/31	\$176.48	4278-125	3/29	\$188.40	4278-126	3/28	\$188.40	4278-127	3/28	\$188.40
4278-136	4845AU	10"	10.75 - 11.10	3/31	\$210.04	4278-137	3/34	\$210.04	4278-138	3/38	\$222.23	4278-139	3/31	\$222.23	4278-140	3/29	\$222.23
4278-146	4845AU	12"	12.75 - 13.20	3/36	\$239.89	4278-147	3/37	\$239.89	4278-148	3/33	\$245.50	4278-149	3/33	\$245.50	4278-150	3/31	\$245.50

## 4846AU - American Made Single Stainless Steel Band

FNPT TAP																	
Part No.	Model	Nominal Size	Pipe O.D.	3/4"		1"		1 1/4"		1 1/2"		2"					
				CTN/WT	Price	Part No.	CTN/WT	Price	Part No.	CTN/WT	Price	Part No.	CTN/WT	Price			
4278-107	4846AU	4"	4.50 - 4.80	4/33	\$144.11	4278-108	4/36	\$144.11	4278-109	4/32	\$152.50	4278-110	4/29	\$152.50	4278-111	4/30	\$152.50
4278-117	4846AU	6"	6.63 - 6.90	4/35	\$146.15	4278-118	4/37	\$146.15	4278-119	4/36	\$157.26	4278-120	4/37	\$157.26	4278-121	4/35	\$157.26
4278-128	4846AU	8"	8.63 - 9.05	3/30	\$176.48	4278-129	3/31	\$176.48	4278-130	3/29	\$188.40	4278-131	3/34	\$188.40	4278-132	3/29	\$188.40
4278-141	4846AU	10"	10.75 - 11.10	3/32	\$210.04	4278-142	3/32	\$210.04	4278-143	3/38	\$222.23	4278-144	3/31	\$222.23	4278-145	3/30	\$222.23
4278-151	4846AU	12"	12.75 - 13.20	3/42	\$239.89	4278-152	3/34	\$239.89	4278-153	3/42	\$245.50	4278-154	3/33	\$245.50	4278-155	3/32	\$245.50

## 4855AU - American Made Double Stainless Steel Band

AWWA TAP																	
Part No.	Model	Nominal Size	Pipe O.D.	3/4"		1"		1 1/4"		1 1/2"		2"					
				CTN/WT	Price	Part No.	CTN/WT	Price	Part No.	CTN/WT	Price	Part No.	CTN/WT	Price			
4278-010	4855AU	4"	4.50 - 4.80	4/34	\$161.32	4278-011	4/36	\$161.32	4278-012	4/35	\$172.19	4278-013	4/31	\$172.19	4278-014	4/32	\$172.19
4278-031	4855AU	6"	6.63 - 6.90	4/37	\$164.06	4278-032	4/37	\$164.06	4278-033	4/35	\$177.06	4278-034	4/39	\$177.06	4278-035	4/33	\$177.06
4278-051	4855AU	8"	8.63 - 9.05	3/33	\$197.39	4278-052	3/32	\$197.39	4278-053	3/29	\$212.45	4278-054	3/30	\$212.45	4278-055	3/30	\$212.45
4278-071	4855AU	10"	10.75 - 11.10	3/35	\$237.17	4278-072	3/32	\$237.17	4278-073	3/38	\$251.13	4278-074	3/31	\$251.13	4278-075	3/21	\$251.13
4278-091	4855AU	12"	12.75 - 13.20	2/27	\$271.35	4278-092	2/23	\$271.35	4278-093	2/28	\$279.23	4278-094	2/22	\$279.23	4278-095	2/22	\$279.23

## 4856AU - American Made Double Stainless Steel Band

FNPT TAP																	
Part No.	Model	Nominal Size	Pipe O.D.	3/4"		1"		1 1/4"		1 1/2"		2"					
				CTN/WT	Price	Part No.	CTN/WT	Price	Part No.	CTN/WT	Price	Part No.	CTN/WT	Price			
4278-015	4856AU	4"	4.50 - 4.80	4/33	\$161.32	4278-016	4/33	\$161.32	4278-017	4/30	\$172.19	4278-018	4/34	\$172.19	4278-019	4/34	\$172.19
4278-036	4856AU	6"	6.63 - 6.90	4/36	\$164.06	4278-037	4/36	\$164.06	4278-038	4/42	\$177.06	4278-039	4/36	\$177.06	4278-040	4/34	\$177.06
4278-056	4856AU	8"	8.63 - 9.05	3/29	\$197.39	4278-057	3/31	\$197.39	4278-058	3/34	\$212.45	4278-059	3/31	\$212.45	4278-060	3/30	\$212.45
4278-076	4856AU	10"	10.75 - 11.10	3/33	\$237.17	4278-077	3/32	\$237.17	4278-078	3/38	\$251.13	4278-079	3/31	\$251.13	4278-080	3/30	\$251.13
4278-096	4856AU	12"	12.75 - 13.20	2/28	\$271.35	4278-097	2/23	\$271.35	4278-098	2/28	\$279.23	4278-099	2/23	\$279.23	4278-100	2/22	\$279.23

Service Saddles & Repair Clamps



## 73875 AWWA Tap / 73876 FNPT Tap - No-Lead Brass

CAST IRON O.D. PVC PIPE / AWWA C900, C909 NO-LEAD BRASS SERVICE SADDLES WITH SINGLE WIDE STAINLESS STEEL BAND

A.Y. McDonald is happy to announce the addition of the No-Lead Brass Service Saddles with a single wide stainless steel band. The 73875 (AWWA tap) / 73876 (FNPT tap) service saddles have a wide stainless steel band. Saddles are designed for use on service line connections to cast iron O.D. PVC pipe / AWWA C-900/C909 water mains.

The pressure capabilities equal, but do not exceed, the working pressure rating of the pipe, up to 200 PSIG. These No-Lead Saddles are designed with slots on one side of the saddle top for ease of installation. See installation instructions sheet for specific installation guidelines.

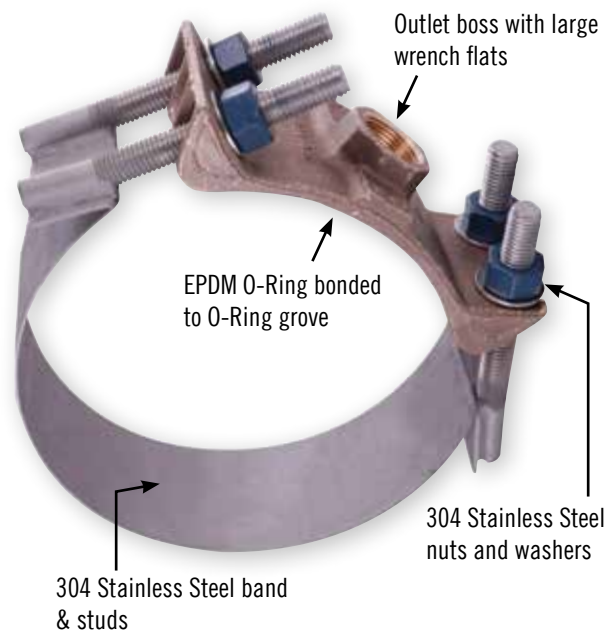
### MATERIALS

**Body** - No-Lead Brass

**Band and Studs** - 304 Stainless Steel

**Nuts and Washers** - 304 Stainless Steel

**Nuts** - Fluorocarbon coated 304 Stainless Steel



### NOTES

- Order Saddles by Model Number, Nominal Pipe Size and Tap Size (Example: 73875 8" x 1").
- All Saddles have Pipe O.D. size identification.
- All A.Y. McDonald Service Saddles meet A.W.W.A. standards.
- Use on cold water services only.

### OPTIONS

- EPDM Flat gasket in place of EPDM O-Ring - add "F" to end of model number i.e. 73875 = 73875F (price is the same as EPDM O-ring style).
- Viton® O-rings - add "V" to end of model number i.e. 73875 = 73875V (see below for pricing)

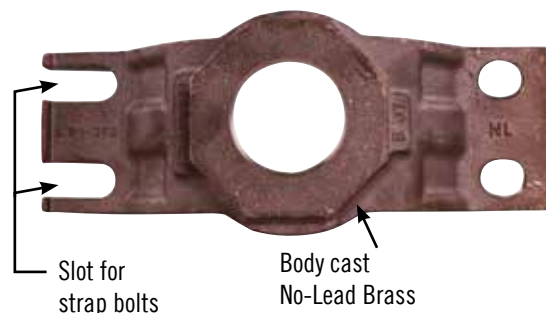
**Viton® O-ring adder "V"**

3/4" .....\$14.47

1" .....\$14.47

1 1/2" .....\$20.93

2" .....\$20.93



EPDM O-ring seal standard

**Optional**  
EPDM Flat Gasket or Viton O-ring Gasket  
Contact Factory for pricing.

### 73875

		AWWA TAP																		
Part No.	Model	Nominal Size	Pipe O.D.	3/4"	1"	1 1/4"	1 1/2"	2"	CTN/WT	Price	Part No.	CTN/WT	Price	Part No.	CTN/WT	Price	Part No.	CTN/WT	Price	
5148-491	73875	4"	4.80	5/35	\$225.38	5148-489	5/30	\$225.38	5148-481	5/38	\$262.83	5148-479	5/38	\$262.83	5148-477	5/41	\$271.80			
5148-471	73875	6"	6.90	5/50	\$265.41	5148-469	5/39	\$265.41	5148-461	5/52	\$303.46	5148-459	5/51	\$303.46	5148-457	5/48	\$316.76			
5148-497	73875	8"	9.05	2/15	\$328.55	5148-499	2/15	\$328.55	5148-449	2/18	\$345.80	5148-447	2/18	\$345.80	5148-445	2/17	\$357.96			
5128-096	73875	10"	11.10	2/20	\$406.97	5128-098	2/19	\$406.97	5168-101	2/23	\$446.98	5168-099	2/23	\$446.98	5168-097	2/22	\$455.99			
5128-080	73875	12"	13.20	2/22	\$452.52	5128-078	2/24	\$452.52	5128-070	2/21	\$510.32	5128-068	2/25	\$510.32	5128-066	2/20	\$519.68			

### 73876

		FNPT TAP																		
Part No.	Model	Nominal Size	Pipe O.D.	3/4"	1"	1 1/4"	1 1/2"	2"	CTN/WT	Price	Part No.	CTN/WT	Price	Part No.	CTN/WT	Price	Part No.	CTN/WT	Price	
5148-492	73876	4"	4.80	5/31	\$225.38	5148-490	5/30	\$225.38	5148-482	5/38	\$262.83	5148-480	5/38	\$262.83	5148-478	5/38	\$271.80			
5148-472	73876	6"	6.90	5/50	\$265.41	5148-470	5/50	\$265.41	5148-462	5/52	\$303.46	5148-460	5/51	\$303.46	5148-458	5/50	\$316.76			
5148-498	73876	8"	9.05	2/15	\$328.55	5128-061	2/15	\$328.55	5148-450	2/19	\$345.80	5148-448	2/18	\$345.80	5148-446	2/18	\$357.96			
5128-097	73876	10"	11.10	2/20	\$406.97	5128-099	2/19	\$406.97	5168-102	2/23	\$446.98	5168-100	2/23	\$446.98	5168-098	2/22	\$455.99			
5128-081	73876	12"	13.20	2/25	\$452.52	5128-079	2/24	\$452.52	5128-071	2/21	\$510.32	5128-069	2/21	\$510.32	5128-067	2/20	\$519.68			

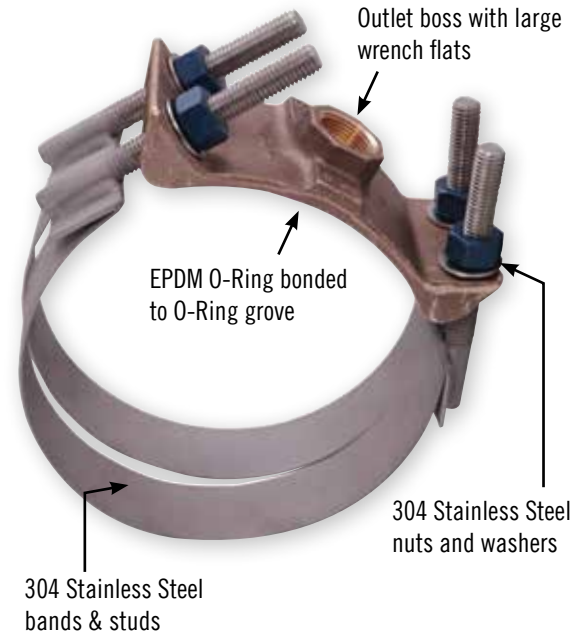


# 73885 AWWA Tap / 73886 FNPT Tap - No-Lead Brass

CAST IRON O.D. PVC PIPE / AWWA C900, C909 NO-LEAD BRASS SERVICE SADDLES WITH DOUBLE STAINLESS STEEL BAND

A.Y. McDonald is happy to announce the addition of the No-Lead Brass Service Saddles with a double stainless steel band. 73885 (AWWA tap) / 73886 (FNPT tap) service saddles have two stainless steel bands. Saddles are designed for use on service line connections to cast iron O.D. PVC pipe / AWWA C-900/C909 water mains.

The pressure capabilities equal, but do not exceed, the working pressure rating of the pipe, up to 200 PSIG. These No-Lead Saddles are designed with slots on one side of the saddle top for ease of installation. See installation instructions sheet for specific installation guidelines.



## MATERIALS

- Body** - No-Lead Brass
- Band and Studs** - 304 Stainless Steel
- Nuts and Washers** - 304 Stainless Steel
- Nuts** - Fluorocarbon coated 304 Stainless Steel

## NOTES

- Order Saddles by Model Number, Nominal Pipe Size and Tap Size (**Example: 73875 8" x 1"**).
- All Saddles have Pipe O.D. size identification.
- All A.Y. McDonald Service Saddles meet A.W.W.A. standards.
- Use on cold water services only.

## OPTIONS

- EPDM Flat gasket in place of EPDM O-Ring - add "F" to end of model number i.e. 73875 = 73875F (price is the same as EPDM O-ring style).
- Viton® O-rings - add "V" to end of model number i.e. 73875 = 73875V (see below for pricing)

**Viton® O-ring adder "V"**

3/4".....	\$14.47
1".....	\$14.47
1 1/2".....	\$20.93
2".....	\$20.93



Service Saddles & Repair Clamps

## 73885

		AWWA TAP															
Part No.	Model	Nominal Size	Pipe O.D.	3/4"		1"		1 1/4"		1 1/2"		2"					
				CTN/WT	Price	Part No.	CTN/WT	Price	Part No.	CTN/WT	Price	Part No.	CTN/WT	Price			
5148-495	73885	4"	4.80	5/39	\$225.38	5148-493	5/31	\$225.38	5148-487	5/38	\$262.83	5148-485	5/38	\$262.83	5148-483	5/41	\$271.80
5148-475	73885	6"	6.90	5/50	\$265.41	5148-473	5/50	\$265.41	5148-467	5/52	\$303.46	5148-465	5/51	\$303.46	5148-463	5/47	\$316.76
5128-062	73885	8"	9.05	2/16	\$328.55	5128-064	2/15	\$328.55	5148-455	2/19	\$345.80	5148-453	2/19	\$345.80	5148-451	2/18	\$357.96
5168-093	73885	10"	11.10	2/20	\$406.97	5168-095	2/19	\$406.97	5168-107	2/23	\$446.98	5168-105	2/23	\$446.98	5168-103	2/22	\$455.99
5128-084	73885	12"	13.20	2/25	\$452.52	5128-082	2/24	\$452.52	5128-076	2/21	\$510.32	5128-074	2/21	\$510.32	5128-072	2/20	\$519.68

## 73886

		FNPT TAP															
Part No.	Model	Nominal Size	Pipe O.D.	3/4"		1"		1 1/4"		1 1/2"		2"					
				CTN/WT	Price	Part No.	CTN/WT	Price	Part No.	CTN/WT	Price	Part No.	CTN/WT	Price			
5148-496	73886	4"	4.80	5/31	\$225.38	5148-494	5/31	\$225.38	5148-488	5/38	\$262.83	5148-486	5/38	\$262.83	5148-484	5/38	\$271.80
5148-476	73886	6"	6.90	5/50	\$265.41	5148-474	5/50	\$265.41	5148-468	5/52	\$303.46	5148-466	5/52	\$303.46	5148-464	5/50	\$316.76
5128-063	73886	8"	9.05	2/16	\$328.55	5128-065	2/7	\$328.55	5148-456	2/19	\$345.80	5148-454	2/19	\$345.80	5148-452	2/18	\$357.96
5168-094	73886	10"	11.10	2/18	\$406.97	5168-096	2/19	\$406.97	5168-108	2/23	\$446.98	5168-106	2/23	\$446.98	5168-104	2/22	\$455.99
5128-085	73886	12"	13.20	2/25	\$452.52	5128-083	2/24	\$452.52	5128-077	2/21	\$510.32	5128-075	2/21	\$510.32	5128-073	2/20	\$519.68



## 428UDL Series Snap Clamps

### EPOXY COATED DUCTILE IRON LUG SNAP CLAMP

Our Stainless Steel Ductile Iron Lug Snap Clamps feature a nitrile grid gasket and a drop-in bolt design that allows the bolts to remain attached so that you have no loose parts in the ditch. Clamps are rated to 150 PSI.

#### MATERIALS

**Band** - ASTM A240 Type 304 (18-8) Stainless Steel

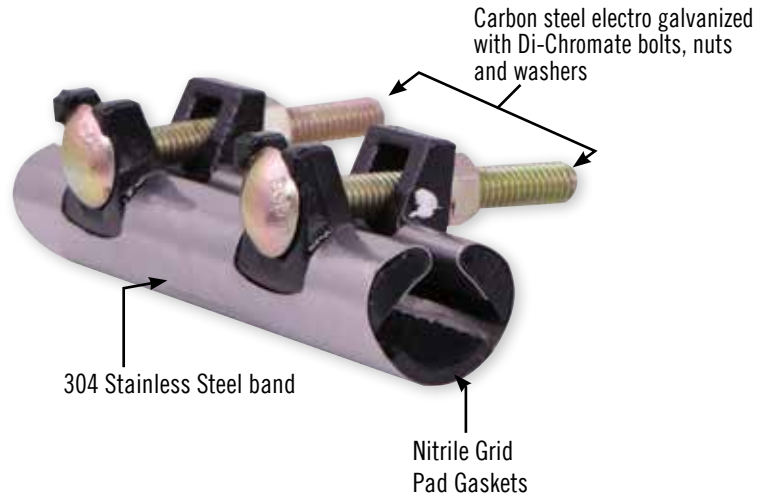
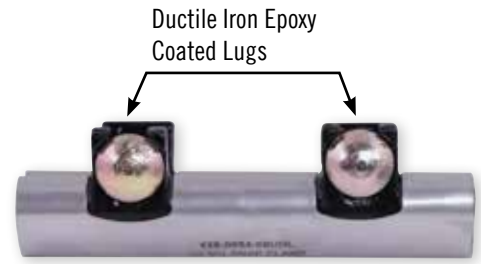
**Lug** - Ductile Iron per ASTM A536, Epoxy Coated

**Gasket** - ASTM D200 Nitrile Grid Pad Gasket

**Bolts** - Carbon Steel Electro Galvanized with Di-Chromate Seal

**Nuts** - Carbon Steel Electro Galvanized with Di-Chromate Seal

**Washers** - Carbon Steel Electro Galvanized with Di-Chromate Seal



#### TO ORDER

To order 428 Series Model No. **428-0105-03UDL** means:

1	2	3	4	5	6	7
<b>428</b>	-	<b>0105</b>	-	<b>03</b>	<b>U</b>	<b>DL</b>
Series #		O.D.		Width 03 = 3" 06 = 6" 09 = 9" 12 = 12"	U = Snap Clamp	DL = Epoxy Coated Ductile Iron Lugs

Nom O.D	O.D.	Pipe Material	Model Number	1 BOLT		2 BOLT		3 BOLT		4 BOLT		Standard
				Part No.	3" Add -03	Part No.	6" Add -06	Part No.	9" Add -09	Part No.	12" Add -12	
1/2"	0.840"	IPS	428-0084-	4993-004	\$13.43	4993-005	\$24.80		N/A		N/A	UDL
3/4"	1.050"	IPS	428-0105-	4993-012	\$13.74	4993-013	\$25.57		N/A		N/A	UDL
1"	1.315"	IPS	428-0132-	4993-020	\$14.91	4993-021	\$27.25		N/A		N/A	UDL
1 1/4"	1.660"	IPS	428-0166-	4993-028	\$15.47	4993-029	\$28.69		N/A		N/A	UDL
1 1/2"	1.900"	IPS	428-0190-	4993-036	\$16.54	4993-037	\$31.17	4993-038	\$48.38		N/A	UDL
2"	2.375"	IPS	428-0238-	4993-048	\$18.08	4993-049	\$32.73		N/A	4993-051	\$66.44	UDL
2 1/2"	2.875"	IPS	428-0288-		N/A		N/A	4993-058	\$67.13		N/A	UDL

Service Saddles & Repair Clamps





## 428QDL Series Wrap Clamps

### EPOXY COATED DUCTILE IRON LUG WRAP CLAMP

Our Stainless Steel Ductile Iron Lug Wrap Clamps feature a drop in nitrile grid gasket, dimpled armor plate and a drop-in bolt design that allows the bolts to remain attached so that you have no loose parts in the ditch. Clamps are rated to 150 PSI.

### MATERIALS

**Band** - ASTM A240 Type 304 (18-8) Stainless Steel

**Lug** - Ductile Iron per ASTM A536, Epoxy Coated

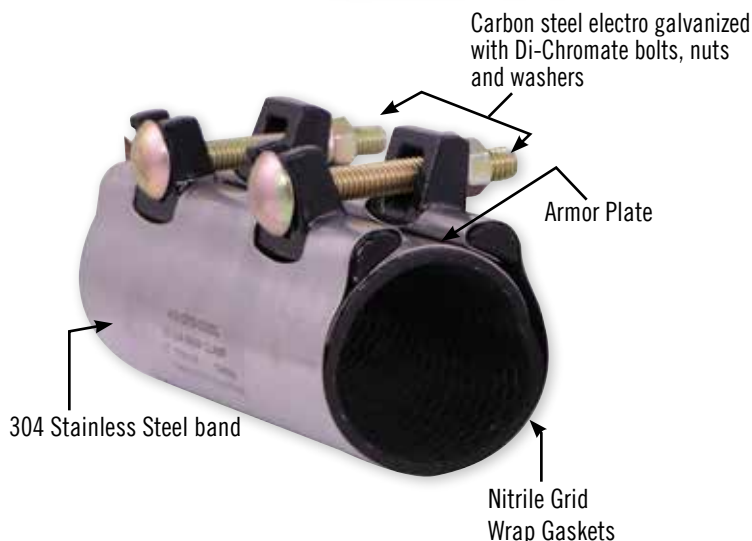
**Gasket** - ASTM D200 Nitrile Grid Wrap Gasket

**Bolts** - Carbon Steel Electro Galvanized with Di-Chromate Seal

**Nuts** - Carbon Steel Electro Galvanized with Di-Chromate Seal

**Washers** - Carbon Steel Electro Galvanized with Di-Chromate Seal

**Armor Plate** - ASTM A240 type 304 (18-18) Stainless Steel



### TO ORDER

To order 428 Series Model No. **428-0105-03QDL** means:

1 <b>428</b>	2 <b>-</b>	3 <b>0105</b>	4 <b>-</b>	5 <b>03</b>	6 <b>Q</b>	7 <b>DL</b>
Series #		O.D.		Width 03 = 3" 06 = 6"	Q = Wrap Clamp	DL = Epoxy Coated Ductile Iron Lugs

Nom O.D.	O.D.	Pipe Material	Model Number	1 BOLT		2 BOLT		Standard
				Part No.	3" Add -03	Part No.	6" Add -06	
1/2"	0.625"	CTS	428-0063-	4993-060	\$46.09		NA	QDL
1/2"	0.840"	IPS	428-0084-		N/A	4993-065	\$97.71	QDL
3/4"	0.875"	CTS	428-0088-	4993-068	\$46.68	4993-069	\$98.76	QDL
3/4"	1.050"	IPS	428-0105-	4993-072	\$46.68	4993-073	\$98.76	QDL
1"	1.125"	CTS	428-0113-	4993-076	\$49.41	4993-077	\$99.44	QDL
1"	1.315"	IPS	428-0132-	4993-080	\$49.41	4993-081	\$99.44	QDL
1 1/4"	1.375"	CTS	428-0138-	4993-084	\$50.98	4993-085	\$101.30	QDL
1 1/4"	1.660"	IPS	428-0166-	4993-088	\$50.98	4993-089	\$101.30	QDL
1 1/2"	1.625"	CTS	428-0163-	4993-092	\$52.04		N/A	QDL
1 1/2"	1.900"	IPS	428-0190-	4993-096	\$52.04	4993-097	\$102.52	QDL
2"	2.125"	CTS	428-0213-	4993-104	\$56.64	4993-105	\$105.24	QDL
2"	2.375"	IPS	428-0238-	4993-108	\$56.64	4993-109	\$105.24	QDL



## 428USL Series Snap Clamps

### CAST STAINLESS STEEL SNAP CLAMP

Our Stainless Steel Cast Lug Snap Clamps feature a nitrile grid gasket and a drop-in bolt design that allows the bolts to remain attached so that you have no loose parts in the ditch. Clamps are rated to 150 PSI.

### MATERIALS

- Band** - ASTM A240 Type 304 (18-8) Stainless Steel
- Lug** - Type 304 (CF8) Cast Stainless Steel per ASTM A743
- Gasket** - ASTM D200 Nitrile Grid Pad Gasket
- Bolts** - Type 304 Stainless Steel GR. 8 per ASTM A193
- Nuts** - Type 304 Stainless Steel GR. 8 per ASTM A194
- Washers** - ASTM A240 Type 304 (18-8) Stainless Steel



### TO ORDER

To order 428 Series Model No. **428-0105-03USL** means:

1 <b>428</b>	2 -	3 <b>0105</b>	4 -	5 <b>03</b>	6 <b>U</b>	7 <b>SL</b>
Series #		O.D.		Width 03 = 3" 06 = 6" 09 = 9" 12 = 12"	U = Snap Clamp	SL = Cast Stainless Steel Lugs

Nom O.D.	O.D.	Pipe Material	Model Number	1 BOLT				2 BOLT				3 BOLT				4 BOLT				Standard
				Part No.	3" Add -03	Part No.	6" Add -06	Part No.	9" Add -09	Part No.	12" Add - 12	Part No.	3" Add -03	Part No.	6" Add -06	Part No.	9" Add -09	Part No.	12" Add - 12	
1/2"	0.840"	IPS	428-0084-		N/A		N/A		N/A		N/A		N/A		N/A		N/A	USL		
3/4"	1.050"	IPS	428-0105-	4993-132	\$41.37		N/A		N/A		N/A		N/A		N/A		N/A	USL		
1"	1.315"	IPS	428-0132-	4993-140	\$42.57		N/A		N/A		N/A		N/A		N/A		N/A	USL		
1 1/4"	1.660"	IPS	428-0166-		N/A	4993-149	\$67.46		N/A		N/A		N/A		N/A		N/A	USL		
1 1/2"	1.900"	IPS	428-0190-		N/A		N/A	4993-158	\$107.32	4993-159	\$142.62		N/A		N/A		N/A	USL		
2"	2.375"	IPS	428-0238-		N/A	4993-169	\$76.40		N/A	4993-171	\$155.97		N/A		N/A		N/A	USL		
2 1/2"	2.875"	IPS	428-0288-		N/A		N/A		N/A		N/A		N/A		N/A		N/A	USL		

Service Saddles & Repair Clamps



## 428QSL Series Wrap Clamps

### CAST STAINLESS STEEL LUG WRAP CLAMP

Our Stainless Steel Cast Lug Wrap Clamps feature a drop in nitrile grid gasket, dimpled armor plate and a drop-in bolt design that allows the bolts to remain attached so that you have no loose parts in the ditch. Clamps are rated to 150 PSI.



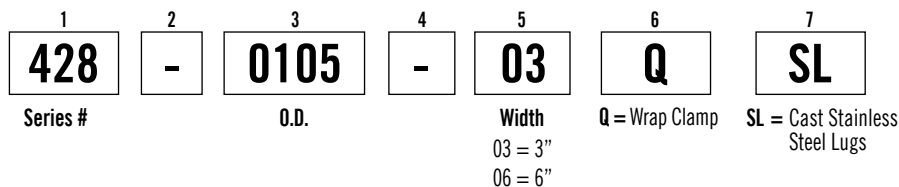
### MATERIALS

- Band** - ASTM A240 Type 304 (18-8) Stainless Steel
- Lug** - Type 304 (CF8) Cast Stainless Steel per ASTM A743
- Gasket** - ASTM D200 Nitrile Grid Wrap Gasket
- Bolts** - Type 304 Stainless Steel GR. 8 per ASTM A193
- Nuts** - Type 304 Stainless Steel GR. 8 per ASTM A194
- Washers** - ASTM A240 Type 304 (18-8) Stainless Steel
- Armor Plate** - ASTM A240 type 304 (18-18) Stainless Steel



### TO ORDER

To order 428 Series Model No. **428-0105-03QSL** means:



Nom O.D.	O.D.	Pipe Material	Model Number	1 BOLT		2 BOLT		Standard
				Part No.	3" Add -03	Part No.	6" Add -06	
1/2"	0.625"	CTS	428-0063-		N/A		N/A	QSL
1/2"	0.840"	IPS	428-0084-		N/A		N/A	QSL
3/4"	0.875"	CTS	428-0088-	4993-188	\$74.77	4993-189	\$137.72	QSL
3/4"	1.050"	IPS	428-0105-		N/A		N/A	QSL
1"	1.125"	CTS	428-0113-	4993-196	\$77.46		N/A	QSL
1"	1.315"	IPS	428-0132-		N/A		N/A	QSL
1 1/4"	1.375"	CTS	428-0138-		N/A	4993-205	\$140.21	QSL
1 1/4"	1.660"	IPS	428-0166-	4993-208	\$79.02	4993-209	\$140.21	QSL
1 1/2"	1.625"	CTS	428-0163-		N/A		N/A	QSL
1 1/2"	1.900"	IPS	428-0190-	4993-216	\$80.07		N/A	QSL
2"	2.125"	CTS	428-0213-		N/A		N/A	QSL
2"	2.375"	IPS	428-0238-		N/A	4993-229	\$149.28	QSL



## 8403 Series Service Saddles

### STAINLESS STEEL SADDLES WITH LIFTER PLATE

Our Stainless Steel Series service saddles feature a fully welded bar, chemically passivated welds, anti-gall nuts, NBR Pad O-Ring gasket, and AWWA & FNPT taps. Multiple sizes are available including standard and custom diameter ranges.



### MATERIALS

**Band** - ASTM A240 Type 304 (18-8) Stainless Steel

**Lifter Plate** - ASTM A240 Type 304 (18-8) Stainless Steel

**Gasket** - Nitrile (NBR) Pad O-Ring Gasket meets ASTM D2000 & NSF 61

**Studs** - ASTM F593 Type 304 (18-8) Stainless Steel

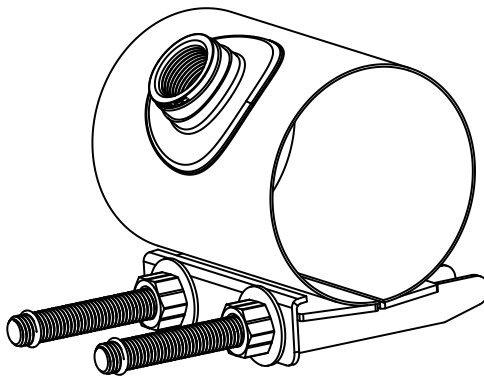
**Nuts** - ASTM F594 Type 304 (18-8) Stainless Steel coated to prevent galling

**Washers** - ASME B18.22.1 Type 304 (18-8) Stainless Steel

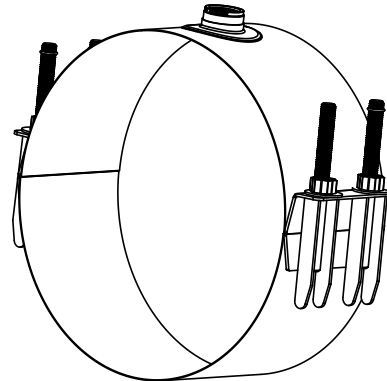
### NOTES

- Order Saddles by Model Number, for example 8403-0677-A3NPG
- All Saddles have Pipe O.D. range identification
- All A.Y. McDonald Saddles meet AWWA standards and are certified to NSF 61
- Rated for 250 PSI working pressure

Size	Tap	Band	Width
4" nominal size	3/4" / 1"	20 Gauge	6" Wide
4" nominal size	1 1/4" / 1 1/2" / 2"	20 Gauge	8" Wide
6" to 8" nominal size	3/4" / 1"	20 Gauge	6" Wide
6" to 8" nominal size	1 1/4" / 1 1/2" / 2"	18 Gauge	8" Wide
All 10" nominal size and larger	3/4" / 1"	18 Gauge	6" Wide
All 10" nominal size and larger	1 1/4" / 1 1/2" / 2"	18 Gauge	8" Wide



4" to 12" - one piece design (2 bolts per)



14" and larger - two piece design (4 bolts per)

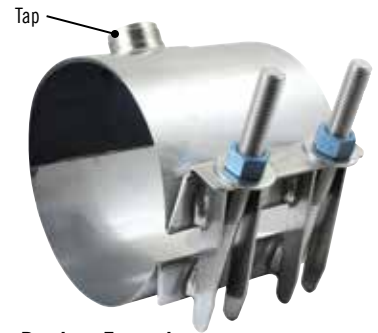


## 8403 Series Service Saddles

STAINLESS STEEL SADDLES WITH LIFTER PLATE

To order 8403 Series Model No. **8403-0450-A3NPG** means:

1	2	3	4	5	6	7	8	9	10	11	12
<b>8403</b>	<b>-</b>	<b>0</b>	<b>4</b>	<b>5</b>	<b>0</b>	<b>-</b>	<b>A</b>	<b>3</b>	<b>N</b>	<b>P</b>	<b>G</b>
Series #	Mid O.D. Range						Tap Configuration	Tap Size	Nitrile Pad Gasket		
							A = AWWA F = FNPT	3 = 3/4" 4 = 1" 5 = 1 1/4" 6 = 1 1/2" 7 = 2"			



**Product Example:**  
8403-0450-A3NPG (Nitrile Pad Gasket)  
Standard NPG

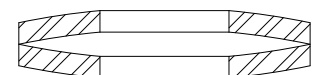
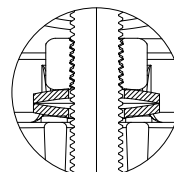
Nom. O.D.	O.D. Range	Pipe Material	Model #		Outlet A (AWWA) or F (FNPT)										Standard
			Series #	Mid O.D. Range #	Part No.	3/4" A3 or F3	Part No.	1" A4 or F4	Part No.	1 1/4" A5 or F5	Part No.	1 1/2" A6 or F6	Part No.	2" A7 or F7	
4	4.30 - 4.70	IPS	8403-	0450-	4996-000	\$94.91	4996-002	\$94.91	4996-004	\$188.42	4996-006	\$188.42	4996-008	\$188.42	NPG
4	4.45 - 4.85		8403-	0465-	4996-294	\$94.91	4996-296	\$94.91	4996-298	\$188.42	4996-300	\$188.42	4996-302	\$188.42	NPG
4	4.60 - 5.00	C900, DIP, Cast A - D	8403-	0480-	4996-010	\$94.91	4996-012	\$94.91	4996-014	\$188.42	4996-016	\$188.42	4996-018	\$188.42	NPG
6	6.43 - 6.83	IPS	8403-	0663-	4996-020	\$135.80	4996-022	\$135.80	4996-024	\$193.92	4996-026	\$193.92	4996-028	\$193.92	NPG
6	6.54 - 7.00		8403-	0677-	4996-200	\$135.80	4996-202	\$135.80	4996-204	\$193.92	4996-206	\$193.92	4996-208	\$193.92	NPG
6	6.70 - 7.10	C900, DIP, Cast A - D	8403-	0690-	4996-030	\$135.80	4996-032	\$135.80	4996-034	\$193.92	4996-036	\$193.92	4996-038	\$193.92	NPG
8	8.43 - 8.83	IPS	8403-	0863-	4996-040	\$137.76	4996-042	\$137.76	4996-044	\$200.61	4996-046	\$200.61	4996-048	\$200.61	NPG
8	8.63 - 9.08		8403-	0886-	4996-210	\$137.76	4996-212	\$137.76	4996-214	\$200.61	4996-216	\$200.61	4996-218	\$200.61	NPG
8	8.85 - 9.25	C900, DIP, Cast A - B	8403-	0905-	4996-050	\$137.76	4996-052	\$137.76	4996-054	\$200.61	4996-056	\$200.61	4996-058	\$200.61	NPG
10	10.55 - 10.95	IPS	8403-	1075-	4996-060	\$167.90	4996-062	\$167.90	4996-064	\$213.01	4996-066	\$213.01	4996-068	\$213.01	NPG
10	10.70 - 11.16		8403-	1093-	4996-220	\$167.90	4996-222	\$167.90	4996-224	\$213.01	4996-226	\$213.01	4996-228	\$213.01	NPG
10	10.90 - 11.30	C900, DIP, Cast A - B	8403-	1110-	4996-070	\$167.90	4996-072	\$167.90	4996-074	\$213.01	4996-076	\$213.01	4996-078	\$213.01	NPG
12	12.55 - 12.95	IPS	8403-	1275-	4996-080	\$171.72	4996-082	\$171.72	4996-084	\$224.20	4996-086	\$224.20	4996-088	\$224.20	NPG
12	12.74 - 13.21		8403-	1298-	4996-230	\$171.72	4996-232	\$171.72	4996-234	\$224.20	4996-236	\$224.20	4996-238	\$224.20	NPG
12	13.00 - 13.40	C900, DIP, Cast A - B	8403-	1320-	4996-090	\$171.72	4996-092	\$171.72	4996-094	\$224.20	4996-096	\$224.20	4996-098	\$224.20	NPG
14	13.60 - 14.40	IPS	8403-	1400-	4996-100	\$305.32	4996-102	\$305.32	4996-104	\$318.14	4996-106	\$318.14	4996-108	\$318.14	NPG
14	14.00 - 14.47		8403-	1424-	4996-240	\$305.32	4996-242	\$305.32	4996-244	\$318.14	4996-246	\$318.14	4996-248	\$318.14	NPG
14	14.90 - 15.70	C900/C905, DIP, Cast A - D	8403-	1530-	4996-110	\$305.32	4996-112	\$305.32	4996-114	\$318.14	4996-116	\$318.14	4996-118	\$318.14	NPG
14	15.18 - 15.65		8403-	1542-	4996-250	\$305.32	4996-252	\$305.32	4996-254	\$318.14	4996-256	\$318.14	4996-258	\$318.14	NPG
16	15.60 - 16.40	IPS	8403-	1600-	4996-120	\$321.26	4996-122	\$321.26	4996-124	\$331.82	4996-126	\$331.82	4996-128	\$331.82	NPG
16	16.39 - 16.86		8403-	1663-	4996-260	\$321.26	4996-262	\$321.26	4996-264	\$331.82	4996-266	\$331.82	4996-268	\$331.82	NPG
16	17.00 - 17.80	C900/C905, DIP, Cast A - D	8403-	1740-	4996-130	\$321.26	4996-132	\$321.26	4996-134	\$331.82	4996-136	\$331.82	4996-138	\$331.82	NPG
16	17.28 - 17.75		8403-	1752-	4996-270	\$321.26	4996-272	\$321.26	4996-274	\$331.82	4996-276	\$331.82	4996-278	\$331.82	NPG
18	17.60 - 18.40	IPS	8403-	1800-	4996-140	\$328.98	4996-142	\$328.98	4996-144	\$344.84	4996-146	\$344.84	4996-148	\$344.84	NPG
18	18.64 - 19.11		8403-	1891-	4996-280	\$328.98	4996-282	\$328.98	4996-284	\$344.84	4996-286	\$344.84	4996-288	\$344.84	NPG
18	19.10 - 19.90	C900/C905, DIP, Cast A - B	8403-	1950-	4996-150	\$328.98	4996-152	\$328.98	4996-154	\$344.84	4996-156	\$344.84	4996-158	\$344.84	NPG
20	19.60 - 20.40	IPS	8403-	2000-	4996-160	\$363.08	4996-162	\$363.08	4996-164	\$372.57	4996-166	\$372.57	4996-168	\$372.57	NPG
20	21.20 - 22.00	C900/C905, DIP, Cast A - B	8403-	2160-	4996-170	\$363.08	4996-172	\$363.08	4996-174	\$372.57	4996-176	\$372.57	4996-178	\$372.57	NPG
24	23.60 - 24.40	IPS	8403-	2400-	4996-180	\$377.01	4996-182	\$377.01	4996-184	\$408.14	4996-186	\$408.14	4996-188	\$408.14	NPG
24	25.40 - 26.20	C900/C905, DIP, Cast A - B	8403-	2580-	4996-190	\$377.01	4996-192	\$377.01	4996-194	\$408.14	4996-196	\$408.14	4996-198	\$408.14	NPG
30	29.20 - 30.80	IPS	8403-	3000-	4996-304	\$460.30	4996-306	\$460.30	4996-308	\$495.48	4996-310	\$495.48	4996-312	\$495.48	NPG
30	31.45 - 33.05	C900/C905, DIP, Cast A - D	8403-	3225-	4996-314	\$460.30	4996-316	\$460.30	4996-318	\$495.48	4996-320	\$495.48	4996-322	\$495.48	NPG
36	35.20 - 36.80	IPS	8403-	3600-	4996-324	\$583.03	4996-326	\$583.03	4996-328	\$618.22	4996-330	\$618.22	4996-332	\$618.22	NPG
36	37.80 - 39.40	C900/C905, DIP, Cast A - D	8403-	3860-	4996-293	\$583.03	4996-336	\$583.03	4996-338	\$618.22	4996-340	\$618.22	4996-342	\$618.22	NPG

See page 140 for O.D. Chart

Different sizes and configurations available, please call for details



**8403BW**  
Belleville Washer Kit (for HDPE pipe) - List **\$24.75**  
**Kit includes:** 8 washers, enough for 4 studs (2 per stud)  
Washers should be positioned with the concave sides facing each other.



Install concave washer sides facing each other.





## 78423 Series Integral Corp Saddle with TECK™ Fastening System

A.Y. McDonald's new 78423 Series Integral Corp Saddle not only eliminates an extra leak path, but also gets the installer out of the ditch quicker when tapping a water main. The 78423 Series contains our very popular NL brass body ball valve with a 304 stainless steel Teck™ Fastening System design. A.Y. McDonald ball valve corporation stops all come with a 90° degree (On/Off) enlarged operating head and are made for low turning torques and high pressures (250 PSIG).

Using A.Y. McDonald's new Integral Corp Saddle takes the guess work out of direct tapping into the water main and how far to thread the corporation stop into the main or saddle to get sufficient seal on the threads. Outlet threads adapt to correct drilling machine adapters. Materials meet AWWA C-800 standard. Designed for cast iron OD PVC.



To order 78423 Series Model No. **78423-0690-3TFBQ** means:

1	2	3	4	5	6	7	8	9	10	11
<b>78423</b>	<b>-</b>	<b>0</b>	<b>6</b>	<b>9</b>	<b>0</b>	<b>-</b>	<b>3</b>	<b>TF</b>	<b>B</b>	<b>Q</b>
Series #	Mid O.D. Range of Pipe						Outlet Size	Teck™ Fastening	Ball Style	Outlet End Connection
							3 = 3/4" 4 = 1"			Blank = Flare    T = CTS F = FNPT        -33 = PEP P = MNPT        -3G = PEP -22 = CTS        -3Q = PEP G = CTS            -44 = PVC Q = CTS

Other pipe diameters and end connection configurations available, please contact factory.

### 78423

Part No.	Model	Nominal Size	Pipe O.D.	Outlet	3/4" Outlet CTN/WT	Price	Part No.	1" Outlet CTN/WT	Price
5992-071	78423	6"	6.63	FNPT	1/8	\$265.05	5992-069	1/9	\$337.09
5992-000	78423	6"	6.90	Flare	1/8	\$297.52	5992-033	1/9	\$369.43
5992-003	78423	6"	6.90	CTS	1/8	\$305.87	5992-036	1/8	\$367.26
5992-007	78423	6"	6.90	PEP	1/8	\$335.06	5992-040	1/9	\$408.39
5992-010	78423	6"	6.90	PVC	1/8	\$335.06	5992-043	1/9	\$408.39
5992-001	78423	6"	6.90	FNPT	1/8	\$273.62	5992-034	1/9	\$337.10
5992-002	78423	6"	6.90	MNPT	1/8	\$293.88	5992-035	1/9	\$355.62

Part No.	Model	Nominal Size	Pipe O.D.	Outlet	3/4" Outlet CTN/WT	Price	Part No.	1" Outlet CTN/WT	Price
5992-072	78423	8"	8.63	FNPT	1/8	\$267.20	5992-070	1/9	\$339.25
5992-011	78423	8"	9.05	Flare	1/8	\$299.68	5992-044	1/9	\$371.59
5992-014	78423	8"	9.05	CTS	1/8	\$308.03	5992-047	1/8	\$369.41
5992-018	78423	8"	9.05	PEP	1/8	\$337.22	5992-051	1/9	\$410.55
5992-021	78423	8"	9.05	PVC	1/8	\$337.22	5992-054	1/9	\$410.55
5992-012	78423	8"	9.05	FNPT	1/8	\$275.79	5992-045	1/9	\$339.25
5992-013	78423	8"	9.05	MNPT	1/8	\$296.04	5992-046	1/9	\$357.78

Part No.	Model	Nominal Size	Pipe O.D.	Outlet	3/4" Outlet CTN/WT	Price	Part No.	1" Outlet CTN/WT	Price
5992-073	78423	12"	12.75	FNPT	1/8	\$304.56	5992-074	1/9	\$376.48
5992-022	78423	12"	13.20	Flare	1/8	\$337.03	5992-055	1/9	\$408.95
5992-025	78423	12"	13.20	CTS	1/8	\$345.40	5992-058	1/8	\$406.76
5992-029	78423	12"	13.20	PEP	1/8	\$374.57	5992-062	1/9	\$447.90
5992-032	78423	12"	13.20	PVC	1/8	\$374.57	5992-065	1/9	\$447.90
5992-023	78423	12"	13.20	FNPT	1/8	\$313.14	5992-056	1/9	\$376.61
5992-024	78423	12"	13.20	MNPT	1/8	\$333.39	5992-057	1/9	\$395.12

Service Saddles & Repair Clamps





# Repair Clamps with TECK™ Fastening System (Lifter Plate Optional)

- 425 Series (One Section)
- 435 Series (One Section with Tapped Outlet)
- 825 Series (Two Section)
- 835 Series (Two Section with Tapped Outlet)
- 1625 Series (Four Section)
- 1635 Series (Four Section with Tapped Outlet)

Our Stainless Steel repair clamps feature a fully welded bar, chemically passivated welds, Armor plate, anti-gall nuts, NBR taper grid pattern gasket, optional AWWA or FNPT outlets, and optional conductivity patch. Multiple lengths and sizes are available including standard, custom, and O.D. specific diameter ranges.

## MATERIALS

- Band and Armor Plate** - ASTM A240 Type 304 (18-8) Stainless Steel
- TECK™ Fingers / Lifter Plate:** - ASTM A240 Type 304 (18-8) Stainless Steel
- Gasket** - Nitrile (NBR) Taper Grid Gasket meets ASTM D2000 & NSF 61
- Studs** - ASTM F593 Type 304 (18-8) Stainless Steel
- Nuts** - ASTM F594 Type 304 (18-8) Stainless Steel coated to prevent galling
- Washers** - ASME B18.22.1 Type 304 (18-8) Stainless Steel

## NOTES

- Order Clamps by Model Number, for example 425-0705-12TLP
- All Clamps have Pipe O.D. size identification
- All A.Y. McDonald Clamps meet AWWA standards and are certified to NSF 61
- Rated for 150 PSI working pressure
- Stainless steel armor plate is flush mounted and bonded to the gasket by vulcanization

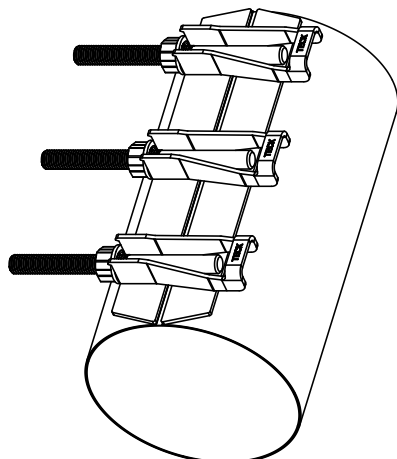
TECK™ (T) Fastening



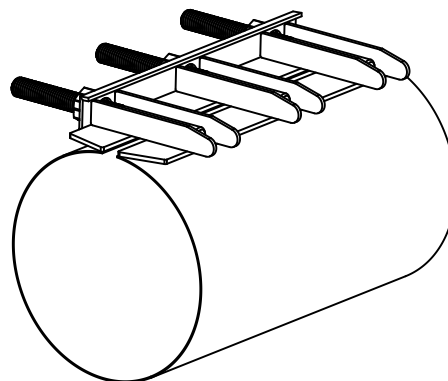
Lifter Plate (TLP)



Conductivity Patch



TECK™ (T)



Lifter Plate (TLP)

Service Saddles & Repair Clamps



## 425 Series

### ONE SECTION

Our Stainless Steel repair clamps feature a fully welded bar, chemically passivated welds, roll plate, anti-gall nuts, NBR taper grid pattern gasket, and optional conductivity patch.

Multiple lengths and sizes are available including standard, custom, and O.D. specific diameter ranges.

### NOTES

- Order Clamps by Model Number, for example 425-0705-12T
- All Clamps have Pipe O.D. identification
- All A.Y. McDonald Clamps meet AWWA standards and are certified to NSF 61
- Rated for 150 PSI working pressure

**Product Example:**  
425-0705-08TLP  
6" x 8"

Lifter Plate  
(TLP)

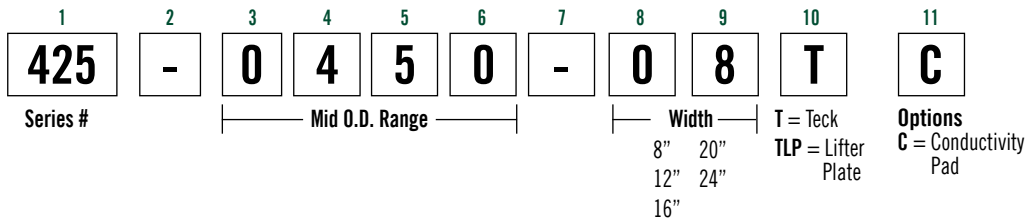


**Product Example:**  
425-0705-12T  
6" x 12" Taper Gasket  
TECK™ Fastening

TECK™  
(T)



To order 425 Series Model No. **425-0450-08T** means:



Nom. O.D.	O.D. Range	Pipe Material	Model #		Width										Standard
			Series #	Mid O.D. Range #	Part No.	8" (2 bolt) Add -08	Part No.	12" (3 bolt) Add -12	Part No.	16" (4 bolt) Add -16	Part No.	20" (5 bolt) Add -20	Part No.	24" (6 bolt) Add -24	
4	4.30 - 4.70	IPS	425-	0450-	4994-035	\$131.40	4994-036	\$206.61	4994-037	\$224.20	4994-038	\$360.11	4994-039	\$457.31	T
4	4.40 - 4.80		425-	0460-	4994-040	\$131.40	4994-041	\$206.61	4994-042	\$224.20	4994-043	\$360.11	4994-044	\$457.31	T
4	4.60 - 5.00	C900/DIP/Cast A	425-	0480-	4994-045	\$131.40	4994-046	\$206.61	4994-047	\$224.20	4994-048	\$360.11	4994-049	\$457.31	T
4	4.75 - 5.15		425-	0495-	4994-050	\$131.40	4994-051	\$206.61	4994-052	\$224.20	4994-053	\$360.11	4994-054	\$457.31	T
4	4.80 - 5.20	Cast B, C, D	425-	0500-	4994-055	\$131.40	4994-056	\$206.61	4994-057	\$224.20	4994-058	\$360.11	4994-059	\$457.31	T
4	5.00 - 5.40		425-	0520-	4994-060	\$131.40	4994-061	\$206.61	4994-062	\$224.20	4994-063	\$360.11	4994-064	\$457.31	T
6	6.00 - 6.40		425-	0620-	4994-432	\$156.87	4994-433	\$247.12	4994-434	\$272.64	4994-435	\$445.02	4994-436	\$534.91	T
6	6.40 - 6.80		425-	0660-	4994-000	\$156.87	4994-001	\$247.12	4994-002	\$272.64	4994-003	\$445.02	4994-004	\$534.91	T
6	6.43 - 6.83	IPS	425-	0663-	4994-005	\$156.87	4994-006	\$247.12	4994-007	\$272.64	4994-008	\$445.02	4994-009	\$534.91	T
6	6.55 - 6.95		425-	0675-	4994-438	\$156.87	4994-439	\$247.12	4994-440	\$272.64	4994-441	\$445.02	4994-442	\$534.91	T
6	6.70 - 7.10	C900/DIP/Cast A	425-	0690-	4994-010	\$156.87	4994-011	\$247.12	4994-012	\$272.64	4994-013	\$445.02	4994-014	\$534.91	T
6	6.80 - 7.20		425-	0700-	4994-015	\$156.87	4994-016	\$247.12	4994-017	\$272.64	4994-018	\$445.02	4994-019	\$534.91	T
6	6.85 - 7.25		425-	0705-	4994-020	\$156.87	4994-021	\$247.12	4994-022	\$272.64	4994-023	\$445.02	4994-024	\$534.91	T
6	6.90 - 7.30	Cast B, C, D	425-	0710-	4994-025	\$156.87	4994-026	\$247.12	4994-027	\$272.64	4994-028	\$445.02	4994-029	\$534.91	T
6	7.10 - 7.50		425-	0730-	4994-030	\$156.87	4994-031	\$247.12	4994-032	\$272.64	4994-033	\$445.02	4994-034	\$534.91	T
6	7.30 - 7.70		425-	0750-	4994-444	\$156.87	4994-445	\$247.12	4994-446	\$272.64	4994-447	\$445.02	4994-448	\$534.91	T

See page 140 for O.D. Chart

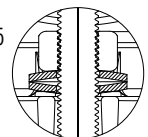
Different sizes and configurations available, please call for details.  
NBR grid gasket certified to Standard NSF 61.

For other widths contact factory

Options		
T	Taper Gasket & Teck™ Fastening System (Standard)	List Price Above
TLP	Taper Gasket & Lifter Plate Fastening System	Deduct \$6.16
C	Conductivity Pad	\$4.93 Adder



**8403BW**  
Belleville Washer Kit (for HDPE pipe) - List \$24.75  
Kit includes: 8 washers, enough for 4 studs (2 per stud) Washers should be positioned with the concave sides facing each other.



## 425 Series

### ONE SECTION

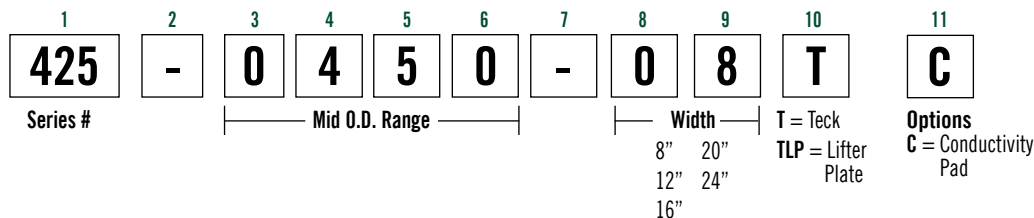
Our Stainless Steel repair clamps feature a fully welded bar, chemically passivated welds, roll plate, anti-gall nuts, NBR taper grid pattern gasket, and optional conductivity patch.

Multiple lengths and sizes are available including standard, custom, and O.D. specific diameter ranges.

### NOTES

- Order Clamps by Model Number, for example 425-0705-12T
- All Clamps have Pipe O.D. identification
- All A.Y. McDonald Clamps meet AWWA standards and are certified to NSF 61
- Rated for 150 PSI working pressure

To order 425 Series Model No. **425-0450-08T** means:



Nom. O.D.	O.D. Range	Pipe Material	Model #		Width										Standard
			Series #	Mid O.D. Range #	Part No.	8" (2 bolt) Add -08	Part No.	12" (3 bolt) Add -12	Part No.	16" (4 bolt) Add -16	Part No.	20" (5 bolt) Add -20	Part No.	24" (6 bolt) Add -24	
8	8.00 - 8.40		425-	0820-	4994-065	\$182.90	4994-066	\$289.50	4994-067	\$330.04	4994-068	\$480.32	4994-069	\$598.62	T
8	8.40 - 8.80		425-	0860-	4994-070	\$182.90	4994-071	\$289.50	4994-072	\$330.04	4994-073	\$480.32	4994-074	\$598.62	T
8	8.43 - 8.83	IPS	425-	0863-	4994-075	\$182.90	4994-076	\$289.50	4994-077	\$330.04	4994-078	\$480.32	4994-079	\$598.62	T
8	8.65 - 9.05		425-	0885-	4994-450	\$182.90	4994-451	\$289.50	4994-452	\$330.04	4994-453	\$480.32	4994-454	\$598.62	T
8	8.85 - 9.25	C900/DIP/Cast A, B	425-	0905-	4994-080	\$182.90	4994-081	\$289.50	4994-082	\$330.04	4994-083	\$480.32	4994-084	\$598.62	T
8	8.98 - 9.38		425-	0918-	4994-085	\$182.90	4994-086	\$289.50	4994-087	\$330.04	4994-088	\$480.32	4994-089	\$598.62	T
8	9.10 - 9.50	Cast C - D	425-	0930-	4994-090	\$182.90	4994-091	\$289.50	4994-092	\$330.04	4994-093	\$480.32	4994-094	\$598.62	T
8	9.30 - 9.70		425-	0950-	4994-095	\$182.90	4994-096	\$289.50	4994-097	\$330.04	4994-098	\$480.32	4994-099	\$598.62	T
10	10.10 - 10.50		425-	1030 -	4994-456	\$249.60	4994-457	\$388.34	4994-458	\$445.93	4994-459	\$593.42	4994-460	\$874.01	T
10	10.50 - 10.90		425-	1070 -	4994-100	\$249.60	4994-101	\$388.34	4994-102	\$445.93	4994-103	\$593.42	4994-104	\$874.01	T
10	10.55 - 10.95	IPS	425-	1075 -	4994-105	\$249.60	4994-106	\$388.34	4994-107	\$445.93	4994-108	\$593.42	4994-109	\$874.01	T
10	10.75 - 11.15		425-	1095 -	4994-462	\$249.60	4994-463	\$388.34	4994-464	\$445.93	4994-465	\$593.42	4994-466	\$874.01	T
10	10.90 - 11.30	C900, DIP, Cast A, B	425-	1110 -	4994-110	\$249.60	4994-111	\$388.34	4994-112	\$445.93	4994-113	\$593.42	4994-114	\$874.01	T
10	11.05 - 11.45		425-	1125 -	4994-115	\$249.60	4994-116	\$388.34	4994-117	\$445.93	4994-118	\$593.42	4994-119	\$874.01	T
10	11.20 - 11.60	Cast C, D	425-	1140 -	4994-120	\$249.60	4994-121	\$388.34	4994-122	\$445.93	4994-123	\$593.42	4994-124	\$874.01	T
10	11.60 - 12.00		425-	1180 -	4994-125	\$249.60	4994-126	\$388.34	4994-127	\$445.93	4994-128	\$593.42	4994-129	\$874.01	T
10	11.85 - 12.25		425-	1205 -	4994-130	\$249.60	4994-131	\$388.34	4994-132	\$445.93	4994-133	\$593.42	4994-134	\$874.01	T
12	12.10 - 12.50		425-	1230 -	4994-468	\$282.89	4994-469	\$448.78	4994-470	\$506.52	4994-471	\$703.45	4994-472	\$965.54	T
12	12.50 - 12.90		425-	1270 -	4994-474	\$282.89	4994-475	\$448.78	4994-476	\$506.52	4994-477	\$703.45	4994-478	\$965.54	T
12	12.55 - 12.95	IPS	425-	1275 -	4994-135	\$282.89	4994-136	\$448.78	4994-137	\$506.52	4994-138	\$703.45	4994-139	\$965.54	T
12	13.00 - 13.40	C900/DIP/ Cast A, B	425-	1320 -	4994-140	\$282.89	4994-141	\$448.78	4994-142	\$506.52	4994-143	\$703.45	4994-144	\$965.54	T
12	13.15 - 13.55		425-	1335 -	4994-145	\$282.89	4994-146	\$448.78	4994-147	\$506.52	4994-148	\$703.45	4994-149	\$965.54	T
12	13.30 - 13.70	Cast C, D	425-	1350 -	4994-150	\$282.89	4994-151	\$448.78	4994-152	\$506.52	4994-153	\$703.45	4994-154	\$965.54	T
12	13.40 - 13.80		425-	1360 -	4994-155	\$282.89	4994-156	\$448.78	4994-157	\$506.52	4994-158	\$703.45	4994-159	\$965.54	T
12	13.80 - 14.20		425-	1400 -	4994-160	\$282.89	4994-161	\$448.78	4994-162	\$506.52	4994-163	\$703.45	4994-164	\$965.54	T

See page 140 for O.D. Chart

Different sizes and configurations available, please call for details. NBR grid gasket certified to Standard NSF 61.

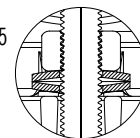
For other widths contact factory

Options		
T	Taper Gasket & Teck™ Fastening System (Standard)	List Price Above
TLP	Taper Gasket & Lifter Plate Fastening System	Deduct \$6.16
C	Conductivity Pad	\$4.93 Adder



#### 8403BW

Belleville Washer Kit (for HDPE pipe) - List \$24.75  
**Kit includes:** 8 washers, enough for 4 studs (2 per stud) Washers should be positioned with the concave sides facing each other.



# Repair Clamps

## 435 Series

### ONE SECTION WITH TAPPED OUTLET

Our Stainless Steel repair clamps with tapped outlet feature AWWA or FNPT outlets, a fully welded bar, chemically passivated welds, roll plate, anti-gall nuts, NBR taper grid pattern gasket, and optional conductivity patch.

Multiple lengths and sizes are available including standard, custom, and O.D. specific diameter ranges.

### NOTES

- Order Clamps by Model Number, for example 435-0705-12-A4T
- All Clamps have Pipe O.D. identification
- All A.Y. McDonald Clamps meet AWWA standards and are certified to NSF 61
- Rated for 150 PSI working pressure

### Product Example:

435-0705-12-A3T

6" x 12" x 3/4"

AWWA CC Taper Gasket



TECK™ (T)



Lifter Plate (TLP)

To order 435 Series Model No. **435-0450-08-A3T** means:

1	2	3	4	5	6	7	8	9	10	11	12	13
<b>435</b>	<b>-</b>	<b>0</b>	<b>4</b>	<b>5</b>	<b>0</b>	<b>-</b>	<b>08</b>	<b>-</b>	<b>A</b>	<b>3</b>	<b>T</b>	<b>C</b>
Series #	Mid O.D. Range					Width	Tap Configuration	Tap Size	T = Teck TLP = Lifter Plate	Options C = Conductivity Pad		
						08 = 8" 12 = 12" 16 = 16" 20 = 20" 24 = 24"	A = AWWA F = FNPT	3 = 3/4" 4 = 1" 5 = 1 1/4" 6 = 1 1/2" 7 = 2"				

Nom. O.D.	O.D. Range	Pipe Material	Model #		Width										Standard
			Series #	Mid O.D. Range #	Part No.	8" (2 bolt) Add -08	Part No.	12" (3 bolt) Add -12	Part No.	16" (4 bolt) Add -16	Part No.	20" (5 bolt) Add -20	Part No.	24" (6 bolt) Add -24	
4	4.30 - 4.70	IPS	435-	0450-		\$131.40		\$206.61		\$224.20		\$360.11		\$457.31	T
4	4.40 - 4.80		435-	0460-		\$131.40		\$206.61		\$224.20		\$360.11		\$457.31	T
4	4.60 - 5.00	C900/DIP/Cast A	435-	0480-		\$131.40		\$206.61		\$224.20		\$360.11		\$457.31	T
4	4.75 - 5.15		435-	0495-		\$131.40		\$206.61		\$224.20		\$360.11		\$457.31	T
4	4.80 - 5.20		435-	0500-		\$131.40		\$206.61		\$224.20		\$360.11		\$457.31	T
4	5.00 - 5.40	Cast B, C, D	435-	0520-		\$131.40		\$206.61		\$224.20		\$360.11		\$457.31	T
6	6.00 - 6.40		435-	0620-		\$156.87		\$247.12		\$272.64		\$445.02		\$534.91	T
6	6.40 - 6.80		435-	0660-		\$156.87		\$247.12		\$272.64		\$445.02		\$534.91	T
6	6.43 - 6.83	IPS	435-	0663-		\$156.87		\$247.12		\$272.64		\$445.02		\$534.91	T
6	6.55 - 6.95		435-	0675-		\$156.87		\$247.12		\$272.64		\$445.02		\$534.91	T
6	6.70 - 7.10	C900/DIP/Cast A	435-	0690-		\$156.87		\$247.12		\$272.64		\$445.02		\$534.91	T
6	6.80 - 7.20		435-	0700-		\$156.87		\$247.12		\$272.64		\$445.02		\$534.91	T
6	6.85 - 7.25		435-	0705-		\$156.87		\$247.12		\$272.64		\$445.02		\$534.91	T
6	6.90 - 7.30		435-	0710-		\$156.87		\$247.12		\$272.64		\$445.02		\$534.91	T
6	7.10 - 7.50	Cast B, C, D	435-	0730-		\$156.87		\$247.12		\$272.64		\$445.02		\$534.91	T
6	7.30 - 7.70		435-	0750-		\$156.87		\$247.12		\$272.64		\$445.02		\$534.91	T

See page 140 for O.D. Chart

Different sizes and configurations available, please call for details.  
NBR grid gasket certified to Standard NSF 61.

For other widths contact factory

### Tap - Adders

Type		Outlet	Type		Outlet
F = FNPT	A = AWWA	Size:	F = FNPT	A = AWWA	Size:
\$69.71	\$69.71	3 = 3/4"	\$89.98	\$89.98	6 = 1 1/2"
\$69.71	\$69.71	4 = 1"	\$99.90	\$111.62	7 = 2"
\$89.98	\$89.98	5 = 1 1/4"			

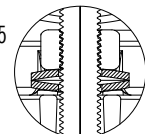
### Options

T	Taper Gasket & Teck™ Fastening System (Standard)	List Price Above
TLP	Taper Gasket & Lifter Plate Fastening System	Deduct \$6.16
C	Conductivity Pad	\$4.93 Adder



### 8403BW

Belleville Washer Kit (for HDPE pipe) - List \$24.75  
Kit includes: 8 washers, enough for 4 studs (2 per stud) Washers should be positioned with the concave sides facing each other.



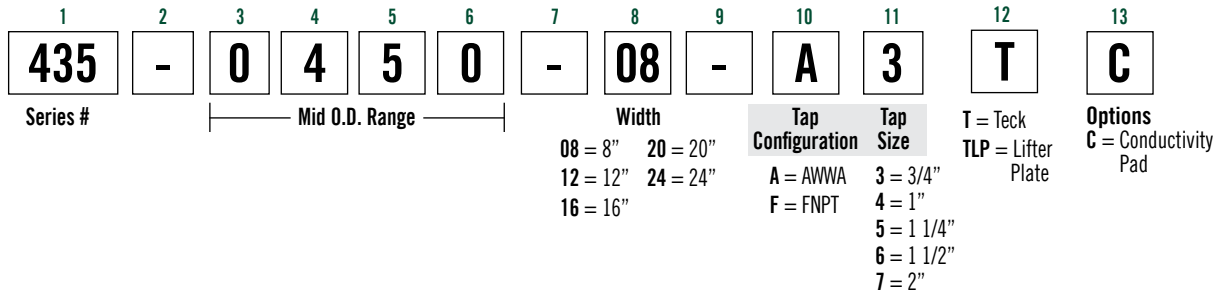
## 435 Series

### ONE SECTION WITH TAPPED OUTLET

Our Stainless Steel repair clamps with tapped outlet feature AWWA or FNPT outlets, a fully welded bar, chemically passivated welds, roll plate, anti-gall nuts, NBR taper grid pattern gasket, and optional conductivity patch.

Multiple lengths and sizes are available including standard, custom, and O.D. specific diameter ranges.

To order 435 Series Model No. **435-0450-08-A3T** means:



### NOTES

- Order Clamps by Model Number, for example 435-0705-12-A4T
- All Clamps have Pipe O.D. identification
- All A.Y. McDonald Clamps meet AWWA standards and are certified to NSF 61
- Rated for 150 PSI working pressure

Nom. O.D.	O.D. Range	Pipe Material	Model #		Width										Standard
			Series #	Mid O.D. Range #	Part No.	8" (2 bolt) Add -08	Part No.	12" (3 bolt) Add -12	Part No.	16" (4 bolt) Add -16	Part No.	20" (5 bolt) Add -20	Part No.	24" (6 bolt) Add -24	
8	8.00 - 8.40		435-	0820-		\$182.90		\$289.50		\$330.04		\$480.32		534.47	T
8	8.40 - 8.80		435-	0860-		\$182.90		\$289.50		\$330.04		\$480.32		534.47	T
8	8.43 - 8.83	IPS	435-	0863-		\$182.90		\$289.50		\$330.04		\$480.32		534.47	T
8	8.65 - 9.05		435-	0885-		\$182.90		\$289.50		\$330.04		\$480.32		534.47	T
8	8.85 - 9.25	C900/DIP/Cast A, B	435-	0905-		\$182.90		\$289.50		\$330.04		\$480.32		534.47	T
8	8.98 - 9.38		435-	0918-		\$182.90		\$289.50		\$330.04		\$480.32		534.47	T
8	9.10 - 9.50	Cast C, D	435-	0930-		\$182.90		\$289.50		\$330.04		\$480.32		534.47	T
8	9.30 - 9.70		435-	0950-		\$182.90		\$289.50		\$330.04		\$480.32		534.47	T
10	10.10 - 10.50		435-	1030-		\$249.60		\$388.34		\$445.93		\$593.42		780.37	T
10	10.50 - 10.90		435-	1070-		\$249.60		\$388.34		\$445.93		\$593.42		780.37	T
10	10.55 - 10.95	IPS	435-	1075-		\$249.60		\$388.34		\$445.93		\$593.42		780.37	T
10	10.75 - 11.15		435-	1095-		\$249.60		\$388.34		\$445.93		\$593.42		780.37	T
10	10.90 - 11.30	C900/DIP/Cast A, B	435-	1110-		\$249.60		\$388.34		\$445.93		\$593.42		780.37	T
10	11.05 - 11.45		435-	1125-		\$249.60		\$388.34		\$445.93		\$593.42		780.37	T
10	11.20 - 11.60	Cast C, D	435-	1140-		\$249.60		\$388.34		\$445.93		\$593.42		780.37	T
10	11.60 - 12.00		435-	1180-		\$249.60		\$388.34		\$445.93		\$593.42		780.37	T
10	11.85 - 12.25		435-	1205-		\$249.60		\$388.34		\$445.93		\$593.42		780.37	T
12	12.10 - 12.50		435-	1230-		\$282.89		\$448.78		\$506.52		\$703.45		862.09	T
12	12.50 - 12.90		435-	1270-		\$282.89		\$448.78		\$506.52		\$703.45		862.09	T
12	12.55 - 12.95	IPS	435-	1275-		\$282.89		\$448.78		\$506.52		\$703.45		862.09	T
12	13.00 - 13.40	C900/DIP/Cast A, B	435-	1320-		\$282.89		\$448.78		\$506.52		\$703.45		862.09	T
12	13.15 - 13.55		435-	1335-		\$282.89		\$448.78		\$506.52		\$703.45		862.09	T
12	13.30 - 13.70	Cast C, D	435-	1350-		\$282.89		\$448.78		\$506.52		\$703.45		862.09	T
12	13.40 - 13.80		435-	1360-		\$282.89		\$448.78		\$506.52		\$703.45		862.09	T
12	13.80 - 14.20		435-	1400-		\$282.89		\$448.78		\$506.52		\$703.45		862.09	T

See page 140 for O.D. Chart

Different sizes and configurations available, please call for details.  
NBR grid gasket certified to Standard NSF 61.

For other widths contact factory

#### Tap - Adders

Type		Outlet		Type		Outlet	
F = FNPT	A = AWWA	Size:	F = FNPT	A = AWWA	Size:	F = FNPT	A = AWWA
\$69.71	\$69.71	3 = 3/4"	\$89.98	\$89.98	6 = 1 1/2"		
\$69.71	\$69.71	4 = 1"	\$99.90	\$111.62	7 = 2"		
\$89.98	\$89.98	5 = 1 1/4"					

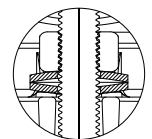
#### Options

T	Taper Gasket & Teck™ Fastening System (Standard)	List Price Above
TLP	Taper Gasket & Lifter Plate Fastening System	Deduct \$6.16
C	Conductivity Pad	\$4.93 Adder



#### 8403BW

Belleville Washer Kit (for HDPE pipe) - List \$24.75  
Kit includes: 8 washers, enough for 4 studs (2 per stud) Washers should be positioned with the concave sides facing each other.



# Repair Clamps

## 825 Series

### TWO SECTIONS

Our Stainless Steel repair clamps feature a fully welded bar, chemically passivated welds, roll plate, anti-gall nuts, NBR taper grid pattern gasket, and optional conductivity patch.

Multiple lengths and sizes are available including standard, custom, and O.D. specific diameter ranges.

### NOTES

- Order Clamps by Model Number, for example 825-0905-12T
- All Clamps have Pipe O.D. identification
- All A.Y. McDonald Clamps meet AWWA standards and are certified to NSF 61
- Rated for 150 PSI working pressure

**Product Example:**  
825-1760-20T  
16" x 20" Taper Gasket

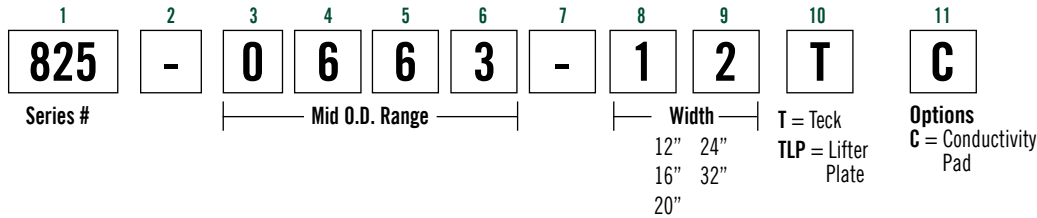


TECK™ (T)



Lifter Plate (TLP)

To order 825 Series Model No. **825-0663-12T** means:



Service Saddles & Repair Clamps

Nom. O.D.	O.D. Range	Pipe Material	Model #		Width										Standard
			Series #	Mid O.D. Range #	Part No.	12" (3 bolts per side) Add -12	Part No.	16" (4 bolts per side) Add -16	Part No.	20" (5 bolts per side) Add -20	Part No.	24" (6 bolts per side) Add -24	Part No.	32" (8 bolts per side) Add -32	
6	6.23 - 7.03	IPS	825-	0663-	4994-170	\$336.46	4994-171	\$418.70	4994-172	\$574.45	4994-173	\$766.34	4994-174	\$895.17	T
6	6.50 - 7.30	C900/DIP/Cast A	825-	0690-	4994-175	\$336.46	4994-176	\$418.70	4994-177	\$574.45	4994-178	\$766.34	4994-179	\$895.17	T
6	6.60 - 7.40		825-	0700-	4994-180	\$336.46	4994-181	\$418.70	4994-182	\$574.45	4994-183	\$766.34	4994-184	\$895.17	T
6	6.70 - 7.50	Cast B, C, D	825-	0710-	4994-185	\$336.46	4994-186	\$418.70	4994-187	\$574.45	4994-188	\$766.34	4994-189	\$895.17	T
8	8.23 - 9.03	IPS	825-	0863-	4994-190	\$373.78	4994-191	\$477.13	4994-192	\$651.11	4994-193	\$874.43	4994-194	\$1,004.72	T
8	8.60 - 9.40		825-	0900-	4994-195	\$373.78	4994-196	\$477.13	4994-197	\$651.11	4994-198	\$874.43	4994-199	\$1,004.72	T
8	8.60 - 9.45	C900/DIP/Cast A, B	825-	0905-	4994-200	\$373.78	4994-201	\$477.13	4994-202	\$651.11	4994-203	\$874.43	4994-204	\$1,004.72	T
8	8.90 - 9.70	Cast C, D	825-	0930-	4994-205	\$373.78	4994-206	\$477.13	4994-207	\$651.11	4994-208	\$874.43	4994-209	\$1,004.72	T
10	10.35 - 11.15	IPS	825-	1075-	4994-210	\$581.71	4994-211	\$599.91	4994-212	\$800.31	4994-213	\$1,076.01	4994-214	\$1,244.68	T
10	10.70 - 11.50	C900/DIP/Cast A, B	825-	1110-	4994-215	\$581.71	4994-216	\$599.91	4994-217	\$800.31	4994-218	\$1,076.01	4994-219	\$1,244.68	T
10	11.00 - 11.80	Cast C - D	825-	1140-	4994-220	\$581.71	4994-221	\$599.91	4994-222	\$800.31	4994-223	\$1,076.01	4994-224	\$1,244.68	T
12	12.35 - 13.15	IPS	825-	1275-	4994-225	\$659.62	4994-226	\$677.36	4994-227	\$923.62	4994-228	\$1,193.56	4994-229	\$1,422.99	T
12	12.72 - 13.52		825-	1312-	4994-230	\$659.62	4994-231	\$677.36	4994-232	\$923.62	4994-233	\$1,193.56	4994-234	\$1,422.99	T
12	12.80 - 13.60	C900/DIP/Cast A, B	825-	1320-	4994-235	\$659.62	4994-236	\$677.36	4994-237	\$923.62	4994-238	\$1,193.56	4994-239	\$1,422.99	T
12	13.10 - 13.90	Cast C, D	825-	1350-	4994-240	\$659.62	4994-241	\$677.36	4994-242	\$923.62	4994-243	\$1,193.56	4994-244	\$1,422.99	T
14	13.60 - 14.40	IPS	825-	1400-	4994-245	\$744.82	4994-246	\$814.30	4994-247	\$1,043.06	4994-248	\$1,348.39	4994-249	\$1,610.96	T
14	14.90 - 15.70	C900/C905/DIP/Cast A, B	825-	1530-	4994-250	\$744.82	4994-251	\$814.30	4994-252	\$1,043.06	4994-253	\$1,348.39	4994-254	\$1,610.96	T
14	15.00 - 15.80		825-	1540-	4994-255	\$744.82	4994-256	\$814.30	4994-257	\$1,043.06	4994-258	\$1,348.39	4994-259	\$1,610.96	T
14	15.25 - 16.05	Cast C, D	825-	1565-	4994-260	\$744.82	4994-261	\$814.30	4994-262	\$1,043.06	4994-263	\$1,348.39	4994-264	\$1,610.96	T

See page 140 for O.D. Chart

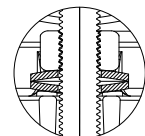
**Different sizes and configurations available, please call for details.  
NBR grid gasket certified to Standard NSF 61.**

**For other widths contact factory**

Options		
T	Taper Gasket & Teck™ Fastening System (Standard)	List Price Above
TLP	Taper Gasket & Lifter Plate Fastening System	Deduct \$6.16
C	Conductivity Pad	\$4.93 Adder



**8403BW**  
Belleville Washer Kit (for HDPE pipe) - List \$24.75  
**Kit includes:** 8 washers, enough for 4 studs (2 per stud) Washers should be positioned with the concave sides facing each other.





## 825 Series

### TWO SECTIONS

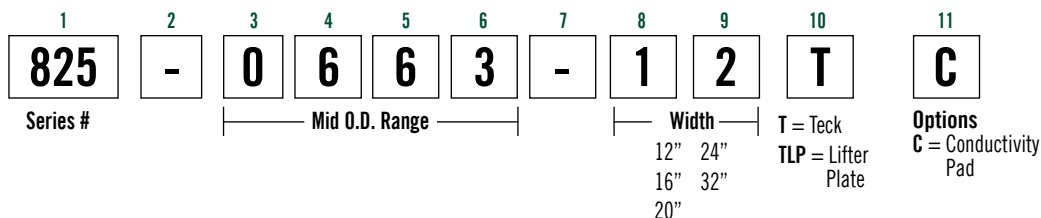
Our Stainless Steel repair clamps feature a fully welded bar, chemically passivated welds, roll plate, anti-gall nuts, NBR taper grid pattern gasket, and optional conductivity patch.

Multiple lengths and sizes are available including standard, custom, and O.D. specific diameter ranges.

### NOTES

- Order Clamps by Model Number, for example 825-0905-12T
- All Clamps have Pipe O.D. identification
- All A.Y. McDonald Clamps meet AWWA standards and are certified to NSF 61
- Rated for 150 PSI working pressure

To order 825 Series Model No. **825-0663-12T** means:



Nom. O.D.	O.D. Range	Pipe Material	Model #		Width										Standard
			Series #	Mid O.D. Range #	Part No.	12" (3 bolts per side) Add -12	Part No.	16" (4 bolts per side) Add -16	Part No.	20" (5 bolts per side) Add -20	Part No.	24" (6 bolts per side) Add -24	Part No.	32" (8 bolts per side) Add -32	
16	15.60 - 16.40	IPS	825-	1600-	4994-265	\$802.36	4994-266	\$891.76	4994-267	\$1,160.41	4994-268	\$1,502.18	4994-269	\$1,847.31	T
16	17.00 - 17.80	C900/C905/DIP/Cast A, B	825-	1740-	4994-270	\$802.36	4994-271	\$891.76	4994-272	\$1,160.41	4994-273	\$1,502.18	4994-274	\$1,847.31	T
16	17.20 - 18.00		825-	1760-	4994-275	\$802.36	4994-276	\$891.76	4994-277	\$1,160.41	4994-278	\$1,502.18	4994-279	\$1,847.31	T
16	17.40 - 18.20	Cast C, D	825-	1780-	4994-280	\$802.36	4994-281	\$891.76	4994-282	\$1,160.41	4994-283	\$1,502.18	4994-284	\$1,847.31	T
18	17.60 - 18.40	IPS	825-	1800-	4994-285	\$953.04	4994-286	\$1,067.08	4994-287	\$1,332.32	4994-288	\$1,730.18	4994-289	\$2,128.00	T
18	19.10 - 19.90	C900/C905/DIP/Cast A, B	825-	1950-	4994-290	\$953.04	4994-291	\$1,067.08	4994-292	\$1,332.32	4994-293	\$1,730.18	4994-294	\$2,128.00	T
18	19.20 - 20.00		825-	1960-	4994-295	\$953.04	4994-296	\$1,067.08	4994-297	\$1,332.32	4994-298	\$1,730.18	4994-299	\$2,128.00	T
18	19.52 - 20.32	Cast C, D	825-	1992-	4994-300	\$953.04	4994-301	\$1,067.08	4994-302	\$1,332.32	4994-303	\$1,730.18	4994-304	\$2,128.00	T
20	19.60 - 20.40	IPS	825-	2000-	4994-305	\$1,158.62	4994-306	\$1,302.68	4994-307	\$1,642.87	4994-308	\$2,052.05	4994-309	\$2,456.90	T
20	21.20 - 22.00	C900/C905/DIP, Cast A, B	825-	2160-	4994-310	\$1,158.62	4994-311	\$1,302.68	4994-312	\$1,642.87	4994-313	\$2,052.05	4994-314	\$2,456.90	T
20	21.40 - 22.20		825-	2180-	4994-315	\$1,158.62	4994-316	\$1,302.68	4994-317	\$1,642.87	4994-318	\$2,052.05	4994-319	\$2,456.90	T
20	21.66 - 22.46	Cast C, D	825-	2206-	4994-320	\$1,158.62	4994-321	\$1,302.68	4994-322	\$1,642.87	4994-323	\$2,052.05	4994-324	\$2,456.90	T

See page 140 for O.D. Chart

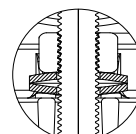
Different sizes and configurations available, please call for details.  
NBR grid gasket certified to Standard NSF 61.

For other widths contact factory

Options		
T	Taper Gasket & Teck™ Fastening System (Standard)	List Price Above
TLP	Taper Gasket & Lifter Plate Fastening System	Deduct \$6.16
C	Conductivity Pad	\$4.93 Adder



**8403BW**  
Belleville Washer Kit (for HDPE pipe) - List \$24.75  
Kit includes: 8 washers, enough for 4 studs  
(2 per stud) Washers should be positioned with the concave sides facing each other.



# Repair Clamps

## 835 Series

### TWO SECTIONS WITH TAPPED OUTLET

Our Stainless Steel repair clamps with tapped outlet feature AWWA or FNPT outlets, a fully welded bar, chemically passivated welds, roll plate, anti-gall nuts, NBR taper grid pattern gasket, and optional conductivity patch.

Multiple lengths and sizes are available including standard, custom, and O.D. specific diameter ranges.

### NOTES

- Order Clamps by Model Number, for example 835-0905-12-A4T
- All Clamps have Pipe O.D. identification
- All A.Y. McDonald Clamps meet AWWA standards and are certified to NSF 61
- Rated for 150 PSI working pressure

To order 835 Series Model No. **835-0663-12-A3T** means:

1	2	3	4	5	6	7	8	9	10	11	10	11
<b>835</b>	<b>-</b>	<b>0</b>	<b>6</b>	<b>6</b>	<b>3</b>	<b>-</b>	<b>12</b>	<b>-</b>	<b>A</b>	<b>3</b>	<b>T</b>	<b>C</b>
Series #	Mid O.D. Range					Width	Tap Configuration	Tap Size	T = Teck TLP = Lifter Plate		Options C = Conductivity Pad	
						12 = 12" 16 = 16" 20 = 20"	24 = 24" 32 = 32"	A = AWWA F = FNPT	3 = 3/4" 4 = 1" 5 = 1 1/4" 6 = 1 1/2" 7 = 2"			

**Product Example:**  
835-1760-20-A7T  
16" x 20" x 2" AWWA  
CC Taper Gasket



Service Saddles & Repair Clamps

Nom. O.D.	O.D. Range	Pipe Material	Model #		Width								Standard		
			Series #	Mid O.D. Range #	Part No.	12" (3 bolts per side) Add -12	Part No.	16" (4 bolts per side) Add -16	Part No.	20" (5 bolts per side) Add -20	Part No.	24" (6 bolts per side) Add -24		Part No.	32" (8 bolts per side) Add -32
6	6.23 - 7.03	IPS	835-	0663-		\$336.46		\$418.70		\$574.45		\$766.34		799.26	T
6	6.50 - 7.30	C900/DIP/Cast A	835-	0690-		\$336.46		\$418.70		\$574.45		\$766.34		799.26	T
6	6.60 - 7.40		835-	0700-		\$336.46		\$418.70		\$574.45		\$766.34		799.26	T
6	6.70 - 7.50	Cast B, C, D	835-	0710-		\$336.46		\$418.70		\$574.45		\$766.34		799.26	T
8	8.23 - 9.03	IPS	835-	0863-		\$373.78		\$477.13		\$651.11		\$874.43		897.07	T
8	8.60 - 9.40		835-	0900-		\$373.78		\$477.13		\$651.11		\$874.43		897.07	T
8	8.65 - 7.45	C900/DIP/Cast A, B	835-	0905-		\$373.78		\$477.13		\$651.11		\$874.43		897.07	T
8	8.90 - 9.70	Cast C, D	835-	0930-		\$373.78		\$477.13		\$651.11		\$874.43		897.07	T
10	10.35 - 11.15	IPS	835-	1075-		\$581.71		\$599.91		\$800.31		\$1,076.01		1111.31	T
10	10.70 - 11.50	C900/DIP/Cast A	835-	1110-		\$581.71		\$599.91		\$800.31		\$1,076.01		1111.31	T
10	11.00 - 11.80	Cast C, D	835-	1140-		\$581.71		\$599.91		\$800.31		\$1,076.01		1111.31	T
12	12.35 - 13.15	IPS	835-	1275-		\$659.62		\$677.36		\$923.62		\$1,193.56		1270.53	T
12	12.72 - 13.52		835-	1312-		\$659.62		\$677.36		\$923.62		\$1,193.56		1270.53	T
12	12.80 - 13.60	C900/DIP/Cast A, B	835-	1320-		\$659.62		\$677.36		\$923.62		\$1,193.56		1270.53	T
12	13.10 - 13.90	Cast C, D	835-	1350-		\$659.62		\$677.36		\$923.62		\$1,193.56		1270.53	T
14	13.60 - 14.40	IPS	835-	1400-		\$744.82		\$814.30		\$1,043.06		\$1,348.39		1438.36	T
14	14.90 - 15.70	C900/C905/DIP/Cast A, B	835-	1530-		\$744.82		\$814.30		\$1,043.06		\$1,348.39		1438.36	T
14	15.00 - 15.80		835-	1540-		\$744.82		\$814.30		\$1,043.06		\$1,348.39		1438.36	T
14	15.25 - 16.05	Cast C, D	835-	1565-		\$744.82		\$814.30		\$1,043.06		\$1,348.39		1438.36	T

See page 140 for O.D. Chart

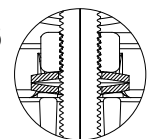
Tap - Adders							
Type		Outlet		Type		Outlet	
F = FNPT	A = AWWA	Size:		F = FNPT	A = AWWA	Size:	
\$69.71	\$69.71	3 = 3/4"		\$89.98	\$89.98	6 = 1 1/2"	
\$69.71	\$69.71	4 = 1"		\$99.90	\$111.62	7 = 2"	
\$89.98	\$89.98	5 = 1 1/4"					

Options		
T	Taper Gasket & Teck™ Fastening System (Standard)	List Price Above
TLP	Taper Gasket & Lifter Plate Fastening System	Deduct \$6.16
C	Conductivity Pad	\$4.93 Adder

Different sizes and configurations available, please call for details.  
NBR grid gasket certified to Standard NSF 61.  
For other widths contact factory



**8403BW**  
Belleville Washer Kit (for HDPE pipe) - List \$24.75  
Kit includes: 8 washers, enough for 4 studs (2 per stud) Washers should be positioned with the concave sides facing each other.



## 835 Series

### TWO SECTIONS WITH TAPPED OUTLET

Our Stainless Steel repair clamps with tapped outlet feature AWWA or FNPT outlets, a fully welded bar, chemically passivated welds, roll plate, anti-gall nuts, NBR taper grid pattern gasket, and optional conductivity patch.

Multiple lengths and sizes are available including standard, custom, and O.D. specific diameter ranges.

### NOTES

- Order Clamps by Model Number, for example 835-0905-12-A4T
- All Clamps have Pipe O.D. identification
- All A.Y. McDonald Clamps meet AWWA standards and are certified to NSF 61
- Rated for 150 PSI working pressure

To order 835 Series Model No. **835-0663-12-A3T** means:

1	2	3	4	5	6	7	8	9	10	11	10	11
835	-	0	6	6	3	-	12	-	A	3	T	C
Series #	Mid O.D. Range					Width	Tap Configuration	Tap Size	T = Teck TLP = Lifter Plate		Options	
						12 = 12"	A = AWWA	3 = 3/4"			C = Conductivity Pad	
						16 = 16"	F = FNPT	4 = 1"				
						20 = 20"		5 = 1 1/4"				
						24 = 24"		6 = 1 1/2"				
						32 = 32"		7 = 2"				

Nom. O.D.	O.D. Range	Pipe Material	Model #		Width										
			Series #	Mid O.D. Range #	Part No.	12" (3 bolts per side) Add -12	Part No.	16" (4 bolts per side) Add -16	Part No.	20" (5 bolts per side) Add -20	Part No.	24" (6 bolts per side) Add -24	Part No.	32" (8 bolts per side) Add -32	Standard
16	15.60 - 16.40	IPS	835-	1600-		\$802.36		\$891.76		\$1,160.41		\$1,502.18		\$1,847.31	T
16	17.00 - 17.80	C900/C905/DIP/Cast A, B	835-	1740-		\$802.36		\$891.76		\$1,160.41		\$1,502.18		\$1,847.31	T
16	17.20 - 18.00		835-	1760-		\$802.36		\$891.76		\$1,160.41		\$1,502.18		\$1,847.31	T
16	17.40 - 18.20	DIPS, Cast A - F	835-	1780-		\$802.36		\$891.76		\$1,160.41		\$1,502.18		\$1,847.31	T
18	17.60 - 18.40	IPS	835-	1800-		\$953.04		\$1,067.08		\$1,332.32		\$1,730.18		\$2,128.00	T
18	19.10 - 19.90	C900/C905/DIP/Cast A, B	835-	1950-		\$953.04		\$1,067.08		\$1,332.32		\$1,730.18		\$2,128.00	T
18	19.20 - 20.00		835-	1960-		\$953.04		\$1,067.08		\$1,332.32		\$1,730.18		\$2,128.00	T
18	19.52 - 20.32	Cast C, D	835-	1992-		\$953.04		\$1,067.08		\$1,332.32		\$1,730.18		\$2,128.00	T
20	19.60 - 20.40	IPS	835-	2000-		\$1,158.62		\$1,302.68		\$1,642.87		\$2,052.05		\$2,456.90	T
20	21.20 - 22.00	C900/C905/DIP/Cast A, B	835-	2160-		\$1,158.62		\$1,302.68		\$1,642.87		\$2,052.05		\$2,456.90	T
20	21.40 - 22.20		835-	2180-		\$1,158.62		\$1,302.68		\$1,642.87		\$2,052.05		\$2,456.90	T
20	21.66 - 22.46	Cast C, D	835-	2206-		\$1,158.62		\$1,302.68		\$1,642.87		\$2,052.05		\$2,456.90	T

See page 140 for O.D. Chart

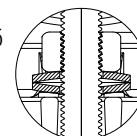
Different sizes and configurations available, please call for details.  
NBR grid gasket certified to Standard NSF 61.  
For other widths contact factory

Tap - Adders					
Type		Outlet	Type		Outlet
F = FNPT	A = AWWA	Size:	F = FNPT	A = AWWA	Size:
\$69.71	\$69.71	3 = 3/4"	\$89.98	\$89.98	6 = 1 1/2"
\$69.71	\$69.71	4 = 1"	\$99.90	\$111.62	7 = 2"
\$89.98	\$89.98	5 = 1 1/4"			

Options		
T	Taper Gasket & Teck™ Fastening System (Standard)	List Price Above
TLP	Taper Gasket & Lifter Plate Fastening System	Deduct \$6.16
C	Conductivity Pad	\$4.93 Adder



**8403BW**  
Belleville Washer Kit (for HDPE pipe) - List \$24.75  
**Kit includes:** 8 washers, enough for 4 studs (2 per stud) Washers should be positioned with the concave sides facing each other.



# Repair Clamps

## 1625 Series

### FOUR SECTIONS

Our Stainless Steel repair clamps feature a fully welded bar, chemically passivated welds, roll plate, anti-gall nuts, NBR taper grid pattern gasket, and optional conductivity patch.

Multiple lengths and sizes are available including standard, custom, and O.D. specific diameter ranges.

### NOTES

- Order Clamps by Model Number, for example 1625-3200-12T
- All Clamps have Pipe O.D. identification
- All A.Y. McDonald Clamps meet AWWA standards and are certified to NSF 61
- Rated for 150 PSI working pressure

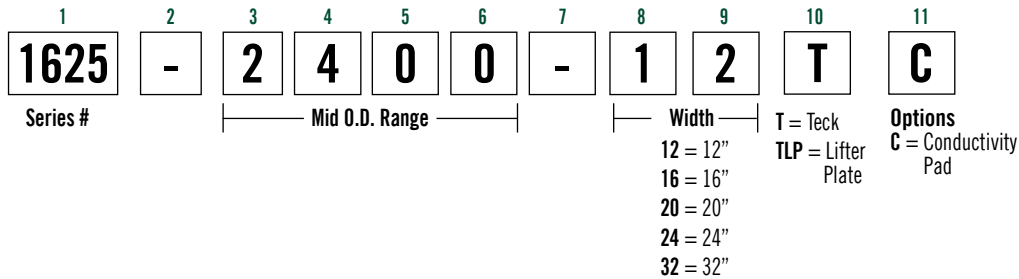
**Product Example:**  
1625-2580-24T  
24" x 24" Taper Gasket

TECK™ (T)



Lifter Plate (TLP)

To order 1625 Series Model No. 1625-2400-12T means:



Service Saddles & Repair Clamps

Nom. O.D.	O.D. Range	Pipe Material	Model #		Width										Standard
			Series #	Mid O.D. Range #	Part No.	12" (3 bolts per side) Add -12	Part No.	16" (4 bolts per side) Add -16	Part No.	20" (5 bolts per side) Add -20	Part No.	24" (6 bolts per side) Add -24	Part No.	32" (8 bolts per side) Add -32	
24	23.20 - 24.80	IPS	1625-	2400-	4994-325	\$1,325.97	4994-326	\$1,902.07	4994-327	\$2,574.03	4994-328	\$3,292.96	4994-329	\$4,338.57	T
24	24.60 - 26.20		1625-	2540-	4994-330	\$1,325.97	4994-331	\$1,902.07	4994-332	\$2,574.03	4994-333	\$3,292.96	4994-334	\$4,338.57	T
24	25.00 - 26.60	C900/C905/DIP/Cast A, B	1625-	2580-	4994-335	\$1,325.97	4994-336	\$1,902.07	4994-337	\$2,574.03	4994-338	\$3,292.96	4994-339	\$4,338.57	T
24	25.52 - 27.12	Cast C, D	1625-	2632-	4994-340	\$1,325.97	4994-341	\$1,902.07	4994-342	\$2,574.03	4994-343	\$3,292.96	4994-344	\$4,338.57	T
30	29.20 - 30.80	IPS	1625-	3000-	4994-345	\$1,738.62	4994-346	\$2,112.63	4994-347	\$2,911.85	4994-348	\$3,757.21	4994-349	\$4,742.48	T
30	30.94 - 32.54	Cast A	1625-	3174-	4994-350	\$1,738.62	4994-351	\$2,112.63	4994-352	\$2,911.85	4994-353	\$3,757.21	4994-354	\$4,742.48	T
30	31.20 - 32.80	C900/C905/DIP/Cast B	1625-	3200-	4994-355	\$1,738.62	4994-356	\$2,112.63	4994-357	\$2,911.85	4994-358	\$3,757.21	4994-359	\$4,742.48	T
30	31.60 - 33.20	Cast C	1625-	3240-	4994-360	\$1,738.62	4994-361	\$2,112.63	4994-362	\$2,911.85	4994-363	\$3,757.21	4994-364	\$4,742.48	T
36	37.16 - 38.76	Cast A	1625-	3796-	4994-365	\$2,258.37	4994-366	\$2,897.33	4994-367	\$3,855.88	4994-368	\$4,849.90	4994-369	\$6,195.87	T
36	37.50 - 39.10	C900/C905/DIP/Cast B	1625-	3830-	4994-370	\$2,258.37	4994-371	\$2,897.33	4994-372	\$3,855.88	4994-373	\$4,849.90	4994-374	\$6,195.87	T
36	37.90 - 39.50	Cast C	1625-	3870-	4994-375	\$2,258.37	4994-376	\$2,897.33	4994-377	\$3,855.88	4994-378	\$4,849.90	4994-379	\$6,195.87	T
36	38.36 - 39.96	Cast D	1625-	3916-	4994-380	\$2,258.37	4994-381	\$2,897.33	4994-382	\$3,855.88	4994-383	\$4,849.90	4994-384	\$6,195.87	T

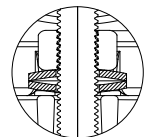
See page 140 for O.D. Chart

Different sizes and configurations available, please call for details.  
NBR grid gasket certified to Standard NSF 61.  
For other widths contact factory

Options		
T	Taper Gasket & Teck™ Fastening System (Standard)	List Price Above
TLP	Taper Gasket & Lifter Plate Fastening System	Deduct \$6.16
C	Conductivity Pad	\$4.93 Adder



**8403BW**  
Belleville Washer Kit (for HDPE pipe) - List \$24.75  
**Kit includes:** 8 washers, enough for 4 studs (2 per stud) Washers should be positioned with the concave sides facing each other.



## 1635 Series

### FOUR SECTIONS WITH TAPPED OUTLET

Our Stainless Steel repair clamps with tapped outlet feature AWWA or FNPT outlets, a fully welded bar, chemically passivated welds, roll plate, anti-gall nuts, NBR taper grid pattern gasket, and optional conductivity patch.

Multiple lengths and sizes are available including standard, custom, and O.D. specific diameter ranges.

### NOTES

- Order Clamps by Model Number, for example 1635-3200-12-A4T
- All Clamps have Pipe O.D. identification
- All A.Y. McDonald Clamps meet AWWA standards and are certified to NSF 61
- Rated for 150 PSI working pressure

**Product Example:**  
1635-2580-24-A7T  
24" x 24" x 2" AWWA  
CC Taper Gasket



TECK™ Finger (T)



Lifter Plate (TLP)

To order 1635 Series Model No. 1635-2400-12-A3 means:

1	2	3	4	5	6	7	8	9	10	11
1635	-	2	4	0	0	-	12	-	A	3
Series #		Mid O.D. Range					Width		Tap Configuration	Tap Size
							12 = 12"	A = AWWA	3 = 3/4"	
							16 = 16"	F = FNPT	4 = 1"	
							20 = 20"		5 = 1 1/4"	
							24 = 24"		6 = 1 1/2"	
							32 = 32"		7 = 2"	

Nom. O.D.	O.D. Range	Pipe Material	Model #		Width										
			Series #	Mid O.D. Range #	Part No.	12" (3 bolts per side) Add -12	Part No.	16" (4 bolts per side) Add -16	Part No.	20" (5 bolts per side) Add -20	Part No.	24" (6 bolts per side) Add -24	Part No.	32" (8 bolts per side) Add -32	Standard
24	23.20 - 24.80	IPS	1635-	2400-		\$1,325.97		\$1,902.07		\$2,574.03		\$3,292.96		\$4,338.57	T
24	24.60 - 26.20		1635-	2540-		\$1,325.97		\$1,902.07		\$2,574.03		\$3,292.96		\$4,338.57	T
24	25.00 - 26.60	C900/C905/DIP/Cast A, B	1635-	2580-		\$1,325.97		\$1,902.07		\$2,574.03		\$3,292.96		\$4,338.57	T
24	25.52 - 27.12	Cast C - D	1635-	2632-		\$1,325.97		\$1,902.07		\$2,574.03		\$3,292.96		\$4,338.57	T
30	29.20 - 30.80	IPS	1635-	3000-		\$1,738.62		\$2,112.63		\$2,911.85		\$3,757.21		\$4,742.48	T
30	30.94 - 32.54	Cast A	1635-	3174-		\$1,738.62		\$2,112.63		\$2,911.85		\$3,757.21		\$4,742.48	T
30	31.20 - 32.80	C900/C905/DIP/Cast B	1635-	3200-		\$1,738.62		\$2,112.63		\$2,911.85		\$3,757.21		\$4,742.48	T
30	31.60 - 33.20	Cast C	1635-	3240-		\$1,738.62		\$2,112.63		\$2,911.85		\$3,757.21		\$4,742.48	T
36	37.16 - 38.76	Cast A	1635-	3796-		\$2,258.37		\$2,897.33		\$3,855.88		\$4,849.90		\$6,195.87	T
36	37.50 - 39.10	C900/C905/DIP/Cast B	1635-	3830-		\$2,258.37		\$2,897.33		\$3,855.88		\$4,849.90		\$6,195.87	T
36	37.90 - 39.50	Cast C	1635-	3870-		\$2,258.37		\$2,897.33		\$3,855.88		\$4,849.90		\$6,195.87	T
36	38.36 - 39.96	Cast D	1635-	3916-		\$2,258.37		\$2,897.33		\$3,855.88		\$4,849.90		\$6,195.87	T

See page 140 for O.D. Chart

Different sizes and configurations available, please call for details.  
NBR grid gasket certified to Standard NSF 61.  
For other widths contact factory

#### Tap - Adders

Type		Outlet	Type		Outlet
F = FNPT	A = AWWA	Size:	F = FNPT	A = AWWA	Size:
\$69.71	\$69.71	3 = 3/4"	\$89.98	\$89.98	6 = 1 1/2"
\$69.71	\$69.71	4 = 1"	\$99.90	\$111.62	7 = 2"
\$89.98	\$89.98	5 = 1 1/4"			

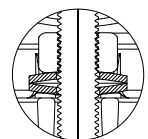
#### Options

T	Taper Gasket & Teck™ Fastening System (Standard)	List Price Above
TLP	Taper Gasket & Lifter Plate Fastening System	Deduct \$6.16
C	Conductivity Pad	\$4.93 Adder



#### 8403BW

Belleville Washer Kit (for HDPE pipe) - List \$24.75  
Kit includes: 8 washers, enough for 4 studs (2 per stud) Washers should be positioned with the concave sides facing each other.



## 8600 Series

### STAINLESS-STEEL TERMINATION SLEEVE FOR 6" AND 8" DIAMETER

The A.Y. McDonald Mfg. Co. stainless-steel termination sleeves are used to seal off and protect decommissioned corporation stops, in direct tap applications. Termination sleeves feature chemically passivated welds, Teflon coated nuts & NBR gasket. Now available for 6" and 8" diameter pipe that terminates valves from 1/2" to 1", with additional sizes to be offered shortly. Installation instructions are provided with each termination sleeve. Please read and follow instructions to ensure long lasting performance.



#### Features:

- All Sleeve components made of 18-8 type 304 stainless-steel
- Fully passivated for corrosion resistance
- Recommend sleeve bolt torque is 80 FT/LBS
- Conforms to ANSI/NSF Standard 61-8
- Rated for 250 PSI working pressure
- Outlet cover size = 3" ID x 6" high, fits 1/2" - 1" corporation stops

#### Materials:

- Sleeve Body - 18-8 Type 304 stainless-steel
- Sleeve Waffle Gasket - NBR, meets NSF 61
- Sleeve Ring Gasket - NBR, meets NSF 61
- Bolts - 18-8 Type 304 stainless-steel, 5/8" Roll NC thread
- Nuts - 5/8-11 thread, Type 304 stainless-steel, heavy hex, Teflon coated to prevent galling
- Washers - 18-8 Type 304 stainless-steel
- Integrated dual bridge plates - 18-8 Type 304 stainless-steel

#### Ordering Information:

Part #	Model #	Description	Price
4994-580	8600-0690-8-4	SS TECK FASTENER TERMINATION SLEEVE 6.50-7.30X8	\$1,163.27
4994-582	8600-0920-8-4	SS TECK FASTENER TERMINATION SLEEVE 8.80-9.60X8	\$1,203.51



Termination Sleeve  
Install QR Code





# Brass Bushings

A.Y. McDonald brass bushings are designed and used to change the thread of the inlet of a Corporation Stop or tap of a Saddle. Bushings include a generous size wrench flat for ease of installation and lay length for the appropriate thread size.

**747011**  
AWWA x AWWA Bushing



3/4" x 1/2"      2" x 1 1/2"

Part No.	Male AWWA	Female AWWA	Carton PCS/WT	Price
5132-405	3/4" x 1/2"	2" x 1 1/2"	50/20	\$22.59
5132-406	1" x 3/4"	2" x 1 1/2"	40/16	\$27.94
5132-407	1 1/4" x 3/4"	2" x 1 1/2"	10/14	\$146.51
5132-477	1 1/4" x 1"	2" x 1 1/2"	10/12	\$146.87
5132-408	1 1/2" x 3/4"	2" x 1 1/2"	10/20	\$75.35
5132-409	1 1/2" x 1"	2" x 1 1/2"	10/18	\$75.59
5132-410	2" x 3/4"	2" x 1 1/2"	10/23	\$120.65
5132-411	2" x 1"	2" x 1 1/2"	10/16	\$123.38
5132-412	2" x 1 1/4"	2" x 1 1/2"	10/19	\$107.20
5132-413	2" x 1 1/2"	2" x 1 1/2"	10/14	\$92.00

**747014**  
AWWA x FNPT Bushing



3/4" x 1/2"      2" x 1 1/2"

Part No.	Male AWWA	Female FNPT	Carton PCS/WT	Price
5132-414	3/4" x 1/2"	2" x 1 1/2"	50/22	\$21.39
5132-416	1" x 3/4"	2" x 1 1/2"	40/20	\$28.43
5132-415	1 1/2" x 1 1/4"	2" x 1 1/2"	10/14	\$66.24
5132-417	2" x 1 1/4"	2" x 1 1/2"	10/20	\$119.48
5132-418	2" x 1 1/2"	2" x 1 1/2"	10/18	\$105.80

**747041**  
MNPT x Female AWWA Bushing



1" x 3/4"      2" x 1 1/2"

Part No.	MNPT	Female AWWA	Carton PCS/WT	Price
5132-419	1" x 3/4"	2" x 1 1/2"	25/17	\$21.39
5132-420	1 1/4" x 3/4"	2" x 1 1/2"	10/12	\$32.01
5132-421	1 1/4" x 1"	2" x 1 1/2"	10/11	\$26.33
5132-422	1 1/2" x 3/4"	2" x 1 1/2"	10/18	\$72.65
5132-423	1 1/2" x 1"	2" x 1 1/2"	10/15	\$70.32
5132-424	2" x 3/4"	2" x 1 1/2"	10/19	\$92.94
5132-425	2" x 1"	2" x 1 1/2"	10/12	\$100.59
5132-426	2" x 1 1/4"	2" x 1 1/2"	10/15	\$77.47
5132-427	2" x 1 1/2"	2" x 1 1/2"	10/13	\$79.64

# Plugs

A.Y. McDonald brass plugs are designed and used to replace a corporation stop that has been removed from a main or saddle. Plugs include generous size wrench flats for ease of installation and lay lengths for the appropriate thread size.

**73206**  
Plug AWWA (Hollow Core)



Part No.	Size	Carton PCS/WT	Price
5126-100	1/2"	50/9	\$34.57
5126-101	5/8"	50/15	\$35.09
5126-102	3/4"	50/17	\$17.05
5126-103	1"	25/10	\$24.79
5126-104	1 1/4"	15/13	\$54.54
5126-105	1 1/2"	15/17	\$55.60
5126-106	2"	10/16	\$72.09

**732060**  
Plug AWWA Thread with Inside Driving Thread



Part No.	Size	Carton PCS/WT	Price
5132-453	5/8" x 5/8"	50/23	\$18.33
5132-452	3/4" x 5/8"	50/26	\$18.33
5132-451	1" x 5/8"	50/35	\$36.66

**73208**  
Plug IPT (Hollow Core) MNPT Corp Threads x Square Head



Part No.	Size	Carton PCS/WT	Price
5126-107	1/2"	50/25	\$15.92
5126-108	3/4"	50/11	\$16.00
5126-109	1"	25/7	\$25.55
5126-110	1 1/4"	15/12	\$54.54
5126-111	1 1/2"	15/12	\$58.88
5126-112	2"	10/11	\$72.09

**732080**  
Plug - MNPT x Inside Driving Threads



Part No.	Size	Carton PCS/WT	Price
5131-391	3/4" x 5/8"	50/23	\$38.29
5131-392	1" x 5/8"	50/32	\$96.53

**73209**  
Plug Male Copper Flare Thread x Square Head



Part No.	Size	Carton PCS/WT	Price
5126-113	1"	25/10	\$26.36



## Pipe O.D. Chart

Nom. O.D.	IPS PVC/HDPE Steel Size O.D.	DIP PVC C900/C905 O.D.	Cast Iron		Asbestos - Cement				Steel	Copper	
			Classes		O.D.	Class	Machined End O.D.	Rough-Barrel O.D. (Min-Max)	Type	O.D.	O.D.
			Pit	Spun							
2"	2.38	2.50			2.50				STD	2.38	2.125
2 1/2"	2.88								STD	2.88	2.625
3"	3.50		A		3.80	100	3.74	4.00	O.D.	3.00	3.125
			B, C, D,	50 - 350	3.96	150	150	3.84	STD	3.50	3.125
						200	3.84	4.29			3.125
4"	4.50	4.80	A	50 - 350	4.80	100	4.64	4.79 - 5.14	O.D.	4.00	4.125
			B, C, D		5.00	150	4.81	4.97 - 5.27	STD	4.50	4.125
						200	4.81	5.22 - 5.57			4.125
6"	6.63	6.90	A	50 - 350	6.90	100	6.91	7.05 - 7.40	O.D.	6.00	6.125
			B, C, D		7.10	150	6.91	7.07 - 7.37	STD	6.63	6.125
			E, F		7.22	200	6.91	7.26 - 7.56			6.125
8"	8.63	9.05	A, B	50 - 300	9.05	100	9.11	9.22 - 9.57	O.D.	8.00	
			C, D	350	9.30	150	9.11	9.27 - 9.57	STD	8.63	
			E, F		9.42	200	9.11	9.39 - 9.74			
10"	10.75	11.10	A, B	50 - 200	11.10	100	11.24	11.42 - 11.77	O.D.	10.00	
			C, D	250 - 350	11.40	150	11.66	11.82 - 12.12	STD	10.75	
			E, F		11.60	200	11.66	11.77 - 12.12			
12"	12.75	13.20	A, B	50 - 200	13.20	100	13.44	13.69 - 14.04	O.D.	12.00	
			C, D	250 - 350	13.50	150	13.92	14.08 - 14.38	STD	12.75	
			E, F		13.76	200	13.92	14.03 - 14.38			
14"	14.00	C900/C905 15.30	A, B	50 - 100	15.30	100	15.07	15.40 - 15.80	O.D.	14.00	
			C, D	150 - 300	15.65	150	16.22	16.38 - 16.73			
			E, F		15.98	200	16.22	16.48 - 16.88			
16"	16.00	C900/C905 17.40	A, B	50 - 100	17.40	100	17.14	17.54 - 17.94	O.D.	16.00	
			C, D	150 - 300	17.80	150	18.46	18.62 - 18.97			
			E, F		18.16	200	18.46	18.79 - 19.19			
18"	18.00	C900/C905 19.50	A, B	50 - 100	19.50	100	19.90	20.44	STD	18.00	
			C, D	150 - 250	19.92	150	20.94	21.20			
			A, B	50 - 100	21.60	100	22.12	22.50	STD	20.00	
20"	20.00	C900/C905 21.60	C, D	150 - 200	22.06	150	23.28	23.54			
24"	24.00	C900/C905 25.80	A, B	50 - 100	25.80	100	26.48	27.17	STD	24.00	
			C, D	150 - 250	26.32	150	27.96	28.22			
30"	30.00	C900/C905 32.00	A, B	50 - 100	32.00				STD	30.00	
			C, D	150 - 250	32.74						
36"	36.00	C900/C905 38.30	B	50 - 350	38.30				STD	36.00	

**Note:** Outside diameters and specifications vary. Above dimensions are approximate  
Determine pipe O.D. before ordering

Service Saddles & Repair Clamps



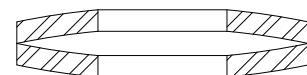
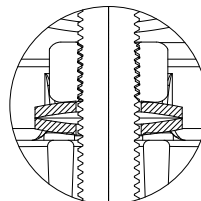
# Replacement and Service Parts

Model	Pipe Size	Tap Size	Saddle Style	No. of Bolts/Nuts	Screws/Bolt/Nut	Order Part No.	List (ea.)
3801 3802 3805 3806	2" - 8"	1/2" - 1"	Two piece brass	Two per saddle	5/16" x 2" x 18" Bronze bolt	3100-906	\$5.12
3801 3802 3805 3806	4" 6" 8"	1 1/2" - 2"	Two piece brass	Two per saddle	7/16" x 2" x 14" Bronze bolt	3100-908	\$4.70
3801 3802 3805 3806	10" - 12"	1/2" - 2"	Brass band	Two per saddle	1/2" x 3" Bronze bolt	3100-915	\$6.85
3815 3816 3825A, B 3826A, B	4" - 12" 4" - 30"	1/2" - 2"	Bronze bale style	Two per single Four per double	5/8" x 11" Brass nut	4148-537	\$7.97
3835 3836 3845A, B 3846A, B 3855 3856	All Pipes Sizes	All Taps	Stainless band style	Two per single Four per double Four per wide	5/8" x 11" Stainless nut washer	4148-660 4148-573	\$6.04 \$1.38
3891 3892 3895 3896	2" - 8"	1/2" - 2"	Hinge style	One per 3/4", 1" Tap Two per 1 1/2", 2" Tap	5/16" x 1 1/2" x 18" Bronze bolt	3100-911	\$2.25
4815A 4816A 4825A 4826A	All Pipes Sizes	All Taps	Core ten steel bale	Two per single Four for double	5/8" x 11" Stainless Steel nut washer	4148-660 4148-573	\$6.04 \$1.38
4835A 4836A 4845A 4846A 4855A 4856A	All Pipes Sizes	All Taps	Stainless steel band style	Two per single Four per double Four per wide	5/8" x 11" Stainless Steel nut washer	4148-660 4148-573	\$6.04 \$1.38
8403 8403	All Pipe Sizes	All Taps	All stainless steel band style	Two per 4"-12" Four per 14"-Larger	5/8" x 11" Stainless Steel nut washer	4148-660 4148-573	\$6.04 \$1.38
73875 73876 73885 73886	All Pipes Sizes	All Taps	Stainless steel band style	Four per double Four per wide	5/8" x 11" Stainless Steel nut washer	4148-660 4148-573	\$6.04 \$1.38
78423	All Pipe Sizes	All Taps	All stainless steel band style	Two per 4"-12" Four per 14"-Larger	5/8" x 11" Stainless Steel nut washer	4148-660 4148-573	\$6.04 \$1.38
425 435 825 835 1625 1635	All Pipe Sizes	All Taps	All stainless steel band style	Two per 8" Three per 12" Four per 16" Five per 20" Six per 24" Eight per 32"	5/8" x 11" Stainless Steel nut washer	4148-660 4148-573	\$6.04 \$1.38

Service Saddles & Repair Clamps



**8403BW**  
 Belleville Washer Kit (for HDPE pipe) - List \$24.75  
**Kit includes:** 8 washers, enough for 4 studs (2 per stud)  
 Washers should be positioned with the concave sides facing each other.



Install concave washer sides facing each other.







**WITHOUT  
YOU  
THERE IS  
NO US.**














# **Curb Stops & Meter Valves**

January 11, 2022 - Revised July 2024



# Curb Stops & Meter Valves

## Ball Valve Operating Head Options for All Size Ball Valves:

		List Price Adders to Base
	360° degree rotation of operating head, add "1" to fourth number in model number. Example: 76100 becomes 76110 or 74642B becomes 74652B	\$2.96
	"Reclaimed Water" cast enlarged operating head, painted purple, change model number by adding "RWC" to end of model number. - Example: 76100W-22 3/4" becomes 76100W-22RWC 3/4"	\$5.07 lock wing version
	"Reclaimed Water" tag, purple, pinned to operating head, change model number by adding "RWT" to end of model number. - Example: 76100-22 3/4" becomes 76100-22RWT 3/4"	\$21.54
	<b>Single lock wing</b> operating head for locking ball valve in closed position only add "W" to model number. Example: 76100 becomes 76100W	\$4.66
	<b>Double lock wing</b> operating head for locking ball valve in open or closed position add "WW" to model number. - Example: 76100 becomes 76100WW	\$9.34
	<b>Handles</b> for operating heads, factory assembled brass, stainless steel or fixed brass handles, contact factory for pricing and availability. (See Meter Valves section for handle options)	See Pages 9, 264, & 459
	<b>Square operating head</b> 2" brass with brass cotter pin that is easily pinned to existing curb stops are available and sold separately. Model 6122	\$31.81
	<b>CTS HandyLoc</b> - stab and set system for 3/4" and 1" copper tube size (CTS) PE (SDR 9). Replace "Q" with "H" (CTS) Add the follow list price per end connection.	3/4" "H" - \$4.44 1" "H" - \$5.91
	<b>PEP HandyLoc</b> - stab and set system for 3/4" and 1" iron pipe size PEP (SIDR 7). Replace "-3Q" with "-3H" (PEP SIDR 7) Add the follow list price per end connection.	3/4" "-3H" - \$5.91 1" "-3H" - \$8.86
	<b>C-903</b> connections for PE-Aluminum-PE, replace "Q" in model number with "K". Available in 3/4" & 1" sizes only. - Example: 76100Q 3/4" becomes 76100K 3/4" Add the follow list price per end connection.	3/4" - \$33.10 1" - \$45.53
	<b>Anode, Tracer Wire, or Thaw wire</b> connection for Flare or "Q" Compression nuts, add "A" to flare and "Q" model numbers. - Example Flare = 76100 3/4" becomes 76100A 3/4" or "Q" Series = 76100Q 3/4" becomes 76100QA 3/4". Add the follow list price per end connection on any size.	Any size = \$13.32
	<b>Cross connections</b> for inlet and outlet are available.	Contact Factory
	<b>Special lay lengths</b> End-to-End are available	Contact Factory
	<b>British Standard Pipe Threads (BSPT)</b> are available.	Contact Factory
	Insert stiffeners are required on all flexible plastic connections ("G", "-3G", "T", "TA", "-3Q", "Q", "QA", "-3QA", "-22", "-33", & "-34") See the Service Fittings section.	See Page 10
	<b>Saddle Nut</b> to add saddle feature to standard meter valve add "S" to model number (i.e. 74602B becomes 74602BS).	Contact Factory





## Straight Ball Valves

### 90° DEGREE ON/OFF TEE OPERATING HEAD

A.Y. McDonald Ball Curb Stops maintain a low turning torque and bubble-tight 300 PSIG water pressure rating due to the PTFE coated brass ball that is supported by two blow-out proof EPDM seals. The end piece joint is sealed with an EPDM O-ring and thread locker. McDonald Ball Curb Stops offer positive shut-off from either direction and are available with a wide variety of end connections.

#### 76100

Flare x Flare



Part No.	Size	Carton PCS/WT	Price
5132-131	3/4" x 5/8" x 3/4"	20/40	\$89.68
5129-161	3/4"	15/35	\$148.67
5139-163	1" x 3/4" x 3/4"	10/27	\$161.80
5139-122	1" x 3/4" x 1"	10/30	\$174.14
5129-162	1"	10/38	\$205.25
5139-136	1 1/4" x 1" x 1"	8/39	\$276.72
5139-135	1 1/4" x 1" x 1 1/4"	5/25	\$303.60
5142-340	1 1/4"	6/37	\$349.64
5129-112	1 1/2"	3/25	\$498.70
5129-118	2"	2/29	\$816.31

#### 76100-11

RANGER x RANGER



Part No.	Size	Carton PCS/WT	Price
5196-025	3/4"	12/35	\$208.50
5196-031	1"	10/38	\$318.24
5196-063	1 1/4"	6/35	\$497.35
5196-028	3/4" x 10.12"	8/29	\$253.79
5196-034	1" x 10.50"	8/41	\$340.92
5196-068	1 1/4" x 11.25"	5/39	\$560.07

#### 76100-22

-22 CTS x -22 CTS



Part No.	Size	Carton PCS/WT	Price
5133-144	3/4" x 5/8" x 3/4"	20/34	\$90.69
5133-154	3/4"	15/30	\$146.71
5139-164	1" x 3/4" x 3/4"	10/23	\$159.28
5133-190	1" x 3/4" x 1"	10/23	\$186.47
5133-165	1"	10/29	\$220.52
5142-141	1 1/4" x 1" x 1"	10/40	\$291.33
5142-140	1 1/4" x 1" x 1 1/4"	8/32	\$303.60
5142-341	1 1/4"	8/40	\$349.64
5133-174	1 1/2"	3/20	\$527.71
5133-183	2"	2/19	\$741.85

#### 76100-11-22

RANGER x -22 CTS



Part No.	Size	Carton PCS/WT	Price
5196-026	3/4"	15/43	\$185.15
5196-032	1"	10/37	\$276.09
5196-075	3/4" x 10.12"	8/27	\$227.85
5196-079	1" x 10.50"	8/28	\$324.26

#### 76100-22-33

-22 CTS x -33 PEP-7



Part No.	Size	Carton PCS/WT	Price
5133-197	3/4"	15/34	\$174.14
5133-042	1"	10/37	\$263.33
5146-389	1 1/2"	3/18	\$537.86
5131-035	2"	2/24	\$794.28

#### 76100-22-34

-22 CTS x -34 PEP-9



Part No.	Size	Carton PCS/WT	Price
5123-194	3/4"	15/34	\$174.14
5127-480	1"	10/37	\$263.32
	1 1/2"	3/18	\$537.86
	2"	2/24	\$794.27

#### 76100Q-55

Q CTS x 55 IP



Part No.	Size	Carton PCS/WT	Price
5142-445	3/4"	15/33	\$174.13

#### 76100-22-44

-22 CTS x -44 PVC



Part No.	Size	Carton PCS/WT	Price
5133-029	3/4"	15/35	\$174.14
5142-447	1"	10/36	\$258.94
5125-233	1 1/2"	3/18	\$537.86
5132-455	2"	2/23	\$794.28

#### 76100-22-55

-22 CTS x -55 IP



Part No.	Size	Carton PCS/WT	Price
5133-089	3/4"	15/33	\$174.13
5142-290	1"	10/37	\$263.33
	1 1/2"	3/18	\$537.86
	2"	2/23	\$794.27

#### 76100G

G CTS x G CTS



Part No.	Size	Carton PCS/WT	Price
5192-225	3/4" x 5/8" x 3/4"	20/39	\$90.69
5192-124	3/4"	15/34	\$146.71
5192-327	1" x 3/4" x 3/4"	10/25	\$159.28
5192-351	1" x 3/4" x 1"	10/29	\$186.47
5192-128	1"	10/35	\$220.52
	1 1/4" x 1" x 1"	10/34	\$291.33
	1 1/4" x 1" x 1 1/4"	8/34	\$303.59
5142-343	1 1/4"	5/43	\$349.65
5192-146	1 1/2"	3/21	\$527.71
5192-147	2"	2/19	\$741.85

#### 76100Q

Q CTS x Q CTS



Part No.	Size	Carton PCS/WT	Price
5182-036	3/4" x 5/8" x 3/4"	20/36	\$90.69
5182-031	3/4"	15/32	\$146.71
5182-390	1" x 3/4" x 3/4"	10/24	\$159.28
5182-307	1" x 3/4" x 1"	10/26	\$186.47
5183-357	1" x 3/4" x 1 1/4"	10/23	\$183.00
5182-052	1"	10/33	\$220.52
5182-351	1 1/4" x 1" x 1"	10/34	\$291.33
5182-150	1 1/4" x 1" x 1 1/4"	8/34	\$303.60
5142-344	1 1/4"	6/31	\$349.64
5182-135	1 1/2"	3/20	\$527.71
5182-082	2"	2/18	\$741.85

#### 76100Q-11

Q CTS x RANGER



Part No.	Size	Carton PCS/WT	Price
5196-030	3/4"	15/43	\$185.15
5196-036	1"	8/26	\$276.09
5196-078	3/4" x 10.12"	8/26	\$227.85
5196-080	1" x 10.50"	8/38	\$324.26

#### 76100T

T CTS x T CTS



Part No.	Size	Carton PCS/WT	Price
5132-135	3/4" x 5/8" x 3/4"	20/35	\$90.69
5129-169	3/4"	15/31	\$146.71
5139-166	1" x 3/4" x 3/4"	10/23	\$159.28
5139-123	1" x 3/4" x 1"	10/26	\$186.47
5129-170	1"	10/33	\$220.52
5139-138	1 1/4" x 1" x 1"	10/36	\$291.33
5139-137	1 1/4" x 1" x 1 1/4"	8/33	\$303.60
5142-392	1 1/4"	5/39	\$349.65
5131-107	1 1/2"	3/18	\$527.71
5131-108	2"	2/18	\$741.85

- Additional end connection combinations are available – Contact Factory



## Straight Ball Valves

### 90° DEGREE ON/OFF TEE OPERATING HEAD

A.Y. McDonald Ball Curb Stops maintain a low turning torque and bubble-tight 300 PSIG water pressure rating due to the PTFE coated brass ball that is supported by two blow-out proof EPDM seals. The end piece joint is sealed with an EPDM O-ring and thread locker. McDonald Ball Curb Stops offer positive shut-off from either direction and are available with a wide variety of end connections.

#### 76100-33

-33 PEP-7 x -33 PEP-7



Part No.	Size	Carton PCS/WT	Price
5142-133	3/4"	10/25	\$186.47
5149-324	3/4" x 1" x 3/4"	8/22	\$191.61
5132-036	3/4" x 1" x 1"	8/35	\$234.53
5142-134	1"	8/33	\$283.94
5142-342	1 1/4"	6/38	\$416.14
5131-024	1 1/2" x 2" x 1 1/2"	2/27	\$548.03
5131-034	2"	2/25	\$846.38

#### 76100-3Q

-3Q PEP-7 x -3Q PEP-7



Part No.	Size	Carton PCS/WT	Price
5182-309	3/4"	10/27	\$186.47
5149-323	3/4" x 1" x 3/4"	10/33	\$191.61
5149-328	3/4" x 1" x 1"	10/38	\$237.59
5182-228	1"	8/34	\$283.94

#### 76100-34

-34 PEP-9 x -34 PEP-9



Part No.	Size	Carton PCS/WT	Price
5123-183	3/4"	10/25	\$186.47
	3/4" x 1" x 3/4"	10/270	\$191.61
	3/4" x 1" x 1"	10/48	\$234.52
5123-207	1"	8/33	\$259.78
5125-031	1 1/4"	6/38	\$380.74
	1 1/2" x 2" x 1 1/2"	2/27	\$548.03
	2"	2/25	\$846.38

#### 76100-44

-44 PVC x -44 PVC



Part No.	Size	Carton PCS/WT	Price
5142-181	3/4"	10/25	\$186.47
5149-325	3/4" x 1" x 3/4"	10/33	\$191.61
5132-038	3/4" x 1" x 1"	8/40	\$234.53
5142-182	1"	8/33	\$283.94
5150-129	1 1/4"	3/18	\$449.51
5132-206	1 1/2"	3/22	\$544.36
5132-196	2"	2/26	\$816.31

#### 76100G-3G

G CTS x 3G PEP-7



Part No.	Size	Carton PCS/WT	Price
5192-413	3/4"	15/38	\$174.14

#### 76100-55

-55 IP x -55 IP



Part No.	Size	Carton PCS/WT	Price
5146-147	3/4"	10/23	\$182.97
5149-326	3/4" x 1" x 3/4"	10/32	\$191.61
5132-040	3/4" x 1" x 1"	8/40	\$248.54
5146-148	1"	8/34	\$281.12
	1 1/2"	3/24	\$548.03
5132-265	2"	2/25	\$775.56

#### 76100Q-3Q

Q CTS x -3Q PEP-7



Part No.	Size	Carton PCS/WT	Price
5182-258	3/4"	15/37	\$174.14
5182-234	1"	10/40	\$263.33

#### 76100-3G

-3G PEP-7 x -3G PEP-7



Part No.	Size	Carton PCS/WT	Price
5192-362	3/4"	10/29	\$186.47
	3/4" x 1" x 3/4"	10/33	\$191.61
	3/4" x 1" x 1"	10/38	\$237.59
5192-234	1"	8/37	\$283.94



# Repair Straight Ball Valves

## 90° ON/OFF TEE OPERATING HEAD WITH LOCK WING

A.Y. McDonald Repair Ball Curb Stops supply additional lay length to allow them to make up the difference between a longer curb stop or longer space if a curb stop is cut out of an existing service line while maintaining a low turning torque and bubble-tight 300 PSIG water pressure rating due to the PTFE coated brass ball that is supported by two blow-out proof EPDM seals. The end piece joint is sealed with an EPDM O-ring and thread locker. McDonald Ball Curb Stops offer positive shut-off from either direction and are available with a wide variety of end connections.

### 76100REP-22

-22 CTS x REP -22 CTS



Part No.	Size	Carton PCS/WT	Price
5149-489	3/4" x 10.12	8/22	\$189.43
5149-488	1" x 10.50	8/33	\$269.61
5125-067	1 1/4 x 1 x 1 1/4 x 10.75	8/43	\$360.79
5150-164	1 1/2" x 11	3/24	\$627.47
5150-156	2" x 11	2/21	\$885.49

### 76100REPQ-11

REP Q CTS x RANGER



Part No.	Size	Carton PCS/WT	Price
5196-029	3/4" x 10.12"	8/23	\$227.85
5196-035	1" x 10.50"	8/44	\$324.26

### 76100REP-11-22

RANGER x REP -22 CTS



Part No.	Size	Carton PCS/WT	Price
5196-027	3/4" x 10.12"	8/23	\$227.85
5196-033	1" x 10.50"	8/44	\$324.26

### 76100REP-34

-34 PEP-9 x REP -34 PEP-9



Part No.	Size	Carton PCS/WT	Price
	3/4" x 10.12	8/30	\$235.55
	1 1/4 x 1 x 1 1/4 x 10.75	8/44	\$341.14

### 76100REP-33

-33 PEP-7 x REP -33 PEP-7



Part No.	Size	Carton PCS/WT	Price
5142-496	3/4" x 10.12	8/30	\$235.55
5125-065	1 1/4 x 1 x 1 1/4 x 10.75	8/44	\$341.15

### 76100REPG

G CTS x REP G CTS



Part No.	Size	Carton PCS/WT	Price
5192-417	3/4" x 10.12	8/25	\$189.41
	1" x 10.50	8/36	\$269.60
	1 1/4 x 1 x 1 1/4 x 10.75	8/45	\$360.79
5150-165	1 1/2" x 11	3/24	\$627.47
5150-157	2" x 11	2/21	\$885.49

### 76100REP-55

-55 IP x REP -55 IP



Part No.	Size	Carton PCS/WT	Price
5141-452	3/4" x 10.12	8/23	\$235.55
5141-453	1" x 10.75	8/43	\$315.49

### 76100REP-3Q

-3Q PEP-7 x REP -3Q PEP-7



Part No.	Size	Carton PCS/WT	Price
5142-497	3/4" x 10.12	8/23	\$235.55
5125-066	1 1/4 x 1 x 1 1/4 x 10.75	8/45	\$341.15

### 76100REPQ

Q CTS x REP Q CTS



Part No.	Size	Carton PCS/WT	Price
5149-485	3/4" x 10.12	8/23	\$189.41
5149-484	1" x 10.50	8/36	\$269.60
5125-068	1 1/4 x 1 x 1 1/4 x 10.75	8/45	\$360.79
5150-162	1 1/2" x 11	3/24	\$627.47
5150-154	2" x 11	2/21	\$885.49

### 76100WREPQ

Q CTS x REP Q CTS



Part No.	Size	Carton PCS/WT	Price
5142-450	3/4" x 10.12	8/23	\$194.13

## Straight Ball Valves

### 90° ON/OFF TEE OPERATING HEAD WITH LOCK WING

A.Y. McDonald Ball Curb Stops maintain a low turning torque and bubble-tight 300 PSIG water pressure rating due to the PTFE coated brass ball that is supported by two blow-out proof EPDM seals. The end piece joint is sealed with an EPDM O-ring and thread locker. McDonald Ball Curb Stops offer positive shut-off from either direction and are available with a wide variety of end connections.

#### 76100W

Flare x Flare



Part No.	Size	Carton PCS/WT	Price
5132-132	3/4" x 5/8" x 3/4"	16/35	\$94.36
5139-100	3/4"	15/36	\$153.33
5139-191	1" x 3/4" x 3/4"	10/26	\$166.57
5139-192	1" x 3/4" x 1"	10/31	\$178.83
5139-101	1"	10/39	\$210.01
5132-008	1 1/4" x 1" x 1"	8/36	\$281.85
5149-336	1 1/4" x 1" x 1 1/4"	8/42	\$308.77
5120-484	1 1/2"	3/25	\$503.65
5132-001	2"	2/28	\$821.28

#### 76100W-22

-22 CTS x -22 CTS



Part No.	Size	Carton PCS/WT	Price
5133-147	3/4" x 5/8" x 3/4"	20/35	\$95.41
5139-102	3/4"	15/31	\$151.42
5139-193	1" x 3/4" x 3/4"	10/22	\$163.88
5139-194	1" x 3/4" x 1"	10/23	\$191.14
5139-103	1"	10/32	\$225.23
5132-010	1 1/4" x 1" x 1"	8/35	\$296.39
5149-374	1 1/4" x 1" x 1 1/4"	8/34	\$309.08
5142-345	1 1/4"	6/32	\$354.31
5120-476	1 1/2"	3/20	\$532.71
5132-003	2"	2/20	\$746.95

#### 76100W-22-33

-22 CTS x -33 PEP-7



Part No.	Size	Carton PCS/WT	Price
	3/4" x 5/8" x 3/4"	20/41	\$118.08
5141-487	3/4"	15/34	\$174.12
5141-418	1"	10/38	\$267.99

#### 76100W-22-34

-22 CTS x -34 PEP-9



Part No.	Size	Carton PCS/WT	Price
	3/4" x 5/8" x 3/4"	20/41	\$118.08
	3/4"	15/34	\$174.12
	1"	10/38	\$267.98

#### 76100W-22-44

-22 CTS x -44 PVC



Part No.	Size	Carton PCS/WT	Price
5141-414	3/4" x 5/8" x 3/4"	16/33	\$118.08
5133-291	3/4"	15/34	\$174.13
5139-496	1"	10/38	\$263.60

#### 76100W-22-55

-22 CTS x -55 IP



Part No.	Size	Carton PCS/WT	Price
5141-474	3/4" x 5/8" x 3/4"	20/41	\$121.25
5120-406	3/4"	15/36	\$178.81
5146-346	1"	10/38	\$270.70

#### 76100WG

G CTS x G CTS



Part No.	Size	Carton PCS/WT	Price
5192-074	3/4" x 5/8" x 3/4"	20/39	\$95.41
5192-078	3/4"	15/34	\$151.42
	1" x 3/4" x 3/4"	10/22	\$163.87
5192-102	1" x 3/4" x 1"	10/29	\$191.14
5192-060	1"	10/36	\$225.23
	1 1/4" x 1" x 1"	10/44	\$296.39
	1 1/4" x 1" x 1 1/4"	10/42	\$309.08
5142-346	1 1/4"	6/35	\$354.31
5120-480	1 1/2"	3/21	\$532.71
5192-264	2"	2/19	\$746.95

#### 76100WQ

Q CTS x Q CTS



Part No.	Size	Carton PCS/WT	Price
5182-283	3/4" x 5/8" x 3/4"	20/37	\$95.41
5182-069	3/4"	15/32	\$151.42
5149-381	1" x 3/4" x 3/4"	10/23	\$163.88
5182-194	1" x 3/4" x 1"	10/28	\$191.14
5182-320	1"	10/35	\$225.23
5149-380	1 1/4" x 1" x 1"	8/36	\$296.39
5149-375	1 1/4" x 1" x 1 1/4"	8/38	\$309.08
5142-347	1 1/4"	6/33	\$354.31
5120-478	1 1/2"	3/19	\$532.71
5182-085	2"	2/18	\$746.95

#### 76100WT

T CTS x T CTS



Part No.	Size	Carton PCS/WT	Price
5132-136	3/4" x 5/8" x 3/4"	20/37	\$95.41
5139-110	3/4"	15/31	\$151.42
5139-199	1" x 3/4" x 3/4"	10/23	\$163.88
5142-193	1" x 3/4" x 1"	10/27	\$191.14
5139-111	1"	10/35	\$225.23
5132-009	1 1/4" x 1" x 1"	8/36	\$296.39
5149-376	1 1/4" x 1" x 1 1/4"	8/33	\$309.08
	1 1/4"	8/44	\$354.30
5120-474	1 1/2"	3/18	\$532.71
5132-002	2"	2/18	\$746.95

#### 76100W-33

-33 PEP-7 x -33 PEP-7



Part No.	Size	Carton PCS/WT	Price
5139-195	3/4"	10/25	\$191.14
5132-037	3/4" x 1" x 1"	8/40	\$239.18
5149-330	1"	8/34	\$288.69

#### 76100W-34

-34 PEP-9 x -34 PEP-9



Part No.	Size	Carton PCS/WT	Price
	3/4" x 5/8" x 3/4"	10/25	\$191.13
	3/4"	8/40	\$239.18
	1"	8/34	\$288.68

#### 76100W-3Q

-3Q PEP-7 x -3Q PEP-7



Part No.	Size	Carton PCS/WT	Price
5183-251	3/4"	10/27	\$191.14
	3/4" x 1" x 1"	10/38	\$239.18
5149-329	1"	8/34	\$288.69

#### 76100W-44

-44 PVC x -44 PVC



Part No.	Size	Carton PCS/WT	Price
5139-196	3/4"	10/25	\$191.14
5132-039	3/4" x 1" x 1"	10/38	\$239.18
5149-331	1"	8/35	\$288.69
5150-130	1 1/4"	3/18	\$454.18
5132-460	1 1/2"	3/22	\$549.37
5132-004	2"	2/24	\$821.28

#### 76100WG-44

G CTS x -44 PVC



Part No.	Size	Carton PCS/WT	Price
5192-373	3/4" x 5/8" x 3/4"	10/34	\$118.08
5192-274	3/4"	15/36	\$174.13
	1"	10/39	\$263.60

#### 76100WQ-44

Q CTS x -44 PVC



Part No.	Size	Carton PCS/WT	Price
	3/4" x 5/8" x 3/4"	20/43	\$118.08
5183-190	3/4"	15/35	\$174.13
5183-191	1"	10/39	\$263.60

#### 76100W-55

-55 IP x -55 IP



Part No.	Size	Carton PCS/WT	Price
5146-150	3/4"	10/26	\$187.61
5132-041	3/4" x 1" x 1"	10/39	\$253.16
5149-332	1"	8/36	\$285.79
	1 1/2"	3/22	\$549.21
5142-379	2"	2/27	\$724.83

#### 76100WT-55

T CTS x -55 IP



Part No.	Size	Carton PCS/WT	Price
5142-454	3/4"	15/33	\$178.81





## Straight Ball Valves

### 90° ON/OFF TEE OPERATING HEAD

A.Y. McDonald Ball Curb Stops maintain a low turning torque and bubble-tight 300 PSIG water pressure rating due to the PTFE coated brass ball that is supported by two blow-out proof EPDM seals. The end piece joint is sealed with an EPDM O-ring and thread locker. McDonald Ball Curb Stops offer positive shut-off from either direction and are available with a wide variety of end connections.

#### 76102

Flare x FNPT



Part No.	Size	Carton PCS/WT	Price
5132-137	3/4" x 5/8" x 3/4"	20/31	\$78.77
5132-473	3/4" x 5/8" x 4.00	20/34	\$71.96
5132-013	3/4" x 3/4" x 1"	15/39	\$142.70
5129-177	3/4"	15/27	\$134.78
5139-130	1" x 3/4" x 3/4"	10/21	\$151.24
5139-129	1" x 3/4" x 1"	10/22	\$157.65
5129-178	1"	10/30	\$190.32
5129-100	1" x 5.25	10/34	\$190.32
5139-143	1 1/4" x 1" x 1"	8/35	\$258.44
5132-015	1 1/4" x 1" x 1 1/4"	10/39	\$274.48
5142-350	1 1/4"	8/37	\$319.31
5129-114	1 1/2"	3/19	\$430.84
5129-120	2"	3/30	\$632.56

#### 76102Q

Q CTS x FNPT



Part No.	Size	Carton PCS/WT	Price
5182-288	3/4" x 5/8" x 3/4"	20/28	\$83.76
5182-032	3/4"	15/24	\$128.81
	3/4" x 3/4" x 1"	15/24	\$128.81
	3/4" x 3.88	15/25	\$151.24
5142-464	1" x 3/4" x 3/4"	10/18	\$144.30
5182-306	1" x 3/4" x 1"	10/21	\$152.92
5182-051	1"	10/28	\$197.81
5183-356	1 1/4" x 3/4" x 1"	10/40	\$205.69
5182-216	1 1/4" x 1" x 1"	10/19	\$258.45
5149-379	1 1/4" x 1" x 1 1/4"	10/31	\$276.72
5142-354	1 1/4"	10/32	\$319.31
5182-136	1 1/2"	8/34	\$430.84
5182-083	2"	3/17	\$599.02

#### 76102-34

-34 PEP-9 x FNPT



Part No.	Size	Carton PCS/WT	Price
	3/4" x 5/8" x 3/4"	20/36	\$94.00
	3/4"	15/27	\$151.24
	3/4" x 3/4" x 1"	10/19	\$167.78
	3/4" x 1" x 1"	10/34	\$191.28
	1" x 3/4" x 1"	10/19	\$174.32
5123-211	1"	10/30	\$196.49
	1" x 1" x 3/4"	10/34	\$167.78
	1 1/4"	8/39	\$356.66
5125-038	1 1/2"	3/19	\$429.04
	2"	3/30	\$717.74

#### 76102-22

-22 CTS x FNPT



Part No.	Size	Carton PCS/WT	Price
5133-148	3/4" x 5/8" x 3/4"	20/27	\$83.76
5133-156	3/4"	15/24	\$128.81
5132-499	3/4" x 3.88	15/26	\$128.81
5132-020	3/4" x 3/4" x 1"	15/25	\$151.24
5133-193	1" x 3/4" x 3/4"	10/18	\$144.30
5133-192	1" x 3/4" x 1"	10/19	\$152.92
5133-167	1"	10/26	\$197.81
	1 1/4" x 3/4" x 1"	10/19	\$205.69
5142-144	1 1/4" x 1" x 1"	10/30	\$258.45
5132-023	1 1/4" x 1" x 1 1/4"	10/32	\$276.72
5142-351	1 1/4"	8/34	\$319.31
5133-176	1 1/2"	3/18	\$430.84
5133-185	2"	3/25	\$599.02

#### 76102T

T CTS x FNPT



Part No.	Size	Carton PCS/WT	Price
5132-139	3/4" x 5/8" x 3/4"	20/28	\$83.76
5129-183	3/4"	15/26	\$128.81
5139-000	3/4" x 3/4" x 1"	15/26	\$128.81
	3/4" x 3.88"	10/17	\$151.24
5139-168	1" x 3/4" x 3/4"	10/19	\$144.30
5139-169	1" x 3/4" x 1"	10/20	\$152.92
5129-184	1"	10/27	\$197.81
	1 1/4" x 3/4" x 1"	10/19	\$205.69
5139-144	1 1/4" x 1" x 1"	10/36	\$258.45
5132-019	1 1/4" x 1" x 1 1/4"	10/31	\$276.72
	1 1/4"	8/34	\$319.31
5131-109	1 1/2"	3/16	\$430.84
5131-110	2"	3/23	\$599.02

#### 76102-3G

-3G PEP-7 x FNPT



Part No.	Size	Carton PCS/WT	Price
	3/4" x 5/8" x 3/4"	20/37	\$94.00
5192-363	3/4"	15/31	\$151.24
	3/4" x 3/4" x 1"	15/30	\$167.78
	3/4" x 1" x 1"	10/30	\$191.28
	1" x 3/4" x 1"	10/19	\$174.32
5192-364	1"	10/32	\$214.76
5192-464	1" x 10.84"	8/36	\$248.14

#### 76102-3Q

-3Q PEP-7 x FNPT



Part No.	Size	Carton PCS/WT	Price
5182-494	3/4" x 5/8" x 3/4"	20/37	\$94.01
5182-308	3/4"	15/28	\$151.24
5132-392	3/4" x 3/4" x 1"	15/30	\$167.78
5132-390	3/4" x 1" x 1"	10/30	\$191.28
5183-355	1" x 3/4" x 1"	10/31	\$174.32
5182-227	1"	10/19	\$214.76

#### 76102G

G CTS x FNPT



Part No.	Size	Carton PCS/WT	Price
5192-367	3/4" x 5/8" x 3/4"	20/29	\$83.76
5192-125	3/4"	15/27	\$128.81
	3/4" x 3/4" x 1"	15/27	\$128.81
	3/4" x 3.88	15/25	\$151.24
5192-182	1" x 3/4" x 3/4"	10/21	\$144.30
5192-281	1" x 3/4" x 1"	10/21	\$152.92
5192-123	1"	10/28	\$197.81
	1 1/4" x 3/4" x 1"	8/35	\$205.69
	1 1/4" x 1" x 1"	10/19	\$258.45
	1 1/4" x 1" x 1 1/4"	10/30	\$276.72
5142-353	1 1/4"	10/32	\$319.31
5192-260	1 1/2"	3/17	\$430.84
5192-045	2"	3/24	\$599.02

#### 76102-33

-33 PEP-7 x FNPT



Part No.	Size	Carton PCS/WT	Price
5129-048	3/4" x 5/8" x 3/4"	20/36	\$94.01
5142-135	3/4"	15/27	\$151.24
5132-024	3/4" x 3/4" x 1"	10/19	\$167.78
5132-384	3/4" x 1" x 1"	10/34	\$191.28
	1" x 3/4" x 1"	10/19	\$174.32
5142-136	1"	10/30	\$214.76
5142-295	1" x 1" x 3/4"	10/34	\$167.78
5142-352	1 1/4"	8/39	\$356.66
5131-025	1 1/2"	3/19	\$468.93
5131-038	2"	3/30	\$717.75

#### 76102-44

-44 PVC x FNPT



Part No.	Size	Carton PCS/WT	Price
5129-049	3/4" x 5/8" x 3/4"	20/34	\$88.63
5142-184	3/4"	15/27	\$151.24
5132-025	3/4" x 3/4" x 1"	10/35	\$167.78
5132-393	3/4" x 1" x 1"	10/34	\$191.28
5132-290	1" x 3/4" x 3/4"	15/36	\$167.78
	1" x 3/4" x 1"	10/19	\$174.32
5142-185	1"	10/30	\$214.76
5119-180	1" x 10.84"	5/42	\$248.14
5150-131	1 1/4"	3/15	\$356.44
5133-351	1 1/4" x 1" x 1"	5/25	\$356.50
5132-047	1 1/4" x 1 1/2" x 1 1/2"	3/21	\$386.71
5132-207	1 1/2"	3/19	\$453.41
5132-197	2"	3/28	\$632.56

- Additional end connection combinations are available – Contact Factory



## Straight Ball Valves

### 90° ON/OFF TEE OPERATING HEAD

A.Y. McDonald Ball Curb Stops maintain a low turning torque and bubble-tight 300 PSIG water pressure rating due to the PTFE coated brass ball that is supported by two blow-out proof EPDM seals. The end piece joint is sealed with an EPDM O-ring and thread locker. McDonald Ball Curb Stops offer positive shut-off from either direction and are available with a wide variety of end connections.

#### 76102-55

-55 IP x FNPT



Part No.	Size	Carton PCS/WT	Price
5129-050	3/4" x 5/8" x 3/4"	20/36	\$88.63
5146-151	3/4"	15/25	\$148.61
5132-026	3/4" x 3/4" x 1"	10/33	\$182.04
5132-396	3/4" x 1" x 1"	10/33	\$191.28
	1" x 3/4" x 1"	10/19	\$174.32
5146-152	1"	10/32	\$212.63
	1 1/2"	3/19	\$453.41
5132-266	2"	2/19	\$682.39

#### 76102WREP-22

REP -22 CTS x FNPT, Lockwing



Part No.	Size	Carton PCS/WT	Price
5141-489	1 1/4" x 1" x 1" x 10.25	8/48	\$312.63
5141-488	2" x 10.25	2/20	\$817.01

## Repair Straight Ball Valves

### 90° ON/OFF TEE OPERATING HEAD

A.Y. McDonald Repair Ball Curb Stops supply additional lay length to allow them to make up the difference between a longer curb stop or longer space if a curb stop is cut out of an existing service line while maintaining a low turning torque and bubble-tight 300 PSIG water pressure rating due to the PTFE coated brass ball that is supported by two blow-out proof EPDM seals. The end piece joint is sealed with an EPDM O-ring and thread locker. McDonald Ball Curb Stops offer positive shut-off from either direction and are available with a wide variety of end connections.

#### 76102REP-22

REP -22 CTS x FNPT



Part No.	Size	Carton PCS/WT	Price
	3/4" x 9.75"	10/25	\$171.52
5150-149	1" x 10.25"	10/40	\$246.92
5150-168	1 1/2" x 10.40"	3/21	\$559.40
5150-160	2" x 10.25"	2/18	\$817.01

#### 76102REPQ

REP Q CTS x FNPT



Part No.	Size	Carton PCS/WT	Price
5149-491	3/4" x 9.75"	10/25	\$171.52
5149-490	1" x 10.25"	10/40	\$246.92
5150-166	1 1/2" x 10.40"	3/21	\$559.40
5150-158	2" x 10.25"	2/18	\$817.01

#### 76102REP-3Q

REP 3Q PEP-7 x FNPT



Part No.	Size	Carton PCS/WT	Price
5141-476	3/4" x 9.75"	8/24	\$181.35
5141-477	1" x 10.25"	8/40	\$249.13

#### 76102REPT

REP T CTS x FNPT



Part No.	Size	Carton PCS/WT	Price
	3/4" x 9.75"	10/25	\$171.52
	1" x 10.25"	10/40	\$246.92
5150-167	1 1/2" x 10.40"	3/21	\$559.40
5150-159	2" x 10.25"	2/18	\$817.01

#### 76102REPG

REP G CTS x FNPT



Part No.	Size	Carton PCS/WT	Price
	3/4" x 9.75"	10/25	\$171.52
	1" x 10.25"	10/40	\$246.92
5150-169	1 1/2" x 10.40"	3/21	\$559.40
5150-161	2" x 10.25"	2/18	\$817.01

#### 76102REP-44

REP -44 PVC x FNPT



Part No.	Size	Carton PCS/WT	Price
5141-481	1" x 10.25"	8/40	\$248.14

- Additional end connection combinations are available – Contact Factory





## Straight Ball Valves

### 90° ON/OFF TEE OPERATING HEAD WITH LOCKWING

A.Y. McDonald Ball Curb Stops maintain a low turning torque and bubble-tight 300 PSIG water pressure rating due to the PTFE coated brass ball that is supported by two blow-out proof EPDM seals. The end piece joint is sealed with an EPDM O-ring and thread locker. McDonald Ball Curb Stops offer positive shut-off from either direction and are available with a wide variety of end connections.

#### 76102W

Flare x FNPT



Part No.	Size	Carton PCS/WT	Price
5132-304	3/4" x 5/8" x 1/2"	20/35	\$83.35
5132-138	3/4" x 5/8" x 3/4"	20/30	\$83.43
5139-370	3/4" x 5/8" x 3/4" x 3.75"	20/33	\$84.85
5132-224	3/4" x 5/8" x 3/4" x 4.50"	20/36	\$103.22
5132-014	3/4" x 3/4" x 1"	15/39	\$147.34
5139-116	3/4"	15/27	\$139.54
5141-339	3/4" x 3.75"	15/30	\$139.54
5139-079	3/4" x 4.12"	15/29	\$139.54
5142-198	1" x 3/4" x 3/4"	10/28	\$155.94
5142-199	1" x 3/4" x 1"	10/22	\$162.29
5142-297	1" x 3/4" x 1" x 4.50"	10/23	\$154.97
5139-118	1"	10/32	\$194.92
5149-468	1" x 4.50"	10/31	\$194.92
5139-077	1" x 5.00"	10/33	\$194.98
5142-399	1" x 5.25"	10/34	\$194.99
5129-001	1 1/4" x 1" x 1"	8/35	\$263.52
5142-305	1 1/4" x 1" x 1 1/4"	10/40	\$255.66
5142-356	1 1/4"	8/38	\$323.98
5139-184	1 1/2"	3/20	\$435.79
5139-187	2"	3/31	\$637.65

#### 76102W-22

-22 CTS x FNPT



Part No.	Size	Carton PCS/WT	Price
5133-149	3/4" x 5/8" x 3/4"	20/29	\$88.36
	3/4" x 5/8" x 3/4" x 3.31	20/29	\$88.36
5139-120	3/4"	15/25	\$133.41
5133-055	3/4" x 4.06	15/29	\$141.94
5132-021	3/4" x 3/4" x 1"	15/26	\$155.94
5133-328	1" x 5/8" x 3/4"	20/33	\$144.30
5143-100	1" x 3/4" x 3/4"	10/19	\$149.11
5143-101	1" x 3/4" x 1"	10/19	\$157.65
	1" x 4.50	10/27	\$202.44
5142-490	1" x 5.00	10/27	\$202.44
5139-117	1"	10/33	\$202.44
5132-022	1 1/4" x 1" x 1"	10/39	\$263.54
5149-337	1 1/4" x 1" x 1 1/4"	10/33	\$255.64
5142-357	1 1/4"	8/37	\$323.98
5139-186	1 1/2"	3/18	\$435.95
5139-189	2"	3/25	\$604.17

#### 76102W-3Q

-3Q PEP-7 x FNPT



Part No.	Size	Carton PCS/WT	Price
5182-495	3/4" x 5/8" x 3/4"	20/35	\$98.68
5132-398	3/4"	10/20	\$155.94
5132-386	3/4" x 3/4" x 1"	10/19	\$172.48
5132-391	3/4" x 1" x 1"	10/28	\$195.94
5132-385	1"	10/32	\$219.45

#### 76102WG

G CTS x FNPT



Part No.	Size	Carton PCS/WT	Price
5192-048	3/4" x 5/8" x 3/4"	20/31	\$88.36
	3/4" x 5/8" x 3/4" x 3.31"	20/32	\$88.36
5142-270	3/4"	15/27	\$133.41
	3/4" x 3/4" x 1"	15/29	\$141.93
	3/4" x 4.06"	15/26	\$155.93
5129-057	1" x 5/8" x 3/4"	20/34	\$144.30
	1" x 3/4" x 3/4"	10/19	\$149.11
5192-030	1" x 3/4" x 1"	10/21	\$157.65
5192-036	1"	10/29	\$202.44
	1" x 4.50	10/29	\$202.44
	1 1/4" x 1" x 1"	10/35	\$263.54
	1 1/4" x 1" x 1 1/4"	10/34	\$255.63
5142-358	1 1/4"	8/39	\$323.98
5192-187	1 1/2"	3/18	\$435.95
5192-159	2"	3/24	\$604.17

#### 76102WQ

Q CTS x FNPT



Part No.	Size	Carton PCS/WT	Price
5182-111	3/4" x 5/8" x 3/4"	20/30	\$88.36
5183-180	3/4" x 5/8" x 3/4" x 3.31"	20/32	\$88.36
5182-070	3/4"	15/26	\$133.41
5183-192	3/4" x 3/4" x 1"	15/29	\$155.94
	3/4" x 4.06	15/26	\$141.93
5182-499	1" x 5/8" x 3/4"	20/34	\$144.30
5139-371	1" x 3/4" x 3/4"	10/19	\$149.11
5182-015	1" x 3/4" x 1"	10/21	\$157.65
5182-057	1"	10/28	\$202.44
5149-432	1" x 4.50	10/29	\$202.44
5149-377	1 1/4" x 1" x 1"	10/35	\$263.54
5149-378	1 1/4" x 1" x 1 1/4"	10/34	\$255.64
5142-359	1 1/4"	8/38	\$323.98
5132-275	1 1/2"	3/16	\$435.95
5182-086	2"	3/24	\$604.17

#### 76102WT

T CTS x FNPT



Part No.	Size	Carton PCS/WT	Price
5132-140	3/4" x 5/8" x 3/4"	20/29	\$88.36
	3/4" x 5/8" x 3/4" x 3.31	20/32	\$88.36
5139-121	3/4"	15/26	\$133.41
	3/4" x 4.06"	15/29	\$141.93
5132-017	3/4" x 3/4" x 1"	10/42	\$155.94
5129-058	1" x 5/8" x 3/4"	20/34	\$144.30
5143-104	1" x 3/4" x 3/4"	10/20	\$149.11
5143-105	1" x 3/4" x 1"	10/20	\$157.65
5139-119	1"	10/29	\$202.44
	1" x 4.50"	10/29	\$202.44
5132-018	1 1/4" x 1" x 1"	10/36	\$263.54
5149-360	1 1/4" x 1" x 1 1/4"	10/33	\$255.64
	1 1/4"	8/38	\$323.98
5139-185	1 1/2"	3/17	\$435.95
5139-188	2"	3/25	\$604.17

#### 76102W-33

-33 PEP-7 x FNPT



Part No.	Size	Carton PCS/WT	Price
5132-254	3/4" x 5/8" x 3/4"	20/34	\$98.68
5143-102	3/4"	15/29	\$155.94
5132-027	3/4" x 3/4" x 1"	10/19	\$172.48
5132-394	3/4" x 1" x 1"	8/32	\$195.94
5132-030	1"	10/31	\$219.45
5141-405	1 1/2"	3/19	\$473.59
5146-344	2"	3/28	\$637.65

#### 76102W-34

-34 PEP-9 x -34 PEP-9



Part No.	Size	Carton PCS/WT	Price
	3/4" x 5/8" x 3/4"	20/34	\$98.68
	3/4"	15/29	\$155.93
	3/4" x 3/4" x 1"	10/19	\$172.47
	3/4" x 1" x 1"	10/40	\$195.94
	1"	10/31	\$219.45
	1 1/2"	3/19	\$473.59
	2"	3/28	\$637.65

#### 76102W-44

-44 PVC x FNPT



Part No.	Size	Carton PCS/WT	Price
5132-255	3/4" x 5/8" x 3/4"	20/35	\$93.33
5143-103	3/4"	15/28	\$155.94
5132-028	3/4" x 3/4" x 1"	10/36	\$172.48
5132-395	3/4" x 1" x 1"	10/40	\$195.94
5141-461	1" x 3/4" x 3/4"	15/36	\$167.48
5132-031	1"	10/32	\$219.45
5150-132	1 1/4"	3/15	\$361.11
5132-048	1 1/4" x 1 1/2" x 1 1/2"	3/24	\$391.75
5132-208	1 1/2"	3/17	\$458.38
5132-198	2"	3/28	\$637.65

#### 76102W-55

-55 IP x FNPT



Part No.	Size	Carton PCS/WT	Price
5129-051	3/4" x 5/8" x 3/4"	20/34	\$93.33
5146-153	3/4"	15/26	\$153.24
5132-029	3/4" x 3/4" x 1"	10/19	\$186.76
5132-397	3/4" x 1" x 1"	10/40	\$195.94
5132-032	1"	10/32	\$217.26
	1 1/2"	3/17	\$440.55
	2"	3/28	\$593.16



## Straight Ball Valves

### 90° ON/OFF TEE OPERATING HEAD WITH LOCKWING

A.Y. McDonald Ball Curb Stops maintain a low turning torque and bubble-tight 300 PSIG water pressure rating due to the PTFE coated brass ball that is supported by two blow-out proof EPDM seals. The end piece joint is sealed with an EPDM O-ring and thread locker. McDonald Ball Curb Stops offer positive shut-off from either direction and are available with a wide variety of end connections.



#### 76101

FNPT x FNPT

Part No.	Size	Carton PCS/WT	Price
5132-326	1/2" x 5/8" x 1/2"	20/23	\$70.06
5132-130	3/4" x 5/8" x 3/4"	20/22	\$70.06
5132-155	3/4" x 5/8" x 3/4" x 3.50"	20/26	\$76.52
5132-153	3/4" x 5/8" x 3/4" x 3.75"	20/25	\$74.44
5142-302	3/4" x 3.44"	15/21	\$113.99
5129-173	3/4"	15/20	\$113.99
5143-192	1" x 3/4" x 3/4"	15/21	\$122.49
5143-193	1" x 3/4" x 1"	15/22	\$127.12
5149-433	1" x 3/4" x 1" x 3.5	15/23	\$122.49
5142-303	1" x 3.81"	10/23	\$177.14
5129-174	1"	10/23	\$177.14
5132-011	1 1/4" x 1" x 1"	8/28	\$228.96
5129-124	1 1/4" x 1" x 1 1/4"	10/24	\$244.71
5142-348	1 1/4"	10/27	\$288.86
5129-113	1 1/2"	3/14	\$362.77
5129-119	2"	3/20	\$530.54
5132-450	2 1/2" x 2" x 2 1/2"	2/16	\$680.67
5123-227	2 1/2" x 2" x 2 1/2" x 8.85	2/18	\$680.67

#### 76101W

FNPT x FNPT, Lockwing

Part No.	Size	Carton PCS/WT	Price
5129-015	1/2" x 5/8" x 1/2"	20/23	\$74.72
5132-128	3/4" x 5/8" x 3/4"	20/24	\$74.72
5149-371	3/4" x 5/8" x 3/4" x 2.94"	20/24	\$74.72
5149-372	3/4" x 5/8" x 3/4" x 3.19"	20/26	\$79.11
5149-373	3/4" x 5/8" x 3/4" x 3.38"	20/26	\$81.18
5132-156	3/4" x 5/8" x 3/4" x 3.50"	20/28	\$81.18
5132-154	3/4" x 5/8" x 3/4" x 3.75"	20/29	\$79.11
5142-397	3/4" x 5/8" x 3/4" x 3.94"	20/30	\$81.18
5142-301	3/4" x 3.44"	15/22	\$118.66
5130-079	3/4" x 3.75"	15/24	\$128.81
5139-112	3/4"	15/21	\$118.66
5142-195	1" x 3/4" x 3/4"	15/21	\$127.12
5142-196	1" x 3/4" x 1"	15/23	\$131.90
5142-304	1" x 3.81"	10/24	\$181.87
5139-003	1" x 4.50"	10/27	\$205.16
5139-113	1"	10/24	\$181.85
5132-012	1 1/4" x 1" x 1"	8/33	\$293.54
5149-333	1 1/4" x 1" x 1 1/4"	10/36	\$234.06
5142-349	1 1/4"	10/29	\$249.88
5139-182	1 1/2"	3/14	\$367.93
5139-183	2"	3/20	\$535.72
5132-458	2 1/2" x 2" x 2 1/2"	2/17	\$685.85
5123-228	2 1/2" x 2" x 2 1/2" x 8.85	2/18	\$685.85

- Additional end connection combinations are available – Contact Factory



## Straight Ball Valves

### 90° ON/OFF TEE OPERATING HEAD

A.Y. McDonald Ball Curb Stops maintain a low turning torque and bubble-tight 300 PSIG water pressure rating due to the PTFE coated brass ball that is supported by two blow-out proof EPDM seals. The end piece joint is sealed with an EPDM O-ring and thread locker. McDonald Ball Curb Stops offer positive shut-off from either direction and are available with a wide variety of end connections.

#### 76103-22 -22 CTS x Flare



Part No.	Size	Carton PCS/WT	Price
5132-401	3/4"	15/33	\$141.41
5129-004	1" x 3/4" x 3/4"	10/31	\$169.78
5129-009	1"	10/36	\$212.93
	1 1/4"	8/48	\$349.64
	1 1/2"	3/25	\$513.20
	2"	2/29	\$779.08

#### 76103Q Q CTS x Flare



Part No.	Size	Carton PCS/WT	Price
5182-030	3/4"	15/34	\$141.41
	1" x 3/4" x 3/4"	10/31	\$169.78
5183-095	1"	10/37	\$212.93
	1 1/4"	8/48	\$349.64
	1 1/2"	3/25	\$513.20
	2"	2/29	\$779.08

#### 76103-3G -3G PEP-7 x Flare



Part No.	Size	Carton PCS/WT	Price
	3/4"	10/25	\$167.79
	1"	10/36	\$253.38

#### 76103G G CTS x Flare



Part No.	Size	Carton PCS/WT	Price
	3/4"	15/33	\$141.40
	1" x 3/4" x 3/4"	10/31	\$169.78
	1"	10/36	\$212.92
	1 1/4"	8/48	\$349.64
	1 1/2"	3/25	\$513.20
	2"	2/29	\$779.08

#### 76103T T CTS x Flare



Part No.	Size	Carton PCS/WT	Price
5132-399	3/4"	15/35	\$141.41
5132-400	1" x 3/4" x 3/4"	10/31	\$169.78
5132-403	1"	10/36	\$212.93
	1 1/4"	8/48	\$349.64
	1 1/2"	3/25	\$513.20
	2"	2/29	\$779.08

#### 76103-3Q -3Q PEP-7 x Flare



Part No.	Size	Carton PCS/WT	Price
5182-255	3/4"	10/25	\$167.79
5183-464	1"	10/36	\$253.38

#### 76103REPQ Flare x REP Q CTS

Part No.	Size	Carton PCS/WT	Price
5141-416	3/4" x 10.50"	8/24	\$211.00
5142-480	1" x 11.06"	8/37	\$262.32

## Straight Ball Valves - Compression x Flare

### 90° ON/OFF TEE OPERATING HEAD WITH LOCKWING

A.Y. McDonald Ball Curb Stops maintain a low turning torque and bubble-tight 300 PSIG water pressure rating due to the PTFE coated brass ball that is supported by two blow-out proof EPDM seals. The end piece joint is sealed with an EPDM O-ring and thread locker. McDonald Ball Curb Stops offer positive shut-off from either direction and are available with a wide variety of end connections.

#### 76103W-22 -22 CTS x Flare, Lockwing



Part No.	Size	Carton PCS/WT	Price
	3/4"	15/33	\$146.06
	1" x 3/4" x 3/4"	10/31	\$174.44
5129-008	1"	10/38	\$217.64
	1 1/2"	3/25	\$518.18
	2"	2/29	\$784.06

#### 76103WQ Q CTS x Flare, Lockwing



Part No.	Size	Carton PCS/WT	Price
	3/4"	15/33	\$146.06
	1" x 3/4" x 3/4"	10/31	\$174.44
	1"	10/38	\$217.63

#### 76103W-3G -3G PEP-7 x Flare, Lockwing



Part No.	Size	Carton PCS/WT	Price
	3/4"	10/25	\$172.45
	1"	10/36	\$258.04

#### 76103WG G CTS x Flare, Lockwing



Part No.	Size	Carton PCS/WT	Price
	3/4"	15/33	\$146.06
	1" x 3/4" x 3/4"	10/31	\$174.44
	1"	10/38	\$217.63

#### 76103WT T CTS x Flare, Lockwing



Part No.	Size	Carton PCS/WT	Price
	3/4"	15/33	\$146.06
	1" x 3/4" x 3/4"	10/31	\$174.44
	1"	10/38	\$217.63

#### 76103W-3Q -3Q PEP-7 x Flare, Lockwing



Part No.	Size	Carton PCS/WT	Price
	3/4"	10/25	\$172.45
	1"	10/36	\$258.04

- Additional end connection combinations are available – Contact Factory

## Straight Ball Valves

### 90° ON/OFF TEE OPERATING HEAD— WITH DIELECTRIC CONNECTION

A.Y. McDonald Ball Curb Stops with Di-Electric connection maintain a low turning torque and bubble-tight 300 PSIG water pressure rating due to the PTFE coated brass ball that is supported by two blow-out proof EPDM seals. The end piece joint is sealed with an EPDM O-ring and thread locker. McDonald Ball Curb Stops offer positive shut-off from either direction and are available with a wide variety of end connections. A nylon bushing is factory assembled and tested into these valves. This nylon bushing is designed to stop the flow of stray electrical current. Many configurations are available, contact factory to design to your requirements.



**76100DB**  
Flare with Di-electric Bushing Flare

Part No.	Size	Carton PCS/WT	Price
5129-082	3/4"	15/39	\$206.80
5121-099	1"	10/44	\$310.79
5122-037	1 1/2"	3/28	\$735.62
5122-038	2"	2/33	\$1,228.33



**76100DB-44**  
-44 PVC with Di-electric Bushing -44 PVC

Part No.	Size	Carton PCS/WT	Price
5121-499	2"	2/27	\$899.15



**76102DB-22**  
-22 CTS with Di-electric Bushing FNPT

Part No.	Size	Carton PCS/WT	Price
5121-479	3/4"	15/30	\$188.84



**76100DB-22**  
-22 CTS with Di-electric Bushing -22 CTS

Part No.	Size	Carton PCS/WT	Price
5121-058	3/4"	15/35	\$204.84
5121-059	1"	10/39	\$297.77
5121-060	1 1/2"	3/24	\$642.20
5121-061	2"	2/26	\$884.69



**76100WDB**  
Flare with Di-electric Bushing Flare with Lockwing

Part No.	Size	Carton PCS/WT	Price
5120-491	1 1/2"	3/28	\$650.22



**76104DBQ**  
Minneapolis Pattern Q CTS with Di-electric Bushing

Part No.	Size	Carton PCS/WT	Price
5182-197	3/4"	15/44	\$218.23
5182-198	1"	10/47	\$305.36



**76100DBQ**  
Q CTS with Di-electric Bushing Q CTS

Part No.	Size	Carton PCS/WT	Price
5121-466	3/4"	15/35	\$204.84
5182-346	1"	10/41	\$284.49
	1 1/2"		\$642.20
5119-172	2"		\$884.69



**76100WDB-22**  
-22 CTS with Di-electric Bushing -22 CTS with Lockwing

Part No.	Size	Carton PCS/WT	Price
5120-490	1 1/2"	3/25	\$642.62



**76100DBT**  
T CTS with Di-electric Bushing T CTS

Part No.	Size	Carton PCS/WT	Price
5122-064	3/4"	15/35	\$204.84
	1"	10/39	\$297.76
	1 1/2"	3/24	\$642.20
	2"	2/26	\$884.68

- Additional end connection combinations are available – Contact Factory



## Straight Ball Valves

### 90° ON/OFF TEE OPERATING HEAD

A.Y. McDonald Ball Curb Stops maintain a low turning torque and bubble-tight 300 PSIG water pressure rating due to the PTFE coated brass ball that is supported by two blow-out proof EPDM seals. The end piece joint is sealed with an EPDM O-ring and thread locker. McDonald Ball Curb Stops offer positive shut-off from either direction and are available with a wide variety of end connections.

#### 76107

FNPT x MNPT



Part No.	Size	Carton PCS/WT	Price
5132-050	3/4"	15/22	\$117.45
5132-052	1"	10/24	\$180.90
5142-438	1 1/4"	8/30	\$333.24
5132-187	1 1/2"	3/14	\$418.50
5132-182	2"	3/23	\$629.34

#### 76107-22

-22 CTS x MNPT



Part No.	Size	Carton PCS/WT	Price
5133-290	3/4"	15/27	\$149.69
	3/4" x 3/4" x 1"	15/29	\$182.18
5133-479	1"	10/27	\$211.06
5132-441	1 1/2"	3/17	\$480.38
	1 1/2" x 1 1/2" x 2"	3/17	\$563.11
5149-447	2"	3/25	\$645.85

#### 76107T

T CTS x MNPT



Part No.	Size	Carton PCS/WT	Price
5133-301	3/4"	15/27	\$149.69
	3/4" x 3/4" x 1"	15/29	\$182.18
5142-449	1"	10/27	\$211.06
5132-440	1 1/2"	3/17	\$480.38
	1 1/2" x 1 1/2" x 2"	3/17	\$563.11
	2"	3/26	\$645.84

#### 76107C

Flare x MNPT



Part No.	Size	Carton PCS/WT	Price
5146-297	3/4"	15/33	\$141.33
5149-445	1"	10/31	\$213.24
	1 1/4"	8/30	\$392.81
5149-427	1 1/2"	3/20	\$445.55
5142-482	2"	3/27	\$725.13

#### 76107G

G CTS x MNPT



Part No.	Size	Carton PCS/WT	Price
5192-111	3/4"	15/28	\$149.69
	3/4" x 3/4" x 1"	15/29	\$182.18
5192-183	1"	10/29	\$211.06
	1 1/2" X 1 1/2" X 2"	3/17	\$563.11
5192-354	1 1/2"	3/17	\$480.38
5192-339	2"	3/25	\$645.85

#### 76107-33

-33 PEP-7 x MNPT



Part No.	Size	Carton PCS/WT	Price
	3/4"	15/30	\$178.12
5133-398	1"	10/32	\$252.20
	1 1/2"	3/18	\$571.65
	2"	3/27	\$768.54

#### 76107P

MNPT x MNPT



Part No.	Size	Carton PCS/WT	Price
5146-350	3/4"	15/22	\$133.88
5149-327	1"	10/24	\$206.21
5126-038	1 1/2"	3/14	\$477.08
5132-486	2"	3/23	\$652.58

#### 76107Q

Q CTS x MNPT



Part No.	Size	Carton PCS/WT	Price
5182-423	3/4"	15/27	\$149.69
5182-424	3/4" x 3/4" x 1"	15/29	\$182.18
5182-427	1"	10/28	\$211.06
5182-378	1 1/2" X 1 1/2" X 2"	3/17	\$480.38
5141-391	1 1/2"	3/17	\$563.12
5182-364	2"	3/26	\$645.85

#### 76107-34

-34 PEP-9 x MNPT



Part No.	Size	Carton PCS/WT	Price
	3/4"	15/30	\$178.12
	1"	10/32	\$252.19
	1 1/2"	3/18	\$571.65
	2"	3/27	\$768.54

#### 76107-44

-44 PVC x MNPT



Part No.	Size	Carton PCS/WT	Price
	3/4"	15/30	\$178.12
5132-404	1"	10/32	\$252.20
	1 1/2"	3/18	\$571.65
5141-494	2"	3/27	\$768.54

#### 76107-55

-55 IP x MNPT



Part No.	Size	Carton PCS/WT	Price
	3/4"	15/30	\$178.12
	1"	10/32	\$252.19
	1 1/2"	3/18	\$571.65
	2"	3/27	\$768.54

## Repair Straight Ball Valves

### 90° ON/OFF TEE OPERATING HEAD

A.Y. McDonald Ball Curb Stops maintain a low turning torque and bubble-tight 300 PSIG water pressure rating due to the PTFE coated brass ball that is supported by two blow-out proof EPDM seals. The end piece joint is sealed with an EPDM O-ring and thread locker. McDonald Ball Curb Stops offer positive shut-off from either direction and are available with a wide variety of end connections.

#### 76107REPQ

Q CTS x MNPT



Part No.	Size	Carton PCS/WT	Price
5149-487	3/4" x 10.50	10/26	\$192.40
5149-486	1" x 11.12	8/32	\$260.16





## Straight Ball Valves

90° ON/OFF TEE OPERATING HEAD WITH LOCKWING

A.Y. McDonald Ball Curb Stops maintain a low turning torque and bubble-tight 300 PSIG water pressure rating due to the PTFE coated brass ball that is supported by two blow-out proof EPDM seals. The end piece joint is sealed with an EPDM O-ring and thread locker. McDonald Ball Curb Stops offer positive shut-off from either direction and are available with a wide variety of end connections.

### 76107W FNPT x MNPT



Part No.	Size	Carton PCS/WT	Price
5132-051	3/4"	15/21	\$122.14
5132-334	3/4" x 5/8" x 3/4"	20/23	\$71.81
5132-222	1"	10/25	\$185.68
5132-053	1 1/2"	3/15	\$423.61
5132-223	2"	3/21	\$634.48

### 76107WQ Q CTS x MNPT



Part No.	Size	Carton PCS/WT	Price
5183-132	3/4"	15/28	\$154.38
5149-416	1"	10/29	\$211.06
5142-372	1 1/4"	8/39	\$334.45
	1 1/2"	3/21	\$485.03
5142-499	2"	2/19	\$651.00

### 76107WT T CTS x MNPT



Part No.	Size	Carton PCS/WT	Price
5142-439	3/4"	15/27	\$154.38
5146-333	1"	10/29	\$211.06
	1 1/4" x 1" x 1 1/4"	10/35	\$267.00
	1 1/4"	8/39	\$334.44
	1 1/2"	3/21	\$485.03
5146-313	2"	2/19	\$651.00

### 76107WP MNPT x MNPT



Part No.	Size	Carton PCS/WT	Price
5146-343	3/4"	15/21	\$139.23
5149-474	1"	10/25	\$210.90
5149-476	2"	3/23	\$656.92

### 76107W-33 -33 PEP-7 x MNPT



Part No.	Size	Carton PCS/WT	Price
5141-490	3/4"	15/30	\$182.78
5146-335	1"	10/32	\$256.85

### 76107W-44 -44 PVC x MNPT



Part No.	Size	Carton PCS/WT	Price
5146-359	3/4"	15/30	\$182.78
5146-345	1"	10/32	\$256.85
5150-177	1 1/4"	3/18	\$576.31
5119-185	2"	3/30	\$791.09

### 76107W-22 -22 CTS x MNPT



Part No.	Size	Carton PCS/WT	Price
5142-285	3/4"	15/27	\$154.38
5139-097	1"	10/29	\$211.06
5149-455	1 1/4" x 1" x 1 1/4"	10/35	\$267.00
5142-370	1 1/4"	8/39	\$334.45
5146-325	1 1/2"	3/21	\$485.03
5139-098	2"	2/19	\$651.00

### 76107W-34 -34 PEP-9 x MNPT



Part No.	Size	Carton PCS/WT	Price
	3/4"	15/30	\$182.78
	1"	10/32	\$256.85

### 76107W-55 -55 IP x MNPT



Part No.	Size	Carton PCS/WT	Price
	3/4"	15/30	\$182.78
	1"	10/32	\$256.85
	1 1/4"	3/18	\$576.31
5132-335	2"	3/30	\$791.09

### 76107W-3Q -3Q PEP-7 x MNPT



Part No.	Size	Carton PCS/WT	Price
	3/4"	15/30	\$182.78
	1"	10/32	\$256.85

### 76107WG G CTS x MNPT



Part No.	Size	Carton PCS/WT	Price
5192-326	3/4"	15/29	\$154.38
5192-372	1"	10/29	\$211.06
5142-371	1 1/4"	8/40	\$334.45
5142-474	1 1/2"	3/21	\$485.04
5192-382	2"	2/19	\$651.00

### 76107W-3G -3G PEP-7 x MNPT



Part No.	Size	Carton PCS/WT	Price
	3/4"	15/30	\$182.78
	1"	10/32	\$256.85

- Additional end connection combinations are available – Contact Factory





# Vertical Inlet / Outlet Blow-Off Ball Valves

## 360° OPERATING HEAD

A.Y. McDonald Blow-Off Ball valves maintain a low turning torque and bubble-tight 300 PSIG water pressure rating due to the PTFE coated brass ball that is supported by two blow-out proof EPDM seals. The end cap joint is sealed with an EPDM O-ring and thread locker. McDonald Blow-Off Ball valves offer positive shut-off from either direction and are available with a wide variety of end connections.

### Options:

Valves can be ordered with a factory assembled (only) removable cap that offers a larger operating head, change model number by adding "CAP" to model number directly after the "B".

List price adder = \$30.08 for 3/4" and 1" - \$32.91 for 1 1/4", 1 1/2" or 2"

Example: 76109B 2" becomes 76109BCAP 2" or 76109B-22 2" becomes 76109BCAP-22 2"

To order replacement cap and set screw.

4100CAP 3/4" - \$23.50

4100CAP 1" - \$23.50

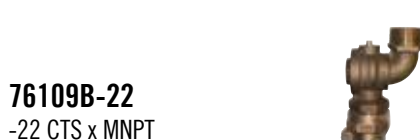
4100CAP 1 1/4" - 2" - \$23.50



### 76109B

Flare x MNPT

Part No.	Size	Carton PCS/WT	Price
5131-491	1" x 1" x 3/4"	10/29	\$237.63
5129-063	2" x 1 1/2" x 2"	2/21	\$867.80



### 76109B-22

-22 CTS x MNPT

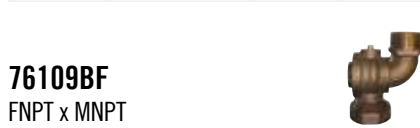
Part No.	Size	Carton PCS/WT	Price
5131-463	2" x 1 1/2" x 2"	2/13	\$629.92



### 76109BQ

Q CTS x MNPT

Part No.	Size	Carton PCS/WT	Price
5131-465	2" x 1 1/2" x 2"	2/12	\$629.92



### 76109BF

FNPT x MNPT

Part No.	Size	Carton PCS/WT	Price
5131-462	2" x 1 1/2" x 2"	2/12	\$550.19



### 76109BG

G CTS x MNPT

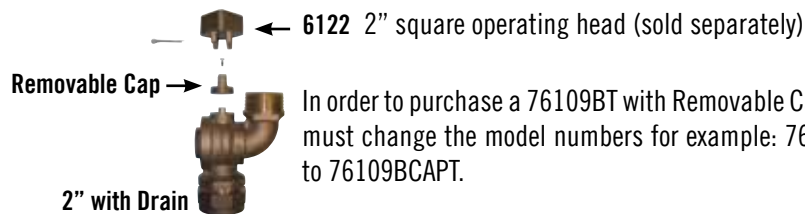
Part No.	Size	Carton PCS/WT	Price
5132-492	2" x 1 1/2" x 2"	2/14	\$629.92



### 76109BT

T CTS x MNPT

Part No.	Size	Carton PCS/WT	Price
5131-464	2" x 1 1/2" x 2"	2/8	\$629.92



In order to purchase a 76109BT with Removable Cap, you must change the model numbers for example: 76109BT to 76109BCAPT.

A brass 2" square operating head with brass cotter pin is also available in conjunction with the "CAP" option to provide a 2" square operating head that is easily pinned to existing curb stops with the "CAP" option and are sold separately. Model 6122 – List Price = \$31.81

A manual 1/8" drain feature with plug on the side of the outlet elbow is also available for manually draining the outlet side of this valve. Change model number by adding "D" to the model number. List Price Adder = \$23.08

Example: 76109BCAP 2" becomes 76109BCAPD 2" or 76109BCAP-22 2" becomes 76109BCAPD-22 2"

- Additional end connection combinations are available – Contact Factory

## Vertical Inlet / Outlet Blow-Off Ball Valves

### 360° OPERATING HEAD

A.Y. McDonald Blow-Off Ball valves maintain a low turning torque and bubble-tight 300 PSIG water pressure rating due to the PTFE coated brass ball that is supported by two blow-out proof EPDM seals. The end cap joint is sealed with an EPDM O-ring and thread locker. McDonald Blow-Off Ball valves offer positive shut-off from either direction and are available with a wide variety of end connections.



#### 76109BCAPF

FNPT x MNPT

Part No.	Size	Carton PCS/WT	Price
5126-024	2"	3/22	\$604.68
5131-497	2" x 1 1/2" x 2"	2/12	\$583.09



#### 76109BCAP

Flare x MNPT

Part No.	Size	Carton PCS/WT	Price
5129-079	1" x 1" x 3/4"	10/32	\$267.74
5129-080	2" x 1 1/2" x 2"	2/21	\$900.69



#### 76109BCAPQ

Q CTS x MNPT

Part No.	Size	Carton PCS/WT	Price
5126-034	2" x 1 1/2" x 2"	3/24	\$684.40
5142-293	2"	2/13	\$662.83



#### 76109BCAP-22

-22 CTS x MNPT

Part No.	Size	Carton PCS/WT	Price
5126-028	2"	3/18	\$684.40



#### 76109BCAPT

T CTS x MNPT

Part No.	Size	Carton PCS/WT	Price
	2"	3/24	\$684.40



#### 76109BCAPG

G CTS x MNPT

Part No.	Size	Carton PCS/WT	Price
	2"	3/24	\$684.40



#### 76109BCAPF-22

-22 CTS x FNPT

Part No.	Size	Carton PCS/WT	Price
5126-030	2"	3/25	\$676.13



#### 76109BCAPFF

FNPT x FNPT

Part No.	Size	Carton PCS/WT	Price
5126-032	2" x 1 1/2" x 2"	3/26	\$597.91
5126-026	2"	2/12	\$596.40



#### 76109BCAPD-22

-22 CTS x MNPT with Drain

Part No.	Size	Carton PCS/WT	Price
5126-029	2"	3/20	\$707.48



#### 76109BCAPDF

FNPT x FNPT with Drain

Part No.	Size	Carton PCS/WT	Price
5126-033	2" x 1 1/2" x 2"	2/12	\$574.83
5126-027	2"	3/22	\$619.48

#### 76109BCAPD

Flare x MNPT with Drain

Part No.	Size	Carton PCS/WT	Price
	2" x 1 1/2" x 2"	2/22	\$606.17

#### 76109BCAPDF

FNPT x MNPT with Drain

Part No.	Size	Carton PCS/WT	Price
5126-025	2"	3/22	\$627.75

#### 76109BCAPDF-22

FNPT x MNPT with Drain

Part No.	Size	Carton PCS/WT	Price
5126-031	2"	3/25	\$699.22



# Stop & Drain Straight Ball Valves

## 90° ON/OFF TEE OPERATING HEAD

A.Y. McDonald Stop & Drain Ball Curb Stops maintain a low turning torque and bubble-tight 150 PSIG water pressure rating due to the PTFE coated brass ball that is supported by two blow-out proof EPDM seals. The end piece joint is sealed with an EPDM O-ring and thread locker. McDonald Stop & Drain Ball Curb Stops are available with a wide variety of end connections.

All Stop & Drain Ball Valves are Directional and automatically drain from the outlet side when in the closed position.



### 76000

Flare x Flare

Part No.	Size	Carton PCS/WT	Price
5131-246	3/4"	15/36	\$178.09
5131-270	1"	10/38	\$234.84
5131-301	1 1/2"	3/26	\$587.65
5131-346	2"	2/30	\$905.63



### 76000G

G CTS x G CTS

Part No.	Size	Carton PCS/WT	Price
5192-206	3/4"	15/34	\$176.13
5120-493	1"	10/35	\$250.07
	1 1/2"	3/21	\$616.74
	2"	2/20	\$831.15



### 76000T

T CTS x T CTS

Part No.	Size	Carton PCS/WT	Price
5131-248	3/4"	15/32	\$176.13
5131-273	1"	10/35	\$250.07
5131-304	1 1/2"	3/21	\$616.74
5131-348	2"	2/19	\$831.15



### 76000-22

-22 CTS x -22 CTS

Part No.	Size	Carton PCS/WT	Price
5131-247	3/4"	15/30	\$176.13
5131-272	1"	10/32	\$250.07
5131-305	1 1/2"	3/21	\$616.74
5131-349	2"	2/20	\$831.15



### 76000Q

Q CTS x Q CTS

Part No.	Size	Carton PCS/WT	Price
5131-249	3/4"	15/32	\$176.13
5131-271	1"	10/35	\$250.07
5131-303	1 1/2"	3/20	\$616.74
5131-347	2"	2/19	\$831.15



### 76000-44

-44 PVC x -44 PVC

Part No.	Size	Carton PCS/WT	Price
5131-383	1 1/2"	3/23	\$633.42

### Option:

This drain feature can also include a check valve so that ground water cannot back flow into the outlet side of the service line.

Add "C" to the model number for this option.

Example: 76001 3/4" becomes 76001C 3/4"

List price adder = \$142.20 for all sizes.



### 76001

FNPT x FNPT

Part No.	Size	Carton PCS/WT	Price
5131-250	3/4"	15/21	\$143.39
5131-498	3/4" x 3.31"	15/23	\$155.30
5131-269	1"	10/24	\$206.65
5131-499	1" x 4.88"	10/27	\$206.72
5142-334	1 1/4"	8/33	\$377.41
5131-306	1 1/2"	3/16	\$451.62
5131-350	2"	2/14	\$619.61



Example of check valve on drain

- Additional end connection combinations are available – Contact Factory



## Stop & Drain Straight Ball Valves

### 90° ON/OFF TEE OPERATING HEAD

A.Y. McDonald Stop & Drain Ball Curb Stops maintain a low turning torque and bubble-tight 150 PSIG water pressure rating due to the PTFE coated brass ball that is supported by two blow-out proof EPDM seals. The end piece joint is sealed with an EPDM O-ring and thread locker. McDonald Stop & Drain Ball Curb Stops are available with a wide variety of end connections.

All Stop & Drain Ball Valves are Directional and automatically drain from the outlet side when in the closed position.

#### Option:

This drain feature can also include a check valve so that ground water cannot back flow into the outlet side of the service line.

Add "C" to the model number for this option.

Example: 76002 3/4" becomes 76002C 3/4"

List price adder = \$142.20 for all sizes.

#### 76002

Flare x FNPT



Part No.	Size	Carton PCS/WT	Price
5131-251	3/4"	15/28	\$164.21
	1"	10/35	\$216.05
5142-335	1 1/4"	8/38	\$407.89
	1 1/2"	3/24	\$540.64
	2"	2/28	\$833.19

#### 76002G

G CTS x FNPT



Part No.	Size	Carton PCS/WT	Price
	3/4"	15/25	\$158.21
	1"	10/29	\$227.28
	1 1/4"	8/37	\$407.89
	1 1/2"	3/24	\$540.64
	2"	2/28	\$833.19

#### 76002T

T CTS x FNPT



Part No.	Size	Carton PCS/WT	Price
5131-253	3/4"	15/26	\$158.21
5131-344	1"	10/25	\$227.28
	1 1/4"	8/37	\$407.89
	1 1/2"	3/24	\$540.64
	2"	2/28	\$833.19

#### 76002-22

-22 CTS x FNPT



Part No.	Size	Carton PCS/WT	Price
5131-252	3/4"	15/25	\$158.21
5131-345	1"	10/29	\$227.28
	1 1/4"	8/37	\$407.89
	1 1/2"	3/24	\$540.64
	2"	2/28	\$833.19

#### 76002Q

Q CTS x FNPT



Part No.	Size	Carton PCS/WT	Price
5131-254	3/4"	15/26	\$158.21
5131-343	1"	10/28	\$227.28
5142-336	1 1/4"	8/37	\$407.89
	1 1/2"	3/24	\$540.64
5141-468	2"	2/28	\$833.19

#### 76006-22

Minneapolis Pattern  
CTS x FNPT



Part No.	Size	Carton PCS/WT	Price
	3/4"		\$171.71
	1"		\$240.78
5146-378	1 1/2"	3/18	\$556.03
	2"		\$848.58

#### 76006-44

Minneapolis Pattern  
-44 PVC x FNPT



Part No.	Size	Carton PCS/WT	Price
5131-385	1 1/2"	3/20	\$557.76
5131-388	2"	2/19	\$737.09

- Additional end connection combinations are available – Contact Factory



# Stop & Drain Straight Ball Valves

## 90° ON/OFF TEE OPERATING HEAD - MINNEAPOLIS PATTERN BODY

A.Y. McDonald Stop & Drain Ball Curb Stops maintain a low turning torque and bubble-tight 150 PSIG water pressure rating due to the PTFE coated brass ball that is supported by two blow-out proof EPDM seals. The end piece joint is sealed with an EPDM O-ring and thread locker. McDonald Stop & Drain Ball Curb Stops are available with a wide variety of end connections.

All Stop & Drain Ball Valves are Directional and automatically drain from the outlet side when in the closed position

### Option:

This drain feature can also include a check valve so that ground water cannot back flow into the outlet side of the service line.

Add "C" to the model number for this option.

Example: 76004 3/4" becomes 76004C 3/4"


List price adder = \$142.20 for all sizes.

**76004**  
Flare x Flare



Part No.	Size	Carton PCS/WT	Price
5131-255	3/4"	15/41	\$191.61
5131-274	1"	10/41	\$248.34
5142-338	1 1/4"	8/51	\$453.62
5131-307	1 1/2"	3/27	\$603.02
5131-351	2"	2/30	\$921.58

**76004Q**  
Q CTS x Q CTS



Part No.	Size	Carton PCS/WT	Price
5131-258	3/4"	15/37	\$191.61
5131-277	1"	10/38	\$248.34
5142-339	1 1/4"	6/35	\$453.62
5131-309	1 1/2"	3/20	\$603.02
5131-352	2"	2/20	\$921.58

**76004-44**  
-44 PVC x -44 PVC



Part No.	Size	Carton PCS/WT	Price
5131-384	1 1/2"	3/23	\$648.78
5131-387	2"	2/27	\$921.03

**76004-22**  
-22 CTS x -22 CTS



Part No.	Size	Carton PCS/WT	Price
5131-256	3/4"	15/36	\$189.63
5131-275	1"	10/35	\$263.57
	1 1/4"	8/46	\$453.61
5131-311	1 1/2"	3/22	\$632.13
5131-354	2"	2/21	\$846.53

**76004T**  
T CTS x T CTS



Part No.	Size	Carton PCS/WT	Price
5131-257	3/4"	15/37	\$189.63
5131-276	1"	10/37	\$263.57
	1 1/4"	8/46	\$453.61
5131-310	1 1/2"	3/20	\$632.13
5131-353	2"	2/19	\$846.53

**76005**  
FNPT x FNPT



Part No.	Size	Carton PCS/WT	Price
5131-259	3/4"	15/29	\$156.88
5131-278	1"	10/25	\$220.14
5142-337	1 1/4"	8/35	\$392.82
5131-312	1 1/2"	3/17	\$467.00
5131-355	2"	2/15	\$635.01

**76004G**  
G CTS x G CTS



Part No.	Size	Carton PCS/WT	Price
	3/4"	15/37	\$191.61
	1"	10/38	\$248.34
	1 1/4"	8/46	\$453.61
	1 1/2"	3/20	\$603.02
	2"	2/20	\$921.57

**76004-33**  
-33 PEP-7 x -33 PEP-7



Part No.	Size	Carton PCS/WT	Price
5119-146	1 1/2" x 2" x 1 1/2"	2/20	\$679.82
5119-147	2"	1/12	\$951.15

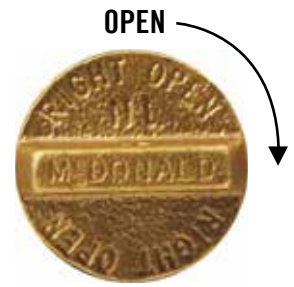
- Additional end connection combinations are available – Contact Factory

## Right Open Stop & Drain Straight Ball Valves

### 90° ON/OFF TEE OPERATING HEAD

A.Y. McDonald Stop & Drain Ball Curb Stops maintain a low turning torque and bubble-tight 150 PSIG water pressure rating due to the PTFE coated brass ball that is supported by two blow-out proof EPDM seals. The end piece joint is sealed with an EPDM O-ring and thread locker. McDonald Stop & Drain Ball Curb Stops are available with a wide variety of end connections.

All Stop & Drain Ball Valves are Directional and automatically drain from the outlet side when in the closed position.



### Option:

This drain feature can also include a check valve so that ground water cannot back flow into the outlet side of the service line.

Add "C" to the model number for this option.

Example: 76070Q 3/4" becomes 76070QC 3/4"

List price adder = \$142.20 for all sizes.

### 76070

Flare x Flare



Part No.	Size	Carton PCS/WT	Price
5131-432	1 1/2"	3/27	\$608.41
5131-438	2"	2/30	\$926.41

### 76070-22

-22 CTS x -22 CTS



Part No.	Size	Carton PCS/WT	Price
5131-424	3/4"	15/30	\$196.94
5131-429	1"	10/33	\$270.85
5131-434	1 1/2"	3/21	\$637.48
5131-439	2"	2/21	\$851.91

### 76070T

T CTS x T CTS



Part No.	Size	Carton PCS/WT	Price
5131-425	3/4"	15/32	\$196.94
5131-430	1"	10/33	\$270.84
5131-435	1 1/2"	3/19	\$637.47
5131-440	2"	2/19	\$851.91

### 76070G

G CTS x G CTS



Part No.	Size	Carton PCS/WT	Price
	3/4"	15/30	\$196.94
	1"	10/33	\$270.85
	1 1/2"	3/21	\$637.48
	2"	2/21	\$851.91

### 76070Q

Q CTS x Q CTS



Part No.	Size	Carton PCS/WT	Price
5131-426	3/4"	15/32	\$196.94
5131-431	1"	10/35	\$270.85
5131-436	1 1/2"	3/20	\$637.48
5131-441	2"	2/19	\$851.91

### 76071

FNPT x FNPT



Part No.	Size	Carton PCS/WT	Price
5131-422	3/4"	15/23	\$164.18
5131-427	1"	10/24	\$227.42
5131-437	1 1/2"	3/16	\$472.36
5131-442	2"	2/14	\$631.27

- Additional end connection combinations are available – Contact Factory





# Right Open Straight Ball Valves

## 90° ON/OFF TEE OPERATING HEAD

A.Y. McDonald Ball Curb Stops maintain a low turning torque and bubble-tight 300 PSIG water pressure rating due to the PTFE coated brass ball that is supported by two blow-out proof EPDM seals. The end piece joint is sealed with an EPDM O-ring and thread locker. McDonald Ball Curb Stops offer positive shut-off from either direction and are available with a wide variety of end connections.



### 76170

Flare x Flare



Part No.	Size	Carton PCS/WT	Price
5131-402	1 1/4" x 1" x 1 1/4"	5/29	\$324.37
5131-409	1 1/2"	3/25	\$519.75
5131-414	2"	2/28	\$837.08

### 76170-22-55

-22 CTS x -55 IP



Part No.	Size	Carton PCS/WT	Price
5141-408	1"	10/37	\$349.73

### 76170T

T CTS x T CTS



Part No.	Size	Carton PCS/WT	Price
5131-406	3/4"	15/30	\$167.64
5131-399	1"	10/32	\$241.57
5131-411	1 1/2"	3/18	\$548.80
5131-416	2"	2/17	\$763.53

### 76170Q

Q CTS x Q CTS



Part No.	Size	Carton PCS/WT	Price
5131-407	3/4"	15/32	\$167.64
5131-400	1"	10/34	\$241.57
5131-412	1 1/2"	3/19	\$548.80
5131-417	2"	2/19	\$763.53

### 76170G

G CTS x G CTS



Part No.	Size	Carton PCS/WT	Price
	3/4"	15/32	\$167.64
	1"	10/34	\$241.56
	1 1/2"	3/19	\$548.80
	2"	2/19	\$763.52

### 76171

FNPT x FNPT



Part No.	Size	Carton PCS/WT	Price
5131-404	3/4"	15/20	\$134.83
5131-396	1"	10/24	\$198.04
5131-401	1 1/4" x 1" x 1 1/4"	10/27	\$265.48
5131-408	1 1/2"	3/14	\$383.77
5131-413	2"	3/23	\$551.69

### 76170-22

-22 CTS x -22 CTS



Part No.	Size	Carton PCS/WT	Price
5131-405	3/4"	15/30	\$167.64
5131-398	1"	10/31	\$241.57
5131-410	1 1/2"	3/20	\$548.80
5131-415	2"	2/21	\$763.53

- Additional end connection combinations are available – Contact Factory

## Straight Ball Valves

### 90° ON/OFF TEE OPERATING HEAD - MINNEAPOLIS PATTERN BODY

A.Y. McDonald Ball Curb Stops maintain a low turning torque and bubble-tight 300 PSIG water pressure rating due to the PTFE coated brass ball that is supported by two blow-out proof EPDM seals. The end piece joint is sealed with an EPDM O-ring and thread locker. McDonald Ball Curb Stops offer positive shut-off from either direction and are available with a wide variety of end connections.

#### 76104

Flare x Flare



Part No.	Size	Carton PCS/WT	Price
5131-125	3/4"	15/39	\$162.11
5139-170	1" x 3/4" x 3/4"	10/30	\$175.30
5139-124	1" x 3/4" x 1"	10/32	\$187.61
5131-126	1"	10/40	\$218.77
5143-106	1 1/4" x 1" x 1"	10/39	\$292.12
5143-107	1 1/4" x 1" x 1 1/4"	5/27	\$318.96
5142-360	1 1/4"	6/38	\$365.03
5129-115	1 1/2"	3/26	\$514.06
5129-121	2"	2/29	\$831.67

#### 76104-11

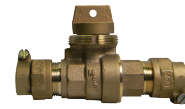
RANGER x RANGER



Part No.	Size	Carton PCS/WT	Price
5196-059	3/4"	12/38	\$221.98
5196-060	3/4" x 10.12"		\$271.07
5196-061	1"	8/28	\$331.77
5196-062	1" x 10.50"		\$388.98
5196-064	1 1/4"	6/41	\$512.62
5196-069	1 1/4" x 11.25"		\$575.70

#### 76104-22

-22 CTS x -22 CTS



Part No.	Size	Carton PCS/WT	Price
5133-157	3/4"	15/33	\$160.20
5139-171	1" x 3/4" x 3/4"	10/25	\$172.72
5133-191	1" x 3/4" x 1"	10/27	\$199.92
5133-168	1"	10/31	\$234.04
5143-108	1 1/4" x 1" x 1"	8/32	\$306.72
5143-109	1 1/4" x 1" x 1 1/4"	8/36	\$318.96
5142-361	1 1/4"	6/32	\$365.03
5133-177	1 1/2"	3/21	\$543.08
5133-186	2"	2/20	\$757.29

#### 76104-11-22

RANGER x -22 CTS



Part No.	Size	Carton PCS/WT	Price
5196-043	3/4"	15/43	\$198.60
5196-074	3/4" x 3/4" x 1"		\$211.12
5196-076	3/4" x 10.12"		\$241.33
5196-044	1"	10/37	\$293.91
5196-081	1" x 10.50"		\$343.01

#### 76104-22-33

-22 CTS x -33 PEP-7



Part No.	Size	Carton PCS/WT	Price
	3/4"	10/25	\$187.57
5133-210	1"	8/31	\$276.76

#### 76104-34

-34 PEP-9 x -34 PEP-9



Part No.	Size	Carton PCS/WT	Price
5123-186	3/4"	10/28	\$199.92
	3/4" x 1" x 1"	10/38	\$248.00
5123-202	1"	8/35	\$297.47
5125-029	1 1/4"	6/40	\$389.86
5125-129	1 1/2" x 2" x 1 1/2"	2/19	\$563.37
5125-047	2"	2/24	\$861.72

#### 76104G

G CTS x G CTS



Part No.	Size	Carton PCS/WT	Price
	3/4"	15/36	\$160.27
	1" x 3/4" x 3/4"	10/26	\$172.72
	1" x 3/4" x 1"	10/30	\$199.92
5192-176	1"	10/37	\$234.04
	1 1/4" x 1" x 1"	10/41	\$306.72
	1 1/4" x 1" x 1 1/4"	10/44	\$318.96
5142-363	1 1/4"	6/34	\$365.03
	1 1/2"	3/20	\$543.08
5192-389	2"	2/19	\$757.29

#### 76104Q

Q CTS x Q CTS



Part No.	Size	Carton PCS/WT	Price
5182-035	3/4"	15/36	\$160.27
5182-193	1" x 3/4" x 3/4"	10/26	\$172.72
5182-192	1" x 3/4" x 1"	10/30	\$199.92
5182-056	1"	10/35	\$234.04
	1 1/4" x 1" x 1"	10/41	\$306.72
5181-224	1 1/4" x 1" x 1 1/4"	8/35	\$318.96
5142-364	1 1/4"	6/32	\$365.03
5182-137	1 1/2"	3/20	\$543.08
5182-081	2"	2/18	\$757.29

#### 76104Q-11

Q CTS x RANGER



Part No.	Size	Carton PCS/WT	Price
5196-051	3/4"	12/34	\$198.60
5196-084	3/4" x 10.12"		\$241.33
5196-052	1"	8/26	\$293.91
5196-077	1" x 10.50"		\$324.26

#### 76104T

T CTS x T CTS



Part No.	Size	Carton PCS/WT	Price
5129-189	3/4"	15/35	\$160.20
5139-172	1" x 3/4" x 3/4"	10/32	\$172.72
5139-125	1" x 3/4" x 1"	10/34	\$199.92
5129-190	1"	10/35	\$234.04
5143-116	1 1/4" x 1" x 1"	6/32	\$306.72
5143-117	1 1/4" x 1" x 1 1/4"	8/37	\$318.96
5142-405	1 1/4"	8/42	\$365.03
5131-111	1 1/2"	3/20	\$543.08
5131-112	2"	2/18	\$757.29

#### 76104-33

-33 PEP-7 x -33 PEP-7



Part No.	Size	Carton PCS/WT	Price
5142-137	3/4"	10/28	\$199.92
5132-042	3/4" x 1" x 1"	10/38	\$248.00
5143-110	1"	8/35	\$297.47
5142-362	1 1/4"	6/40	\$431.52
5132-078	1 1/2" x 2" x 1 1/2"	2/26	\$563.37
5132-079	2"	2/24	\$861.72

#### 76104-22-44

-22 CTS x -44 PVC



Part No.	Size	Carton PCS/WT	Price
5133-031	3/4"	10/25	\$187.57
5131-008	1"	10/38	\$276.76

#### 76104-33-44

-33 PEP-7 x -44 PVC



Part No.	Size	Carton PCS/WT	Price
	3/4"	10/28	\$199.92
5143-001	1"	8/42	\$297.47



# Straight Ball Valves

## 90° ON/OFF TEE OPERATING HEAD - MINNEAPOLIS PATTERN BODY

A.Y. McDonald Ball Curb Stops maintain a low turning torque and bubble-tight 300 PSIG water pressure rating due to the PTFE coated brass ball that is supported by two blow-out proof EPDM seals. The end piece joint is sealed with an EPDM O-ring and thread locker. McDonald Ball Curb Stops offer positive shut-off from either direction and are available with a wide variety of end connections.

### 76104-3G

-3G PEP-7 x -3G PEP-7



Part No.	Size	Carton PCS/WT	Price
	3/4"	10/31	\$199.92
	1"	8/35	\$297.47

### 76104T-11

T CTS x RANGER



Part No.	Size	Carton PCS/WT	Price
5196-055	3/4"	15/38	\$198.60
5196-085	3/4" x 10.12"	8/26	\$227.85
5196-056	1"	10/35	\$293.91
5196-086	1" x 10.50	8/36	\$324.26

### 76104-3Q

-3Q PEP-7 x -3Q PEP-7



Part No.	Size	Carton PCS/WT	Price
5182-256	3/4"	10/31	\$199.92
5182-229	1"	8/35	\$297.47

### 76104-44

-44 PVC x -44 PVC



Part No.	Size	Carton PCS/WT	Price
5142-186	3/4"	10/28	\$199.92
5132-043	3/4" x 1" x 1"	8/40	\$248.00
5143-111	1"	8/36	\$297.47
5150-133	1 1/4"	3/19	\$464.68
5132-210	1 1/2"	3/23	\$559.78
5132-212	2"	2/26	\$831.67

### 76104-55

-55 IP x -55 IP



Part No.	Size	Carton PCS/WT	Price
5146-154	3/4"	10/28	\$196.30
5132-044	3/4" x 1" x 1"	8/40	\$261.99
5146-155	1"	8/37	\$294.59
	1 1/2"	3/23	\$559.76
5132-268	2"	2/24	\$790.92

### 76104G-11

G CTS x RANGER



Part No.	Size	Carton PCS/WT	Price
5196-047	3/4"	15/38	\$198.60
5196-082	3/4" x 10.12"	8/26	\$227.85
5196-048	1"	10/35	\$293.91
5196-083	1" x 10.50	8/36	\$324.26

## Repair Straight Ball Valves

### 90° ON/OFF TEE OPERATING HEAD - MINNEAPOLIS PATTERN BODY

A.Y. McDonald Repair Ball Curb Stops supply additional lay length to allow them to make up the difference between a longer curb stop or longer space if a curb stop is cut out of an existing service line while maintaining a low turning torque and bubble-tight 300 PSIG water pressure rating due to the PTFE coated brass ball that is supported by two blow-out proof EPDM seals. The end piece joint is sealed with an EPDM O-ring and thread locker. McDonald Ball Curb Stops offer positive shut-off from either direction and are available with a wide variety of end connections.

#### 76104REP-22

-22 CTS x REP -22 CTS



Part No.	Size	Carton PCS/WT	Price
5142-470	3/4" x 10.12"	8/25	\$203.00
5142-471	1" x 10.50"	8/35	\$283.11

#### 76104REPT

T CTS x REP T CTS



Part No.	Size	Carton PCS/WT	Price
	3/4" x 10.12"	8/25	\$203.00
	1" x 10.50"	8/35	\$283.11

#### 76104REPQ-11

Q CTS x REP RANGER



Part No.	Size	Carton PCS/WT	Price
5196-053	3/4" x 10.12"	8/23	\$241.30
5196-054	1" x 10.50"	8/44	\$343.01

#### 76104REPG

G CTS x REP G CTS



Part No.	Size	Carton PCS/WT	Price
	3/4" x 10.12"	8/25	\$202.98
	1" x 10.50"	8/35	\$283.11

#### 76104REP-11-22

RANGER x REP -22 CTS



Part No.	Size	Carton PCS/WT	Price
5196-045	3/4" x 10.12"	8/23	\$241.30
5196-046	1" x 10.50"	8/44	\$343.01

#### 76104REPQ

Q CTS x REP Q CTS



Part No.	Size	Carton PCS/WT	Price
5183-318	3/4" x 10.12"	8/25	\$203.00
5183-319	1" x 10.50"	8/37	\$283.11
5125-175	1 1/4" x 1" x 1 1/4" x 10.75"	6/36	\$376.15
5183-416	1 1/2" x 11"	3/21	\$631.97
5183-417	2" x 11"	2/16	\$886.79

#### 76104REPC-22

Flare x REP -22 CTS



Part No.	Size	Carton PCS/WT	Price
5146-334	3/4" x 10.50"	8/25	\$224.52

#### 76104REPCG

Flare x REP G CTS



Part No.	Size	Carton PCS/WT	Price
	3/4" x 10.50"	8/25	\$224.52

#### 76104REPCQ

Flare x REP Q CTS



Part No.	Size	Carton PCS/WT	Price
5141-417	3/4" x 10.50"	8/27	\$224.52

#### 76104REPCT

Flare x REP T CTS



Part No.	Size	Carton PCS/WT	Price
	3/4" x 10.50"	8/25	\$224.52

#### 76106REPQ

REP Q CTS x FNP1



Part No.	Size	Carton PCS/WT	Price
5150-150	3/4" x 9.25	10/28	\$162.09
5149-497	1" x 10.25	8/34	\$195.54

- Additional end connection combinations are available – Contact Factory



## Straight Ball Valves

### 90° ON/OFF TEE OPERATING HEAD - MINNEAPOLIS PATTERN BODY

A.Y. McDonald Ball Curb Stops maintain a low turning torque and bubble-tight 300 PSIG water pressure rating due to the PTFE coated brass ball that is supported by two blow-out proof EPDM seals. The end piece joint is sealed with an EPDM O-ring and thread locker. McDonald Ball Curb Stops offer positive shut-off from either direction and are available with a wide variety of end connections.

#### 76105

FNPT x FNPT



Part No.	Size	Carton PCS/WT	Price
5129-191	3/4"	15/23	\$127.51
5129-192	1"	10/25	\$190.61
5149-335	1 1/4" x 1" x 1 1/4"	10/31	\$260.11
5142-366	1 1/4"	8/31	\$304.23
5129-116	1 1/2"	3/14	\$378.18
5129-122	2"	3/20	\$546.00

#### 76106Q

Q CTS x FNPT



Part No.	Size	Carton PCS/WT	Price
5149-341	3/4"	15/29	\$142.23
5149-334	1"	10/30	\$211.27
	1" x 1" x 1 1/4"	10/50	\$310.40
5149-367	1 1/4" x 1" x 1"	10/34	\$273.86
	1 1/4"	8/36	\$334.69
5149-382	1 1/2"	3/17	\$446.23
5146-306	2"	3/24	\$614.45

#### 76106-3G

-3G PEP-7 x FNPT



Part No.	Size	Carton PCS/WT	Price
	3/4"	10/24	\$164.61
	1"	10/33	\$228.14

#### 76106

Flare x FNPT



Part No.	Size	Carton PCS/WT	Price
5129-193	3/4"	15/31	\$148.20
5129-194	1"	10/32	\$203.73
5143-121	1 1/4" x 1" x 1"	8/32	\$273.86
5142-367	1 1/4"	6/31	\$334.69
5129-117	1 1/2"	3/23	\$446.23
5129-123	2"	3/33	\$647.95

#### 76106T

T CTS x FNPT



Part No.	Size	Carton PCS/WT	Price
5129-199	3/4"	15/36	\$142.23
5131-122	1"	10/29	\$211.27
5132-402	1" x 1" x 1 1/4"	8/33	\$310.40
5143-125	1 1/4" x 1" x 1"	10/32	\$273.86
	1 1/4"	8/36	\$334.69
5131-113	1 1/2"	5/28	\$446.23
5131-120	2"	3/27	\$614.45

#### 76106-3Q

-3Q PEP-7 x FNPT



Part No.	Size	Carton PCS/WT	Price
5182-261	3/4"	10/24	\$164.62
5182-243	1"	10/33	\$228.14

#### 76106-22

-22 CTS x FNPT



Part No.	Size	Carton PCS/WT	Price
5133-158	3/4"	15/29	\$142.23
5133-169	1"	10/28	\$211.27
5133-033	1" x 1" x 1 1/4"	8/40	\$310.40
5142-368	1 1/4"	8/36	\$334.69
5143-122	1 1/4" x 1" x 1"	10/32	\$273.86
5133-178	1 1/2"	3/19	\$446.23
5133-187	2"	3/26	\$614.45

#### 76106-33

-33 PEP-7 x FNPT



Part No.	Size	Carton PCS/WT	Price
5142-138	3/4"	10/22	\$164.62
5132-033	3/4" x 3/4" x 1"	10/35	\$181.15
5143-123	1"	10/33	\$228.14
5142-369	1 1/4"	6/31	\$372.04
5132-076	1 1/2"	3/20	\$484.37
5132-077	2"	3/30	\$733.12

#### 76106-44

-44 PVC x FNPT



Part No.	Size	Carton PCS/WT	Price
5142-187	3/4"	10/22	\$164.62
5132-034	3/4" x 3/4" x 1"	10/35	\$181.15
5143-124	1"	10/32	\$228.14
5150-134	1 1/4"	3/16	\$371.95
5131-221	1 1/2"	3/19	\$468.84
5131-223	2"	3/30	\$647.95

#### 76106G

G CTS x FNPT



Part No.	Size	Carton PCS/WT	Price
	3/4"	15/29	\$142.22
5192-126	1"	10/34	\$211.27
	1" x 1" x 1 1/4"	10/50	\$310.40
	1 1/4" x 1" x 1"	10/32	\$273.85
	1 1/4"	8/36	\$334.69
	1 1/2"	3/19	\$446.22
	2"	3/26	\$614.43

#### 76106-34

-34 PEP-9 x FNPT



Part No.	Size	Carton PCS/WT	Price
	3/4"	10/22	\$164.62
	3/4" x 3/4" x 1"	15/53	\$181.15
5123-216	1"	10/33	\$228.14
	1 1/4"	8/41	\$372.04
	1 1/2"	3/20	\$484.37
	2"	3/30	\$733.12

#### 76106-55

-55 IP x FNPT



Part No.	Size	Carton PCS/WT	Price
5146-157	3/4"	10/21	\$162.09
5132-035	3/4" x 3/4" x 1"	15/32	\$195.54
5146-158	1"	10/34	\$226.04
	1 1/2"	3/19	\$468.82
5132-269	2"	3/34	\$697.85

- Additional end connection combinations are available – Contact Factory



## Straight Ball Valves

### 90° ON/OFF TEE OPERATING HEAD - MINNEAPOLIS PATTERN BODY

A.Y. McDonald Ball Curb Stops maintain a low turning torque and bubble-tight 300 PSIG water pressure rating due to the PTFE coated brass ball that is supported by two blow-out proof EPDM seals. The end piece joint is sealed with an EPDM O-ring and thread locker. McDonald Ball Curb Stops offer positive shut-off from either direction and are available with a wide variety of end connections.

#### 76108-22 -22 CTS x Flare



Part No.	Size	Carton PCS/WT	Price
5131-085	3/4"	15/37	\$174.59
5131-075	1"	10/37	\$226.61
5133-325	1 1/2"	3/25	\$518.83
5133-326	2"	2/24	\$721.16

#### 76108-33 -33 PEP-7 x Flare



Part No.	Size	Carton PCS/WT	Price
5146-311	3/4"	15/37	\$186.79
5146-312	1"	10/37	\$242.46
5128-059	1 1/2"	3/29	\$552.66
	2"	2/24	\$771.65

#### 76109 FNPT x MNPT



Part No.	Size	Carton PCS/WT	Price
5132-054	3/4"	15/30	\$186.79
5132-055	1"	10/25	\$242.46
5132-056	1 1/2"	3/17	\$552.66
5132-057	2"	3/22	\$771.65

#### 76108Q Q CTS x Flare



Part No.	Size	Carton PCS/WT	Price
	3/4"	15/37	\$174.56
5183-482	1"	10/37	\$226.60
5183-483	1 1/2"	3/25	\$518.82
	2"	2/24	\$721.16

#### 76108-44 -44 CTS x Flare



Part No.	Size	Carton PCS/WT	Price
	3/4"	15/37	\$186.79
	1"	10/37	\$242.46
	1 1/2"	3/29	\$552.66
	2"	2/24	\$771.65

#### 76108T T CTS x Flare



Part No.	Size	Carton PCS/WT	Price
	3/4"	15/37	\$174.56
	1"	10/37	\$226.60
	1 1/2"	3/25	\$518.82
	2"	2/24	\$721.16

#### 76108-55 -55 IP x Flare



Part No.	Size	Carton PCS/WT	Price
	3/4"	15/37	\$186.79
	1"	10/37	\$242.46
	1 1/2"	3/29	\$552.66
	2"	2/24	\$771.65

#### 76108G G CTS x Flare



Part No.	Size	Carton PCS/WT	Price
	3/4"	15/37	\$174.56
	1"	10/37	\$226.60
	1 1/2"	3/25	\$518.82
	2"	2/24	\$721.16

- Additional end connection combinations are available – Contact Factory





## Full Port Angle Ball Valves

### 90° ON/OFF TEE OPERATING HEAD WITH LOCKWING

A.Y. McDonald Ball Curb Stops maintain a low turning torque and bubble-tight 300 PSIG water pressure rating due to the PTFE coated brass ball that is supported by two blow-out proof EPDM seals. The end piece joint is sealed with an EPDM O-ring and thread locker. McDonald Ball Curb Stops offer positive shut-off from either direction and are available with a wide variety of end connections.

#### 74600B

Flare x Flare



Part No.	Size	Carton PCS/WT	Price
5132-378	3/4"	10/23	\$161.18
5133-032	1"	10/43	\$242.05

#### 74600B-22

-22 CTS x -22 CTS



Part No.	Size	Carton PCS/WT	Price
5133-057	3/4"	10/20	\$183.65
5133-058	1"	10/32	\$255.83

#### 74600BT

T CTS x T CTS



Part No.	Size	Carton PCS/WT	Price
5133-063	3/4"	10/21	\$183.65
5132-379	1"	10/37	\$255.83

#### 74604BF

FNPT x FNPT



Part No.	Size	Carton PCS/WT	Price
5133-027	3/4"	15/22	\$140.30
5139-041	1"	10/25	\$208.17
5149-426	2"	4/32	\$563.43

#### 74606BG

G CTS x FNPT



Part No.	Size	Carton PCS/WT	Price
5183-433	3/4"	10/18	\$155.76
5192-303	1"	10/29	\$230.64
5149-425	2"	2/20	\$624.06

#### 74606B-44

-44 PVC x FNPT



Part No.	Size	Carton PCS/WT	Price
5132-287	2"	4/40	\$791.88

#### 74606B

Flare x FNPT



Part No.	Size	Carton PCS/WT	Price
5133-021	3/4"	10/17	\$150.94
5133-019	1"	10/30	\$224.92

#### 74606BQ

Q CTS x FNPT



Part No.	Size	Carton PCS/WT	Price
5133-472	3/4"	10/16	\$155.76
5133-473	1"	10/29	\$230.64
5149-424	2"	2/17	\$624.06

#### 74606BP-22

-22 CTS x MNPT



Part No.	Size	Carton PCS/WT	Price
5133-419	3/4"	10/17	\$160.09
5146-315	1"	10/17	\$234.98

#### 74606B-22

-22 CTS x FNPT



Part No.	Size	Carton PCS/WT	Price
5133-035	3/4"	10/17	\$155.76
5133-020	1"	10/27	\$230.64
5133-082	1 1/2" x 1" x 1"	8/32	\$342.47
5149-422	2"	2/18	\$624.06

#### 74606BT

T CTS x FNPT



Part No.	Size	Carton PCS/WT	Price
5133-024	3/4"	10/16	\$155.76
5133-023	1"	10/24	\$230.64
5149-423	2"	2/17	\$624.06

#### 74608B

FNPT x Flare



Part No.	Size	Carton PCS/WT	Price
5133-056	3/4"	10/19	\$150.94
5132-380	1"	10/37	\$223.96

#### 74608B-22

FNPT x -22 CTS



Part No.	Size	Carton PCS/WT	Price
5133-282	3/4"	15/26	\$145.66
5132-382	1"	10/30	\$236.69

#### 74608BT

FNPT x T CTS



Part No.	Size	Carton PCS/WT	Price
5132-383	3/4"	15/29	\$145.66
5133-054	1"	10/31	\$236.69

- Additional end connection combinations are available – Contact Factory



## Angle Ball Valves

### 90° ON/OFF TEE OPERATING HEAD WITH LOCKWING

A.Y. McDonald Ball Curb Stops maintain a low turning torque and bubble-tight 300 PSIG water pressure rating due to the PTFE coated brass ball that is supported by two blow-out proof EPDM seals. The end piece joint is sealed with an EPDM O-ring and thread locker. McDonald Ball Curb Stops offer positive shut-off from either direction and are available with a wide variety of end connections.

### FULL PORT ANGLE BALL VALVES

#### 74640B

Flare x Flare



Part No.	Size	Carton PCS/WT	Price
5139-090	3/4"	20/42	\$96.51
5132-373	1" x 3/4"	20/43	\$190.22
5132-374	1"	10/30	\$196.24

#### 74640BG

G CTS x G CTS



Part No.	Size	Carton PCS/WT	Price
	3/4"	20/35	\$122.12
	1"	10/26	\$208.41

#### 74640BT

T CTS x T CTS



Part No.	Size	Carton PCS/WT	Price
5149-063	3/4"	20/42	\$122.14
5132-366	1" x 3/4"	20/43	\$198.04
5132-369	1"	10/27	\$208.42

#### 74640B-22

-22 CTS x -22 CTS



Part No.	Size	Carton PCS/WT	Price
5149-082	3/4"	20/35	\$122.14
5132-365	1" x 3/4"	20/42	\$198.04
5132-381	1"	10/24	\$208.42

#### 74640BQ

Q CTS x Q CTS



Part No.	Size	Carton PCS/WT	Price
5183-172	3/4"	20/39	\$122.14
5132-469	1"	10/28	\$208.42

- Additional end connection combinations are available – Contact Factory

### STANDARD PORT ANGLE BALL VALVES

#### 74644BF

FNPT x FNPT



Part No.	Size	Carton PCS/WT	Price
5149-064	3/4"	20/25	\$78.88
5149-297	1"	10/18	\$152.94
5149-321	1 1/4"	10/33	\$243.00

#### 74646BQ

Q CTS x FNPT



Part No.	Size	Carton PCS/WT	Price
5142-478	3/4"	20/32	\$94.30
5146-388	1 x 3/4"	20/35	\$123.70
5141-486	1"	10/20	\$162.31

#### 74646B-55

-55 IP x FNPT



Part No.	Size	Carton PCS/WT	Price
5132-372	3/4"	20/33	\$162.31

#### 74646B

Flare x FNPT



Part No.	Size	Carton PCS/WT	Price
5139-050	3/4"	20/33	\$89.38
5142-479	3/4" x 1/2"	20/32	\$89.38
5139-309	1" x 3/4"	20/39	\$118.75
5132-387	1"	10/23	\$175.83

#### 74646BT

T CTS x FNPT



Part No.	Size	Carton PCS/WT	Price
5139-043	3/4"	20/31	\$94.30
5132-388	1" x 3/4"	20/35	\$123.70
5132-375	1"	10/22	\$162.31

#### 74648B

FNPT x Flare



Part No.	Size	Carton PCS/WT	Price
5132-377	3/4"	20/39	\$82.67
5149-308	1"	10/33	\$169.71

#### 74646B-22

-22 CTS x FNPT



Part No.	Size	Carton PCS/WT	Price
5139-047	3/4"	20/30	\$94.30
5139-053	1" x 3/4"	20/35	\$123.70
5132-389	1"	10/20	\$162.31

#### 74646B-33

-33 PEP-7 x FNPT



Part No.	Size	Carton PCS/WT	Price
5132-370	3/4"	20/36	\$162.31

#### 74648B-22

FNPT x -22 CTS



Part No.	Size	Carton PCS/WT	Price
5139-058	3/4"	20/32	\$94.30
5132-368	1"	10/23	\$217.21

#### 74646BG

G CTS x FNPT



Part No.	Size	Carton PCS/WT	Price
5192-418	3/4"	20/34	\$94.30
5192-380	1"	10/20	\$162.31

#### 74646B-44

-44 PVC x FNPT



Part No.	Size	Carton PCS/WT	Price
5132-371	3/4"	20/35	\$162.31

#### 74648BT

FNPT x T CTS



Part No.	Size	Carton PCS/WT	Price
5132-367	3/4"	20/36	\$94.30
5132-376	1"	10/24	\$217.21



## Tapered Plug Valves

### 180° ON/OFF TEE OPERATING HEAD

A.Y. McDonald Tapered Plug Curb Stops maintain a low turning torque and bubble-tight 100 PSIG water pressure rating due to the precision machined taper and grease seal that is topped with an O-ring to prevent leakage to atmosphere. The one piece body design provides additional strength. McDonald Tapered Plug Curb Stops offer positive shut-off from either direction and are available with a wide variety of end connections.

#### 74604F

FNPT x FNPT



Part No.	Size	Carton PCS/WT	Price
5133-330	3/4"	25/29	\$60.35

#### 74606G

G CTS x FNPT



Part No.	Size	Carton PCS/WT	Price
5192-293	3/4"	25/23	\$81.22
	1"	10/23	\$136.94

#### 79711W

FNPT x FNPT x FNPT - Square Head



Part No.	Size	Carton PCS/WT	Price
5213-003	3/4"	12/20	\$144.97

#### 74606

Flare x FNPT



Part No.	Size	Carton PCS/WT	Price
5133-331	3/4"	25/38	\$74.28
5124-175	1"	16/40	\$118.33

#### 74606Q

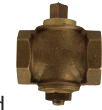
Q CTS x FNPT



Part No.	Size	Carton PCS/WT	Price
5182-357	3/4"	25/33	\$81.22
5183-347	1"	10/23	\$136.95

#### 79802W

FNPT x FNPT - Square Head



Part No.	Size	Carton PCS/WT	Price
5217-148	3/4"	40/42	\$89.11

#### 74606-22

-22 CTS x FNPT



Part No.	Size	Carton PCS/WT	Price
5123-148	3/4"	25/33	\$81.22
5133-276	1"	10/23	\$136.95

#### 74606T

T CTS x FNPT



Part No.	Size	Carton PCS/WT	Price
5123-149	3/4"	25/33	\$81.22
	1"	10/23	\$136.94

- All plug valves are directional and operate 180° open/close.
- Additional end connection combinations are available – Contact Factory

## Standard Port Angle Ball Meter Valves

300 PSI - LOCKWING | FOR 5/8", 5/8" x 3/4", 3/4", OR 1" METERS

Meter swivel nuts are less saddle unless otherwise indicated have internal straight threads per AWWA C700, and include hole for wire seal unless otherwise indicated. EPDM rubber gaskets are supplied and are standard. Fiber or leather gaskets sold separately.

- 3/4" meter swivel fits 5/8" x 3/4" or 3/4" meters.
- Order Meter Valves by Model Number & Valve Size
- Insert stiffeners are required on all flexible plastic connections. (see page 10 for stiffeners)
- Angle ball valve operating head rotates 90° open to close. (360° available, see page 9 for pricing)
- Angle meter ball valves are non-directional
- When 5/8" size is displayed by itself = 3/4" connection x 5/8" port x 5/8" meter.
- When 3/4" size is displayed by itself = 3/4" connection x 5/8" port x 5/8" x 3/4" or 3/4" meter.
- When 1" size is displayed by itself = 1" connection x 3/4" port x 1" meter.
- When two sizes are displayed - first size is connection and second size is meter size.

#### 74642B

Flare x Meter Swivel



Part No.	Size	Carton PCS/WT	Price
5143-195	5/8"	20/36	\$92.85
5139-173	3/4"	20/37	\$96.66
5133-238	1"	10/26	\$186.47
5139-004	1" x 5/8"	20/42	\$121.83
5139-174	1" x 3/4"	20/44	\$125.17

#### 74642B-22

-22 CTS x Meter Swivel



Part No.	Size	Carton PCS/WT	Price
5143-196	5/8"	20/33	\$94.57
5139-177	3/4"	20/35	\$98.44
5150-182	3/4" x 4.13"	10/35	\$144.43
5149-008	1"	10/23	\$199.98
5139-001	1" x 5/8"	20/38	\$123.12
5139-178	1" x 3/4"	20/39	\$126.97
5150-186	1" x 4.63"	10/39	\$240.69
5149-013	1 1/4" x 1"	10/29	\$254.00

#### 74642BREP-22

-22 CTS x Meter



Part No.	Size	Carton PCS/WT	Price
5150-182	3/4" x 4.13	2/10	\$144.43
5150-186	1" x 4.63	3/10	\$240.69



## Standard Port Angle Ball Meter Valves

300 PSI - LOCKWING | FOR 5/8", 5/8" x 3/4", 3/4", OR 1" METERS

### 74642B-33

-33 PEP-7 x Meter Swivel



Part No.	Size	Carton PCS/WT	Price
5143-197	5/8"	20/39	\$121.25
5139-179	3/4"	20/38	\$120.05
5149-009	1"	10/29	\$222.77

### 74642B-34

-34 PEP-9 x Meter Swivel



Part No.	Size	Carton PCS/WT	Price
	5/8"	20/39	\$121.24
5123-197	3/4"	20/42	\$120.05
5123-222	1"	10/29	\$222.77

### 74642BQ

Q CTS x Meter Swivel



Part No.	Size	Carton PCS/WT	Price
5139-350	5/8"	20/35	\$94.57
5182-037	3/4"	20/36	\$98.44
5182-060	1"	10/24	\$199.98
5182-183	1" x 5/8"	20/40	\$123.12
5182-215	1" x 3/4"	20/40	\$126.97
5182-314	1 1/4" x 1"	10/29	\$254.00

### 74642BREPQ

Q CTS x Meter



Part No.	Size	Carton PCS/WT	Price
5146-376	5/8" x 4.13	2/10	\$140.54
5150-181	3/4" x 4.13	2/10	\$144.43
5150-185	1" x 4.63	2/10	\$240.69

### 74642BT

T CTS x Meter Swivel



Part No.	Size	Carton PCS/WT	Price
5143-199	5/8"	20/34	\$94.57
5139-175	3/4"	20/35	\$98.44
5149-007	1"	10/24	\$199.98
5139-005	1" x 5/8"	20/39	\$123.12
5139-176	1" x 3/4"	20/41	\$126.97
5149-012	1 1/4" x 1"	10/28	\$254.00

### 74642BREPT

T CTS x Meter



Part No.	Size	Carton PCS/WT	Price
5150-183	3/4" x 4.13	2/10	\$144.43
5150-187	1" x 4.63	3/10	\$240.69

### 74642BG

G CTS x Meter Swivel



Part No.	Size	Carton PCS/WT	Price
	5/8"	20/35	\$94.57
5192-034	3/4"	20/37	\$98.44
5192-037	1"	10/25	\$199.98
	1" x 5/8"	20/40	\$123.12
5192-444	1" x 3/4"	20/43	\$126.97
	1 1/4" x 1"	10/29	\$253.99

### 74642BREPQ

G CTS x Meter



Part No.	Size	Carton PCS/WT	Price
5150-184	3/4" x 4.13	2/10	\$144.43
5150-188	1" x 4.63	3/10	\$240.69

### 74642B-3G

-3G PEP-7 x Meter Swivel



Part No.	Size	Carton PCS/WT	Price
5192-366	3/4"	20/43	\$120.05
	1"	10/29	\$222.77

### 74642B-3Q

-3Q PEP-7 x Meter Swivel



Part No.	Size	Carton PCS/WT	Price
5182-264	3/4"	20/42	\$120.05
5182-303	1"	10/29	\$222.77

### 74642B-44

-44 PVC x Meter Swivel



Part No.	Size	Carton PCS/WT	Price
5143-198	5/8"	20/42	\$121.25
5139-190	3/4"	20/39	\$120.05
5149-010	1"	10/29	\$222.77

### 74642B-55

-55 IP x Meter Swivel



Part No.	Size	Carton PCS/WT	Price
5146-163	5/8"	20/42	\$122.74
5146-122	3/4"	20/40	\$121.95
5149-011	1"	10/29	\$222.77

### 74644B

FNPT x Meter Swivel with Saddle



Part No.	Size	Carton PCS/WT	Price
5144-100	5/8"	20/29	\$79.80
5139-181	3/4"	20/31	\$83.82
5149-185	1"	10/20	\$168.10

### 7E4644B

FNPT x Telescoping Meter Swivel with Saddle



Part No.	Size	Carton PCS/WT	Price
5125-123	3/4"		\$139.61





\*Oval Flange

## Full Port Angle Ball Meter Valves

300 PSI - LOCKWING | FOR 5/8", 5/8" x 3/4", 3/4", 1", 1 1/2" OR 2" METERS

Meter swivel nuts are less saddle unless otherwise indicated have internal straight threads per AWWA C700, and include hole for wire seal unless otherwise indicated. EPDM rubber gaskets are supplied and are standard.

- Insert stiffeners are required on all flexible plastic connections, see page 10 for stiffeners.
- Angle ball valve operating head rotates 90° open to close. (360° available, see page 9 for pricing)
- Angle meter ball valves are non-directional
- When one size is displayed - Inlet, Port Size and Meter Size are the same size (3/4" meter swivel fits 5/8" x 3/4" or 3/4" meters)
- 2" Oval flange is drilled for both 1 1/2" & 2" meters.
- All angle ball valves have a lockwing for locking in the closed position.
- Brass and stainless steel handles are available, contact factory.
- Double Lockwing available, contact factory.
- For Telescoping Meter Flange option, add \$55.78 to list price, add "E" to the model number, i.e. 74604B 2" becomes 7E4604B 2".
- To add saddle feature to standard meter swivel nut add "S" to model number, i.e. 74602B becomes 7E4602BS.



### 74604B

FNPT x Meter Swivel with Saddle/Oval Flange\*

Part No.	Size	Carton PCS/WT	Price
5133-137	3/4"	10/18	\$152.94
5133-307	3/4" x 3/4" x 5/8"	10/17	\$150.94
5133-131	1"	10/30	\$230.46
5133-308	1" x 3/4" x 5/8"	10/19	\$157.29
5133-017	1" x 3/4" x 3/4"	10/19	\$159.11
5133-143	1 1/2"*	4/28	\$500.09
5133-142	2"*	4/36	\$590.13



### 7E4604B

FNPT x Telescoping Oval Flange\*

Part No.	Size	Carton PCS/WT	Price
5142-488	1 1/2"*	4/28	\$555.87
5149-494	2"*	4/38	\$645.92



### 74602B

Flare x Meter Swivel/Oval Flange\*

Part No.	Size	Carton PCS/WT	Price
5133-134	3/4"	10/20	\$163.44
5133-309	3/4" x 3/4" x 5/8"	10/20	\$161.18
5133-128	1"	10/35	\$243.94
5133-310	1" x 3/4" x 5/8"	10/23	\$175.30
5133-237	1" x 3/4" x 3/4"	10/25	\$177.27
5149-065	1 1/2"*	2/17	\$556.21
5149-220	2"*	2/25	\$709.24



### 74602B-34

-34 PEP-9 x Meter Swivel

Part No.	Size	Carton PCS/WT	Price
5123-182	3/4"	10/22	\$190.81
5123-210	1" x 3/4" x 3/4"	10/28	\$207.95
5123-212	1"	10/38	\$274.78
5146-373	1 1/2"	2/17	\$427.50



### 74602B-22

-22 CTS x Meter Swivel/Oval Flange\*

Part No.	Size	Carton PCS/WT	Price
5133-151	3/4"	10/19	\$168.10
5133-311	3/4" x 3/4" x 5/8"	10/19	\$166.26
5133-162	1"	10/31	\$252.27
5133-312	1" x 3/4" x 5/8"	10/22	\$189.00
5149-059	1" x 3/4" x 3/4"	10/22	\$190.81
5133-015	1 1/4" x 3/4" x 3/4"	10/28	\$236.78
5140-070	1 1/4" x 1" x 1"	10/38	\$328.98
5149-067	1 1/2"*	2/16	\$581.99
5149-224	2"*	2/21	\$738.67



### 7E4602B-22

-22 CTS x Telescoping Oval Flange\*

Part No.	Size	Carton PCS/WT	Price
	1 1/2"*	4/30	\$637.77
5125-053	2"*	2/20	\$794.46



### 74602BG

G CTS x Meter Swivel/Oval Flange\*

Part No.	Size	Carton PCS/WT	Price
5192-110	3/4"	10/20	\$168.10
5192-340	3/4" x 3/4" x 5/8"	10/20	\$166.26
5192-144	1"	10/33	\$252.27
	1" x 3/4" x 5/8"	10/23	\$188.99
5192-197	1" x 3/4" x 3/4"	10/24	\$190.81
	1 1/4" x 1" x 1"	10/37	\$328.98
5192-079	1 1/2"*	2/15	\$581.99
5192-047	2"*	2/20	\$738.67



### 7E4602BG

G CTS x Telescoping Oval Flange\*

Part No.	Size	Carton PCS/WT	Price
	1 1/2"*	4/30	\$637.77
5125-063	2"*	2/19	\$794.46

### 74602BQ

Q CTS x Meter Swivel/Oval Flange\*

Part No.	Size	Carton PCS/WT	Price
5182-038	3/4"	10/19	\$168.10
5182-341	3/4" x 3/4" x 5/8"	10/20	\$166.26
5182-058	1"	10/32	\$252.27
5182-342	1" x 3/4" x 5/8"	10/23	\$189.00
5182-059	1" x 3/4" x 3/4"	10/23	\$190.81
5182-176	1 1/4" x 1" x 1"	10/37	\$328.98
5182-102	1 1/2"*	2/14	\$581.99
5182-091	2"*	2/19	\$738.67



### 7E4602BQ

Q CTS x Telescoping Oval Flange\*

Part No.	Size	Carton PCS/WT	Price
5142-489	1 1/2"*	4/30	\$637.77
5125-052	2"*	2/19	\$794.46



### 74602BT

T CTS x Meter Swivel/Oval Flange\*

Part No.	Size	Carton PCS/WT	Price
5133-135	3/4"	10/20	\$168.10
5133-313	3/4" x 3/4" x 5/8"	10/19	\$166.26
5133-129	1"	10/33	\$252.27
5133-314	1" x 3/4" x 5/8"	10/22	\$189.00
5149-061	1" x 3/4" x 3/4"	10/22	\$190.81
5133-016	1 1/4" x 3/4" x 3/4"	10/28	\$236.78
	1 1/4" x 1" x 1"	2/14	\$328.98
5149-066	1 1/2"*	2/19	\$581.99
5149-222	2"*	2/19	\$738.67



### 74602B-33

-33 PEP-7 x Meter Swivel

Part No.	Size	Carton PCS/WT	Price
5149-317	3/4"	10/22	\$190.81
5133-012	1" x 3/4" x 3/4"	10/28	\$207.95
5132-281	1"	10/38	\$274.78
5150-194	2"	2/22	\$885.29





## Full Port Angle Ball Meter Valves

### 74602B-3G

-3G PEP-7 x Meter Swivel



Part No.	Size	Carton PCS/WT	Price
	3/4"	10/23	\$190.81
	3/4" x 1" x 1"	10/34	\$232.80
5192-375	1"	10/39	\$274.78
	1" x 3/4" x 3/4"	10/28	\$207.94

### 74602B-3Q

-3Q PEP-7 x Meter Swivel



Part No.	Size	Carton PCS/WT	Price
5183-114	3/4"	10/23	\$190.81
5149-322	3/4" x 1" x 1"	10/34	\$232.81
5182-232	1"	10/39	\$274.78
5182-301	1" x 3/4" x 3/4"	10/28	\$207.95

### 74602B-44

-44 PVC x Meter Swivel/Oval Flange\*



Part No.	Size	Carton PCS/WT	Price
5149-316	3/4"	10/23	\$190.81
5133-364	1"	10/38	\$274.78
5133-013	1" x 3/4" x 3/4"	10/28	\$207.95
5133-044	1 1/2"*	2/18	\$427.50
5149-226	2"*	2/22	\$885.29

### 74602B-55

-55 IP x Meter Swivel /Oval Flange\*



Part No.	Size	Carton PCS/WT	Price
5133-014	1" x 3/4" x 3/4"	10/27	\$230.87
5133-342	1 1/2"*	2/17	\$402.68
5133-343	2"*	2/25	\$562.21

## Confined Space Oval Flanged Ball Valves

300 PSI - LOCKWING | FOR 1 1/2" OR 2" METERS

Stainless steel meter support brackets furnished with all oval flanged meter valves. EPDM rubber gaskets are supplied and are standard. Oval meter flanges are faced and drilled per AWWA C700.

- Insert stiffeners are required on all flexible plastic connections, see page 10 for stiffeners.
- Angle ball valve operating head rotates 90° open to close. (360° available, see page 9 for pricing)
- Angle meter ball valves are non-directional
- 2" oval flanged meter valves have slotted bolt holes to accept 1 1/2" or 2" meters.
- Bolt hole diameters on 1 1/2" oval flange = .72, 2" oval flange = .81.
- All angle ball valves have a lockwing for locking in the closed position.
- 2" ball valves have 1 1/2" port.



7E4604B



- For Telescoping Meter Flange option, add \$55.78 to list price, add "E" to the model number, i.e. 74604B 2" becomes 7E4604B 2".

### 74602BCS

Copper Flare x Oval Flange



Part No.	Size	Carton PCS/WT	Price
5149-458	1 1/2"	2/16	\$407.52
5149-459	2"	2/21	\$548.20

### 74602BCSG

G CTS x Oval Flange



Part No.	Size	Carton PCS/WT	Price
5192-180	1 1/2"	2/14	\$410.80
5192-181	2"	2/17	\$527.35

### 74602BCST

T CTS x Oval Flange



Part No.	Size	Carton PCS/WT	Price
5129-059	1 1/2"	2/13	\$410.80
5129-061	2"	2/16	\$527.35

### 74602BCS-22

-22 CTS x Oval Flange



Part No.	Size	Carton PCS/WT	Price
5131-493	1 1/2"	2/14	\$410.80
5131-495	2"	2/17	\$527.35

### 74602BCSQ

Q CTS x Oval Flange



Part No.	Size	Carton PCS/WT	Price
5129-060	1 1/2"	2/14	\$410.80
5129-062	2"	2/16	\$527.35

### 74604BCS

FNPT x Oval Flange



Part No.	Size	Carton PCS/WT	Price
5131-492	1 1/2"	4/25	\$330.22
5131-494	2"	4/28	\$365.70





## Angle Plug Meter Valves

Meter swivel nuts are less saddle unless otherwise indicated, have internal straight threads per AWWA C700, and include hole for wire seal unless otherwise indicated. EPDM rubber gaskets are supplied and are standard.

- Insert stiffeners are required on all flexible plastic connections, see page 10 for stiffeners.
- Angle plug valve operating head rotates 180° open to close.
- When one size is displayed, inlet & outlet are the same size.
- All Angle Plug Valves have a lockwing to lock in the closed position.
- Plug valves are directional.
- 100 PSIG Maximum

### 3/4" METER SWIVEL FITS 5/8" X 3/4" OR 3/4" METERS

#### 74604

FNPT x Meter Swivel w/Saddle Nut



Part No.	Size	Carton PCS/WT	Price
5124-147	3/4"	25/32	\$68.91
5133-352	3/4" x 5/8"	10/12	\$64.34
5124-148	1"	20/38	\$105.66
5133-356	1" x 5/8"	10/14	\$77.95
5133-329	1" x 3/4"	25/36	\$73.57
5133-265	1 1/4" x 1"	10/24	\$128.40

#### 74602Q

Q CTS x Meter Swivel



Part No.	Size	Carton PCS/WT	Price
5182-356	3/4"	25/38	\$88.16
5182-386	3/4" x 5/8"	10/15	\$83.63
5182-072	1"	16/37	\$120.62
5182-387	1" x 5/8"	10/18	\$92.80
5182-269	1" x 3/4"	20/36	\$97.48

#### 74602-3G

-3G PEP-7 x Meter Swivel



Part No.	Size	Carton PCS/WT	Price
5192-338	3/4"	20/34	\$97.48
	3/4" x 5/8"	10/17	\$92.79
5192-442	1"	10/25	\$146.24

#### 74602-3Q

-3Q PEP-7 x Meter Swivel



Part No.	Size	Carton PCS/WT	Price
5182-268	3/4"	20/34	\$97.48
5182-388	3/4" x 5/8"	10/18	\$92.80
5183-392	1"	10/25	\$146.24

#### 74602

Flare x Meter Swivel



Part No.	Size	Carton PCS/WT	Price
5124-171	3/4"	25/40	\$82.73
5133-353	3/4" x 5/8"	10/16	\$77.95
5124-174	1"	16/40	\$112.66
5133-357	1" x 5/8"	10/19	\$87.18
5124-177	1" x 3/4"	20/39	\$91.86

#### 74602T

T CTS x Meter Swivel



Part No.	Size	Carton PCS/WT	Price
5130-158	3/4"	25/37	\$88.16
5133-355	3/4" x 5/8"	10/15	\$83.63
5130-162	1"	16/37	\$120.62
5133-359	1" x 5/8"	10/16	\$92.80
5131-159	1" x 3/4"	20/36	\$97.48
5133-266	1 1/4" x 1"	10/26	\$169.32

#### 74602-44

-44 PVC x Meter Swivel



Part No.	Size	Carton PCS/WT	Price
5142-161	3/4"	20/34	\$97.48
5133-361	3/4" x 5/8"	10/13	\$92.80
5133-270	1"	10/26	\$146.24

#### 74602-22

-22 CTS x Meter Swivel



Part No.	Size	Carton PCS/WT	Price
5140-101	3/4"	25/37	\$88.16
5133-354	3/4" x 5/8"	10/15	\$83.63
5141-121	1"	16/35	\$120.62
5133-358	1" x 5/8"	10/16	\$92.80
5141-122	1" x 3/4"	20/33	\$97.48
5133-267	1 1/4" x 1"	10/25	\$169.32

#### 74602-33

-33 PEP-7 x Meter Swivel



Part No.	Size	Carton PCS/WT	Price
5142-120	3/4"	20/35	\$97.48
5133-360	3/4" x 5/8"	10/17	\$92.80
5133-269	1"	10/25	\$146.24

#### 74602-55

-55 IP x Meter Swivel



Part No.	Size	Carton PCS/WT	Price
5146-121	3/4"	20/28	\$97.48
5133-362	3/4" x 5/8"	10/15	\$92.80
5133-271	1"	10/26	\$146.24

#### 74602G

G CTS x Meter Swivel



Part No.	Size	Carton PCS/WT	Price
5192-061	3/4"	25/39	\$88.16
	3/4" x 5/8"	10/15	\$83.62
5192-042	1"	16/38	\$120.62
	1" x 5/8"	10/16	\$92.79
5192-056	1" x 3/4"	20/38	\$97.48

#### 74602-34

-34 PEP-9 x Meter Swivel



Part No.	Size	Carton PCS/WT	Price
5123-192	3/4"	20/35	\$97.48
	3/4" x 5/8"	10/17	\$92.79
5123-208	1"	10/25	\$146.24

### OPTIONS

- See page 9 for pricing of the following:
- For Handyloc - Replace "Q" with "H" or "-3Q" with "-3H" in 3/4" & 1" **only**.
- For C903 tube - Replace "Q" with "K". On "Q" Series options only 3/4" & 1" **only**.
- For valve or fitting less flare nut add "L" to end of model number.
- CTS Anode (QA) & Flare Anode (A) - Replace "Q" with "QA" or add "A" to flare.
- Insert stiffeners are **required** on all flexible plastic connections. (See page 10 for stiffeners)



## Straight Ball Meter Valves

300 PSI | FOR 5/8", 5/8" x 3/4", 3/4", 1", 1 1/2" OR 2" METERS - LESS LOCKWING

Meter swivel nuts are less saddle, have internal straight threads per AWWA C700, and include hole for wire seal unless otherwise indicated.

EPDM rubber gaskets are supplied and are standard.

- Order Meter Valves by Model Number & Valve Size.
- Insert stiffeners are required on all flexible plastic connections.
- Straight ball valve operating head rotates 90° open to close. (360° available, see page 9 for pricing)
- When size is displayed by itself = Connection size x Port size x Meter size are all the same.
- 3/4" Meter Swivel fits 5/8" x 3/4" or 3/4" meters.

- When multiple sizes appear = Connection size x Port size x Meter size - Lay length.
- Bolt hole diameters on 1 1/2" oval flange = .72, 2" oval flange = .81.
- 2" oval flanged meter valves have slotted bolt holes to accept 1 1/2" or 2" meters.
- For Telescoping Meter Flange option, add \$55.78 to list price, add "E" to the model number, i.e. 76101MW 2" becomes Straight 7E6101MW 2".

### 76100M

Flare x Meter Swivel / Oval Flange\*



Part No.	Size	Carton PCS/WT	Price
5129-167	3/4"	10/27	\$141.66
5139-007	3/4" x 5/8" x 5/8"	20/34	\$98.83
5132-133	3/4" x 5/8" x 3/4"	20/39	\$88.66
5129-168	1"	10/35	\$212.98
5139-165	1" x 3/4" x 3/4"	10/30	\$156.49
5132-190	1" x 3/4" x 1"	10/35	\$172.74
5139-142	1 1/4" x 1" x 1"	10/48	\$262.34
5133-138	1 1/2"*	2/17	\$444.33
5133-140	2"*	2/29	\$716.30

### 76100M-22

-22 CTS x Meter Swivel / Oval Flange\*



Part No.	Size	Carton PCS/WT	Price
5133-155	3/4"	10/19	\$148.05
5139-011	3/4" x 5/8" x 5/8"	20/31	\$92.86
5133-145	3/4" x 5/8" x 3/4"	20/33	\$95.07
5133-166	1"	10/31	\$221.09
5133-194	1" x 3/4" x 3/4"	10/22	\$160.42
5139-015	1" x 3/4" x 1"	10/30	\$179.01
5142-142	1 1/4" x 1" x 1"	8/32	\$264.62
5133-175	1 1/2"*	2/21	\$398.64
5133-184	2"*	2/24	\$678.78

### 76100MG

G CTS x Meter Swivel / Oval Flange\*



Part No.	Size	Carton PCS/WT	Price
	3/4"	10/20	\$148.04
	3/4" x 5/8" x 5/8"	20/38	\$92.86
5192-208	3/4" x 5/8" x 3/4"	20/35	\$95.07
	1"	10/32	\$221.09
	1" x 3/4" x 3/4"	10/22	\$160.41
	1" x 3/4" x 1"	10/30	\$179.00
	1 1/4" x 1" x 1"	8/33	\$264.61
5192-431	1 1/2"*	2/16	\$398.64
5192-387	2"*	2/22	\$678.78

### OPTIONS

See page 9 for pricing of the following:

- For Handyloc - Replace "Q" with "H" or "-3Q" with "-3H" in 3/4" & 1" **only**.
- For C903 tube - Replace "Q" with "K". On "Q" Series options only 3/4" & 1" **only**.
- For valve or fitting less flare nut add "L" to end of model number.
- CTS Anode (QA) & Flare Anode (A) - Replace "Q" with "QA" or add "A" to flare.
- Insert stiffeners are **required** on all flexible plastic connections. (See page 10 for stiffeners)

### 76100MQ

Q CTS x Meter Swivel / Oval Flange\*



Part No.	Size	Carton PCS/WT	Price
5182-034	3/4"	10/20	\$148.05
5149-356	3/4" x 5/8" x 5/8"	20/38	\$92.86
5182-328	3/4" x 5/8" x 3/4"	20/33	\$95.07
5182-054	1"	10/32	\$221.09
5182-369	1" x 3/4" x 3/4"	10/22	\$160.42
5182-305	1" x 3/4" x 1"	10/30	\$179.01
5149-357	1 1/4" x 1" x 1"	8/33	\$264.62
5182-133	1 1/2"*	2/16	\$398.64
5149-350	2"*	2/21	\$678.78

### 76100MT

T CTS x Meter Swivel / Oval Flange\*



Part No.	Size	Carton PCS/WT	Price
5129-171	3/4"	10/19	\$148.05
5139-009	3/4" x 5/8" x 5/8"	20/32	\$92.86
5132-146	3/4" x 5/8" x 3/4"	20/32	\$95.07
5129-172	1"	8/32	\$221.09
5139-167	1" x 3/4" x 3/4"	10/21	\$160.42
5139-006	1" x 3/4" x 1"	10/30	\$179.01
5139-141	1 1/4" x 1" x 1"	8/34	\$264.62
5133-139	1 1/2"*	2/15	\$398.64
5133-141	2"*	2/29	\$678.78

### 76100M-33

-33 PEP-7 x Meter Swivel / Oval Flange\*



Part No.	Size	Carton PCS/WT	Price
5139-068	3/4"	10/22	\$160.42
5142-143	1"	2/21	\$241.77
5131-026	1 1/2"*	8/33	\$462.02
5131-036	2"*	2/27	\$731.39

### 76100M-34

-34 PEP-9 x Meter Swivel / Oval Flange\*



Part No.	Size	Carton PCS/WT	Price
	3/4"	10/22	\$160.42
	1"	2/21	\$241.77
	1 1/2"*	8/33	\$462.02
	2"*	2/27	\$731.39

### 76100M-3Q

-3Q PEP-7 x Meter Swivel



Part No.	Size	Carton PCS/WT	Price
	3/4"	10/23	\$160.41
5182-381	1"	8/28	\$241.77

### 76100M-3G

-3G PEP-7 x Meter Swivel



Part No.	Size	Carton PCS/WT	Price
5192-284	3/4"	10/23	\$160.42
5192-283	1"	8/32	\$241.77

### 76100M-44

-44 PVC x Meter Swivel / Oval Flange\*



Part No.	Size	Carton PCS/WT	Price
5133-350	3/4"	10/22	\$160.51
5142-183	1"	8/29	\$241.77
5149-351	1 1/2"*	2/16	\$468.05
5149-022	2"*	2/27	\$716.30

### 76100M-55

-55 IP x Meter Swivel / Oval Flange\*



Part No.	Size	Carton PCS/WT	Price
5146-149	1"	10/38	\$278.19
5149-352	1 1/2"*	2/15	\$447.50
5149-353	2"*	2/26	\$697.52

### 76101M

FNPT x Meter Swivel / Oval Flange\*



Part No.	Size	Carton PCS/WT	Price
5129-175	3/4"	10/16	\$131.21
5139-013	3/4" x 5/8" x 5/8"	20/27	\$75.95
5132-147	3/4" x 5/8" x 3/4"	20/28	\$78.15
5129-176	1"	10/27	\$198.60
5143-194	1" x 3/4" x 3/4"	10/16	\$137.69
5142-446	1" x 3/4" x 1"	10/18	\$148.34
5133-105	1 1/2"*	4/27	\$376.15
5133-104	2"*	2/19	\$603.00

### 76107M

MNPT x Meter Swivel / Oval Flange\*



Part No.	Size	Carton PCS/WT	Price
5149-354	1 1/2"*	4/27	\$399.62
5149-355	2"*	2/21	\$649.73



## Straight Ball Meter Valves

300 PSI | FOR 5/8", 5/8" x 3/4", 3/4", 1", 1 1/2" OR 2" METERS - WITH LOCKWING

Meter swivel nuts are less saddle, have internal straight threads per AWWA C700, and include hole for wire seal unless otherwise indicated. EPDM rubber gaskets are supplied and are standard.

- Order Meter Valves by Model Number & Valve Size.
- Insert stiffeners are required on all flexible plastic connections.
- Straight ball valve operating head rotates 90° open to close. (360° available, see page 9 for pricing)
- When size is displayed by itself = Connection size x Port size x Meter size are all the same.
- 3/4" Meter Swivel fits 5/8" x 3/4" or 3/4" meters.

- When multiple sizes appear = Connection size x Port size x Meter size - Lay length.
- Bolt hole diameters on 1 1/2" oval flange = .72, 2" oval flange = .81.
- 2" oval flanged meter valves have slotted bolt holes to accept 1 1/2" or 2" meters.
- For Telescoping Meter Flange option, add \$55.78 to list price, add "E" to the model number, i.e. 76101MW 2" becomes Straight 7E6101MW 2".

### 76100MW

Flare x Meter Swivel / Oval Flange\*



Part No.	Size	Carton PCS/WT	Price
5139-104	3/4"	10/20	\$146.31
5139-008	3/4" x 5/8" x 5/8"	20/35	\$103.53
5132-134	3/4" x 5/8" x 3/4"	20/36	\$93.34
5142-048	3/4" x 5/8" x 3/4" x 3.91	20/38	\$93.34
5133-317	3/4" x 3/4" x 5/8"	10/21	\$142.68
5139-105	1"	10/36	\$217.66
5133-318	1" x 3/4" x 5/8"	10/24	\$166.57
5139-197	1" x 3/4" x 3/4"	10/25	\$161.16
5139-059	1" x 3/4" x 1"	10/27	\$177.40
5149-130	1 1/2"*	2/18	\$449.44
5149-131	2"*	2/30	\$721.43

### 7E6100MW

Flare x Telescoping Meter Flange\*



Part No.	Size	Carton PCS/WT	Price
5142-481	2"*	2/18	\$777.19

### 76100MW-22

-22 CTS x Meter Swivel / Oval Flange\*



Part No.	Size	Carton PCS/WT	Price
5139-106	3/4"	10/20	\$152.77
5139-012	3/4" x 5/8" x 5/8"	20/32	\$97.51
5133-146	3/4" x 5/8" x 3/4"	20/34	\$99.83
5129-010	3/4" x 5/8" x 3/4" x 3.75	20/37	\$99.83
5132-490	3/4" x 5/8" x 3/4" x 3.88	20/37	\$99.83
5133-319	3/4" x 3/4" x 5/8"	10/19	\$147.94
5139-107	1"	10/31	\$225.75
5133-327	1" x 5/8" x 3/4"	20/40	\$128.74
5133-320	1" x 3/4" x 5/8"	10/21	\$172.51
5139-198	1" x 3/4" x 3/4"	10/21	\$165.10
5132-066	1" x 3/4" x 1"	10/22	\$183.67
5142-406	1 1/4" x 1" x 1"	10/36	\$246.51
5149-134	1 1/2"*	2/17	\$403.67
5149-135	2"*	2/21	\$683.87

### 7E6100MW-22

-22 CTS x Telescoping Meter Flange\*



Part No.	Size	Carton PCS/WT	Price
5141-491	2"*	2/18	\$739.65

### 76100MWG

G CTS x Meter Swivel / Oval Flange\*



Part No.	Size	Carton PCS/WT	Price
5129-072	3/4"	10/21	\$152.77
5141-426	3/4" x 5/8" x 5/8"	20/34	\$97.51
5192-049	3/4" x 5/8" x 3/4"	20/36	\$99.83
	3/4" x 5/8" x 3/4" x 3.56	20/36	\$99.81
5192-261	3/4" x 5/8" x 3/4" x 3.75	20/40	\$99.83
5192-350	3/4" x 5/8" x 3/4" x 3.88	20/36	\$99.83
	3/4" x 3/4" x 5/8"	10/19	\$147.94
5192-145	1"	10/33	\$225.75
5129-055	1" x 5/8" x 3/4"	16/35	\$128.74
5192-249	1" x 3/4" x 5/8"	10/23	\$172.51
5192-029	1" x 3/4" x 3/4"	10/24	\$165.10
5192-053	1" x 3/4" x 1"	10/24	\$183.67
5192-080	1 1/2"*	2/15	\$403.67
5192-081	2"*	2/21	\$683.87

### 76100MWQ

Q CTS x Meter Swivel / Oval Flange\*



Part No.	Size	Carton PCS/WT	Price
5182-068	3/4"	10/20	\$152.77
5182-322	3/4" x 5/8" x 5/8"	20/33	\$97.51
5182-112	3/4" x 5/8" x 3/4"	20/34	\$99.83
5131-281	3/4" x 5/8" x 3/4" x 3.56	20/36	\$99.83
5182-354	3/4" x 5/8" x 3/4" x 3.75	20/37	\$99.83
5183-303	3/4" x 5/8" x 3/4" x 3.88	20/38	\$99.83
5182-343	3/4" x 3/4" x 5/8"	10/19	\$147.94
5182-222	1"	10/32	\$225.75
5182-498	1" x 5/8" x 3/4"	16/35	\$128.74
5182-344	1" x 3/4" x 5/8"	10/23	\$172.51
5182-014	1" x 3/4" x 3/4"	10/23	\$165.10
5181-227	1" x 3/4" x 1"	10/24	\$183.67
5182-134	1 1/2"*	2/16	\$403.67
5182-205	2"*	2/20	\$683.87

### 76100MW-3Q

-3Q PEP-7 x Meter Swivel



Part No.	Size	Carton PCS/WT	Price
5182-262	3/4"	10/22	\$165.10
5182-496	3/4" x 5/8" x 3/4"	16/35	\$107.52
5182-345	3/4" x 3/4" x 5/8"	10/22	\$172.51
5142-435	1" x 3/4" x 3/4"	10/25	\$181.74
5142-436	1" x 3/4" x 1"	10/27	\$196.28

### 76100MWT

T CTS x Meter Swivel / Oval Flange\*



Part No.	Size	Carton PCS/WT	Price
5139-108	3/4"	10/20	\$152.77
5139-010	3/4" x 5/8" x 5/8"	20/33	\$97.51
5132-129	3/4" x 5/8" x 3/4"	16/35	\$99.83
	3/4" x 5/8" x 3/4" x 3.56	20/36	\$99.81
5129-012	3/4" x 5/8" x 3/4" x 3.75	20/36	\$99.83
5132-491	3/4" x 5/8" x 3/4" x 3.88	20/36	\$99.83
5133-321	3/4" x 3/4" x 5/8"	10/21	\$147.94
5139-109	1"	10/32	\$225.75
5129-056	1" x 5/8" x 3/4"	16/35	\$128.74
5133-322	1" x 3/4" x 5/8"	10/23	\$172.51
5142-194	1" x 3/4" x 3/4"	10/21	\$165.10
5132-063	1" x 3/4" x 1"	10/24	\$183.67
5149-132	1 1/2"*	2/16	\$403.67
5149-133	2"*	2/19	\$683.87

### 76100MW-33

-33 PEP-7 x Meter Swivel / Oval Flange\*



Part No.	Size	Carton PCS/WT	Price
5131-232	3/4"	10/23	\$165.10
5132-252	3/4" x 5/8" x 3/4"	16/35	\$107.52
5133-323	3/4" x 3/4" x 5/8"	10/21	\$172.51
5139-387	1"	10/36	\$246.14
5148-364	1" x 3/4" x 3/4"	10/25	\$141.98
5131-027	1 1/2"*	2/17	\$467.11
5131-037	2"*	2/27	\$736.52

### 76100MW-34

-34 PEP-9 x Meter Swivel / Oval Flange\*



Part No.	Size	Carton PCS/WT	Price
5123-193	3/4"	10/23	\$165.10
	3/4" x 5/8" x 3/4"	20/41	\$107.51
	3/4" x 3/4" x 5/8"	10/21	\$172.50
	1"	10/36	\$246.13
	1" x 3/4" x 3/4"	10/25	\$141.97
	1 1/2"*	2/17	\$467.11
	2"*	2/27	\$736.52



## Straight Ball Meter Valves

300 PSI | FOR 5/8", 5/8" x 3/4", 3/4", 1", 1 1/2" OR 2" METERS - WITH LOCKWING

Meter swivel nuts are less saddle, have internal straight threads per AWWA C700, and include hole for wire seal unless otherwise indicated. EPDM rubber gaskets are supplied and are standard.

- Order Meter Valves by Model Number & Valve Size.
- Insert stiffeners are required on all flexible plastic connections. (see page 10 for stiffeners)
- Straight ball valve operating head rotates 90° open to close. (360° available, see page 9 for pricing)
- When size is displayed by itself = Connection size x Port size x Meter size are all the same.
- 3/4" Meter Swivel fits 5/8" x 3/4" or 3/4" meters.
- When multiple sizes appear = Connection size x Port size x Meter size - Lay length.

- Bolt hole diameters on 1 1/2" oval flange = .72, 2" oval flange = .81.
- 2" oval flanged meter valves have slotted bolt holes to accept 1 1/2" or 2" meters.
- For Telescoping Meter Flange option, add \$55.78 to list price, add "E" to the model number, i.e. 76101MW 2" becomes 7E6101MW 2".



76101MW



### 76100MW-3G

-3G PE7-7 x Meter Swivel



Part No.	Size	Carton PCS/WT	Price
	3/4"	10/22	\$165.09
5192-484	3/4" x 5/8" x 3/4"	20/43	\$107.51
	3/4" x 3/4" x 5/8"	10/22	\$172.50
5192-463	1" x 3/4" x 3/4"	10/25	\$181.74
5192-454	1" x 3/4" x 1"	10/27	\$196.28

### 76101MW

FNPT x Meter Swivel / Oval Flange\*



Part No.	Size	Carton PCS/WT	Price
5129-014	1/2" x 5/8" x 5/8"	20/27	\$80.58
5139-114	3/4"	10/17	\$135.90
5144-225	3/4" x 3.75	20/26	\$135.90
5139-014	3/4" x 5/8" x 5/8"	20/28	\$82.15
5132-127	3/4" x 5/8" x 3/4"	20/29	\$82.80
5132-488	3/4" x 5/8" x 3/4" x 3.12	20/32	\$82.80
5128-050	3/4" x 5/8" x 3/4" x 3.75	20/33	\$112.15
5129-021	3/4" x 5/8" x 3/4" x 4.00	20/27	\$112.15
5143-406	3/4" x 5/8" x 3/4" x 4.42	10/17	\$112.15
5133-315	3/4" x 3/4" x 5/8"	10/19	\$133.99
5139-115	1"	10/28	\$203.22
5133-316	1" x 3/4" x 5/8"	10/17	\$137.51
5142-197	1" x 3/4" x 3/4"	10/17	\$142.32
5132-068	1" x 3/4" x 1"	10/19	\$148.20
5149-344	1 1/4" x 1" x 1"	10/30	\$267.49
5149-128	1 1/2"*	4/26	\$381.33
5149-129	2"*	2/17	\$608.12
5176-077	2" x 1 1/2" x 1 1/2"*	2/18	\$408.26

### 76107MW

MNPT x Meter Swivel / Oval Flange\*



Part No.	Size	Carton PCS/WT	Price
5149-408	3/4"	10/17	\$137.73
5132-325	3/4" x 5/8" x 5/8"	20/26	\$86.20
5132-459	3/4" x 5/8" x 3/4"	20/27	\$87.83
5149-407	1"	10/29	\$199.16
5149-051	1 1/2"*	2/14	\$403.70
5149-044	2"*	2/19	\$653.25

### 76100MW-44

-44 PVC x Meter Swivel / Oval Flange\*



Part No.	Size	Carton PCS/WT	Price
5131-231	3/4"	10/21	\$165.18
5132-253	3/4" x 5/8" x 3/4"	16/35	\$107.52
5133-324	3/4" x 3/4" x 5/8"	10/30	\$172.51
5142-265	1"	8/29	\$246.14
5139-073	1 1/2"*	2/16	\$472.02
5149-023	2"*	2/23	\$721.43

### 76100MW-55

-55 IP x Meter Swivel / Oval Flange\*



Part No.	Size	Carton PCS/WT	Price
5131-051	3/4"	10/21	\$172.27
5129-052	3/4" x 5/8" x 3/4"	20/37	\$107.52
5133-344	1 1/2"*	2/16	\$451.44
5149-083	2"*	2/27	\$700.85

### 7E6101MW

FNPT x Telescoping Meter Flange\*



Part No.	Size	Carton PCS/WT	Price
5125-121	3/4" x 5/8" x 3/4"	20/34	\$138.58
5142-486	1 1/2"*	4/27	\$437.11
5149-493	2"*	2/19	\$663.44

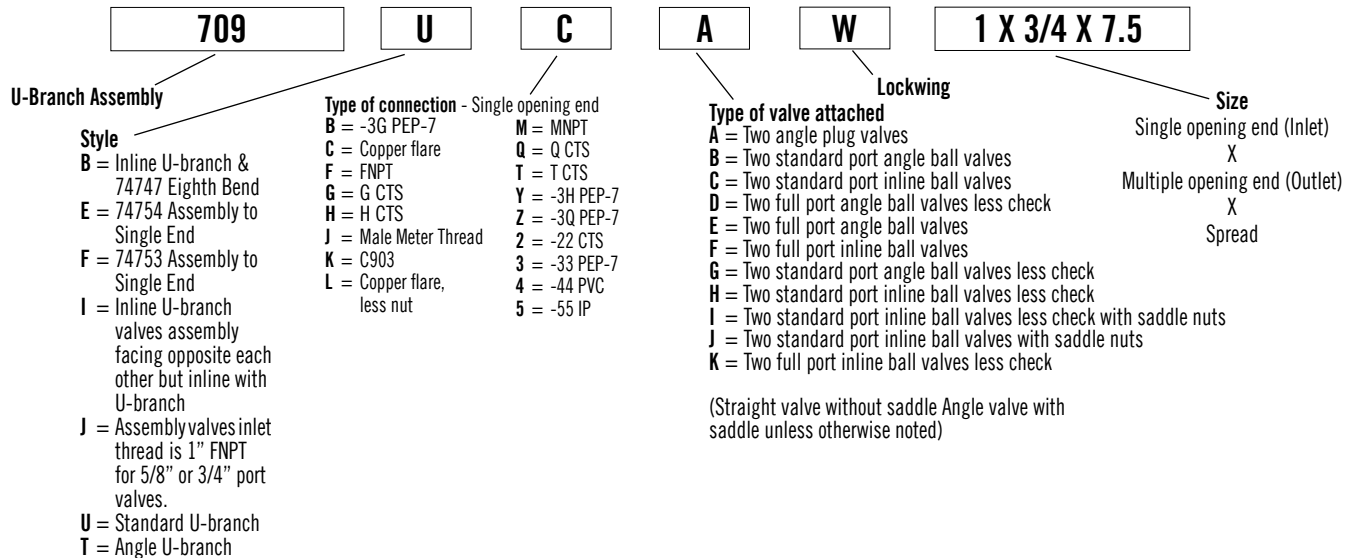




## U-Branch Assemblies with Valves

- Insert stiffeners are required on all flexible plastic connections, see page 10 for stiffeners.
- Angle plug valve operating head rotates 180° open to close.
- Angle ball valves operating head rotates 90° open to close unless otherwise indicated.
- U-branch assemblies with yoke valves can be found in Iron Yoke session. i.e. (709UFCW 1x02x7.5)

To order U-Branch Assemblies: Model No. 709UCAW 1 x 3/4 x 7.5 means:



## Angle U-Branches with Valves

### 709TFBW

FNPT - Standard Port Angle Ball Valves

Part No.	Size	Carton PCS/WT	Price
5127-061	1" x 3/4" x 6.5	10/51	\$290.05

### 709T2AW

-22 CTS - Angle Plug Valves

Part No.	Size	Carton PCS/WT	Price
5127-018	1" x 3/4" x 6.5	10/49	\$287.10

### 709TFEW

FNPT - Full Port Angle Ball Valves

Part No.	Size	Carton PCS/WT	Price
5127-082	1" x 3/4" x 6.5	10/80	\$410.16

### 709TTEW

T CTS - Full Port Angle Ball Valves

Part No.	Size	Carton PCS/WT	Price
5127-062	1" x 3/4" x 6.5	5/31	\$429.27

### 709T2BW

-22 CTS - Standard Port Angle Ball Valves

Part No.	Size	Carton PCS/WT	Price
5127-175	1" x 5/8" x 6.5	10/56	\$307.37
5127-083	1" x 3/4" x 6.5	10/58	\$309.46



## U-Branch Assemblies with Valves



### 709UCAW

Flare - Angle Plug Valves

Part No.	Size	Carton PCS/WT	Price
5127-159	1" x 3/4" x 7.5	10/44	\$278.19

### 709UFCW

FNPT - Standard Port Inline Ball Valves

Part No.	Size	Carton PCS/WT	Price
5127-075	1" x 3/4" x 6.5	10/48	\$269.83
5127-399	1" x 3/4" x 7.5	10/48	\$265.20

### 709UQAW

Q CTS - Angle Plug Valves

Part No.	Size	Carton PCS/WT	Price
5127-182	1" x 3/4" x 7.5	10/46	\$281.37

### 709UCBW

Flare - Standard Port Angle Ball Valves

Part No.	Size	Carton PCS/WT	Price
5127-020	1" x 5/8" x 7.5	10/54	\$300.42
5127-004	1" x 3/4" x 7.5	10/51	\$290.36

### 709UFFW

FNPT - Full Port Inline Ball Valves

Part No.	Size	Carton PCS/WT	Price
5127-122	1" x 3/4" x 7.5	10/55	\$376.61

### 709UQBW

Q CTS - Standard Port Angle Ball Valves

Part No.	Size	Carton PCS/WT	Price
5127-356	1 1/2" x 3/4" x 7.5	5/29	\$376.76

### 709UCCW

Flare - Standard Port Inline Ball Valves

Part No.	Size	Carton PCS/WT	Price
5127-439	1" x 3/4" x 6.5	5/40	\$266.41

### 709UFJW

FNPT - Standard Port Inline Ball Valves

Part No.	Size	Carton PCS/WT	Price
5127-080	1" x 3/4" x 6.5	10/50	\$269.83

### 709UQCW

Q CTS - Standard Port Inline Ball Valves

Part No.	Size	Carton PCS/WT	Price
5127-078	1" x 3/4" x 7.5	10/53	\$277.78

### 709UCEW

Flare - Full Port Angle Ball Valves

Part No.	Size	Carton PCS/WT	Price
5127-060	1" x 3/4" x 7.5	5/37	\$420.39

### 709UFF

FNPT - Full Port Inline Ball Valve

Part No.	Size	Carton PCS/WT	Price
5127-059	1" x 3/4" x 7.5	10/58	\$367.28

### 709UQEW

Q CTS - Full Port Angle Ball Valves

Part No.	Size	Carton PCS/WT	Price
5127-079	1" x 3/4" x 7.5	10/58	\$414.94
5127-384	1" x 1" x 7.5 x 7.00	5/41	\$599.07
5127-402	1" x 3/4" x 14	5/34	\$531.41
5127-391	1" x 3/4" x 7.5 x 701	5/35	\$524.25

### 709UFAW

FNPT - Angle Plug Valves

Part No.	Size	Carton PCS/WT	Price
5127-019	1" x 3/4" x 7.5	5/28	\$268.55
5127-034	1" x 3/4" x 14	10/45	\$347.55

### 709UMGW

MNPT - Standard Port Angle Ball Valves  
less check

Part No.	Size	Carton PCS/WT	Price
5127-040	1" x 3/4" x 7.5	10/58	\$291.84

### 709UQFW

Q CTS - Full Port Inline Ball Valves

Part No.	Size	Carton PCS/WT	Price
5127-185	1" x 3/4" x 7.5	10/60	\$380.86

### 709UFBW

FNPT - Standard Port Angle Ball Valves

Part No.	Size	Carton PCS/WT	Price
5127-355	1" x 3/4" x 6.5	10/51	\$267.75
5127-038	1" x 3/4" x 7.5	10/50	\$276.24





# U-Branch Assemblies with Valves

## 709UTAW

T CTS - Angle Plug Valves

Part No.	Size	Carton PCS/WT	Price
5127-161	1" x 3/4" x 7.5	10/48	\$247.40

## 709UTBW

T CTS - Standard Port Angle Ball Valves

Part No.	Size	Carton PCS/WT	Price
5127-173	1" x 3/4" x 6.5	10/56	\$293.66
5127-011	1" x 3/4" x 7.5	10/55	\$302.19
5127-177	1 1/2" x 3/4" x 7.5	5/28	\$376.73

## 709UTCW

T CTS - Standard Port Inline Ball Valves

Part No.	Size	Carton PCS/WT	Price
5127-021	1" x 3/4" x 7.5	10/52	\$277.78

## 709UTEW

T CTS - Full Port Angle Ball Valves

Part No.	Size	Carton PCS/WT	Price
5127-035	1" x 3/4" x 7.5	5/28	\$414.94
5127-364	1" x 1" x 18	5/54	\$1,104.78

## 709UTHW

T CTS - Standard Port Inline Ball Valve less check

Part No.	Size	Carton PCS/WT	Price
5127-033	1" x 3/4" x 7.5	10/51	\$279.17

## 709U2AW

-22 CTS - Angle Plug Valves

Part No.	Size	Carton PCS/WT	Price
5127-063	1" x 3/4" x 6.5	10/45	\$240.58
5142-159	1" x 3/4" x 7.5	10/46	\$247.40
5127-032	1" x 3/4" x 14	5/28	\$362.77
5142-264	1" x 1" x 7.5	5/30	\$316.38
5127-022	1 1/2" x 3/4" x 7.5	5/25	\$344.28

## 709U2BW

-22 CTS - Standard Port Angle Ball Valves

Part No.	Size	Carton PCS/WT	Price
5127-169	1" x 5/8" x 7.5	10/52	\$303.71
5127-172	1" x 3/4" x 6.5	10/55	\$293.66
5127-002	1" x 3/4" x 7.5	10/49	\$302.19
5127-394	1" x 3/4" x 14	5/31	\$386.27
5127-029	1 1/2" x 3/4" x 7.5	5/29	\$376.73

## 709U2C

-22 CTS - Standard Port Inline Ball Valve less locking

Part No.	Size	Carton PCS/WT	Price
5127-010	1" x 3/4" x 6.5	10/53	\$264.41

## 709U2CW

-22 CTS - Standard Port Inline Ball Valves

Part No.	Size	Carton PCS/WT	Price
5127-009	1" x 3/4" x 6.5	10/53	\$266.06
5127-008	1" x 3/4" x 7.5	10/48	\$277.78
5127-180	1 1/2" x 3/4" x 7.5	5/27	\$379.34

## 709U2CWF

-22 CTS - Standard Port Inline Ball Valves (FNPT Outlet)

Part No.	Size	Carton PCS/WT	Price
5127-036	1" x 3/4" x 7.5	10/45	\$267.78

## 709U2EW

-22 CTS - Full Port Angle Ball Valves

Part No.	Size	Carton PCS/WT	Price
5127-377	1" x 3/4" x 6.5	10/55	\$397.15
5127-094	1" x 3/4" x 7.5	10/52	\$405.66
5127-085	1" x 3/4" x 14	5/33	\$479.86
5127-084	1 1/2" x 3/4" x 7.5	5/29	\$555.98
5127-351	1 1/2" x 1" x 9	5/48	\$721.53

## 709U2FWF

-22 CTS - Full Port Inline Ball Valves (FNPT Outlet)

Part No.	Size	Carton PCS/WT	Price
5127-090	1" x 3/4" x 7.5	10/49	\$337.16

## 709U2HW

-22 CTS - Standard Port Inline Ball Valve less check

Part No.	Size	Carton PCS/WT	Price
5127-350	1" x 3/4" x 6.5	10/53	\$271.92
5127-017	1" x 3/4" x 7.5	10/51	\$279.17
5127-401	1 1/2" x 3/4" x 7.5	5/30	\$351.59

## 709U2IW

-22 CTS - Standard Port Inline Ball Valve less check

Part No.	Size	Carton PCS/WT	Price
5127-374	1" x 3/4" x 6.5	5/26	\$271.92

## 709U2DW

-22 CTS - Full Port Angle Ball Valve less check

Part No.	Size	Carton PCS/WT	Price
5127-437	1" x 3/4" x 6.5	10/55	\$378.10

## 709U2KW

-22 CTS - Full Port Inline Ball Valve less check

Part No.	Size	Carton PCS/WT	Price
5127-438	1" x 3/4" x 6.5	5/30	\$378.10



## U-Branch Assemblies with Valves

### 709UMBW

MNPT - Standard Port Angle Ball Valves

Part No.	Size	Carton PCS/WT	Price
5127-432	1" x 3/4" x 7.5	1/5	\$262.99

### 709UZAW

-3Q PEP-7 - Angle Plug Valves

Part No.	Size	Carton PCS/WT	Price
5127-043	1" x 3/4" x 7.5	10/44	\$298.24

### 709ITEW

T CTS - Full Port Angle Ball Valves

Part No.	Size	Carton PCS/WT	Price
5127-091	1" x 3/4" x 18	5/40	\$954.95

### 709UGBW

G CTS - Standard Port Angle Ball Valves

Part No.	Size	Carton PCS/WT	Price
5127-429	1" x 3/4" x 14	5/31	\$384.78

### 709U4CW

-44 PVC - Standard Port Inline Ball Valves

Part No.	Size	Carton PCS/WT	Price
5127-378	1" x 3/4" x 7.5	10/55	\$279.60

### 709B2FWF

-22 CTS - Full Port Angle Ball Valves

Part No.	Size	Carton PCS/WT	Price
5127-092	1" x 3/4" x 7.5	8/43	\$423.74

### 709U3AW

-33 PEP-7 - Angle Plug Valves

Part No.	Size	Carton PCS/WT	Price
5127-170	1" x 3/4" x 7.5	10/45	\$304.14

### 709U4BW

-44 PVC - Standard Port Angle Ball Valves

Part No.	Size	Carton PCS/WT	Price
5127-379	1" x 3/4" x 7.5	5/29	\$298.52

### 709J2EW

-22 CTS - Full Port Angle Ball Valves

Part No.	Size	Carton PCS/WT	Price
5127-373	1 1/2" x 3/4" x 9	10/69	\$564.54

### 709U3BW

-33 PEP-7 - Standard Port Angle Ball

Part No.	Size	Carton PCS/WT	Price
5127-174	1" x 3/4" x 7.5	10/60	\$315.83

### 709U4EW

-44 PVC - Full Port Angle Ball Valves

Part No.	Size	Carton PCS/WT	Price
5127-093	1" x 3/4" x 7.5	5/29	\$419.89





**WITHOUT  
YOU  
THERE IS  
NO US.**



# **Curb Boxes**

January 11, 2022 - Revised July 2024



## Small Arch Pattern Base

FOR USE WITH AYMCDONALD 3/4" AND 1" BALL CURB STOPS

### 5601A

- 1" I.D. Upper Section
- Includes 5660 stationary rod
- 5601L - Two hole Erie Lid



### 5607A

- 1" I.D. Upper Section
- Includes 5660 stationary rod
- 5607L Lid - with 1" brass pentagon plug



**5601A** - American Made  
1" Upper with Rod

**5601ALR** - American Made  
1" Upper L/Rod

**5607A** - American Made  
1" Upper with Rod

**5607ALR** - American Made  
1" Upper L/Rod

Part No.	Size	Pallet PCS/WT	Price
4517-000	2 1/2	1/11	\$71.81
4517-001	3	1/12	\$75.35
4517-002	3 1/2	1/13	\$80.16
4517-003	4	1/14	\$84.90
4517-004	4 1/2	1/15	\$88.65
4517-005	5	1/16	\$92.53
4517-006	5 1/2	1/17	\$96.21
4517-007	6	1/18	\$102.12
4517-008	6 1/2	1/19	\$106.06
4517-009	7	1/20	\$109.73
4517-010	7 1/2	1/21	\$115.92
4517-011	8	1/22	\$120.02
4517-012	8 1/2	1/23	\$126.22

Part No.	Size	Pallet PCS/WT	Price
4517-013	2 1/2	100/995	\$58.41
4517-014	3	100/1070	\$61.35
4517-015	3 1/2	100/1139	\$64.22
4517-016	4	100/1215	\$66.88
4517-017	4 1/2	100/1280	\$69.38
4517-018	5	100/1355	\$72.03
4517-019	5 1/2	100/1425	\$74.31
4517-020	6	100/1500	\$78.67
4517-021	6 1/2	100/1564	\$80.10
4517-022	7	100/1625	\$82.86
4517-023	7 1/2	100/1695	\$87.54
4517-024	8	100/1790	\$90.29
4517-025	8 1/2	100/1880	\$95.00

Part No.	Size	Pallet PCS/WT	Price
4517-026	2 1/2	1/10	\$76.46
4517-027	3	1/13	\$82.33
4517-028	3 1/2	1/14	\$86.96
4517-029	4	1/15	\$91.37
4517-030	4 1/2	1/16	\$95.05
4517-031	5	1/17	\$98.77
4517-032	5 1/2	1/18	\$102.29
4517-033	6	1/19	\$107.87
4517-034	6 1/2	1/20	\$111.64
4517-035	7	1/21	\$115.10
4517-036	7 1/2	1/22	\$116.29
4517-037	8	1/23	\$124.95

Part No.	Size	Pallet PCS/WT	Price
4517-038	2 1/2	100/987	\$63.72
4517-039	3	100/1122	\$68.57
4517-040	3 1/2	100/1195	\$71.79
4517-041	4	100/1265	\$74.21
4517-042	4 1/2	100/1340	\$76.70
4517-043	5	100/1395	\$79.17
4517-044	5 1/2	100/1485	\$81.50
4517-045	6	100/1565	\$85.41
4517-046	6 1/2	100/1628	\$86.93
4517-047	7	100/1725	\$89.76
4517-048	7 1/2	100/1750	\$92.53
4517-049	8	100/1840	\$96.56
	9 1/2		\$106.19

### 5601 Lids

Part No.	Model	Marking	Price
D 4511-163	5601L	"Water"	\$12.45 B
D 4511-388	5601PL	"No Marking"	\$13.15 B

### 5607 Lids

Part No.	Model	Marking	Price
D 4511-164	5607L	"Water"	\$20.22 C
E 4510-438	5607LG	X "Gas"	\$20.22 A
E 4510-428	5607LPS	"Sewer"	\$20.22 A
E 4511-387	5607LD	"Water"	\$21.22 A
D 4510-467	5607LTW Tracewire	"Water"	\$24.05 C
E 4510-440	5607LSK	"Irrigation"	\$20.22 A
E 4510-439	5607LRW	"Reclaimed Water"	\$20.22 A



\*Adder for tracer wire - \$3.83

### NOTES

- Order by model number and maximum extended lengths from 2 1/2' thru 10' (in 6" increments). Example: 5601 8 1/2'
- When rods are furnished with Curb Boxes, they are 18" shorter than maximum extended length of Curb Box.
- All Curb Boxes telescope one foot. Lengths shown are at maximum extension:  
**Example:** A 5' Curb Box can be used at depths ranging from 4' to 5'.
- Shut Off Rods and Available Lid Options, see Curb Boxes accessories.

### \*Chart Character Key

- A - Slot in lid with rope thread
- B - No slot in lid with npsm thread
- C - Slot in lid with npsm thread
- D - USA made
- E - North American made



# Small Arch Pattern Base

FOR USE WITH AYMCDONALD 3/4" AND 1" BALL CURB STOPS

## 5604A

- 1 1/4" I.D. Upper Section
- Shut-off rod available
- **5614L Lid - with 1 1/4" brass pentagon plug**

5614L



## 5604A

1 1/4" Upper L/Rod

Part No.	Size	Pallet PCS/WT	Price
4510-497	2 1/2	100/1145	\$66.91
4516-123	3	100/1205	\$66.91
4516-124	3 1/2	100/1320	\$69.87
4516-120	4	100/1418	\$72.76
4516-125	4 1/2	100/1500	\$75.84
4516-114	5	100/1600	\$78.95
4516-115	5 1/2	100/1685	\$82.10
4516-116	6	100/1790	\$85.65
4516-117	6 1/2	100/1862	\$89.15
4516-118	7	100/1945	\$92.24
4516-119	7 1/2	100/2060	\$96.21
4516-126	8	100/2850	\$99.39
4516-112	10	50/1200	\$124.25

## 5614 Lids

Part No.	Model	Marking	Price
D 4511-165	5614L	"Water"	\$25.73 B
E 4510-441	5614LG	X "Gas"	\$25.73 A
D 4517-090	5614ALPS	"Sewer"	\$28.56 C
D 4510-468	5614LTW Tracewire	"Water"	\$29.56 C
E 4510-443	5614LSK	"Irrigation"	\$25.73 A
E 4510-442	5614LRW	"Reclaimed Water"	\$25.73 A



Lid

Adjustable steel pipe upper section

Cast iron base casting

Arch

\*Adder for tracer wire - \$3.83

### NOTES

- Order by model number and maximum extended lengths from 2 1/2' thru 10' (in 6" increments). Example: 5604 8 1/2'
- When rods are furnished with Curb Boxes, they are 18" shorter than maximum extended length of Curb Box.
- All Curb Boxes telescope one foot. Lengths shown are at maximum extension.  
**Example:** A 5' Curb Box can be used at depths ranging from 4' to 5'.
- **Shut Off Rods and Available Lid Options, see Curb Boxes accessories.**

### \*Chart Character Key

- A - Slot in lid with rope thread
- B - No slot in lid with npsm thread
- C - Slot in lid with npsm thread
- D - USA made
- E - North American made





## Large Arch Pattern Base

FOR USE WITH AYMCDONALD 1 1/4", 1 1/2" AND 2" BALL CURB STOPS

### 5603A

- 1" I.D. Upper Section
- Includes 5674 stationary rod
- 5601L - Two hole Erie Lid



### 5603A

1" Upper with Rod

Part No.	Size	Pallet PCS/WT	Price
4513-112	2 1/2	1/17	\$106.85
4513-113	3	1/18	\$110.89
4513-114	3 1/2	1/19	\$115.36
4513-115	4	1/20	\$122.57
4513-116	4 1/2	1/21	\$126.77
4513-117	5	1/22	\$128.70
4513-118	5 1/2	1/23	\$132.85
4513-119	6	1/24	\$137.51
4513-120	6 1/2	1/25	\$142.53
4513-121	7	1/26	\$146.38
4513-122	7 1/2	1/27	\$151.41
4513-123	8	1/28	\$156.18
4513-203	10	1/33	\$195.23

### 5603ALR

1" Upper L/Rod

Part No.	Size	Pallet PCS/WT	Price
4511-172	2 1/2	50/781	\$94.32
4510-143	3	50/806	\$97.40
4510-145	3 1/2	50/831	\$100.49
4510-147	4	50/856	\$105.72
4510-149	4 1/2	50/881	\$108.79
4510-151	5	50/906	\$109.51
4510-153	5 1/2	50/1000	\$112.45
4510-155	6	50/1018	\$115.61
4510-157	6 1/2	50/981	\$118.27
4510-159	7	50/1006	\$121.27
4510-161	7 1/2	50/1031	\$124.92
4510-163	8	50/1056	\$128.40
4513-202	10	50/1217	\$160.52

### 5601 Lids

Part No.	Model	Marking	Price
D 4511-163	5601L	"Water"	\$12.45 B
D 4511-388	5601PL	"No Marking"	\$13.15 B

### 5541LASY - Erie Lid with 1 1/4" x 1 1" Bushing

Part No.	Model	Marking	Price
D 4511-421	5541LASY	"Water"	\$12.45 B

### 5602A

- 1" I.D. Upper Section
- Includes 5674 stationary rod
- 5607L Lid - with 1" brass pentagon plug



5607 Lid

### 5602A

1" Upper with Rod

Part No.	Size	Pallet PCS/WT	Price
4510-007	2 1/2	1/18	\$106.85
4510-009	3	1/19	\$110.89
4510-011	3 1/2	1/20	\$115.36
4510-013	4	1/21	\$122.57
4510-015	4 1/2	1/22	\$126.77
4510-017	5	1/23	\$128.70
4510-019	5 1/2	1/24	\$132.85
4510-021	6	1/25	\$137.51
4510-023	6 1/2	1/26	\$142.53
4510-025	7	1/28	\$146.38
4510-027	7 1/2	1/28	\$151.41
4510-029	8	1/29	\$156.18

### 5602ALR

1" Upper L/Rod

Part No.	Size	Pallet PCS/WT	Price
4510-006	2 1/2	50/813	\$94.32
4510-008	3	50/850	\$97.40
4510-010	3 1/2	50/870	\$100.49
4510-012	4	50/910	\$105.72
4510-014	4 1/2	50/945	\$108.79
4510-016	5	50/988	\$109.51
4510-018	5 1/2	50/1030	\$112.45
4510-020	6	50/1060	\$115.61
4510-022	6 1/2	50/1095	\$118.27
4510-024	7	50/1120	\$121.27
4510-026	7 1/2	50/1175	\$124.92
4510-028	8	50/1193	\$128.40
4513-082	10	50/1364	\$142.66

### 5607 Lids

Part No.	Model	Marking	Price
D 4511-164	5607L	"Water"	\$20.22 C
E 4510-438	5607LG	X "Gas"	\$20.22 A
E 4510-428	5607LPS	"Sewer"	\$20.22 A
E 4511-387	5607LD	"Water"	\$21.22 A
D 4510-467	5607LTW Tracewire	"Water"	\$24.05 C
E 4510-440	5607LSK	"Irrigation"	\$20.22 A
E 4510-439	5607LRW	"Reclaimed Water"	\$20.22 A



\*Adder for tracer wire - \$3.83

### NOTES

- Order by model number and maximum extended lengths from 2 1/2' thru 10' (in 6" increments). Example: 5603 8 1/2'
- When rods are furnished with Curb Boxes, they are 18" shorter than maximum extended length of Curb Box.
- All Curb Boxes telescope one foot. Lengths shown are at maximum extension.  
Example: A 5' Curb Box can be used at depths ranging from 4' to 5'.
- Shut Off Rods and Available Lid Options, see Curb Boxes accessories.

### \*Chart Character Key

- A - Slot in lid with rope thread
- B - No slot in lid with npsm thread
- C - Slot in lid with npsm thread
- D - USA made
- E - North American made





# Minneapolis Pattern Base

BASE TAPPED 1 1/2" FOR USE WITH A.Y. MCDONALD 3/4" & 1" BALL CURB STOPS

## 5614A

- 1 1/4" I.D. Upper Section
- Shut-off rod available
- **5614L - with 1 1/4" brass pentagon plug**



## 5622A

- 1 1/2" I.D. Upper Section
- Shut-off rod available
- **5623L - with 1 1/2" brass pentagon plug**
- Base casting includes 5622ABUSH 2" x 1 1/2" Bushing 2" MNPT x 1 1/2" FNPT



**5614A - American Made**  
1 1/4" Upper L/Rod

Part No.	Size	Pallet PCS/WT	Price
4517-050	2 1/2	100/1165	\$70.00
4517-051	3	100/1200	\$73.02
4517-052	3 1/2	100/1380	\$76.18
4517-053	4	100/1385	\$79.35
4517-054	4 1/2	100/1535	\$82.57
4517-055	5	100/1655	\$86.44
4517-056	5 1/2	100/1735	\$89.86
4517-057	6	100/1818	\$92.96
4517-058	6 1/2	100/1935	\$96.99
4517-059	7	100/1995	\$100.21
4517-060	7 1/2	100/2070	\$104.84
4517-061	8	100/2180	\$108.56
4517-062	8 1/2	50/1173	\$115.35
4517-063	9	50/1205	\$122.14
4517-064	9 1/2	50/1235	\$128.93
4517-065	10	50/1300	\$135.71

**5622A - American Made**  
1 1/2" Upper L/Rod - Tap 2"  
with 2" x 1 1/2" Bushing

Part No.	Size	Pallet PCS/WT	Price
	2 1/2	100/1900	\$96.26
	3	100/1830	\$102.21
	3 1/2	100/1915	\$108.15
4511-454	4	100/2014	\$114.08
	4 1/2	100/2200	\$120.78
4511-484	5	100/2281	\$129.34
	5 1/2	100/2350	\$133.06
4511-396	6	100/2445	\$139.05
4511-481	6 1/2	100/2628	\$145.22
4517-113	7	100/2800	\$151.57
4517-114	7 1/2	50/1450	\$157.77
4511-399	8	50/1465	\$163.68
4517-110	8 1/2	50/1465	\$169.57
4511-478	9	50/1569	\$176.08

## 5622AC

For 5622A with cast iron plug in lid Deduct \$7.55 from 5622 and add "C" to model number



## 5614 Lids

Part No.	Model	Marking	Price
D 4511-165	5614L	"Water"	\$25.73 B
E 4510-441	5614LG	X "Gas"	\$25.73 A
D 4517-090	5614ALPS	"Sewer"	\$28.56 C
D 4510-468	5614LTW Tracewire	"Water"	\$29.56 C
E 4510-443	5614LSK	"Irrigation"	\$25.73 A
E 4510-442	5614LRW	"Reclaimed Water"	\$25.73 A

## 5623 Lids

Part No.	Model	Marking	Price
D 4511-166	5623L	"Water"	\$22.57 B
D	5623LPS		\$22.56 B
D 4510-065	5623LTW Tracewire	"Water"	\$26.41 B
D 4510-465	5623LCP Cast Iron Plug	"Water"	\$18.75 B
D 4511-457	5623LCPWT	"Water"	\$23.04 B

### NOTES

- Order by model number and maximum extended lengths from 2 1/2' thru 10' (in 6" increments). Example: 5614 8 1/2'
- When rods are furnished with Curb Boxes, they are 18" shorter than maximum extended length of Curb Box.
- All Curb Boxes telescope one foot. Lengths shown are at maximum extension:  
**Example:** A 5' Curb Box can be used at depths ranging from 4' to 5'.
- Shut Off Rods and Available Lid Options, see Curb Boxes accessories.

## Minneapolis Pattern



Minneapolis Pattern Curb Stops have male threads on top that screw onto the female threads machined into the bottom of Minneapolis Pattern Curb Boxes. Threading the Curb Stop in the Curb Box gives a unified valve/box assembly that assures their alignment. The charts below identify size of threads in base casting of Curb Boxes and at top of Curb Stops.

MINNEAPOLIS INVERTED PLUG TYPE CURB STOPS			MINNEAPOLIS BALL VALVE CURB STOPS		
Curb Box Base Tapped	1 1/2"	2"	Curb Box Base Tapped	1 1/2"	2"
Inverted Plug Valve Size	3/4"	1"	Ball Valve Size	3/4", 1" or 1 1/4" x 1 x 1 1/4"	1 1/4", 1 1/2", 2" or 1/4" x 1 1/2" x 1 1/4"



5614 - Base Tapped 1 1/2"

5622 - Base Tapped 2" w/2" x 1 1/2"

### \*Chart Character Key

- A - Slot in lid with rope thread
- B - No slot in lid with npsm thread
- C - Slot in lid with npsm thread
- D - USA made
- E - North American made



## Minneapolis Pattern Base

BASE TAPPED 2" FOR USE WITH A.Y. MCDONALD 1 1/4", 1 1/2" & 2" BALL CURBS STOPS

### 5615A

- 1 1/4" I.D. Upper Section
- Shut-off rod available
- 5614L - with 1 1/4" brass pentagon plug



### 5623A

- 1 1/2" I.D. Upper Section
- Shut-off rod available
- 5623L - with 1 1/2" brass pentagon plug



5615A - American Made  
1 1/4" Upper L/Rod

Part No.	Size	Pallet PCS/WT	Price
4517-066	2 1/2	100/1205	\$70.00
4517-067	3	100/1300	\$73.02
4517-068	3 1/2	100/1340	\$76.18
4517-069	4	100/1470	\$79.35
4517-070	4 1/2	100/1600	\$82.57
4517-071	5	100/1665	\$86.44
4517-072	5 1/2	100/1700	\$89.86
4517-073	6	100/1815	\$92.96
4517-074	6 1/2	100/1955	\$96.99
4517-075	7	100/2000	\$100.21
4517-076	7 1/2	100/2050	\$104.84
4517-077	8	100/2060	\$108.56
4517-078	8 1/2	50/1168	\$115.35
4517-079	9	50/1187	\$122.14
4517-080	9 1/2	50/1228	\$128.93
4517-081	10	50/1500	\$135.71

### 5615AWB

Available with 2" MNPT x 1 1/2" FNPT reducing bushing (Add "WB" to model number)  
Add \$12.02 to list

5623A - American Made  
1 1/2" Upper L/Rod

Part No.	Size	Pallet PCS/WT	Price
	2 1/2	100/1800	\$83.84
	3	100/1900	\$89.79
4516-192	3 1/2	100/1810	\$95.74
4511-476	4	100/1977	\$101.71
4517-111	4 1/2	100/2200	\$108.38
4517-126	5	100/2130	\$114.58
4511-491	5 1/2	100/2300	\$120.66
4511-397	6	100/2400	\$126.67
4511-495	6 1/2	100/2495	\$133.07
4517-101	7	100/2700	\$139.18
	7 1/2	50/1400	\$145.38
4511-447	8	100/2797	\$151.29
	8 1/2	50/1468	\$157.20
4511-487	9	100/2900	\$163.12
	10	50/1550	\$169.03

### NOTE

- For 5623A model with cast iron plug add "C" to model number and deduct \$7.55 from list.

**Example:**  
5623A 5 becomes 5623AC 5

5622ABUSH - American Made  
2" x 1 1/2" Bushing

Size	Carton PCS/WT	Price
4511-492 2" x 1 1/2"	20/13	\$12.40

### 5614 Lids

Part No.	Model	Marking	Price
D 4511-165	5614L	"Water"	\$25.73 B
E 4510-441	5614LG	X "Gas"	\$25.73 A
D 4517-090	5614ALPS	"Sewer"	\$28.56 C
D 4510-468v	5614LTW Tracewire	"Water"	\$29.56 C
E 4510-443	5614LSK	"Irrigation"	\$25.73 A
E 4510-442	5614LRW	"Reclaimed Water"	\$25.73 A

### 5623ADPT Increase Adapter

- 2" MNPT x 2 1/2" FNPT
- Increases Minneapolis Pattern Curb Box Tapped 2" up to 2 1/2"
- Use with 1 1/4" inverted plug type curb stops (ball size)
- List price \$58.87

### 5623 Lids

Part No.	Model	Marking	Price
D 4511-166	5623L	"Water"	\$22.57 B
D	5623LPS		\$22.56 B
D 4510-065	5623LTW Tracewire	"Water"	\$26.41 B
D 4510-465	5623LCP Cast Iron Plug	"Water"	\$18.75 B
D 4511-457	5623LCPTW	"Water"	\$23.04 B

### NOTES

- Order by model number and maximum extended lengths from 2 1/2' thru 10' (in 6" increments). Example: 5613 8 1/2'
- When rods are furnished with Curb Boxes, they are 18" shorter than maximum extended length of Curb Box.
- All Curb Boxes telescope one foot. Lengths shown are at maximum extension:
- Example:** A 5' Curb Box can be used at depths ranging from 4' to 5'.
- Shut Off Rods and Available Lid Options, see Curb Boxes accessories.

### \*Chart Character Key

- A - Slot in lid with rope thread
- B - No slot in lid with npsm thread
- C - Slot in lid with npsm thread
- D - USA made
- E - North American made



## Plastic Telescoping Curb Box

36" & 42" ADJUSTABLE

**5504** - 1 1/4" Upper Arch Curb Box Pentagon Lid with Rod

Part No.	Size	Pallet PCS/WT	Price
4511-406	48 x 84	1/13	\$190.81
4511-458	84 x 144	1/17	\$318.71

**5504LR** - 1 1/4" Upper Arch Curb Box Pentagon Lid L/Rod

Part No.	Size	Pallet PCS/WT	Price
4511-402	48 x 84	1/8	\$120.37
4511-459	84 X 144	50/353	\$197.84

**5514** - 1 1/4" Upper Minn Curb Box Pentagon Lid with Rod 1 1/2" Tap

Part No.	Size	Pallet PCS/WT	Price
4511-407	48 x 84	1/13	\$179.33
4511-442	66 x 108	1/14	\$230.57
4511-460	84 X 144	1/17	\$306.99

**5514LR** - 1 1/4" Upper Minn Curb Box Pentagon Lid L/Rod 1 1/2" Tap

Part No.	Size	Pallet PCS/WT	Price
4511-403	48 x 84	1/7	\$108.89
4511-443	66 x 108	1/7	\$139.98
4511-461	84 X 144	50/353	\$186.11

**5515** - 1 1/4" Upper Minn Curb Box Pentagon Lid with Rod 2" Tap

Part No.	Size	Pallet PCS/WT	Price
4511-413	48 x 84	1/11	\$179.33
4511-448	66 x 108	1/16	\$230.55
4511-462	84 x 144	1/17	\$306.99

**5515LR** - 1 1/4" Upper Minn Curb Box Pentagon Lid L/Rod 2" Tap

Part No.	Size	Pallet PCS/WT	Price
4511-411	48 x 84	1/7	\$108.89
4511-449	66 x 108	1/7	\$139.98
4511-463	84 X 144	1/7	\$186.11

**5541** - 1 1/4" Upper Arch Curb Box 2 Hole Lid with Rod

Part No.	Size	Pallet PCS/WT	Price
4511-408	48 x 84	1/13	\$190.80

**5541LR** - 1 1/4" Upper Arch Curb Box 2 Hole Lid L/Rod

Part No.	Size	Pallet PCS/WT	Price
4511-404	48 x 84	1/6	\$120.37

**5542** - 1 1/4" Upper Minn Curb Box 2 Hole Lid with Rod 1 1/2" Tap

Part No.	Size	Pallet PCS/WT	Price
4511-409	48 x 84	1/14	\$179.33

**5542LR** - 1 1/4" Upper Minn Curb Box 2 Hole Lid L/Rod 1 1/2" Tap

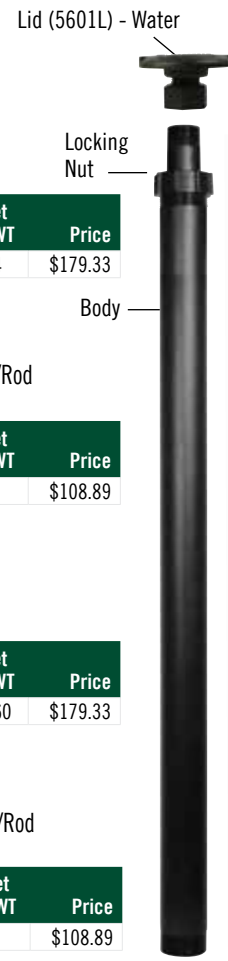
Part No.	Size	Pallet PCS/WT	Price
4511-405	48 x 84	1/6	\$108.89

**5543** - 1 1/4" Upper Minn Curb Box 2 Hole Lid with Rod 2" Tap

Part No.	Size	Pallet PCS/WT	Price
4511-414	48 x 84	50/660	\$179.33

**5543LR** - 1 1/4" Upper Minn Curb Box 2 Hole Lid L/Rod 2" Tap

Part No.	Size	Pallet PCS/WT	Price
4511-422	48 x 84	1/6	\$108.89



5500SS Telescoping Shut off rod

**5514CPLG** Coupling

Part No.	Size	Carton PCS/WT	Price
4511-418	1 1/2" x 2"	1/1	\$24.58
4511-419	2" x 2"	1/1	\$24.58

**5504SA** Arch

Part No.	Size	Carton PCS/WT	Price
4511-417		1/1	\$16.49

**5614 Lids**

Part No.	Model	Marking	Price
D 4511-165	5614L	"Water"	\$25.73 B
E 4510-441	5614LG	X "Gas"	\$25.73 A
D 4517-090	5614ALPS	"Sewer"	\$28.56 C
D 4510-468	5614LTW Tracewire	"Water"	\$29.56 C
E 4510-443	5614LSK	"Irrigation"	\$25.73 A
E 4510-442	5614LRW	"Reclaimed Water"	\$25.73 A

- Lightweight composite material reduces shipping expenses/damages
- Constructed of non-corrosive materials, solving hot corrosive soil issues
- 1 1/4" upper section
- Adjusts a full 30" (From 48" to 84")
- Greater extension range offers reduction of inventory without reduction in sales
- A repairable top section with repair parts available
- Comes with an optional stainless steel rod and interchangeable bases
- Converts easily from Minneapolis to Arch Base

**5504TRS** Top Repair Coupling

Part No.	Size	Carton PCS/WT	Price
4511-410		1/2	\$49.75

**5500SS** Telescoping Shutoff Rod

Part No.	Size	Carton PCS/WT	Price
4511-416	48 x 84	1/6	\$70.52
4511-455	66 x 108	6/46	\$90.59
4511-479	84 X 144	6/60	\$120.88

**5601 Lids**

Part No.	Model	Marking	Price
D 4511-163	5601L	"Water"	\$12.45 B
D 4511-388	5601PL	"No Marking"	\$13.15 B

**5607 Lids**

Part No.	Model	Marking	Price
D 4511-164	5607L	"Water"	\$20.22 C
E 4510-438	5607LG	X "Gas"	\$20.22 A
E 4510-428	5607LPS	"Sewer"	\$20.22 A
E 4511-387	5607LD	"Water"	\$21.22 A
D 4510-467	5607LTW Tracewire	"Water"	\$24.05 C
E 4510-440	5607LSK	"Irrigation"	\$20.22 A
E 4510-439	5607LRW	"Reclaimed Water"	\$20.22 A

**5514CPLG** 2" x 2"

**5504SA** Arch

**5514CPLG** 1 1/2" x 2"

**5500REPNR** Lock Nut and Ring

Part No.	Size	Carton PCS/WT	Price
4511-420		1/1	\$45.11

**5541LAS** Erie Lid with Adapter

Part No.	Size	Carton PCS/WT	Price
4511-421		1/3	\$46.33

**\*Chart Character Key**

- A - Slot in lid with rope thread
- B - No slot in lid with npsm thread
- C - Slot in lid with npsm thread
- D - USA made
- E - North American made



## Lids & Accessories

### 5601 Lids



Part No.	Model	Marking	Price
D 4511-163	5601L	"Water"	\$12.45 B
D 4511-388	5601PL	"No Marking"	\$13.15 B

Tapped 1"



### 5607 Lids

Part No.	Model	Marking	Price
D 4511-164	5607L	"Water"	\$20.22 C
E 4510-438	5607LG	X "Gas"	\$20.22 A
E 4510-428	5607LPS	"Sewer"	\$20.22 A
E 4511-387	5607LD	"Water"	\$21.22 A
D 4510-467	5607LTW Tracewire	"Water"	\$24.05 C
E 4510-440	5607LSK	"Irrigation"	\$20.22 A
E 4510-439	5607LRW	"Reclaimed Water"	\$20.22 A

Tapped 1 1/2"



### 5623 Lids

Part No.	Model	Marking	Price
D 4511-166	5623L	"Water"	\$22.57 B
D	5623LPS		\$22.57 B
D 4510-065	5623LTW Tracewire	"Water"	\$26.41 B
D 4510-465	5623LCP Cast Iron Plug	"Water"	\$18.75 B
D 4511-457	5623LCPTW	"Water"	\$23.04 B

Tapped 1 1/4"



### 5614 Lids

Part No.	Model	Marking	Price
D 4511-165	5614L	"Water"	\$25.73 B/D
E 4510-441	5614LG	X "Gas"	\$25.73 A/E
D 4510-468	5614LTW Tracewire	"Water"	\$29.56 C/D
E 4510-443	5614LSK	"Irrigation"	\$25.73 A/E
E 4510-442	5614LRW	"Reclaimed Water"	\$25.73 A/E

Tapped 2"



### 5624 Lids

Part No.	Model	Marking	Price
D 4511-167	5624L	"Water"	\$38.39 B
D 4511-012	5624LPS	"Sewer"	\$34.51 B
D 4511-301	5624LTW Tracewire	"Water"	\$42.67 B
D 4511-011	5624LFS	"Fire Sprinkler"	\$34.51 B

Tapped 1 1/4"



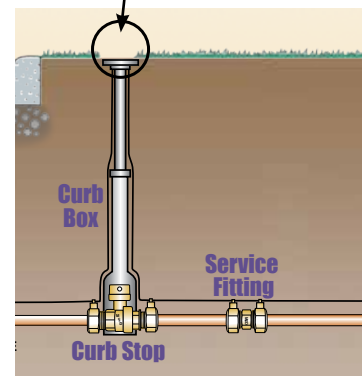
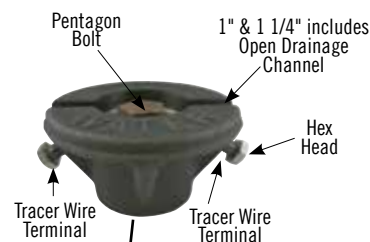
### 5614ALPS Lids

Part No.	Model	Marking	Price
D 4517-090	5614ALPS	"Sewer"	\$28.56 B
D 4517-092	5614ALP	No Marking	\$28.56 B
D 4513-081	5614ALPSTW	"Sewer"	\$29.92 B

### 5541LAS - Erie Lid with 1 1/4" x 1 1/4" Bushing

Part No.	Model	Marking	Price
D 4511-421	5541LAS	"Water"	\$12.45 B

### WITH TRACER WIRE OPTION



- Tracerwire option not available on all lids, consult factory

**TW - TRACER WIRE** - For Pentagon lid type curb boxes with ability to attach tracer wires - add TW to model number.

i.e. 5607ALR becomes 5607ALRTW - add **\$4.19** to list price.

**Note:** Curb Box lids marked other than "Water" may require a minimum order quantity - Contact Factory.

### 5607BP

1" Brass Pentagon Plug

Part No.	Size	Carton PCS/WT	Price
4511-201	1"	25/4	\$7.55

### 5623BP

1 1/2" Brass Pentagon Plug

Part No.	Size	Carton PCS/WT	Price
4511-204	1 1/2"	25/9	\$16.99

### 5624BP

2" Brass Pentagon Plug

Part No.	Size	Carton PCS/WT	Price
4511-219	2"	15/11	\$17.79

### 5614BP

1 1/4" Brass Pentagon Plug

Part No.	Size	Carton PCS/WT	Price
4510-259	1 1/4"	25/5	\$6.84

### 5623CP

1 1/2" Cast Iron Pentagon Plug

Part No.	Size	Carton PCS/WT	Price
4510-464	1 1/2"	25/7	\$4.65



- A pentagon plug allows access to curb stop or shut-off rod without removing lid.
- For lids with other markings or variations, contact factory.

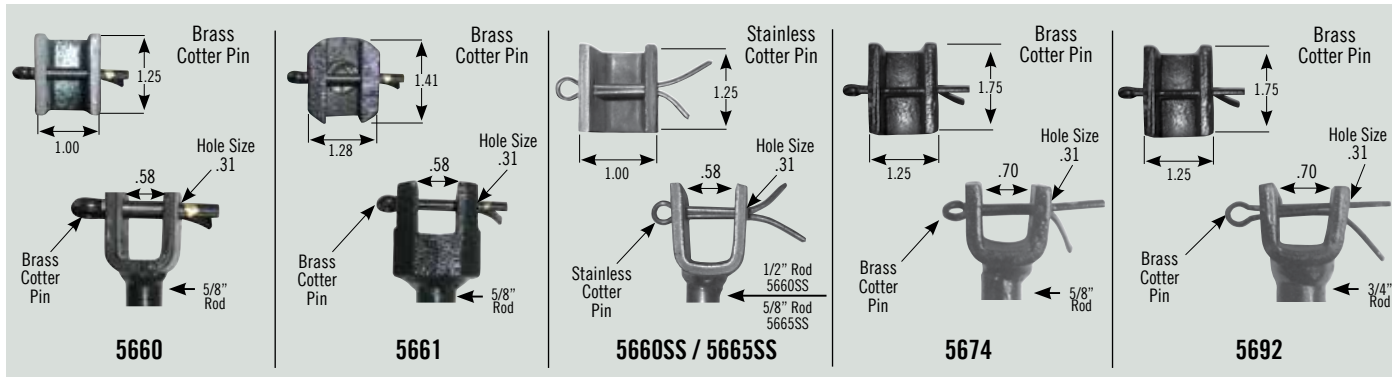
### \*Chart Character Key

- A - Slot in lid with rope thread
- B - No slot in lid with npsm thread
- C - Slot in lid with npsm thread
- D - USA made
- E - North American made





# Shut-Off Rods



## 5660/5660SS/5660SSA

Steel Key

- 5/8" rod (5660)
- 1/2" Stainless steel rod (5665SS)

Small key-clamp welded to rod

**For use with:**

- Ball style curb stops 5/8", 3/4", 1", 1 1/2", 2" (ball size)

### 5660

5/8" Shut-Off Rod - Small Key

Part No.	Size	Carton PCS/WT	Price
4510-216	12	1/2	\$22.78
4510-223	18	1/2	\$22.78
4510-226	24	1/3	\$23.06
4510-229	30	1/3	\$23.62
4510-232	36	1/4	\$23.74
4510-235	42	1/4	\$24.64
4510-238	48	1/5	\$25.88
4510-241	54	1/5	\$26.48
4510-244	60	1/6	\$26.63
4510-247	66	1/6	\$30.28
4510-250	72	1/7	\$31.48
4510-253	78	1/7	\$32.61
4510-393	90	1/9	\$37.61

### 5660SSA - American Made

1/2" Stainless Steel Shut-Off Rod

Part No.	Size	Carton PCS/WT	Price
4511-438	12	1/1	\$69.16
4511-426	18	1/2	\$72.88
4511-427	24	1/2	\$76.55
4511-428	30	1/2	\$80.17
4511-429	36	1/3	\$83.57
4511-430	42	1/3	\$87.82
4511-431	45	1/3	\$89.58
4511-432	48	1/3	\$91.31
4511-433	54	1/4	\$95.02
4511-434	60	1/4	\$98.85
4511-435	66	1/4	\$102.36
4511-436	72	1/5	\$105.94
4511-437	78	1/5	\$109.65
4511-439	84	1/5	\$113.10

### 5660SS

1/2" Stainless Steel Shut-Off Rod

Part No.	Size	Carton PCS/WT	Price
4510-410	12	1/1	\$30.78
4510-411	18	1/2	\$46.17
4510-412	24	1/2	\$46.78
4510-413	30	1/2	\$47.88
4510-414	36	1/3	\$48.12
4510-415	42	1/3	\$50.30
4511-340	45	1/3	\$51.37
4510-416	48	1/3	\$52.45
4510-417	54	1/4	\$53.22
4510-418	60	1/4	\$53.97
4510-419	66	1/4	\$58.87
4510-420	72	1/5	\$63.74
4510-463	78	1/5	\$68.63
4511-355	84	1/6	\$84.74
4511-490	102	1/6	\$133.04

## 5661/ 5665SS

- 5/8" rod
- 5/8" Stainless steel rod (5665SS)
- Small key-clamp welded to rod

**For use with:**

- Ball style curb stops 5/8", 3/4", 1", 1 1/2", 2" (ball size)

### 5661

5/8" Shut-Off Rod - Cast Key

Part No.	Size	Carton PCS/WT	Price
4513-206	12	1/2	\$23.07
4513-207	18	1/2	\$23.07
4513-208	24	1/3	\$24.25
4513-209	30	1/4	\$25.37
4513-210	36	1/4	\$26.47
4513-211	42	1/4	\$27.82
4513-212	48	1/5	\$28.92
4513-213	54	1/6	\$30.11
4513-214	60	1/7	\$31.29
4513-215	66	1/7	\$32.41
4513-216	72	1/7	\$33.54
4513-217	78	1/8	\$34.72
4513-219	90	1/9	\$40.06

### 5665SS

5/8" Stainless Steel Shut-Off Rod

Part No.	Size	Carton PCS/WT	Price
4511-351	18	1/2	\$66.64
4511-352	30	1/2	\$70.69
4511-342	36	1/4	\$78.77
4511-343	42	1/4	\$82.75
4511-341	48	1/5	\$86.68
4511-344	54	1/5	\$90.64
4511-345	60	1/4	\$94.57
4511-346	66	1/4	\$98.50
4511-347	72	1/5	\$102.46
4511-348	78	1/5	\$106.39

## 5674

- 5/8" rod
  - Large key-clamp welded to rod
- For use with:**
- Ball style curb stops 1 1/4", 1 1/2", 2" (ball size)

### 5674

5/8" Shut-Off Rod - Large Key

Part No.	Size	Carton PCS/WT	Price
4515-104	12	1/2	\$22.78
4515-105	18	1/2	\$22.78
4515-106	24	1/3	\$23.06
4515-107	30	1/3	\$23.62
4515-108	36	1/4	\$23.74
4515-109	42	1/4	\$24.64
4515-110	48	1/5	\$25.88
4515-111	54	1/6	\$26.48
4515-112	60	1/6	\$26.63
4515-113	66	1/7	\$30.28
4515-114	72	1/8	\$31.48
4515-115	78	1/8	\$32.61
4511-372	84	1/9	\$34.57
4515-116	90	1/9	\$37.61
4515-117	102	1/10	\$42.63

## 5692

- 3/4" rod
  - Large key-clamp welded to rod
- For use with:**
- Ball style curb stops 1 1/2", 2" (ball size) (For use with 2" upper sections only)

### 5692

3/4" Shut-Off Rod - Large Key

Part No.	Size	Carton PCS/WT	Price
4516-138	30	1/6	\$55.89
4516-140	36	1/5	\$48.80
4516-139	42	1/6	\$55.97
4516-141	48	1/7	\$57.32
4516-142	54	1/9	\$58.24
4516-143	60	1/8	\$60.39
4516-144	66	1/11	\$62.53
4516-145	72	1/9	\$68.21
4516-146	78	1/10	\$73.91

Extended box length in feet	2 1/2'	3'	3 1/2'	4'	4 1/2'	5'	5 1/2'	6'	6 1/2'	7'	7 1/2'	8'
Rod length in inches	12"	18"	24"	30"	36"	42"	48"	54"	60"	66"	72"	78"

-Order by rod model number and length of rod in inches. Example: 5660 4'



## Curb Box Parts & Accessories

### 304B

Heavy steel rod  
Slotted key fits top of all shut-off rods. Spanner wrench end fits 5601L lid. Pentagon wrench fits 5607L, 5614L, 5623L, and 5624L lids.



Slotted End



### 304B

Curb Box Key and Lid Wrench

Part No.	Size	Carton PCS/WT	Price
4510-100	2	1/4	\$62.53
4510-101	3	1/6	\$62.53
4510-102	4	1/7	\$63.22
4510-429	5	1/8	\$74.83
4510-104	6	1/10	\$74.31
4516-167	7	1/10	\$86.55
4510-030	8	0	\$95.14

### 304K

Pentagon Key  
Fits 5607L, 5614L, 5623L, and 5624L lids.



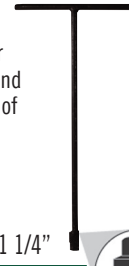
### 304K

Pentagon Key

Part No.	Size	Carton PCS/WT	Price
4510-103		1/1	\$12.06

### 305

Fits in curb boxes with upper sections 1 1/4" and larger, and directly onto operating head of the curb stop.



Slotted End .69 I.D.



1.25 O.D.

### 305

Shut-Off Rod for Boxes over 1 1/4"

Part No.	Size	Carton PCS/WT	Price
4511-197	2	1/3	\$93.55
4511-198	3	1/4	\$93.55
4510-107	4	1/6	\$95.57
4510-111	6	1/8	\$96.25
4510-115	8	1/10	\$102.42
4511-376	10	1/12	\$111.62

### 5614RL

Repair Lid - Fits 1" or 1 1/4" pipe



Part No.	Size	Carton PCS/WT	Price
4511-006		1/4	\$59.48

### 5660CP

Brass Cotter Pin for Shut-Off Rods 1 1/2" Long



Part No.	Size	Carton PCS/WT	Price
4510-033	1 1/4"	50/1	\$2.00

### 5639

Cast Iron Curb Box Receptacle  
(For use with 1" upper section curb boxes (5601 Erie pattern).



Part No.	Size	Carton PCS/WT	Price
4511-199		1/3	\$17.79

### 5660SSCP

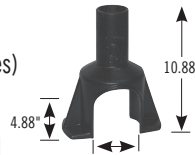
Stainless Steel Cotter Pin for Shut-Off Rods 1 3/4" Long



Part No.	Size	Carton PCS/WT	Price
4510-059	1 1/4"	10	\$4.04

### 5700EBASE

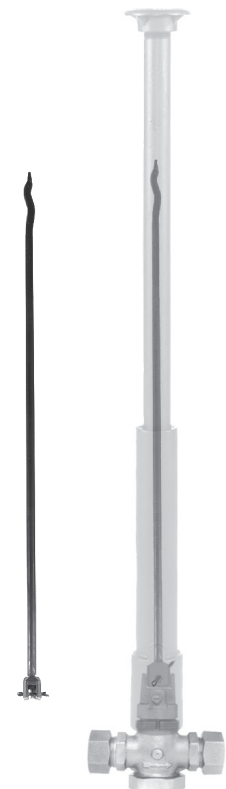
Enlarged Base (1 1/4" - 2" valves)



Size	Carton PCS/WT	Price
4771-028	1/11	\$34.32

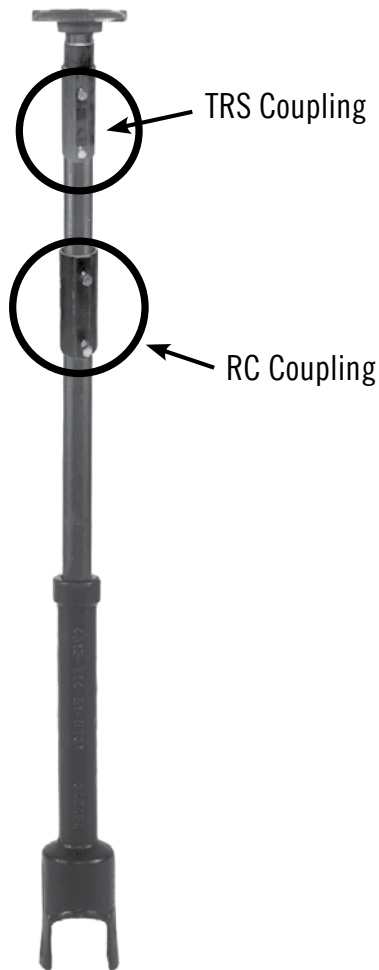
Extended box length in feet	2 1/2'	3'	3 1/2'	4'	4 1/2'	5'	5 1/2'	6'	6 1/2'	7'	7 1/2'	8'
Rod length in inches	12"	18"	24"	30"	36"	42"	48"	54"	60"	66"	72"	78"

-Order by rod model number and length of rod in inches. Example: 5660 4'





# Cast Iron Repair Couplings



"TRS" is used for top curb box thread repairs and extends height by 3"



"RC" couplings are used to repair or extend the upper section of curb box pipe

**5601TRS**  
Curb Box Repair Coupling  
For use with 1" upper section

1"

Part No.	Size	Carton PCS/WT	Price
4772-300	1"	1/3	\$13.35

**5601RC**  
Curb Box Coupling  
For use with 1" upper section

Part No.	Size	Carton PCS/WT	Price
4772-301	1"	1/2	\$10.37

**5604TRS**  
Curb Box Repair Coupling  
For use with 1 1/4" upper section

1 1/4"

Part No.	Size	Carton PCS/WT	Price
4772-302	1 1/4"	1/3	\$16.31

**5604RC**  
Curb Box Coupling  
For use with 1 1/4" upper section

Part No.	Size	Carton PCS/WT	Price
4772-303	1 1/4"	1/2	\$11.87

**5605TRS**  
Curb Box Repair Coupling  
For use with 1 1/2" upper section

1 1/2"

Part No.	Size	Carton PCS/WT	Price
4772-304	1 1/2"	1/4	\$20.78

**5605RC**  
Curb Box Coupling  
For use with 1 1/2" upper section

Part No.	Size	Carton PCS/WT	Price
4772-305	1 1/2"	1/3	\$13.35

**5606TRS**  
Curb Box Repair Coupling  
For use with 2" upper section

2"

Part No.	Size	Carton PCS/WT	Price
4772-306	2"	1/5	\$23.74

**5606RC**  
Curb Box Coupling  
For use with 2" upper section

Part No.	Size	Carton PCS/WT	Price
4772-307	2"	1/3	\$16.31







**WITHOUT  
YOU  
THERE IS  
NO US.**



# Service Fittings

January 11, 2022 - Revised July 2024



## Straight MNPT Adapters

### ONE END MALE NATIONAL PIPE THREAD

A.Y. McDonald Service Fittings are manufactured to meet or exceed the AWWA C800 (latest revision) standard. Our service fittings are rated to withstand the same pressures as the tubing they are designed to fit. They are designed and tested for cold potable water only. EPDM rubber gaskets are used in our Compression fittings.

#### 74753

Flare x MNPT



Part No.	Size	Carton PCS/WT	Price
5119-122	1/2"	50/17	\$19.28
5119-123	1/2" x 3/4"	50/18	\$23.25
5120-139	3/4"	50/32	\$29.53
5120-140	3/4" x 1/2"	50/38	\$28.84
5121-187	3/4" x 1"	50/36	\$33.98
5121-140	1"	25/26	\$42.17
5121-194	1" x 3/4"	25/29	\$45.05
5125-056	1" x 2"	10/25	\$189.76
5121-141	1 1/4"	15/27	\$84.06
5122-140	1 1/2"	12/31	\$130.05
5122-142	2"	6/28	\$238.71

#### 74753-11

RANGER x MNPT



Part No.	Size	Carton PCS/WT	Price
5196-000	3/4"	25/25	\$55.04
5196-023	3/4" x 1"	25/25	\$64.85
5196-003	1"	25/37	\$85.76
5196-021	1" x 3/4"	15/23	\$82.80
5196-037	1 1/4"	12/20	\$128.93
5196-040	1 1/2"	6/24	\$167.57
5196-071	2"	4/27	\$254.14

#### 74753-22

-22 CTS x MNPT



Part No.	Size	Carton PCS/WT	Price
5130-009	1/2"	50/20	\$32.23
5130-093	1/2" x 3/4"	50/23	\$32.30
5140-106	3/4"	50/28	\$33.22
5130-012	3/4" x 1/2"	50/25	\$30.62
5141-194	3/4" x 1"	50/28	\$36.27
5141-129	1"	25/18	\$39.35
5141-144	1" x 3/4"	25/17	\$36.76
5141-155	1 1/4"	15/20	\$75.20
5132-080	1 1/4" x 3/4"	15/18	\$73.29
5149-126	1 1/4" x 1"	15/21	\$70.11
5132-355	1 1/4" x 1 1/2"	10/16	\$85.09
5141-168	1 1/2"	10/18	\$107.74
5132-240	1 1/2" x 1"	15/24	\$97.32
5132-241	1 1/2" x 1 1/4"	15/25	\$97.85
5141-181	2"	10/26	\$156.98
5125-116	2" x 1"	10/23	\$116.41
5125-114	2" x 1 1/4"	10/24	\$139.78
5131-068	2" x 1 1/2"	10/23	\$129.71
5131-490	2 1/2"	10/35	\$188.63

#### OPTIONS

See page 9 for pricing of the following:

- For Handyloc - Replace "Q" with "H" or "-3Q" with "-3H" in 3/4" & 1" **only**.
- For C903 tube - Replace "Q" with "K". On "Q" Series options only 3/4" & 1" **only**.
- For valve or fitting less flare nut add "L" to end of model number.
- CTS Anode (QA) & Flare Anode (A) - Replace "Q" with "QA" or add "A" to flare.
- Insert stiffeners are **required** on all flexible plastic connections. (See page 10 for stiffeners)

#### 74753G

G CTS x MNPT



Part No.	Size	Carton PCS/WT	Price
5192-022	3/4"	50/34	\$33.22
5192-195	3/4" x 1/2"	50/33	\$30.62
5192-135	3/4" x 1"	50/35	\$36.27
5192-002	1"	25/24	\$39.35
5192-025	1" x 3/4"	25/24	\$36.76
5192-438	1" x 2"	10/18	\$177.04
5192-094	1 1/4"	15/23	\$75.20
5149-472	1 1/4" x 3/4"	15/22	\$73.29
5192-478	1 1/4" x 1"	15/21	\$70.11
	1 1/4" x 1 1/2"	10/16	\$85.09
5192-010	1 1/2"	10/18	\$107.74
5192-076	1 1/2" x 1"	15/24	\$97.32
	1 1/2" x 1 1/4"	15/25	\$97.85
5192-006	2"	10/26	\$156.98

#### 74753Q

Q CTS x MNPT



Part No.	Size	Carton PCS/WT	Price
5182-013	3/4"	50/31	\$33.22
5182-452	3/4" x 1/2"	50/28	\$30.62
5182-047	3/4" x 1"	50/30	\$36.27
5182-000	1"	25/22	\$39.35
5182-003	1" x 3/4"	25/21	\$36.76
5125-057	1" x 2"	10/18	\$177.03
5182-149	1 1/4"	15/21	\$75.20
5182-425	1 1/4" x 3/4"	15/20	\$73.29
5182-121	1 1/4" x 1"	15/21	\$70.11
5182-352	1 1/4" x 1 1/2"	10/16	\$85.09
5182-107	1 1/2"	15/24	\$107.74
5182-109	1 1/2" x 1"	15/20	\$97.32
5182-110	1 1/2" x 1 1/4"	15/21	\$97.85
5182-088	2"	10/22	\$156.98
5125-115	2" x 1"	10/18	\$116.41
5125-113	2" x 1 1/4"	10/18	\$139.78

#### 74753QC

Q CTS x MNPT



Part No.	Size	Carton PCS/WT	Price
5998-004	1/2"	50/35	\$32.23
5998-011	1/2" x 3/4"	25/15	\$32.30
5998-012	5/8" x 3/4"	25/14	\$38.29

Not interchangeable with any A.Y. McDonald compression system

#### 74753T

T CTS x MNPT



Part No.	Size	Carton PCS/WT	Price
5130-102	3/4"	50/29	\$33.22
5130-013	3/4" x 1/2"	50/29	\$30.62
5141-195	3/4" x 1"	50/29	\$36.27
5130-103	1"	25/21	\$39.35
5132-125	1" x 3/4"	25/20	\$36.76
5130-198	1 1/4"	15/20	\$75.20
5132-232	1 1/4" x 3/4"	15/18	\$73.29
5131-004	1 1/4" x 1"	15/21	\$70.11
5132-356	1 1/4" x 1 1/2"	10/16	\$85.09
5130-199	1 1/2"	15/22	\$107.74
5132-242	1 1/2" x 1"	15/18	\$97.32
5132-243	1 1/2" x 1 1/4"	15/20	\$97.85
5131-100	2"	10/21	\$156.98
5131-069	2" x 1 1/2"	10/17	\$129.71

#### 74753-33

-33 PEP-7 x MNPT



Part No.	Size	Carton PCS/WT	Price
5142-122	3/4"	25/18	\$44.02
5130-065	3/4" x 1"	25/20	\$60.59
5142-123	1"	15/21	\$63.90
5132-229	1" x 3/4"	15/19	\$71.65
5141-403	1" x 1 1/4"	15/21	\$85.95
5132-357	1" x 1 1/2"	15/24	\$97.75
5131-009	1 1/4"	10/19	\$96.80
5132-294	1 1/4" x 1"	15/28	\$102.75
5131-012	1 1/4" x 1 1/2"	10/21	\$108.65
5131-017	1 1/2"	10/22	\$151.56
5125-101	1 1/2" x 1"	10/24	\$116.41
5125-100	1 1/2" x 1 1/4"	10/25	\$139.78
5131-028	2"	6/20	\$240.86
5142-236	2" x 1"	10/31	\$147.90

#### 74753-3G

-3G PEP-7 x MNPT



Part No.	Size	Carton PCS/WT	Price
5192-088	3/4"	25/24	\$44.02
	3/4" x 1"	15/21	\$60.59
	3/4" x 2"	15/23	\$287.50
5192-098	1"	15/22	\$63.90
5192-212	1" x 3/4"	15/24	\$71.65
	1" x 1 1/2"	15/24	\$97.75

#### 74753-3Q

-3Q PEP-7 x MNPT



Part No.	Size	Carton PCS/WT	Price
5182-266	3/4"	25/24	\$44.02
5182-267	3/4" x 1"	15/21	\$60.59
5125-058	3/4" x 2"	15/23	\$287.50
5182-236	1"	15/22	\$63.90
5182-304	1" x 3/4"	15/24	\$71.65
5182-353	1" x 1 1/2"	15/24	\$97.75



# Straight MNPT Adapters

## ONE END MALE NATIONAL PIPE THREAD

A.Y. McDonald Service Fittings are manufactured to meet or exceed the AWWA C800 (latest revision) standard. Our service fittings are rated to withstand the same pressures as the tubing they are designed to fit. They are designed and tested for cold potable water only. EPDM rubber gaskets are used in our Compression fittings.

### 74753-34

-34 PEP-9 x MNPT



Part No.	Size	Carton PCS/WT	Price
5123-082	3/4"	25/19	\$44.02
5123-187	3/4" x 1"	25/20	\$60.59
5123-086	1"	15/21	\$63.90
5123-204	1" x 3/4"	15/19	\$71.65
5119-177	1" x 1 1/4"	15/21	\$85.95
	1" x 1 1/2"	15/24	\$97.74
5123-092	1 1/4"	10/19	\$96.80
5125-033	1 1/4" x 1"	15/28	\$102.75
	1 1/4" x 1 1/2"	10/21	\$108.65
5123-095	1 1/2"	10/22	\$151.56
	1 1/2" x 1"	10/24	\$116.41
	1 1/2" x 1 1/4"	10/25	\$139.76
5123-089	2"	6/18	\$240.86
	2" x 1"	10/31	\$147.90

### 74753-44

-44 PVC x MNPT



Part No.	Size	Carton PCS/WT	Price
5119-144	1/2"	50/25	\$39.56
5120-416	1/2" x 3/4"	50/28	\$39.56
5142-170	3/4"	25/18	\$44.02
5130-126	3/4" x 1"	25/20	\$53.83
5142-171	1"	15/21	\$68.61
5132-230	1" x 3/4"	15/20	\$65.65
5132-358	1" x 1 1/2"	15/24	\$101.56
5130-086	1 1/4"	10/16	\$104.96
5132-295	1 1/4" x 1"	15/31	\$111.25
5130-020	1 1/4" x 1 1/2"	10/16	\$117.49
5132-201	1 1/2"	10/21	\$134.97
5130-071	1 1/2" x 1"	10/20	\$122.77
5132-348	1 1/2" x 1 1/4"	10/19	\$124.22
5132-191	2"	6/19	\$196.08
5142-230	2" x 1"	10/34	\$129.17

### 74753-55

-55 IP x MNPT



Part No.	Size	Carton PCS/WT	Price
5146-133	3/4"	25/16	\$40.12
5130-036	3/4" x 1"	25/18	\$59.33
5146-134	1"	15/21	\$61.21
5132-231	1" x 3/4"	15/20	\$58.95
5132-359	1" x 1 1/2"	15/24	\$101.56
5125-240	1 1/4"	10/16	\$86.41
5132-315	1 1/2"	10/21	\$123.59
5146-245	1 1/2" x 1"	10/18	\$122.77
5132-260	2"	6/18	\$161.11
5142-231	2" x 1"	10/33	\$108.61

### 74753U

Cambridge Coupling x MNPT



Part No.	Model	Size	Compression Range		Size & Type (NPT)	Carton PCS/WT	Price
5999-078	74753U2	3/4"	0.600" - 0.900"	x	3/4" Male	4/7	\$126.54
5999-079	74753U3	3/4"	0.735" - 1.135"	x	3/4" Male	4/8	\$132.63
5999-080	74753U4	1"	1.000" - 1.400"	x	1" Male	4/11	\$153.37
5999-081	74753U5	1"	1.300" - 1.700"	x	1" Male	4/12	\$172.14
5999-093	74753U5	1 1/2"	1.300" - 1.700"	x	1 1/2" Male	4/14	\$192.90
5999-094	74753U6	1 1/2"	1.600" - 2.000"	x	1 1/2" Male	4/14	\$200.30
5999-095	74753U7	2"	1.969" - 2.381"	x	2" Male	4/16	\$218.04

## LEAD X MNPT

### 74753-66

-66 Strong Lead x MNPT



Part No.	Size	Carton PCS/WT	Price
5180-065	5/8" x 3/4"	25/18	\$56.54
5180-039	3/4"	25/19	\$59.62
5180-001	1"	15/17	\$107.59
5180-126	1" x 3/4"	15/18	\$95.67

### 74753-67

-67 XStrong Lead x MNPT



Part No.	Size	Carton PCS/WT	Price
5180-027	1/2" x 3/4"	50/27	\$33.22
5180-012	5/8" x 3/4"	25/18	\$44.02
5180-000	3/4"	25/19	\$61.33
5180-101	3/4" x 1"	25/20	\$75.10
5180-002	1"	15/16	\$88.89
5180-127	1" x 3/4"	15/17	\$82.02
5180-052	1 1/4"	10/21	\$96.80
5132-296	1 1/4" x 1"	15/29	\$96.80
5180-034	1 1/2"	10/22	\$151.56
5180-032	2"	6/23	\$301.47

### 74753-68

-68 XXStrong Lead x MNPT



Part No.	Size	Carton PCS/WT	Price
5180-064	1/2" x 3/4"	25/18	\$56.54
5180-038	5/8" x 3/4"	25/19	\$59.62
5180-049	3/4"	15/19	\$71.65
5180-040	1"	15/19	\$100.28

## OPTIONS

See page 9 for pricing of the following:

- For Handyloc - Replace "Q" with "H" or "-3Q" with "-3H" in 3/4" & 1" **only**.
- For C903 tube - Replace "Q" with "K". On "Q" Series options only 3/4" & 1" **only**.
- For valve or fitting less flare nut add "L" to end of model number.
- CTS Anode (QA) & Flare Anode (A) - Replace "Q" with "QA" or add "A" to flare.
- Insert stiffeners are **required** on all flexible plastic connections. (See page 10 for stiffeners)





## Straight MNPT Repair Adapters

### ONE END MALE NATIONAL PIPE THREAD

A.Y. McDonald Service Fittings are manufactured to meet or exceed the AWWA C800 (latest revision) standard. Our service fittings are rated to withstand the same pressures as the tubing they are designed to fit. They are designed and tested for cold potable water only. EPDM rubber gaskets are used in our Compression fittings.

#### 74753REP-22 -22 CTS x MNPT



Part No.	Size	Carton PCS/WT	Price
5183-275	3/4" x 5.25	10/11	\$60.61
5183-276	1" x 5.25	10/13	\$71.79
	1 1/2" x 5.25	10/22	\$196.64
	2" x 5.25	8/24	\$286.48

#### 74753REP-33 -33 PEP-7 x MNPT



Part No.	Size	Carton PCS/WT	Price
5183-329	3/4" x 5.25	10/13	\$76.46
	3/4" x 1" x 5.25	10/13	\$71.79
5183-333	1" x 5.25	10/19	\$102.36
5183-460	1" x 2" x 5.25	8/28	\$242.79

#### 74753REP-44 -44 PVC x MNPT



Part No.	Size	Carton PCS/WT	Price
5183-330	3/4" x 5.25	10/13	\$76.46
	3/4" x 1" x 5.25	10/13	\$71.79
5183-334	1" x 5.25	10/19	\$107.08

#### 74753REPG G CTS x MNPT



Part No.	Size	Carton PCS/WT	Price
5192-446	3/4" x 5.25	10/12	\$60.61
	1" x 5.25	10/14	\$71.79
	1 1/2" x 5.25	10/22	\$196.64
	2" x 5.25	8/24	\$286.48

#### 74753REP-3G -3G PEP-7 x MNPT



Part No.	Size	Carton PCS/WT	Price
	3/4" x 5.25	10/14	\$76.46
	3/4" x 1" x 5.25	10/13	\$93.04
	1" x 5.25	10/19	\$102.36

#### 74753REP-55 -55 IP x MNPT



Part No.	Size	Carton PCS/WT	Price
5183-331	3/4" x 5.25	10/13	\$72.56
	3/4" x 1" x 5.25	10/13	\$71.79
5183-335	1" x 5.25	10/19	\$99.67

#### 74753REPQ Q CTS x MNPT



Part No.	Size	Carton PCS/WT	Price
5183-280	3/4" x 5.25	10/11	\$60.61
5183-281	1" x 5.25	10/14	\$71.79
5183-458	1 1/2" x 5.25	10	\$196.64
5183-459	2" x 5.25	8	\$286.50

#### 74753REP-3Q -3Q PEP-7 x MNPT



Part No.	Size	Carton PCS/WT	Price
5183-332	3/4" x 5.25	10/14	\$76.46
5183-369	3/4" x 1" x 5.25	10/13	\$93.05
5183-336	1" x 5.25	10/19	\$102.36

#### 74753REP-34 -34 PEP-9 x MNPT



Part No.	Size	Carton PCS/WT	Price
	3/4" x 5.25"	10/13	\$76.46
	3/4" x 1" x 5.25"	10/13	\$71.79
	1" x 5.25"	10/19	\$102.36
	1" x 2" x 5.25"	10/19	\$242.79

#### 74753REPT T CTS x MNPT



Part No.	Size	Carton PCS/WT	Price
5117-197	3/4" x 5.25	10/11	\$60.61
5117-198	1" x 5.25	10/14	\$71.79
	1 1/2" x 5.25	10/22	\$196.64
	2" x 5.25	8/24	\$286.48

### OPTIONS

See page 9 for pricing of the following:

- For Handyloc - Replace "Q" with "H" or "-3Q" with "-3H" in 3/4" & 1" **only**.
- For C903 tube - Replace "Q" with "K". On "Q" Series options only 3/4" & 1" **only**.
- For valve or fitting less flare nut add "L" to end of model number.
- CTS Anode (QA) & Flare Anode (A) - Replace "Q" with "QA" or add "A" to flare.
- Insert stiffeners are **required** on all flexible plastic connections. (See page 10 for stiffeners)





# Straight FNPT Adapters

## ONE END FEMALE NATIONAL PIPE THREAD

A.Y. McDonald Service Fittings are manufactured to meet or exceed the AWWA C800 (latest revision) standard. Our service fittings are rated to withstand the same pressures as the tubing they are designed to fit. They are designed and tested for cold potable water only. EPDM rubber gaskets are used in our Compression fittings.

### 74754

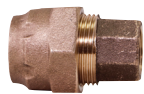
Flare x FNPT



Part No.	Size	Carton PCS/WT	Price
5119-124	1/2"	50/22	\$32.61
5122-124	1/2" x 3/4"	50/24	\$40.64
5120-141	3/4"	50/34	\$29.18
5132-347	3/4" x 1/2"	50/38	\$25.46
5121-000	3/4" x 1"	25/18	\$38.21
5121-143	1"	25/30	\$44.64
5121-142	1" x 3/4"	25/27	\$44.73
5121-022	1" x 1 1/4"	20/25	\$60.46
5121-144	1 1/4"	15/36	\$83.94
5122-143	1 1/2"	12/40	\$119.75
5122-107	1 1/2" x 2"	12/39	\$152.23
5122-144	2"	6/32	\$225.51

### 74754-11

RANGER x FNPT



Part No.	Size	Carton PCS/WT	Price
5196-001	3/4"	25/24	\$54.70
5196-024	3/4" x 1"	15/23	\$71.76
5196-004	1"	25/33	\$84.49
5196-022	1" x 3/4"	15/23	\$85.97
5196-038	1 1/4"	12/26	\$106.30
5196-041	1 1/2"	6/24	\$178.36
5196-072	2"	4/28	\$283.42

### 74754-22

-22 CTS x FNPT



Part No.	Size	Carton PCS/WT	Price
5130-010	1/2"	50/22	\$36.88
5120-417	1/2" x 3/4"	50/27	\$39.70
5140-112	3/4"	50/25	\$34.93
5131-060	3/4" x 1/2"	50/25	\$33.22
5121-001	3/4" x 1"	25/15	\$41.59
5183-247	3/4" x 1 1/4"	15/20	\$60.77
5183-245	3/4" x 1 1/2"	15/16	\$86.42
5141-135	1"	25/18	\$47.38
5121-002	1" x 3/4"	25/15	\$41.15
5131-224	1" x 1 1/4"	25/22	\$55.60
5122-049	1" x 1 1/2"	10/13	\$71.69
5141-156	1 1/4"	25/36	\$86.52
5121-006	1 1/4" x 3/4"	15/21	\$78.00
5149-125	1 1/4" x 1"	25/30	\$73.85
5141-169	1 1/2"	10/18	\$137.84
5131-313	1 1/2" x 1"	10/18	\$124.21
5131-094	1 1/2" x 1 1/4"	15/24	\$103.06
5141-182	2"	10/24	\$164.07
5125-112	2" x 1"	10/26	\$104.57
5131-096	2" x 1 1/2"	10/24	\$138.95
5131-479	2 1/2"	4/17	\$288.57

### 74754QC

Q CTS x FNPT



Part No.	Size	Carton PCS/WT	Price
5998-003	1/2"	50/38	\$36.88

### 74754G

G CTS x FNPT



Part No.	Size	Carton PCS/WT	Price
5192-023	3/4"	50/32	\$34.93
5192-236	3/4" x 1/2"	50/34	\$33.22
5192-263	3/4" x 1"	25/18	\$41.59
	3/4" x 1 1/4"	15/18	\$60.77
	3/4" x 1 1/2"	15/24	\$86.41
5192-003	1"	25/22	\$47.38
5192-058	1" x 3/4"	25/22	\$41.15
5192-228	1" x 1 1/4"	25/27	\$55.60
5192-266	1" x 1 1/2"	10/18	\$71.69
5192-095	1 1/4"	15/25	\$86.52
	1 1/4" x 3/4"	25/35	\$78.02
5192-318	1 1/4" x 1"	25/32	\$73.85
5192-011	1 1/2"	15/27	\$137.84
5192-295	1 1/2" x 1"	15/23	\$124.21
	1 1/2" x 1 1/4"	15/22	\$103.05
5192-007	2"	10/24	\$164.07
	2" x 1"	10/20	\$104.57

### 74754Q

Q CTS x FNPT



Part No.	Size	Carton PCS/WT	Price
5182-016	3/4"	50/28	\$34.93
5141-378	3/4" x 1/2"	50/29	\$33.22
5182-008	3/4" x 1"	25/16	\$41.59
5183-246	3/4" x 1 1/4"	15/18	\$60.77
5183-244	3/4" x 1 1/2"	15/24	\$86.42
5182-063	1"	25/21	\$47.38
5182-290	1" x 3/4"	25/19	\$41.15
5182-077	1" x 1 1/4"	25/24	\$55.60
5183-123	1" x 1 1/2"	10/14	\$71.69
5182-124	1 1/4"	15/23	\$86.52
5182-300	1 1/4" x 3/4"	25/35	\$78.02
5182-294	1 1/4" x 1"	25/31	\$73.85
5182-108	1 1/2"	15/22	\$137.84
5131-314	1 1/2" x 1"	15/22	\$124.21
5182-411	1 1/2" x 1 1/4"	15/22	\$103.06
5182-087	2"	10/21	\$164.07
5125-111	2" x 1"	10/20	\$104.57

### OPTIONS

See page 9 for pricing of the following:

- For Handyloc - Replace "Q" with "H" or "-3Q" with "-3H" in 3/4" & 1" **only**.
- For C903 tube - Replace "Q" with "K". On "Q" Series options only 3/4" & 1" **only**.
- For valve or fitting less flare nut add "L" to end of model number.
- CTS Anode (QA) & Flare Anode (A) - Replace "Q" with "QA" or add "A" to flare.
- Insert stiffeners are **required** on all flexible plastic connections. (See page 10 for stiffeners)

### 74754-3G

-3G PEP-7 x FNPT



Part No.	Size	Carton PCS/WT	Price
5192-089	3/4"	25/22	\$42.99
5192-196	3/4" x 1"	25/23	\$60.73
5192-265	3/4" x 1 1/2"	10/18	\$101.47
5192-186	1"	25/35	\$55.00
5192-198	1" x 3/4"	25/37	\$59.77
5192-099	1" x 1 1/4"	15/21	\$66.43

### 74754T

T CTS x FNPT



Part No.	Size	Carton PCS/WT	Price
5130-116	3/4"	50/27	\$34.93
5131-064	3/4" x 1/2"	50/29	\$33.22
5121-011	3/4" x 1"	25/16	\$41.59
	3/4" x 1 1/4"	15/18	\$60.77
	3/4" x 1 1/2"	15/24	\$86.41
5130-117	1"	25/19	\$47.38
5121-008	1" x 3/4"	25/18	\$41.15
5131-228	1" x 1 1/4"	25/22	\$55.60
5122-048	1" x 1 1/2"	10/18	\$71.69
5131-101	1 1/4"	15/21	\$86.52
5121-007	1 1/4" x 3/4"	15/17	\$78.02
5149-050	1 1/4" x 1"	25/30	\$73.85
5131-102	1 1/2"	10/14	\$137.84
5131-315	1 1/2" x 1"	10/14	\$124.21
5131-095	1 1/2" x 1 1/4"	15/20	\$103.06
5131-103	2"	10/20	\$164.07
	2" x 1"	10/20	\$104.57
5131-097	2" x 1 1/2"	10/18	\$138.95

Service Fittings

## Straight FNPT Adapters

### ONE END FEMALE NATIONAL PIPE THREAD

A.Y. McDonald Service Fittings are manufactured to meet or exceed the AWWA C800 (latest revision) standard. Our service fittings are rated to withstand the same pressures as the tubing they are designed to fit. They are designed and tested for cold potable water only. EPDM rubber gaskets are used in our Compression fittings.

#### 74754-33

-33 PEP-7 x FNPT



Part No.	Size	Carton PCS/WT	Price
5142-124	3/4"	50/35	\$42.99
5130-125	3/4" x 1"	25/19	\$60.73
5122-045	3/4" x 1 1/2"	10/18	\$101.47
5142-125	1"	25/30	\$55.00
5121-003	1" x 3/4"	15/20	\$59.77
5131-225	1" x 1 1/4"	25/37	\$74.04
5131-042	1 1/4"	10/21	\$79.27
5141-404	1 1/4" x 1"	15/32	\$73.71
5131-013	1 1/4" x 1 1/2"	10/27	\$105.13
5131-018	1 1/2"	10/22	\$135.30
5125-102	1 1/2" x 1"	10/26	\$104.57
5131-029	2"	6/22	\$218.34
5142-237	2" x 3/4"	10/26	\$126.43
5142-238	2" x 1"	10/34	\$132.64

#### 74754-34

-34 PEP-9 x FNPT



Part No.	Size	Carton PCS/WT	Price
5123-083	3/4"	25/19	\$42.99
5123-196	3/4" x 1"	25/19	\$60.73
	3/4" x 1 1/2"	10/18	\$101.46
5123-087	1"	25/30	\$55.00
5123-205	1" x 3/4"	15/20	\$59.77
	1" x 1 1/4"	25/37	\$74.03
5123-093	1 1/4"	10/21	\$79.27
5125-034	1 1/4" x 1"	15/32	\$73.71
	1 1/4" x 1 1/2"	10/27	\$105.12
5123-096	1 1/2"	10/23	\$135.30
5125-234	1 1/2" x 1"	10/26	\$104.57
5123-090	2"	6/22	\$218.34
	2" x 3/4"	10/26	\$126.43
	2" x 1"	10/34	\$132.64

#### 74754-44

-44 PVC x FNPT



Part No.	Size	Carton PCS/WT	Price
5120-426	1/2"	50/26	\$34.70
5120-415	1/2" x 3/4"	50/25	\$39.26
5132-288	1/2" x 1"	50/31	\$43.47
5142-172	3/4"	50/33	\$43.68
5130-127	3/4" x 1"	25/19	\$60.73
5122-046	3/4" x 1 1/2"	10/18	\$101.47
5142-173	1"	25/30	\$67.36
5121-004	1" x 3/4"	15/20	\$68.82
5131-226	1" x 1 1/4"	20/36	\$74.85
5131-478	1 1/4"	10/22	\$82.33
5130-021	1 1/4" x 1 1/2"	10/17	\$105.58
5132-202	1 1/2"	10/25	\$167.66
5130-070	1 1/2" x 3/4"	10/20	\$121.93
5131-475	1 1/2" x 1"	10/21	\$137.21
5142-261	1 1/2" x 1 1/4"	10/20	\$152.43
5132-192	2"	6/23	\$225.36
5142-244	2" x 3/4"	10/40	\$174.21
5142-246	2" x 1"	10/38	\$191.26

#### 74754-3Q

-3Q PEP-7 x FNPT



Part No.	Size	Carton PCS/WT	Price
5182-289	3/4"	50/39	\$42.99
5182-347	3/4" x 1"	25/121	\$60.73
5183-122	3/4" x 1 1/2"	10/14	\$101.47
5182-293	1"	25/31	\$55.00
5182-299	1" x 3/4"	25/33	\$59.77
	1" x 1 1/4"	15/21	\$66.43

#### 74754U

Cambridge Coupling x FNPT



Part No.	Model	Size	Compression Range	Size & Type (NPT)	Carton PCS/WT	Price
5999-082	74754U2	3/4"	0.600" - 0.900"	x 3/4" Female	4/8	\$127.96
5999-083	74754U3	3/4"	0.735" - 1.135"	x 3/4" Female	4/9	\$134.06
5999-084	74754U4	1"	1.000" - 1.400"	x 1" Female	4/11	\$155.41
5999-085	74754U5	1"	1.300" - 1.700"	x 1" Female	4/13	\$174.07
5999-090	74754U5	1 1/2"	1.300" - 1.700"	x 1 1/2" Female	4/14	\$189.92
5999-091	74754U6	1 1/2"	1.600" - 2.000"	x 1 1/2" Female	4/13	\$194.69
5999-092	74754U7	2"	1.969" - 2.381"	x 2" Female	4/15	\$216.34

#### LEAD X FNPT

#### 74754-66

-66 Strong Lead x FNPT



Part No.	Size	Carton PCS/WT	Price
5180-003	5/8" x 3/4"	25/21	\$56.35
5180-004	3/4"	25/19	\$57.13
5180-134	1"	15/17	\$94.21

#### 74754-67

-67 XStrong Lead x FNPT



Part No.	Size	Carton PCS/WT	Price
5180-036	5/8" x 3/4"	50/34	\$43.09
5180-087	5/8" x 1"	25/19	\$94.18
5180-037	3/4"	25/20	\$81.98
5180-124	1"	15/17	\$94.25

#### 74754-68

-68 XXStrong Lead x FNPT



Part No.	Size	Carton PCS/WT	Price
5180-028	1/2" x 3/4"	25/22	\$56.35
5180-029	5/8" x 3/4"	25/19	\$57.13
5180-051	3/4"	15/20	\$59.77
5180-125	1"	15/21	\$106.37

#### OPTIONS

See page 9 for pricing of the following:

- For Handyloc - Replace "Q" with "H" or "-3Q" with "-3H" in 3/4" & 1" **only**.
- For C903 tube - Replace "Q" with "K". On "Q" Series options only 3/4" & 1" **only**.
- For valve or fitting less flare nut add "L" to end of model number.
- CTS Anode (QA) & Flare Anode (A) - Replace "Q" with "QA" or add "A" to flare.
- Insert stiffeners are **required** on all flexible plastic connections. (See page 10 for stiffeners)



# Straight FNPT Adapters with Plug

## ADAPTER ASSEMBLIES TO CAP SERVICE LINES

A.Y. McDonald Service Fittings are manufactured to meet or exceed the AWWA C800 (latest revision) standard. Our service fittings are rated to withstand the same pressures as the tubing they are designed to fit. They are designed and tested for cold potable water only. EPDM rubber gaskets are used in our Compression fittings.

### 74754-22PLUG

-22 CTS x FNPT with Plug  
Assembled Water Tight



Part No.	Size	Carton PCS/WT	Price
5123-015	3/4"	25/19	\$61.94
5122-102	1"	25/25	\$76.56
	1 1/4"	10/22	\$148.11
	1 1/2"	10/26	\$206.54
5119-175	2"	10/38	\$247.97

### 74754-TPLUG

T CTS x FNPT with Plug  
Assembled Water Tight



Part No.	Size	Carton PCS/WT	Price
	3/4"	25/19	\$61.94
	1"	25/25	\$76.55
	1 1/4"	10/22	\$148.11
	1 1/2"	10/26	\$206.54
	2"	10/38	\$247.97

### 74754-34PLUG

-34 PEP-9 x FNPT with Plug  
Assembled Water Tight



Part No.	Size	Carton PCS/WT	Price
	3/4"	25/25	\$61.94
	1"	25/38	\$84.57
	1 1/4"	10/26	\$140.50
	1 1/2"	10/35	\$203.86
	2"	10/40	\$304.95

### 74754GPLUG

G CTS x FNPT with Plug  
Assembled Water Tight



Part No.	Size	Carton PCS/WT	Price
	3/4"	25/19	\$61.94
	1"	25/25	\$76.55
	1 1/4"	10/22	\$148.11
	1 1/2"	10/26	\$206.54
	2"	10/38	\$247.97

### 74754-33PLUG

-33 PEP-7 x FNPT with Plug  
Assembled Water Tight



Part No.	Size	Carton PCS/WT	Price
	3/4"	25/25	\$61.94
5122-103	1"	25/38	\$84.57
	1 1/4"	10/26	\$140.50
	1 1/2"	10/35	\$203.86
	2"	10/40	\$304.95

### 74754-44PLUG

-44 PVC x FNPT with Plug  
Assembled Water Tight



Part No.	Size	Carton PCS/WT	Price
	3/4"	25/25	\$61.94
5122-104	1"	25/38	\$84.57
	1 1/4"	10/26	\$140.50
	1 1/2"	10/35	\$203.86
	2"	10/40	\$304.95

### 74754QPLUG

Q CTS x FNPT with Plug  
Assembled Water Tight



Part No.	Size	Carton PCS/WT	Price
	3/4"	25/19	\$61.94
	1"	25/25	\$76.55
	1 1/4"	10/22	\$148.11
	1 1/2"	10/26	\$206.54
5119-178	2"	10/38	\$247.97

### 74754-3GPLUG

-3G PEP-7 x FNPT with Plug  
Assembled Water Tight



Part No.	Size	Carton PCS/WT	Price
	3/4"	25/25	\$61.94
	1"	25/38	\$84.57
	1 1/4"	10/26	\$140.50
	1 1/2"	10/35	\$203.86
	2"	10/40	\$304.95

### 74754-55PLUG

-55 IP x FNPT with Plug  
Assembled Water Tight



Part No.	Size	Carton PCS/WT	Price
	3/4"	25/25	\$61.94
	1"	25/38	\$84.57
	1 1/4"	10/26	\$140.50
	1 1/2"	10/35	\$203.86
	2"	10/40	\$304.95

### 74754-3QPLUG

-3Q PEP-7 x FNPT with Plug  
Assembled Water Tight



Part No.	Size	Carton PCS/WT	Price
	3/4"	25/25	\$61.94
	1"	25/38	\$84.57
	1 1/4"	10/26	\$140.50
	1 1/2"	10/35	\$203.86
	2"	10/40	\$304.95

## OPTIONS

See page 9 for pricing of the following:

- For Handyloc - Replace "Q" with "H" or "-3Q" with "-3H" in 3/4" & 1" **only**.
- For C903 tube - Replace "Q" with "K". On "Q" Series options only 3/4" & 1" **only**.
- For valve or fitting less flare nut add "L" to end of model number.
- CTS Anode (QA) & Flare Anode (A) - Replace "Q" with "QA" or add "A" to flare.
- Insert stiffeners are **required** on all flexible plastic connections. (See page 10 for stiffeners)

Service Fittings

## Straight Female Flare Adapters

### ONE END FEMALE COPPER FLARE

A.Y. McDonald Service Fittings are manufactured to meet or exceed the AWWA C800 (latest revision) standard. Our service fittings are rated to withstand the same pressures as the tubing they are designed to fit. They are designed and tested for cold potable water only. EPDM rubber gaskets are used in our Compression fittings.

The 74755 series fittings are designed to connect any A.Y. McDonald flare end to a different size or end connection.

- Note: 4755GSKT copper gasket included with all 74755 connections.

#### 74755M

MNPT x Female Flare



Part No.	Size	Carton PCS/WT	Price
5121-491	1/2" x 3/4"	25/9	\$26.34
5129-099	3/4"	25/8	\$19.10
5129-098	1"	25/13	\$33.39
5129-097	1 1/2"	10/14	\$72.40
5129-096	2"	10/22	\$123.12

#### 74755

Flare x Female Flare



Part No.	Size	Carton PCS/WT	Price
5121-168	1/2" x 3/4"	25/13	\$24.63
5122-029	3/4" x 1/2"	25/22	\$29.40
5130-024	3/4" x 1"	25/17	\$44.27
5121-198	1" x 3/4"	25/32	\$44.73
5121-167	1" x 1 1/4"	20/33	\$86.52
5121-164	1" x 1 1/2"	10/19	\$134.02
5121-165	1" x 2"	10/26	\$190.29
5121-199	1 1/4" x 1"	15/40	\$90.50
5121-166	1 1/4" x 1 1/2"	10/24	\$155.14
5121-163	1 1/4" x 2"	10/34	\$230.97
5120-497	1 1/2" x 1"	10/34	\$124.21
5123-013	1 1/2" x 1 1/4"	10/38	\$140.36
5121-161	1 1/2" x 2"	10/40	\$250.07

#### 74755G

G CTS x Female Flare



Part No.	Size	Carton PCS/WT	Price
5192-082	3/4"	25/19	\$37.81
	3/4" x 1/2"	25/14	\$42.26
5192-300	3/4" x 1"	25/23	\$47.20
5192-083	1"	25/26	\$55.54
5192-302	1" x 3/4"	25/30	\$44.05
5142-272	1" x 1 1/4"	20/30	\$59.85
	1" x 1 1/2"	10/16	\$106.31
5192-349	1 1/4"	10/18	\$92.09
	1 1/4" x 3/4"	25/38	\$68.52
	1 1/4" x 1"	15/24	\$74.07
	1 1/4" x 2"	10/29	\$168.46
5192-262	1 1/2"	10/25	\$116.67
	1 1/2" x 2"	10/35	\$200.44
5192-332	2"	6/23	\$200.14

#### 74755F

FNPT x Female Flare



Part No.	Size	Carton PCS/WT	Price
5122-034	1/2"	25/11	\$20.57
5120-032	3/4"	25/11	\$24.11
5122-033	3/4" x 1/2"	25/10	\$24.11
5130-406	1"	25/15	\$40.76
5121-081	1" x 3/4"	25/19	\$40.36
5121-083	1" x 1 1/4"	20/24	\$89.43
5121-084	1" x 1 1/2"	20/28	\$107.30
5121-087	1" x 2"	10/22	\$164.01
5120-428	1 1/4"	20/26	\$62.42
5121-082	1 1/4" x 1"	25/27	\$78.33
5121-085	1 1/4" x 1 1/2"	20/29	\$100.00
5121-088	1 1/4" x 2"	10/26	\$176.84
5121-086	1 1/2"	20/28	\$86.71
5121-089	1 1/2" x 2"	10/22	\$177.05
5121-090	2"	10/23	\$148.61
5142-227	2" x 1 1/2"	10/20	\$98.62
5142-431	2 1/2" x 2"	10/32	\$177.28

#### 74755-22

-22 CTS x Female Flare



Part No.	Size	Carton PCS/WT	Price
5121-048	1/2" x 3/4"	25/15	\$41.03
5149-180	3/4"	25/15	\$37.81
5122-032	3/4" x 1/2"	25/14	\$42.27
5132-329	3/4" x 1"	25/19	\$47.13
5149-181	1"	25/21	\$55.54
5142-154	1" x 3/4"	25/25	\$44.05
5121-046	1" x 1 1/4"	20/26	\$59.85
5121-042	1" x 1 1/2"	10/16	\$106.32
5121-038	1" x 2"	10/24	\$147.44
5122-067	1 1/4"	10/16	\$92.09
5142-155	1 1/4" x 1"	15/24	\$74.07
5121-044	1 1/4" x 1 1/2"	10/20	\$126.69
5121-040	1 1/4" x 2"	10/29	\$168.46
5142-226	1 1/2"	10/25	\$128.35
5121-036	1 1/2" x 2"	10/35	\$200.44
5142-229	2"	6/25	\$200.14

#### 74755Q

Q CTS x Female Flare



Part No.	Size	Carton PCS/WT	Price
5182-009	3/4"	25/16	\$37.81
5122-031	3/4" x 1/2"	25/15	\$42.27
5182-318	3/4" x 1"	25/21	\$47.13
5182-076	1"	25/25	\$55.54
5182-273	1" x 3/4"	25/29	\$44.05
5142-271	1" x 1 1/4"	20/29	\$59.85
5183-270	1" x 1 1/2"	10/17	\$106.32
5183-218	1 1/4"	10/17	\$92.09
5183-220	1 1/4" x 3/4"	25/38	\$68.52
5182-117	1 1/4" x 1"	15/25	\$74.07
5182-116	1 1/4" x 2"	10/29	\$168.46
5182-391	1 1/2"	10/22	\$128.35
5182-097	1 1/2" x 2"	10/31	\$200.44
5182-392	2"	6/21	\$200.14

### OPTIONS

See page 9 for pricing of the following:

- For Handyloc - Replace "Q" with "H" or "-3Q" with "-3H" in 3/4" & 1" **only**.
- For C903 tube - Replace "Q" with "K". On "Q" Series options only 3/4" & 1" **only**.
- For valve or fitting less flare nut add "L" to end of model number.
- CTS Anode (QA) & Flare Anode (A) - Replace "Q" with "QA" or add "A" to flare.
- Insert stiffeners are **required** on all flexible plastic connections. (See page 10 for stiffeners)



# Straight Female Flare Adapters

## ONE END FEMALE COPPER FLARE

A.Y. McDonald Service Fittings are manufactured to meet or exceed the AWWA C800 (latest revision) standard. Our service fittings are rated to withstand the same pressures as the tubing they are designed to fit. They are designed and tested for cold potable water only. EPDM rubber gaskets are used in our Compression fittings.

The 74755 series fittings are designed to connect any A.Y. McDonald flare end to a different size or end connection.

- Note: 4755GSKT copper gasket included with all 74755 connections.

### 74755T

T CTS x Female Flare



Part No.	Size	Carton PCS/WT	Price
5149-189	3/4"	25/17	\$37.81
5122-030	3/4" x 1/2"	25/15	\$42.27
5132-328	3/4" x 1"	25/21	\$47.13
5149-190	1"	25/25	\$55.54
5132-161	1" x 3/4"	25/27	\$44.05
5121-047	1" x 1 1/4"	20/34	\$59.85
5121-043	1" x 1 1/2"	10/16	\$106.32
5121-039	1" x 2"	10/23	\$147.44
5122-068	1 1/4"	10/24	\$92.09
5132-162	1 1/4" x 1"	15/22	\$74.07
5121-045	1 1/4" x 1 1/2"	10/20	\$126.69
5121-041	1 1/4" x 2"	10/28	\$168.46
5142-225	1 1/2"	10/21	\$128.35
5121-037	1 1/2" x 2"	10/30	\$200.44
5142-228	2"	6/20	\$200.14

### 74755TFT

T CTS x Female Flare



Part No.	Size	Carton PCS/WT	Price
5142-428	2"	6/26	\$200.26

### 74755-33

-33 PEP-7 x Female Flare



Part No.	Size	Carton PCS/WT	Price
5142-156	3/4"	25/26	\$45.88
5142-157	1"	15/24	\$74.04
5123-014	1" x 3/4"	25/34	\$92.09
5125-077	3/4" x 1"	25/22	\$71.29
5122-065	1" x 1 1/4"	10/17	\$65.79
5122-057	1 1/4"	10/28	\$105.76
5142-425	1 1/2"	10/33	\$163.96
5142-432	2"	6/27	\$283.21

### 74755-3G

-3G PEP-7 x Female Flare



Part No.	Size	Carton PCS/WT	Price
5192-470	3/4"	25/30	\$45.88
5125-076	3/4" x 1"	25/25	\$71.29
5192-307	1"	15/25	\$74.04
5192-489	1" x 3/4"	25/35	\$65.78
5192-348	1" x 1 1/4"	10/19	\$92.09
5125-202	1" x 1 1/2"	10/19	\$124.82

### 74755-3Q

-3Q PEP-7 x Female Flare



Part No.	Size	Carton PCS/WT	Price
5182-272	3/4"	25/30	\$45.88
5182-241	1"	15/24	\$74.04
5183-267	1" x 3/4"	25/35	\$65.79
5183-217	1" x 1 1/4"	10/18	\$92.09

### 74755-34

-34 PEP-9 x Female Flare



Part No.	Size	Carton PCS/WT	Price
5123-177	3/4"	25/26	\$45.88
5123-200	1"	15/24	\$74.04
	1" x 1 1/4"	25/34	\$65.78
	1" x 3/4"	10/17	\$92.09
	1 1/4"	10/28	\$105.76
5117-165	1 1/2"	10/33	\$163.96
	2"	6/27	\$283.20

### 74755-44

-44 PVC x Female Flare



Part No.	Size	Carton PCS/WT	Price
5142-191	3/4"	25/25	\$45.88
5142-192	1"	15/24	\$74.04
	1" x 3/4"	25/38	\$65.79
5122-066	1" x 1 1/4"	10/18	\$92.09
5142-045	1" x 2"	10/28	\$168.46
5122-056	1 1/4"	16/32	\$105.76
5142-426	1 1/2"	10/31	\$163.96
5142-429	2"	6/28	\$283.21

### 74755-55

-55 IP x Female Flare



Part No.	Size	Carton PCS/WT	Price
5146-137	3/4"	25/25	\$45.95
5146-138	1"	15/25	\$76.84
5122-069	1" x 3/4"	25/38	\$68.52
	1" x 1 1/4"	10/18	\$92.09
	1" x 2"	10/28	\$168.46
	1 1/4"	20/34	\$105.76
5142-427	1 1/2"	10/20	\$178.06
5142-430	2"	6/28	\$254.61

### 4755GSKT

Copper Gasket for 74755 Connection



Part No.	Size	Carton PCS/WT	Price
4122-035	1/2"	25/1	\$2.74
4121-068	3/4"	25/1	\$2.74
4121-069	1"	25/1	\$3.89
4121-070	1 1/4"	10/1	\$4.40
4121-071	1 1/2"	10/1	\$6.25
4121-072	2"	10/1	\$7.90

### 76130CC

Female Flare x Copper Tube Compression Coupling



Part No.	Size	Carton PCS/WT	Price
5130-165	3/4"	40/20	\$37.21
5130-168	1"	40/30	\$52.67

### 76130CE

Female Flare x CTS PE Compression Coupling includes Stiffener



Part No.	Size	Carton PCS/WT	Price
5130-167	3/4"	40/19	\$37.21
5130-170	1"	40/31	\$52.67

### 74660

Female Flare x PEP-7 or -9 Barb



Part No.	Size	Carton PCS/WT	Price
5120-177	3/4"	50/21	\$25.39
5121-177	1"	50/30	\$41.06

## OPTIONS

See page 9 for pricing of the following:

- For Handyloc - Replace "Q" with "H" or "-3Q" with "-3H" in 3/4" & 1" **only**.
- For C903 tube - Replace "Q" with "K". On "Q" Series options only 3/4" & 1" **only**.
- For valve or fitting less flare nut add "L" to end of model number.
- CTS Anode (QA) & Flare Anode (A) - Replace "Q" with "QA" or add "A" to flare.
- Insert stiffeners are **required** on all flexible plastic connections. (See page 10 for stiffeners)





## Straight Couplings

### SAME CONNECTIONS ON BOTH ENDS - NO INTERNAL PIPE STOP ON STRAIGHT SIZES

A.Y. McDonald Service Fittings are manufactured to meet or exceed the AWWA C800 (latest revision) standard. Our service fittings are rated to withstand the same pressures as the tubing they are designed to fit. They are designed and tested for cold potable water only. EPDM rubber gaskets are used in our Compression fittings.

#### 74758

Flare x Flare



Part No.	Size	Carton PCS/WT	Price
5119-126	1/2"	50/28	\$41.81
5120-097	1/2" x 3/4"	40/36	\$32.21
5120-144	3/4"	25/25	\$37.28
5121-195	3/4" x 1"	25/39	\$55.26
5121-147	1"	20/33	\$65.33
5125-135	1" x 1 1/4"	16/33	\$99.69
5121-148	1 1/4"	10/33	\$134.02
5122-147	1 1/2"	6/30	\$196.07
5122-148	2"	4/33	\$319.94

#### 74758-11

RANGER x RANGER



Part No.	Size	Carton PCS/WT	Price
5196-002	3/4"	20/33	\$81.09
5196-010	3/4" x 1"	15/35	\$108.75
5196-005	1"	15/36	\$134.58
5196-039	1 1/4"	10/39	\$191.82
5196-042	1 1/2"	4/18	\$260.90
5196-073	2"	3/37	\$412.12

#### 74758-22

-22 CTS x -22 CTS



Part No.	Size	Carton PCS/WT	Price
5130-120	1/2"	50/32	\$42.29
5130-011	1/2" x 3/4"	25/19	\$41.41
5140-111	3/4"	25/22	\$40.43
5140-122	3/4" x 1"	25/24	\$46.98
5130-077	3/4" x 1 1/4"	15/24	\$87.30
5141-375	13/16	25/20	\$62.25
5141-374	13/16 x 3/4"	25/19	\$51.35
5141-134	1"	25/28	\$46.26
5130-000	1" x 1 1/4"	15/27	\$74.67
5140-018	1" x 1 1/2"	15/30	\$110.59
5125-110	1" x 2"	10/26	\$127.66
5141-157	1 1/4"	10/19	\$79.86
5129-090	1 1/4" x 1 1/2"	10/24	\$128.17
5180-111	1 1/4" x 2"	10/32	\$160.51
5141-170	1 1/2"	10/27	\$154.77
5131-066	1 1/2" x 2"	10/30	\$168.63
5141-183	2"	5/20	\$209.00
5131-446	2 1/2"	4/21	\$309.46

#### 74758G

G CTS x G CTS



Part No.	Size	Carton PCS/WT	Price
5192-024	3/4"	25/28	\$40.43
5192-028	3/4" x 1"	25/33	\$46.98
5192-334	3/4" x 1 1/4"	20/37	\$87.30
5192-004	1"	25/40	\$46.26
5192-333	1" x 1 1/4"	15/32	\$74.67
5192-175	1" x 1 1/2"	15/33	\$110.59
5192-096	1 1/4"	10/22	\$79.86
	1 1/4" x 1 1/2"	10/24	\$128.16
5192-012	1 1/2"	10/29	\$154.77
5192-008	2"	10/37	\$209.00

#### 74758Q

Q CTS x Q CTS



Part No.	Size	Carton PCS/WT	Price
5182-004	3/4"	25/24	\$40.43
5182-010	3/4" x 1"	25/29	\$46.98
5182-298	3/4" x 1 1/4"	20/33	\$87.30
5182-001	1"	25/36	\$46.26
5182-122	1" x 1 1/4"	15/30	\$74.67
5182-154	1" x 1 1/2"	15/27	\$110.59
5125-109	1" x 2"	10/24	\$127.66
5182-147	1 1/4"	10/20	\$79.86
5183-345	1 1/4" x 1 1/2"	10/21	\$128.17
5182-104	1 1/2"	10/24	\$154.77
5182-079	2"	10/31	\$209.00

#### 74758T

T CTS x T CTS



Part No.	Size	Carton PCS/WT	Price
5130-114	3/4"	25/23	\$40.43
5132-126	3/4" x 1"	25/28	\$46.98
5130-096	3/4" x 1 1/4"	15/23	\$87.30
5130-115	1"	25/33	\$46.26
5130-042	1" x 1 1/4"	15/28	\$74.67
5140-019	1" x 1 1/2"	15/25	\$110.59
5131-104	1 1/4"	10/20	\$79.86
5129-091	1 1/4" x 1 1/2"	10/18	\$128.17
5131-105	1 1/2"	10/21	\$154.77
5131-067	1 1/2" x 2"	10/22	\$168.63
5131-106	2"	10/30	\$209.00

#### 74758QC

Q CTS x Q CTS



Part No.	Size	Carton PCS/WT	Price
5998-002	1/2"	25/22	\$42.25
5998-006	1/2" x 5/8"	25/22	\$46.49
5998-007	1/2" x 3/4"	25/24	\$41.41
5998-005	5/8"	25/20	\$50.87
5998-008	5/8" x 3/4"	25/22	\$40.00

Not interchangeable with any A.Y. McDonald compression system

#### 74758-33

-33 PEP-7 x -33 PEP-7



Part No.	Size	Carton PCS/WT	Price
5142-126	3/4"	25/29	\$50.52
5130-004	3/4" x 1"	15/27	\$78.15
5125-117	3/4" x 1 1/4"	10/28	\$127.66
5142-239	3/4" x 2"	10/38	\$167.38
5142-127	1"	10/18	\$100.92
5180-110	1" x 1 1/2"	10/28	\$160.51
5131-010	1 1/4"	5/18	\$142.71
5131-019	1 1/2"	5/19	\$219.86
5131-030	2"	4/19	\$296.27

#### 74758-3G

-3G PEP-7 x -3G PEP-7



Part No.	Size	Carton PCS/WT	Price
5192-090	3/4"	20/33	\$50.52
5192-229	3/4" x 1"	15/33	\$78.15
5192-100	1"	10/24	\$100.92

#### 74758-3Q

-3Q PEP-7 x -3Q PEP-7



Part No.	Size	Carton PCS/WT	Price
5182-274	3/4"	25/36	\$50.52
5182-252	3/4" x 1"	15/30	\$78.15
5182-237	1"	10/19	\$100.92

### OPTIONS

See page 9 for pricing of the following:

- For Handyloc - Replace "Q" with "H" or "-3Q" with "-3H" in 3/4" & 1" **only**.
- For C903 tube - Replace "Q" with "K". On "Q" Series options only 3/4" & 1" **only**.
- For valve or fitting less flare nut add "L" to end of model number.
- CTS Anode (QA) & Flare Anode (A) - Replace "Q" with "QA" or add "A" to flare.
- Insert stiffeners are **required** on all flexible plastic connections. (See page 10 for stiffeners)





# Straight Couplings

**SAME CONNECTIONS ON BOTH ENDS - NO INTERNAL PIPE STOP ON STRAIGHT SIZES**

A.Y. McDonald Service Fittings are manufactured to meet or exceed the AWWA C800 (latest revision) standard. Our service fittings are rated to withstand the same pressures as the tubing they are designed to fit. They are designed and tested for cold potable water only. EPDM rubber gaskets are used in our Compression fittings.

## 74758-34

-34 PEP-9 x -34 PEP-9



Part No.	Size	Carton PCS/WT	Price
5123-084	3/4"	25/30	\$50.52
5123-179	3/4" x 1"	15/27	\$78.15
	3/4" x 1 1/2"	10/27	\$127.66
	3/4" x 2"	10/38	\$167.38
5123-088	1"	10/19	\$100.92
	1" x 1 1/2"	10/28	\$160.50
5123-094	1 1/4"	5/17	\$142.71
5123-097	1 1/2"	5/22	\$219.86
5123-091	2"	4/20	\$296.27

## 74758-44

-44 PVC x -44 PVC



Part No.	Size	Carton PCS/WT	Price
5131-279	1/2"	25/21	\$40.43
5142-174	3/4"	25/30	\$59.05
5130-005	3/4" x 1"	15/27	\$80.58
5183-307	3/4" x 1 1/2"	15/33	\$127.46
5142-249	3/4" x 2"	10/40	\$171.73
5142-175	1"	10/19	\$100.28
5130-022	1 1/4"	10/26	\$143.88
5117-174	1 1/4" x 2"	6/26	\$219.94
5132-203	1 1/2"	5/15	\$195.69
5132-193	2"	4/20	\$296.00
5125-134	2" x 2 1/2"	4/24	\$414.27

## 74758-55

-55 IP x -55 IP



Part No.	Size	Carton PCS/WT	Price
5146-140	3/4"	25/26	\$44.53
5130-006	3/4" x 1"	15/27	\$57.49
5142-251	3/4" x 2"	10/38	\$119.35
5146-141	1"	10/20	\$78.62
5125-242	1 1/4"	10/26	\$105.94
5132-317	1 1/2"	5/16	\$153.37
5132-262	2"	4/20	\$201.90

## 74758U

Cambridge Coupling x Cambridge Coupling



Part No.	Model	Compression Range		Compression Range	Carton PCS/WT	Price
5999-074	74758U2	0.600" - 0.900"	x	0.600" - 0.900"	4/11	\$189.24
5999-075	74758U2U3	0.600" - 0.900"	x	0.735" - 1.135"	4/12	\$195.63
5999-036	74758U3	0.735" - 1.135"	x	0.735" - 1.135"	4/13	\$198.35
5999-037	74758U3U4	0.735" - 1.135"	x	1.000" - 1.400"	4/14	\$210.85
5999-038	74758U4	1.000" - 1.400"	x	1.000" - 1.400"	4/14	\$206.95
5999-076	74758U4U5	1.000" - 1.400"	x	1.300" - 1.700"	4/18	\$246.48
5999-077	74758U5	1.300" - 1.700"	x	1.300" - 1.700"	4/20	\$265.65
5999-086	74758U5U6	1.300" - 1.700"	x	1.600" - 2.000"	4/21	\$289.12
5999-087	74758U6	1.600" - 2.000"	x	1.600" - 2.000"	4/21	\$294.38
5999-088	74758U6U7	1.600" - 2.000"	x	1.969" - 2.381"	4/24	\$324.56
5999-089	74758U7	1.969" - 2.381"	x	1.969" - 2.381"	4/24	\$336.64

## LEAD X LEAD

### 74758-66

-66 Strong Lead x -66 Strong Lead



Part No.	Size	Carton PCS/WT	Price
5180-104	5/8"	25/30	\$67.91
5180-005	3/4"	25/25	\$67.91
5180-009	1"	10/18	\$142.02

### 74758-67

-67 XStrong Lead x -67 XStrong Lead



Part No.	Size	Carton PCS/WT	Price
5180-053	1/2"	25/20	\$40.43
5180-046	5/8"	25/33	\$50.52
5180-047	3/4"	25/39	\$83.08
5180-048	1"	10/23	\$156.30
5180-055	1 1/4"	5/18	\$142.71

### 74758-68

-68 XXStrong Lead x -68 XXStrong Lead



Part No.	Size	Carton PCS/WT	Price
5180-105	1/2"	25/30	\$67.91
5180-030	5/8"	25/25	\$67.91
5180-054	3/4"	10/21	\$100.92

## FAST CONNECT FITTINGS

Patented

### 74756-PEP

Fast Connect Fitting



Part No.	Size	Carton PCS/WT	Price
5125-051	3/4"	25/28	\$50.52
5125-023	1"	20/33	\$100.92



### 74756-CTS

Fast Connect Fitting



Part No.	Size	Carton PCS/WT	Price
5123-073	3/4"	25/15	\$40.43
5123-079	3/4" x 1"	25/23	\$46.98
5123-074	1"	25/27	\$46.26
5125-022	1 1/4"	20/32	\$79.86
5125-054	1 1/2"	10/17	\$154.77
5125-055	2"	10/27	\$209.00

## OPTIONS

See page 9 for pricing of the following:

- For Handyloc - Replace "Q" with "H" or "-3Q" with "-3H" in 3/4" & 1" **only**.
- For C903 tube - Replace "Q" with "K". On "Q" Series options only 3/4" & 1" **only**.
- For valve or fitting less flare nut add "L" to end of model number.
- CTS Anode (QA) & Flare Anode (A) - Replace "Q" with "QA" or add "A" to flare.
- Insert stiffeners are **required** on all flexible plastic connections. (See page 10 for stiffeners)



## Straight Couplings

**SAME CONNECTIONS ON BOTH ENDS - NO INTERNAL PIPE STOP ON STRAIGHT SIZES**

A.Y. McDonald Service Fittings are manufactured to meet or exceed the AWWA C800 (latest revision) standard. Our service fittings are rated to withstand the same pressures as the tubing they are designed to fit. They are designed and tested for cold potable water only. EPDM rubber gaskets are used in our Compression fittings.

### 74756 Two Part Union

Flare x Flare



Part No.	Size	Carton PCS/WT	Price
5120-143	3/4"	50/32	\$32.85
5121-145	1"	16/35	\$50.88
5121-146	1 1/4"	20/43	\$92.42
5122-145	1 1/2"	10/25	\$122.66
5122-146	2"	6/26	\$237.16

### 74756WR

Wedding Ring for Two Part Union



Part No.	Size	Carton PCS/WT	Price
5122-051	3/4"	50/2	\$6.41
5122-052	1"	50/5	\$7.40
5122-053	1 1/4"	50/6	\$9.22
5122-054	1 1/2"	50/19	\$11.77
5122-055	2"	50/24	\$22.49

## Straight Repair Couplings

### 74758REP-22

-22 CTS x -22 CTS



Part No.	Size	Carton PCS/WT	Price
5183-427	3/4" x 4.75	10/13	\$66.79
5183-227	1" x 4.75	10/17	\$76.37
5183-298	1 1/4" x 4.75	10/27	\$114.24

### 74758REPT

T CTS x T CTS



Part No.	Size	Carton PCS/WT	Price
5183-429	3/4" x 4.75	10/14	\$66.79
5183-230	1" x 4.75	10/18	\$76.37
5183-299	1 1/4" x 4.75	10/26	\$114.24

### 74758REP-44

-44 PVC x -44 PVC



Part No.	Size	Carton PCS/WT	Price
5183-337	3/4" x 4.75	10/17	\$89.15
5183-339	1" x 4.75	10/25	\$134.66

### 74758REPG

G CTS x G CTS



Part No.	Size	Carton PCS/WT	Price
5183-430	3/4" x 4.75	10/16	\$66.79
5183-231	1" x 4.75	10/21	\$76.37
5183-300	1 1/4" x 4.75	10/32	\$114.24

### 74758REP-33

-33 PEP-7 x -33 PEP-7



Part No.	Size	Carton PCS/WT	Price
5183-291	3/4" x 4.75	20/35	\$80.61
5183-295	1" x 4.75	10/6	\$135.30

### 74758REP-3G

-3G PEP-7 x -3G PEP-7



Part No.	Size	Carton PCS/WT	Price
5183-292	3/4" x 4.75	20/37	\$80.61
5183-296	1" x 4.75	10/28	\$135.30

### 74758REPQ

Q CTS x Q CTS



Part No.	Size	Carton PCS/WT	Price
5183-428	3/4" x 4.75	10/14	\$66.79
5183-228	1" x 4.75	10/19	\$76.37
5183-297	1 1/4" x 4.75	10/26	\$114.24

### 74758REP-34

-34 PEP-9 x -34 PEP-9



Part No.	Size	Carton PCS/WT	Price
	3/4" x 4.75	25/41	\$80.61
	1" x 4.75	10/6	\$135.28

### 74758REP-3Q

-3Q PEP-7 x -3Q PEP-7



Part No.	Size	Carton PCS/WT	Price
5183-292	3/4" x 4.75	25/47	\$80.61
5183-296	1" x 4.75	10/28	\$135.30

### 74758REP-55

-55 IP x -55 IP



Part No.	Size	Carton PCS/WT	Price
5183-338	3/4" x 4.75	10/17	\$74.64
5183-340	1" x 4.75	10/27	\$113.81

### OPTIONS

See page 9 for pricing of the following:

- For Handyloc - Replace "Q" with "H" or "-3Q" with "-3H" in 3/4" & 1" **only**.
- For C903 tube - Replace "Q" with "K". On "Q" Series options only 3/4" & 1" **only**.
- For valve or fitting less flare nut add "L" to end of model number.
- CTS Anode (QA) & Flare Anode (A) - Replace "Q" with "QA" or add "A" to flare.
- Insert stiffeners are **required** on all flexible plastic connections. (See page 10 for stiffeners)



# Straight Couplings

## ONE END FLARE NUT

A.Y. McDonald Service Fittings are manufactured to meet or exceed the AWWA C800 (latest revision) standard. Our service fittings are rated to withstand the same pressures as the tubing they are designed to fit. They are designed and tested for cold potable water only. EPDM rubber gaskets are used in our Compression fittings.

### 74758C-22

Flare x -22 CTS



Part No.	Size	Carton PCS/WT	Price
5131-052	3/4"	25/22	\$55.66
5182-484	3/4" x 1"	25/30	\$57.98
5182-329	1"	25/36	\$90.06
5120-431	1" x 3/4"	25/35	\$74.03
5120-423	1" x 1 1/4"	15/31	\$109.74

### 74758CG

Flare x G CTS



Part No.	Size	Carton PCS/WT	Price
5192-465	3/4"	25/22	\$55.66
5182-481	3/4" x 1"	25/34	\$57.98
5192-466	1"	25/36	\$90.06
5192-251	1" x 3/4"	25/40	\$74.03
5120-424	1" x 1 1/4"	15/35	\$109.74

### 74758CQ

Flare x Q CTS



Part No.	Size	Carton PCS/WT	Price
5183-376	3/4"	25/24	\$55.66
5182-482	3/4" x 1"	25/33	\$57.98
5182-331	1"	25/39	\$90.06
5183-116	1" x 3/4"	25/37	\$74.03
5120-422	1" x 1 1/4"	15/31	\$109.74

### 74758CT

Flare x T CTS



Part No.	Size	Carton PCS/WT	Price
5131-062	3/4"	25/24	\$55.66
5182-483	3/4" x 1"	25/32	\$57.98
5182-330	1"	25/38	\$90.06
5120-430	1" x 3/4"	25/35	\$74.03
5120-421	1" x 1 1/4"	15/34	\$109.74

### 74758CU4

Flare x Cambridge Coupling

Part No.	Model	Compression Range		Compression Range	Carton PCS/WT	Price
5999-097	74758CU4	0.600" - 0.900"	x	0.600" - 0.900"	4/16	\$151.84
5999-098	74758CU4	0.600" - 0.900"	x	0.735" - 1.135"	4/14	\$157.17

## OPTIONS

See page 9 for pricing of the following:

- For Handyloc - Replace "Q" with "H" or "-3Q" with "-3H" in 3/4" & 1" **only**.
- For C903 tube - Replace "Q" with "K". On "Q" Series options only 3/4" & 1" **only**.
- For valve or fitting less flare nut add "L" to end of model number.
- CTS Anode (QA) & Flare Anode (A) - Replace "Q" with "QA" or add "A" to flare.
- Insert stiffeners are **required** on all flexible plastic connections. (See page 10 for stiffeners)

### 74758C-33

Flare x -33 PEP-7



Part No.	Size	Carton PCS/WT	Price
5131-059	3/4"	25/32	\$58.21
5131-049	1"	15/30	\$95.03
5120-056	1" x 3/4"	25/37	\$86.62
5142-240	1" x 2"	10/38	\$229.14

### 74758C-3G

Flare x -3G PEP-7



Part No.	Size	Carton PCS/WT	Price
	3/4"	25/32	\$58.21
5192-329	1"	15/30	\$95.10
	1" x 3/4"	25/48	\$86.62

### 74758C-3Q

Flare x -3Q PEP-7



Part No.	Size	Carton PCS/WT	Price
5180-117	3/4"	25/32	\$58.21
5120-418	1"	15/31	\$95.10
5120-059	1" x 3/4"	20/39	\$86.62
	1" x 2"	10/38	\$229.13

### 74758C-34

Flare x -34 PEP-7



Part No.	Size	Carton PCS/WT	Price
	3/4"	25/32	\$58.21
5123-215	1"	15/30	\$95.03
	1" x 3/4"	25/48	\$86.62
	1" x 2"	10/38	\$229.13

### 74758C-44

Flare x -44 PVC



Part No.	Size	Carton PCS/WT	Price
5130-083	3/4"	25/32	\$60.97
5131-050	1"	15/30	\$107.52
5120-057	1" x 3/4"	25/37	\$95.51
5142-252	1" x 2"	8/33	\$227.26

### 74758C-55

Flare x -55 IP



Part No.	Size	Carton PCS/WT	Price
5130-084	3/4"	25/30	\$57.15
5131-093	1"	15/32	\$91.82
5120-058	1" x 3/4"	25/35	\$81.59
5142-253	1" x 2"	10/40	\$192.62

## FLARE X LEAD

### 74758C-66

Flare x -66 Strong Lead



Part No.	Size	Carton PCS/WT	Price
5180-023	3/4"	25/29	\$62.16
5180-016	3/4" x 5/8"	25/32	\$63.66
5180-008	1"	15/27	\$129.55
5180-089	1" x 5/8"	25/37	\$96.11
5180-006	1" x 3/4"	25/34	\$108.98

### 74758C-67

Flare x -67 XStrong Lead



Part No.	Size	Carton PCS/WT	Price
5180-024	3/4"	25/29	\$73.46
5180-041	3/4" x 1/2"	25/22	\$55.66
5180-018	3/4" x 5/8"	25/32	\$58.21
5180-010	1"	15/27	\$92.36
5180-090	1" x 5/8"	25/37	\$68.28
5180-007	1" x 3/4"	20/37	\$105.03

### 74758C-68

Flare x -68 XXStrong Lead



Part No.	Size	Carton PCS/WT	Price
5180-050	3/4"	15/25	\$86.59
5180-017	3/4" x 1/2"	25/32	\$63.66
5180-022	3/4" x 5/8"	25/29	\$62.16
5180-011	1"	15/31	\$116.84
5180-088	1" x 1/2"	25/37	\$106.98
5180-031	1" x 5/8"	25/36	\$108.98
5180-058	1" x 3/4"	15/30	\$105.03



## Straight Couplings

### CONNECTIONS FOR DISSIMILAR PIPE OR TUBING

A.Y. McDonald Service Fittings are manufactured to meet or exceed the AWWA C800 (latest revision) standard. Our service fittings are rated to withstand the same pressures as the tubing they are designed to fit. They are designed and tested for cold potable water only. EPDM rubber gaskets are used in our Compression fittings.

#### 74758-11-22

RANGER x -22 CTS



Part No.	Size	Carton PCS/WT	Price
5196-009	3/4"	25/32	\$65.67
5196-014	1"	15/28	\$96.13

#### 74758-22-3Q

-22 CTS x -3Q PEP-7



Part No.	Size	Carton PCS/WT	Price
	3/4"	25/24	\$48.34
	3/4" x 1"	15/24	\$76.34
	1"	15/28	\$73.01
	1" x 3/4"	25/30	\$50.41
	1 1/4" x 1"	10/19	\$84.39
5125-106	2" x 3/4"	10/29	\$139.68
	2" x 1"	10/32	\$160.50

#### 74758-22-33

-22 CTS x -33 PEP-7



Part No.	Size	Carton PCS/WT	Price
5142-160	3/4"	25/24	\$48.34
5130-047	3/4" x 1"	15/24	\$76.34
5130-001	1"	15/26	\$73.01
5130-055	1" x 3/4"	25/30	\$50.41
5132-291	1" x 1 1/4"	15/36	\$125.97
5125-108	1" x 1 1/2"	10/28	\$127.66
5142-241	1" x 2"	10/36	\$159.50
	1 1/4" x 1"	10/19	\$84.39
5131-020	1 1/2"	10/32	\$212.90
5131-011	1 1/2" x 1 1/4"	5/19	\$185.12
5131-389	2"	4/19	\$248.62
5125-105	2" x 3/4"	10/28	\$139.68
5180-112	2" x 1"	10/32	\$160.51

#### 74758-22-34

-22 CTS x -34 PEP-9



Part No.	Size	Carton PCS/WT	Price
5123-176	3/4"	25/24	\$48.34
5123-201	3/4" x 1"	15/24	\$76.34
5123-199	1"	15/28	\$73.01
5123-178	1" x 3/4"	25/30	\$50.41
5125-028	1" x 1 1/4"	15/36	\$125.97
	1" x 1 1/2"	10/28	\$127.66
	1" x 2"	10/36	\$159.50
	1 1/4" x 1"	10/19	\$84.39
5125-040	1 1/2"	10/32	\$212.90
	1 1/2" x 1 1/4"	5/19	\$185.12
5125-048	2"	4/19	\$248.62
	2" x 3/4"	10/28	\$139.68
	2" x 1"	10/32	\$160.50

#### 74758-22-44

-22 CTS x -44 PVC



Part No.	Size	Carton PCS/WT	Price
5132-470	1/2"	25/19	\$46.44
5146-162	3/4"	25/24	\$54.64
5142-266	3/4" x 1/2"	25/20	\$40.43
5130-045	3/4" x 1"	15/24	\$76.52
5130-002	1"	15/27	\$78.98
5130-057	1" x 3/4"	25/30	\$57.69
5132-292	1" x 1 1/4"	15/38	\$84.18
5142-254	1" x 2"	8/33	\$159.50
5123-138	1 1/4"	10/23	\$202.50
5141-336	1 1/4" x 1"	10/19	\$90.10
5132-351	1 1/2"	5/18	\$212.99
5130-046	2"	4/20	\$248.62
	2" x 1"	10/32	\$160.50
5125-133	2" x 2 1/2"		\$376.60
5117-171	1 1/2" x 2"	6/26	\$255.39

#### 74758-22-55

-22 CTS x -55 IP



Part No.	Size	Carton PCS/WT	Price
5146-139	3/4"	25/23	\$44.78
5130-050	3/4" x 1"	15/24	\$61.76
5130-003	1"	15/28	\$60.07
5130-044	1" x 3/4"	25/28	\$50.33
5142-257	1" x 2"	10/39	\$134.88
	1 1/4" x 1"	10/19	\$79.24
5132-472	1 1/2"	5/18	\$200.23
5132-259	2"	4/19	\$217.55
	2" x 1"	10/32	\$160.50

#### 74758REP-22-33

-22 CTS x -33 PEP-7



Part No.	Size	Carton PCS/WT	Price
5183-294	1" x 3/4" x 4.75	20/33	\$80.52
5183-302	1 1/4" x 1" x 4.75	10/32	\$106.97

#### 74758REPG-3G

G CTS x -3G PEP-7



Part No.	Size	Carton PCS/WT	Price
	1" x 3/4" x 4.75	25/41	\$80.52
	1 1/4" x 1" x 4.75		\$106.97

#### 74758REPQ-3Q

Q CTS x -3Q PEP-7



Part No.	Size	Carton PCS/WT	Price
5183-293	1" x 3/4" x 4.75	25/41	\$80.52
5183-301	1 1/4" x 1" x 4.75		\$106.97

### CTS X LEAD

#### 74758-22-66

-22 CTS x -66 Strong Lead



Part No.	Size	Carton PCS/WT	Price
5180-044	3/4"	25/25	\$74.56
5180-042	3/4" x 5/8"	25/28	\$68.16
5180-026	1"	15/23	\$138.10
5180-021	1" x 3/4"	25/27	\$69.47
5180-107	1 1/4" x 1"	10/20	\$84.43

#### 74758-22-68

-22 CTS x -68 XX Strong Lead



Part No.	Size	Carton PCS/WT	Price
5180-025	3/4"	15/23	\$76.34
5180-043	3/4" x 1/2"	25/29	\$68.16
5180-045	3/4" x 5/8"	25/25	\$74.56
5180-086	3/4" x 1"	15/24	\$127.58
5180-059	1"	15/26	\$123.86
5180-020	1" x 5/8"	25/24	\$69.47
5180-099	1" x 3/4"	15/26	\$107.17
5180-109	1 1/4" x 1"	10/21	\$70.16

#### 74758-22-67

-22 CTS x -67 X Strong Lead



Part No.	Size	Carton PCS/WT	Price
5180-014	3/4"	25/26	\$84.64
5180-056	3/4" x 1/2"	25/21	\$40.43
5180-013	3/4" x 5/8"	25/26	\$48.34
5180-085	3/4" x 1"	15/21	\$131.19
5180-015	1"	15/22	\$135.07
5180-057	1" x 5/8"	25/31	\$50.41
5180-062	1" x 3/4"	25/37	\$107.17
5132-293	1" x 1 1/4"	15/36	\$170.18
5180-108	1 1/4" x 1"	10/20	\$81.37
5180-033	1 1/2"	10/32	\$217.87
5180-019	1 1/2" x 1 1/4"	5/19	\$185.12
5180-035	2"	4/20	\$351.95

### OPTIONS

See page 9 for pricing of the following:

- For Handyloc - Replace "Q" with "H" or "-3Q" with "-3H" in 3/4" & 1" **only**.
- For C903 tube - Replace "Q" with "K". On "Q" Series options only 3/4" & 1" **only**.
- For valve or fitting less flare nut add "L" to end of model number.
- CTS Anode (QA) & Flare Anode (A) - Replace "Q" with "QA" or add "A" to flare.
- Insert stiffeners are **required** on all flexible plastic connections. (See page 10 for stiffeners)



# Straight Couplings

## CONNECTIONS FOR DISSIMILAR PIPE OR TUBING

A.Y. McDonald Service Fittings are manufactured to meet or exceed the AWWA C800 (latest revision) standard. Our service fittings are rated to withstand the same pressures as the tubing they are designed to fit. They are designed and tested for cold potable water only. EPDM rubber gaskets are used in our Compression fittings.

### 74758G-11

G CTS x RANGER



Part No.	Size	Carton PCS/WT	Price
5196-007	3/4"	25/32	\$65.67
5196-013	1"	15/28	\$96.13

### 74758G-22

- G CTS x -22 CTS



Part No.	Size	Carton PCS/WT	Price
5192-142	3/4" x 1/2"	25/22	\$41.41

### 74758G-33

- G CTS x -33 PEP-7



Part No.	Size	Carton PCS/WT	Price
5192-220	3/4"	25/29	\$48.34
5192-436	3/4" x 1"	15/25	\$76.34
5192-242	1"	15/30	\$73.01
	1" x 3/4"	25/30	\$50.41
	1" x 2"	10/36	\$159.50
	2"	4/19	\$248.61

### 74758G-34

- G CTS x -34 PEP-9



Part No.	Size	Carton PCS/WT	Price
	3/4"	25/29	\$48.34
	3/4" x 1"	15/25	\$76.34
	1"	15/30	\$73.01
	1" x 3/4"	25/30	\$50.41
	1" x 2"	10/36	\$159.50
	2"	4/19	\$227.46

### 74758G-3G

- G CTS x -3G PEP-7



Part No.	Size	Carton PCS/WT	Price
5192-139	3/4"	25/34	\$48.34
5192-149	3/4" x 1"	15/28	\$76.34
5192-148	1"	15/32	\$73.01
	1" x 3/4"	25/30	\$50.41

### 74758G-3Q

- G CTS x -3Q PEP-7



Part No.	Size	Carton PCS/WT	Price
	3/4"	25/34	\$48.34
	3/4" x 1"	15/28	\$76.34
5192-092	1"	15/30	\$73.01
	1" x 3/4"	25/30	\$50.41

### 74758G-44

G CTS x -44 PVC



Part No.	Size	Carton PCS/WT	Price
5192-063	3/4"	25/29	\$54.64
5192-177	3/4" x 1/2"	25/24	\$40.43
5192-062	3/4" x 1"	15/26	\$76.52
5192-057	1"	15/29	\$78.98
5192-301	1" x 3/4"	25/36	\$57.72
5141-428	1" x 1 1/2"	15/35	\$140.19
5192-426	1" x 2"	8/33	\$159.50
5192-237	1 1/4"	10/24	\$202.50
5125-158	1 1/2"	5/15	\$212.99
5192-064	2"	4/20	\$248.61
5117-172	1 1/2" x 2"	6/26	\$255.39

### 74758G-55

G CTS x -55 IP



Part No.	Size	Carton PCS/WT	Price
5192-158	3/4"	25/25	\$44.76
5192-167	3/4" x 1"	15/26	\$61.76
5192-166	1"	15/30	\$60.07
5192-319	1" x 3/4"	25/33	\$50.33
	1" x 2"	10/41	\$134.88
5192-250	2"	4/19	\$217.55

## CTS X LEAD

### 74758G-67

G CTS x -67 X Strong Lead



Part No.	Size	Carton PCS/WT	Price
5180-122	3/4"	25/29	\$84.64
5180-121	1"	15/26	\$135.07

### 74758G-68

G CTS x -68 XX Strong Lead



Part No.	Size	Carton PCS/WT	Price
5180-129	3/4"	15/26	\$76.34

## OPTIONS

See page 9 for pricing of the following:

- For Handyloc - Replace "Q" with "H" or "-3Q" with "-3H" in 3/4" & 1" **only**.
- For C903 tube - Replace "Q" with "K". On "Q" Series options only 3/4" & 1" **only**.
- For valve or fitting less flare nut add "L" to end of model number.
- CTS Anode (QA) & Flare Anode (A) - Replace "Q" with "QA" or add "A" to flare.
- Insert stiffeners are **required** on all flexible plastic connections. (See page 10 for stiffeners)





## Straight Couplings

### CONNECTIONS FOR DISSIMILAR PIPE OR TUBING

A.Y. McDonald Service Fittings are manufactured to meet or exceed the AWWA C800 (latest revision) standard. Our service fittings are rated to withstand the same pressures as the tubing they are designed to fit. They are designed and tested for cold potable water only. EPDM rubber gaskets are used in our Compression fittings.

#### 74758Q-11

Q CTS x RANGER



Part No.	Size	Carton PCS/WT	Price
5196-006	3/4"	25/32	\$65.67
5196-011	1"	15/28	\$96.13

#### 74758Q-22

Q CTS x -22 CTS



Part No.	Size	Carton PCS/WT	Price
5182-281	3/4" x 1/2"	25/19	\$41.41
5183-305	3/4" x 1"	25/30	\$46.98

#### 74758Q-33

Q CTS x -33 PEP-7



Part No.	Size	Carton PCS/WT	Price
5182-011	3/4"	25/25	\$48.34
5183-152	3/4" x 1"	15/24	\$76.34
5182-282	1"	15/29	\$73.01
5184-008	1" x 3/4"	25/36	\$50.41
5125-107	1" x 1 1/2"	10/29	\$127.66
5142-243	1" x 2"	10/37	\$159.50
5182-409	2"	4/17	\$248.62
5125-104	2" x 3/4"	10/22	\$139.68

#### 74758Q-3Q

Q CTS x -3Q PEP-7



Part No.	Size	Carton PCS/WT	Price
5182-265	3/4"	25/29	\$48.34
5182-297	3/4" x 1"	20/32	\$76.34
5182-226	1"	15/29	\$73.01
5182-276	1" x 3/4"	25/36	\$96.13
5125-103	2" x 3/4"	10/23	\$139.68

#### 74758Q-34

Q CTS x -34 PEP-9



Part No.	Size	Carton PCS/WT	Price
5123-191	3/4"	25/28	\$48.34
5123-226	3/4" x 1"	20/32	\$76.34
5123-225	1"	15/29	\$73.01
5123-198	1" x 3/4"	25/36	\$50.41
	1" x 1 1/2"	10/29	\$127.66
	1" x 2"	10/37	\$159.50
	2"	4/17	\$227.46
	2" x 3/4"	10/22	\$139.68

#### OPTIONS

See page 9 for pricing of the following:

- For Handyloc - Replace "Q" with "H" or "-3Q" with "-3H" in 3/4" & 1" **only**.
- For C903 tube - Replace "Q" with "K". On "Q" Series options only 3/4" & 1" **only**.
- For valve or fitting less flare nut add "L" to end of model number.
- CTS Anode (QA) & Flare Anode (A) - Replace "Q" with "QA" or add "A" to flare.
- Insert stiffeners are **required** on all flexible plastic connections. (See page 10 for stiffeners)

#### 74758Q-55

Q CTS x -55 IP



Part No.	Size	Carton PCS/WT	Price
5182-012	3/4"	25/24	\$44.78
5182-327	3/4" x 1"	15/24	\$61.76
5182-123	1"	15/29	\$60.07
5182-371	1" x 3/4"	25/31	\$50.33
5142-259	1" x 2"	10/39	\$134.88
5182-377	2"	4/17	\$217.55

#### 74758Q-44

Q CTS x -44 PVC



Part No.	Size	Carton PCS/WT	Price
5182-367	3/4"	25/26	\$54.64
5142-267	3/4" x 1/2"	25/22	\$40.43
5182-366	3/4" x 1"	15/24	\$76.52
5182-280	1"	15/29	\$78.98
5182-479	1" x 3/4"	15/36	\$57.69
5120-496	1" x 1 1/4"	25/33	\$84.18
5183-306	1" x 1 1/2"	15/40	\$140.19
5183-108	1 1/4"	8/33	\$202.50
5142-256	1" x 2"	10/41	\$159.50
5125-159	1 1/2"	5/14	\$212.99
5183-495	1 1/2" x 2"	6/26	\$255.39
5182-410	2"	4/19	\$248.62

#### 74758REPQ-3Q

Q CTS x -3Q PEP-7



Part No.	Size	Carton PCS/WT	Price
5183-293	1" x 3/4" x 4.75	20/37	\$84.53
5183-301	1 1/4" x 1" x 4.75	10/32	\$106.97

#### CTS X LEAD

#### 74758Q-66

Q CTS x -66 Strong Lead



Part No.	Size	Carton PCS/WT	Price
5180-120	3/4"	25/26	\$74.56
5180-130	1"	15/25	\$138.10

#### 74758Q-67

Q CTS x -67 X Strong Lead



Part No.	Size	Carton PCS/WT	Price
5180-102	3/4" x 1/2"	25/21	\$40.43
5180-123	3/4" x 5/8"	25/27	\$48.34
5180-113	3/4"	25/27	\$84.64
5180-114	1"	15/25	\$135.07

#### 74758Q-68

Q CTS x -68 XX Strong Lead



Part No.	Size	Carton PCS/WT	Price
5180-116	3/4"	15/25	\$76.34
5180-119	3/4" x 5/8"	25/28	\$74.56
5180-115	1"	15/28	\$123.86

#### 74758T-22

T CTS x -22 CTS



Part No.	Size	Carton PCS/WT	Price
5131-471	3/4"	25/21	\$40.43
5130-094	3/4" x 1/2"	25/20	\$41.41
5130-121	1"	25/31	\$46.26
5131-268	2"	10/38	\$209.00
5131-357	2" x 1 1/2"	10/25	\$168.63

#### 74758T-33

T CTS x -33 PEP-7



Part No.	Size	Carton PCS/WT	Price
5146-204	3/4"	25/27	\$48.34
5119-153	3/4" x 1"	15/24	\$76.34
5130-051	1"	15/25	\$73.01
5131-077	1" x 3/4"	25/33	\$50.41
5142-242	1" x 2"	10/36	\$159.50
5117-167	1 1/2"	10/32	\$212.89
5131-390	2"	4/17	\$248.62

#### 74758T-3G

T CTS X -3G PEP-7



Part No.	Size	Carton PCS/WT	Price
5192-386	1"	15/31	\$73.01

#### 74758T-34

T CTS X -34 PEP-9



Part No.	Size	Carton PCS/WT	Price
5123-195	3/4"	25/27	\$48.34
	3/4" x 1"	15/24	\$76.34
	1"	15/25	\$73.01
	1" x 3/4"	25/33	\$50.41
	1" x 2"	10/36	\$159.50
	1 1/2"	10/32	\$212.89
	2"	4/17	\$227.46



# Straight Couplings

## CONNECTIONS FOR DISSIMILAR PIPE OR TUBING

A.Y. McDonald Service Fittings are manufactured to meet or exceed the AWWA C800 (latest revision) standard. Our service fittings are rated to withstand the same pressures as the tubing they are designed to fit. They are designed and tested for cold potable water only. EPDM rubber gaskets are used in our Compression fittings.

### 74758T-11

T CTS x RANGER



Part No.	Size	Carton PCS/WT	Price
5196-008	3/4"	25/32	\$65.67
5196-012	1"	15/28	\$96.13

### 74758T-44

T CTS x -44 PVC



Part No.	Size	Carton PCS/WT	Price
5146-203	3/4"	25/28	\$54.64
5142-268	3/4" x 1/2"	25/23	\$40.43
5130-081	3/4" x 1"	15/25	\$76.52
5130-082	1"	15/28	\$78.98
5131-078	1" x 3/4"	25/32	\$57.69
5142-255	1" x 2"	10/40	\$159.50
5123-137	1 1/4"	10/21	\$202.50
5132-354	1 1/2"	5/16	\$212.99
5132-360	2"	4/19	\$248.62
5117-173	1 1/2" x 2"	6/26	\$255.39

### 74758T-55

T CTS x -55 IP



Part No.	Size	Carton PCS/WT	Price
5146-202	3/4"	25/24	\$44.78
5140-030	3/4" x 1"	15/24	\$61.82
5130-041	1"	15/29	\$60.07
5132-250	1" x 3/4"	25/30	\$50.33
5142-258	1" x 2"	10/39	\$134.88
5132-443	1 1/2"	5/16	\$200.22
5132-327	2"	4/17	\$217.55

### CTS X LEAD

### 74758T-67

T CTS x -67 X Strong Lead



Part No.	Size	Carton PCS/WT	Price
5180-068	3/4"	25/27	\$84.64
5180-070	3/4" x 5/8"	25/27	\$48.34

### 74758T-68

T CTS x -68 XX Strong Lead



Part No.	Size	Carton PCS/WT	Price
5180-066	3/4" x 1/2"	25/34	\$68.16
5180-067	3/4" x 5/8"	25/25	\$74.56

### OPTIONS

See page 9 for pricing of the following:

- For Handyloc - Replace "Q" with "H" or "-3Q" with "-3H" in 3/4" & 1" **only**.
- For C903 tube - Replace "Q" with "K". On "Q" Series options only 3/4" & 1" **only**.
- For valve or fitting less flare nut add "L" to end of model number.
- CTS Anode (QA) & Flare Anode (A) - Replace "Q" with "QA" or add "A" to flare.
- Insert stiffeners are **required** on all flexible plastic connections. (See page 10 for stiffeners)

### 74758-33-44

-33 PEP-7 x -44 PVC



Part No.	Size	Carton PCS/WT	Price
5142-263	3/4"	25/31	\$61.82
5132-497	3/4" x 1"	15/27	\$82.03
5142-248	3/4" x 2"	8/40	\$171.73
5142-030	1"	10/21	\$100.92
5132-496	1" x 3/4"	15/29	\$82.03
5122-122	1 1/4"	5/19	\$127.67
5122-106	1 1/4" x 1 1/2"	5/15	\$206.85
5142-378	2"	4/23	\$296.16

### 74758-34-44

-34 PEP-9 x -44 PVC



Part No.	Size	Carton PCS/WT	Price
	3/4"	25/31	\$61.82
	3/4" x 1"	15/27	\$82.02
	3/4" x 2"	8/40	\$171.72
5123-218	1"	10/21	\$100.92
	1" x 3/4"	15/29	\$82.02
	1 1/4"	5/19	\$127.67
	1 1/4" x 1 1/2"	5/15	\$206.83
5119-186	2"	4/23	\$296.15

### 74758-33-55

-33 PEP-7 x -55 IP



Part No.	Size	Carton PCS/WT	Price
5142-047	3/4"	25/28	\$55.00
5119-162	3/4" x 1"	15/26	\$76.94
5142-250	3/4" x 2"	8/32	\$119.35
5142-273	1"	10/19	\$91.66
5130-098	1" x 3/4"	15/26	\$76.93

### 74758-34-55

-34 PEP-9 x -55 IP



Part No.	Size	Carton PCS/WT	Price
	3/4"	25/29	\$54.99
	3/4" x 1"	15/27	\$82.02
	3/4" x 2"	8/32	\$119.35
	1"	10/21	\$91.66
	1" x 3/4"	15/26	\$76.92

### PEP X LEAD

### 74758-33-66

-33 PEP-7 x -66 Strong Lead



Part No.	Size	Carton PCS/WT	Price
5180-091	3/4"	25/27	\$48.34
5180-094	3/4" x 5/8"	25/31	\$48.34

### 74758-34-66

-34 PEP-9 x -66 Strong Lead



Part No.	Size	Carton PCS/WT	Price
	3/4"	25/27	\$48.34
	3/4" x 5/8"	25/31	\$48.34

### 74758-33-67

-33 PEP-7 x -67 X Strong Lead



Part No.	Size	Carton PCS/WT	Price
5180-095	3/4" x 1/2"	25/24	\$48.34
5180-063	3/4" x 5/8"	25/34	\$50.52
5180-098	1 1/2"	5/19	\$219.88

### 74758-34-67

-34 PEP-9 x -67 X Strong Lead



Part No.	Size	Carton PCS/WT	Price
	3/4" x 1/2"	25/24	\$48.34
	3/4" x 5/8"	25/34	\$50.51
	1 1/2"	5/25	\$219.88

### 74758-33-68

-33 PEP-7 x -68 XX Strong Lead



Part No.	Size	Carton PCS/WT	Price
5180-096	3/4"	15/27	\$78.15
5180-093	3/4" x 5/8"	25/32	\$48.34
5180-092	3/4" x 1/2"	25/25	\$64.31
5180-097	1" x 3/4"	10/19	\$100.92

### 74758-34-68

-34 PEP-9 x -68 XX Strong Lead



Part No.	Size	Carton PCS/WT	Price
	3/4"	15/27	\$78.14
	3/4" x 5/8"	25/32	\$48.34
	3/4" x 1/2"	25/25	\$64.31
	1" x 3/4"	10/19	\$100.91



## Straight Couplings

### CONNECTIONS FOR DISSIMILAR PIPE OR TUBING

A.Y. McDonald Service Fittings are manufactured to meet or exceed the AWWA C800 (latest revision) standard. Our service fittings are rated to withstand the same pressures as the tubing they are designed to fit. They are designed and tested for cold potable water only. EPDM rubber gaskets are used in our Compression fittings.

#### 74758-3G-55

-3G PEP-7 x -55 IP



Part No.	Size	Carton PCS/WT	Price
	1"	10/21	\$91.66
5192-232	1" x 3/4"	15/29	\$72.75

#### 74758-3Q-55

-3Q PEP-7 x -55 IP



Part No.	Size	Carton PCS/WT	Price
5183-374	3/4"	25/30	\$55.00
5142-476	1"	10/20	\$91.66
5183-425	1" x 3/4"	15/29	\$72.75

#### 74758-3Q-44

-3Q PEP-7 x -44 PVC



Part No.	Size	Carton PCS/WT	Price
5142-310	1"	10/20	\$100.92
	1" x 3/4"	15/29	\$82.02

#### 74758-44-55

-44 PVC x -55 IP



Part No.	Size	Carton PCS/WT	Price
5142-221	3/4"	25/29	\$53.58
	3/4" x 2"	10/40	\$119.35
5131-243	1"	15/29	\$93.24
5130-072	1" x 3/4"	15/24	\$72.45
	1 1/2"	4/21	\$168.65
5132-494	2"	4/21	\$250.61

#### 74758-3Q-33

-3Q PEP-7 x -33 PEP-7



Part No.	Size	Carton PCS/WT	Price
5125-118	3/4" x 1 1/2"	10/29	\$127.66
	1"	10/20	\$100.91
	1" x 3/4"	15/29	\$75.94

### OPTIONS

See page 9 for pricing of the following:

- For Handyloc - Replace "Q" with "H" or "-3Q" with "-3H" in 3/4" & 1" **only**.
- For C903 tube - Replace "Q" with "K". On "Q" Series options only 3/4" & 1" **only**.
- For valve or fitting less flare nut add "L" to end of model number.
- CTS Anode (QA) & Flare Anode (A) - Replace "Q" with "QA" or add "A" to flare.
- Insert stiffeners are **required** on all flexible plastic connections. (See page 10 for stiffeners)



# Straight Couplings with Internal Pipe Stop

## SAME CONNECTION ON BOTH SIDES

A.Y. McDonald Service Fittings are manufactured to meet or exceed the AWWA C800 (latest revision) standard. Our service fittings are rated to withstand the same pressures as the tubing they are designed to fit. They are designed and tested for cold potable water only. EPDM rubber gaskets are used in our Compression fittings.

### 74759-22

-22 CTS x -22 CTS



Part No.	Size	Carton PCS/WT	Price
5119-143	1/2"	50/33	\$49.72
5131-205	3/4"	25/21	\$40.43
5131-201	1"	25/29	\$46.26
5131-003	1 1/2"	10/28	\$154.77
5131-229	2"	8/34	\$209.00

### 74759T

T CTS x T CTS



Part No.	Size	Carton PCS/WT	Price
5131-204	3/4"	25/22	\$40.43
	3/4" x 1"	25/30	\$45.05
5131-200	1"	25/32	\$46.26
5131-002	1 1/2"	10/22	\$154.77
5131-230	2"	10/34	\$209.00

### 74759-3Q

-3Q PEP-7 x -3Q PEP-7



Part No.	Size	Carton PCS/WT	Price
5182-275	3/4"	25/37	\$50.52

### 74759G

G CTS x G CTS



Part No.	Size	Carton PCS/WT	Price
5192-026	3/4"	25/37	\$40.43
5192-441	1"	25/39	\$46.26
	1 1/2"	10/28	\$154.76
	2"	10/43	\$209.00

### 74759-33

-33 PEP-7 x -33 PEP-7



Part No.	Size	Carton PCS/WT	Price
5131-202	3/4"	25/32	\$50.52

### 74759-44

-44 PVC x -44 PVC



Part No.	Size	Carton PCS/WT	Price
5131-203	3/4"	25/31	\$59.05

### 74759Q

Q CTS x Q CTS



Part No.	Size	Carton PCS/WT	Price
5182-005	3/4"	25/23	\$40.43
5182-443	3/4" x 1"	25/32	\$45.05
5182-002	1"	25/35	\$46.26
5182-105	1 1/2"	10/24	\$154.77
5182-080	2"	10/32	\$209.00

### 74759-34

-34 PEP-9 x -34 PEP-9



Part No.	Size	Carton PCS/WT	Price
	3/4"	25/32	\$50.51

### 74759-55

-55 IP x -55 IP



Part No.	Size	Carton PCS/WT	Price
5131-208	3/4"	25/26	\$44.53

### 74759-3G

-3G PEP-7 x -3G PEP-7



Part No.	Size	Carton PCS/WT	Price
	3/4"	25/32	\$50.51

## OPTIONS

See page 9 for pricing of the following:

- For Handyloc - Replace "Q" with "H" or "-3Q" with "-3H" in 3/4" & 1" **only**.
- For C903 tube - Replace "Q" with "K". On "Q" Series options only 3/4" & 1" **only**.
- For valve or fitting less flare nut add "L" to end of model number.
- CTS Anode (QA) & Flare Anode (A) - Replace "Q" with "QA" or add "A" to flare.
- Insert stiffeners are **required** on all flexible plastic connections. (See page 10 for stiffeners)



## Di-Electric Straight Assemblies

PREVENTS ELECTRICITY FROM PASSING THROUGH THE LINE

A.Y. McDonald Service Fittings are manufactured to meet or exceed the AWWA C800 (latest revision) standard. Our service fittings are rated to withstand the same pressures as the tubing they are designed to fit. They are designed and tested for cold potable water only. EPDM rubber gaskets are used in our Compression fittings.

### 74758DB

Flare x Flare



Part No.	Size	Carton PCS/WT	Price
5121-496	3/4"	25/34	\$104.78
5142-451	3/4" x 1"	20/36	\$129.23
5121-497	1"	20/46	\$153.66
5121-494	1 1/2"	20/46	\$356.55
5121-495	2"	4/41	\$664.44

### 74758DB-22

-22 CTS x -22 CTS



Part No.	Size	Carton PCS/WT	Price
5121-498	3/4"	25/28	\$95.17
5120-100	1"	20/32	\$123.01
5120-098	1 1/2"	8/37	\$289.13
5120-099	2"	4/25	\$454.10

### 74758DB-22-44

-22 CTS x -44 PVC



Part No.	Size	Carton PCS/WT	Price
	3/4"	15/19	\$96.82
	3/4" x 1"	25/45	\$101.12
5122-042	1"	15/34	\$148.39
	1" x 3/4"	25/34	\$128.86
	1 1/2"	10/42	\$304.96
	2"	4/26	\$458.23

### 74755DB

Flare x Female Flare



Part No.	Size	Carton PCS/WT	Price
5121-017	3/4"	25/27	\$79.24
5122-050	3/4" x 1"	25/31	\$98.49
5121-019	1"	20/36	\$117.71
5123-113	1 1/2"	8/37	\$274.16
5123-114	2"	4/32	\$481.34

### 74755DB-22

-22 CTS x Female Flare



Part No.	Size	Carton PCS/WT	Price
5121-054	3/4"	25/24	\$85.75
5121-055	1"	25/36	\$118.48
5121-056	1 1/2"	10/35	\$285.70
5121-057	2"	4/23	\$452.27

### 74758DB-22-55

-22 CTS x -55 IP



Part No.	Size	Carton PCS/WT	Price
5120-448	3/4"	15/19	\$96.84
5122-070	3/4" x 1"	20/36	\$101.12
5121-096	1"	15/35	\$148.39
5121-095	1" x 3/4"	25/34	\$128.86
5122-138	1 1/2"	8/34	\$304.96
5122-137	2"	4/26	\$458.23

### 74758DB-22-67

-22 CTS x -67 X Strong Lead



Part No.	Size	Carton PCS/WT	Price
5180-131	1"	15/30	\$235.23
5122-043	1" x 3/4"	15/23	\$174.32
5180-132	1 1/2" x 3/4"	15/37	\$260.29

### 74758DBG

G CTS x G CTS



Part No.	Size	Carton PCS/WT	Price
5191-228	3/4"	25/32	\$95.17
5192-227	1"	20/42	\$123.01

### 74755DBQ

Q CTS x Female Flare



Part No.	Size	Carton PCS/WT	Price
5182-225	3/4"	25/24	\$85.75
5182-370	1"	25/38	\$118.48
5183-113	1 1/2"	10/33	\$285.70
5183-110	2"	4/21	\$452.27

### 74755DBT

T CTS x Female Flare



Part No.	Size	Carton PCS/WT	Price
5121-053	3/4"	25/25	\$85.75
5121-027	1"	25/38	\$118.48
5142-468	1 1/2"	10/32	\$285.70
5142-469	2"	4/21	\$452.27

### 74758DBQ

Q CTS x Q CTS



Part No.	Size	Carton PCS/WT	Price
5182-471	3/4"	25/31	\$95.17
5182-431	1"	20/34	\$123.01

### 74758DBT

T CTS x T CTS



Part No.	Size	Carton PCS/WT	Price
5123-132	3/4"	25/30	\$95.17
5123-133	1"	20/36	\$123.01
5123-134	1 1/2"	10/32	\$289.13
5123-135	2"	4/20	\$454.10

### 74779DBT Quarter Bend

T CTS x FNPT



Part No.	Size	Carton PCS/WT	Price
5121-489	2"	3/27	\$560.16

### 74758DBQ-U4

Q CTS x U4



Part No.	Size	Carton PCS/WT	Price
5141-400	3/4" x U4	5/19	\$240.46
5141-425	1" x U4	5/18	\$235.30

### 74758DBQ-U5

Q CTS x U5



Part No.	Size	Carton PCS/WT	Price
5141-401	1" x U5	5/20	\$255.09

## OPTIONS

See page 9 for pricing of the following:

- For Handyloc - Replace "Q" with "H" or "-3Q" with "-3H" in 3/4" & 1" **only**.
- For C903 tube - Replace "Q" with "K". On "Q" Series options only 3/4" & 1" **only**.
- For valve or fitting less flare nut add "L" to end of model number.
- CTS Anode (QA) & Flare Anode (A) - Replace "Q" with "QA" or add "A" to flare.
- Insert stiffeners are **required** on all flexible plastic connections. (See page 10 for stiffeners)





# Elbows - Eighth Bend - Forty-Five

## ONE END MALE NATIONAL PIPE THREAD

A.Y. McDonald Service Fittings are manufactured to meet or exceed the AWWA C800 (latest revision) standard. Our service fittings are rated to withstand the same pressures as the tubing they are designed to fit. They are designed and tested for cold potable water only. EPDM rubber gaskets are used in our Compression fittings.

### 74750P

Flare x MNPT



Part No.	Size	Carton PCS/WT	Price
5122-203	1" x 3/4"	20/23	\$48.41
5119-198	1 1/2"	6/22	\$179.81

### 74750P-22

-22 CTS x MNPT



Part No.	Size	Carton PCS/WT	Price
5120-456	3/4"	25/16	\$40.48
	3/4" x 1"	20/23	\$54.32
5120-458	1"	25/23	\$55.05
5122-203	1" x 3/4"	20/22	\$54.33
5141-343	1 1/4" x 1"	25/35	\$83.36
5141-345	1 1/2" x 1"	20/34	\$129.26
5125-183	1 1/2"	6/16	\$171.71
	2"	4/10	\$226.71

### 74750PG

G CTS x MNPT



Size	Carton PCS/WT	Price
5192-316 3/4"	25/18	\$40.48
3/4" x 1"	20/23	\$54.32
5192-317 1"	25/29	\$55.05
1" x 3/4"		\$54.33
5125-185 1 1/2"	6/16	\$171.71
5192-313 1 1/4" x 1"	25/40	\$83.36
5192-314 1 1/2" x 1"	20/36	\$129.26
5192-485 2"	4/10	\$226.71

### 74750PQ

Q CTS x MNPT



Part No.	Size	Carton PCS/WT	Price
5183-150	3/4"	25/17	\$40.48
	3/4" x 1"	20/23	\$54.33
5183-151	1"	25/27	\$55.05
5183-446	1" x 3/4"	20/23	\$54.33
5183-146	1 1/4" x 1"	25/37	\$83.36
5125-184	1 1/2"	6/15	\$171.71
5183-147	1 1/2" x 1"	25/37	\$129.26
5183-412	2"	4/10	\$226.71

### 74750PT

T CTS x MNPT



Part No.	Size	Carton PCS/WT	Price
5120-457	3/4"	25/17	\$40.48
	3/4" x 1"	20/23	\$54.32
5120-459	1"	25/26	\$55.05
	1" x 3/4"		\$54.33
5141-344	1 1/4" x 1"	25/35	\$83.36
5125-182	1 1/2"	6/16	\$171.71
5141-346	1 1/2" x 1"	25/34	\$129.26
	2"	4/10	\$226.71

### 74750P-33

-33 PEP-7 x MNPT



Part No.	Size	Carton PCS/WT	Price
	3/4"	20/24	\$54.32
5141-387	3/4" x 1"	25/37	\$60.58
5141-340	1"	25/36	\$92.57

### 74750P-34

-34 PEP-9 x MNPT



Part No.	Size	Carton PCS/WT	Price
	3/4"	20/24	\$54.32
	3/4" x 1"	25/37	\$60.58
	1"	25/36	\$92.57

### 74750P-3G

-3G PEP-7 x MNPT



Part No.	Size	Carton PCS/WT	Price
	3/4"	20/24	\$54.32
5192-368	3/4" x 1"	25/37	\$60.58
5192-312	1"	25/36	\$92.57

### 74750P-3Q

-3Q PEP-7 x MNPT



Size	Carton PCS/WT	Price
5183-447 3/4"	20/24	\$54.33
5183-266 3/4" x 1"	25/37	\$60.58
5183-145 1"	25/37	\$92.57

### 74750P-44

-44 PVC x MNPT



Part No.	Size	Carton PCS/WT	Price
	3/4"	20/24	\$54.32
5141-388	3/4" x 1"	25/37	\$60.58
5141-341	1"	25/35	\$92.57
5119-199	1 1/2"	6/18	

### 74750P-55

-55 IP x MNPT



Part No.	Size	Carton PCS/WT	Price
	3/4"	20/24	\$54.32
5141-389	3/4" x 1"	25/37	\$60.58
5141-342	1"	25/35	\$92.57
5125-186	1 1/2"	6/19	\$187.56

## OPTIONS

See page 9 for pricing of the following:

- For Handyloc - Replace "Q" with "H" or "-3Q" with "-3H" in 3/4" & 1" **only**.
- For C903 tube - Replace "Q" with "K". On "Q" Series options only 3/4" & 1" **only**.
- For valve or fitting less flare nut add "L" to end of model number.
- CTS Anode (QA) & Flare Anode (A) - Replace "Q" with "QA" or add "A" to flare.
- Insert stiffeners are **required** on all flexible plastic connections. (See page 10 for stiffeners)



## Elbows - Eighth Bend - Forty-Five

### ONE END FEMALE NATIONAL PIPE THREAD

A.Y. McDonald Service Fittings are manufactured to meet or exceed the AWWA C800 (latest revision) standard. Our service fittings are rated to withstand the same pressures as the tubing they are designed to fit. They are designed and tested for cold potable water only. EPDM rubber gaskets are used in our Compression fittings.

#### 74747

Flare x FNPT



Part No.	Size	Carton PCS/WT	Price
5120-131	3/4"	25/20	\$40.59
5121-023	3/4" x 1"	25/24	\$35.28
5121-130	1"	25/29	\$67.75
5121-024	1" x 1 1/4"	20/26	\$65.69
5122-075	1 1/4" x 1 1/2"	10/24	\$149.50
5125-187	1 1/2"	6/24	\$155.35
5122-079	1 1/2" x 2"	6/21	\$190.97
5122-081	2" x 2 1/2"	4/25	\$356.07

#### 74747-22

-22 CTS x FNPT



Part No.	Size	Carton PCS/WT	Price
5120-411	3/4"	25/17	\$52.48
5120-407	3/4" x 1"	25/22	\$50.78
5121-169	1"	25/24	\$103.38
5122-120	1" x 3/4"	25/31	\$78.31
	1" x 1 1/4"	20/25	\$71.53
5122-074	1 1/4" x 1 1/2"	10/22	\$152.31
5125-190	1 1/2"	6/19	\$173.44
5122-076	1 1/2" x 2"	6/16	\$194.57
5119-183	2"	4/17	\$267.61
5122-077	2" x 2 1/2"	4/17	\$310.74

#### 74747G

G CTS x FNPT



Part No.	Size	Carton PCS/WT	Price
5120-412	3/4"	25/21	\$52.48
5120-408	3/4" x 1"	25/24	\$50.78
	1"	25/24	\$103.36
	1" x 3/4"	25/31	\$78.30
	1" x 1 1/4"	20/25	\$71.53
5125-192	1 1/2"	6/19	\$173.44

#### 74747Q

Q CTS x FNPT



Part No.	Size	Carton PCS/WT	Price
5120-413	3/4"	25/18	\$52.48
5120-409	3/4" x 1"	25/22	\$50.78
5122-123	1"	25/28	\$103.38
5122-116	1" x 3/4"	25/34	\$78.31
5183-259	1" x 1 1/4"	20/25	\$71.55
5125-191	1 1/2"	6/17	\$173.44

#### 74747T

T CTS x FNPT



Part No.	Size	Carton PCS/WT	Price
5120-414	3/4"	25/18	\$52.48
5120-410	3/4" x 1"	25/23	\$50.78
5121-170	1"	25/26	\$103.38
	1" x 3/4"	25/31	\$78.30
	1" x 1 1/4"	20/25	\$71.53
	1 1/4" x 1 1/2"	10/22	\$152.30
5125-189	1 1/2"	6/16	\$173.44
	1 1/2" x 2"	6/16	\$194.57
	2" x 2 1/2"	4/17	\$310.74

#### 74747-33

-33 PEP-7 x FNPT



Part No.	Size	Carton PCS/WT	Price
5122-119	3/4"	25/32	\$70.93
	3/4" x 1 1/4"	20/25	\$70.93
5122-082	2" x 2 1/2"	4/21	\$499.18

#### 74747-34

-34 PEP-9 x FNPT



Part No.	Size	Carton PCS/WT	Price
	3/4"	25/32	\$70.93
	3/4" x 1 1/4"	20/25	\$70.93
	2" x 2 1/2"	4/21	\$499.18

#### 74747-3Q

-3Q PEP-7 x FNPT



Part No.	Size	Carton PCS/WT	Price
5122-115	3/4"	25/34	\$70.93
5183-260	3/4" x 1 1/4"		\$70.93

#### 74747-3G

-3G PEP-7 x FNPT



Part No.	Size	Carton PCS/WT	Price
	3/4"	25/34	\$70.93
	3/4" x 1 1/4"	20/25	\$70.93

#### 74747-44

-44 PVC x FNPT



Part No.	Size	Carton PCS/WT	Price
	3/4"	25/34	\$70.93
	3/4" x 1 1/4"	20/25	\$70.93
5125-188	1 1/2"	6/20	\$181.35
5122-080	1 1/2" x 2"	6/20	\$267.74
5122-083	2" x 2 1/2"	4/22	\$499.18

#### 74747-55

-55 IP x FNPT



Part No.	Size	Carton PCS/WT	Price
	3/4"	25/34	\$70.93
	3/4" x 1 1/4"	20/25	\$70.93
	1 1/2" x 2"	6/20	\$267.74
5012-193	1 1/2"	6/22	\$189.29
	2" x 2 1/2"	4/22	\$499.18

### OPTIONS

See page 9 for pricing of the following:

- For Handyloc - Replace "Q" with "H" or "-3Q" with "-3H" in 3/4" & 1" **only**.
- For C903 tube - Replace "Q" with "K". On "Q" Series options only 3/4" & 1" **only**.
- For valve or fitting less flare nut add "L" to end of model number.
- CTS Anode (QA) & Flare Anode (A) - Replace "Q" with "QA" or add "A" to flare.
- Insert stiffeners are **required** on all flexible plastic connections. (See page 10 for stiffeners)



# Elbows - Eighth Bend - Forty-Five

## ONE END

A.Y. McDonald Service Fittings are manufactured to meet or exceed the AWWA C800 (latest revision) standard. Our service fittings are rated to withstand the same pressures as the tubing they are designed to fit. They are designed and tested for cold potable water only. EPDM rubber gaskets are used in our Compression fittings.

### 74748-22

-22 CTS x -22 CTS



Part No.	Size	Carton PCS/WT	Price
5125-144	3/4"	25/25	\$58.91
5125-148	1"	25/33	\$102.23
5119-197	2"		\$393.93

### 74748-33

-33 PEP x -33 PEP



Part No.	Size	Carton PCS/WT	Price
5125-151	3/4"	25/45	\$73.25

### 74748-55

-55 IP x -55 IP



Part No.	Size	Carton PCS/WT	Price
5125-153	3/4"	25/45	\$61.14

### 74748Q

Q CTS x Q CTS



Part No.	Size	Carton PCS/WT	Price
5125-141	3/4"	25/25	\$58.91
5125-145	1"	25/33	\$102.23
5183-372	2"	25/33	\$393.93

### 74748-3Q

-3Q PEP x -3Q PEP



Part No.	Size	Carton PCS/WT	Price
5125-149	3/4"	25/45	\$73.25

### 74748G

G CTS x G CTS



Part No.	Size	Carton PCS/WT	Price
5125-142	3/4"	25/25	\$58.91
5125-146	1"	25/33	\$102.23

### 74748-3G

-3G PEP x -3G PEP



Part No.	Size	Carton PCS/WT	Price
5125-150	3/4"	25/45	\$73.25

### 74748T

T CTS x T CTS



Part No.	Size	Carton PCS/WT	Price
5125-143	3/4"	25/25	\$58.91
5125-147	1"	25/33	\$102.23

### 74748-44

-44 PVC x -44 PVC



Part No.	Size	Carton PCS/WT	Price
5125-152	3/4"	25/45	\$69.15

## OPTIONS

See page 9 for pricing of the following:

- For Handyloc - Replace "Q" with "H" or "-3Q" with "-3H" in 3/4" & 1" **only**.
- For C903 tube - Replace "Q" with "K". On "Q" Series options only 3/4" & 1" **only**.
- For valve or fitting less flare nut add "L" to end of model number.
- CTS Anode (QA) & Flare Anode (A) - Replace "Q" with "QA" or add "A" to flare.
- Insert stiffeners are **required** on all flexible plastic connections. (See page 10 for stiffeners)



## Elbows - Eighth Bend - Forty-Five

### ONE END FEMALE COPPER FLARE FIXED & SWIVEL ENDS

A.Y. McDonald Service Fittings are manufactured to meet or exceed the AWWA C800 (latest revision) standard. Our service fittings are rated to withstand the same pressures as the tubing they are designed to fit. They are designed and tested for cold potable water only. EPDM rubber gaskets are used in our Compression fittings.

#### 74750

Fixed Female Flare x Flare



Part No.	Size	Carton PCS/WT	Price
5120-138	3/4"	25/24	\$41.15
5121-138	1"	25/39	\$60.67

#### 74750G

Fixed Female Flare x G CTS



Part No.	Size	Carton PCS/WT	Price
5191-229	3/4"	25/24	\$43.65
5192-381	1"	25/34	\$70.65

#### 74750-3Q

Fixed Female Flare x -3Q PEP-7



Part No.	Size	Carton PCS/WT	Price
5183-258	1 x 3/4"	25/32	\$77.96

#### 74750-22

Fixed Female Flare x -22 CTS



Part No.	Size	Carton PCS/WT	Price
5140-104	3/4"	25/20	\$43.65
5141-125	1"	25/30	\$70.59

#### 74750Q

Fixed Female Flare x Q CTS



Part No.	Size	Carton PCS/WT	Price
5183-093	3/4"	25/24	\$43.65
5183-257	1"	25/32	\$70.65

#### 74750T

Fixed Female Flare x T CTS



Part No.	Size	Carton PCS/WT	Price
5120-196	3/4"	25/22	\$43.65
5121-196	1"	25/30	\$70.59

#### 74750S

Swivel Female Flare x Flare



Part No.	Size	Carton PCS/WT	Price
5120-198	3/4"	25/31	\$52.86
5122-202	3/4" x 1"	20/25	\$62.54
5122-177	1"	20/40	\$72.05
5122-089	1 1/4"	10/28	\$180.11
5122-178	1 1/2"	6/32	\$326.46
5122-179	2"	3/26	\$462.08

#### 74750SG

Swivel Female Flare x G CTS



Part No.	Size	Carton PCS/WT	Price
5192-245	3/4"	25/30	\$59.65
	3/4" x 1"	20/25	\$72.28
5191-221	1"	20/38	\$84.83
	1 1/4"	10/24	\$212.06
5192-335	1 1/2"	6/26	\$297.25
5183-130	2"	3/18	\$420.74

#### 74750S-33

Swivel Female Flare x -33 PEP-7



Part No.	Size	Carton PCS/WT	Price
5119-195	3/4"	20/26	\$72.28
5122-131	1"	10/22	\$129.28
5119-182	2" x 1 1/2"	3/21	\$321.37
5125-224	2"		\$443.88

#### 74750S-22

Swivel Female Flare x -22 CTS



Part No.	Size	Carton PCS/WT	Price
5122-195	3/4"	25/26	\$59.65
5117-170	3/4" x 1"	20/25	\$72.28
5122-191	1"	20/33	\$84.83
5122-086	1 1/4"	10/24	\$212.06
5122-192	1 1/2"	6/26	\$297.25
5122-193	2"	3/20	\$420.74

#### 74750SQ

Swivel Female Flare x Q CTS



Part No.	Size	Carton PCS/WT	Price
5182-382	3/4"	25/27	\$59.65
5183-444	3/4" x 1"	20/29	\$72.28
5182-383	1"	20/36	\$84.83
5122-087	1 1/4"	10/27	\$212.06
5182-384	1 1/2"	6/25	\$297.25
5182-385	2"	3/18	\$420.74

#### 74750S-3Q

Swivel Female Flare x -3Q PEP-7



Part No.	Size	Carton PCS/WT	Price
5183-445	3/4"	20/26	\$72.28
5122-132	1"	10/22	\$129.28

#### 74750SF

Swivel Female Flare x FNPT



Part No.	Size	Carton PCS/WT	Price
5183-450	1"	20/23	\$54.33

#### 74750ST

Swivel Female Flare x T CTS



Part No.	Size	Carton PCS/WT	Price
5122-194	3/4"	25/28	\$59.65
	3/4" x 1"	20/25	\$72.28
5122-188	1"	20/35	\$84.83
5122-088	1 1/4"	10/24	\$212.06
5122-189	1 1/2"	6/24	\$297.25
5122-190	2"	3/18	\$420.74

#### 74750S-34

Swivel Female Flare x -34 PEP-9



Part No.	Size	Carton PCS/WT	Price
	3/4"	20/26	\$72.28
5123-223	1"	10/22	\$129.28

#### 74750S-44

Swivel Female Flare x -44 PVC



Part No.	Size	Carton PCS/WT	Price
5130-014	1 1/2"	6/28	\$258.66
5130-015	2"	3/23	\$384.08

### OPTIONS

See page 9 for pricing of the following:

- For Handyloc - Replace "Q" with "H" or "-3Q" with "-3H" in 3/4" & 1" **only**.
- For C903 tube - Replace "Q" with "K". On "Q" Series options only 3/4" & 1" **only**.
- For valve or fitting less flare nut add "L" to end of model number.
- CTS Anode (QA) & Flare Anode (A) - Replace "Q" with "QA" or add "A" to flare.
- Insert stiffeners are **required** on all flexible plastic connections. (See page 10 for stiffeners)

### Notes

4755GSKT copper gasket included with all 74750 connections



# Elbows - Quarter Bend - Ninety

## ONE END MALE NATIONAL PIPE THREAD

A.Y. McDonald Service Fittings are manufactured to meet or exceed the AWWA C800 (latest revision) standard. Our service fittings are rated to withstand the same pressures as the tubing they are designed to fit. They are designed and tested for cold potable water only. EPDM rubber gaskets are used in our Compression fittings.

### 74779MF

FNPT x MNPT



Part No.	Size	Carton PCS/WT	Price
5142-462	1"	25/23	\$68.06
5142-461	1 1/2"	5/13	\$255.94
5123-115	2"	6/27	\$365.99

### 74779M

Flare x MNPT



Part No.	Size	Carton PCS/WT	Price
5120-154	3/4"	25/18	\$31.64
5121-160	1"	25/33	\$52.48
5142-006	1" x 3/4"	25/30	\$44.32
5122-159	1 1/2"	5/17	\$188.01
5122-160	2"	6/39	\$320.49

### 74779M-22

-22 CTS x MNPT



Part No.	Size	Carton PCS/WT	Price
5140-102	3/4"	25/15	\$36.34
5141-124	1"	25/27	\$60.51
5142-000	1" x 3/4"	25/24	\$49.31
5142-004	1 1/4" x 1"	20/37	\$101.49
5142-110	1 1/2"	5/12	\$175.74
5142-111	2"	6/21	\$251.85

### 74779MG

G CTS x MNPT



Part No.	Size	Carton PCS/WT	Price
5192-141	3/4"	25/19	\$36.34
5192-041	1"	25/32	\$60.51
5192-337	1" x 3/4"	25/30	\$49.31
	1 1/4" x 1"	20/37	\$101.49
5192-246	1 1/2"	8/20	\$175.74
5192-075	2"	8/26	\$251.85

### OPTIONS

See page 9 for pricing of the following:

- For Handyloc - Replace "Q" with "H" or "-3Q" with "-3H" in 3/4" & 1" **only**.
- For C903 tube - Replace "Q" with "K". On "Q" Series options only 3/4" & 1" **only**.
- For valve or fitting less flare nut add "L" to end of model number.
- CTS Anode (QA) & Flare Anode (A) - Replace "Q" with "QA" or add "A" to flare.
- Insert stiffeners are **required** on all flexible plastic connections. (See page 10 for stiffeners)

### 74779MQ

Q CTS x MNPT



Part No.	Size	Carton PCS/WT	Price
5182-022	3/4"	25/17	\$36.34
5182-067	1"	25/32	\$60.51
5181-212	1" x 3/4"	25/29	\$49.31
5182-146	1 1/4" x 1"	20/39	\$101.49
5182-099	1 1/2"	8/17	\$175.74
5182-090	2"	8/23	\$251.85

### 74779MT

T CTS x MNPT



Part No.	Size	Carton PCS/WT	Price
5120-192	3/4"	25/15	\$36.34
5120-195	1"	25/29	\$60.51
5142-001	1" x 3/4"	25/27	\$49.31
5142-005	1 1/4" x 1"	20/37	\$101.49
5132-151	1 1/2"	8/17	\$175.74
5132-152	2"	8/22	\$251.85

### 74779M-33

-33 PEP-7 x MNPT



Part No.	Size	Carton PCS/WT	Price
5142-131	3/4"	25/26	\$56.74
5142-132	1"	20/36	\$92.66
5131-031	2"	6/32	\$241.17

### 74779M-3G

-3G PEP-7 x MNPT



Part No.	Size	Carton PCS/WT	Price
5192-161	3/4"	25/31	\$56.74
5192-162	1"	16/32	\$92.66

### 74779M-3Q

-3Q PEP-7 x MNPT



Part No.	Size	Carton PCS/WT	Price
5182-277	3/4"	25/28	\$56.74
5142-222	1"	20/37	\$92.66

### 74779M-34

-34 PEP-9 x MNPT



Part No.	Size	Carton PCS/WT	Price
5123-188	3/4"	25/26	\$56.74
5123-219	1"	20/36	\$92.66
	2"	6/32	\$241.16

### 74779M-44

-44 PVC x MNPT



Part No.	Size	Carton PCS/WT	Price
5142-179	3/4"	25/27	\$48.55
5142-180	1"	20/36	\$79.36
5132-205	1 1/2"	5/17	\$198.14
5132-195	2"	6/32	\$262.65

### 74779M-55

-55 IP x MNPT



Part No.	Size	Carton PCS/WT	Price
5146-145	3/4"	25/24	\$41.96
5146-146	1"	20/38	\$74.03
5132-319	1 1/2"	5/18	\$185.94
5132-264	2"	6/29	\$281.87



## Elbows - Quarter Bend - Ninety

### ONE END FEMALE NATIONAL PIPE THREAD

A.Y. McDonald Service Fittings are manufactured to meet or exceed the AWWA C800 (latest revision) standard. Our service fittings are rated to withstand the same pressures as the tubing they are designed to fit. They are designed and tested for cold potable water only. EPDM rubber gaskets are used in our Compression fittings.

#### 74779

Flare x FNPT



Part No.	Size	Carton PCS/WT	Price
5120-153	3/4"	25/23	\$35.45
5121-025	3/4" x 1"	20/19	\$45.18
5121-159	1"	20/33	\$58.44
5121-026	1" x 1 1/4"	20/30	\$74.79
5122-004	1 1/2"	6/28	\$188.70
5122-000	2"	3/24	\$314.52

#### 74779Q

Q CTS x FNPT



Part No.	Size	Carton PCS/WT	Price
5182-140	3/4"	20/17	\$47.13
5182-436	3/4" x 1"	20/17	\$52.02
5182-446	3/4" x 1 1/4"	20/35	\$88.33
5182-065	1"	25/39	\$76.82
5121-476	1" x 3/4"	25/27	\$84.57
5123-107	1" x 1 1/4"	20/29	\$88.33
5183-141	1 1/4" x 1"	20/40	\$86.05
5182-184	1 1/2"	6/14	\$194.50
5182-185	2"	4/15	\$278.06

#### 74779-3G

-3G PEP-7 x FNPT



Part No.	Size	Carton PCS/WT	Price
5121-471	3/4"	25/30	\$84.57
5192-308	1"	20/39	\$86.05

#### 74779-22

-22 CTS x FNPT



Part No.	Size	Carton PCS/WT	Price
5145-123	3/4"	20/17	\$47.13
5182-438	3/4" x 1"	20/16	\$52.02
5121-098	3/4" x 1 1/4"	16/32	\$88.33
5145-125	1"	25/36	\$76.82
5121-473	1" x 3/4"	25/24	\$84.57
5123-109	1" x 1 1/4"	20/25	\$88.33
5183-143	1 1/4" x 1"	20/39	\$86.05
5122-006	1 1/2"	6/17	\$194.50
5122-002	2"	4/17	\$278.06

#### 74779T

T CTS x FNPT



Part No.	Size	Carton PCS/WT	Price
5145-122	3/4"	20/17	\$47.13
5182-437	3/4" x 1"	20/17	\$52.02
5121-097	3/4" x 1 1/4"	16/32	\$88.33
5145-124	1"	25/38	\$76.82
5121-475	1" x 3/4"	25/27	\$84.57
5123-108	1" x 1 1/4"	20/28	\$88.33
5183-142	1 1/4" x 1"	20/37	\$86.05
5122-005	1 1/2"	6/14	\$194.50
5122-001	2"	4/15	\$278.06

#### 74779-3Q

-3Q PEP-7 x FNPT



Part No.	Size	Carton PCS/WT	Price
5121-472	3/4"	25/28	\$84.57
5183-140	1"	16/33	\$86.05

#### 74779G

G CTS x FNPT



Part No.	Size	Carton PCS/WT	Price
5192-138	3/4"	20/19	\$47.13
5192-270	3/4" x 1"	20/19	\$52.02
	3/4" x 1 1/4"	20/40	\$88.33
5192-039	1"	20/33	\$76.82
5121-474	1" x 3/4"	25/28	\$84.57
5192-480	1" x 1 1/4"	20/25	\$88.33
5192-309	1 1/4" x 1"	16/40	\$86.05
5192-310	1 1/2"	6/16	\$194.50
5192-067	2"	4/16	\$278.06

#### 74779-33

-33 PEP-7 x FNPT



Part No.	Size	Carton PCS/WT	Price
5121-468	3/4"	25/26	\$84.57
5183-137	1"	20/40	\$86.05

#### 74779-44

-44 PVC x FNPT



Part No.	Size	Carton PCS/WT	Price
5121-469	3/4"	25/27	\$69.18
5183-138	1"	20/39	\$70.40
5122-007	1 1/2"	6/23	\$197.22
5122-003	2"	3/17	\$287.15

#### 74779-55

-55 IP x FNPT



Part No.	Size	Carton PCS/WT	Price
5121-470	3/4"	25/24	\$69.18
5183-139	1"	20/38	\$60.58
	1 1/2"	6/23	\$197.20
5123-004	2"	3/18	\$287.15

#### 74779-34

-34 PEP-9 x FNPT



Part No.	Size	Carton PCS/WT	Price
	3/4"	25/26	\$84.57
	1"	20/40	\$86.04

### OPTIONS

See page 9 for pricing of the following:

- For Handyloc - Replace "Q" with "H" or "-3Q" with "-3H" in 3/4" & 1" **only**.
- For C903 tube - Replace "Q" with "K". On "Q" Series options only 3/4" & 1" **only**.
- For valve or fitting less flare nut add "L" to end of model number.
- CTS Anode (QA) & Flare Anode (A) - Replace "Q" with "QA" or add "A" to flare.
- Insert stiffeners are **required** on all flexible plastic connections. (See page 10 for stiffeners)



# Elbows - Quarter Bend - Ninety

A.Y. McDonald Service Fittings are manufactured to meet or exceed the AWWA C800 (latest revision) standard. Our service fittings are rated to withstand the same pressures as the tubing they are designed to fit. They are designed and tested for cold potable water only. EPDM rubber gaskets are used in our Compression fittings.

## 74761

Flare x Flare



Part No.	Size	Carton PCS/WT	Price
5120-146	3/4"	25/27	\$39.78
5121-150	1"	15/29	\$66.20
5122-165	1 1/2"	6/37	\$278.88
5122-171	2"	3/32	\$384.36

## 74761F

FNPT x FNPT



Part No.	Size	Carton PCS/WT	Price
5122-139	1"	25/31	\$68.33

## 74761-22

-22 CTS x -22 CTS



Part No.	Size	Carton PCS/WT	Price
5140-103	3/4"	25/24	\$52.23
5120-443	3/4" x 1"	25/30	\$58.89
5141-123	1"	15/21	\$67.20
5141-467	1" x 1 1/4"	20/40	\$89.21
5131-212	1 1/4"	15/36	\$121.27
5122-153	1 1/2"	8/26	\$215.59
5122-156	2"	5/24	\$436.18
5119-160	2 1/2"	3/20	\$472.70

## 74761G

G CTS x G CTS



Part No.	Size	Carton PCS/WT	Price
5192-031	3/4"	25/29	\$52.23
5192-276	3/4" x 1"	25/38	\$58.89
5192-038	1"	15/28	\$67.20
5192-439	1" x 1 1/4"	16/32	\$89.21
5192-388	1 1/4"	15/38	\$121.27
5192-068	1 1/2"	8/28	\$215.59
5192-046	2"	5/23	\$436.18

## 74761Q

Q CTS x Q CTS



Part No.	Size	Carton PCS/WT	Price
5182-021	3/4"	25/26	\$52.23
5183-125	3/4" x 1"	25/35	\$58.89
5182-064	1"	15/27	\$67.20
5183-224	1" x 1 1/4"	16/32	\$89.21
5182-145	1 1/4"	15/38	\$121.27
5182-098	1 1/2"	8/23	\$215.59
5182-089	2"	5/18	\$436.18

## 74761T

T CTS x T CTS



Part No.	Size	Carton PCS/WT	Price
5120-193	3/4"	25/25	\$52.23
5120-444	3/4" x 1"	25/34	\$58.89
5120-194	1"	15/24	\$67.20
5131-213	1 1/4"	15/34	\$121.27
5122-199	1 1/2"	8/21	\$215.59
5122-155	2"	5/19	\$436.18

## 74761-33

-33 PEP-7 x -33 PEP-7



Part No.	Size	Carton PCS/WT	Price
5120-165	3/4"	10/15	\$73.63
5131-209	1"	15/36	\$114.24
5131-021	1 1/2"	3/25	\$273.99
5131-032	2"	3/22	\$488.08

## 74761-3G

-3G PEP-7 x -3G PEP-7



Part No.	Size	Carton PCS/WT	Price
5192-377	3/4"	10/19	\$73.63
	3/4" x 1"	20/40	\$89.21
5192-371	1"	15/36	\$114.24

## 74761-3Q

-3Q PEP-7 x -3Q PEP-7



Part No.	Size	Carton PCS/WT	Price
5182-251	3/4"	10/18	\$73.63
5183-225	3/4" x 1"	16/32	\$89.21
5182-239	1"	15/37	\$114.24

## 74761-34

-34 PEP-9 x -34 PEP-9



Part No.	Size	Carton PCS/WT	Price
5123-189	3/4"	10/15	\$73.63
5123-220	1"	15/36	\$114.24
5125-130	1 1/2"	3/14	\$273.99
	2"	3/22	\$488.08

## 74761-44

-44 PVC x -44 PVC



Part No.	Size	Carton PCS/WT	Price
5120-166	3/4"	10/15	\$69.85
5131-210	1"	15/36	\$123.41
5130-025	1 1/4"	6/34	\$236.56
5132-204	1 1/2"	8/34	\$268.39
5132-194	2"	3/20	\$472.70

## 74761-55

-55 IP x -55 IP



Part No.	Size	Carton PCS/WT	Price
5120-167	3/4"	10/14	\$61.77
5131-211	1"	15/37	\$111.25
5132-318	1 1/2"	8/35	\$153.37
5132-263	2"	3/21	\$355.56

### OPTIONS

See page 9 for pricing of the following:

- For Handyloc - Replace "Q" with "H" or "-3Q" with "-3H" in 3/4" & 1" **only**.
- For C903 tube - Replace "Q" with "K". On "Q" Series options only 3/4" & 1" **only**.
- For valve or fitting less flare nut add "L" to end of model number.
- CTS Anode (QA) & Flare Anode (A) - Replace "Q" with "QA" or add "A" to flare.
- Insert stiffeners are **required** on all flexible plastic connections. (See page 10 for stiffeners)

## Elbows - Quarter Bend - Ninety

A.Y. McDonald Service Fittings are manufactured to meet or exceed the AWWA C800 (latest revision) standard. Our service fittings are rated to withstand the same pressures as the tubing they are designed to fit. They are designed and tested for cold potable water only. EPDM rubber gaskets are used in our Compression fittings.

### 74761-22-44

-22 CTS x -44 PVC



Part No.	Size	Carton PCS/WT	Price
5120-438	3/4"	25/32	\$57.33
5141-435	1"	16/34	\$88.29
5141-451	1" x 3/4"	10/8	\$83.46

### 74761G-55

G CTS x -55 IP



Part No.	Size	Carton PCS/WT	Price
5192-344	3/4"	25/33	\$57.46

### 74761T-44

T CTS x -44 PVC



Part No.	Size	Carton PCS/WT	Price
5120-441	3/4"	25/32	\$57.33

### 74761-22-55

-22 CTS x -55 IP



Part No.	Size	Carton PCS/WT	Price
5120-439	3/4"	25/29	\$57.46
5183-234	1"	16/35	\$88.29

### 74761Q-33

Q CTS x -33 PEP-7



Part No.	Size	Carton PCS/WT	Price
	3/4"	25/32	\$58.22
5183-324	1"	16/36	\$89.34
5183-325	1" x 3/4"	10/17	\$91.22

### 74761T-55

T CTS x -55 IP



Part No.	Size	Carton PCS/WT	Price
5120-442	3/4"	25/29	\$57.46

### 74761-44-55

-44 PVC x -55 IP



Part No.	Size	Carton PCS/WT	Price
	3/4"	10/15	\$69.85
	1"	15/36	\$123.41
5132-324	2"	3/22	\$414.11

### 74761Q-3Q

Q CTS x -3Q PEP-7



Part No.	Size	Carton PCS/WT	Price
5183-124	3/4"	25/32	\$58.22
5183-226	1"	16/38	\$89.21
5183-249	1" x 3/4"	10/8	\$91.22

### 74761-22-33

-22 CTS x -33 PEP-7



Part No.	Size	Carton PCS/WT	Price
5120-437	3/4"	25/31	\$58.22
5141-436	1"	16/34	\$89.34
5183-248	1" x 3/4"	10/8	\$91.22

### 74761G-3G

G CTS x -3G PEP-7



Part No.	Size	Carton PCS/WT	Price
5192-275	3/4"	25/40	\$58.22

### 74761Q-44

Q CTS x -44 PVC



Part No.	Size	Carton PCS/WT	Price
5183-402	1"	16/37	\$88.29

### 74761-22-34

-22 CTS x -34 PEP-7



Part No.	Size	Carton PCS/WT	Price
	3/4"	25/31	\$58.22
	1"	20/42	\$89.32
	1" x 3/4"	10/8	\$91.22

### 74761G-44

G CTS x -44 PVC



Part No.	Size	Carton PCS/WT	Price
5119-156	3/4"	25/34	\$57.33

### 74761T-33

T CTS x -33 PEP-7



Part No.	Size	Carton PCS/WT	Price
5120-440	3/4"	25/32	\$58.22

### OPTIONS

See page 9 for pricing of the following:

- For Handyloc - Replace "Q" with "H" or "-3Q" with "-3H" in 3/4" & 1" **only**.
- For C903 tube - Replace "Q" with "K". On "Q" Series options only 3/4" & 1" **only**.
- For valve or fitting less flare nut add "L" to end of model number.
- CTS Anode (QA) & Flare Anode (A) - Replace "Q" with "QA" or add "A" to flare.
- Insert stiffeners are **required** on all flexible plastic connections. (See page 10 for stiffeners)



# Elbows - Quarter Bend - Ninety

## ONE END FEMALE COPPER FLARE

A.Y. McDonald Service Fittings are manufactured to meet or exceed the AWWA C800 (latest revision) standard. Our service fittings are rated to withstand the same pressures as the tubing they are designed to fit. They are designed and tested for cold potable water only. EPDM rubber gaskets are used in our Compression fittings.

### 74776

Fixed Female Flare x Flare



Part No.	Size	Carton PCS/WT	Price
5120-148	3/4"	35/32	\$43.97
5121-153	1"	20/31	\$69.92
5121-154	1 1/4"	10/34	\$167.08

### 74776G

Fixed Female Flare x G CTS



Part No.	Size	Carton PCS/WT	Price
5192-447	3/4"	35/33	\$48.65
5192-279	1"	20/30	\$73.82

### 74776T

Fixed Female Flare x T CTS



Part No.	Size	Carton PCS/WT	Price
5122-172	3/4"	35/30	\$48.65
5122-173	1"	20/28	\$73.82
5122-174	1 1/4"	16/44	\$154.41

### 74776-22

Fixed Female Flare x -22 CTS



Part No.	Size	Carton PCS/WT	Price
5140-105	3/4"	35/28	\$48.65
5141-126	1"	20/25	\$73.82
5141-145	1 1/4"	20/58	\$154.41

### 74776Q

Fixed Female Flare x Q CTS



Part No.	Size	Carton PCS/WT	Price
5182-139	3/4"	35/31	\$48.65
5182-132	1"	20/30	\$73.82

## Notes

4755GSKT copper gasket included with all 74776 connections

## OPTIONS

See page 9 for pricing of the following:

- For Handyloc - Replace "Q" with "H" or "-3Q" with "-3H" in 3/4" & 1" **only**.
- For C903 tube - Replace "Q" with "K". On "Q" Series options only 3/4" & 1" **only**.
- For valve or fitting less flare nut add "L" to end of model number.
- CTS Anode (QA) & Flare Anode (A) - Replace "Q" with "QA" or add "A" to flare.
- Insert stiffeners are **required** on all flexible plastic connections. (See page 10 for stiffeners)



## Elbows - Quarter Bend - Ninety

### ONE END FEMALE COPPER FLARE

A.Y. McDonald Service Fittings are manufactured to meet or exceed the AWWA C800 (latest revision) standard. Our service fittings are rated to withstand the same pressures as the tubing they are designed to fit. They are designed and tested for cold potable water only. EPDM rubber gaskets are used in our Compression fittings.

#### 74776S

Swivel Female Flare x Flare



Part No.	Size	Carton PCS/WT	Price
5120-117	3/4"	25/32	\$58.61
5121-115	1"	16/32	\$82.75
5122-093	1 1/4"	10/31	\$206.85
5122-181	1 1/2"	6/34	\$242.27
5122-182	2"	3/29	\$424.46

#### 74776SQ

Swivel Female Flare x Q CTS



Part No.	Size	Carton PCS/WT	Price
5182-126	3/4"	25/30	\$66.63
5182-127	1"	20/38	\$90.84
5122-091	1 1/4"	10/29	\$227.14
5120-092	1 1/4" x 1"	16/43	\$133.75
5182-129	1 1/2"	6/29	\$236.05
5182-130	2"	3/20	\$398.42

#### 74776S-3Q

Swivel Female Flare x -3Q PEP-7



Part No.	Size	Carton PCS/WT	Price
5120-095	1"	16/38	\$113.60

#### 74776S-22

Swivel Female Flare x -22 CTS



Part No.	Size	Carton PCS/WT	Price
5120-199	3/4"	25/29	\$66.63
5121-123	1"	20/37	\$90.84
5122-090	1 1/4"	10/21	\$227.14
5120-094	1 1/4" x 1"	16/43	\$133.75
5122-196	1 1/2"	6/30	\$236.05
5122-197	2"	3/21	\$398.42

#### 74776ST

Swivel Female Flare x T CTS



Part No.	Size	Carton PCS/WT	Price
5120-118	3/4"	25/31	\$66.63
5121-116	1"	20/39	\$90.84
5122-092	1 1/4"	10/21	\$227.14
5120-093	1 1/4" x 1"	16/36	\$133.75
5122-183	1 1/2"	6/28	\$236.05
5122-184	2"	3/18	\$398.42

#### 74776S-34

Swivel Female Flare x -34 PEP-9



Part No.	Size	Carton PCS/WT	Price
5123-221	1"	16/39	\$113.60
	2"	3/25	\$429.05

#### 74776SG

Swivel Female Flare x G CTS



Part No.	Size	Carton PCS/WT	Price
5192-204	3/4"	25/33	\$66.63
5192-253	1"	20/40	\$90.84
	1 1/4"	10/29	\$227.12
5125-198	1 1/4" x 1"	20/54	\$133.75
5192-299	1 1/2"	6/29	\$236.05
	2"	3/20	\$398.42

#### 74776S-33

Swivel Female Flare x -33 PEP-7



Part No.	Size	Carton PCS/WT	Price
5120-089	1"	16/39	\$113.60

#### 74776S-44

Swivel Female Flare x -44 PVC



Part No.	Size	Carton PCS/WT	Price
5120-090	1"	16/37	\$122.11
5130-016	1 1/2"	6/39	\$281.09
5130-017	2"	3/26	\$429.05

#### 74776S-3G

Swivel Female Flare x -3G PEP-7



Part No.	Size	Carton PCS/WT	Price
	1"	20/48	\$113.60

#### 74776S-55

Swivel Female Flare x -55 IP



Part No.	Size	Carton PCS/WT	Price
5120-096	1"	16/43	\$108.86
	1 1/2"	6/39	\$281.09
	2"	3/26	\$429.05

### Notes

4755GSKT copper gasket included with all 74776 connections

### OPTIONS

See page 9 for pricing of the following:

- For Handyloc - Replace "Q" with "H" or "-3Q" with "-3H" in 3/4" & 1" **only**.
- For C903 tube - Replace "Q" with "K". On "Q" Series options only 3/4" & 1" **only**.
- For valve or fitting less flare nut add "L" to end of model number.
- CTS Anode (QA) & Flare Anode (A) - Replace "Q" with "QA" or add "A" to flare.
- Insert stiffeners are **required** on all flexible plastic connections. (See page 10 for stiffeners)





## Tees

### SAME END CONNECTIONS ON ALL THREE SIDES

A.Y. McDonald Service Fittings are manufactured to meet or exceed the AWWA C800 (latest revision) standard. Our service fittings are rated to withstand the same pressures as the tubing they are designed to fit. They are designed and tested for cold potable water only. EPDM rubber gaskets are used in our Compression fittings.

#### 74760P

MNPT x MNPT x MNPT



Part No.	Size	Carton PCS/WT	Price
5120-064	3/4"	25/13	\$40.72
5131-458	3/4" x 1" x 9"	10/9	\$102.40
5120-065	1"	15/10	\$63.69
5122-130	1" x 2"	6/10	\$135.05
5120-067	1 1/2"	4/7	\$184.78
5120-068	2"	8/20	\$277.75

#### 74760

Flare x Flare x Flare



Part No.	Size	Carton PCS/WT	Price
5120-145	3/4"	20/34	\$70.04
5120-164	3/4" x 1"	16/36	\$83.76
5121-149	1"	12/36	\$117.51
5121-188	1" x 3/4"	12/35	\$94.21
5142-207	1" x 1 1/4"	10/37	\$152.22
5142-232	1 1/2"	4/31	\$306.95
5132-284	2"	4/50	\$575.95

#### 74760G

G CTS x G CTS x G CTS



Part No.	Size	Carton PCS/WT	Price
5192-027	3/4"	25/45	\$97.91
5192-155	3/4" x 1"	20/41	\$104.28
	3/4" x 1/4"		\$152.76
5125-084	3/4" x 1 1/2"	10/28	\$190.39
5192-040	1"	15/38	\$104.69
5192-050	1" x 3/4"	15/35	\$107.53
	1" x 1 1/4"	10/32	\$179.98
	1" x 1 1/2"	10/29	\$201.58
	1" x 2"	6/23	\$259.75
5192-230	1 1/4"	10/40	\$202.26
5192-171	1 1/2"	4/18	\$233.51
	1 1/2" x 3/4"	6/21	\$221.23
	1 1/2" x 2"		\$345.63
5192-172	2"	4/24	\$569.91
	2" x 3/4"	4/16	\$280.87
5192-455	2" x 1"	4/23	\$280.87
	2 1/2"		\$681.44

#### 74760F

FNPT x FNPT x FNPT



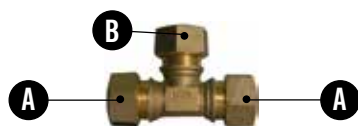
Part No.	Size	Carton PCS/WT	Price
5120-060	3/4"	25/19	\$40.72
5120-061	1"	15/19	\$58.02
5120-062	1 1/4"	10/24	\$126.93
5142-235	1 1/2"	4/19	\$166.30
5120-435	1 1/2" x 3/4"	4/10	\$125.69
5120-436	1 1/2" x 1"	4/9	\$132.01
5120-063	2"	4/11	\$252.54
5120-433	2" x 3/4"	4/9	\$183.21
5120-434	2" x 1"	4/9	\$189.54

#### 74760-22

-22 CTS x -22 CTS x -22 CTS



Part No.	Size	Carton PCS/WT	Price
5140-119	3/4"	25/35	\$97.91
5140-120	3/4" x 1"	20/33	\$104.28
5125-083	3/4" x 1 1/2"	10/26	\$190.39
	3/4" x 1 1/4"		\$152.76
5141-142	1"	15/27	\$104.69
5140-123	1" x 3/4"	15/28	\$107.53
5142-208	1" x 1 1/4"	10/27	\$180.00
5142-210	1" x 1 1/2"	10/30	\$201.58
5183-263	1" x 2"	6/25	\$259.76
5142-002	1 1/4"	10/35	\$202.26
5121-124	1 1/2"	4/18	\$233.51
5119-179	1 1/2" x 3/4"	6/24	\$221.24
5125-223	1 1/2" x 2"	3/15	\$345.63
5121-125	2"	4/25	\$569.91
5119-176	2" x 3/4"	4/16	\$280.87
5183-451	2" x 1"	4/19	\$280.88
5119-159	2 1/2"	4/38	\$681.44



KEY TO SIZES	
A	B
3/4"	1"

#### OPTIONS

See page 9 for pricing of the following:

- For Handyloc - Replace "Q" with "H" or "-3Q" with "-3H" in 3/4" & 1" **only**.
- For C903 tube - Replace "Q" with "K". On "Q" Series options only 3/4" & 1" **only**.
- For valve or fitting less flare nut add "L" to end of model number.
- CTS Anode (QA) & Flare Anode (A) - Replace "Q" with "QA" or add "A" to flare.
- Insert stiffeners are **required** on all flexible plastic connections. (See page 10 for stiffeners)



## Tees

### SAME END CONNECTIONS ON ALL THREE SIDES

A.Y. McDonald Service Fittings are manufactured to meet or exceed the AWWA C800 (latest revision) standard. Our service fittings are rated to withstand the same pressures as the tubing they are designed to fit. They are designed and tested for cold potable water only. EPDM rubber gaskets are used in our Compression fittings.

#### 74760Q

Q CTS x Q CTS x Q CTS



Part No.	Size	Carton PCS/WT	Price
5182-006	3/4"	25/39	\$97.91
5182-046	3/4" x 1"	20/38	\$104.28
5125-085	3/4" x 1 1/4"	10/25	\$152.76
5125-082	3/4" x 1 1/2"	10/26	\$190.39
5182-066	1"	15/34	\$104.69
5182-125	1" x 3/4"	15/31	\$107.53
5182-118	1" x 1 1/4"	10/32	\$180.00
5182-100	1" x 1 1/2"	10/29	\$201.58
5183-261	1" x 2"	6/23	\$259.76
5182-148	1 1/4"	10/36	\$202.26
5182-106	1 1/2"	4/16	\$233.51
5183-304	1 1/2" x 3/4"	6/21	\$221.24
	2 1/2"		\$681.44
	1 1/2" x 2"		\$333.61
5182-094	2"	4/20	\$569.91
5183-404	2" x 3/4"	4/16	\$280.88
5183-452	2" x 1"	4/16	\$280.88

#### 74760-33

-33 PEP-7 x -33 PEP-7 x -33 PEP-7



Part No.	Size	Carton PCS/WT	Price
5142-128	3/4"	15/30	\$139.47
5142-129	1"	10/35	\$241.61
5142-233	1 1/2"	4/30	\$363.16
5132-286	2"	4/38	\$681.44

#### 74760-34

-34 PEP-9 x -34 PEP-9 x -34 PEP-9



Part No.	Size	Carton PCS/WT	Price
5123-184	3/4"	15/30	\$139.47
5123-213	1"	10/35	\$241.61
5125-131	1 1/2"	4/25	\$363.16
	2"	4/38	\$681.43

#### 74760-3G

-3G PEP-7 x -3G PEP-7 x -3G PEP-7



Part No.	Size	Carton PCS/WT	Price
5192-268	3/4"	15/40	\$139.47
	1"	10/35	\$241.60

#### 74760-44

-44 PVC x -44 PVC x -44 PVC



Part No.	Size	Carton PCS/WT	Price
5142-176	3/4"	15/32	\$139.47
5142-177	1"	10/36	\$241.61
5142-234	1 1/2"	4/25	\$363.16
5132-285	2"	4/37	\$681.43

#### 74760T

T CTS x T CTS x T CTS



Part No.	Size	Carton PCS/WT	Price
5131-118	3/4"	25/36	\$97.91
5131-121	3/4" x 1"	20/37	\$104.28
	3/4" x 1 1/2"	10/26	\$190.39
	3/4" x 1 1/4"		\$152.76
5131-119	1"	15/32	\$104.69
5132-148	1" x 3/4"	15/30	\$107.53
5142-209	1" x 1 1/4"	10/30	\$180.00
5142-211	1" x 1 1/2"	10/30	\$201.58
5183-262	1" x 2"	6/22	\$259.76
5142-014	1 1/4"	10/33	\$202.26
5121-034	1 1/2"	4/13	\$233.51
	1 1/2" x 2"		\$333.61
	1 1/2" x 3/4"		\$221.24
5121-035	2"	4/20	\$569.91
	2" x 3/4"	4/16	\$280.87
	2" x 1"	4/23	\$280.87
	2 1/2"	4/38	\$681.43

#### 74760-3Q

-3Q PEP-7 x -3Q PEP-7 x -3Q PEP-7



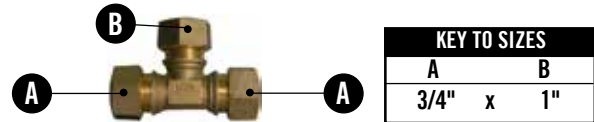
Part No.	Size	Carton PCS/WT	Price
5182-250	3/4"	15/35	\$139.47
5182-238	1"	10/35	\$241.61

#### 74760-55

-55 IP x -55 IP x -55 IP



Part No.	Size	Carton PCS/WT	Price
5146-142	3/4"	15/25	\$146.61
5146-143	1"	10/37	\$241.61
5142-434	1 1/2"	4/25	\$363.16
	2"	4/37	\$681.43



### OPTIONS

See page 9 for pricing of the following:

- For Handyloc - Replace "Q" with "H" or "-3Q" with "-3H" in 3/4" & 1" **only**.
- For C903 tube - Replace "Q" with "K". On "Q" Series options only 3/4" & 1" **only**.
- For valve or fitting less flare nut add "L" to end of model number.
- CTS Anode (QA) & Flare Anode (A) - Replace "Q" with "QA" or add "A" to flare.
- Insert stiffeners are **required** on all flexible plastic connections. (See page 10 for stiffeners)



# Tees

## CROSS SIZE END CONNECTIONS

A.Y. McDonald Service Fittings are manufactured to meet or exceed the AWWA C800 (latest revision) standard. Our service fittings are rated to withstand the same pressures as the tubing they are designed to fit. They are designed and tested for cold potable water only. EPDM rubber gaskets are used in our Compression fittings.

### 74760-22-33

-22 CTS x -22 CTS x -33 PEP-7



Part No.	Size	Carton PCS/WT	Price
5140-067	3/4"	20/34	\$104.28
5142-204	1"	10/28	\$163.65
5183-453	2" x 3/4"	6/35	\$400.30

### 74760G-3G

G CTS x G CTS x -3G PEP-7



Part No.	Size	Carton PCS/WT	Price
5192-254	3/4"	20/37	\$104.28
	2" x 3/4"	6/28	\$400.28

### 74760-33-44

-33 PEP-7 x -33 PEP-7 x -44 PVC



Part No.	Size	Carton PCS/WT	Price
	3/4"	15/28	\$144.24

### 74760-22-44

-22 CTS x -22 CTS x -44 PVC



Part No.	Size	Carton PCS/WT	Price
5141-448	3/4"	20/33	\$100.22
5142-205	1"	10/27	\$163.65
5119-171	2" x 3/4"	6/35	\$400.28

### 74760Q-3Q

Q CTS x Q CTS x -3Q PEP-7



Part No.	Size	Carton PCS/WT	Price
5183-118	3/4"	20/37	\$104.28
5183-454	2" x 3/4"	6/24	\$400.30

### 74760-33-55

-33 PEP-7 x -33 PEP-7 x -55 IP



Part No.	Size	Carton PCS/WT	Price
	3/4"	15/28	\$144.24

### 74760-22-55

-22 CTS x -22 CTS x -55 IP



Part No.	Size	Carton PCS/WT	Price
	3/4"	20/34	\$104.27
5142-206	1"	10/28	\$177.64
	2" x 3/4"	6/35	\$400.28

### 74760-33-22

-33 PEP-7 x -33 PEP-7 x -22 CTS



Part No.	Size	Carton PCS/WT	Price
5141-457	3/4"	15/28	\$107.53

### 74760-55-44

-55 IP x -55 IP x -44 PVC



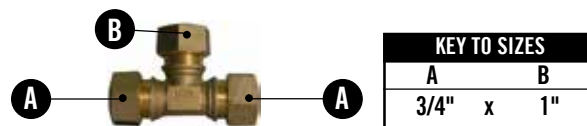
Part No.	Size	Carton PCS/WT	Price
	3/4"	15/28	\$144.24

### 74760-55-33

-55 IP x -55 IP x -33 PEP-7



Part No.	Size	Carton PCS/WT	Price
5142-417	3/4"	15/28	\$144.24



## OPTIONS

See page 9 for pricing of the following:

- For Handyloc - Replace "Q" with "H" or "-3Q" with "-3H" in 3/4" & 1" **only**.
- For C903 tube - Replace "Q" with "K". On "Q" Series options only 3/4" & 1" **only**.
- For valve or fitting less flare nut add "L" to end of model number.
- CTS Anode (QA) & Flare Anode (A) - Replace "Q" with "QA" or add "A" to flare.
- Insert stiffeners are **required** on all flexible plastic connections. (See page 10 for stiffeners)



## Tees

### MALE NATIONAL PIPE THREAD OUTLET

A.Y. McDonald Service Fittings are manufactured to meet or exceed the AWWA C800 (latest revision) standard. Our service fittings are rated to withstand the same pressures as the tubing they are designed to fit. They are designed and tested for cold potable water only. EPDM rubber gaskets are used in our Compression fittings.

#### 74762

Flare x Flare x MNPT



Part No.	Size	Carton PCS/WT	Price
5120-173	3/4"	25/34	\$63.90
5120-174	3/4" x 1"	20/31	\$69.78
5121-175	1"	16/37	\$103.16

#### 74762T

T CTS x T CTS x MNPT



Part No.	Size	Carton PCS/WT	Price
5120-005	3/4"	25/29	\$71.12
5120-007	3/4" x 1"	20/25	\$104.54
5120-009	1"	20/33	\$98.10
5120-449	1 1/4" x 1 1/2"	10/29	\$143.62
	1 1/2"	8/25	\$333.89
	2"	6/22	\$464.11

#### 74762-11

RANGER x RANGER x MNPT



Part No.	Size	Carton PCS/WT	Price
5196-017	3/4"	10/27	\$120.14
5196-019	1"	10/38	\$177.90

#### 74762-22

-22 CTS x -22 CTS x MNPT



Part No.	Size	Carton PCS/WT	Price
5120-006	3/4"	25/27	\$71.12
5120-008	3/4" x 1"	20/26	\$104.54
5125-089	3/4" x 1 1/2"	10/18	\$155.08
5125-092	3/4" x 1 1/4"	10/15	\$138.99
5120-010	1"	20/30	\$98.10
5120-450	1 1/4" x 1 1/2"	10/29	\$143.62
	1 1/2"	8/25	\$333.89
	2"	6/22	\$464.11

#### 74762G

G CTS x G CTS x MNPT



Part No.	Size	Carton PCS/WT	Price
5192-365	3/4"	25/33	\$71.12
5192-491	3/4" x 1"	20/26	\$104.54
5125-090	3/4" x 1 1/2"	10/20	\$155.08
5125-093	3/4" x 1 1/4"	10/18	\$138.99
5192-357	1"	20/38	\$98.10
5192-296	1 1/4" x 1 1/2"	10/32	\$143.62
	1 1/2"	8/25	\$333.89
	2"	6/22	\$464.11

#### 74762Q

Q CTS x Q CTS x MNPT



Part No.	Size	Carton PCS/WT	Price
5182-007	3/4"	25/29	\$71.12
5182-078	3/4" x 1"	20/27	\$104.54
5125-091	3/4" x 1 1/4"	10/16	\$138.99
5125-088	3/4" x 1 1/2"	10/19	\$155.08
5120-043	1"	20/35	\$98.10
5183-134	1 1/4" x 1 1/2"	10/32	\$143.62
5183-352	1 1/2"	8/25	\$333.89
5183-350	2"	6/22	\$464.11

#### 74762-33

-33 PEP-7 x -33 PEP-7 x MNPT



Part No.	Size	Carton PCS/WT	Price
	3/4" x 2"	6/18	\$185.54
5120-451	1" x 1 1/2"	10/29	\$233.31

#### 74762-3G

-3G PEP-7 x -3G PEP-7 x MNPT



Part No.	Size	Carton PCS/WT	Price
	3/4" x 2"	6/18	\$185.54
5192-297	1" x 1 1/2"	10/32	\$233.31

#### 74762-3Q

-3Q PEP-7 x -3Q PEP-7 x MNPT



Part No.	Size	Carton PCS/WT	Price
5183-264	3/4" x 2"	6/18	\$185.54
5183-135	1" x 1 1/2"	10/32	\$233.31

#### 74762-44

-44 PVC x -44 PVC x MNPT



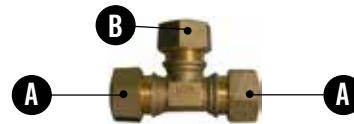
Part No.	Size	Carton PCS/WT	Price
5120-452	1" x 1 1/2"	10/32	\$233.31

#### 74762-55

-55 IP x -55 IP x MNPT



Part No.	Size	Carton PCS/WT	Price
5120-453	1" x 1 1/2"	10/32	\$233.31



KEY TO SIZES	
A	B
3/4"	1"

### OPTIONS

See page 9 for pricing of the following:

- For Handyloc - Replace "Q" with "H" or "-3Q" with "-3H" in 3/4" & 1" **only**.
- For C903 tube - Replace "Q" with "K". On "Q" Series options only 3/4" & 1" **only**.
- For valve or fitting less flare nut add "L" to end of model number.
- CTS Anode (QA) & Flare Anode (A) - Replace "Q" with "QA" or add "A" to flare.
- Insert stiffeners are **required** on all flexible plastic connections. (See page 10 for stiffeners)



## Tees

### MALE NATIONAL PIPE THREAD RUN

A.Y. McDonald Service Fittings are manufactured to meet or exceed the AWWA C800 (latest revision) standard. Our service fittings are rated to withstand the same pressures as the tubing they are designed to fit. They are designed and tested for cold potable water only. EPDM rubber gaskets are used in our Compression fittings.

#### 74763F

MNPT x MNPT x FNPT



Part No.	Size	Carton PCS/WT	Price
5131-459	3/4" x 1" x 9"	10/9	\$87.37

#### 74763-22

MNPT x MNPT x -22 CTS



Part No.	Size	Carton PCS/WT	Price
5142-465	3/4" x 1"	20/22	\$80.88
5131-461	3/4" x 1" x 9"	10/23	\$109.22
5182-464	1"	20/22	\$95.73
5141-224	1" x 1 1/4"	10/18	\$148.27
5141-225	1" x 1 1/2"	10/20	\$156.98
	1" x 2"	6/16	\$232.43

#### 74763Q

MNPT x MNPT x Q CTS



Part No.	Size	Carton PCS/WT	Price
5182-188	3/4" x 1"	20/25	\$80.88
5182-439	3/4" x 1" x 9"	10/24	\$109.22
5182-187	1"	20/27	\$95.73
5182-119	1" x 1 1/4"	10/26	\$148.27
5182-101	1" x 1 1/2"	10/18	\$156.98
5183-265	1" x 2"	6/16	\$232.44

#### 74763

MNPT x MNPT x Flare



Part No.	Size	Carton PCS/WT	Price
5120-175	3/4"	25/23	\$53.09
5120-176	3/4" x 1"	20/29	\$70.04
5131-457	3/4" x 1" x 9"	10/19	\$103.45
5121-176	1"	20/31	\$87.72
5142-212	1" x 1 1/4"	10/22	\$136.61

#### 74763G

MNPT x MNPT x G CTS



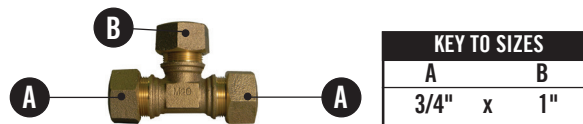
Part No.	Size	Carton PCS/WT	Price
	3/4" x 1"	20/22	\$80.88
	3/4" x 1" x 9"	10/23	\$109.21
	1"	20/22	\$95.73
	1" x 1 1/4"	10/18	\$148.27
	1" x 1 1/2"	10/20	\$156.98
	1" x 2"	6/16	\$232.43

#### 74763T

MNPT x MNPT x T CTS



Part No.	Size	Carton PCS/WT	Price
	3/4" x 1"	20/25	\$80.88
5131-460	3/4" x 1" x 9"	10/24	\$109.22
	1"	20/27	\$95.73
5141-223	1" x 1 1/4"	10/26	\$148.27
5141-226	1" x 1 1/2"	10/25	\$156.98
	1" x 2"	6/16	\$232.43



### OPTIONS

See page 9 for pricing of the following:

- For Handyloc - Replace "Q" with "H" or "-3Q" with "-3H" in 3/4" & 1" **only**.
- For C903 tube - Replace "Q" with "K". On "Q" Series options only 3/4" & 1" **only**.
- For valve or fitting less flare nut add "L" to end of model number.
- CTS Anode (QA) & Flare Anode (A) - Replace "Q" with "QA" or add "A" to flare.
- Insert stiffeners are **required** on all flexible plastic connections. (See page 10 for stiffeners)



## Tees

### FEMALE OUTLET

A.Y. McDonald Service Fittings are manufactured to meet or exceed the AWWA C800 (latest revision) standard. Our service fittings are rated to withstand the same pressures as the tubing they are designed to fit. They are designed and tested for cold potable water only. EPDM rubber gaskets are used in our Compression fittings.

#### 74764

Flare x Flare x FNPT



Part No.	Size	Carton PCS/WT	Price
5120-468	1" x 1 1/4"	10/25	\$117.66
5120-469	1" x 1 1/2"	10/27	\$139.24

#### 74764-11

RANGER x RANGER x FNPT



Part No.	Size	Carton PCS/WT	Price
5196-018	3/4"	10/29	\$122.18
5196-020	1"	10/39	\$196.21

#### 74764-22

-22 CTS x -22 CTS x FNPT



Part No.	Size	Carton PCS/WT	Price
5120-382	3/4"	25/29	\$80.74
5120-383	3/4" x 1"	20/29	\$82.64
5125-098	3/4" x 1 1/4"		\$138.99
5125-095	3/4" x 1 1/2"		\$155.08
5120-384	1"	20/32	\$100.13
	1" x 1 1/4"	10/25	\$164.68
	1" x 1 1/2"	10/25	\$219.14
5120-445	1 1/4"	10/31	\$171.07
5123-008	1 1/4" x 3/4"	10/35	\$170.82
5122-101	1 1/4" x 1"	10/33	\$170.95
5120-396	1 1/2" x 3/4"	8/27	\$188.01
5120-397	1 1/2" x 1"	6/23	\$188.01
5117-183	1 1/2"	6/24	\$188.01
5119-173	2"	6/28	\$464.11
5119-139	2" x 3/4"	6/28	\$262.18
5119-138	2" x 1"	6/26	\$262.18

#### 74764G

G CTS x G CTS x FNPT



Part No.	Size	Carton PCS/WT	Price
5120-403	3/4"	25/37	\$80.74
5120-404	3/4" x 1"	20/35	\$82.64
5125-099	3/4" x 1 1/4"		\$138.99
5125-096	3/4" x 1 1/2"		\$155.08
5120-402	1"	20/41	\$100.13
	1" x 1 1/4"	10/25	\$164.68
	1" x 1 1/2"	10/25	\$219.14
5192-289	1 1/4"	10/35	\$171.07
5192-481	1 1/4" x 3/4"	10/35	\$170.82
	1 1/4" x 1"	10/33	\$170.95
5120-492	1 1/2" x 3/4"	8/27	\$188.01
5192-224	1 1/2" x 1"	6/24	\$188.01
	1 1/2"	6/23	\$188.01
	2"	6/28	\$464.11
5192-304	2" x 3/4"	6/27	\$262.18
5192-051	2" x 1"	6/26	\$262.18

#### 74764-22-CC

-22 CTS x -22 CTS x AWWA Female Thread



Part No.	Size	Carton PCS/WT	Price
5141-447	2" x 3/4"	6/27	\$262.18
5183-456	2" x 1"	4/19	\$262.48

#### 74764-33

-33 PEP-7 x -33 PEP-7 x FNPT



Part No.	Size	Carton PCS/WT	Price
	3/4" x 1 1/4"	10/25	\$164.68
	3/4" x 1 1/2"	10/26	\$219.14
5119-158	1" x 3/4"	10/34	\$170.82
5141-475	1"	10/35	\$170.95

#### 74764T

T CTS x T CTS x FNPT



Part No.	Size	Carton PCS/WT	Price
5120-385	3/4"	25/31	\$80.74
5120-386	3/4" x 1"	20/29	\$82.64
5120-387	1"	20/38	\$100.13
	1" x 1 1/4"	10/25	\$164.68
	1" x 1 1/2"	10/25	\$219.14
5120-446	1 1/4"	10/30	\$171.07
	1 1/4" x 3/4"	10/36	\$170.82
5119-170	1 1/4" x 1"	10/34	\$170.95
5120-398	1 1/2" x 3/4"	8/27	\$188.01
5120-399	1 1/2" x 1"	6/20	\$188.01
	1 1/2"	6/18	\$188.01
	2"	6/28	\$464.11
5119-140	2" x 3/4"	6/21	\$262.18
5119-141	2" x 1"	6/21	\$262.18

#### 74764Q

Q CTS x Q CTS x FNPT



Part No.	Size	Carton PCS/WT	Price
5120-388	3/4"	25/30	\$80.74
5120-389	3/4" x 1"	20/28	\$82.64
5120-390	1"	20/37	\$100.13
5183-466	1" x 3/4"	16/33	\$100.13
5120-470	1" x 1 1/4"	10/25	\$164.68
5120-471	1" x 1 1/2"	10/25	\$219.14
5120-447	1 1/4"	10/31	\$171.07
5120-464	1 1/4" x 3/4"	10/36	\$170.82
5120-465	1 1/4" x 1"	10/34	\$170.95
5183-351	1 1/2"	8/27	\$188.01
5120-394	1 1/2" x 3/4"	6/20	\$188.01
5120-395	1 1/2" x 1"	6/20	\$188.01
5183-349	2"	6/28	\$464.11
5182-221	2" x 3/4"	6/22	\$262.18
5182-186	2" x 1"	6/21	\$262.18

#### 74764-3G

-3G PEP-7 x -3G PEP-7 x FNPT



Part No.	Size	Carton PCS/WT	Price
	3/4" x 1 1/4"	10/25	\$164.68
	3/4" x 1 1/2"	10/26	\$219.14
5192-427	1" x 3/4"	10/38	\$170.82
5192-434	1"	10/37	\$170.95

#### 74764Q-CC

Q CTS x Q CTS x AWWA Female Thread



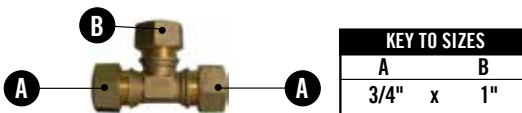
Part No.	Size	Carton PCS/WT	Price
	1 1/2" x 3/4"	6/21	\$188.01
5183-169	2" x 3/4"	6/21	\$262.18
5183-455	2" x 1"	4/15	\$262.48

#### 74764-3Q

-3Q PEP-7 x -3Q PEP-7 x FNPT



Part No.	Size	Carton PCS/WT	Price
5120-472	3/4" x 1 1/4"	10/25	\$164.70
5120-473	3/4" x 1 1/2"	10/26	\$219.15
5120-466	1" x 3/4"	10/40	\$170.82
5120-467	1"	10/35	\$170.95



### OPTIONS

See page 9 for pricing of the following:

- For Handyloc - Replace "Q" with "H" or "-3Q" with "-3H" in 3/4" & 1" **only**.
- For C903 tube - Replace "Q" with "K". On "Q" Series options only 3/4" & 1" **only**.
- For valve or fitting less flare nut add "L" to end of model number.
- CTS Anode (QA) & Flare Anode (A) - Replace "Q" with "QA" or add "A" to flare.
- Insert stiffeners are **required** on all flexible plastic connections. (See page 10 for stiffeners)

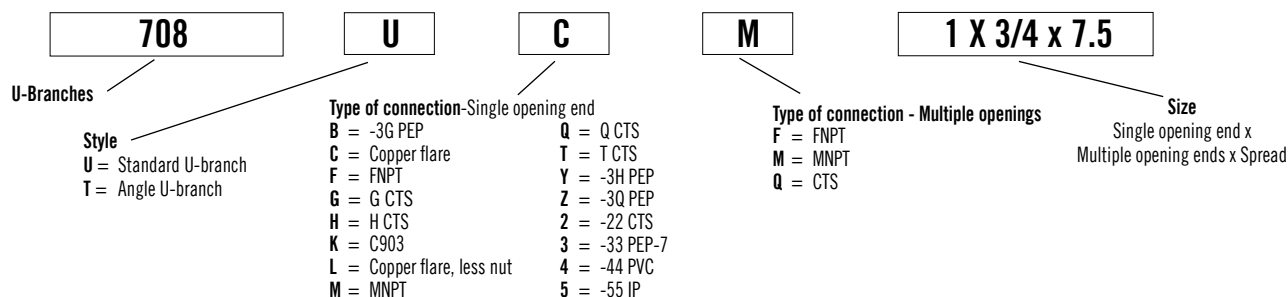


# U-Branches

A.Y. McDonald Service Fittings are manufactured to meet or exceed the AWWA C800 (latest revision) standard. Our service fittings are rated to withstand the same pressures as the tubing they are designed to fit. They are designed and tested for cold potable water only. EPDM rubber gaskets are used in our Compression fittings.

U-branches available with valve assembled - contact factory. (See meter valve section, page 229)

To order U-Branch: Model No. 708UCM 1 x 3/4 x 7.5 means:



## 708UMM

MNPT x MNPT



Part No.	Size	Carton PCS/WT	Price
5127-168	1" x 3/4" x 7.5	15/23	\$83.06
5127-026	1" x 3/4" x 14	10/27	\$160.63
5127-072	1" x 1" x 7.5	15/27	\$124.44
5127-189	1" x 1" x 18	10/33	\$545.29
5127-359	1 1/2" x 1" x 9	5/11	\$170.04
5127-074	1 1/2" x 1" x 12	6/18	\$228.69
5127-361	2" x 1" x 9	6/14	\$164.54

## 708UFQ

FNPT x Q CTS



Part No.	Size	Carton PCS/WT	Price
5127-409	1" x 3/4" x 6.5	12/43	\$118.18

## 708UGM

G CTS x MNPT



Part No.	Size	Carton PCS/WT	Price
5192-071	1" x 3/4" x 6.5	15/37	\$91.30
5192-070	1" x 3/4" x 7.5	15/32	\$99.83
	1" x 3/4" x 14	10/33	\$200.23
5192-069	1" x 1" x 7.5	15/35	\$105.06
	1" x 1" x 18	10/40	\$591.26
5192-059	1 1/2" x 3/4" x 7.5	10/26	\$180.06
5192-420	1 1/2" x 1" x 9	6/19	\$225.38
5127-481	1" x 3/4" 36"	10/40	\$514.87

## 708UFF

FNPT x FNPT



Part No.	Size	Carton PCS/WT	Price
5127-407	1" x 3/4" x 6.5	12/37	\$81.75
5127-365	1" x 3/4" x 7.5	15/32	\$83.06
5127-193	1" x 1" x 18	10/41	\$545.29

## 708UCM

Flare x MNPT



Part No.	Size	Carton PCS/WT	Price
5127-405	3/4" x 3/4" x 6.5 x 100	15/41	\$80.08
5127-157	1" x 3/4" x 6.5	15/37	\$88.16
5127-152	1" x 3/4" x 7.5	15/33	\$96.64
5127-023	1" x 3/4" x 14	10/36	\$167.99
5127-073	1" x 1" x 7.5	15/38	\$144.79
5127-188	1" x 1" x 18	10/40	\$589.47

## 708UQQ

Q CTS x Q CTS



Part No.	Size	Carton PCS/WT	Price
5127-410	1" x 3/4" x 6.5	12/35	\$135.93

## 708UFM

FNPT x MNPT



Part No.	Size	Carton PCS/WT	Price
5127-156	1" x 3/4" x 6.5	15/32	\$78.57
5127-153	1" x 3/4" x 7.5	15/25	\$87.00
5127-027	1" x 3/4" x 14	10/30	\$156.88
5127-071	1" x 1" x 7.5	15/28	\$132.20
5127-178	1" x 1" x 14	6/18	\$162.11
5127-187	1" x 1" x 18	10/35	\$545.29
5127-357	1 1/2" x 3/4" x 7.5	10/19	\$171.79
5127-360	1 1/2" x 1" x 9	6/16	\$171.99

## 708U2M

-22 CTS x MNPT



Part No.	Size	Carton PCS/WT	Price
5141-128	1" x 3/4" x 6.5	15/34	\$91.30
5141-127	1" x 3/4" x 7.5	15/30	\$99.83
5127-024	1" x 3/4" x 14	10/33	\$200.24
5127-068	1" x 1" x 7.5	15/35	\$105.06
5127-190	1" x 1" x 18	10/40	\$591.27
5127-166	1 1/2" x 3/4" x 7.5	10/25	\$180.06
5127-076	1 1/2" x 1" x 9	6/19	\$225.38

## 708UQM

Q CTS x MNPT



Part No.	Size	Carton PCS/WT	Price
5182-442	1" x 3/4" x 6.5	15/37	\$91.30
5182-048	1" x 3/4" x 7.5	15/31	\$99.83
5182-141	1" x 3/4" x 14	10/35	\$200.24
5127-070	1" x 1" x 7.5	15/34	\$105.06
5127-191	1" x 1" x 18	10/38	\$591.27
5182-291	1 1/2" x 3/4" x 7.5	10/24	\$180.06
5182-455	1 1/2" x 1" x 9	6/18	\$225.38

### OPTIONS

See page 9 for pricing of the following:

- For Handyloc - Replace "Q" with "H" or "-3Q" with "-3H" in 3/4" & 1" only.
- For C903 tube - Replace "Q" with "K". On "Q" Series options only 3/4" & 1" only.
- For valve or fitting less flare nut add "L" to end of model number.
- CTS Anode (QA) & Flare Anode (A) - Replace "Q" with "QA" or add "A" to flare.
- Insert stiffeners are **required** on all flexible plastic connections. (See page 10 for stiffeners)

## 708UQF

Q CTS x FNPT



Part No.	Size	Carton PCS/WT	Price
5127-408	1" x 3/4" x 6.5	12/42	\$99.50



## U-Branches

A.Y. McDonald Service Fittings are manufactured to meet or exceed the AWWA C800 (latest revision) standard. Our service fittings are rated to withstand the same pressures as the tubing they are designed to fit. They are designed and tested for cold potable water only. EPDM rubber gaskets are used in our Compression fittings.

### 708UTM

T CTS x MNPT



Part No.	Size	Carton PCS/WT	Price
5127-155	1" x 3/4" x 6.5	15/36	\$91.30
5127-154	1" x 3/4" x 7.5	15/33	\$99.83
5127-025	1" x 3/4" x 14	10/34	\$200.24
5127-069	1" x 1" x 7.5	15/35	\$105.06
5127-192	1" x 1" x 18	10/42	\$591.27
5127-176	1 1/2" x 3/4" x 7.5	10/22	\$180.06
5127-358	1 1/2" x 1" x 9	6/17	\$225.38

### 708UBM

-3G PEP-7 x MNPT



Part No.	Size	Carton PCS/WT	Price
5127-375	1" x 3/4" x 7.5	10/25	\$113.99

### 708U4M

-44 PVC x MNPT



Part No.	Size	Carton PCS/WT	Price
5127-167	1" x 3/4" x 7.5	10/23	\$113.99
5127-362	1 1/4" x 1" x 9	6/20	\$236.85
5127-087	1 1/2" x 3/4" x 7.5	10/29	\$207.51

### 708UZM

-3Q PEP-7 x MNPT



Part No.	Size	Carton PCS/WT	Price
5182-292	1" x 3/4" x 7.5	10/24	\$113.99

### 708U5M

-55 IP x MNPT



Part No.	Size	Carton PCS/WT	Price
5127-088	1 1/2" x 3/4" x 7.5	10/27	\$239.74

### 708U3M

-33 PEP-7 x MNPT



Part No.	Size	Carton PCS/WT	Price
5127-039	1" x 3/4" x 7.5	10/22	\$113.99

## Angle Inlet U-Branches

### 708TMM

MNPT x MNPT

Part No.	Size	Carton PCS/WT	Price
5127-334	1 1/2" x 1" x 12	6/18	\$228.69

### 708TFQ

FNPT x Q CTS

Part No.	Size	Carton PCS/WT	Price
5127-413	1" x 3/4" x 6.5	12/30	\$112.97

### 708T2M

-22 CTS x MNPT

Part No.	Size	Carton PCS/WT	Price
5127-013	1" x 3/4" x 6.5	15/33	\$105.56

### 708TFF

FNPT x FNPT



Part No.	Size	Carton PCS/WT	Price
5127-411	1" x 3/4" x 6.5	12/37	\$98.78

### 708TCM

Flare x MNPT

Part No.	Size	Carton PCS/WT	Price
5127-014	1" x 3/4" x 6.5	15/37	\$95.97

### 708TQQ

Q CTS x Q CTS

Part No.	Size	Carton PCS/WT	Price
5127-414	1" x 3/4" x 6.5	12/38	\$121.48

### 708TFM

FNPT x MNPT



Part No.	Size	Carton PCS/WT	Price
5127-015	1" x 3/4" x 6.5	15/30	\$87.72

### 708TCF

Flare x FNPT

Part No.	Size	Carton PCS/WT	Price
5127-431	1" x 3/4" x 6.5	15/38	\$105.78

### 708TQF

Q CTS x FNPT

Part No.	Size	Carton PCS/WT	Price
5127-412	1" x 3/4" x 6.5	12/42	\$107.30

### OPTIONS

See page 9 for pricing of the following:

- For Handyloc - Replace "Q" with "H" or "-3Q" with "-3H" in 3/4" & 1" **only**.
- For C903 tube - Replace "Q" with "K". On "Q" Series options only 3/4" & 1" **only**.
- For valve or fitting less flare nut add "L" to end of model number.
- CTS Anode (QA) & Flare Anode (A) - Replace "Q" with "QA" or add "A" to flare.
- Insert stiffeners are **required** on all flexible plastic connections. (See page 10 for stiffeners)

### 708TTM

T CTS x MNPT

Part No.	Size	Carton PCS/WT	Price
5127-012	1" x 3/4" x 6.5	15/34	\$105.56



# Y-Branches

A.Y. McDonald Service Fittings are manufactured to meet or exceed the AWWA C800 (latest revision) standard. Our service fittings are rated to withstand the same pressures as the tubing they are designed to fit. They are designed and tested for cold potable water only. EPDM rubber gaskets are used in our Compression fittings.

To order Y-Branch Assemblies: Model No. 708Y2CC 1" x 3/4" means:

**708Y**

Y-Branch Assembly

Number of branches

- 2 = Two branches
- 3 = Three branches
- 4 = Four branches
- S = Service fittings (short pattern 2 branch)

Type of connection - Single opening end

- B = -3G PEP
- C = Copper flare
- F = FNPT
- G = G CTS
- H = H CTS
- K = C903
- L = Copper flare, less nut
- M = MNPT

Q = Q CTS

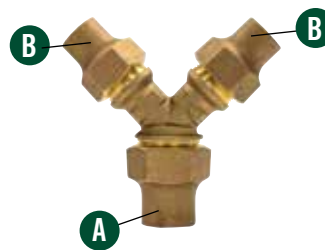
- T = T CTS
- Z = -3Q PEP
- 2 = -22 CTS
- 3 = -33 PEP-7
- 4 = -44 PVC
- 5 = -55 IP
- Y = -3H PEP

**C**

Type of connection - Multiple opening ends (Same codes as single opening end)

**A B**  
**1" X 3/4"**

Size  
Single opening end x Multiple opening ends



## 708YSMM

MNPT x MNPT



Part No.	Size	Carton PCS/WT	Price
5127-423	1" x 1"	20/14	\$77.68

## 708YSMQ

MNPT x Q CTS



Part No.	Size	Carton PCS/WT	Price
5182-313	1" x 3/4"	20/26	\$78.59
5127-417	1" x 1"	20/33	\$119.68
5127-485	1 1/4" x 1"	10/19	\$122.88
5125-162	2" x 1"	8/27	\$182.56

## 708YSCC

Flare x Flare



Size	Carton PCS/WT	Price
5127-081 1" x 3/4"	20/42	\$80.58
5127-427 1" x 1"	10/25	\$143.36

## 708YSMC

MNPT x Flare



Part No.	Size	Carton PCS/WT	Price
5127-054	1" x 3/4"	20/28	\$72.12
5127-428	1" x 1"	15/29	\$125.87
5125-155	2" x 1"	8/27	\$207.50

## 708YSMT

MNPT x T CTS



Part No.	Size	Carton PCS/WT	Price
5127-056	1" x 3/4"	20/25	\$78.59
	1" x 1"	20/34	\$119.68
5127-487	1 1/4" x 1"	10/18	\$122.88
5125-165	2" x 1"	8/27	\$182.56

## 708YSCM

Flare x MNPT



Part No.	Size	Carton PCS/WT	Price
5127-426	1" x 1"	20/28	\$107.02

## 708YSM2

MNPT x -22 CTS



Part No.	Size	Carton PCS/WT	Price
5127-053	1" x 3/4"	20/23	\$78.59
5127-418	1" x 1"	20/34	\$119.68
5127-486	1 1/4" x 1"	10/18	\$122.88
5125-164	2" x 1"	8/27	\$182.56

## 708YSM3

MNPT x -33 PEP-7



Part No.	Size	Carton PCS/WT	Price
5127-422	1" x 3/4"	15/27	\$120.13
5125-171	2" x 3/4"	8/27	\$211.62

## 708YS22

-22 CTS x -22 CTS



Size	Carton PCS/WT	Price	
5127-447 3/4" x 3/4"	20/30	\$90.13	
5140-121 1" x 3/4"	20/31	\$83.70	
5127-416 1" x 1"	10/21	\$128.25	
	1 1/4" x 1 1/4"	10/41	\$235.59
5130-019 1 1/4" x 1"	10/32	\$178.56	
5127-163 1 1/2" x 1"	8/23	\$202.42	
5127-470 1 1/2" x 3/4"	8/20	\$196.62	
5127-064 2" x 1"	8/28	\$233.99	

## 708YSMG

MNPT x G CTS



Part No.	Size	Carton PCS/WT	Price
	1" x 3/4"	20/23	\$78.57
	1" x 1"	20/34	\$119.68
5127-488	1 1/4" x 1"	10/20	\$122.88
5125-163	2" x 1"	8/27	\$182.56

## 708YSMZ

MNPT x -3Q PEP-7



Part No.	Size	Carton PCS/WT	Price
5127-421	1" x 3/4"	15/30	\$120.13
5125-170	2" x 3/4"	8/27	\$236.75

## 708YS2M

-22 CTS x MNPT



Part No.	Size	Carton PCS/WT	Price
5127-425	1" x 1"	20/24	\$116.77

### OPTIONS

See page 9 for pricing of the following:

- For Handyloc - Replace "Q" with "H" or "-3Q" with "-3H" in 3/4" & 1" only.
- For C903 tube - Replace "Q" with "K". On "Q" Series options only 3/4" & 1" only.
- For valve or fitting less flare nut add "L" to end of model number.
- CTS Anode (QA) & Flare Anode (A) - Replace "Q" with "QA" or add "A" to flare.
- Insert stiffeners are **required** on all flexible plastic connections. (See page 10 for stiffeners)



## Y-Branches

A.Y. McDonald Service Fittings are manufactured to meet or exceed the AWWA C800 (latest revision) standard. Our service fittings are rated to withstand the same pressures as the tubing they are designed to fit. They are designed and tested for cold potable water only. EPDM rubber gaskets are used in our Compression fittings.

### 708YS23

-22 CTS x -33 PEP-7



Part No.	Size	Carton PCS/WT	Price
5127-420	1" x 3/4"	10/25	\$128.54
	1 1/4" x 1"	10/25	\$235.59

### 708YSGG

G CTS x G CTS



Part No.	Size	Carton PCS/WT	Price
5192-445	3/4" x 3/4"	20/25	\$90.13
5192-101	1" x 3/4"	20/40	\$83.70
5192-419	1" x 1"	10/29	\$128.26
5128-086	1 1/4" x 1"	10/41	\$178.56
	1 1/4" x 1 1/4"	10/34	\$235.59
5127-471	1 1/2" x 3/4"	8/27	\$196.62
5192-072	1 1/2" x 1"	8/26	\$202.42
5127-392	2" x 1"	8/30	\$233.99

### 708YSQQ

Q CTS x Q CTS



Part No.	Size	Carton PCS/WT	Price
5183-400	3/4" x 3/4"	20/33	\$90.13
5182-071	1" x 3/4"	20/35	\$83.70
5127-415	1" x 1"	10/26	\$128.25
5182-271	1 1/4" x 1"	10/33	\$178.56
5183-480	1 1/4" x 1 1/4"	10/41	\$235.59
5127-468	1 1/2" x 3/4"	8/27	\$196.62
5127-067	1 1/2" x 1"	8/23	\$202.42
5127-066	2" x 1"	8/28	\$233.99

### 708YSQM

Q CTS x MNPT



Part No.	Size	Carton PCS/WT	Price
5127-424	1" x 1"	20/27	\$116.77

### 708YSQZ

Q CTS x -3Q PEP-7



Part No.	Size	Carton PCS/WT	Price
5127-419	1" x 3/4"	10/26	\$128.54

### OPTIONS

See page 9 for pricing of the following:

- For Handyloc - Replace "Q" with "H" or "-3Q" with "-3H" in 3/4" & 1" **only**.
- For C903 tube - Replace "Q" with "K". On "Q" Series options only 3/4" & 1" **only**.
- For valve or fitting less flare nut add "L" to end of model number.
- CTS Anode (QA) & Flare Anode (A) - Replace "Q" with "QA" or add "A" to flare.
- Insert stiffeners are **required** on all flexible plastic connections. (See page 10 for stiffeners)

### 708YSTT

T CTS x T CTS



Part No.	Size	Carton PCS/WT	Price
5127-446	3/4" x 3/4"	20/25	\$90.13
5132-118	1" x 3/4"	20/34	\$83.70
5127-436	1" x 1"	10/24	\$128.26
5130-018	1 1/4" x 1"	10/41	\$178.56
	1 1/4" x 1 1/4"	10/30	\$235.59
5127-469	1 1/2" x 3/4"	8/27	\$196.62
5127-162	1 1/2" x 1"	8/21	\$202.42
5127-065	2" x 1"	8/27	\$233.99

### 708YS33

-33 PEP-7 x -33 PEP-7



Part No.	Size	Carton PCS/WT	Price
5142-130	1" x 3/4"	10/31	\$172.80
5125-172	1 1/2" x 3/4"	8/27	\$331.72

### 708YS3Z

-33 PEP-7 x -3Q PEP



Part No.	Size	Carton PCS/WT	Price
5125-173	1 1/2" x 3/4"	8/40	\$331.72

### 708YSZZ

-3Q PEP-7 x -3Q PEP-7



Part No.	Size	Carton PCS/WT	Price
5182-270	1" x 3/4"	10/33	\$172.80
5183-481	1" x 1"	10/43	\$242.63

### 708YS44

-44 PVC x -44 PVC



Part No.	Size	Carton PCS/WT	Price
5142-178	1" x 3/4"	10/34	\$172.80
5113-167	1" x 1"	10/43	\$242.63

### 708YS55

-55 IP x -55 IP



Part No.	Size	Carton PCS/WT	Price
5146-144	1" x 3/4"	10/28	\$172.80
	1" x 1"	10/43	\$242.63

### 708YSMF

MNPT x FNPT

Part No.	Size	Carton PCS/WT	Price
5127-493	1" x 3/4"	20/15	\$79.36

### 708YSFQ

FNPT x QCTS

Part No.	Size	Carton PCS/WT	Price
5127-489	1 1/4" x 1"	10/23	\$124.27

### 708YSF2

FNPT x -22 CTS

Part No.	Size	Carton PCS/WT	Price
5127-490	1 1/4" x 1"	10/21	\$124.27

### 708YSFT

FNPT x T CTS

Part No.	Size	Carton PCS/WT	Price
5127-491	1 1/4" x 1"	10/22	\$124.27

### 708YSFT

FNPT x G CTS

Part No.	Size	Carton PCS/WT	Price
5127-492	1 1/4" x 1"	10/23	\$124.27





# Y-Branches

A.Y. McDonald Service Fittings are manufactured to meet or exceed the AWWA C800 (latest revision) standard. Our service fittings are rated to withstand the same pressures as the tubing they are designed to fit. They are designed and tested for cold potable water only. EPDM rubber gaskets are used in our Compression fittings.

## 708Y2M2

MNPT x -22 CTS



Part No.	Size	Carton PCS/WT	Price
5127-474	1 1/2" x 3/4"	8/27	\$184.62
5127-165	1 1/2" x 1"	8/15	\$127.46
5127-220	2" x 1"	8/17	\$182.56

## 708Y2MG

MNPT x G CTS



Part No.	Size	Carton PCS/WT	Price
5127-475	1 1/2" x 3/4"	8/27	\$184.62
5192-073	1 1/2" x 1"	8/19	\$127.46
5127-387	2" x 1"	8/21	\$182.56

## 708Y2MQ

MNPT x Q CTS



Part No.	Size	Carton PCS/WT	Price
5127-472	1 1/2" x 3/4"	8/27	\$184.62
5182-389	1 1/2" x 1"	8/17	\$127.46
5127-221	2" x 1"	8/19	\$182.56

## 708Y2MT

MNPT x T CTS Compression



Part No.	Size	Carton PCS/WT	Price
5127-473	1 1/2" x 3/4"	8/27	\$184.62
5127-164	1 1/2" x 1"	8/17	\$127.46
5127-222	2" x 1"	8/18	\$182.56

### OPTIONS

See page 9 for pricing of the following:

- For Handyloc - Replace "Q" with "H" or "-3Q" with "-3H" in 3/4" & 1" **only**.
- For C903 tube - Replace "Q" with "K". On "Q" Series options only 3/4" & 1" **only**.
- For valve or fitting less flare nut add "L" to end of model number.
- CTS Anode (QA) & Flare Anode (A) - Replace "Q" with "QA" or add "A" to flare.
- Insert stiffeners are **required** on all flexible plastic connections. (See page 10 for stiffeners)

## 708Y2CC

Flare x Flare



Part No.	Size	Carton PCS/WT	Price
5127-101	1 1/4" x 3/4"		\$217.99
5127-100	1" x 3/4"		\$196.03
5127-104	1 1/2" x 1"		\$230.48

## 708Y3CC

Flare x Flare



Part No.	Size	Carton PCS/WT	Price
5127-108	2" x 1"	1/8	\$514.93

## 708Y3MC

MNPT x Flare



Part No.	Size	Carton PCS/WT	Price
5127-119	2" x 1"	1/6	\$330.86

## 708Y4TTWTA

T CTS x T CTS - Water Tight Assembly



Part No.	Size	Carton PCS/WT	Price
5127-453	2" x 3/4"	1/6	\$535.01
5127-455	2" x 1"	1/6	\$549.19

## 708Y422WTA

-22 CTS x -22 CTS - Water Tight Assembly

Part No.	Size	Carton PCS/WT	Price
5127-454	2" x 3/4"	1/6	\$535.01
5127-456	2" x 1"	1/6	\$549.19

## 708Y4MTWTA

MNPT x T CTS - Water Tight Assembly

Part No.	Size	Carton PCS/WT	Price
5127-457	2" x 3/4"	1/6	\$384.01
5127-459	2" x 1"	1/6	\$398.19

## 708Y4M2WTA

MNPT x -22 CTS - Water Tight Assembly

Part No.	Size	Carton PCS/WT	Price
5127-458	2" x 3/4"	1/6	\$384.01
5127-460	2" x 1"	1/6	\$398.19

## 708Y4CCWTA

Flare x Flare - Water Tight Assembly

Part No.	Size	Carton PCS/WT	Price
5127-461	2" x 3/4"	1/6	\$618.48
5127-462	2" x 1"	1/6	\$656.13

## 708Y4MCWTA

MNPT x Flare - Water Tight Assembly

Part No.	Size	Carton PCS/WT	Price
5127-463	2" x 3/4"	1/6	\$373.50
5127-464	2" x 1"	1/6	\$411.15

## 708Y4MQWTA

MNPT x Q CTS - Water Tight Assembly

Part No.	Size	Carton PCS/WT	Price
5127-465	2" x 3/4"	1/6	\$384.01
	2" x 1"	1/6	\$398.19

## 708Y4QQWTA

Q CTS x Q CTS - Water Tight Assembly

Part No.	Size	Carton PCS/WT	Price
5127-466	2" x 3/4"	1/6	\$535.01
5127-467	2" x 1"	1/6	\$549.19

## 74765

Multi-Service Y FNPT x (Four) FNPT  
See pages 206-208 for connections



Part No.	Size	Carton PCS/WT	Price
5127-171	2" x 1"	10/28	\$163.20



# Nuts & Gaskets

## 4700

Copper Flare Nut



Part No.	Size	Carton PCS/WT	Price
4119-217	1/2"	50/8	\$5.00
4116-146	3/4"	50/17	\$8.21
4116-147	1"	50/28	\$13.60
4121-229	1 1/4"	25/22	\$21.83
4122-221	1 1/2"	20/27	\$37.95
4116-212	2"	16/37	\$70.76

## 4700A

Copper Flare Nut with Anode



Part No.	Size	Carton PCS/WT	Price
4116-000	3/4"	50/22	\$21.56
4116-001	1"	50/35	\$26.94

## 4700-22

Mac Pak -22 CTS Pack Nut & Gasket Assembly



Part No.	Size	Carton PCS/WT	Price
4141-003	1/2"	50/11	\$8.87
4141-184	3/4"	50/13	\$9.77
4141-185	1"	50/15	\$14.99
4141-186	1 1/4"	25/13	\$26.79
4141-407	2 1/2"	5/9	\$75.97

## 4700-22-12

Mac Pak -22 CTS Pack Nut & Gasket Assembly



Part No.	Size	Carton PCS/WT	Price
4141-206	1 1/2"	20/16	\$31.60
4141-204	2"	20/28	\$44.45

## 4700-22-16

Mac Pak -22 CTS Pack Nut & Gasket Assembly Corp Only



Part No.	Size	Carton PCS/WT	Price
4141-363	1 1/2"	25/22	\$31.60
4141-364	2"	25/33	\$44.45

## 4700-22FT

Mac Pak -22 CTS Pack Nut & Gasket Assembly Corp Only



Part No.	Size	Carton PCS/WT	Price
4133-462	1 1/2"	20/24	\$47.08
4133-444	2"	20/32	\$59.75

## 4700-22GA

Mac Pak -22 CTS Gasket Assembly



Part No.	Size	Carton PCS/WT	Price
4130-091	1/2"	50/1	\$1.76
4130-068	3/4"	50/1	\$1.16
4130-069	1"	50/1	\$1.47
4130-092	1 1/4"	50/2	\$4.11
4141-049	1 1/2"	10/1	\$6.23
4130-087	2"	10/1	\$9.48

## 4700-22RWGA

Mac Pak -22 CTS Gasket Assembly



Part No.	Size	Carton PCS/WT	Price
4141-048	1 1/2"	10/1	\$5.43
4130-088	2"	10/1	\$4.27

## 4700CSS

Mac Pak Small Clamp Screw  
Fits all 3/4" & 1" MacPak nuts & 1 1/4" -22 Mac Pak



Part No.	Size	Carton PCS/WT	Price
4130-089	1/4-20	25/1	\$1.36

## 4700CSL

Mac Pak Large Clamp Screw  
Fits all 1 1/4" MacPak (Except -22) & 1 1/2" & 2" Mac Pak nuts



Part No.	Size	Carton PCS/WT	Price
4130-090	5/16-18	25/1	\$2.67

## 4700-11

RANGER Nut Assembly



Part No.	Size	Carton PCS/WT	Price
4196-015	3/4"	25/14	\$27.33
4196-016	1"	30/25	\$43.93
4196-065	1 1/4"	30/25	\$52.61
	1 1/2"	20/30	\$77.49

## 4700G

McGrip G CTS Grip Nut & Gasket Assembly



Part No.	Size	Carton PCS/WT	Price
4192-021	3/4"	50/20	\$12.64
4192-001	1"	50/27	\$20.64
4192-093	1 1/4"	25/20	\$28.92

## 4700G-12

McGrip G CTS Grip Nut & Gasket Assembly



Part No.	Size	Carton PCS/WT	Price
4192-009	1 1/2"	25/23	\$36.97
4192-005	2"	25/28	\$51.12

## 4700G-16

McGrip G CTS Grip Nut & Gasket Assembly Corp only



Part No.	Size	Carton PCS/WT	Price
4192-238	1 1/2"	25/22	\$36.97
4192-239	2"	25/29	\$51.12

## 4700GFT

McGrip G CTS Grip Nut & Gasket Assembly Corp Only



Part No.	Size	Carton PCS/WT	Price
4192-341	1 1/2"	25/27	\$50.34
4192-342	2"	25/35	\$60.94

## 4700GGA

McGrip G CTS Gasket Assembly



Part No.	Size	Carton PCS/WT	Price
4192-188	3/4"	25/1	\$4.22
4192-189	1"	25/2	\$5.30
4192-190	1 1/4"	10/1	\$9.09
4192-191	1 1/2"	10/1	\$13.96
4192-192	2"	10/2	\$20.91

## 4700GRWGA

McGrip G CTS Gasket Assembly

Part No.	Size	Carton PCS/WT	Price
	1 1/2"	10/1	\$13.96
	2"	10/2	\$20.91

## 4700HAYS

Haystite Nut & Gasket Assembly



Part No.	Size	Carton PCS/WT	Price
8901-001	3/4"	60/20	\$19.99
8901-002	1"	24/14	\$24.51

## 4700H

Handy-Loc H CTS Nut & Gasket Assembly



Part No.	Size	Carton PCS/WT	Price
4194-000	3/4"	50/15	\$19.41
4194-004	1"	50/22	\$24.29



# Nuts & Gaskets

**4700HGR**  
Handy-Loc H CTS Gripper



Part No.	Size	Carton PCS/WT	Price
4194-090	3/4"	10/1	\$2.34
4194-091	1"	10/1	\$2.34

**4700HOR**  
Handy-Loc H CTS O-Ring



Part No.	Size	Carton PCS/WT	Price
4194-094	3/4"	10/1	\$3.92
4194-095	1"	10/1	\$3.92

**74700K**  
C903 K Nut & Gasket Assembly



Part No.	Size	Carton PCS/WT	Price
5172-056	3/4"	10/6	\$52.30
5172-057	1"	10/8	\$69.09

**74700KA**  
C903 K Nut with Anode & Gasket Assembly

Part No.	Size	Carton PCS/WT	Price
5172-090	3/4"	10/8	\$65.62

**4700KGR**  
C903 K Grip Ring



Part No.	Size	Carton PCS/WT	Price
4172-080	3/4"	10/2	\$11.24
4172-081	1"	10/1	\$11.97

**4700KOKIT**  
C903 K O-Ring



Part No.	Size	Carton PCS/WT	Price
4172-103	3/4"	10/1	\$7.99
4172-104	1"	1/1	\$10.37

**4700Q**  
McQuick Q CTS Quick Nut & Gasket Assembly



Part No.	Size	Carton PCS/WT	Price
4182-155	3/4"	50/14	\$14.99
4182-156	1"	50/23	\$18.39
4182-157	1 1/4"	25/14	\$30.08

**4700Q-12**  
McQuick Q CTS Quick Nut & Gasket Assembly



Part No.	Size	Carton PCS/WT	Price
4182-158	1 1/2"	20/12	\$39.18
4182-159	2"	20/16	\$54.19

**4700Q-16**  
McQuick Q CTS Quick Nut & Gasket Assembly Corp Only



Part No.	Size	Carton PCS/WT	Price
4182-325	1 1/2"	25/14	\$39.18
4182-326	2"	25/25	\$54.19

**4700QA**  
McQuick Q CTS Quick Nut with Anode & Gasket Assembly



Part No.	Size	Carton PCS/WT	Price
4182-412	3/4"	50/18	\$28.30
4182-413	1"	25/14	\$31.72
4182-460	1 1/4"	25/15	\$42.25

**4700QA-12**  
McQuick Q CTS Quick Nut with Anode & Gasket Assembly



Part No.	Size	Carton PCS/WT	Price
4182-414	1 1/2"	20/16	\$52.49
4182-416	2"	20/18	\$67.49

**4700QA-16**  
McQuick Q CTS Quick Nut with Anode & Gasket Assembly Corp Only



Part No.	Size	Carton PCS/WT	Price
4182-415	1 1/2"	25/17	\$52.49
4182-417	2"	20/18	\$67.49

**4700QGA**  
McQuick Q CTS Gasket Assembly



Part No.	Size	Carton PCS/WT	Price
4182-160	3/4"	50/1	\$5.82
4182-161	1"	50/2	\$7.00
4182-163	1 1/4"	10/1	\$14.92
4182-162	1 1/2"	10/1	\$9.25
4182-164	2"	10/1	\$20.54

**4700T**  
T CTS Nut & Gasket Assembly



Part No.	Size	Carton PCS/WT	Price
4141-189	3/4"	50/14	\$12.57
4141-190	1"	50/21	\$20.59
4141-191	1 1/4"	25/19	\$28.91

**4700T-12**  
T CTS Nut & Gasket Assembly



Part No.	Size	Carton PCS/WT	Price
4141-207	1 1/2"	20/10	\$36.93
4141-205	2"	20/15	\$51.07

**4700T-16**  
T CTS Nut & Gasket Assembly Corp Only



Part No.	Size	Carton PCS/WT	Price
4141-192	1 1/2"	20/9	\$50.30
4141-193	2"	20/14	\$60.94

## Nuts & Gaskets

### 4700TFT

T CTS Nut & Gasket Assembly  
Corp Only



Part No.	Size	Carton PCS/WT	Price
4133-451	1 1/2"	20/18	\$50.30
4133-432	2"	20/28	\$60.94

### 4700TA

T CTS Nut with Anode & Gasket Assembly



Part No.	Size	Carton PCS/WT	Price
4130-048	3/4"	50/16	\$25.89
4130-049	1"	25/13	\$33.92

### 4700TGA

T CTS Gasket Assembly



Part No.	Size	Carton PCS/WT	Price
4130-066	3/4"	50/1	\$5.42
4130-067	1"	50/2	\$6.71
4130-099	1 1/4"	10/1	\$20.57
4130-097	1 1/2"	10/1	\$17.81
4131-061	2"	10/2	\$26.81

### 4700TRWGA

T CTS Gasket Assembly



Part No.	Size	Carton PCS/WT	Price
4131-245	1 1/2"	10/1	\$16.86
4131-057	2"	10/1	\$17.18

### 4700-33

Mac Pak -33 PEP-7  
Pack Nut & Gasket Assembly



Part No.	Size	Carton PCS/WT	Price
4143-128	3/4"	50/18	\$16.31
4143-129	1"	25/13	\$26.79
4131-016	1 1/4"	20/22	\$42.26
4131-041	2"	20/31	\$57.11

### 4700-33A

Mac Pak -33 PEP-7 with  
Anode Connection



Part No.	Size	Carton PCS/WT	Price
4123-068	1 1/4"	20/24	\$55.55
4123-067	2"	20/31	\$70.37

### 4700-33-12

Mac Pak -33 PEP-7 Pack Nut &  
Gasket Assembly



Part No.	Size	Carton PCS/WT	Price
4131-040	1 1/2"	20/28	\$43.81

### 4700-33FT

Mac Pak -33 PEP-7 Pack Nut &  
Gasket Assembly Corp Only



Part No.	Size	Carton PCS/WT	Price
4131-039	1 1/2"	20/33	\$59.93

### 4700-33GA

Mac Pak -33 PEP-7 Gasket Assembly



Part No.	Size	Carton PCS/WT	Price
4130-075	3/4"	50/1	\$4.23
4130-076	1"	25/1	\$4.11
4141-352	1 1/4"	10/1	\$9.67
4128-088	1 1/2"	10/1	\$9.48
4131-356	2"	10/2	\$5.90

### 4700-33RWGA

Mac Pak -33 PEP-7 Gasket Assembly



Part No.	Size	Carton PCS/WT	Price
4117-164	1 1/2"	10/1	\$9.48

### 4700-34

Mac Pak -34 PEP-9  
Pack Nut & Gasket Assembly



Part No.	Size	Carton PCS/WT	Price
4123-081	3/4"	50/19	\$16.35
4123-085	1"	25/13	\$26.81
4125-024	1 1/4"	20/22	\$42.26
4125-035	1 1/2"	20/25	\$43.81
4125-041	2"	20/31	\$57.11

### 4700-36NS

Non-Stop McGrip Nut  
-3G PEP -7 & Gasket Assembly



Part No.	Size	Carton PCS/WT	Price
4192-428	3/4"	50/26	\$18.16
4192-429	1"	25/19	\$28.92

### 4700-3G

McGrip -3G PEP-7  
Grip Nut & Gasket Assembly



Part No.	Size	Carton PCS/WT	Price
4192-087	3/4"	50/26	\$18.16
4192-097	1"	25/19	\$28.92

### 4700-3GGA

McGrip -3G PEP-7 Gasket Assembly



Part No.	Size	Carton PCS/WT	Price
4192-193	3/4"	25/1	\$8.06
4192-194	1"	25/2	\$9.09

### 4700-3H

Handy-Loc -3H PEP-7  
Nut & Gasket Assembly



Part No.	Size	Carton PCS/WT	Price
4194-008	3/4"	50/24	\$24.02
4194-012	1"	50/34	\$37.78

### 4700-3HGR

Handy-Loc -3H PEP-7 Gripper



Part No.	Size	Carton PCS/WT	Price
4194-092	3/4"	10/1	\$2.34
4194-093	1"	10/1	\$2.34

### 4700-3HOR

Handy-Loc -3H PEP-7 O-Ring



Part No.	Size	Carton PCS/WT	Price
4194-096	3/4"	10/1	\$3.92
4194-097	1"	10/1	\$3.92

### 4700-3Q

McQuick -3Q PEP-7  
Quick Nut & Gasket Assembly



Part No.	Size	Carton PCS/WT	Price
4182-284	3/4"	50/23	\$22.80
4182-368	1"	50/28	\$30.08



# Nuts & Gaskets

## 4700-3QA

McQuick -3Q PEP-7 Quick Nut with Anode & Gasket Assembly



Part No.	Size	Carton PCS/WT	Price
4182-458	3/4"	25/14	\$31.44
4182-459	1"	25/16	\$42.25

## 4700-3QGA

McQuick -3Q PEP-7 Gasket Assembly



Part No.	Size	Carton PCS/WT	Price
4141-335	3/4"	50/1	\$6.75
4182-440	1"	10/1	\$9.25

## 4700-44

Mac Pak -44 PVC Pack Nut & Gasket Assembly



Part No.	Size	Carton PCS/WT	Price
4143-130	3/4"	50/18	\$16.31
4143-131	1"	25/13	\$26.77
4130-061	1 1/2"	20/20	\$44.88
4130-062	2"	20/30	\$56.30

## 4700-44-12

Mac Pak -44 PVC Pack Nut & Gasket Assembly



Part No.	Size	Carton PCS/WT	Price
4130-023	1 1/4"	20/16	\$28.62

## 4700-44FT

Mac Pak -44 PVC Pack Nut & Gasket Assembly Corp Only



Part No.	Size	Carton PCS/WT	Price
4130-026	1 1/4"	20/24	\$52.65

## 4700-44GA

Mac Pak -44 PVC Gasket Assembly



Part No.	Size	Carton PCS/WT	Price
4140-008	3/4"	50/1	\$4.23
4130-130	1"	50/2	\$4.11
4141-052	1 1/4"	10/1	\$9.42
4141-051	1 1/2"	10/1	\$4.08
4141-050	2"	10/1	\$8.52

## 4700-44RWGA

Mac Pak -44 PVC Gasket Assembly



Part No.	Size	Carton PCS/WT	Price
4141-053	1 1/4"	10/1	\$3.75

## 4700-55

Mac Pak -55 IP Pack Nut & Gasket Assembly



Part No.	Size	Carton PCS/WT	Price
4146-123	3/4"	50/13	\$10.47
4146-124	1"		\$18.16
4132-314	1 1/2"	20/23	\$34.03
4131-235	2"	20/28	\$43.04

## 4700-55GA

Mac Pak -55 IP Gasket Assembly



Part No.	Size	Carton PCS/WT	Price
4131-065	3/4"	50/1	\$2.40
4180-100	1"	50/2	\$2.62
	1 1/2"	10/5	\$4.24
	2"	10/8	\$9.16

## 4700-66

Mac Pak -66 Strong Lead Pack Nut & Gasket Assembly



Part No.	Size	Carton PCS/WT	Price
	5/8"	10/5	\$16.49
	3/4"	10/8	\$15.90
	1"	10/10	\$27.10

## 4700-66GA

Mac Pak -66 Strong Lead Gasket Assembly



Part No.	Size	Carton PCS/WT	Price
4180-084	5/8"	10/2	\$2.40
4180-083	3/4"	10/1	\$1.47
4180-071	1"	10/3	\$3.04

## 4700-67

Mac Pak -67 X Strong Lead Pack Nut & Gasket Assembly



Part No.	Size	Carton PCS/WT	Price
	1/2"	10/3	\$9.77
	5/8"	10/5	\$16.05
4121-467	3/4"	10/8	\$21.80
	1"	10/10	\$26.79
	1 1/4"	10/13	\$29.19
	1 1/2"	10/15	\$53.09
	2"	10/18	\$91.73

## 4700-67GA

Mac Pak -67 X Strong Lead Gasket Assembly



Part No.	Size	Carton PCS/WT	Price
4180-082	1/2"	10/1	\$1.16
4180-081	5/8"	10/1	\$2.40
4180-072	3/4"	10/1	\$2.62
4180-075	1"	10/2	\$3.04
4180-074	1 1/4"	10/1	\$3.07
4180-080	1 1/2"	10/5	\$4.27
4180-079	2"	10/8	\$9.17

## 4700-68

Mac Pak -68 XX Strong Lead Pack Nut & Gasket Assembly



Part No.	Size	Carton PCS/WT	Price
4180-106	1/2"	50/19	\$16.49
	5/8"	10/5	\$15.90
	3/4"	10/8	\$20.53
	1"	10/10	\$26.79

## 4700-68GA

Mac Pak -68 XX Strong Lead Gasket Assembly



Part No.	Size	Carton PCS/WT	Price
4180-078	1/2"	10/2	\$2.40
4180-077	5/8"	10/1	\$1.47
4180-076	3/4"	10/1	\$3.08
4180-073	1"	10/1	\$2.92





## CTS Compression Nuts & Gasket Assemblies & Replacement Gaskets

### 1 1/2" & 2" CORPORATION STOPS

#### -22 NUT AND GASKET ASSEMBLIES

4141-363	4700-22-16 1 1/2 CTS MAC-PAK NUT&GSKT ASSY-16P CO
4141-364	4700-22-16 2 CTS MAC-PAK NUT&GSKT ASSY-16P CO
4133-462	4700-22FT 1 1/2 CTS MAC-PAK NUT & GSKT ASSY-FT
4133-444	4700-22FT 2 CTS MAC-PAK NUT & GSKT ASSY-FT

#### -22 GASKET ASSEMBLIES

4141-048	4700-22RWGA 1 1/2 CTS MAC-PAK GSKT ASSY 16P
4130-088	4700-22RWGA 2 CTS MAC-PAK GSKT ASSY 16P
4141-049	4700-22GA 1 1/2 CTS MAC-PAK GASKET ASSY - FT
4130-087	4700-22GA 2 CTS MAC-PAK GASKET ASSY - FT

#### Q NUT AND GASKET ASSEMBLIES

4182-325	4700Q-16 1 1/2 CTS McQUIK NUT & GASKET ASSY-16P CO
4182-326	4700Q-16 2 CTS McQUIK NUT & GASKET ASSY-16P CO

#### Q GASKET ASSEMBLIES

4182-163	4700QGA 1 1/2 CTS McQUIK GASKET ASSEMBLY
4182-164	4700QGA 2 CTS McQUIK GASKET ASSEMBLY

#### QA NUT AND GASKET ASSEMBLIES

4182-415	4700QA-16 1 1/2 CTS ANODE NT & GSKT ASY-16P CO
4182-417	4700QA-16 2 CTS ANODE NUT & GSKT ASSY-16P CO

#### QA GASKET ASSEMBLIES

4182-163	4700QGA 1 1/2 CTS McQUIK GASKET ASSEMBLY
4182-164	4700QGA 2 CTS McQUIK GASKET ASSEMBLY

#### T NUT AND GASKET ASSEMBLIES

4141-192	4700T-16 1 1/2 CTS T NUT & GSKT ASSY-16P CO
4141-193	4700T-16 2 CTS T NUT & GSKT ASSY-16P CO
4133-451	4700TFT 1 1/2 CTS T NUT & GASKET ASSEMBLY-FT
4133-432	4700TFT 2 CTS T NUT & GASKET ASSEMBLY-FT

#### T GASKET ASSEMBLIES

4131-245	4700TRWGA 1 1/2 T COMP GASKET ASSY 16P
4131-057	4700TRWGA 2 T COMP GASKET ASSY 16P
4130-097	4700TGA 1 1/2 T COMP GASKET ASSY - FT
4131-061	4700TGA 2 T COMP GASKET ASSY - FT

#### G NUT AND GASKET ASSEMBLIES

4192-238	4700G-16 1 1/2 CTS McGRIP NUT & GASKET ASSY-16P CO
4192-239	4700G-16 2 CTS McGRIP NUT & GASKET ASSY-16P CO
4192-341	4700GFT 1 1/2 CTS McGRIP NUT & GASKET ASSY-FT
4192-342	4700GFT 2 CTS McGRIP NUT & GASKET ASSY-FT

#### G GASKET ASSEMBLIES

	4700GRWGA 1 1/2 T COMP GASKET ASSY 16P
	4700GRWGA 2 T COMP GASKET ASSY 16P
	4700GGA 1 1/2 T COMP GASKET ASSY - FT
	4700GGA 2 T COMP GASKET ASSY - FT

### 1 1/2" & 2" EVERYTHING ELSE

#### -22 NUT AND GASKET ASSEMBLIES

4141-206	4700-22-12 1 1/2 CTS MAC-PAK NUT & GSKT ASSY-12P
4141-204	4700-22-12 2 CTS MAC-PAK NUT & GSKT ASSY-12P

#### -22 GASKET ASSEMBLIES

4141-048	4700-22RWGA 1 1/2 CTS MAC-PAK GSKT ASSY 12P
4130-088	4700-22RWGA 2 CTS MAC-PAK GSKT ASSY 12P

#### Q NUT AND GASKET ASSEMBLIES

4182-158	4700Q-12 1 1/2 CTS McQUIK NUT & GASKET ASSY-12P
4182-159	4700Q-12 2 CTS McQUIK NUT & GASKET ASSY-12P

#### Q GASKET ASSEMBLIES

4182-163	4700QGA 1 1/2 CTS McQUIK GASKET ASSEMBLY
4182-164	4700QGA 2 CTS McQUIK GASKET ASSEMBLY

#### QA NUT AND GASKET ASSEMBLIES

4182-414	4700QA-12 1 1/2 CTS ANODE NUT & GASKET ASSY-12P
4182-416	4700QA-12 2 CTS ANODE NUT & GASKET ASSY-12P

#### QA GASKET ASSEMBLIES

4182-163	4700QGA 1 1/2 CTS McQUIK GASKET ASSEMBLY
4182-164	4700QGA 2 CTS McQUIK GASKET ASSEMBLY

#### T NUT AND GASKET ASSEMBLIES

4141-207	4700T-12 1 1/2 CTS T NUT & GASKET ASSEMBLY-12P
4141-205	4700T-12 2 CTS T NUT & GASKET ASSEMBLY-12P

#### T GASKET ASSEMBLIES

4131-245	4700TRWGA 1 1/2 T COMP GASKET ASSY 12P
4131-057	4700TRWGA 2 T COMP GASKET ASSY 12P

#### G NUT AND GASKET ASSEMBLIES

4192-009	4700G-12 1 1/2 CTS McGRIP NUT & GASKET ASSY-12P
4192-005	4700G-12 2 CTS McGRIP NUT & GASKET ASSY-12P

#### G GASKET ASSEMBLIES

4192-191	4700GGA 1 1/2 McGRIP GASKET ASSEMBLY
4192-192	4700GGA 2 McGRIP GASKET ASSEMBLY



# CTS Compression Nuts & Gasket Assemblies & Replacement Gaskets

## 1/2" - 1 1/4" EVERYTHING

### -22 NUT AND GASKET ASSEMBLIES

4141-003	4700-22 1/2 CTS MAC-PAK NUT & GASKET ASSY-FT
4141-184	4700-22 3/4 CTS MAC-PAK NUT & GASKET ASSY-FT
4141-185	4700-22 1 CTS MAC-PAK NUT & GASKET ASSY-FT
4141-186	4700-22 1 1/4 CTS MAC-PAK NUT & GASKET ASSY-FT

### -22 GASKET ASSEMBLIES

4130-091	4700-22GA 1/2 CTS MAC-PAK GASKET ASSY - FT
4130-068	4700-22GA 3/4 CTS MAC-PAK GASKET ASSY - FT
4130-069	4700-22GA 1 CTS MAC-PAK GASKET ASSY - FT
4130-092	4700-22GA 1 1/4 CTS MAC-PAK GASKET ASSY - FT

### Q NUT AND GASKET ASSEMBLIES

4182-155	4700Q 3/4 CTS McQUIK NUT & GASKET ASSY-FT
4182-156	4700Q 1 CTS McQUIK NUT & GASKET ASSY-FT
4182-157	4700Q 1 1/4 CTS McQUIK NUT & GASKET ASSY-FT

### Q GASKET ASSEMBLIES

4182-160	4700QGA 3/4 CTS McQUIK GASKET ASSEMBLY
4182-161	4700QGA 1 CTS McQUIK GASKET ASSEMBLY
4182-162	4700QGA 1 1/4 CTS McQUIK GASKET ASSEMBLY

### QA NUT AND GASKET ASSEMBLIES

4182-412	4700QA 3/4 CTS ANODE NUT & GASKET ASSY-FT
4182-413	4700QA 1 CTS ANODE NUT & GASKET ASSY-FT
4182-460	4700QA 1 1/4 CTS McQUIK ANODE NUT & GSKT ASSY-FT

### QA GASKET ASSEMBLIES

4182-160	4700QGA 3/4 CTS McQUIK GASKET ASSEMBLY
4182-161	4700QGA 1 CTS McQUIK GASKET ASSEMBLY
4182-162	4700QGA 1 1/4 CTS McQUIK GASKET ASSEMBLY

### T NUT AND GASKET ASSEMBLIES

4141-189	4700T 3/4 CTS NUT & GASKET ASSEMBLY - FT
4141-190	4700T 1 CTS T NUT & GASKET ASSEMBLY-FT
4141-191	4700T 1 1/4 CTS T NUT & GASKET ASSEMBLY-FT

### T GASKET ASSEMBLIES

4130-066	4700TGA 3/4 T COMP GASKET ASSY
4130-067	4700TGA 1 T COMP GASKET ASSY
4130-099	4700TGA 1 1/4 T COMP GASKET ASSY

### G NUT AND GASKET ASSEMBLIES

4192-021	4700G 3/4 CTS McGRIP NUT & GASKET ASSY-FT
4192-001	4700G 1 CTS McGRIP NUT & GASKET ASSY-FT
4192-093	4700G 1 1/4 CTS McGRIP NUT & GASKET ASSY-FT

### G GASKET ASSEMBLIES

4192-188	4700GGA 3/4 McGRIP GASKET ASSEMBLY
4192-189	4700GGA 1 McGRIP GASKET ASSEMBLY
4192-190	4700GGA 1 1/4 McGRIP GASKET ASSEMBLY



## Accessories

### 4772 CTS Chamfer Tool



Part No.	Size	Carton PCS/WT	Price
4194-016	3/4"	1/1	\$44.07
4194-017	1"	1/1	\$44.07

### 4773 PEP Chamfer Tool



Part No.	Size	Carton PCS/WT	Price
4194-018	3/4"	1/1	\$44.07
4194-019	1"	1/1	\$44.07

### 4773R Replacement Blades for Handy-Loc Chamfer Tools (25 per)



Part No.	Size	Carton PCS/WT	Price
4194-068		25/25	\$28.83

### 4774FR Flaring/Rounding Tools



Part No.	Size	Carton PCS/WT	Price
4050-005	3/4"	1/2	\$99.34
4050-006	1"	1/3	\$115.19
4050-007	1 1/4"	1/4	\$140.97
4050-008	1 1/2"	1/5	\$162.79
4050-009	2"	1/8	\$190.59

### 4775N Flaring Tools



Part No.	Size	Carton PCS/WT	Price
4120-147	3/4"	1/1	\$37.61
4121-151	1"	1/2	\$53.16
4121-152	1 1/4"	1/2	\$83.79
4122-149	1 1/2"	1/3	\$104.45
4122-150	2"	1/4	\$143.63

### 74692 CTS x Flare Conversion Insert



Part No.	Size	Carton PCS/WT	Price
5121-093	3/4"	25/3	\$23.17
5121-094	1"	10/3	\$28.84
5121-483	1 1/4"	10/5	\$171.06

### 74692CPLL Female CTS Conversion Coupling to Flare



Part No.	Size	Carton PCS/WT	Price
5121-484	1 1/2"		\$155.86
5121-485	-16 1 1/2"	10/20	\$155.86

### 74692PEP PEP-7 to Flare Conversion Insert



Part No.	Size	Carton PCS/WT	Price
5121-486	3/4"	10/3	\$28.84

### 74692T CTS x CTS Reducing Adapter



Part No.	Size	Carton PCS/WT	Price
5123-077	1" x 3/4"	1/1	\$52.76

### 74692Q CTS x CTS Reducing Adapter



Part No.	Size	Carton PCS/WT	Price
5123-078	1" x 3/4"	1/1	\$52.76

### 74694-33-22 Conversion Coupling PEP-7 to CTS



Part No.	Size	Carton PCS/WT	Price
5111-140	3/4" x 1"	10/8	\$120.69

### 74693 Compression Endcap



Part No.	Size	Carton PCS/WT	Price
5123-057	3/4"	1/25	\$53.09
5125-218	1"	1/80	\$85.95
5125-211	1 1/4"	1/25	\$99.19

### 74693-16 Corp Only



Part No.	Size	Carton PCS/WT	Price
5125-209	1 1/2"	1/25	\$127.62
5125-207	2"	1/30	\$167.98

### 74693-12 Compression Endcap



Part No.	Size	Carton PCS/WT	Price
5125-210	1 1/2"	1/25	\$127.62
5125-208	2"	1/30	\$167.98

### 74693FT Compression Endcap



Part No.	Size	Carton PCS/WT	Price
5125-214	1 1/2"	1/30	\$127.62
5125-212	2"	1/25	\$167.98



# Accessories

## 6125

Solid Copper Disc used with copper Flare Nut to terminate connection



Part No.	Size	Carton PCS/WT	Price
4131-184	3/4"	1/1	\$3.07
4131-185	1"	1/1	\$4.08
4131-186	1 1/4"	1/1	\$6.07
4131-187	1 1/2"	1/1	\$10.07
4131-188	2"	1/1	\$11.19

## 73208S

Plug Square Head MNPT Short



Part No.	Size	Carton PCS/WT	Price
5126-116	1/2"	50/6	\$34.57
5126-117	3/4"	50/11	\$29.79
5126-118	1 1/2"	15/1	\$55.60
5126-114	2"	10/9	\$72.09

## 73202

Union XS Flange x FNPT



Part No.	Size	Carton PCS/WT	Price
5119-106	1/2"	25/19	\$53.03
5120-112	5/8"	25/20	\$52.48
5120-113	3/4"	25/26	\$54.85

## 710JTUBCAP

Copper Tube with Cap

Part No.	Size	Carton PCS/WT	Price
5138-043	1" x 4"	15/1	\$31.43

## 6131T

Plastic CTS Insert Stiffener



Part No.	Size	Carton PCS/WT	Price
4130-249	3/4"	50/1	\$2.23
4130-250	1"	50/1	\$3.08

## 6133CTS

Stainless Steel CTS Insert Drawn Stiffener



Part No.	Size	Carton PCS/WT	Price
4140-602	3/4"	50/2	\$3.16
4140-603	1"	50/2	\$3.34
4140-607	1 1/4"	50/3	\$4.11
4140-604	1 1/2"	50/5	\$4.61
4140-605	2"	50/6	\$4.61

## 6133T

Stainless Steel CTS Insert Stiffener ASTM D2737 SDR 9



Part No.	Size	Carton PCS/WT	Price
4130-759	3/4"	50/2	\$3.16
4130-760	1"	50/3	\$3.35
4130-761	1 1/4"	50/3	\$4.11
4130-762	1 1/2"	50/5	\$4.61
4130-763	2"	50/6	\$4.61

## 6136

Stainless Steel PEP Insert Stiffener ASTM D2239 SDR 7 and 9



Part No.	Size	Carton PCS/WT	Price
4130-764	3/4"	50/3	\$3.56
4130-765	1"	50/4	\$4.11
4130-892	1 1/4"	50/5	\$6.10
4130-893	1 1/2"	50/6	\$4.61
4130-894	2"	25/4	\$7.35

## 6136PEP

Stainless Steel PEP Insert Stiffener ASTM D2239 SDR 7 and 9



Part No.	Size	Carton PCS/WT	Price
4140-606	3/4"	50/3	\$3.56

## 6137

Stainless Steel IPS Insert Drawn Stiffener ASTM D3035 SDR 9



Part No.	Size	Carton PCS/WT	Price
4131-834	3/4"	50/3	\$3.16
4131-835	1"	50/4	\$3.35
4131-836	1 1/4"	25/3	\$6.72
4131-837	1 1/2"	25/4	\$7.20
4132-949	2"	25/4	\$8.14

## 6138

Stainless Steel IPS Insert Stiffener ASTM D3035 SDR 11



Part No.	Size	Carton PCS/WT	Price
4129-067	3/4"	50/3	\$3.16
4129-068	1"	50/4	\$3.35
4129-069	1 1/4"	25/3	\$6.72
4129-070	1 1/2"	25/4	\$7.20
4129-071	2"	25/5	\$8.14

## 6132-11

Package - 6133T, 6136, 6137 & 6138

Part No.	Size	Carton PCS/WT	Price
4125-127	3/4"	1/1	\$16.00
4125-128	1"	1/1	\$17.73
4125-157	1 1/4"	1/1	\$29.56
4125-176	1 1/2"	1/1	\$28.36
4125-217	2"	1/1	\$32.48









**WITHOUT  
YOU  
THERE IS  
NO US.**



# **Meter Couplings**

January 11, 2022 - Revised July 2024



## Meter Couplings - Straight

Meter swivel nuts are less saddle, have internal straight threads per AWWA C700 and include hole for wire seal unless otherwise indicated. EPDM rubber gaskets are supplied and are standard.  
(For Meter Dimensions see page 263)

### 3/4" METER SWIVEL FITS 5/8" X 3/4" OR 3/4" METERS

#### 74620

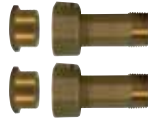
Meter Swivel x MNPT



Part No.	Size	Meter Size	Length	MNPT Outlet	Carton PCS/WT	Price
5124-109	5/8" x 1/2" x 2.38	5/8"	2 3/8"	1/2"	50/17	\$19.06
5124-065	5/8" x 3/4" x 2.19	5/8"	2 3/16"	3/4"	50/21	\$23.77
5123-098	3/4" x 1/2" x 1.63	5/8" x 3/4" or 3/4"	1 5/8"	1/2"	50/16	\$26.68
5124-093	3/4" x 1/2" x 2.38	5/8" x 3/4" or 3/4"	2 3/8"	1/2"	50/18	\$27.35
5124-094	3/4" x 1" x 2.50	5/8" x 3/4" or 3/4"	2 1/2"	1"	50/31	\$33.56
5124-080	3/4" x 3/4" x 2.00	5/8" x 3/4" or 3/4"	2"	3/4"	50/20	\$21.56
5124-077	3/4" x 3/4" x 2.25	5/8" x 3/4" or 3/4"	2 1/4"	3/4"	50/21	\$21.56
5124-110	3/4" x 3/4" x 2.50	5/8" x 3/4" or 3/4"	2 1/2"	3/4"	50/20	\$21.56
5124-078	3/4" x 3/4" x 2.75	5/8" x 3/4" or 3/4"	2 3/4"	3/4"	50/23	\$23.96
5124-079	3/4" x 3/4" x 3.00	5/8" x 3/4" or 3/4"	3"	3/4"	50/25	\$26.15
5999-011	3/4" x 3/4" x 3.28	5/8" x 3/4" or 3/4"	3 9/32"	3/4"	50/23	\$27.68
5999-010	3/4" x 3/4" x 3.50	5/8" x 3/4" or 3/4"	3 1/2"	3/4"	50/25	\$29.76
5124-076	3/4" x 3/4" x 8.50	5/8" x 3/4" or 3/4"	8 1/2"	3/4"	20/22	\$55.54
5124-068	3/4" x 3/4" x 12.00	5/8" x 3/4" or 3/4"	12"	3/4"	15/35	\$113.34
5124-111	1" x 1" x 2.63	1"	2 5/8"	1"	50/30	\$33.22
5132-438	1" x 3/4" x 1.75	1"	1 3/4"	3/4"	50/27	\$32.30
5131-485	1" x 1" x 3.00	1"	3"	1"	50/33	\$37.56
5999-012	1" x 1" x 3.35	1"	3 23/64"	1"	50/35	\$43.04
5123-144	1" x 1" x 3.50	1"	3 1/2"	1"	20/16	\$43.04
5132-350	1" x 1" x 8.50	1"	8 1/2"	1"	15/31	\$75.16
5132-349	1" x 1" x 12.00	1"	12"	1"	15/43	\$153.50
5124-103	1 1/2" x 1 1/2" x 2.84	1 1/2"	2 27/32"	1 1/2"	20/36	\$91.96
5124-104	2" x 2" x 3.00	2"	3"	2"	15/33	\$128.12

#### 74620KIT

Meter Swivel x MNPT



Part No.	Size	Meter Size	Length	MNPT Outlet	Carton PCS/WT	Price
5131-472	5/8" x 1/2" x 2.38	5/8"	2 3/8"	1/2"	25/17	\$38.09
5131-473	3/4" x 3/4" x 2.50	5/8" x 3/4" or 3/4"	2 1/2"	3/4"	25/21	\$43.13
5141-356	3/4" x 1/2" x 2.38	5/8" x 3/4" or 3/4"	2 3/8"	1/2"	25/20	\$54.68
5131-474	1" x 1" x 2.63	1"	2 5/8"	1"	25/30	\$66.44
5131-480	1 1/2" x 1 1/2" x 2.75*	1 1/2"	2 3/4"	1 1/2"	4/23	\$345.84
5131-481	2" x 2" x 3.00*	2"	3"	2"	4/29	\$490.90

\*(Two pieces per bag w/gaskets, order in bag quantities)  
Includes 2 Bushings 74620BB

#### 74620H

Meter Swivel x MNPT with Internal Driving Hex



Part No.	Size	Meter Size	Length	MNPT Outlet	Carton PCS/WT	Price
5124-183	3/4" x 1 1/2"	5/8" x 3/4" or 3/4"	1 1/2"	3/4"	50/16	\$24.53
5124-184	3/4" x 1 5/8"	5/8" x 3/4" or 3/4"	1 5/8"	3/4"	50/17	\$24.53
5124-180	3/4" x 1 7/16"	5/8" x 3/4" or 3/4"	1 7/16"	3/4"	50/18	\$21.55

#### 4620HEX

Driving Key for Internal Hex Meter Couplings



Part No.	Size	Meter Size	Length	MNPT Outlet	Carton PCS/WT	Price
4124-178	5/8" (74620H)	N/A	4"		1/1	\$14.88
4124-179	13/16" (74628H)	N/A	4"		1/1	\$17.80

#### 74622

Meter Swivel x MNPT less wire seal hole



Part No.	Size	Meter Size	Length	MNPT Outlet	Carton PCS/WT	Price
5124-115	5/8" x 1/2" x 2.38	5/8"	2 3/8"	1/2"	50/17	\$16.86
5124-116	3/4" x 3/4" x 2.50	5/8" x 3/4" or 3/4"	2 1/2"	3/4"	50/21	\$19.39
5124-117	1" x 1" x 2.63	1"	2 5/8"	1"	50/30	\$31.07

#### 74624

Meter Swivel less wire seal hole x MNPT Smooth Barrel



Part No.	Size	Meter Size	Length	MNPT Outlet	Carton PCS/WT	Price
5124-127	5/8" x 1/2" x 2.38	5/8"	2 3/8"	1/2"	50/18	\$27.22
5124-121	3/4" x 3/4" x 2.50	5/8" x 3/4" or 3/4"	2 1/2"	3/4"	50/25	\$32.01
5124-086	3/4" x 3/4" x 1.81	5/8" x 3/4" or 3/4"	1 13/16"	3/4"	50/19	\$32.01
5124-089	3/4" x 3/4" x 2.00	5/8" x 3/4" or 3/4"	2"	3/4"	50/21	\$32.01
5123-126	3/4" x 3/4" x 2.25	5/8" x 3/4" or 3/4"	2 1/4"	3/4"	50/23	\$32.01
5124-088	3/4" x 3/4" x 2.68	5/8" x 3/4" or 3/4"	2 11/16"	3/4"	50/35	\$32.01
5124-129	1" x 1" x 2.63	1"	2 5/8"	1"	50/28	\$38.21
5124-084	1" x 1" x 1.81	1"	1 13/16"	1"	50/30	\$38.21
5124-090	1" x 1" x 2.00	1"	2"	1"	50/38	\$38.21
5124-087	1" x 1" x 2.68	1"	2 1/4"	1"	50/32	\$38.21
5123-162	1" x 1" x 2.25	1"	2 1/2"	1"	50/34	\$38.21
5123-160	1" x 1" x 2.50	1"	2 11/16"	1"	50/38	\$38.21

#### 746201

Meter Couplings with Single Check Valves



Part No.	Size	Meter Size	Length	MNPT Outlet	Carton PCS/WT	Price
5125-011	5/8" x 1/2" x 2.38	5/8"	2 3/8"	1/2"	50/23	\$48.25
5125-009	3/4" x 3/4" x 2.50	5/8" x 3/4" or 3/4"	2 1/2"	3/4"	50/28	\$54.85
5125-007	1" x 1" x 2.63	1"	2 5/8"	1"	50/40	\$68.75

#### 746202

Meter Couplings with Dual Check Valves



Part No.	Size	Meter Size	Length	MNPT Outlet	Carton PCS/WT	Price
5125-012	5/8" x 1/2" x 2.38	5/8"	2 3/8"	1/2"	50/14	\$51.20
5125-010	3/4" x 3/4" x 2.50	5/8" x 3/4" or 3/4"	2 1/2"	3/4"	50/28	\$58.22
5125-008	1" x 1" x 2.63	1"	2 5/8"	1"	50/42	\$80.34



# Meter Couplings - Straight

Meter swivel nuts are less saddle, have internal straight threads per AWWA C700 and include hole for wire seal unless otherwise indicated. EPDM rubber gaskets are supplied and are standard.

(For Meter Dimensions see page 263)

## 3/4" METER SWIVEL FITS 5/8" X 3/4" OR 3/4" METERS

### 74628

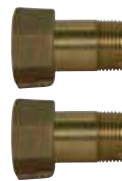
Meter Swivel x MNPT Smooth Barrel



Part No.	Size	Meter Size	Length	MNPT Outlet	Carton PCS/WT	Price
5123-127	5/8" x 1/2" x 1.25	5/8"	1 1/4"	1/2"	50/14	\$27.22
5123-124	5/8" x 1/2" x 1.50	5/8"	1 1/2"	1/2"	50/15	\$27.22
5123-152	5/8" x 1/2" x 1.75	5/8"	1 3/4"	1/2"	50/16	\$21.25
5124-182	5/8" x 1/2" x 2.00	5/8"	2"	1/2"	50/18	\$27.22
5129-064	5/8" x 1/2" x 2.17	5/8"	2 1/8"	1/2"	50/19	\$27.22
5124-128	5/8" x 1/2" x 2.38	5/8"	2 3/8"	1/2"	50/19	\$27.22
5123-129	3/4" x 3/4" x 1.25	5/8" x 3/4" or 3/4"	1 1/4"	3/4"	50/16	\$32.01
5124-137	3/4" x 3/4" x 2.00	5/8" x 3/4" or 3/4"	2"	3/4"	50/20	\$32.01
5124-122	3/4" x 3/4" x 2.50	5/8" x 3/4" or 3/4"	2 1/2"	3/4"	50/23	\$32.01
5124-153	1" x 1" x 2.00	1"	2"	1"	50/30	\$43.09
5124-130	1" x 1" x 2.63	1"	2 5/8"	1"	50/37	\$38.21

### 74628KIT

Meter Swivel x MNPT (Two pieces per bag w/gaskets, order in bag quantities) Smooth Barrel



Part No.	Size	Meter Size	Length	MNPT Outlet	Carton PCS/WT	Price
5123-128	5/8" x 1/2" x 1.25	5/8"	1 1/4"	1/2"	25/15	\$54.38
5123-130	3/4" x 3/4" x 1.25	5/8" x 3/4" or 3/4"	1 1/4"	3/4"	25/18	\$64.01

### 74628H

Meter Swivel x MNPT w/Internal Hex Drive



Part No.	Size	Meter Size	Length	MNPT Outlet	Carton PCS/WT	Price
5124-098	1" x 1" x 1.50	1"	1 1/2"	1"	50/28	\$32.30
5124-099	1" x 1" x 2.00	1"	2"	1"	50/33	\$32.30

### 74619A

MNPT x Male Meter Thread



Part No.	Size	Carton PCS/WT	Price
5159-087	3/4" x .62"	24/5	\$35.37

### 74619

Male Meter Thread x MNPT



Part No.	Size	Length	Carton PCS/WT	Price
5148-141	5/8" x 3/4"	1 15/16"	25/7	\$28.84
5159-110	5/8" x 1/2"	1 13/16"	25/8	\$28.84
5148-140	3/4" x 3/4"	1 15/16"	25/9	\$21.62
5159-114	3/4" x 1" x 2.18	2 3/16"	25/9	\$57.49
5159-098	3/4" x 3/4" x 2.43	2 7/16"	25/9	\$53.61
5148-142	1" x 1"	2 17/64"	25/12	\$29.66
5148-219	1" x 1 1/4" x 2.12	2 1/8"	25/13	\$53.10
5123-000	1 1/2" x 1 1/2"	2 3/64"	20/20	\$56.68
5123-001	2" x 2"	2 61/64"	10/19	\$101.49

### 74619F

FNPT x Male Meter Thread



Part No.	Size	Length	Carton PCS/WT	Price
5123-003	3/4"	1 5/8"	25/10	\$25.92
5159-129	1"	1 3/8"	25/10	\$29.66

### 74620BB

Male Meter Thread x FNPT



Part No.	Size	Length	Carton PCS/WT	Price
5124-092	1 1/2" x 1 1/2"	1 17/32"	25/25	\$74.03
5124-091	2" x 2"	1 47/64"	25/36	\$117.31

### 74620MM

Meter Swivel x Meter Swivel



Part No.	Size	Length	Carton PCS/WT	Price
5132-437	3/4" x 3/4" x 2.20	2 13/64"	25/22	\$34.98

### 74620TUB Copper Tube Flange

Meter Swivel x Male Pipe Thread



Part No.	Size	Length	Carton PCS/WT	Price
5123-147	3/4" x 3/4" x 4.00	4"	25/13	\$52.01
5123-150	3/4" x 3/4" x 12.50	12 1/2"	25/25	\$94.56
5123-158	3/4" x 1" x 12.00	12"	25/25	\$105.92
5123-151	1" x 1" x 10.00	10"	25/38	\$117.24



## Meter Couplings - Straight

Meter swivel nuts are less saddle, have internal straight threads per AWWA C700, and include hole for wire seal unless otherwise indicated. EPDM rubber gaskets are supplied and are standard. (For Meter Dimensions see page 263)

- Insert stiffeners are required on all flexible plastic connections, see the Service Fittings section for more information.

### 3/4" METER SWIVEL FITS 5/8" X 3/4" OR 3/4" METERS

#### 74636

Meter Swivel x Male Meter Thread



Part No.	Size	Carton PCS/WT	Price
5127-353	3/4" x 1"	25/17	\$59.91

#### 74637

Meter Swivel x FNPT



Part No.	Size	Carton PCS/WT	Price
5125-019	5/8" x 3/4"	50/27	\$23.36
5124-131	3/4" x 3/4"	50/29	\$31.63
5125-003	3/4" x 1"	50/35	\$35.47
5124-200	1" x 1"	50/38	\$45.58
5125-004	1" x 1 1/4"	25/34	\$55.72

#### 74638

Meter Swivel x Flare



Part No.	Size	Carton PCS/WT	Price
5124-014	3/4" x 3/4"	40/36	\$37.93
5124-017	1" x 1"	25/33	\$63.71

#### 74638-22

Meter Swivel x -22 CTS



Part No.	Size	Carton PCS/WT	Price
5119-145	5/8" x 1/2"	50/31	\$37.82
5119-150	5/8" x 3/4"	40/33	\$39.13
5125-064	3/4" x 1/2"	40/33	\$42.17
5124-016	3/4" x 3/4"	50/40	\$41.37
5124-048	3/4" x 1"	25/24	\$44.59
5131-372	3/4" x 1 1/4"	25/38	\$50.57
5124-019	1" x 1"	25/29	\$55.75
5131-374	1" x 1 1/4"	20/34	\$87.92

### OPTIONS

See page 9 for pricing of the following:

- For Handyloc - Replace "Q" with "H" or "-3Q" with "-3H" in 3/4" & 1" **only**.
- For C903 tube - Replace "Q" with "K". On "Q" Series options only 3/4" & 1" **only**.
- For valve or fitting less flare nut add "L" to end of model number.
- CTS Anode (QA) & Flare Anode (A) - Replace "Q" with "QA" or add "A" to flare.
- Insert stiffeners are **required** on all flexible plastic connections. (See page 10 for stiffeners)

#### 74638G

Meter Swivel x G CTS



Part No.	Size	Carton PCS/WT	Price
	5/8" x 3/4"	50/47	\$39.13
5192-215	3/4" x 3/4"	40/38	\$41.37
5192-294	3/4" x 1"	25/38	\$44.59
	3/4" x 1 1/4"	25/35	\$50.56
5192-330	1" x 1"	25/43	\$55.75
	1" x 1 1/4"	25/43	\$87.92

#### 74638Q

Meter Swivel x Q CTS



Part No.	Size	Carton PCS/WT	Price
5183-363	5/8" x 3/4"	40/35	\$39.13
5182-017	3/4" x 3/4"	40/35	\$41.37
5182-419	3/4" x 1"	25/27	\$44.59
5131-376	3/4" x 1 1/4"	20/34	\$50.57
5142-224	1" x 1"	25/34	\$55.75
5131-377	1" x 1 1/4"	20/38	\$87.92

#### 74638T

Meter Swivel x T CTS



Part No.	Size	Carton PCS/WT	Price
	5/8" x 3/4"	50/40	\$39.13
5124-015	3/4" x 3/4"	40/32	\$41.37
5124-047	3/4" x 1"	25/38	\$44.59
5131-373	3/4" x 1 1/4"	25/29	\$50.57
5124-018	1" x 1"	25/43	\$55.75
5131-375	1" x 1 1/4"	20/34	\$87.92

#### 74638-33

Meter Swivel x -33 PEP-7



Part No.	Size	Carton PCS/WT	Price
5142-217	3/4" x 3/4"	25/25	\$49.90
5131-366	3/4" x 1"	25/39	\$53.82
5131-369	1" x 1"	20/35	\$82.67

#### 74638-34

Meter Swivel x -34 PEP-9



Part No.	Size	Carton PCS/WT	Price
	3/4" x 3/4"	25/25	\$49.90
	3/4" x 1"	25/39	\$53.80
	1" x 1"	20/35	\$82.67

#### 74638-3G

Meter Swivel x -3G PEP-7



Part No.	Size	Carton PCS/WT	Price
5192-483	3/4" x 3/4"	25/25	\$49.90
	3/4" x 1"	25/39	\$53.80
	1" x 1"	25/44	\$82.67

#### 74638-3Q

Meter Swivel x -3Q PEP-7



Part No.	Size	Carton PCS/WT	Price
5182-420	3/4" x 3/4"	25/27	\$49.90
5131-378	3/4" x 1"	25/38	\$53.82
5131-379	1" x 1"	20/34	\$82.67

#### 74638-44

Meter Swivel x -44 PVC



Part No.	Size	Carton PCS/WT	Price
5142-218	3/4" x 3/4"	25/24	\$49.90
5131-367	3/4" x 1"	20/33	\$53.82
5131-370	1" x 1"	20/33	\$84.06

#### 74638-55

Meter Swivel x -55 IP



Part No.	Size	Carton PCS/WT	Price
5142-260	3/4" x 3/4"	25/23	\$46.80
5131-368	3/4" x 1"	20/32	\$53.82
5131-371	1" x 1"	20/35	\$84.06





# Meter Couplings - Elbow - Quarter Bend - Ninety

Meter swivel nuts are less saddle, have internal straight threads per AWWA C700, and include hole for wire seal unless otherwise indicated. EPDM rubber gaskets are supplied and are standard.

- Insert stiffeners are required on all flexible plastic connections, see the Service Fittings section for more information.

## 3/4" METER SWIVEL FITS 5/8" X 3/4" OR 3/4" METERS

### 74621

Meter Swivel x MNPT



Part No.	Size	Carton PCS/WT	Price
5124-112	5/8" x 1/2"	50/23	\$31.77
5122-121	5/8" x 3/4"	50/33	\$31.73
5124-113	3/4" x 3/4"	50/27	\$31.67
5121-064	3/4" x 1/2"	50/28	\$32.57
5122-078	3/4" x 1"	20/15	\$36.89
5124-114	1" x 1"	40/36	\$45.28

### 74623

Meter Swivel x MNPT less wire seal hole



Part No.	Size	Carton PCS/WT	Price
5124-118	5/8" x 1/2"	50/24	\$33.28
5124-119	3/4" x 3/4"	50/26	\$29.55
5124-120	1" x 1"	50/45	\$41.03

### 74632

Meter Swivel x FNPT



Part No.	Size	Carton PCS/WT	Price
5124-073	5/8" x 3/4"	25/21	\$30.35
5124-139	3/4" x 3/4"	25/18	\$37.42
5125-002	3/4" x 1"	25/25	\$43.47
5125-001	1" x 1"	25/30	\$55.45

### 74621KIT

Meter Swivel x MNPT (Two pieces per bag w/Rubber Gaskets) (Order in carton quantities)



Part No.	Size	Carton PCS/WT	Price
5123-164	5/8" x 1/2"	25/23	\$63.54
5123-161	3/4" x 3/4"	25/26	\$63.37
5123-163	1" x 1"	25/22	\$90.55

# Meter Couplings - Elbow - Eighth Bend - Forty-Five

## 3/4" METER SWIVEL FITS 5/8", 5/8" X 3/4" OR 3/4" METERS

Meter swivel nuts are less saddle, have internal straight threads per AWWA C700, and include hole for wire seal unless otherwise indicated. EPDM rubber gaskets are supplied and are standard.

- Insert stiffeners are required on all flexible plastic connections, see the Service Fittings section for more information.

### 74745S

Meter Swivel x Flare



Part No.	Size	Carton PCS/WT	Price
5123-030	5/8" x 3/4"	25/23	\$34.93
5123-038	3/4" x 3/4"	25/26	\$42.82
5122-201	3/4" x 1"	20/25	\$55.99
5123-016	1" x 1"	20/24	\$66.17

### 74745S-22

Meter Swivel x -22 CTS



Part No.	Size	Carton PCS/WT	Price
5141-427	5/8" x 3/4"	25/20	\$39.75
5125-132	3/4" x 3/4"	25/23	\$45.44
	3/4" x 1"	20/24	\$76.06
	1" x 1"	20/27	\$78.71

### 74745SQ

Meter Swivel x Q CTS



Part No.	Size	Carton PCS/WT	Price
5123-036	5/8" x 3/4"	25/13	\$39.75
5123-041	3/4" x 3/4"	25/24	\$45.44
5183-442	3/4" x 1"	20/26	\$76.06
5123-022	1" x 1"	20/27	\$78.72

### 74745SF

Meter Swivel x FNPT



Part No.	Size	Carton PCS/WT	Price
5123-032	5/8" x 3/4"	25/2	\$28.84
5123-039	3/4" x 3/4"	25/19	\$52.76
5183-449	3/4" x 1"	20/20	\$43.50
5123-018	1" x 1"	20/18	\$53.44

### 74745SG

Meter Swivel x G CTS



Part No.	Size	Carton PCS/WT	Price
	5/8" x 3/4"	25/13	\$39.74
	3/4" x 3/4"	25/24	\$45.44
	3/4" x 1"	20/24	\$76.06
	1" x 1"	20/27	\$78.71

### 74745ST

Meter Swivel x T CTS



Part No.	Size	Carton PCS/WT	Price
	5/8" x 3/4"	25/13	\$39.74
5119-181	3/4" x 3/4"	25/24	\$45.44
	3/4" x 1"	20/24	\$76.06
	1" x 1"	20/27	\$78.71

### 74745SP

Meter Swivel x MNPT



Part No.	Size	Carton PCS/WT	Price
5123-034	5/8" x 3/4"	25/13	\$28.45
5123-040	3/4" x 3/4"	25/16	\$52.38
5123-020	1" x 1"	20/24	\$53.07

#### OPTIONS

See page 9 for pricing of the following:

- For Handyloc - Replace "Q" with "H" or "-3Q" with "-3H" in 3/4" & 1" only.
- For C903 tube - Replace "Q" with "K". On "Q" Series options only 3/4" & 1" only.
- For valve or fitting less flare nut add "L" to end of model number.
- CTS Anode (QA) & Flare Anode (A) - Replace "Q" with "QA" or add "A" to flare.
- Insert stiffeners are **required** on all flexible plastic connections. (See page 10 for stiffeners)

### 74745S-3Q

Meter Swivel x 3Q PEP-7



Part No.	Size	Carton PCS/WT	Price
5183-443	3/4"	20/26	\$54.61





## Meter Couplings - Elbow - Quarter Bend - Ninety

Meter swivel nuts are less saddle, have internal straight threads per AWWA C700, and include hole for wire seal unless otherwise indicated. EPDM rubber gaskets are supplied and are standard.

- Insert stiffeners are required on all flexible plastic connections, see the Service Fittings section for more information.

### 3/4" METER SWIVEL FITS 5/8" X 3/4" OR 3/4" METERS

#### 74783S

Meter Swivel x Flare



Part No.	Size	Carton PCS/WT	Price
5120-155	5/8" x 3/4"	25/28	\$36.43
5120-189	3/4" x 3/4"	25/30	\$44.27
	3/4" x 1"	25/33	\$55.92
5121-189	1" x 1"	20/32	\$67.60

#### 74783SQ

Meter Swivel x Q CTS



Part No.	Size	Carton PCS/WT	Price
5183-439	5/8" x 3/4"	25/24	\$41.31
5182-020	3/4" x 3/4"	25/27	\$47.00
5182-376	3/4" x 1"	25/34	\$73.89
5122-062	1" x 1"	25/38	\$80.15

#### 74783S-3G

Meter Swivel x -3G PEP-7



Part No.	Size	Carton PCS/WT	Price
	3/4" x 3/4"	25/34	\$54.60
	3/4" x 1"	20/42	\$95.96

#### 74783S-22

Meter Swivel x -22 CTS



Part No.	Size	Carton PCS/WT	Price
5120-003	5/8" x 3/4"	25/23	\$41.31
5120-156	3/4" x 3/4"	25/25	\$47.00
5132-435	3/4" x 1"	25/33	\$54.61
5121-014	1" x 1"	25/35	\$74.39

#### 74783ST

Meter Swivel x T CTS



Part No.	Size	Carton PCS/WT	Price
5120-001	5/8" x 3/4"	25/25	\$41.31
5120-002	3/4" x 3/4"	25/27	\$47.00
5132-436	3/4" x 1"	25/34	\$73.89
5121-013	1" x 1"	25/38	\$74.39

#### 74783S-3Q

Meter Swivel x -3Q PEP-7



Part No.	Size	Carton PCS/WT	Price
5183-384	3/4" x 3/4"	25/34	\$54.61
5182-315	3/4" x 1"	16/34	\$95.97

#### 74783SG

Meter Swivel x G CTS



Part No.	Size	Carton PCS/WT	Price
5192-355	5/8" x 3/4"	25/27	\$41.31
5192-280	3/4" x 3/4"	25/29	\$47.00
	3/4" x 1"	25/33	\$54.60
5192-378	1" x 1"	25/40	\$74.39

#### 74783S-33

Meter Swivel x -33 PEP-7



Part No.	Size	Carton PCS/WT	Price
5146-324	3/4" x 3/4"	25/34	\$54.60
5120-041	3/4" x 1"	16/34	\$95.97

#### 74783S-44

Meter Swivel x -44 PVC



Part No.	Size	Carton PCS/WT	Price
5119-161	3/4" x 3/4"	25/32	\$54.61
	3/4" x 1"	20/42	\$95.96

#### 74783S-34

Meter Swivel x -34 PEP-9



Part No.	Size	Carton PCS/WT	Price
	3/4" x 3/4"	25/34	\$54.60
	3/4" x 1"	20/42	\$95.96

#### 74783S-55

Meter Swivel x -55 IP



Part No.	Size	Carton PCS/WT	Price
	3/4" x 3/4"	25/32	\$54.60
	3/4" x 1"	20/42	\$95.96

### OPTIONS

See page 9 for pricing of the following:

- For Handyloc - Replace "Q" with "H" or "-3Q" with "-3H" in 3/4" & 1" **only**.
- For C903 tube - Replace "Q" with "K". On "Q" Series options only 3/4" & 1" **only**.
- For valve or fitting less flare nut add "L" to end of model number.
- CTS Anode (QA) & Flare Anode (A) - Replace "Q" with "QA" or add "A" to flare.
- Insert stiffeners are **required** on all flexible plastic connections. (See page 10 for stiffeners)



## Oval Meter Flange

1 1/2" & 2" METERS

EPDM rubber gaskets are supplied and are standard. Oval meter flanges are faced and drilled per AWWA C700. All 7610 model oval flanges in 2" have bolt holes for 2" meter only unless otherwise indicated.

- Insert stiffeners are required on all flexible plastic connections, see page 10 for stiffeners.
- Stainless steel meter support brackets not included.
- Bolt hole diameters on 1 1/2" oval flange = .72, 2" oval flange = .81.

### 7610F

Meter Flange x FNPT



Part No.	Size	Carton PCS/AWT	Price
5133-124	1 1/2"	10/20	\$96.01
5131-362	1 1/2" x .81"*	10/20	\$96.01
5129-092	1 1/2" x 1"	10/18	\$106.69
5133-125	2"	10/26	\$125.36

\*Denotes bolt hole diameter



### 7610FKIT

Meter Flange Kit, Includes 2 each of flanges, gaskets, 4 bolts & 4 nuts

Part No.	Size	Carton PCS/AWT	Price
5131-083	1 1/2"	1/6	\$213.24
5131-084	2"	1/7	\$271.94



### 7610FSSKIT

Meter Flange Kit, Includes 2 each of flanges, gaskets, 4 stainless steel bolts & 4 stainless steel nuts

Part No.	Size	Carton PCS/AWT	Price
5138-037	1 1/2"	1/6	\$224.42
5138-038	2"	1/7	\$283.12

### 7610FD

Meter Flange x FNPT

Slotted for 1 1/2" or 2" Meters



Part No.	Size	Carton PCS/AWT	Price
5131-071	2"	10/25	\$125.36

### 7610-22

Meter Flange x -22 CTS



Part No.	Size	Carton PCS/AWT	Price
5131-288	1 1/2"	5/21	\$172.76
5131-291	2"	5/27	\$211.87

- 6121NB** - 5/8" x 2.50 hex bolt and nut, zinc plated - 2 each per bag for 4131-079 1 1/2" and 2" oval flange assembly..... \$10.61  
**6121SSNB** - 5/8" x 2.50 hex bolt and nut, stainless steel - 2 each per bag for 4141-466 for 1 1/2" and 2" oval flange assembly. \$16.20

**OPTIONS** (see page 9 for pricing of the following)

- "Q" compression nuts are available with anode connection; add "A" to end of model number, i.e. (7610Q=7610QA).
- Dual bolt holes are available; contact factory.

### 7610G

Meter Flange x G CTS



Part No.	Size	Carton PCS/AWT	Price
5192-277	1 1/2"	5/20	\$172.76
	2"	5/26	\$211.87

### 7610Q

Meter Flange x Q CTS



Part No.	Size	Carton PCS/AWT	Price
5131-289	1 1/2"	5/20	\$172.76
5131-292	2"	5/25	\$211.87

### 7610T

Meter Flange x T CTS

Part No.	Size	Carton PCS/AWT	Price
5131-290	1 1/2"	5/19	\$172.76
5131-293	2"	5/24	\$211.87

### 7610-44

Meter Flange x -44 PVC



Part No.	Size	Carton PCS/AWT	Price
5131-295	1 1/2"	5/21	\$181.08
5131-298	2"	5/30	\$258.66

### 7610-55

Meter Flange x -55 IP

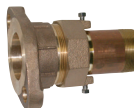


Part No.	Size	Carton PCS/AWT	Price
5131-294	1 1/2"	5/19	\$177.93
5131-363	1 1/2" x .81*	5/20	\$177.93
5131-297	2"	5/29	\$230.19

\*Denotes bolt hole diameter

### 7610A-55

Collapsible Meter Flange Coupling x MNPT



Part No.	Size	Carton PCS/AWT	Price
5134-071	1 1/2"	1/6	\$249.79
5134-070	2"	1/8	\$299.58

### 7610FFFGKIT

Meter Flange x FNPT

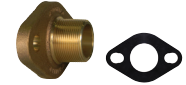


Includes 2 each of flanges, gaskets, 4 bolts & 4 nuts

Part No.	Size	Carton PCS/AWT	Price
5141-437	1 1/2"	1/6	\$212.16
5142-498	2"	1/7	\$270.86

### 7610MFFGKIT

Meter Flange x MNPT



Includes 2 each of flanges, gaskets, 4 bolts & 4 nuts

Part No.	Size	Carton PCS/AWT	Price
5138-046	2" x 1 15/16"	1/8	\$272.08

### 7E610FD

Adjustable Meter Flange x FNPT

Slotted for 1 1/2" x 2" Meters

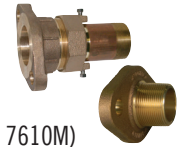


Part No.	Size	Carton PCS/AWT	Price
5427-186	2"	1/6	\$181.14

### 7610AKIT-55

Collapsible Meter Flange

Coupling x MNPT (includes 7610M)



Part No.	Size	Carton PCS/AWT	Price
5131-296	1 1/2"	1/8	\$353.49
5131-299	2"	1/11	\$437.92

### 7610M

Meter Flange x MNPT



Part No.	Size	Carton PCS/AWT	Price
5133-246	1 1/2"	8/19	\$103.72
5133-249	2" x 1 15/16"*	8/23	\$125.97
5133-248	2" x 2 1/8"*	8/24	\$138.33

\*Denotes length

### 7610MD

Meter Flange x MNPT

Slotted for 1 1/2" or 2" meters



Part No.	Size	Carton PCS/AWT	Price
5131-072	2" x 1 15/16"*	8/22	\$125.97
5131-073	2" x 2 1/8"*	8/23	\$138.33

\*Denotes length

### 7610S

Meter Flange x Solder



Part No.	Size	Carton PCS/AWT	Price
5133-245	1 1/2"	8/19	\$96.01
5133-247	2"	8/22	\$125.36

### 7610SD

Meter Flange x Solder

Slotted for 1 1/2" or 2" Meters



Part No.	Size	Carton PCS/AWT	Price
5131-074	2"	8/21	\$125.36



## Round Flanges - 3", 4" & 6" Meters

- EPDM rubber gaskets are supplied and are standard.
- Oval meter flanges are faced and drilled per AWWA C700.

### 610BK

Zinc Plated Bolt Kit



Part No.	Size	Carton PCS/WT	Price
4131-453	3 (4) 5/8" x 2 1/2" Bolts	1/2	\$22.05
4131-454	4 (8) 5/8" x 3" Bolts	1/4	\$43.01
4131-455	6 (8) 5/8" x 3 1/2" Bolts	1/6	\$76.55

### 610RG

Gasket - Round Flange



Part No.	Size	Carton PCS/WT	Price
4131-450	3 - 4 Bolt Holes	10/3	\$39.77
4131-451	4 - 8 Bolt Holes	10/5	\$59.17
4131-452	6 - 8 Bolt Holes	10/6	\$117.34

### 7610RK

Flange Kit (2 Flanges, Gaskets, Bolts)



Part No.	Size	Carton PCS/WT	Price
5131-447	3 - 4 Bolt Holes Per Flange	1/22	\$536.87
5131-448	4 - 8 Bolt Holes Per Flange	1/35	\$857.77
5131-449	6 - 8 Bolt Holes Per Flange	1/51	\$1,791.06

### 7610R

Flange - Round Brass



Part No.	Size	Carton PCS/WT	Price
5131-443	3 - 4 Bolt Holes	4/37	\$251.05
5131-444	4 - 8 Bolt Holes	3/42	\$394.09
5131-445	6 - 8 Bolt Holes	2/41	\$826.06

### 7611-44

Meter Coupling -44 PVC x MNPT w/Gasket for FNPT Meters



Part No.	Size	Carton PCS/WT	Price
5125-197	1 1/2"	10/25	\$137.16
5124-082	2"	10/36	\$199.58

### 7611-55

Meter Coupling -55 IP x MNPT w/Gasket for FNPT Meters



Part No.	Size	Carton PCS/WT	Price
5125-196	1 1/2"	10/23	\$137.16
5124-081	2"	10/35	\$199.58

### 611GSKT

Round Rubber Gasket



Part No.	Size	Carton PCS/WT	Price
4122-105	2"	10/1	\$29.39

## Meter Test Tee

Test 1 1/2" and 2" meters while in line

- For new installations or for retrofitting existing installations
- Completely assembled



Dual Hole

### 720-HNN

Tee Oval Flange x MNPT x MNPT

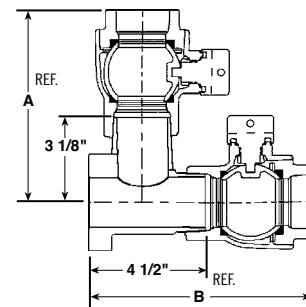
Part No.	Size	Carton PCS/WT	Price
5136-482	2"	4/20	\$311.63

### 720-HT

Tee Assembly with 2 76101 Ball Valves

Part No.	Size	Carton PCS/WT	Price
5136-471	2"	1/19	\$1,287.19

- Valves available with or without lockwings.
- 6120B handles are optional.
- Other end connections available, contact factory.



SIZE	A	B
2"	7 13/16"	9 1/16"



# Oval Flanged - Quarter Bend - Ninety

Stainless steel meter support brackets furnished with all oval flanged meter valves. Oval meter flanges are faced and drilled per AWWA C700. EPDM rubber gaskets are supplied and are standard.

- Insert stiffeners are required on all flexible plastic connections, see page 10 for stiffeners.
- Bolt hole diameters on 1 1/2" oval flange = .72, 2" oval flange = .81.
- 2" oval flanged meter valves have slotted bolt holes to accept 1 1/2" or 2" meters.

## 74783FF

- FNPT x Oval Flange



Part No.	Size	Carton PCS/WT	Price
5149-300	1 1/2"	4/14	\$176.03
5149-281	2"	4/20	\$259.86

## 74783FG

G CTS x Oval Flange



Part No.	Size	Carton PCS/WT	Price
	1 1/2"	4/17	\$230.97
	2"	4/23	\$311.91

## 74783FT

T CTS x Oval Flange



Part No.	Size	Carton PCS/WT	Price
5149-301	1 1/2"	4/17	\$230.97
5149-278	2"	4/20	\$311.91

## 74783F

Flare x Oval Flange



Part No.	Size	Carton PCS/WT	Price
5149-277	2"	1/8	\$422.41

## 74783FQ

Q CTS x Oval Flange



Part No.	Size	Carton PCS/WT	Price
5182-103	1 1/2"	4/17	\$230.97
5182-093	2"	4/23	\$311.91

## 74783F-44

-44 PVC x Oval Flange



Part No.	Size	Carton PCS/WT	Price
5149-280	2"	1/8	\$314.98

## 74783F-22

-22 CTS x Oval Flange



Part No.	Size	Carton PCS/WT	Price
5149-302	1 1/2"	4/18	\$230.90
5149-279	2"	4/23	\$311.91

### OPTIONS

See page 9 for pricing of the following:

- Product available marked for Reclaimed Water, denote at end of model number; "RWP" (pinned stamped) i.e. (74783FRW).
- Flared ends are available less flare nut; add "L" to end of model number, i.e. (74783F = 74783FL).
- Flare nuts available with anode connection; add "A" to end of model number, i.e. (74783F = 74783FA).
- "Q" compression nuts are available with anode connection; add "A" to end of model number, i.e. (74783FQ = 74783FQA).



## Accessories

### BALL VALVE HANDLES / METER SUPPORT BRACKET

#### 6120

Stainless Steel Handle  
For all McDonald Ball Valves  
Order by valve size: 5/8", 3/4", & 1"



Part No.	Size	Carton PCS/WT	Price
4129-200	5/8" - 3.25 Long	25/2	\$8.87
4129-148	3/4" & 1" - 4.25 Long	25/3	\$9.82

#### 6120D

Stainless Steel w/Hole - 4 1/4" Long  
For all McDonald Ball Valves  
Order by valve size: 5/8", 3/4", & 1"



Part No.	Size	Carton PCS/WT	Price
4129-000	3/4" & 1"	25/3	\$12.29

#### 6120B

Brass Ball Valve Handle  
For all McDonald Ball Valves  
Order by valve size: 5/8", 3/4", & 1"



Part No.	Size	Carton PCS/WT	Price
4129-025	5/8" - 3 3/8" Long	25/6	\$8.87
4129-026	3/4" & 1" - 4 3/8" Long	25/7	\$9.82

Fits 5/8", 3/4", & 1" valves

#### 6120BS

Brass Ball Valve Handle - Short 4 3/8 Long  
For all McDonald Ball Valves  
Order by valve size: 1 1/2" & 2"



Part No.	Size	Carton PCS/WT	Price
4129-028	1 1/2" & 2" - 4 3/8" Long	25/7	\$23.37

#### 6120BRW

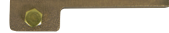
Brass Handle - Reclaimed Water 4 3/8 Long  
Order by valve size: 3/4" & 1"



Part No.	Size	Carton PCS/WT	Price
4129-031	3/4" & 1" - 4 3/8" Long	25/7	\$14.46

#### 6120BSRW

Brass Handle - Reclaimed Water Short 4 3/8 Long  
Order by valve size: 1 1/2" & 2"



Part No.	Size	Carton PCS/WT	Price
4131-319	1 1/2" & 2" - 4 3/8" Long	25/7	\$28.02

#### 6120BRWPP

Brass Handle - Reclaimed Water Short 4 3/8 Long - Painted Purple  
Order by valve size: 3/4" & 1"



Part No.	Size	Carton PCS/WT	Price
4128-060	3/4" & 1" - 4 3/8" Long	25/7	\$17.64

#### 6120BSRWPP

Brass Handle - Reclaimed Water Short 4 3/8 Long - Painted Purple  
Order by valve size: 1 1/2" & 2"



Part No.	Size	Carton PCS/WT	Price
4125-020	1 1/2" & 2"	25/7	\$34.16

#### 6122

Square Head 2" Wrench Adapt with Cotter Pin



Part No.	Size	Carton PCS/WT	Price
4132-186	2"	25/27	\$31.81

#### 6121

Flanged Meter Support Bracket



Part No.	Size	Carton PCS/WT	Price
4131-076	1 1/2" & 2"	10/1	\$14.67



Flange Meter Support Bracket

Comes standard with every flanged valve.



FH Fixed Handle

To order add "FH" to model number  
Example: 76101MFH

Must be assembled by factory. Available on all 3/4", 1", 1 1/2", and 2" non-lockwing ball valves

## Gaskets

Part No.	MODEL	DESCRIPTION	THICKNESS	METER SIZE	LIST PRICE
4124-049	18-G1	Rubber	1/8"	5/8"	\$0.45
4124-059	18-G1F	Fiber	1/16"	5/8"	\$1.75
4124-056	18-G1L	Waxed Leather	1/8"	5/8"	\$1.05
4124-050	18-G2	Rubber	1/8"	5/8" x 3/4" or 3/4"	\$0.57
4124-060	18-G2F	Fiber	1/16"	5/8" x 3/4" or 3/4"	\$1.86
4124-057	18-G2L	Waxed Leather	1/8"	5/8" x 3/4" or 3/4"	\$1.01
4124-051	18-G4	Rubber	1/8"	1"	\$0.60
4124-061	18-G4F	Fiber	1/16"	1"	\$2.59
4124-058	18-G4L	Waxed Leather	1/8"	1"	\$1.13
4124-054	4620G	Round-Rubber	1/8"	1 1/2"	\$4.40
4124-055	4620G	Round-Rubber	1/8"	2"	\$5.00

Part No.	MODEL	DESCRIPTION	THICKNESS	METER SIZE	LIST PRICE
4124-052	18-G6	Flange-Rubber	1/8"	1 1/2"	\$4.92
4124-053	18-G7	Flange-Rubber	1/8"	2"	\$5.58

Part No.	MODEL	DESCRIPTION	THICKNESS	METER SIZE	LIST PRICE
4070-000	18-GFF6	Full Face Flange Rubber	1/8"	1 1/2"	\$4.40
4070-001	18-GFF7	Full Face Flange Rubber	1/8"	2"	\$5.04

Drop in flange gaskets furnished.



2" Meter Flanges have slotted bolt holes to fit 1 1/2" or 2" meters.




Meter support brackets furnished.








## Meter Bushings






Changes thread size only






-  **10J12** - Converts 5/8" meter spud to 5/8" x 3/4" meter spud  
4137-097 - one bushing, .50 long ..... \$7.41
- 10J12KIT** - Converts 5/8" meter spud to 5/8" x 3/4" meter spud  
4137-282 - two pieces per bag, .50 long ..... \$14.82
- 10J12 x .75** - Converts 5/8" meter spud to 5/8" x 3/4" meter spud  
4138-028 - one bushing, .75 long ..... \$9.32

-  **10J12KIT x .75** - Converts 5/8" meter spud to 5/8" x 3/4" meter  
4138-029 spud - two pieces per bag, .75 long ..... \$18.63
-  **10J34B** - Converts 3/4" meter spud to 1" meter spud  
4137-296 - one bushing ..... \$22.16
-  **10J45** - Converts 1" meter spud to 1 1/4" meter spud -  
4137-096 one bushing ..... \$13.40

## Meter Adapters

Converts meter size and laying length

-  **710J13** - Converts 5/8" meter to 3/4" meter - two pieces  
5137-247 required per meter ..... \$18.07
- 710J13KIT** - Converts 5/8" meter to 3/4" meter - two pieces  
5137-283 per kit ..... \$36.13
-  **710J14** - Converts 5/8" meter to 1" meter - two pieces  
5137-014 required per meter ..... \$22.59
- 710J14SG** - Converts 5/8" meter to 1" meter - two pieces  
5137-295 required per meter w/ soft gasket ..... \$22.59
- 710J14KIT** - Converts 5/8" meter to 1" meter - two pieces  
5137-284 per kit ..... \$45.15
-  **710J23** - Converts 5/8" x 3/4" meter to 3/4" meter - one  
5137-187 piece required per meter ..... \$22.95
- 710J23KIT** - Converts 5/8" x 3/4" meter to 3/4" meter - one  
5138-018 piece required per meter ..... \$22.95
- 710J23SGKIT**  
5138-030 - Converts 5/8" x 3/4" meter to 3/4" meter - one  
piece required per meter w/ soft gasket. \$22.95
-  **710J24** - Converts 5/8" x 3/4" meter to 1" meter - two  
5137-099 pieces required per meter ..... \$27.60
- 710J24KIT** - Converts 5/8" x 3/4" meter to 1" meter - two  
5137-285 pieces per kit ..... \$55.18
- 710J24SG** - Converts 5/8" x 3/4" meter to 1" meter w/  
5137-032 soft gasket - two pieces per kit ..... \$27.60
- 710J24SGKIT**  
5137-040 - Converts 5/8" x 3/4" meter to 1" meter w/ soft  
gasket - two pieces required per meter. \$55.18
-  **710J34** - Converts 3/4" meter to 1" meter - two pieces  
5137-098 required per meter ..... \$21.19
- 710J34KIT** - Converts 3/4" meter to 1" meter - two pieces  
5137-286 per kit ..... \$42.37
- 710J34SG** - Converts 3/4" meter to 1" meter w/ soft  
5137-031 gasket - two pieces required per meter. \$21.19
- 710J44** - Extends 1" male meter threads by 1.75. \$32.69  
5137-279
- 710J44DCA** - 1" Meter adapter 3.88" long ..... \$117.24  
5137-038

-  **710J46** - Converts 1" meter to 1 1/2" flanged meter size  
5137-244 and length - two pieces required per meter  
..... \$160.17
- 710J46KIT** - Converts 1" meter to 1 1/2" flanged meter size  
5137-287 and length - two pieces per kit ..... \$320.31
- 710J47 10.75 x 15.25**  
5137-039 - Converts 1" meter to 2" flanged meter size (15.25" long) and  
length two pieces required per meter... \$163.91
- 710J47** - Converts 1" meter to 2" flanged meter size (17" long) and  
5137-245 length two pieces required per meter... \$163.91
- 710J47D** - Converts 1" meter to 2" flanged meter size (17" long) and  
5137-291 length two pieces required per meter  
Dual hole for 1 1/2" & 2" meters ..... \$163.91
- 710J47KIT** - Converts 1" meter to 2" flanged meter size (17" long) and  
5137-288 length two pieces per kit ..... \$327.84
-  **710J67** - Converts 1 1/2" meter to 2" flanged meter size (17" long) and  
5137-246 length - two pieces required per meter, two bolts & 1 1/2"  
meter gasket included ..... \$216.84
- 710J67KIT** - Converts 1 1/2" meter to 2" flanged meter size (17" long)  
5137-289 and length - two pieces per kit - four bolts & 1 1/2"  
meter gasket included ..... \$433.66
-  **710J67DH** - Converts 1 1/2" meter to 2" flanged meter size (17" long)  
5137-020 and length - two pieces required per meter  
Slotted holes for 1 1/2" or 2" meters, w/meter gaskets -  
does not include bolts and nuts ..... \$216.84
-  **710J67DH x2**  
5137-256 - Converts 1 1/2" meter to 2" flanged meter size (17" long) and  
length -two piece, required per meter. Slotted holes  
for 1 1/2" or 2" meters w/2" gasket - 2" bore does  
not include bolts and nuts. .... \$216.84
-  **710J77DHX2 X1.75**  
5137-274 - Converts 2" x 15.25" flanged meter to 2" x 17"  
flanged meter size and length -one piece required  
per meter. Slotted holes for 1 1/2" or 2" meters - does  
not include bolts and nuts w/2" bore... \$216.84
- 6121NB** - 5/8" x 2.50 hex bolt and nut, zinc plated - 2 each per bag for  
4131-079 1 1/2" and 2" oval flange assembly ..... \$10.61
- 6121SSNB** - 5/8" x 2.50 hex bolt and nut, stainless steel - 2 each per bag  
4141-466 for 1 1/2" and 2" oval flange assembly. \$16.20

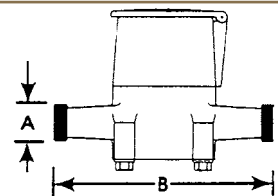
Meter Couplings

Above meter adapters include Hard Gaskets to preserve meter lengths. Oval meter flanges include drop in type gaskets.  
\*Soft Gaskets are available contact the factory.  
- Full face gaskets are provided as a separate item;  
1 1/2"=18-GFF 1 1/2" & 2"=18-GFF 2"

\*Rubber meter gaskets not included. See page 322 for rubber meter gaskets.

## Meter Dimensions

Meter Size	5/8"	3/4" Short Meter, 5/8" x 3/4"	3/4"	3/4" x 1"	1"	1 1/2"	2"
<b>A-Meter Threads</b>	3/4"	1"	1"	1 1/4"	1 1/4"	Oval Flange	Oval Flange
<b>B-Lay Length</b>	7 1/2"	7 1/2"	9"	9"	10 3/4"	13"	17"
<b>A.Y. McDonald Spacing*</b>	7 13/16"	7 13/16"	9 5/16"	9 5/16"	11 3/32"	13 1/4"	17 1/4"



\*Allows for meter and two gaskets.

Note: A.Y. McDonald uses the above standards for typical meter applications. If your application is special or in question, you should always measure the meter as shown above. Other meter lay lengths must be specified. An additional 3/8" is added to top spacing to allow for gaskets through 1" meters: Standard 2" top spacing = 17 1/4".







**WITHOUT  
YOU  
THERE IS  
NO US.**



# **Back Flow, Single & Dual Checks**

January 11, 2022 - Revised July 2024



## 701 & 7101 Inline Single Check Valves

A.Y. McDonald's unique Inline Single Check Back Flow Valves have a wide variety of inlet / outlet configurations.

Backflow prevention will stop the house water from flowing into a meter pit or on the floor while removing the meter for service.



701-322 33

### Features

- Available with a wide variety of threaded or Compression outlet connections.

### How to Order

(Example):

- Inline Accessible
- Valve size 3/4"
- Inlet - Meter swivel integral with saddle (5/8 x 3/4 meter)
- Outlet - 3/4" FNPT

#### Order Model 7101-3HE 43

<b>7101</b>	-	<b>3</b>	<b>HE</b>		<b>4</b>	<b>3</b>
<b>Model Number</b>	<b>Dash</b>	<b>Check Valve Size</b>	<b>Inlet &amp; Outlet Connection</b>	<b>Blank</b>	<b>Inlet</b>	<b>Outlet</b>
	- = Standard					
701 = Inline single check valve		3 = 3/4" 4 = 1" 7 = 2"				
7101 = Inline Accessible						
					<b>METER THREAD</b>	<b>THREAD SIZE DESIGNATION</b>
					5/8" Meter	3
					5/8" x 3/4" Meter	4
					3/4" Meter	4
					1" Meter	5
					1 1/2" Oval Flange	6
					2" Oval Flange	7
					<b>Size of Inlet &amp; Outlet</b>	
					3 = 3/4"	
					6 = 1 1/2"	
					7 = 2"	

Inlet & Outlet Connection -  
**A** = Male meter thread integral  
**D** = Oval flange  
**E** = FNPT integral  
**H** = Meter swivel integral with support lip  
**J** = Meter swivel integral without support lip  
**P** = MNPT integral  
**S** = H CTS integral  
**T** = T CTS integral  
**U** = G CTS integral  
**V** = Q CTS integral  
**2** = -22 CTS integral

Not all combinations available, contact factory.  
 For Iron Yoke, K-Thread and UFR, contact factory.



# 701 & 7101 Inline Single Check Valves

## Inline Accessible

## Inline Accessible

**701-322**  
-22 CTS x -22 CTS



Part No.	Size	Inlet/Outlet	Carton PCS/WT	Price
5040-002	33	3/4" / 3/4"	20/1	\$107.08

**701-3EE**  
FNPT x FNPT



Part No.	Size	Inlet/Outlet	Carton PCS/WT	Price
5040-005	33	3/4" / 3/4"	20/22	\$65.95

**701-3TT**  
T CTS x T CTS



Part No.	Size	Inlet/Outlet	Carton PCS/WT	Price
5040-001	33	3/4" / 3/4"	20/1	\$107.08

**701-3UU**  
G CTS x G CTS



Part No.	Size	Inlet/Outlet	Carton PCS/WT	Price
5040-003	33	3/4" / 3/4"	20/1	\$107.08

**701-3VV**  
Q CTS x Q CTS



Part No.	Size	Inlet/Outlet	Carton PCS/WT	Price
5040-000	33	3/4" / 3/4"	20/1	\$107.08

**701-3ZP**  
Female K x MNPT

Part No.	Size	Inlet/Outlet	Carton PCS/WT	Price
5040-019	33	3/4" / 3/4"	20/20	\$69.24

**7101-3J2**  
Integral Meter Swivel without Support Lip x -22 CTS



Part No.	Size	Inlet/Outlet	Carton PCS/WT	Price
5040-015	43	5/8" x 3/4" or 3/4" / 3/4"	20/28	\$95.94

**7101-3JE**  
Integral Meter Swivel without Support Lip x FNPT



Part No.	Size	Inlet/Outlet	Carton PCS/WT	Price
5040-013	43	5/8" x 3/4" or 3/4" / 3/4"	20/23	\$70.02

**7101-3JP**  
Integral Meter Swivel without Support Lip x MNPT



Part No.	Size	Inlet/Outlet	Carton PCS/WT	Price
5040-010	43	5/8" x 3/4" or 3/4" / 3/4"	20/21	\$78.19

**7101-3JV**  
Integral Meter Swivel without Support Lip x Q CTS



Part No.	Size	Inlet/Outlet	Carton PCS/WT	Price
5040-014	43	5/8" x 3/4" or 3/4" / 3/4"	20/29	\$95.94

**7101-4J2**  
Integral Meter Swivel without Support Lip x -22 CTS



Part No.	Size	Inlet/Outlet	Carton PCS/WT	Price
5040-018	54	1" / 1"	10/20	\$130.66

**7101-4JE**  
Integral Meter Swivel without Support Lip x FNPT



Part No.	Size	Inlet/Outlet	Carton PCS/WT	Price
5040-016	54	1" / 1"	10/17	\$85.08

**7101-4JP**  
Integral Meter Swivel without Support Lip x MNPT



Part No.	Size	Inlet/Outlet	Carton PCS/WT	Price
5040-011	54	1" / 1"	10/15	\$87.05

**7101-4JV**  
Integral Meter Swivel without Support Lip x Q CTS



Part No.	Size	Inlet/Outlet	Carton PCS/WT	Price
5040-017	54	1" / 1"	10/21	\$130.66

**701-7DE**  
Oval Meter Flange x FNPT



Part No.	Size	Inlet/Outlet	Carton PCS/WT	Price
5183-283	66	1 1/2" / 1 1/2"	1/7	\$383.95
5183-285	77	2" / 2"	1/7	\$465.58

**701-7EE**  
FNPT x FNPT



Part No.	Size	Inlet/Outlet	Carton PCS/WT	Price
5183-320	66	1 1/2" / 1 1/2"	1/8	\$331.52
5183-322	77	2" / 2"	1/7	\$419.03

Back Flow, Single & Dual Checks





## 702 Angle Single Check Valves

A.Y. McDonald's unique Angle Single Check Back Flow Valves have meter swivel nut inlets and a wide variety of outlet configurations. Angle single checks can be ordered on our copper meter setters, resetters, insetters, and iron yokes, or they can be used independently.

Our top cap and unique perpendicular check module design ensures convenient access for inspections, maintenance or replacements without removing the valve from the line. It also allows for a lower profile than traditional top entry check. Backflow prevention will stop the house water from flowing into a meter pit or on the floor while removing the meter for service. This check design has less flow restriction than standard check valves.



702-3H2 43

### Features

- Angle check valve cap available with Pentagon Test Plug.
- Available with a wide variety of threaded or Compression outlet connections.

### How to Order

(Example):

- Angle style valve
- No test valve
- Valve size 3/4"
- Inlet - Meter swivel integral with saddle (5/8" x 3/4" or 3/4" meter)
- Outlet - FNPT integral 3/4"

### Order Model 702-3HE 33

<b>702</b>	<b>-</b>	<b>3</b>	<b>HE</b>	<b>-</b>	<b>4</b>	<b>3</b>
<b>Model Number</b>	<b>Dash</b>	<b>Check Valve Size</b>	<b>Inlet &amp; Outlet Connection</b>	<b>Blank</b>	<b>Inlet</b>	<b>Outlet</b>
702 = Angle single check valve	- = Standard W = Pentagon test plug in cap	3 = 3/4" 4 = 1"				

For Test Port/Drain in Cap  
Add \$23.05 to list price and replace "-" in model number with "W"  
i.e. 702-3HE 33 = 702W3HE 33

#### Inlet & Outlet Connection -

- E = FNPT integral
- H = Meter swivel integral with support lip
- J = Meter swivel integral without support lip
- Q = Q CTS integral
- R = Copper Flare integral
- S = H CTS integral
- T = T CTS integral
- U = G CTS integral
- 2 = -22 CTS integral

Not all combinations available, contact factory.

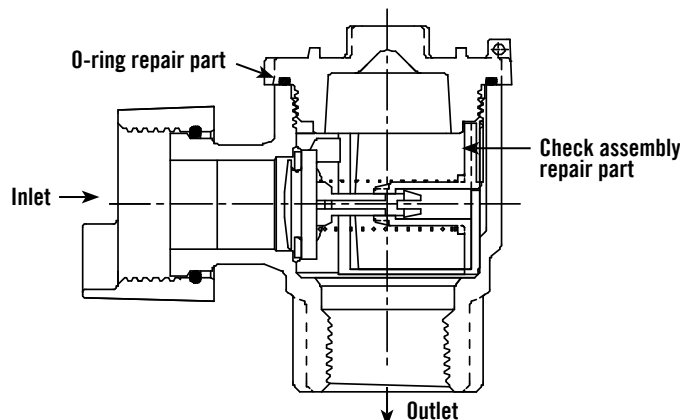
METER THREAD	THREAD SIZE DESIGNATION
5/8" Meter	3
5/8" x 3/4" Meter	4
3/4" Meter	4
1" Meter	5

IRON PIPE, YOKE OR K-THREAD	THREAD SIZE DESIGNATION
3/4" Thread	3
1" Thread	4

### Components and Repair Parts

Contact factory for repair parts.



# 702 Angle Single Check Valves

## 702-3HE

Meter Swivel with Support Lip x FNPT



Part No.	Size	Inlet/Outlet	Carton PCS/WT	Price
5132-299	33	5/8" / 3/4"	10/13	\$76.08
5132-302	43	5/8" x 3/4" or 3/4" / 3/4"	10/12	\$76.08

## 702-3JE

Meter Swivel without Support Lip x FNPT



Part No.	Size	Inlet/Outlet	Carton PCS/WT	Price
5132-467	33	5/8" / 3/4"	10/18	\$76.08
5132-468	43	5/8" x 3/4" or 3/4" / 3/4"	10/13	\$76.08

## 702-3J2

Meter Swivel without Support Lip x -22 CTS



Part No.	Size	Inlet/Outlet	Carton PCS/WT	Price
5192-288	33	5/8" / 3/4"	10/15	\$89.31

## 702-3H2

Meter Swivel with Support Lip x -22 CTS



Part No.	Size	Inlet/Outlet	Carton PCS/WT	Price
5182-397	33	5/8" / 3/4"	10/15	\$89.31
5182-400	43	5/8" x 3/4" or 3/4" / 3/4"	10/16	\$89.31

## 702-3HQ

Meter Swivel with Support Lip x Q CTS



Part No.	Size	Inlet/Outlet	Carton PCS/WT	Price
5182-396	33	5/8" / 3/4"	10/15	\$89.31
5182-399	43	5/8" x 3/4" or 3/4" / 3/4"	10/17	\$89.31

## 702-3HT

Meter Swivel with Support Lip x T CTS



Part No.	Size	Inlet/Outlet	Carton PCS/WT	Price
5182-398	33	5/8" / 3/4"	10/21	\$89.31
5182-401	43	5/8" x 3/4" or 3/4" / 3/4"	10/16	\$89.31

## 702-4HE

Meter Swivel with Support Lip x FNPT



Part No.	Size	Inlet/Outlet	Carton PCS/WT	Price
5132-308	54	1" / 1"	10/23	\$91.38

## 702-4JE

Meter Swivel Nut without Support Lip x FNPT



Part No.	Size	Inlet/Outlet	Carton PCS/WT	Price
5132-310	54	1" / 1"	10/22	\$91.38

## 702-4H2

Meter Swivel with Support Lip x -22 CTS



Part No.	Size	Inlet/Outlet	Carton PCS/WT	Price
5182-403	54	1" / 1"	10/27	\$95.46

## 702-4HQ

Meter Swivel with Support Lip x Q CTS



Part No.	Size	Inlet/Outlet	Carton PCS/WT	Price
5182-402	54	1" / 1"	10/30	\$95.46

## 702-4HU

Meter Swivel with Support Lip x G CTS



Part No.	Size	Inlet/Outlet	Carton PCS/WT	Price
5192-248	54	1" / 1"	10/29	\$95.46

## 702-4HR

Metering Swivel with Support Lip x Flare



Part No.	Size	Inlet/Outlet	Carton PCS/WT	Price
5182-407	54	1" / 1"	10/28	\$98.36

## 702-4HT

Metering Swivel with Support Lip x T CTS



Part No.	Size	Inlet/Outlet	Carton PCS/WT	Price
5182-404	54	1" / 1"	10/29	\$95.46

## 02-3RK

Repair Kit for Model 702-3 Single Check (Includes Check Cartridge and O-Rings)



Part No.	Size	Carton PCS/WT	Price
4152-492	3/4"	1/1	\$30.08

## 02-4RK

Repair Kit for Model 702-4 Single Check Valves (Includes Check Cartridge and O-Rings)



Part No.	Size	Carton PCS/WT	Price
4152-493	1"	1/1	\$52.43



## 711 Inline Dual Check Valves

A.Y. McDonald Inline Dual Check Valves protect the public water supply by preventing the reverse flow of water from the building back into the water main. The Series 711 dual check valve is available with a wide variety of end connections to connect directly to water meters or other types of piping.



711-3F2 33

### Features

- Available with a wide variety of threaded or Compression connections.
- Dual checks work independently of each other.
- Valve will operate with either check removed.
- Designed Tested to ANSI/ASSE 1024 requirements.

### How to Order

(Example):

- Inline style valve
- Valve size 3/4"
- Inlet - FNPT union 3/4"
- Outlet - 3/4" FNPT

### Order Model 711-3FE 33



**711** = Inline Dual Check valve (Two inline checks)  
**7311** = Special

**-** = Standard

**3** = 3/4"  
**4** = 1"

**FE** = Inlet & Outlet Connection

**Blank**

**3 3** = Inlet Outlet

METER THREAD	THREAD SIZE DESIGNATION
5/8" Meter	3
5/8" x 3/4" Meter	4
3/4" Meter	4
1" Meter	5

IRON PIPE, YOKE OR K-THREAD	THREAD SIZE DESIGNATION
3/4" Thread	3
1" Thread	4

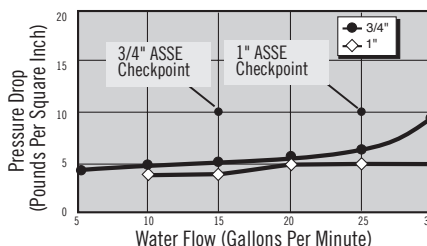
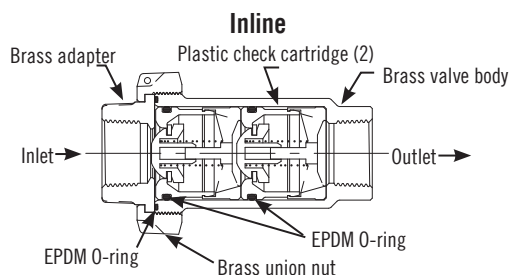
#### Inlet & Outlet Connection

- A** = Male meter thread integral
- B** = Male meter thread union
- C** = -22 CTS union
- D** = G CTS union
- E** = FNPT integral
- F** = FNPT union
- G** = T CTS union
- H** = Meter swivel integral with support lip
- J** = Meter swivel integral without support lip
- K** = K Style male thread integral
- L** = K Style female thread integral
- M** = MNPT union

- N** = Female meter thread union
- O** = PE CTS union
- P** = MNPT integral
- Q** = K style male thread union
- R** = Q CTS union
- S** = H CTS integral
- T** = T CTS integral
- U** = G CTS integral
- V** = Q CTS integral
- 2** = -22 CTS integral
- = Ranger

Not all combinations available, contact factory.

### Components and Repair Parts



For repair kit, order 11-3RK. Kit includes cap o-ring and two cartridges with o-rings.

### 11-3RK

Repair Kit

3 EPDM O-rings, 2 Plastic Check Cartridges

Part No.	Size	Carton PCS/AWT	Price
4135-000	3/4"	1/1	\$29.44

### 11-4RK

Repair Kit

3 EPDM O-rings, 2 Plastic Check Cartridges

Part No.	Size	Carton PCS/AWT	Price
4152-390	1"	1/1	\$55.07



## 711 Inline Dual Check Valves

### 711-3AF

3/4" Male Meter Thread x 3/4" FNPT



Part No.	Size	Inlet/Outlet	Carton PCS/WT	Price
5133-471	43	5/8" x 3/4" or 3/4" / 3/4"	1/2	\$130.61

### 711-3AN

Male Meter Thread Integral x Female Meter Thread Union



Part No.	Size	Inlet/Outlet	Carton PCS/WT	Price
5135-218	33	5/8" / 5/8"	1/2	\$130.61
5135-207	34	5/8" / 5/8" x 3/4" or 3/4"	1/2	\$130.61
5135-203	44	5/8" x 3/4" or 3/4" / 5/8" x 3/4" or 3/4"	16/23	\$130.61

### 711-3BA

Male Meter Thread Union x Male Meter Thread Integral



Part No.	Size	Inlet/Outlet	Carton PCS/WT	Price
5135-220	44	5/8" x 3/4" or 3/4" / 5/8" x 3/4" or 3/4"	1/2	\$125.01

### 711-3C2

-22 CTS Union x -22 CTS Integral



Part No.	Size	Inlet/Outlet	Carton PCS/WT	Price
5135-265	33	3/4" / 3/4"	1/3	\$161.48

### 711-3CE

-22 CTS Union x FNPT Integral



Part No.	Size	Inlet/Outlet	Carton PCS/WT	Price
5135-263	33	3/4" / 3/4"	1/2	\$146.71

### 711-3CP

-22 CTS Union x MNPT Integral



Part No.	Size	Inlet/Outlet	Carton PCS/WT	Price
5135-264	33	3/4" / 3/4"	1/3	\$146.71

### 711-3F2

FNPT Union x -22 CTS Integral



Part No.	Size	Inlet/Outlet	Carton PCS/WT	Price
5135-255	33	3/4" / 3/4"	1/2	\$146.71

### 711-3FE

FNPT Union x FNPT Integral



Part No.	Size	Inlet/Outlet	Carton PCS/WT	Price
5135-227	11	1/2" x 1/2"	1/3	\$130.61
5135-252	33	3/4" / 3/4"	1/2	\$130.61

### 711-3FP

FNPT Union x MNPT Integral



Part No.	Size	Inlet/Outlet	Carton PCS/WT	Price
5135-253	33	3/4" / 3/4"	1/2	\$130.61

### 711-3FT

FNPT Union x T CTS Integral



Part No.	Size	Inlet/Outlet	Carton PCS/WT	Price
5135-254	33	3/4" / 3/4"	1/2	\$146.71

### 711-3FV

FNPT Union x Q CTS Integral



Part No.	Size	Inlet/Outlet	Carton PCS/WT	Price
5135-061	33	3/4" / 3/4"	16/36	\$146.71

### 711-3GE

T CTS Union x FNPT Integral



Part No.	Size	Inlet/Outlet	Carton PCS/WT	Price
5135-260	33	3/4" / 3/4"	1/3	\$146.71

### 711-3GP

T CTS Union x MNPT Integral



Part No.	Size	Inlet/Outlet	Carton PCS/WT	Price
5135-261	33	3/4" / 3/4"	1/3	\$146.71

### 711-3GT

T CTS Union x T CTS Integral



Part No.	Size	Inlet/Outlet	Carton PCS/WT	Price
5135-262	33	3/4" / 3/4"	1/3	\$161.48

### 711-3HB

Meter Swivel with Support Lip  
Integral x Male Meter Thread Union



Part No.	Size	Inlet/Outlet	Carton PCS/WT	Price
5135-229	44	5/8" x 3/4" or 3/4" / 5/8" x 3/4" or 3/4"	1/3	\$143.67

### 711-3JR

Meter Swivel Nut without Support Lip x Q CTS Union



Part No.	Size	Inlet/Outlet	Carton PCS/WT	Price
5152-329	43	5/8" x 3/4" or 3/4" / 3/4"	1/3	\$166.62

### 711-3JB

Meter Swivel Nut Integral without Support Lip x Male Meter Thread Union



Part No.	Size	Inlet/Outlet	Carton PCS/WT	Price
5135-225	44	5/8" x 3/4" or 3/4" / 5/8" x 3/4" or 3/4"	1/2	\$143.67

### 711-3JC

Meter Swivel Nut Integral without Support Lip x -22 CTS Union



Part No.	Size	Inlet/Outlet	Carton PCS/WT	Price
5135-208	33	5/8" / 3/4"	1/3	\$166.62
5135-266	43	5/8" x 3/4" or 3/4" / 3/4"	1/3	\$166.62

### 711-3JF

Meter Swivel Nut Integral without Support Lip x FNPT Union



Part No.	Size	Inlet/Outlet	Carton PCS/WT	Price
5135-210	33	5/8" / 3/4"	1/2	\$143.67
5135-268	43	5/8" x 3/4" or 3/4" / 3/4"	1/2	\$143.67

### 711-3JG

Meter Swivel Nut Integral without Support Lip x T CTS Union



Part No.	Size	Inlet/Outlet	Carton PCS/WT	Price
5135-209	33	5/8" / 3/4"	1/3	\$166.62
5135-267	43	5/8" x 3/4" or 3/4" / 3/4"	1/3	\$166.62

### 711-3JM

Meter Swivel Nut Integral without Support Lip x MNPT Union



Part No.	Size	Inlet/Outlet	Carton PCS/WT	Price
5135-211	33	5/8" / 3/4"	1/3	\$143.67
5135-269	43	5/8" x 3/4" or 3/4" / 3/4"	1/2	\$143.67



## 711 Inline Dual Check Valves

### 711-3M2

MNPT Union x -22 CTS Integral



Part No.	Size	Inlet/Outlet	Carton	
			PCS/WT	Price
5135-259	33	3/4" / 3/4"	1/4	\$146.71

### 711-3MP

MNPT Union x MNPT Integral



Part No.	Size	Inlet/Outlet	Carton	
			PCS/WT	Price
5135-257	33	3/4" / 3/4"	1/2	\$125.01

### 711-3NE

Female Meter Thread Union x FNPT Integral



Part No.	Size	Inlet/Outlet	Carton	
			PCS/WT	Price
5135-226	33	5/8" / 3/4"	1/2	\$130.61
5135-234	43	5/8" x 3/4" or 3/4" / 3/4"	1/2	\$130.61

### 711-3MA

MNPT Union x Male Meter Thread Integral



Part No.	Size	Inlet/Outlet	Carton	
			PCS/WT	Price
5135-213	33	3/4" / 5/8"	1/2	\$125.01
5135-214	34	3/4" / 5/8" x 3/4" or 3/4"	1/2	\$125.01

### 711-3MT

MNPT Union x T CTS Integral



Part No.	Size	Inlet/Outlet	Carton	
			PCS/WT	Price
5135-258	33	3/4" / 3/4"	1/3	\$146.71

### 711-3NP

Female Meter Thread Union x MNPT Integral



Part No.	Size	Inlet/Outlet	Carton	
			PCS/WT	Price
5135-224	33	5/8" / 3/4"	1/2	\$130.61
5135-232	43	5/8" x 3/4" or 3/4" / 3/4"	1/2	\$130.61
5125-006	44	5/8" x 3/4" or 3/4" / 1"	1/2	\$130.61

### 711-3ME

MNPT Union x FNPT Integral



Part No.	Size	Inlet/Outlet	Carton	
			PCS/WT	Price
5135-256	33	3/4" / 3/4"	1/2	\$130.61

### 711-3MV

MNPT Union x Q CTS Integral



Part No.	Size	Inlet/Outlet	Carton	
			PCS/WT	Price
5135-063	33	3/4" / 3/4"	1/4	\$146.71

### 711-3NT

Female Meter Thread Union x T CTS Integral



Part No.	Size	Inlet/Outlet	Carton	
			PCS/WT	Price
5135-228	33	5/8" / 3/4"	1/2	\$146.71
5135-236	43	5/8" x 3/4" or 3/4" / 3/4"	1/2	\$146.71

### 711-3MJ

MNPT Union x Meter Swivel  
Integral without Support Lip



Part No.	Size	Inlet/Outlet	Carton	
			PCS/WT	Price
5145-049	34	3/4" / 5/8" x 3/4" or 3/4"	1/2	\$143.67

### 711-3N2

Female Meter Thread Union x -22 CTS Integral



Part No.	Size	Inlet/Outlet	Carton	
			PCS/WT	Price
5135-230	33	5/8" / 3/4"	1/2	\$146.71
5135-238	43	5/8" x 3/4" or 3/4" / 3/4"	1/2	\$146.71

### 711-3NV

Female Meter Thread Union x Q CTS Integral



Part No.	Size	Inlet/Outlet	Carton	
			PCS/WT	Price
5135-064	33	5/8" / 3/4"	16/28	\$146.71
5135-065	43	5/8" x 3/4" or 3/4" / 3/4"	1/3	\$146.71

### 711-3NA

Female Meter Thread Union x  
Male Meter Thread Integral



Part No.	Size	Inlet/Outlet	Carton	
			PCS/WT	Price
5135-216	33	5/8" / 5/8"	1/2	\$130.61
5135-205	43	5/8" x 3/4" or 3/4" / 5/8"	1/2	\$130.61
5145-083	44 x 3.63	5/8" x 3/4" or 3/4" / 5/8" x 3/4" or 3/4"	1/2	\$130.61
5135-201	44	5/8" x 3/4" or 3/4" / 5/8" x 3/4" or 3/4"	1/2	\$130.61

### 711-3PF

MNPT Integral x FNPT Union



Part No.	Size	Inlet/Outlet	Carton	
			PCS/WT	Price
5135-231	33	3/4" / 3/4"	1/2	\$130.61

### 711-3PN

MNPT Integral x Female Meter Thread Union



Part No.	Size	Inlet/Outlet	Carton	
			PCS/WT	Price
5135-199	34	3/4" / 5/8" x 3/4" or 3/4"	1/2	\$124.41





# 711 Inline Dual Check Valves

## 711-3RV

Q CTS Union x Q CTS Integral



Part No.	Size	Inlet/Outlet	Carton PCS/WT	Price
5135-066	33	3/4" / 3/4"	1/3	\$146.71

## 7311-3JF

Integral Meter Swivel without Support Lip x FNPT Union  
Special Lay Length



Part No.	Size	Inlet/Outlet	Carton PCS/WT	Price
5141-329	33	5/8" / 3/4"	1/2	\$137.14

## 311-3RK

Cascading Dual Check Repair Kit



Part No.	Size	Inlet/Outlet	Carton PCS/WT	Price
4134-084	33	5/8" / 3/4"	1/1	\$29.42

## 7311-3JM

Integral Meter Swivel without Support Lip x MNPT Union  
Special Lay Length



Part No.	Size	Inlet/Outlet	Carton PCS/WT	Price
	43	5/8" x 3/4" or 3/4" / 3/4"	1/2	\$137.14
5152-304	33	5/8" x 3/4"	1/2	\$137.14

## 7311X3JF

Meter Swivel without Support Lip x FNPT Union



Part No.	Size	Inlet/Outlet	Carton PCS/WT	Price
5122-099	43	5/8" x 3/4" or 3/4" / 3/4"	1/2	\$62.07

## 7311X3JM

Meter Swivel without Support Lip x MNPT Union



Part No.	Size	Inlet/Outlet	Carton PCS/WT	Price
5122-098	43	5/8" x 3/4" or 3/4" / 3/4"	1/2	\$66.48

## 7311X3J- 43

Integral Meter Swivel without Support Lip x RANGER



Part No.	Size	Carton PCS/WT	Price
5125-074	5/8" x 3/4" or 3/4" / 3/4"	1/2	\$137.70

## 711-4NA

Female Meter Thread Union x Male Meter Thread Integral



Part No.	Size	Inlet/Outlet	Carton PCS/WT	Price
5175-474	55	1" / 1"	1/3	\$298.02

## 711-4EM

FNPT Integral x MNPT Union



Part No.	Size	Inlet/Outlet	Carton PCS/WT	Price
5133-463	44	1" / 1"	1/3	\$251.52

## 711-4FE

FNPT Union x FNPT Integral



Part No.	Size	Inlet/Outlet	Carton PCS/WT	Price
5135-474	44	1" / 1"	1/3	\$251.52

## 711-4HB

Meter Swivel Integral with Support Lip x Male Meter Union



Part No.	Size	Inlet/Outlet	Carton PCS/WT	Price
5135-012	55	1" / 1"	1/4	\$267.93

## 711-4JB

Meter Swivel Integral without Support Lip x Male Meter Union



Part No.	Size	Inlet/Outlet	Carton PCS/WT	Price
5135-013	55	1" / 1"	1/4	\$267.93

## 711-4JF

Meter Swivel Integral without Support Lip x FNPT Union



Part No.	Size	Inlet/Outlet	Carton PCS/WT	Price
5135-473	54	1" / 1"	1/3	\$267.93

## 711-4JM

Meter Swivel Integral without Support Lip x MNPT Union



Part No.	Size	Inlet/Outlet	Carton PCS/WT	Price
5135-498	54	1" / 1"	1/4	\$267.93

## 711-4MJ

MNPT Union x Meter Swivel Integral without Support Lip



Part No.	Size	Inlet/Outlet	Carton PCS/WT	Price
5152-051	45	1" / 1"	1/4	\$267.93

## 711-4ME

MNPT Union x FNPT Integral



Part No.	Size	Inlet/Outlet	Carton PCS/WT	Price
5135-475	44	1" / 1"	1/3	\$251.52

## 711-7DE

Oval Flange x FNPT

Part No.	Size	Inlet/Outlet	Carton PCS/WT	Price
5183-284	66	1 1/2" x 1 1/2"	1/8	\$500.38
5183-286	77	2" x 2"	1/8	\$606.78

## 711-7EE

FNPT x FNPT - Inline Accessible



Part No.	Size	Inlet/Outlet	Carton PCS/WT	Price
5183-321	66	1 1/2" x 1 1/2"	1/9	\$414.40
5183-323	77	2" x 2"	1/8	\$523.78

Back Flow, Single & Dual Checks



## 711X Inline Dual Check Valves

Reduced weight check valves.



### 711X3JF

Integral Meter Swivel without Support Lip x FNPT Union (reduced weight)

Part No.	Size	Inlet/Outlet	Carton PCS/WT	Price
5122-096	43	5/8" x 3/4" or 3/4" / 3/4"	1/2	\$76.83
5123-064	54	1" / 1"	1/2	\$84.22



### 711X4JF

Integral Meter Swivel without Support Lip x FNPT Union (reduced weight)

Part No.	Size	Inlet/Outlet	Carton PCS/WT	Price
5123-011	54	1" / 1"	1/3	\$159.58



### 711X3JM

Integral Meter Swivel without Support Lip x MNPT Union (reduced weight)

Part No.	Size	Inlet/Outlet	Carton PCS/WT	Price
5122-097	43	5/8" x 3/4" or 3/4" / 3/4"	1/2	\$81.27
5123-063	54	1" / 1"	1/2	\$93.09



### 711X4JM

Integral Meter Swivel without Support Lip x MNPT Union (reduced weight)

Part No.	Size	Inlet/Outlet	Carton PCS/WT	Price
5123-012	54	1" / 1"	1/3	\$168.44

### 711X3NA

Female Meter Thread Union x Male Meter Thread Integral



Part No.	Size	Inlet/Outlet	Carton PCS/WT	Price
5123-171	44	5/8" x 3/4" or 3/4" / 5/8" x 3/4" or 3/4"	1/2	\$119.82



# 712 Angle Dual Check Valves

A.Y. McDonald's unique Angle Dual Check Back Flow Valves have meter swivel nut inlet and a wide variety of outlet configurations. Angle dual checks can be ordered on our copper meter setters, resetters, insetters and iron yokes or they can be used independently.

Our top cap and unique perpendicular check module design ensures convenient access to both checks for inspections, maintenance or replacements without removing the valve from the line. It also allows for a lower profile than traditional top entry dual checks. Backflow of water is still deterred if either of the checks are removed or inoperable. This check design has less flow restriction than standard check valves.



712-3JE 43

## Features

- Angle check valve available with Pentagon Test Plug in cap.
- Available with a wide variety of threaded or compression connections.
- Dual checks work independently of each other.
- Valve will operate with either check removed.
- Design Tested to ANSI/ASSE 1024 requirements.

## How to Order

(Example):

- Angle style valve
- No test valve
- Valve size 3/4"
- Inlet - Meter swivel nut (5/8" x 3/4" meter)
- Outlet - 3/4" FNPT

### Order Model 712-3JE 43

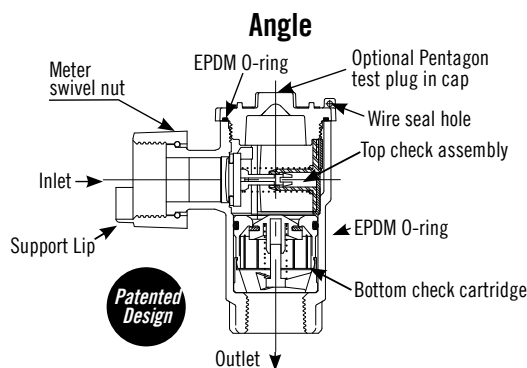
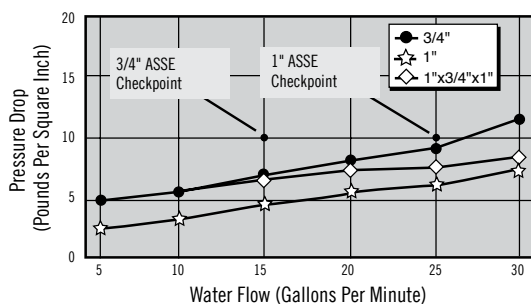
<b>712</b>	<b>-</b>	<b>3</b>	<b>JE</b>		<b>4</b>	<b>3</b>
<b>Model Number</b>	<b>Dash</b>	<b>Check Valve Size</b>	<b>Inlet &amp; Outlet Connection</b>	<b>Blank</b>	<b>Inlet</b>	<b>Outlet</b>
712 = Angle Dual Check valve	- = Standard W = Pentagon test plug in cap	3 = 3/4" 4 = 1"				

<b>Inlet &amp; Outlet Connection</b>	<b>T</b>	<b>METER THREAD</b>	<b>THREAD SIZE DESIGNATION</b>
<b>B</b> = -3G PEP-7 integral	<b>T</b> = T CTS integral	5/8" Meter	3
<b>E</b> = FNPT integral	<b>U</b> = G CTS integral	5/8" x 3/4" Meter	4
<b>H</b> = Meter swivel integral with support lip	<b>Z</b> = -3Q PEP-7 integral	3/4" Meter	4
<b>I</b> = -3H PEP-7 integral	<b>2</b> = -22 CTS integral	1" Meter	5
<b>J</b> = Meter swivel integral without support lip	<b>3</b> = -33 PEP-7 integral		
<b>Q</b> = Q CTS integral	<b>4</b> = -44 PVC integral	<b>IRON PIPE, YOKE OR K-THREAD</b>	<b>THREAD SIZE DESIGNATION</b>
<b>R</b> = Copper Flare integral	<b>5</b> = -55 IP integral	3/4" Thread	3
<b>S</b> = H CTS integral		1" Thread	4

Not all combinations available, contact factory.

## Components and Repair Parts



For repair kit, order 12-3RK. Kit includes top check, bottom check with o-ring and cap o-ring.

Back Flow, Single & Dual Checks



## 712 Angle Dual Check Valves

For Test Port/Drain in Cap  
Add \$23.05 to list price and replace "-" in model number with "W"  
i.e. 712-3HE = 712W3HE

### 712-3HE

Meter Swivel Nut with Support Lip x FNPT



Part No.	Size	Inlet/Outlet	Carton PCS/WT	Price
5135-282	33	5/8" / 3/4"	12/19	\$153.17
5135-286	43	5/8" x 3/4" or 3/4" / 3/4"	12/19	\$153.17
5135-292	54	1" / 1"	12/25	\$173.82

### 712-3JR

Meter Swivel without Support Lip x Flare



Part No.	Size	Inlet/Outlet	Carton PCS/WT	Price
5135-311	33	5/8" / 3/4"	12/24	\$171.81
5135-317	43	5/8" x 3/4" or 3/4" / 3/4"	12/24	\$171.81
5135-323	54	1" / 1"	12/30	\$190.11

### 712-3J2

Meter Swivel without Support Lip x -22 CTS



Part No.	Size	Inlet/Outlet	Carton PCS/WT	Price
5135-315	33	5/8" / 3/4"	12/22	\$172.84
5135-321	43	5/8" x 3/4" or 3/4" / 3/4"	12/23	\$172.84
5135-327	54	1" / 1"	12/27	\$191.34

### 712-3HR

Meter Swivel Nut with Support Lip x Flare



Part No.	Size	Inlet/Outlet	Carton PCS/WT	Price
5135-310	33	5/8" / 3/4"	12/24	\$171.81
5135-316	43	5/8" x 3/4" or 3/4" / 3/4"	12/26	\$171.81
5135-322	54	1" / 1"	12/30	\$190.11

### 712-3HQ

Meter Swivel with Support Lip x Q CTS



Part No.	Size	Inlet/Outlet	Carton PCS/WT	Price
5135-069	33	5/8" / 3/4"	12/23	\$172.84
5135-071	43	5/8" x 3/4" or 3/4" / 3/4"	12/23	\$172.84
5135-073	54	1" / 1"	12/28	\$191.34

### 712-3JQ

Meter Swivel without Support Lip x Q CTS



Part No.	Size	Inlet/Outlet	Carton PCS/WT	Price
5135-070	33	5/8" / 3/4"	12/23	\$172.84
5135-072	43	5/8" x 3/4" or 3/4" / 3/4"	12/23	\$172.84
5135-074	54	1" / 1"	12/28	\$191.34

### 712-3H2

Meter Swivel Nut with Support Lip x -22 CTS



Part No.	Size	Inlet/Outlet	Carton PCS/WT	Price
5135-314	33	5/8" / 3/4"	12/22	\$172.84
5135-320	43	5/8" x 3/4" or 3/4" / 3/4"	12/22	\$172.84
5135-326	54	1" / 1"	12/28	\$191.34

### 712-3HT

Meter Swivel Nut with Support Lip x T CTS



Part No.	Size	Inlet/Outlet	Carton PCS/WT	Price
5135-312	33	5/8" / 3/4"	12/21	\$172.84
5135-318	43	5/8" x 3/4" or 3/4" / 3/4"	12/24	\$172.84
5135-324	54	1" / 1"	12/29	\$191.34

### 712-3JT

Meter Swivel without Support Lip x T CTS



Part No.	Size	Inlet/Outlet	Carton PCS/WT	Price
5135-313	33	5/8" / 3/4"	12/25	\$172.84
5135-319	43	5/8" x 3/4" or 3/4" / 3/4"	12/24	\$172.84
5135-325	54	1" / 1"	12/28	\$191.34

### 712-3HU

Meter Swivel with Support Lip x G CTS



Part No.	Size	Inlet/Outlet	Carton PCS/WT	Price
5192-421	43	5/8" x 3/4" or 3/4" / 3/4"	12/24	\$172.84

### 712-3JE

Meter Swivel without Support Lip x FNPT



Part No.	Size	Inlet/Outlet	Carton PCS/WT	Price
5135-284	33	5/8" / 3/4"	12/20	\$153.17
5135-288	43	5/8" x 3/4" or 3/4" / 3/4"	12/19	\$153.17
5135-294	54	1" / 1"	12/23	\$173.82

### 12-3RK

Repair Kit for 3/4" Check - Vertical/Horizontal



Part No.	Size	Carton PCS/WT	Price
4135-001	3/4"	1/1	\$43.56

### 712-4H2

Meter Swivel Nut with Support Lip x -22 CTS



Part No.	Size	Inlet/Outlet	Carton PCS/WT	Price
5135-430	54	1" / 1"	10/33	\$299.61

### 712-4HT

Meter Swivel Nut with Support Lip x T CTS



Part No.	Size	Inlet/Outlet	Carton PCS/WT	Price
5135-440	54	1" / 1"	10/33	\$299.61

### 712-4JE

Meter Swivel x FNPT



Part No.	Size	Inlet/Outlet	Carton PCS/WT	Price
5135-438	54	1" / 1"	10/25	\$265.80

### 712-4HU

Meter Swivel Nut with Support Lip x G CTS



Part No.	Size	Inlet/Outlet	Carton PCS/WT	Price
5192-221	54	1" / 1"	10/33	\$299.61

### 712-4HE

Meter Swivel Nut with Support Lip x FNPT



Part No.	Size	Inlet/Outlet	Carton PCS/WT	Price
5135-437	54	1" / 1"	10/29	\$265.80

### 712-4JR

Meter Swivel without Support Lip x Flare



Part No.	Size	Inlet/Outlet	Carton PCS/WT	Price
5146-259	54	1" / 1"	10/33	\$297.18

### 712-4HQ

Meter Swivel Nut with Support Lip x Q CTS



Part No.	Size	Inlet/Outlet	Carton PCS/WT	Price
5135-441	54	1" / 1"	10/33	\$299.61

### 712-4HR

Meter Swivel Nut with Support Lip x Flare



Part No.	Size	Inlet/Outlet	Carton PCS/WT	Price
5135-439	54	1" / 1"	10/33	\$297.18

### 12-4RK

Repair Kit for 1" Check Vertical / Horizontal



Part No.	Size	Carton PCS/WT	Price
4135-052	1"	1/1	\$55.72

Back Flow, Single & Dual Checks



# 712 Oval Flanged Angle Dual Check Valves

A.Y. McDonald's unique Angle Dual Check Back Flow Valves have meter oval flange inlet and FNPT outlet configurations. Angle dual checks can be ordered on our copper meter setters and resetters or they can be used independently.

Our top cap and unique perpendicular check module design ensures convenient access to both checks for inspections, maintenance, or replacements without removing the valve from the line. Backflow of water is still deterred if either of the checks are removed or inoperable.



Provided with support bracket

712-7DE 77

## Features

- Dual checks work independently of each other.
- Valve will operate with either check removed.
- Design Tested to ANSI/ASSE 1024 requirements.
- Top cap is available with 1", 1 1/2", or 2" FNPT taps. - \$25.02 adder

For tap with square head plug	
1"	\$52.45
1 1/2"	\$85.77
2"	\$99.00

## How to Order

(Example):

- Angle style valve
- No test valve
- Valve size 2"
- Inlet - Meter flange 2"
- Outlet - FNPT integral 2"

### Order Model 712-7DE 77

<b>712</b>	-	<b>7</b>	<b>DE</b>	Blank	<b>7</b>	<b>7</b>
<b>Model Number</b>	<b>Dash</b>	<b>Check Valve Size</b>	<b>Inlet &amp; Outlet Connection</b>		<b>Inlet</b>	<b>Outlet</b>
712 = Flanged Angle Dual Check valve	- = Standard C = With 1" FNPT tap in cap F = With 1 1/2" FNPT tap in cap G = With 2" FNPT tap in cap	7 = 2"				
					<b>METER FLANGE</b>	<b>THREAD SIZE DESIGNATION</b>
					1 1/2" Meter	6
					2" Meter	7
					<b>IRON PIPE</b>	<b>THREAD SIZE DESIGNATION</b>
					1 1/2" Thread	6
					2" Thread	7

**Inlet & Outlet Connection**

- D = Meter Flanged with meter support brackets (2" flange provided with bolt holes for 1 1/2" and 2" meter)
- E = FNPT integral
- G = "G" CTS Integral
- Q = "Q" CTS Integral
- T = "T" CTS Integral
- 2 = "-22" CTS Integral

### 712-7DE

Oval Flange x FNPT

Part No.	Size	Inlet/Outlet	Carton PCS/WT	Price
5135-375	66	1 1/2" / 1 1/2"	1/9	\$606.40
5135-363	77	2" / 2"	1/9	\$606.40



### 712-7DG

Oval Flange x G CTS

Part No.	Size	Inlet/Outlet	Carton PCS/WT	Price
5192-201	77	2" / 2"	1/10	\$714.15



### 712-7DT

Oval Flange x T CTS

Part No.	Size	Inlet/Outlet	Carton PCS/WT	Price
5140-043	77	2" / 2"	1/9	\$714.15



### 712-7D2

Oval Flange x -22 CTS

Part No.	Size	Inlet/Outlet	Carton PCS/WT	Price
5140-041	77	2" / 2"	1/10	\$714.15



### 712-7DQ

Oval Flange x Q CTS

Part No.	Size	Inlet/Outlet	Carton PCS/WT	Price
5140-042	77	2" / 2"	1/10	\$714.15



### 712-7RK

Angle Dual Check Repair Kit 1 1/2" & 2" Angle

Part No.	Size	Inlet/Outlet	Carton PCS/WT	Price
5152-033	2		1/1	\$165.63



Back Flow, Single & Dual Checks





## 7111 Inline Accessible Dual Check Valves

A.Y. McDonald's unique Inline Accessible Dual Check Back Flow Valves have meter swivel nut inlets and a wide variety of outlet configurations.

Our top cap and unique check module design ensures convenient access to both checks for inspections, maintenance or replacements without removing the valve from the line. Backflow of water is still deterred if either of the checks are removed or inoperable.



### Features

- Available with a wide variety of threaded or Compression connections.
- Dual checks work independently of each other.
- Valve will operate with either check removed.
- Design Tested to ANSI/ASSE 1024 requirements.

### How to Order

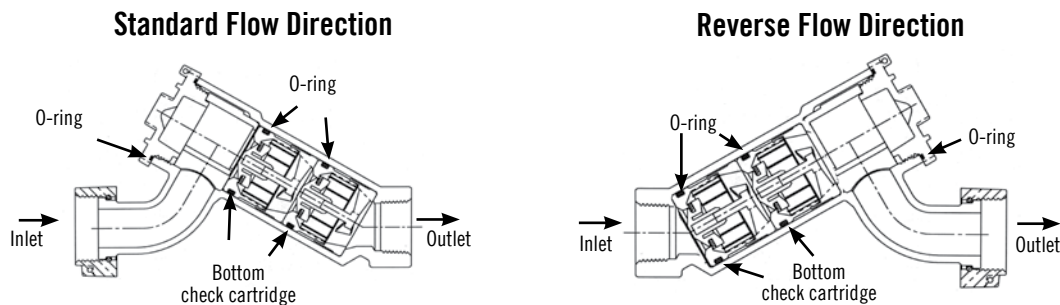
(Example):

- Inline style valve
- Valve size 3/4"
- No test valve
- Inlet - Meter swivel nut (5/8" x 3/4" meter)
- Outlet - FNPT integral 3/4"

### Order Model 7111-3JE 43

<b>7111</b>	-	<b>3</b>	<b>JE</b>		<b>4</b>	<b>3</b>
<b>Model Number</b>	<b>Dash</b>	<b>Check Valve Size</b>	<b>Inlet &amp; Outlet Connection</b>	<b>Blank</b>	<b>Inlet</b>	<b>Outlet</b>
7111 = Inline Accessible Dual Check valve (Two inline checks)	- = Standard W = Pentagon test plug in cap R = Reverse Direction	3 = 3/4" 4 = 1"	E = FNPT integral H = Meter swivel integral with support lip J = Meter swivel integral without support lip P = MNPT integral			
		Inlet & Outlet Connection E = FNPT integral H = Meter swivel integral with support lip J = Meter swivel integral without support lip P = MNPT integral				
		Not all combinations available, contact factory.				
					<b>METER THREAD</b>	<b>THREAD SIZE DESIGNATION</b>
					5/8" Meter	3
					5/8" x 3/4" Meter	4
					3/4" Meter	4
					1" Meter	5
					<b>IRON PIPE, YOKE OR K-THREAD</b>	<b>THREAD SIZE DESIGNATION</b>
					3/4" Thread	3
					1" Thread	4

### Components and Repair Parts



Back Flow, Single & Dual Checks



# 7111 Inline Accessible Dual Check Valves

## 7111-3JE

Meter Swivel without Support Lip x FNPT



Part No.	Size	Inlet/Outlet	Carton	
			PCS/WT	Price
5135-053	33	5/8" / 3/4"	6/16	\$160.92
5135-056	43	5/8" x 3/4" or 3/4" / 3/4"	6/13	\$160.92
5134-089	54	1" x 1"	6/15	\$181.59

## 7111-3JP

Meter Swivel without Support Lip x MNPT



Part No.	Size	Inlet/Outlet	Carton	
			PCS/WT	Price
5135-054	33	5/8" / 3/4"	6/15	\$160.92
5141-317	43	5/8" x 3/4" or 3/4" / 3/4"	6/15	\$160.92

## 7111-4JE

Meter Swivel without Support Lip x FNPT



Part No.	Size	Inlet/Outlet	Carton	
			PCS/WT	Price
5138-196	54	1" / 1"	6/21	\$277.74

## 7111R3EE

FNPT x FNPT (reverse direction)

Part No.	Size	Inlet/Outlet	Carton	
			PCS/WT	Price
5134-046	33	3/4" / 3/4"	6/14	\$158.97

## 7111R4EJ

FNPT x Meter Swivel without Support Lip (reverse direction)



Part No.	Size	Inlet/Outlet	Carton	
			PCS/WT	Price
5134-045	45	1" / 1"	6/18	\$307.38

## 7111-3HE

Meter Swivel with Support Lip x FNPT



Part No.	Size	Inlet/Outlet	Carton	
			PCS/WT	Price
5134-088	54	1" x 1"	6/15	\$181.59



## 7112 Angle Dual Check Valves

A.Y. McDonald's unique Angle Dual Check Back Flow Valves have meter swivel nut inlet and a wide variety of outlet configurations. Angle dual checks can be ordered on our copper meter setters, resetters, insetters, and iron yokes, or they can be used independently.

Our top cap and unique check module design ensures convenient access to both checks for inspections, maintenance or replacements without removing the valve from the line. Backflow of water is still deterred if either of the checks are removed or inoperable.



### Features

- Available with a wide variety of threaded or compression connections.
- Dual checks work independently of each other.
- Valve will operate with either check removed.
- Design Tested to ANSI/ASSE 1024 requirements.

### How to Order

(Example):

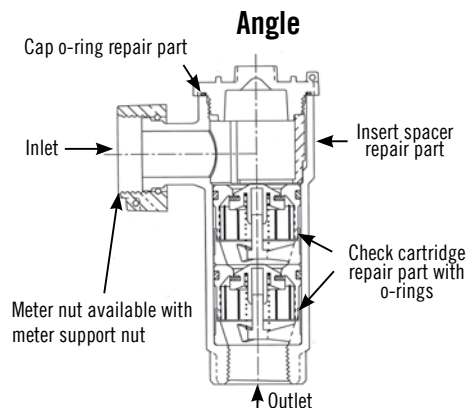
- Angle style valve
- No test valve
- Valve size 3/4"
- Inlet - Meter swivel with meter support saddle (5/8" x 3/4" meter)
- Outlet - FNPT integral 3/4"

### Order Model 7112-3HE 43

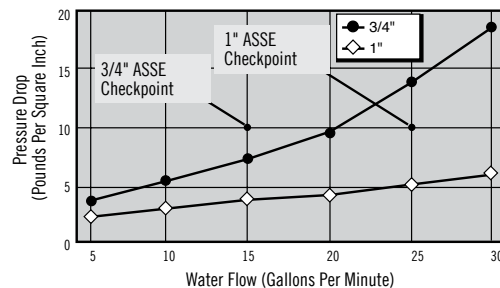
<b>7112</b>	<b>-</b>	<b>3</b>	<b>HE</b>		<b>4</b>	<b>3</b>
<b>Model Number</b>	<b>Dash</b>	<b>Check Valve Size</b>	<b>Inlet &amp; Outlet Connection</b>	<b>Blank</b>	<b>Inlet</b>	<b>Outlet</b>
7112 = Angle Dual Check valve (Two inline checks)	- = Standard R = Reverse direction W = Pentagon test plug in cap M = 1/4" MNPT in cap with cap	3 = 3/4" 4 = 1"				
<b>Inlet &amp; Outlet Connection</b>			T = "T" CTS integral U = "G" CTS integral Z = "-3Q" PEP-7 integral 2 = "-22" CTS integral 3 = "-33" PEP-7 integral 4 = "-44" PVC integral 5 = "-55" IP integral		<b>METER THREAD</b>	<b>THREAD SIZE DESIGNATION</b>
B = "-3G" PEP-7 integral E = FNPT integral H = Meter swivel integral with support lip I = "-3H" PEP-7 integral J = Meter swivel integral without support lip Q = "Q" CTS integral R = Copper Flare integral S = "H" CTS integral					5/8" Meter 5/8" x 3/4" Meter 3/4" Meter 1" Meter	3 4 4 5
					<b>IRON PIPE, YOKE OR K-THREAD</b>	<b>THREAD SIZE DESIGNATION</b>
					3/4" Thread 1" Thread	3 4

Not all combinations available, contact factory.

### Components and Repair Parts



For Test Port/Drain in Cap  
Add **\$23.05** to list price and replace "-" in model number with "W"  
i.e. 7112-3HE = 7112W3HE



# 7112 Angle Dual Check Valves

## 7112-3HE

Meter Swivel with Support Lip x FNPT

Part No.	Size	Inlet/Outlet	Carton PCS/WT	Price
5135-019	33	5/8" / 3/4"	6/15	\$153.17
5135-020	43	5/8" x 3/4" or 3/4" / 3/4"	6/13	\$153.17
5135-030	54	1" / 1"	6/14	\$173.82



## 7112-3HU

Meter Swivel with Support Lip x G CTS

Part No.	Size	Inlet/Outlet	Carton PCS/WT	Price
5192-425	43	5/8" x 3/4" or 3/4" / 3/4"	6/13	\$172.84



## 7112R3EH

FNPT x Meter Swivel with Support Lip (reverse direction)

Part No.	Size	Inlet/Outlet	Carton PCS/WT	Price
5146-263	33	5/8" / 3/4"	6/12	\$153.17
5135-093	43	5/8" x 3/4" or 3/4" / 3/4"	6/12	\$168.53



## 7112-3HR

Meter Swivel with Support Lip x Flare

Part No.	Size	Inlet/Outlet	Carton PCS/WT	Price
5135-022	43	5/8" x 3/4" or 3/4" / 3/4"	6/16	\$171.81



## 7112-3HT

Meter Swivel with Support Lip x T CTS

Part No.	Size	Inlet/Outlet	Carton PCS/WT	Price
5135-038	43	5/8" x 3/4" or 3/4" / 3/4"	6/15	\$172.84



## 112-3RK

Repair Kit for 3/4" Check, Two Vertical Checks

Part No.	Size	Carton PCS/WT	Price
4135-050	3/4"	1/1	\$45.48



## 7112-3H2

Meter Swivel with Support Lip x -22 CTS

Part No.	Size	Inlet/Outlet	Carton PCS/WT	Price
5135-039	43	5/8" x 3/4" or 3/4" / 3/4"	6/13	\$172.84



## 7112-3JE

Meter Swivel without Support Lip x FNPT

Part No.	Size	Inlet/Outlet	Carton PCS/WT	Price
5135-364	33	5/8" / 3/4"	6/14	\$153.17
5135-368	43	5/8" x 3/4" or 3/4" / 3/4"	6/13	\$153.17
5135-370	54	1" / 1"	6/14	\$173.82



## 7112-3HQ

Meter Swivel with Support Lip x Q CTS

Part No.	Size	Inlet/Outlet	Carton PCS/WT	Price
5135-021	43	5/8" x 3/4" or 3/4" / 3/4"	6/13	\$172.84



## 7112-4HE

Meter Swivel with Support Lip x FNPT

Part No.	Size	Inlet/Outlet	Carton PCS/WT	Price
5135-032	54	1" / 1"	6/21	\$265.80



## 7112-4HQ

Meter Swivel with Support Lip x Q CTS

Part No.	Size	Inlet/Outlet	Carton PCS/WT	Price
5135-034	54	1" / 1"	6/22	\$299.61



## 7112R4EH

FNPT x Meter Swivel with Support Lip (reverse direction)

Part No.	Size	Inlet/Outlet	Carton PCS/WT	Price
5135-095	45	1" / 1"	6/19	\$265.80



## 7112-4HR

Meter Swivel with Support Lip x Flare

Part No.	Size	Inlet/Outlet	Carton PCS/WT	Price
5135-033	54	1" / 1"	6/24	\$297.18



## 7112-4HT

Meter Swivel with Support Lip x T CTS

Part No.	Size	Inlet/Outlet	Carton PCS/WT	Price
5135-046	54	1" / 1"	6/23	\$299.61



## 7112-4J2

Meter Swivel without Support Lip x -22 CTS

Part No.	Size	Inlet/Outlet	Carton PCS/WT	Price
5134-086	54	1" / 1"	6/22	\$299.13

## 7112-4H2

Meter Swivel with Support Lip x -22 CTS

Part No.	Size	Inlet/Outlet	Carton PCS/WT	Price
5135-047	54	1" / 1"	6/22	\$299.61



## 7112-4JE

Meter Swivel without Support Lip x FNPT

Part No.	Size	Inlet/Outlet	Carton PCS/WT	Price
5135-372	54	1" / 1"	6/24	\$253.15



## 112-4RK

Repair Kit for 1" Check, Two Vertical Checks

Part No.	Size	Carton PCS/WT	Price
4135-051	1"	1/1	\$85.09



## 7312 Angle Cascading Dual Check

The A.Y. McDonald 7312 series angle dual check valve offers backflow protection up to 175 psi. Connects directly onto a threaded meter so can be ordered on a meter setter, resetter, and insetter. Also available for use with iron yoke bar setting or yoke bar setting.

### Features

- Available with FNPT connection
- Checks work independently of each other
- Available with meter swivel nut and yoke bar connections
- Designed tested to ANSI/ASSE 1024 and CSA B64.6 requirements
- No-lead brass conforms to ASTM B584, UNS 89833

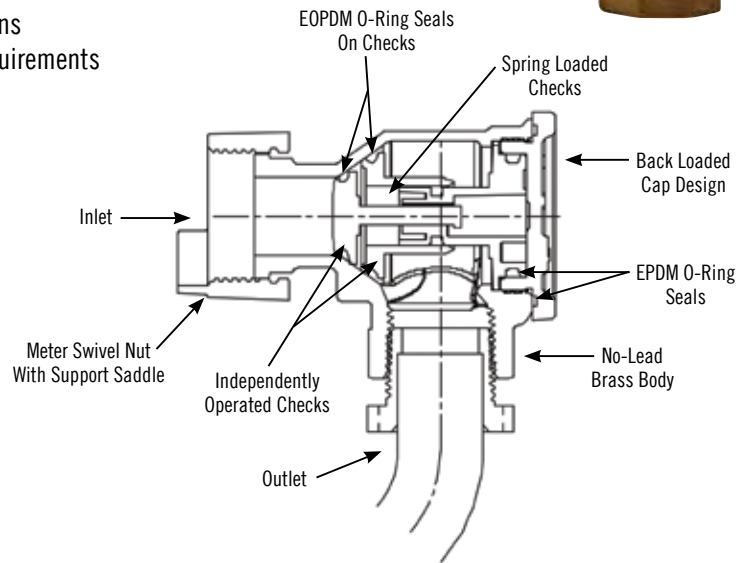


### 7312-3HE

Meter Swivel with Support Lip x FNPT



Part No.	Size	Inlet/Outlet	Carton PCS/WT	Price
5134-052	33	5/8" / 3/4"	15/15	\$139.73
5134-053	43	5/8" x 3/4" or 3/4" / 3/4"	15/18	\$139.73
5134-055	54	1" / 1"	10/14	\$145.23





# 7411 Inline Y Pattern Cascading Dual Check

These inline cascading dual checks can be an integral part of a meter installation and are intended for service use as stipulated by ASSE 1024. This product can be used for supplying dual check backflow prevention to a service line. The check cartridge is also accessible without disturbing the service line.

The water pressure head loss through the checks is lower than the maximum allowed by ASSE, ensuring adequate pressure to the customer. It has excellent corrosion resistance which is provided by stainless steel and acetyl plastic parts and lead free cast brass made to AWWA C800 standard. The cascading dual check is designed to meet or exceed ASSE 1024 requirements.



7411-3HE 43

## How to Order

(Example):

- Angle style valve
- No test valve
- Valve size 3/4"
- Inlet - Meter swivel with meter support saddle (5/8" x 3/4" meter)
- Outlet - FNPT integral 3/4"

### Order Model 7411-3HE 43

<b>7411</b>	<b>-</b>	<b>3</b>	<b>HE</b>	<b>Blank</b>	<b>4</b>	<b>3</b>
<b>Model Number</b>	<b>Dash</b>	<b>Check Valve Size</b>	<b>Inlet &amp; Outlet Connection</b>	<b>Blank</b>	<b>Inlet</b>	<b>Outlet</b>
7411 = Inline Accessible Cascading Dual Check	- = Standard W = Pentagon test plug in cap	3 = 3/4"				

<p><b>Inlet</b></p> <p>H = Meter swivel integral with support lip J = Meter swivel integral without support lip L = K - thread swivel</p>	<p><b>Outlet</b></p> <p>E = FNPT integral P = MNPT integral K = Male K thread integral</p>
---	--

Not all combinations available, contact factory.

METER THREAD	THREAD SIZE DESIGNATION
5/8" Meter	3
5/8" x 3/4" Meter	4
3/4" Meter	4
1" Meter	5

IRON PIPE, YOKE OR K-THREAD	THREAD SIZE DESIGNATION
3/4" Thread	3
1" Thread	4

### 7411-3HE

Meter Nut with Support Lip x FNPT



Part No.	Size	Inlet x Outlet	Carton PCS/WT	Price
5134-059	33	5/8" / 3/4"	10/12	\$139.79
5134-061	43	5/8" x 3/4" or 3/4" / 3/4"	10/12	\$139.79
5134-063	43 x 4.03	5/8" x 3/4" or 3/4" / 3/4"	10/13	\$139.79
5134-066	54	1" / 1"	10/17	\$151.89

### 7411-3JE

Meter Nut Less Support Lip x FNPT



Part No.	Size	Inlet x Outlet	Carton PCS/WT	Price
5134-058	33	5/8" / 3/4"	10/13	\$139.79
5134-060	43	5/8" x 3/4" or 3/4" / 3/4"	10/14	\$139.79
5134-062	43 x 4.03	5/8" x 3/4" or 3/4" / 3/4"	10/13	\$139.79
5134-065	54	1" / 1"	10/17	\$151.89

### 311-3RK

Cascading Dual Check Repair Kit



Part No.	Size	Carton PCS/WT	Price
4134-084	3/4"	1/1	\$29.42

### 7411-3HP

Meter Nut with Support Lip x MNPT



Part No.	Size	Inlet x Outlet	Carton PCS/WT	Price
	33	5/8" / 3/4"	10/13	\$139.78
5134-077	43	5/8" x 3/4" or 3/4" / 3/4"	10/13	\$137.21

### 7411-3JP

Meter Nut Less Support Lip x MNPT



Part No.	Size	Inlet x Outlet	Carton PCS/WT	Price
	33	5/8" / 3/4"	10/13	\$137.21
5134-076	43	5/8" x 3/4" or 3/4" / 3/4"	10/13	\$137.21



**THERMAL EXPANSION WARNING** - Creating a "closed" condition in a hot water system with the installation of a non-return barrier (such as a Check Valve or Backflow Preventer between the system piping and the public supply) can result in extreme pressure rises caused by thermal expansion and/or water hammer. This thermal expansion can damage piping, valves, and other Components in the system. The installation of a pressure relief device or thermal expansion tank can avoid possible damages.







**WITHOUT  
YOU  
THERE IS  
NO US.**



# **Unmeasured Flow Reducer (UFR)**

January 11, 2022 - Revised July 2024

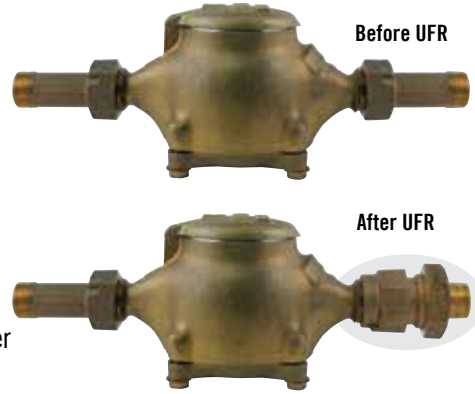


## 7201 Meter Coupling

A.Y. McDonald Mfg. Series 7201 Style UFR Meter Coupling is an innovative design that allows low volumes of water usage (previously unmeasured by the water meter) to be measured simply by batching the usage. Studies show that 5% to 10% of total water consumption is lost due to low, unmeasured flows. This device is in service worldwide.

### FOR 5/8", 5/8" X 3/4", 3/4" & 1" WATER METERS

- Cast brass housing construction conforms to AWWA C-800 (latest revision)
- Self-cleaning internal components
- Lay length equal to a standard meter coupling (2 1/2") for ease in retrofitting
- Meter swivel nut inlet and MNPT outlet
- Available as a non-check valve where thermal expansion is an issue, add x001 to model number
- For use with Volumetric (Positive Displacement) & Multi-Jet meters - N/A for 1" Meter
- UFR is directional



### How to Order

#### Order Model 7201-3JM 431

<b>7201</b>	<b>-</b>	<b>3</b>	<b>J</b>	<b>M</b>		<b>4</b>	<b>3</b>	<b>1</b>	
<b>Model Number Prevention Required</b>	<b>Standard C = Cartridge Style</b>	<b>Check Valve Size</b>	<b>Inlet &amp; Outlet Connection</b>		<b>Space</b>	<b>Thread Size</b>	<b>Sizes - Outlet Connection</b>	<b>Meter Type</b>	<b>Backflow</b>
7201 = Inline UFR		3 = 3/4" 4 = 1"	J = Meter swivel integral without support lip M = MNPT Integral				1 = 1/2" 3 = 3/4" 4 = 1"		X001 - Without Backflow Prevention

METER SIZE	THREAD SIZED	THREAD DESIGNATION
5/8"	3/4"	3
5/8" x 3/4"	1"	4
3/4"	1"	4
1"	1"	5

1 - Volumetric Meter (V) Positive Displacement
2 - Multi-Jet Meter (M2) Contact factory with name of meter, manufacturer, and model number for assistance in determining appropriate UFR or see table on the following page. *N/A for 1" meter.

#### 7201-3JM

Female Meter Swivel Nut without Support Lip x MNPT



Part No.	Size	Carton PCS/WT	Price
5032-017	311	25/23	\$188.79
5032-018	311 x 001	25/23	\$202.84
5032-019	312	25/22	\$188.79
5032-020	312 x 001	25/22	\$202.84
5032-003	431	25/23	\$188.79
5032-004	431 x 001	25/22	\$202.84
5032-005	432	25/22	\$188.79
5032-006	432 x 001	25/23	\$202.84

#### 7201C4JM

Female Meter Swivel Nut without Support Lip x MNPT



Part No.	Size	Carton PCS/WT	Price
5032-290	541	25/23	\$268.37
5032-292	541 x 001	25/23	\$277.87

#### Example:

- 311 = 5/8" Meter x 1/2" MNPT x PD Meter
- 312 = 5/8" Meter x 1/2" MNPT x MJ Meter
- 431 = 5/8" x 3/4" or 3/4" Meter x 3/4" MNPT x PD Meter
- 432 = 5/8" x 3/4" or 3/4" Meter x 3/4" MNPT x MJ Meter



# 7201 Meter Coupling

## GENERAL INFORMATION

- **WARNING** - Do **NOT** use UFR with improper meter. The type of meter the UFR is to be used with is marked on the product as follows:

V = Volumetric Meter      M2 = Multi-Jet Meter

If uncertain of meter type being used, contact factory with meter manufacturer and model number. UFR's without backflow prevention will also be marked "NCV" following the "V" or "M2".

- The UFR can be installed in either the horizontal or vertical position.
- The UFR can be installed either before or after the meter as long as the arrow points in the direction of flow.
- The UFR requires a minimum line pressure of 14 1/2 PSI to operate correctly.
- If used in a system with a pressure regulating valve, best results will be obtained by locating the pressure regulating valve before the UFR or at least 25' after the UFR.
- The UFR does not require regular maintenance.
- Do **NOT** attempt to repair the UFR or replace internal components.
- Replacing the UFR at the time the meter is changed out is highly recommended.

## ASSEMBLY INSTRUCTIONS

- Service lines should be thoroughly flushed before installing device. Excessive pipe sealant or Teflon tape may prevent the UFR from working properly. A suitable strainer should be installed upstream of the device.
- The UFR **MUST** be installed so that the arrow on the UFR points in the direction of water flow.
- A pressure relief valve or an expansion tank is recommended downstream of the UFR if thermal expansion conditions are possible. Not required for non-check valve (NCV) UFR's (X001).
- Use only on cold water service lines under 110°F. Protect from freezing.
- The UFR is not recommended for pressures exceeding 175 PSI.

Meter Manufacturer	Model(s)	Measurement Element	Meter Type	➔	UFR Type	UFR Marking	No Check UFR Marking
Neptune	T10	Rotating Disc	Volumetric Displacement Positive Displacement (PD)	➔	Volumetric	UFR - V	UFR - V - NCV
Badger	25 - 35						
Hersey	400 Series - II's						
Sensus / Rockwell	SR - SR11	Oscillating Piston					
Elster / Kent Amco	C700						
Master Meter	MMPD						
Master Meter	BLMJ - MMMJ	Multi-Jet	Velocity	➔	Multi-Jet	UFR - M2	UFR - M2 - NCV
Sensus	PMM						
Elster Amco	M140 (MO-C)						
Hays	MR - MT						
Precision	PM - PMM						
Sensus	iPERL	Magnetic	Solid State	➔	N/A	N/A	N/A
Badger	E-Series	Ultrasonic					
Elster	SM-700	Fluidic Oscillation					
Actaris		Single Jet	Velocity	➔	Contact Factory	Contact Factory	Contact Factory
	MC15 - MC20	Multi-Jet	Velocity		Contact Factory	Contact Factory	Contact Factory
	MSD - TNII	(not sold in US)	Velocity		Contact Factory	Contact Factory	Contact Factory

Meter shall comply with the AWWA C700-90 accuracy requirements as specified in section 3.8 of the standard.





## 7201 5/8" Meter - Change-Out Kit

A.Y. McDonald Mfg. Series 7201 Style UFR Meter Coupling is an innovative design that allows low volumes of water usage (previously unmeasured by the water meter) to be measured simply by batching the usage. Studies show that 5% to 10% of total water consumption is lost due to low, unmeasured flows. This device is in service worldwide.

### KIT FOR 5/8" METER CHANGE-OUT

- Kit consists of one special length 5/8" x 1/2" meter coupling for inlet side of meter, one 5/8" x 1/2" special length UFR device for outlet side of meter, and two meter gaskets.
- Male threads are protected with plastic thread protectors.

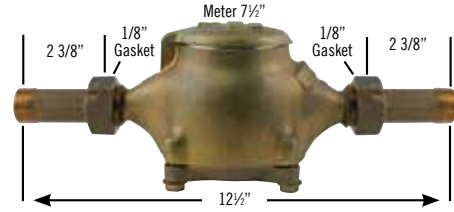


### 7201-3JMKIT

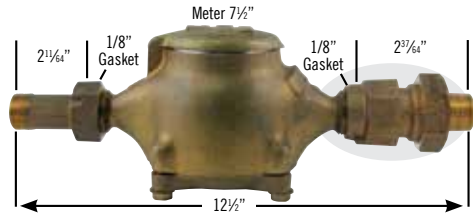
Female Meter Swivel Nut without Support Lip x MNPT

Part No.	Size	Carton PCS/WT	Price
5032-021	311	25/32	\$215.98
5032-022	311 x 001	25/31	\$230.03
5032-023	312	25/31	\$215.98
5032-024	312 x 001	25/31	\$230.03

Before UFR Kit



After UFR Kit



# 7201C Straight Couplings

A.Y. McDonald Mfg. Series 7201C Style UFR Coupling is an innovative design that allows low volumes of water usage (previously unmeasured by the water meter) to be measured simply by batching the usage. Studies show that 5% to 10% of total water consumption is lost due to low, unmeasured flows. This device is in service worldwide.

## FOR 5/8", 5/8" X 3/4" & 3/4" WATER METERS

- Cast brass housing construction conforms to AWWA C-800 (latest revision)
- Self-cleaning internal Components
- Available with a wide variety of meter, threaded, or compression connections
- Available as a non-check valve where thermal expansion is an issue, add x001 to model number
- For use with Volumetric (Positive Displacement) & Multi-Jet meters
- UFR is directional



Unmeasured Flow Reducer (UFR)

## How to Order

### Order Model 7201C3PE 331

7201	C	3	P	E		3	3	1	
<b>Model Number Required</b>	<b>C = Cartridge Version</b>	<b>Check Valve Size</b>	<b>Inlet &amp; Outlet Connection</b>	<b>E</b>	<b>Space</b>	<b>Thread Size</b>	<b>Sizes - Outlet Connection</b>	<b>Meter Type</b>	<b>Backflow Prevention</b>
7201C = Inline UFR		3 = 3/4" 4 = 1"					1 = 1/2" 2 = 5/8" 3 = 3/4" 4 = 1"		X001 - Without Backflow Prevention

- Inlet & Outlet Connection -**
- A = Male meter thread integral
  - E = FNPT Integral
  - H = Meter swivel integral with support lip
  - J = Meter swivel integral without support lip
  - K = K-Style male thread integral
  - L = K-Style female thread integral
  - P = MNPT Integral
  - R = Copper flare
  - S = "H" CTS integral
  - T = "T" CTS integral
  - U = "G" CTS integral
  - V = "Q" CTS integral
  - Y = Yoke style thread male integral
  - 2 = "-22" CTS integral

METER SIZE	THREAD SIZED	THREAD DESIGNATION
5/8"	3/4"	3
5/8" x 3/4"	1"	4
3/4"	1"	4
1"	1 1/4"	5

*For Iron Yokes use the following designation*

METER SIZE	THREAD SIZE	THREAD DESIGNATION
5/8"	-	2
5/8" x 3/4"	-	3
3/4"	-	3
1"	-	4

- 1 - Volumetric Meter (V) Positive Displacement
- 2 - Multi-Jet Meter (M2) Contact factory with name of meter, manufacturer, and model number for assistance in determining appropriate UFR or see table on the following page. \*N/A for 1" meter.

## 7201C Straight Couplings

Unmeasured Flow Reducer (UFR)

Meter Manufacturer	Model(s)	Measurement Element	Meter Type	➔	UFR Type	UFR Marking	No Check UFR Marking
Neptune	T10	Nutating Disc	Volumetric Displacement Positive Displacement (PD)	➔	Volumetric	White Tag	White Tag - NCV
Badger	25 - 35						
Hersey	400 Series - II's						
Sensus / Rockwell	SR - SR11	Oscillating Piston	Volumetric Displacement Positive Displacement (PD)	➔	Volumetric	White Tag	White Tag - NCV
Elster / Kent Amco	C700						
Master Meter	MMPD						
Master Meter	BLMJ - MMMJ	Multi-Jet	Velocity	➔	Multi-Jet	Blue Tag	Blue Tag - NCV
Sensus	PMM						
Elster Amco	M140 (MO-C)						
Hays	MR - MT						
Precision	PM - PMM						
Sensus	iPERL	Magnetic	Solid State	➔	N/A	N/A	N/A
Badger	E-Series	Ultrasonic					
Elster	SM-700	Fluidic Oscillation					
Actaris	MC15 - MC20	Single Jet	Velocity	➔	Contact Factory	Contact Factory	Contact Factory
		Multi-Jet	Velocity		Contact Factory	Contact Factory	Contact Factory
		(not sold in US)	Velocity		Contact Factory	Contact Factory	Contact Factory
MSD - TNII					Contact Factory	Contact Factory	Contact Factory

Meter shall comply with the AWWA C700-90 accuracy requirements as specified in section 3.8 of the standard.

### 7201C322

-22 CTS x -22 CTS



Part No.	Size	Carton PCS/WT	Price
5032-117	331	10/10	\$268.55
5032-243	331 x 001	10/10	\$282.46
5032-118	332	10/10	\$268.55
5032-244	332 x 001	10/10	\$282.46

### 7201C32E

-22 CTS x FNPT



Part No.	Size	Carton PCS/WT	Price
5032-119	331	10/10	\$261.95
5032-245	331 x 001	10/10	\$275.99
5032-120	332	10/10	\$261.95
5032-246	332 x 001	10/10	\$275.99

### 7201C3E2

FNPT x -22 CTS



Part No.	Size	Carton PCS/WT	Price
5032-121	331	10/10	\$261.95
5032-247	331 x 001	10/10	\$275.99
5032-122	332	10/10	\$261.95
5032-248	332 x 001	10/10	\$275.99

### 7201C3EE

FNPT x FNPT



Part No.	Size	Carton PCS/WT	Price
5032-101	331	10/10	\$227.42
5032-227	331 x 001	10/14	\$241.47
5032-102	332	10/11	\$227.42
5032-228	332 x 001	10/11	\$241.47

### 7201C3EP

FNPT x MNPT



Part No.	Size	Carton PCS/WT	Price
5032-115	331	10/10	\$223.57
5032-241	331 x 001	10/10	\$237.60
5032-116	332	10/10	\$223.57
5032-242	332 x 001	10/10	\$237.60

### 7201C3JA

Meter Swivel without Support Lip x Male Meter Thread



Part No.	Size	Carton PCS/WT	Price
5032-109	441	10/10	\$238.34
5032-235	441 x 001	10/10	\$252.35
5032-110	442	10/10	\$238.34
5032-236	442 x 001	10/10	\$252.35



# 7201C Straight Couplings

Unmeasured Flow Reducer (UFR)



## 7201C3JE

Meter Swivel without Support Lip x FNPT

Part No.	Size	Carton PCS/WT	Price
5032-107	431	10/10	\$230.27
5032-233	431 x 001	10/10	\$244.29
5032-108	432	10/10	\$230.27
5032-234	432 x 001	10/10	\$244.29



## 7201C3PP

MNPT x MNPT

Part No.	Size	Carton PCS/WT	Price
5032-105	331	10/9	\$229.66
5032-231	331 x 001	10/9	\$243.68
5032-106	332	10/9	\$229.66
5032-232	332 x 001	10/9	\$243.68



## 7201C4JM

Meter Swivel without Support Lip x MNPT

Part No.	Size	Carton PCS/WT	Price
5032-290	541	10/22	\$268.37
5032-292	541 x 001	10/22	\$277.87



## 7201C3PE

MNPT x FNPT

Part No.	Size	Carton PCS/WT	Price
5032-113	331	10/10	\$223.57
5032-239	331 x 001	10/10	\$237.60
5032-114	332	10/10	\$223.57
5032-240	332 x 001	10/10	\$237.60



## 7201C3VV

Q CTS x Q CTS

Part No.	Size	Carton PCS/WT	Price
5032-123	331	10/10	\$268.55
5032-249	331 x 001	10/10	\$282.58
5032-124	332	10/10	\$268.55
5032-250	332 x 001	10/10	\$282.58



## 7202 Angle Single Check & Non-Check Valve

A.Y. McDonald Mfg. 7202 Series UFR Angle Single Check Valve is an innovative design that allows low volumes of water usage (previously unmeasured by the water meter) to be measured simply by batching the usage. Studies show that 5% to 10% of total water consumption is lost due to low, unmeasured flows. This device is in service worldwide.

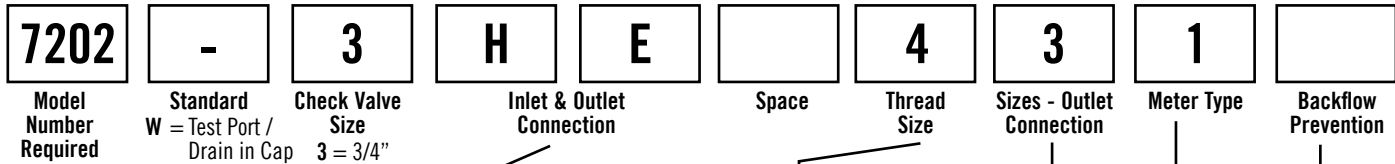
### FOR 5/8", 5/8" X 3/4" & 3/4" WATER METERS

- Cast brass housing construction conforms to AWWA C-800 (latest revision)
- Self-cleaning cartridge assembly
- Available as a non-check valve where thermal expansion is an issue, add x001 to model number
- Meter swivel nut inlet with optional FNPT, CTS (G, Q, T, -22 series), and flare outlets
- For use with Volumetric (Positive Displacement) & Multi-jet meters
- Designed to be installed after the meter
- UFR is directional
- Equal to A.Y. McDonald 712 series dual check lay lengths for ease of retrofitting
- The UFR is not recommended for pressures exceeding 175 PSI.



### How to Order

#### Order Model 7202-3HE 431



7202 = Angle Single UFR

#### Inlet & Outlet Connection -

- E = FNPT Integral
- H = Meter swivel integral with support lip
- J = Meter swivel integral without support lip
- K = K-Style male thread integral
- R = Copper flare
- S = "H" CTS integral
- T = "T" CTS integral
- U = "G" CTS integral
- V = "Q" CTS integral
- Y = Yoke style thread male integral
- 2 = "-22" CTS integral

METER SIZE	THREAD SIZED	THREAD DESIGNATION
5/8"	3/4"	3
5/8" x 3/4"	1"	4
3/4"	1"	4

For Iron Yokes use the following designation

METER SIZE	THREAD SIZE	THREAD DESIGNATION
5/8"	-	2
5/8" x 3/4"	-	3
3/4"	-	3

- 1 - Volumetric Meter (V) Positive Displacement
- 2 - Multi-Jet Meter (M2) Contact factory with name of meter, manufacturer, and model number for assistance in determining appropriate UFR or see table on the following page.





# 7202 Angle Single Check & Non-Check Valve

Meter Manufacturer	Model(s)	Measurement Element	Meter Type	➔	UFR Type	UFR Marking
Neptune	T10	Nutating Disc	Volumetric Displacement Positive Displacement (PD)	➔	Volumetric	White Tag
Badger	25 - 35					
Hersey	400 Series - II's					
Sensus / Rockwell	SR - SR11	Oscillating Piston		➔		
Elster / Kent Amco	C700					
Master Meter	MMPD					
Master Meter	BLMJ - MMMJ	Multi-Jet	Velocity	➔	Multi-Jet	Blue Tag
Sensus	PMM					
Elster Amco	MI40 (MO-C)					
Hays	MR - MT					
Precision	PM - PMM					
Sensus	iPERL	Magnetic	Solid State	➔	N/A	N/A
Badger	E-Series	Ultrasonic				
Elster	SM-700	Fluidic Oscillation				
Actaris	MC15 - MC20 MSD - TN11	Single Jet	Velocity	➔	Contact Factory	Contact Factory
		Multi-Jet (not sold in US)	Velocity		Contact Factory	Contact Factory
			Velocity		Contact Factory	Contact Factory

Meter shall comply with the AWWA C700-90 accuracy requirements as specified in section 3.8 of the standard.

## 7202-3HE

Meter Swivel Nut with Support Lip x FNPT



Part No.	Size	Carton PCS/WT	Price
5032-167	331	12/19	\$237.55
5032-169	331 x 001	12/19	\$251.59
5032-168	332	12/19	\$237.55
5032-170	332 x 001	12/19	\$251.59
5032-135	431	12/19	\$237.55
5032-137	431 x 001	12/20	\$251.59
5032-136	432	12/19	\$237.55
5032-138	432 x 001	12/20	\$251.59

## 7202-3JE

Meter Swivel without Support Lip x FNPT



Part No.	Size	Carton PCS/WT	Price
5032-171	331	12/20	\$237.55
5032-173	331 x 001	12/20	\$251.59
5032-172	332	12/20	\$237.55
5032-174	332 x 001	12/20	\$251.59
5032-139	431	12/20	\$237.55
5032-141	431 x 001	12/20	\$251.59
5032-140	432	12/20	\$237.55
5032-142	432 x 001	12/20	\$251.59

## 7202-3JT

Meter Swivel Nut without Support Lip x T CTS



Part No.	Size	Carton PCS/WT	Price
5032-289	431	12/24	\$257.94

## 202-3RKM2

Multi-jet Repair Kit



Part No.	Size	Carton PCS/WT	Price
4032-270	M2	10/1	\$85.62

## 202-3RKV

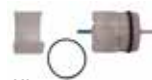
Volumetric Repair Kit



Part No.	Size	Carton PCS/WT	Price
4032-268	V	10/1	\$232.86

## 202-3RKM2NC

Multi-jet, no check Repair Kit



Part No.	Size	Carton PCS/WT	Price
4032-271	M2-NCV	10/1	\$92.65

## 202-3RKVNC

Volumetric, no check Repair Kit



Part No.	Size	Carton PCS/WT	Price
4032-269	V-NCV	10/1	\$92.65



## 7211 Inline Dual Check

A.Y. McDonald Mfg. 7211 Series UFR Style Inline Dual Check Valve is an innovative design that allows low volumes of water usage (previously unmeasured by the water meter) to be measured simply by batching the usage. Studies show that 5% to 10% of total water consumption is lost due to low, unmeasured flows.

### FOR 5/8", 5/8" X 3/4" & 3/4" WATER METERS

- Cast brass housing construction conforms to AWWA C-800 (latest revision)
- Self-cleaning cartridge assembly
- Available with a wide variety of meter, threaded, or compression connections
- Check Valve is equal to the McDonald 711 Series lay lengths for ease in retrofitting
- For use with Volumetric (Positive Displacement) & Multi-jet meters
- Designed to be installed after the meter
- UFR is directional
- The UFR is not recommended for pressures exceeding 175 PSI.



### How to Order

#### Order Model 7211-3JM 431

<b>7211</b>	<b>-</b>	<b>3</b>	<b>J</b>	<b>M</b>		<b>4</b>	<b>3</b>	<b>1</b>
<b>Model Number Required</b>	<b>Standard</b>	<b>Check Valve Size</b>	<b>Inlet &amp; Outlet Connection</b>		<b>Space</b>	<b>Thread Size</b>	<b>Sizes - Outlet Connection</b>	<b>Meter Type</b>
7211 = Inline Dual Check with UFR		3 = 3/4" 4 = 1"					1 = 1/2"    3 = 3/4" 2 = 5/8"    4 = 1"	

#### Inlet & Outlet Connection -

- A = Male meter thread integral
- B = Male meter thread union
- C = "-22" CTS union
- D = "G" CTS union
- E = FNPT integral
- F = FNPT union
- G = "T" CTS union
- H = Meter swivel integral with support lip
- J = Meter swivel integral
- K = K-Style male thread integral
- L = K-Style female thread integral
- M = MNPT union
- N = Meter female thread union
- O = "H" CTS union
- P = MNPT integral
- Q = K Style male thread union
- R = "Q" CTS union
- S = "H" CTS integral
- T = "T" CTS integral
- U = "G" CTS integral
- V = "Q" CTS integral
- W = Yoke box cradle
- Y = Yoke style thread male integral
- Z = K style female thread integral

METER SIZE	THREAD SIZED	THREAD DESIGNATION
5/8"	3/4"	3
5/8" x 3/4"	1"	4
3/4"	1"	4
1"	1 1/4"	5

*For Iron Yokes use the following designation*

METER SIZE	THREAD SIZE	THREAD DESIGNATION
5/8"	-	2
5/8" x 3/4"	-	3
3/4"	-	3
1"	-	4

- 1 - Volumetric Meter (V) Positive Displacement
- 2 - Multi-Jet Meter (M2) Contact factory with name of meter, manufacturer, and model number for assistance in determining appropriate UFR or see table on the following page. \*N/A for 1" meter.



## 7211 Inline Dual Check

Meter Manufacturer	Model(s)	Measurement Element	Meter Type	➔	UFR Type	UFR Marking
Neptune	T10	Nutating Disc	Volumetric Displacement Positive Displacement (PD)	➔	Volumetric	White Tag
Badger	25 - 35					
Hersey	400 Series - II's					
Sensus / Rockwell	SR - SR11	Oscillating Piston	Volumetric Displacement Positive Displacement (PD)	➔	Volumetric	White Tag
Elster / Kent Amco	C700					
Master Meter	MMPD					
Master Meter	BLMJ - MMMJ	Multi-Jet	Velocity	➔	Multi-Jet	Blue Tag
Sensus	PMM					
Elster Amco	M140 (MO-C)					
Hays	MR - MT					
Precision	PM - PMM					
Sensus	iPERL	Magnetic	Solid State	➔	N/A	N/A
Badger	E-Series	Ultrasonic				
Elster	SM-700	Fluidic Oscillation				
Actaris	MC15 - MC20 MSD - TNII	Single Jet	Velocity	➔	Contact Factory	Contact Factory
		Multi-Jet	Velocity		Contact Factory	Contact Factory
		(not sold in US)	Velocity		Contact Factory	Contact Factory

Meter shall comply with the AWWA C700-90 accuracy requirements as specified in section 3.8 of the standard.

### 7211-3FE

FNPT Union x FNPT



Part No.	Size	Carton PCS/WT	Price
5032-262	112*	1/2	\$292.06
5032-075	331	1/2	\$292.06
5032-076	332	1/2	\$292.06

\*With Bushings

### 7211-3JC

Integral Meter Swivel without Support Lip x -22 CTS Union



Part No.	Size	Carton PCS/WT	Price
5032-053	331	1/3	\$328.07
5032-054	332	1/3	\$328.07
5032-051	431	1/3	\$328.07
5032-052	432	1/3	\$328.07

### 7211-3JM

Integral Meter Swivel without Support Lip x MNPT Union



Part No.	Size	Carton PCS/WT	Price
5032-065	331	1/2	\$305.16
5032-066	332	1/3	\$305.16
5032-063	431	1/2	\$305.16
5032-064	432	1/3	\$305.16

### 7211-3HB

Integral Meter Swivel with Meter Support Lip x Male Meter Thread Union



Part No.	Size	Carton PCS/WT	Price
5032-079	441	1/3	\$305.16
5032-080	442	1/3	\$305.16

### 7211-3JF

Integral Meter Swivel without Support Lip x FNPT Union



Part No.	Size	Carton PCS/WT	Price
5032-263	312	1/2	\$305.16
5032-061	331	1/2	\$305.16
5032-062	332	1/2	\$305.16
5032-059	431	1/2	\$305.16
5032-060	432	1/2	\$305.16

### 7211-3JQ

Integral Meter Swivel without Support Lip x Male K-Thread Union



Part No.	Size	Carton PCS/WT	Price
5032-069	331	1/3	\$309.34
5032-070	332	1/3	\$309.34
5032-067	431	1/2	\$309.99
5032-068	432	1/3	\$309.99

### 7211-3JB

Integral Meter Swivel without Meter Support Lip x Male Meter Thread Union



Part No.	Size	Carton PCS/WT	Price
5032-049	441	1/2	\$305.16
5032-050	442	1/2	\$305.16

### 7211-3JG

Integral Meter Swivel without Support Lip x T CTS Union



Part No.	Size	Carton PCS/WT	Price
5032-057	331	1/3	\$328.07
5032-058	332	1/3	\$328.07
5032-055	431	1/3	\$328.07
5032-056	432	1/3	\$328.07

### 7211-3FP

FNPT Union x MNPT Integral



Part No.	Size	Carton PCS/WT	Price
5032-259	331	1/2	\$292.06



## 7211 Inline Dual Check

Unmeasured Flow Reducer (UFR)

### 7211-3ME

MNPT Union x FNPT Integral



Part No.	Size	Carton PCS/WT	Price
5032-283	332	1/2	\$292.06

### 7211-3MP

MNPT Union x MNPT Integral



Part No.	Size	Carton PCS/WT	Price
5032-077	331	1/2	\$286.45
5032-078	332	1/2	\$286.45

### 7211-3NP

Female Meter Thread Union x MNPT Integral



Part No.	Size	Carton PCS/WT	Price
5032-281	431	1/2	\$292.06
5032-286	441	1/2	\$292.06
5032-287	442	1/2	\$292.06

### 7211-3NA

Female Meter Thread Union x Male Meter Thread Integral



Part No.	Size	Carton PCS/WT	Price
5032-073	331	1/2	\$292.06
5032-074	332	1/2	\$292.06
5032-087	431	1/2	\$292.06
5032-088	432	1/2	\$292.06
5032-071	441	1/2	\$292.06
5032-072	442	1/2	\$292.06

### 7211-4JB

Integral Meter Swivel Without Meter Support Lip x Male Meter Thread Union



Part No.	Size	Carton PCS/WT	Price
5032-304	551	1/4	\$469.88

### 7211-4HB

Integral Meter Swivel With Meter Support Lip x Male Meter Thread Union



Part No.	Size	Carton PCS/WT	Price
5032-303	551	1/4	\$469.88

### 7211-4EM

FNPT x MNPT Union



Part No.	Size	Carton PCS/WT	Price
5032-299	441	12/24	\$453.47

### 7211-4FE

FNPT Union x FNPT



Part No.	Size	Carton PCS/WT	Price
5032-300	441	1/3	\$453.47

### 7211-4JF

Integral Meter Swivel Without Meter Support Lip x FNPT Union



Part No.	Size	Carton PCS/WT	Price
5032-305	541	1/3	\$469.88

### 7211-4JM

Integral Meter Swivel Without Meter Support Lip x MNPT Union



Part No.	Size	Carton PCS/WT	Price
5032-307	541	1/4	\$469.88

### 7211-4ME

MNPT Union x FNPT Integral



Part No.	Size	Carton PCS/WT	Price
5032-301	541	1/3	\$453.47

### 7211-4MJ

MNPT Union x Integral Meter Swivel Without Meter Support Lip



Part No.	Size	Carton PCS/WT	Price
5032-308	551	1/4	\$469.88

### 7211-4NA

Female Meter Thread Union x Male Meter Thread Integral



Part No.	Size	Carton PCS/WT	Price
5032-328	551	1/3	\$499.99

### 211-3RKM2

Repair Kit



Part No.	Size	Carton PCS/WT	Price
4032-275	M2	10/1	\$89.01

### 211-3RKM2

Repair Kit



Part No.	Size	Carton PCS/WT	Price
4032-274	V	10/1	\$89.01



# 7212 Angle Dual Check

A.Y. McDonald Mfg. 7212 Series UFR Style Angle Dual Check Valve is an innovative design that allows low volumes of water usage (previously unmeasured by the water meter) to be measured simply by batching the usage. Studies show that 5% to 10% of total water consumption is lost due to low, unmeasured flows. This device is in service worldwide.

## FOR 5/8", 5/8" X 3/4" & 3/4" WATER METERS

- Cast brass housing construction conforms to AWWA C-800 (latest revision)
- Self-cleaning cartridge assembly
- Check valve is equal to the McDonald 7112 Series lay lengths for ease in retrofitting
- Meter swivel nut inlet with optional FNPT, CTS (G, Q, T, -22 series), and flare outlets
- Can be incorporated in to any settings that currently accept our 7112 series angle dual check valve configuration
- For use with Volumetric (Positive Displacement) & Multi-Jet meters
- Designed to be installed after the meter
- UFR is directional
- The UFR is not recommended for pressures exceeding 175 PSI.



Unmeasured Flow Reducer (UFR)

## How to Order

### Order Model 7212-3HE 431



**7212**  
Model Number Required

**-**  
Standard  
W = Test Port / Drain in Cap

**3**  
Check Valve Size  
3 = 3/4"  
4 = 1"

**H**  
Inlet & Outlet Connection

**E**  
Space

**4**  
Thread Size

**3**  
Sizes - Outlet Connection  
3 = 3/4"  
4 = 1"

**1**  
Meter Type

7212 = Angle Dual Check with UFR

- Inlet & Outlet Connection -**  
**E** = FNPT integral  
**H** = Meter swivel integral with saddle nut  
**J** = Meter swivel integral  
**Q** = "Q" CTS integral  
**R** = Copper flare integral  
**S** = "H" CTS integral  
**T** = "T" CTS integral  
**U** = "G" CTS integral  
**Y** = Iron yoke male thread integral  
**2** = "-22" CTS integral

METER SIZE	THREAD SIZED	THREAD DESIGNATION
5/8"	3/4"	3
5/8" x 3/4"	1"	4
3/4"	1"	4
1"	1 1/4"	5

For Iron Yokes use the following designation

METER SIZE	THREAD SIZE	THREAD DESIGNATION
5/8"	-	2
5/8" x 3/4"	-	3
3/4"	-	3
1"	-	4

- 1 - Volumetric Meter (V) Positive Displacement
- 2 - Multi-Jet Meter (M2)  
Contact factory with name of meter, manufacturer, and model number for assistance in determining appropriate UFR or see table on the following page.  
\*N/A for 1" meter.



## 7212 Angle Dual Check

Unmeasured Flow Reducer (UFR)

Meter Manufacturer	Model(s)	Measurement Element	Meter Type	→	UFR Type	UFR Marking
Neptune	T10	Nutating Disc	Volumetric Displacement Positive Displacement (PD)	→	Volumetric	Model # on tag
Badger	25 - 35					
Hersey	400 Series - II's					
Sensus / Rockwell	SR - SR11	Oscillating Piston	Volumetric Displacement Positive Displacement (PD)	→	Volumetric	Model # on tag
Elster / Kent Amco	C700					
Master Meter	MMPD					
Master Meter	BLMJ - MMMJ	Multi-Jet	Velocity	→	Multi-Jet	Model # on tag
Sensus	PMM					
Elster Amco	M140 (MO-C)					
Hays	MR - MT					
Precision	PM - PMM					
Sensus	iPERL	Magnetic	Solid State	→	N/A	N/A
Badger	E-Series	Ultrasonic				
Elster	SM-700	Fluidic Oscillation				
Actaris	MC15 - MC20	Single Jet	Velocity	→	Contact Factory	Contact Factory
		Multi-Jet	Velocity		Contact Factory	Contact Factory
		(not sold in US)	Velocity		Contact Factory	Contact Factory
Actaris	MSD - T111	(not sold in US)	Velocity	→	Contact Factory	Contact Factory
					Contact Factory	Contact Factory
					Contact Factory	Contact Factory

Meter shall comply with the AWWA C700-90 accuracy requirements as specified in section 3.8 of the standard.

### 7212-3HE

Meter Swivel Nut with Support Lip x FNPT



Part No.	Size	Carton PCS/WT	Price
5032-001	331	6/15	\$314.66
5032-007	332	6/15	\$314.66
5032-002	431	6/12	\$314.66
5032-008	432	6/11	\$314.66

### 7212-3JE

Meter Swivel Nut without Support Lip x FNPT



Part No.	Size	Carton PCS/WT	Price
5032-013	331	6/15	\$314.66
5032-015	332	6/15	\$314.66
5032-014	431	6/14	\$314.66
5032-016	432	6/11	\$314.66

### 7212-4H2

Integral Meter Swivel with Meter Support Lip x -22 CTS



Part No.	Size	Carton PCS/WT	Price
5032-312	541	10/33	\$501.57

### 7212-4HE

Integral Meter Swivel with Meter Support Lip x FNPT



Part No.	Size	Carton PCS/WT	Price
5032-324	541	10/26	\$467.76

### 7212-4HQ

Integral Meter Swivel with Meter Support Lip x Q CTS



Part No.	Size	Carton PCS/WT	Price
5032-314	541	10/33	\$501.57

### 7212-4HR

Integral Meter Swivel with Meter Support Lip x Flare



Part No.	Size	Carton PCS/WT	Price
5032-309	541	10/33	\$499.15

### 7212-4HT

Integral Meter Swivel with Meter Support Lip x T CTS



Part No.	Size	Carton PCS/WT	Price
5032-313	541	10/33	\$501.57

### 7212-4HU

Integral Meter Swivel with Meter Support Lip x G CTS



Part No.	Size	Carton PCS/WT	Price
5032-318	541	10/33	\$501.57

### 7212-4JE

Integral Meter Swivel without Meter Support Lip x FNPT



Part No.	Size	Carton PCS/WT	Price
5032-325	541	10/25	\$467.76

### 7212-4JR

Integral Meter Swivel without Meter Support Lip x Flare



Part No.	Size	Carton PCS/WT	Price
5032-311	541	1/4	\$499.15





# 7214 Inline Accessible Dual Check

A.Y. McDonald Mfg. 7214 Series UFR Style Inline Accessible Dual Check Valve is an innovative design that allows low volumes of water usage (previously unmeasured by the water meter) to be measured simply by batching the usage. Studies show that 5% to 10% of total water consumption is lost due to low, unmeasured flows. This device is in service worldwide.

## FOR 5/8", 5/8" X 3/4" & 3/4" WATER METERS

- Cast brass housing construction conforms to AWWA C-800 (latest revision)
- Self-cleaning cartridge assembly
- Check valve is equal to the McDonald 7111 Series lay lengths for ease in retrofitting
- Meter swivel nut inlet with optional FNPT, CTS (G, Q, T, -22 series), & Flare outlets
- Available with a wide variety of meter, threaded or compression connections
- Offers access to the individual cartridge checks without disturbing the piping system on which it is installed
- Top cap on check valve is sealed with an EPDM O-ring and allows easy access to check cartridges
- For use with Volumetric (Positive Displacement) & Multi-Jet meters
- Designed to be installed after the meter
- UFR is directional
- The UFR is not recommended for pressures exceeding 175 PSI.



## How to Order

### Order Model 7214-3JE 431



**7214**  
Model Number Required

**-**  
Standard  
W = Test Port / Drain in Cap

**3**  
Check Valve Size  
3 = 3/4"

**J**  
Inlet & Outlet Connection

**E**

**Space**

**4**  
Thread Size

**3**  
Sizes - Outlet Connection

**1**  
Meter Type

7214 = Inline Accessible Dual Check with UFR

- Inlet & Outlet Connection -**
- E = FNPT Integral
  - G = "G" CTS integral
  - H = Meter swivel integral with saddle nut
  - J = Meter swivel integral
  - K = K Style male thread integral
  - P = MNPT integral
  - Q = "Q" CTS integral
  - T = "T" CTS integral
  - Y = Iron yoke male thread integral
  - 2 = "-22" CTS integral

METER SIZE	THREAD SIZED	THREAD DESIGNATION
5/8"	3/4"	3
5/8" x 3/4"	1"	4
3/4"	1"	4

*For Iron Yokes use the following designation*

METER SIZE	THREAD SIZE	THREAD DESIGNATION
5/8"	-	2
5/8" x 3/4"	-	3
3/4"	-	3

2 = 5/8"  
3 = 3/4"

- 1 - Volumetric Meter (V) Positive Displacement
- 2 - Multi-Jet Meter (M2) Contact factory with name of meter, manufacturer, and model number for assistance in determining appropriate UFR or see table on the following page.



## 7214 Inline Accessible Dual Check

Unmeasured Flow Reducer (UFR)

Meter Manufacturer	Model(s)	Measurement Element	Meter Type	➔	UFR Type	UFR Marking
Neptune	T10	Nutating Disc	Volumetric Displacement Positive Displacement (PD)	➔	Volumetric	White Tag
Badger	25 - 35					
Hersey	400 Series - II's					
Sensus / Rockwell	SR - SR11	Oscillating Piston				
Elster / Kent Amco	C700					
Master Meter	MMPD					
Master Meter	BLMJ - MMMJ	Multi-Jet	Velocity	➔	Multi-Jet	Blue Tag
Sensus	PMM					
Elster Amco	M140 (MO-C)					
Hays	MR - MT					
Precision	PM - PMM					
Sensus	iPERL	Magnetic	Solid State	➔	N/A	N/A
Badger	E-Series	Ultrasonic				
Elster	SM-700	Fluidic Oscillation				
Actaris	MC15 - MC20 MSD - TNII	Single Jet	Velocity	➔	Contact Factory	Contact Factory
		Multi-Jet	Velocity		Contact Factory	Contact Factory
		(not sold in US)	Velocity		Contact Factory	Contact Factory

Meter shall comply with the AWWA C700-90 accuracy requirements as specified in section 3.8 of the standard.

### 7214-3JE

Integral Meter Swivel Nut without Support Lip x FNPT



Part No.	Size	Carton PCS/WT	Price
5032-035	331	12/31	\$322.38
5032-036	332	12/31	\$322.38
5032-027	431	12/28	\$322.38
5032-028	432	12/28	\$322.38

### 7214-3JP

Integral Meter Swivel Nut without Support Lip x MNPT



Part No.	Size	Carton PCS/WT	Price
5032-039	331	12/30	\$322.38
5032-040	332	12/30	\$322.38
5032-025	431	12/28	\$322.38
5032-026	432	12/24	\$322.38

### 7214-3JQ

Integral Meter Swivel Nut without Support Lip x Q CTS Compression



Part No.	Size	Carton PCS/WT	Price
5032-029	431	12/24	\$342.03
5032-030	432	12/24	\$342.03





**WITHOUT  
YOU  
THERE IS  
NO US.**



# **Copper Meter Resetters**

January 11, 2022 - Revised July 2024



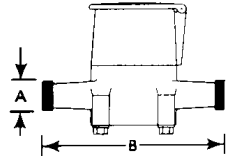
## 710 Series

The A.Y. McDonald Meter Resetter is a unique and patented product designed to easily retrofit existing meter installations to include a dual check backflow preventer, or pressure relief valve. This is accomplished without the high risk of cutting into old service lines, or the expensive process of digging up and replacing existing meter boxes or pits. This retrofitting can be easily performed in even the most confined meter boxes.



**Before**

NOTE: Meter box sold separately



**Meter Dimensions**

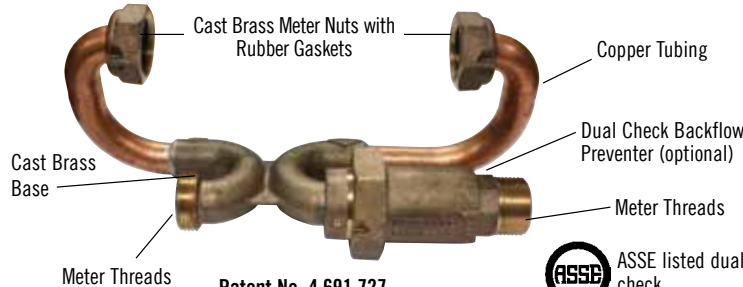
METER SIZE	5/8"	5/8" x 3/4"	3/4"
A-Meter Threads	3/4"	1"	1"
B-Lay Length	7 1/2"	7 1/2"	9"
A.Y. McDonald Spacing*	7 13/16"	7 13/16"	9 5/16"



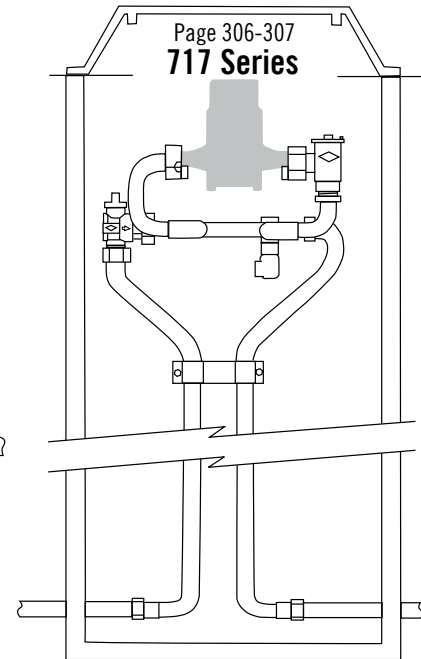
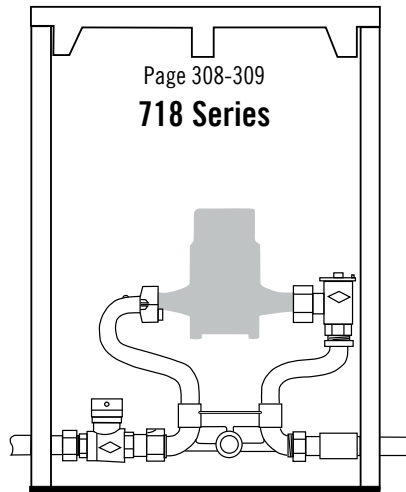
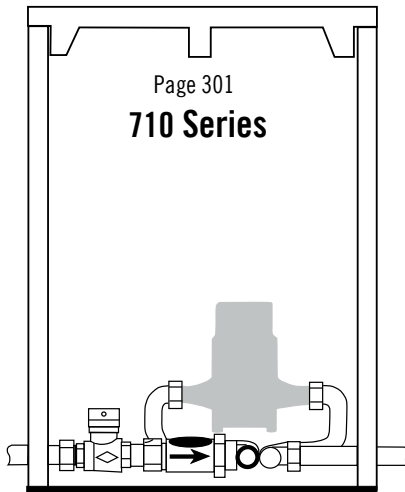
**After**

NOTE: Meter box sold separately

Available for 5/8", 5/8" x 3/4", or 3/4" meters

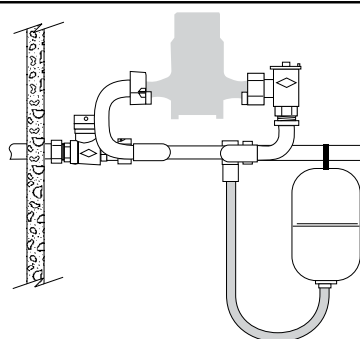


Patent No. 4,691,727  
Model - 710203NNH- X72



### 717-204XDCA

Series 717 with Backflow Preventer and Thermal Expansion Tank (Tank and hose must be purchased separately).

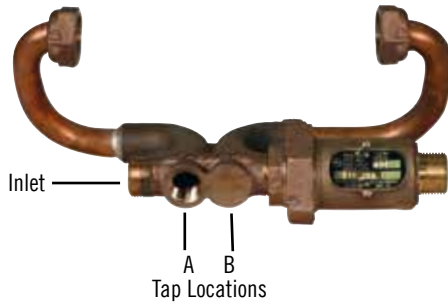


### 717-204XDCC

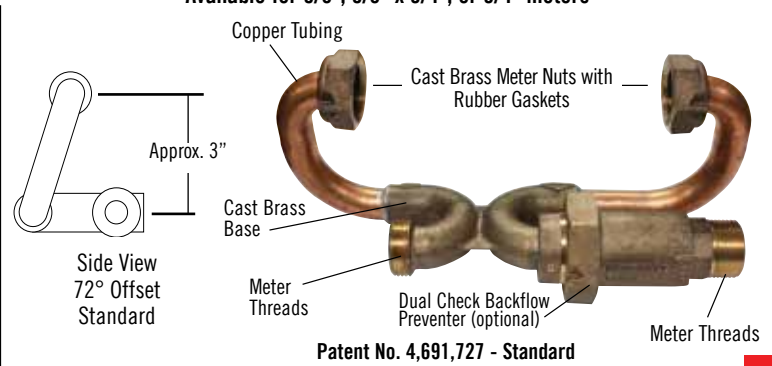
Series 717 used to retrofit existing high rise meter pit and standard meter resetter with backflow preventer and pressure relief valve.



## 710 Series



**Model 710-103NNHA X72**



**Model 710-203NNH- X72**

<b>710</b>	<b>-</b>	<b>1</b>	<b>03</b>	<b>N</b>	<b>N</b>	<b>H</b>	<b>A</b>		<b>X72</b>
<b>Series</b> 710	- = Standard <b>Bottom Bar Cross Size</b> A = 5/8" B = 5/8"x3/4" C = 3/4"	<b>Meter Size</b> 1 = 5/8" 2 = 5/8"x3/4" 3 = 3/4"	<b>Height</b> 3" 6"	<b>Inlet</b> N = No valve (meter nut only without saddle) Q = Lockwing ball valve (without saddle)	<b>Outlet</b>	<b>Bottom Bar Options</b>	<b>1/2" Bottom Bar Tap</b>	<b>Space</b>	<b>Tube Offset</b>

\*For angle ball valves integral to resetter, contact factory.  
- Resetters with cross-size meter sets are available, contact factory.

- = No option
- C = Dual check on inlet
- H = Dual check on outlet
- J = Adapter idler (sized to fit meter)

- = No tap
- A = Tap inlet, no plug
- B = Tap outlet, no plug
- L = Tap inlet, 125# PRV
- D = Tap outlet, 125# PRV
- E = Tap inlet, 175# PRV
- F = Tap outlet, 175# PRV
- G = Tap inlet, with plug
- H = Tap outlet, with plug
- T = 1/2" Tap for Sample Station, House Side
- S = Sampling Station (Inlet is city side, outlet is house side)

Copper Meter Resetters

## Ordering Options Separately



**Dual Check Backflow Preventer (Inlet side)**  
**Inlet:** Male meter thread  
**Outlet:** Female meter thread (union)  
**711-3AN 33** For 5/8" meter ..... \$130.61  
 5135-218  
**711-3AN 44** For 5/8"x3/4" and 3/4" meter .... \$130.61  
 5135-207



**Dual Check Backflow Preventer (Outlet side)**  
**Inlet:** Female meter thread (union)  
**Outlet:** Male meter thread  
**711-3NA 33** For 5/8" meter ..... \$130.61  
 5135-216  
**711-3NA 44** For 5/8"x3/4" and 3/4" meter..... \$130.61  
 5135-205



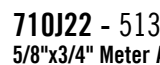
**Pressure Relief Valve**  
 1/2" MNPT thread  
**710P125** 125 lb. rated ..... \$55.10  
 5137-184  
**710P175** 175 lb. rated ..... \$65.65  
 5137-197



**Plug**  
**73208 1/2"** ..... \$15.92  
 5126-107



**710J11 - 5137-018**  
**5/8" Meter Adapter Idler** ..... \$71.79  
 3 3/4" long with gasket, adapts basic 710 Series unit (less backflow preventer) to 7 1/2" laying length 5/8" meter



**710J22 - 5137-185**  
**5/8"x3/4" Meter Adapter Idler** ..... \$75.72  
 3 3/4" long with gasket, adapts basic 710 Series unit (less backflow preventer) to 7 1/2" laying length 5/8 X 3/4 meter



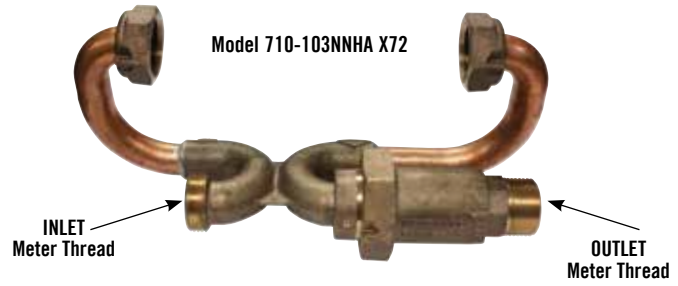
**710J23 - 5137-187**  
**1/2" Meter Adapter Idler** ..... \$22.95  
 1 1/2" long with gasket. Use with 710 Series unit and backflow preventer to increase laying length 3/4" meter



# Copper Meter Resetters

## 710 Series

FOR 5/8", 5/8" X 3/4" OR 3/4" METERS  
 CONFINED SPACE METER RESETTER



Part No.	5/8" Meter Size	Carton PCS/WT	Price
5137-050	710-103NN-- X72	8/16	\$164.61

Part No.	5/8" x 3/4" Meter Size	Carton PCS/WT	Price
5137-124	710-203NN-- X72	8/19	\$164.61

Part No.	3/4" Meter Size	Carton PCS/WT	Price
	710-303NN-- X72	5/20	\$185.85

### Contact Factory for the following:

1. Cross size resetters available.
  2. 60°, 45°, 180° tube rotation available.
  3. Test/PRV taps available.
  4. Stainless steel or brass handles assembled to ball valves available
  5. Pentagon plug test valve on check valve available
  6. Left offset is available upon special request
  6. LESS CHECK / 360° TURN OPERATING HEAD, less check on ball valve, **Add \$2.95**
- Contact Factory for pricing

- NOTES:**
- Meter nuts less saddle, wire seal hole, and angle ball valves with lockwing are standard.
  - Series 710 is typically viewed from the inlet side, and is fabricated as a "left offset". This is critical when considering tap locations.
  - Thermal expansion tank and hose available, contact factory.

Tap Options - 1/2"	Price
A - Tap - no plug - city side	\$13.81
B - Tap - no plug - house side	\$13.81
L - Tap - with 125 lb. pressure relief valve - city side	\$69.31
D - Tap - with 125 lb. pressure relief valve - house side	\$69.31
E - Tap - with 175 lb. pressure relief valve - city side	\$69.31
F - Tap - with 175 lb. pressure relief valve - house side	\$69.31
G - Tap - with brass sq. head plug - city side	\$29.72
H - Tap - with brass sq. head plug - house side	\$29.72
S - Tap - sample station - city side	
T - Tap - sample station - house side	

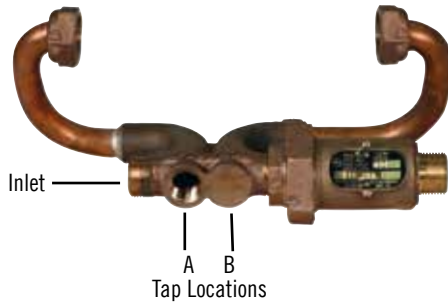
### Single Setter (Less Saddle on Nut)

Options - add or subtract from base setter model		1	2	3
		5/8"	5/8" x 3/4"	3/4"
Standard Ball Valve	<b>Q</b>	\$83.78	\$83.78	\$83.78
Meter Swivel Nut	<b>N</b>	N/C	N/C	N/C
Nothing Attached To Bottom Bar	-	N/C	N/C	N/C
Dual Check - ASSE - City Side	<b>C</b>	\$130.61	\$130.61	\$130.61
Dual Check - ASSE - House Side	<b>H</b>	\$130.61	\$130.61	\$130.61
Idle - House Side	<b>J</b>	\$75.72	\$75.72	\$98.67
UFR - House Side	<b>U</b>	\$292.06	\$292.06	\$292.06

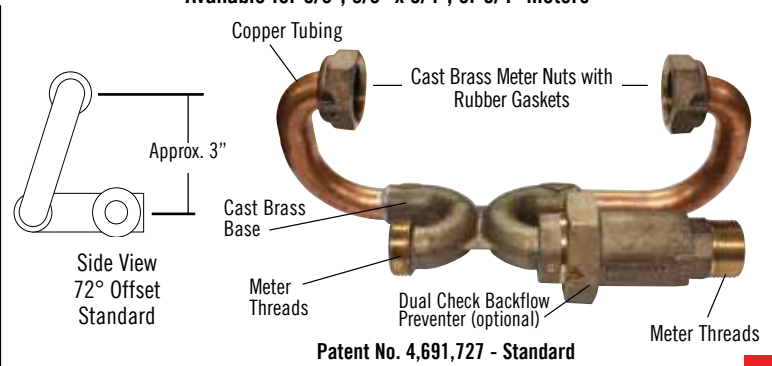




## Sampling Station



**Model 710-103NNHA X72**



**Model 710-203NNH- X72**

<b>710</b>	<b>-</b>	<b>1</b>	<b>03</b>	<b>N</b>	<b>N</b>	<b>H</b>	<b>A</b>		<b>X72</b>
<b>Series 710</b>	- = Standard <b>Bottom Bar Cross Size</b> A = 5/8" B = 5/8"x3/4" C = 3/4"	<b>Meter Size</b> 1 = 5/8" 2 = 5/8"x3/4" 3 = 3/4"	<b>Height</b> 3" 6"	<b>Inlet</b> N = No valve (meter nut only without saddle) Q = Lockwing ball valve (without saddle)	<b>Outlet</b>	<b>Bottom Bar Options</b>	<b>1/2" Bottom Bar Tap</b>	<b>Space</b>	<b>Tube Offset</b>

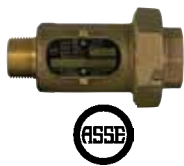
\*For angle ball valves integral to resetter, contact factory.  
- Resetters with cross-size meter sets are available, contact factory.

- = No option
- C = Dual check on inlet
- H = Dual check on outlet
- J = Adapter idler (sized to fit meter)

- = No tap
- A = Tap inlet, no plug
- B = Tap outlet, no plug
- L = Tap inlet, 125# PRV
- D = Tap outlet, 125# PRV
- E = Tap inlet, 175# PRV
- F = Tap outlet, 175# PRV
- G = Tap inlet, with plug
- H = Tap outlet, with plug
- T = 1/2" Tap for Sample Station, House Side
- S = Sampling Station (Inlet is city side, outlet is house side)

Copper Meter Resetters

## Ordering Options Separately



**Dual Check Backflow Preventer (Inlet side)**  
**Inlet:** Male meter thread  
**Outlet:** Female meter thread (union)  
**711-3AN 33** For 5/8" meter ..... \$130.61  
 5135-218  
**711-3AN 44** For 5/8"x3/4" and 3/4" meter .... \$130.61  
 5135-207



**Dual Check Backflow Preventer (Outlet side)**  
**Inlet:** Female meter thread (union)  
**Outlet:** Male meter thread  
**711-3NA 33** For 5/8" meter ..... \$130.61  
 5135-216  
**711-3NA 44** For 5/8"x3/4" and 3/4" meter..... \$130.61  
 5135-205



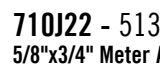
**Pressure Relief Valve**  
 1/2" MNPT thread  
**710P125** 125 lb. rated ..... \$55.10  
 5137-184  
**710P175** 175 lb. rated ..... \$65.65  
 5137-197



**Plug**  
**73208 1/2"** ..... \$15.92  
 5126-107



**710J11 - 5137-018**  
**5/8" Meter Adapter Idler** ..... \$71.79  
 3 3/4" long with gasket, adapts basic 710 Series unit (less backflow preventer) to 7 1/2" laying length 5/8" meter



**710J22 - 5137-185**  
**5/8"x3/4" Meter Adapter Idler** ..... \$75.72  
 3 3/4" long with gasket, adapts basic 710 Series unit (less backflow preventer) to 7 1/2" laying length 5/8 X 3/4 meter



**710J23 - 5137-187**  
**1/2" Meter Adapter Idler** ..... \$22.95  
 1 1/2" long with gasket. Use with 710 Series unit and backflow preventer to increase laying length 3/4" meter



## Sampling Station

A.Y. McDonald offers a variety of water Sampling Stations to include meter resetting devices for 5/8", 5/8" x 3/4", 3/4" and 1" meter sets along with a Dead End Line option. The basic sampling station meter re-setter is compact enough to fit in most meter boxes and allows a sampling station to be added wherever you have access to a meter set. These meter resetters provide a sampling point on public right-of-way; options for additional shut off valves, and/or dual check valves for backflow protection. Its below grade design provides protection from freezing, vandals and traffic. Simple to install, no digging or plumbing is required.

The sampling portion of these re-setters is protected from contaminants by a PVC cap and o-ring seal. Once the cap is removed, it allows you access to a quick connect valve for taking water samples with our sampling rod faucet. The sampling rod faucet is made of stainless steel and no-lead brass and includes a no-lead shut off valve. It also includes a pressure gauge for determining line pressure at the point of sample, up to 160 PSIG. The quick disconnect is protected from contaminants via o-ring seal and PVC cap. A water sample is drawn by connecting the male quick connect on the sampling rod to the female quick connect on the sampling re-setter.

### 710-103/203

5/8" or 5/8" x 3/4" Meter Resetter, 3" Height with In-Line Dual Cartridge Check Valve and tube set at 72° angle with Quick Connect Valve and ABS Plastic Dirt Cap



Part No.	Model	Size	Carton PCS/WT	Price
5037-001	710-103NNHS X72	5/8"	1/6	\$1,027.57
5037-002	710-203NNHS X72	5/8" x 3/4"	1/6	\$985.23

### 710-303

3/4" Meter Resetter, 3" Height with In-Line Dual Cartridge Check Valve and tube set at 72° angle with Quick Connect Valve and ABS Plastic Dirt Cap

Part No.	Model	Size	Carton PCS/WT	Price
5037-003	710-303NNHS X72	3/4"	1/7	\$1,136.40

### 717-406XXAS X60

1" Meter Resetter, 6" Height with tube set at 60° angle with Quick Connect Valve and ABS Plastic Dirt Cap

Part No.	Model	Size	Carton PCS/WT	Price
5037-005	717-406XXAS X60	1"	1/9	\$1,325.87

### 717-406XDAS X60

1" Meter Resetter, 6" Height with Angle Dual Cartridge Check Valve and tube set at 60° angle with Quick Connect Valve and ABS Plastic Dirt Cap

Part No.	Model	Size	Carton PCS/WT	Price
5037-004	717-406XDAS X60	1"	1/10	\$1,815.45

### 717-406WDAS X60

1" Meter Resetter, 6" Height with Angle Ball Valve, Dual Cartridge Check Valve and tube set at 60° angle with Quick Connect Valve and ABS Plastic Dirt Cap

Part No.	Model	Size	Carton PCS/WT	Price
5037-006	717-406WDAS X60	1"	1/12	\$1,983.56

### 710SSFAUCET

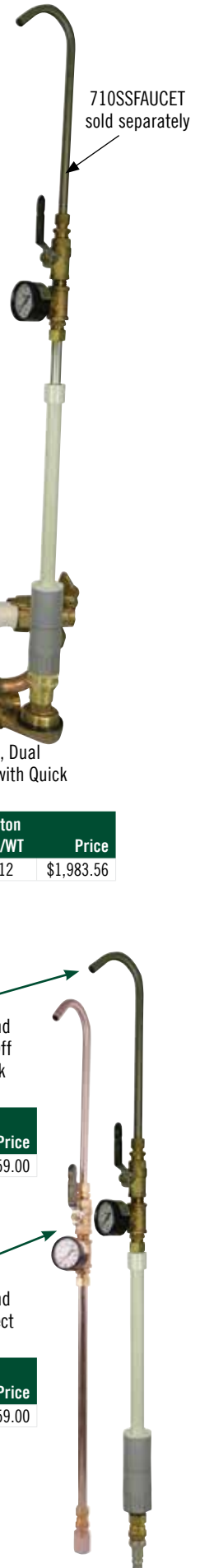
Sampling Faucet Assembly with Stainless Steel and No-Lead Components, Male Quick Connect, Shut Off Valve, Pressure Gauge (0-160 PISG) and PVC Quick Connect Deactivator.

Part No.	Model	Carton PCS/WT	Price
5037-008	710SSFAUCET	1/3	\$559.00

### 710SSFAUCET x780

Sampling Faucet Assembly with Stainless Steel and No-Lead Components, Female Quick Thread Connect Type, Shut Off Valve, Pressure Gauge (0-160 PISG)

Part No.	Model	Carton PCS/WT	Price
5037-029	710SSFAUCET x780	1/3	\$559.00



## Sampling Station



### 710SSDEA

Dead End Unit to include 3/4" FNPT Union x Quick Connect Dual Check Valve, PVC Mounting Stake and ABS Plastic Dirt Cap with O-Ring

Part No.	Model	Carton PCS/WT	Price
5037-007	710SSDEA	1/8	\$762.56

### 710SSGAGE

Sampling Faucet Pressure Gauge (0-160 PSIG)



Part No.	Model	Carton PCS/WT	Price
5037-010	710SSGAGE	10/2	\$53.19

### 710SSRP

Sampling Valve Quick Connect Overhaul Kit

Part No.	Model	Carton PCS/WT	Price
5037-017	710SSRP	1/1	\$55.92

### 710SSDESM

PVC Mounting Stake



Part No.	Model	Carton PCS/WT	Price
4037-015	710SSDESM	1/1	\$57.15

### 74754-SMP 3/4"

Adapter FNPT x Quick Connect



Part No.	Model	Carton PCS/WT	Price
5037-018	74754-SMP 3/4"	10/10	\$631.97

### 76101W-SMP 3/4"

Ball Curb FNPT x Quick Connect



Part No.	Model	Carton PCS/WT	Price
5037-019	76101WSMP 3/4"	10/23	\$750.61

### 710SSCAP

ABS Plastic Dirt Cap



Part No.	Model	Carton PCS/WT	Price
4037-013	710SSCAP	1/1	\$57.93

### 710SSDEA-LCV

Dead End Unit to include 3/4" FNPT Union x Quick Connect Less Dual Check Valve with ABS Plastic Dirt Cap with O-Ring

Part No.	Model	Carton PCS/WT	Price
5037-021	710SSDEA-LCV	1/2	\$606.24



### 710SSQC x780

Brass Elbow and Stainless Steel Quick Thread Connect

Part No.	Model	Carton PCS/WT	Price
5037-028	710SSQC x780	1/2	\$355.71



### 710SSQC

Brass Elbow and Quick Connect Valve Assembly

Part No.	Model	Carton PCS/WT	Price
5037-012	710SSQC	1/2	\$355.71



### 710-203NNHS x72

Meter Resetter Sampling Station with Quick Connection

Part No.	Model	Carton PCS/WT	Price
5037-002	710-203NNHS x72	1/6	\$985.23



### 74754-SMP 3/4" x 780

Adapter FNPT x Stainless Steel Quick Thread Connect



Part No.	Model	Carton PCS/WT	Price
5037-026	74754-SMP 3/4" x 780	10/10	\$631.97

### 76101W-SMP 3/4" x 780

Ball Curb FNPT x Stainless Steel Quick Thread Connect



Part No.	Model	Carton PCS/WT	Price
5037-025	76101WSMP 3/4" x 780	10/23	\$750.61

### 710SSQCM

Sampling Faucet Male Quick Disconnect



Part No.	Model	Carton PCS/WT	Price
4037-009	710SSQCM	10/3	\$68.56

### 710SSQCF X780

Sampling Valve Female Stainless Steel Thread Connect Repair Kit

Part No.	Model	Carton PCS/WT	Price
5037-024	710SSQCF X780	1/1	\$119.63

### 710SSOR

Dirt Cap O-Ring



Part No.	Model	Carton PCS/WT	Price
4037-014	710SSOR	10/1	\$9.00

### 710-203NNHS x72x780

Meter Resetter Sampling Station with Stainless Steel Quick Thread Connection



Part No.	Model	Carton PCS/WT	Price
5037-027	710-203NNHS x72 x780	1/6	\$985.23

### 710SSRP

Sampling Valve Quick Connect Repair Kit

Part No.	Model	Carton PCS/WT	Price
5037-017	710SSRP	1/1	\$55.92

### 710SSQCRP

Sampling Valve Quick Connect Replacement

Part No.	Model	Carton PCS/WT	Price
5037-034	710SSQCRP	1/1	\$213.52

### 710SSQCRP X780

Sampling Valve Stainless Steel Quick Thread Connect Replacement



Part No.	Model	Carton PCS/WT	Price
5037-023	710SSQCRP X780	1/1	\$213.52

### 710SSCASE

Sampling Faucet PVC Case



Part No.	Model	Carton PCS/WT	Price
4037-011	710SSCASE	1/9	\$248.21

### 710SSFAUCETCAP

Sampling Rod Cap

Model	Carton PCS/WT	Price	
4037-036	710SSFAUCETCAP	10	\$78.08

### 710SSFAUCETSLEEVE

Sampling Rod Sleeve

Part No.	Model	Carton PCS/WT	Price
4037-035	710SSFAUCET-SLEEVE	10	\$132.99

### 710SSFAUCETLG x36x90

Sampling Rod Assembly

Part No.	Model	Carton PCS/WT	Price
5037-030	710SSFAUCETLG x36x90	1/3	\$622.92



## 717 Series

### Low Rise Style Resetter

90° tubing to bottom bar is standard, contact factory for other options.

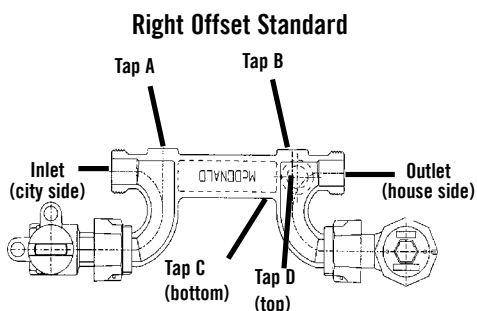
The A.Y. McDonald 717 Series low rise resetter allows you to reset a meter incorporating an inlet or outlet shut off valve or check valve. It also offers several options for taps to incorporate pressure relief valves or sampling valves before or after the meter. Ninety degree tubing to bottom bar is standard, other options are available (contact factory for information).



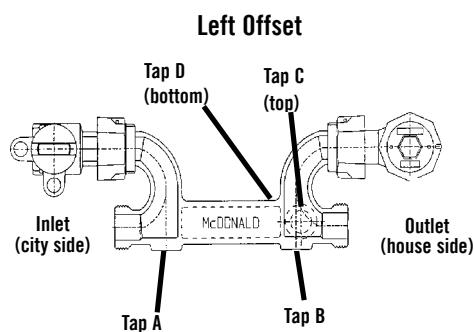
### Model 717-204WX - -

<b>717</b>	<b>-</b>	<b>2</b>	<b>04</b>	<b>W</b>	<b>X</b>	<b>-</b>	<b>-</b>	
Series	Style	Meter Size	Meter Height	Inlet	Outlet	Bottom Bar Tap Location	FNPT Bottom Bar Tap	Tube Offset
717	- = Standard (Right Offset) X = Offset Left	1 = 5/8" 2 = 5/8" x 3/4" 3 = 3/4" 4 = 1"	4" (5/8", 5/8" x 3/4", 3/4" meters) 6" (1" meters) Additional heights available, contact factory			- = No Tap A = Inlet B = Outlet C = Outlet D = Outlet		X45 = 45° X60 = 60° X180 = 180°
<b>For crossed sized meter sets</b> A = 5/8" (Standard) B = 5/8" x 3/4" (Standard) C = 3/4" (Standard)		<b>For Offset Left Cross Sized</b> U = 5/8" (Offset Left) V = 5/8" x 3/4" (Offset Left) W = 3/4" (Offset Left)		C = Full Port Angle Single Check Valve D = 3/4" Port Angle Dual Check Valve (ASSE 1024) L = Angle lockwing Plug valve J = Full Port Angle Lockwing Ball Valve M = 1" Port Angle Dual Check Valve (ASSE 1024) 1" Meter Only W = Standard Port Angle Lockwing Ball Valve X = Flanged Tubing with Meter Nut For other special meter connections, contact factory.		See chart below for tap position - = No tap A = 1/2" FNPT - no plug B = 1/2" FNPT - with brass square head plug C = 1/2" FNPT - 125# PRV D = 3/4" FNPT - no plug (only 1" resetter) E = 3/4" FNPT - with brass square head plug (only 1" resetter) S = Sampling Station		

### Tap Position Options



Put "-" In Model Number



Put "X" In Model Number

Series 717 is typically viewed from the inlet side, and is fabricated as a "right offset" (see photo above and at right). This is critical when considering tap locations. Left offset is available upon special request - contact factory.

### OPTIONS

- Assemblies shipped with two 1/8" EPDM rubber meter gaskets.
- Not all combinations available, contact factory with your requirements.

- MOST METER SETTERS ARE MADE TO ORDER AND ARE NOT RETURNABLE.
- Please verify with the factory that the model number you have configured is available and meets your requirements.



## 717 Series

FOR 5/8", 5/8" X 3/4", 3/4", OR 1" METERS

### LOW RISE HORIZONTAL IN/OUT METER RESETTERS



Model 717-204WX - -

Part No.	5/8" Meter Size	Carton PCS/WT	Price
5164-039	717-104WX--	6/28	\$230.57

Part No.	5/8" x 3/4" Meter Size	Carton PCS/WT	Price
5164-022	717-204WX--	6/30	\$230.57

Part No.	3/4" Meter Size	Carton PCS/WT	Price
5164-182	717-304WX--	6/28	\$246.44

Part No.	1" Meter Size	Carton PCS/WT	Price
5164-051	717-406WX--	3/27	\$566.20

#### Contact Factory for the following:

1. Cross size resetters available.
2. 60°, 45°, 180° tube rotation available.
3. Test/PRV taps available.
4. Stainless steel or brass handles assembled to ball valves available — Contact Factory for pricing
5. Pentagon plug test valve on check valve available
6. Left offset is available upon special request
6. LESS CHECK / 360° TURN OPERATING HEAD, less check on ball valve, **Add \$2.95**

**NOTES:** - Meter nuts with saddle, wire seal hole, and angle ball valves with locking are standard.  
 - Series 717 is typically viewed from the inlet side, and is fabricated as a "right offset" (see diagram shown below). This is critical when considering tap locations.  
 - Thermal expansion tank and hose available, contact factory.

Tap Options	Price
A - 1/2" tap - no plug	\$13.81
B - 1/2" tap - with brass sq. head plug	\$25.24
C - 1/2" tap - with 125 lb. pressure relief valve	\$79.33
D - 3/4" tap - no plug (only on 1" resetters)	\$18.35
E - 3/4" tap - with brass sq. head plug (only on 1" resetters)	\$32.08
F - 1/4" tap - no plug	\$13.81
G - 1/2" tap x 3/4" NPSM Adapter - no plug	\$42.63

Single Setter (with Saddle Nut)		1	2	3	4
Options - add or subtract from base setter model		5/8"	5/8" x 3/4"	3/4"	1"
Standard Ball Valve	W	\$83.78	\$83.78	\$83.78	\$168.10
Full Port Ball Valve	J	\$152.98	\$152.98	\$152.98	\$230.45
Plug Valve	L	\$68.94	\$68.94	\$68.94	\$105.69
Single Check Valve	C	\$76.06	\$76.06	\$76.06	\$91.41
Dual Check - ASSE - Standard	D	\$153.13	\$153.13	\$153.13	\$145.22
Dual Check - Stacked	D* x 995	See "D" above	See "D" above	See "D" above	See "D" above
Dual Check - Cascading	D* x 992	\$139.73	\$139.73	\$139.73	\$145.23
Dual Check - ASSE - Full Port	M	See "D" above	See "D" above	See "D" above	\$265.79
Meter Swivel Nut	X	N/C	N/C	N/C	N/C
Additional height in 3" increments		\$9.36	\$9.36	\$12.91	\$15.00

#### Contact Factory for the following options:

1. Handles for ball valves
2. Test cap on check valves
3. 360° turn valve cap (less check)



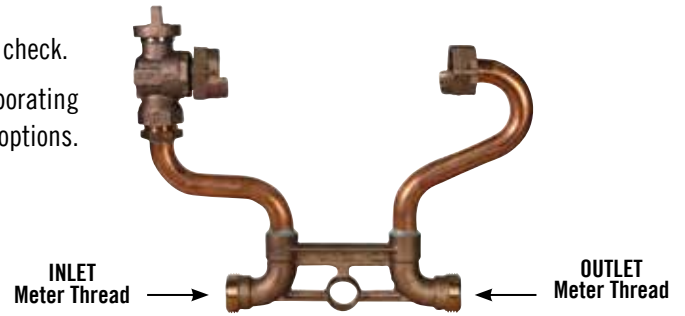


## 718 Series

### Horizontal Style Resetter

Minimum 10" height on 1" resetters, or 12" on 1" resetter with angle dual check.

The A.Y. McDonald 718 horizontal resetter allows you to reset a meter incorporating an inlet or outlet shut off valve or check valve while offering several height options. Depending on valve configurations, minimum heights may vary.



### Model 718-207WX

718	-	2	07	W	X
Series	Style	Meter Size	Meter Height	Inlet	Outlet
718	- = Standard 13/16 Tube 5/8", 5/8" x 3/4", 3/4" 1 1/8 tube 1"	1 = 5/8" 2 = 5/8" x 3/4" 3 = 3/4" 4 = 1"	07" (5/8", 5/8" x 3/4", 3/4" meters only) 09" (5/8", 5/8" x 3/4", 3/4" meters only)		
	For crossed sized meter sets A = 5/8" B = 5/8" x 3/4" C = 3/4"		10" 12" 15" 18" 21" 24" 27" 18" and taller includes brace support bar Additional heights available, contact factory.		

- C = Full Port Angle Single Check Valve
  - D = 3/4" Port Angle Dual Check Valve (ASSE 1024)
  - L = Angle lockwing Plug valve
  - J = Full Port Angle Lockwing Ball Valve
  - M = 1" Port Angle Dual Check Valve (ASSE 1024) 1" Meter Only
  - W = Standard Port Angle Lockwing Ball Valve
  - X = Flanged Tubing with Meter Nut
- For other special meter connections, contact factory.

#### For Tandem Series

#### 758 Series Horizontal Tandem Setter



**Example 758-207QN**  
Tandem resetters are supplied with adapters and "S" tube. Please specify device length and threads when ordering.

- A = Full Port Angle Single Check Valve
- F = 3/4" Port Angle Dual Check Valve (ASSE 1024)
- G = Angle Lockwing Plug Valve
- K = Full Port Angle Lockwing Ball Valve
- N = Flanged Tubing with Meter Nut
- P = 1" Port Angle Dual Check Valve (ASSE 1024)
- Q = Standard Port Angle Lockwing Ball Valve

**NOTE:** Unless specified all tandem components have meter nuts without support lip.

- Standard device for 5/8", 5/8" x 3/4", 3/4" = 4"- 5" Long FNPT x FNPT
- Standard device for 1" = 5"- 6" Long FNPT x FNPT

#### OPTIONS

- Assemblies shipped with two 1/8" EPDM rubber meter gaskets.
- **Not all combinations available, contact factory with your requirements.**
- **MOST METER SETTERS ARE MADE TO ORDER AND ARE NOT RETURNABLE.**
- Please verify with the factory that the model number you have configured is available and meets your requirements.





## 718 Series

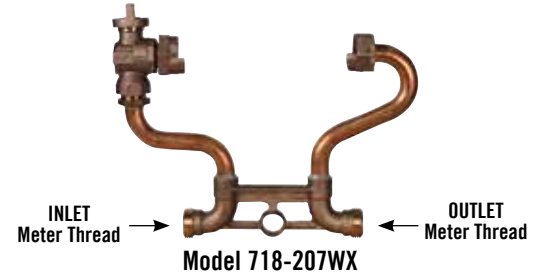
FOR 5/8", 5/8" X 3/4", 3/4", OR 1" METERS

Horizontal Style

Part No.	5/8" Meter Size	Carton PCS/WT	Price
5155-464	718-107WX	6/24	\$205.54
5155-470	718-109WX	6/25	\$208.10
5155-476	718-112WX	6/27	\$215.16
5155-482	718-115WX	6/30	\$224.01
5155-488	718-118WX	6/33	\$253.94
	718-121WX	6/35	\$262.34
5157-113	718-124WX	6/36	\$271.50

Part No.	5/8" x 3/4" Meter Size	Carton PCS/WT	Price
5134-135	718-207WX	6/26	\$213.63
5134-136	718-209WX	6/27	\$216.10
5134-137	718-212WX	6/28	\$223.16
5134-138	718-215WX	6/30	\$231.92
5134-139	718-218WX	6/40	\$262.26
5157-083	718-221WX	6/33	\$270.66
5140-201	718-224WX	6/33	\$279.78

Part No.	3/4" Meter Size	Carton PCS/WT	Price
5155-494	718-307WX	6/27	\$261.67
5156-000	718-309WX	6/27	\$261.67
5156-006	718-312WX	6/30	\$269.08
5156-012	718-315WX	6/42	\$278.96
5156-018	718-318WX	6/39	\$312.87
5150-243	718-321WX	6/35	\$327.67
5140-205	718-324WX	6/45	\$348.19



Part No.	1" Meter Size	Carton PCS/WT	Price
5157-034	718-410WX	3/23	\$442.10
5157-043	718-412WX	3/23	\$451.09
5157-044	718-415WX	3/24	\$461.97
5157-045	718-418WX	3/27	\$526.40
5157-086	718-421WX	3/33	\$549.85
5157-046	718-424WX	3/34	\$566.96

### Single Setter (with Saddle Nut)

		1	2	3	4
Options - add or subtract from base setter model		5/8"	5/8" x 3/4"	3/4"	1"
Standard Ball Valve	W	\$83.78	\$83.78	\$83.78	\$168.10
Full Port Ball Valve	J	\$152.98	\$152.98	\$152.98	\$230.45
Plug Valve	L	\$68.94	\$68.94	\$68.94	\$105.69
Single Check Valve	C	\$76.06	\$76.06	\$76.06	\$91.41
Dual Check - ASSE - Standard	D	\$153.13	\$153.13	\$153.13	\$145.22
Dual Check - Stacked	D* x 995	See "D" above	See "D" above	See "D" above	See "D" above
Dual Check - Cascading	D* x 992	\$139.73	\$139.73	\$139.73	\$145.23
Dual Check - ASSE - Full Port	M	See "D" above	See "D" above	See "D" above	\$265.79
Meter Swivel Nut	X	N/C	N/C	N/C	N/C
Additional height in 3" increments		\$9.36	\$9.36	\$12.91	\$15.00

### Tandem Setter (less Saddle Nut)

		1	2	3	4
Options - add or subtract from base setter model		5/8"	5/8" x 3/4"	3/4"	1"
Standard Ball Valve	Q	\$83.78	\$83.78	\$83.78	\$168.10
Full Port Ball Valve	K	\$152.98	\$152.98	\$152.98	\$230.45
Plug Valve	G	\$68.94	\$68.94	\$68.94	\$105.69
Single Check Valve	A	\$76.06	\$76.06	\$76.06	\$91.41
Dual Check - ASSE - Standard	F	\$153.13	\$153.13	\$153.13	\$145.22
Dual Check - Stacked	F* x 995	See "F" above	See "F" above	See "F" above	See "F" above
Dual Check - Cascading (* adds x992 to end of model)	F* x 992	\$139.73	\$139.73	\$139.73	\$145.23
Dual Check - ASSE - Full Port	P	See "F" above	See "F" above	See "F" above	\$265.79
Meter Swivel Nut	N	N/C	N/C	N/C	N/C
Tandem adder	7" - 9"	\$164.99	\$176.27	\$214.30	-
	12"	\$164.99	\$176.27	\$215.67	\$321.87
	15"	\$145.05	\$156.26	\$195.74	\$321.87
	18" - 21"	\$149.73	\$161.10	\$200.54	\$321.87
	24" & Above	\$149.73	\$161.10	\$200.54	\$337.85

Tandem Setters or resetters include (2) 74619 connections and "S" tube with meter swivel nuts

- NOTES:**
- 12" minimum height for 1" setter with ASSE dual cartridge check valve
  - 10" minimum height for 1" setter with ASSE cascading dual check valve or meter swivel
  - Horizontal bracing eye, wire seal hole and lockwing are standard.
  - N/C = No additional charge.

**Contact Factory for the following options:**

1. Handles for ball valves
2. Test cap on check valves
3. 360° turn valve cap (less check)



## 719 Series

### Vertical Style Resetter - Meter Thread x Meter Thread

The A.Y. McDonald 719 vertical to horizontal resetter allows you to reset a meter currently in a vertical position to a horizontal position incorporating an inlet or outlet shut off valve or check valve.

- Meter swivel nuts are less saddle



**Model 719-2**

<b>719</b>	<b>-</b>	<b>2</b>	<b>--</b>	<b>Q</b>	<b>F</b>
Series	Style	Meter Size	Meter Height	Inlet	Outlet
719	- = Standard 13/16 Tube 5/8", 5/8" x 3/4", 3/4" 1 1/8 tube 1"	1 = 5/8" 2 = 5/8" x 3/4" 3 = 3/4" 4 = 1"	- = Standard For special heights, contact factory.	A = Full Port Angle Single Check Valve F = 3/4" Port Angle Dual Check Valve (ASSE 1024) G = Angle Lockwing Plug Valve K = Full Port Angle Lockwing Ball Valve N = Flanged Tubing with Meter Nut P = 1" Port Angle Dual Check Valve (ASSE 1024) Q = Standard Port Angle Lockwing Ball Valve Z = Brass Elbow	
	For crossed sized meter sets A = 5/8" B = 5/8" x 3/4" C = 3/4"				

#### OPTIONS

- Assemblies shipped with two 1/8" EPDM rubber meter gaskets.
- **Not all combinations available, contact factory with your requirements.**
- **MOST METER SETTERS ARE MADE TO ORDER AND ARE NOT RETURNABLE.**
- Please verify with the factory that the model number you have configured is available and meets your requirements.



## 719 Series

FOR 5/8", 5/8" X 3/4", 3/4", OR 1" METERS

Vertical Resetters

Part No.	5/8" Meter Size	Carton PCS/WT	Price
5136-139	719-1	6/18	\$118.72



Model 719-2

Part No.	5/8" x 3/4" Meter Size	Carton PCS/WT	Price
5136-140	719-2	6/18	\$126.56

Part No.	3/4" Meter Size	Carton PCS/WT	Price
5136-141	719-3	6/18	\$139.24

Part No.	1" Meter Size	Carton PCS/WT	Price
5136-147	719-4	6/36	\$295.01

### Single Setter (with Saddle Nut)

Options - add or subtract from base setter model		1	2	3	4
		5/8"	5/8" x 3/4"	3/4"	1"
Standard Ball Valve	W	\$83.78	\$83.78	\$83.78	\$168.10
Full Port Ball Valve	J	\$152.98	\$152.98	\$152.98	\$230.45
Plug Valve	L	\$68.94	\$68.94	\$68.94	\$105.69
Single Check Valve	C	\$76.06	\$76.06	\$76.06	\$91.41
Dual Check - ASSE - Standard	D	\$153.13	\$153.13	\$153.13	\$145.22
Dual Check - Stacked	D* x 995	See "D" above	See "D" above	See "D" above	See "D" above
Dual Check - Cascading	D* x 992	\$139.73	\$139.73	\$139.73	\$145.23
Dual Check - ASSE - Full Port	M	See "D" above	See "D" above	See "D" above	\$265.79
Meter Swivel Nut	X	N/C	N/C	N/C	N/C
Additional height in 3" increments		\$9.36	\$9.36	\$12.91	\$15.00

Contact Factory for the following options:

1. Handles for ball valves
2. Test cap on check valves
3. 360° turn valve cap (less check)



Model 719-2--QF



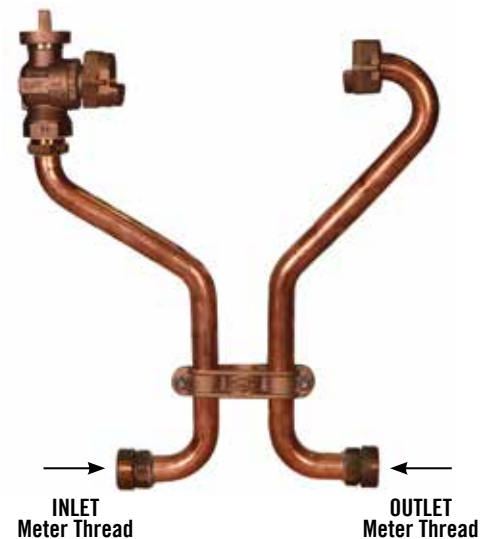
## 768 Series

FOR 5/8", 5/8" X 3/4", 3/4", OR 1" METERS

Horizontal "F" Style Flexible Resetter

Minimum 15" height on 1" resetters.

The A.Y. McDonald 768 horizontal "F Style" (Flexible) resetter allows you to reset a meter incorporating an inlet or outlet shut off valve or check valve. It also offers several height options and flexibility if existing set is not aligned correctly.



### Model 768-212WX

<b>768</b>	<b>-</b>	<b>2</b>	<b>12</b>	<b>W</b>	<b>X</b>
Series	Style	Meter Size	Meter Height	Inlet	Outlet
768	- = Standard 13/16 Tube 5/8", 5/8" x 3/4", 3/4" 1 1/8 tube 1"	1 = 5/8" 2 = 5/8" x 3/4" 3 = 3/4" 4 = 1"	12" 15" 18" 21" 24" Additional heights available, contact factory.		
	For crossed sized meter sets A = 5/8" B = 5/8" x 3/4" C = 3/4"			<b>C</b> = Full Port Angle Single Check Valve <b>D</b> = 3/4" Port Angle Dual Check Valve (ASSE 1024) <b>L</b> = Angle lockwing Plug valve <b>J</b> = Full Port Angle Lockwing Ball Valve <b>M</b> = 1" Port Angle Dual Check Valve (ASSE 1024) <b>W</b> = Standard Port Angle Lockwing Ball Valve <b>X</b> = Flanged Tubing with Meter Nut For other special meter connections, contact factory.	

#### For Tandem Series

**761 Series Horizontal Tandem Setter**



**Example 761-112QN**  
Tandem resetters are supplied with adapters and "S" tube. Please specify device length and threads when ordering.

- A** = 3/4" & 1" Port Angle Single Check Valve
- F** = 3/4" Port Angle Dual Check Valve (ASSE 1024)
- G** = Angle Lockwing Plug Valve
- K** = 3/4" & 1" Port Angle Lockwing Ball Valve
- N** = Flanged Tubing with Meter Nut
- P** = 1" Port Angle Dual Check Valve (ASSE 1024)
- Q** = Standard Port Angle Lockwing Ball Valve
- Z** = Brass Elbow

**NOTE:** Unless specified all tandem components have meter nuts without support lip.

- Standard device for 5/8", 5/8" x 3/4", 3/4" = 4" - 5" Long FNPT x FNPT
- Standard device for 1" = 5" - 6" Long FNPT x FNPT

#### OPTIONS

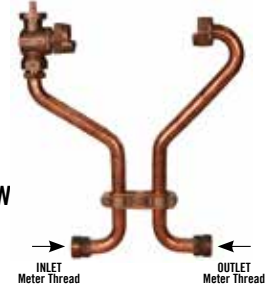
- Assemblies shipped with two 1/8" EPDM rubber meter gaskets.
- **Not all combinations available, contact factory with your requirements.**
- **MOST METER SETTERS ARE MADE TO ORDER AND ARE NOT RETURNABLE.**
- Please verify with the factory that the model number you have configured is available and meets your requirements.



## 768 Series

FOR 5/8", 5/8" X 3/4", 3/4", OR 1" METERS

Horizontal Inlet and Outlet "F" Style Meter Resetters



Model 768-212W

Part No.	5/8" Meter Size	Carton PCS/WT	Price
5147-016	768-112WX	6/27	\$245.90
	768-115WX	6/30	\$252.38
5147-274	768-118WX	6/33	\$273.83
	768-121WX	6/36	\$285.96
	768-124WX	3/20	\$295.61

Part No.	5/8" x 3/4" Meter Size	Carton PCS/WT	Price
5147-017	768-212WX	6/29	\$260.16
5147-021	768-215WX	6/29	\$266.60
	768-218WX	6/30	\$288.11
	768-221WX	6/32	\$300.23
	768-224WX	3/17	\$309.81

Part No.	3/4" Meter Size	Carton PCS/WT	Price
5147-486	768-312WX	6/30	\$302.97
5145-462	768-315WX	6/33	\$317.16
	768-318WX	6/36	\$334.26
	768-321WX	6/39	\$347.27
	768-324WX	3/21	\$360.88

Part No.	1" Meter Size	Carton PCS/WT	Price
	768-415WX	6/45	\$517.28
	768-418WX	6/48	\$556.34
	768-421WX	6/51	\$590.48
5147-398	768-424WX	3/27	\$595.19

### Single Setter (with Saddle Nut)

		1	2	3	4
Options - add or subtract from base setter model		5/8"	5/8" x 3/4"	3/4"	1"
Standard Ball Valve	W	\$83.78	\$83.78	\$83.78	\$168.10
Full Port Ball Valve	J	\$152.98	\$152.98	\$152.98	\$230.45
Plug Valve	L	\$68.94	\$68.94	\$68.94	\$105.69
Single Check Valve	C	\$76.06	\$76.06	\$76.06	\$91.41
Dual Check - ASSE - Standard	D	\$153.13	\$153.13	\$153.13	\$145.22
Dual Check - Stacked	D* x 995	See "D" above	See "D" above	See "D" above	See "D" above
Dual Check - Cascading	D* x 992	\$139.73	\$139.73	\$139.73	\$145.23
Dual Check - ASSE - Full Port	M	See "D" above	See "D" above	See "D" above	\$265.79
Meter Swivel Nut	X	N/C	N/C	N/C	N/C
Additional height in 3" increments		\$9.36	\$9.36	\$12.91	\$15.00

### Tandem Setter (less Saddle Nut)

		1	2	3	4
Options - add or subtract from base setter model		5/8"	5/8" x 3/4"	3/4"	1"
Standard Ball Valve	Q	\$83.78	\$83.78	\$83.78	\$168.10
Full Port Ball Valve	K	\$152.98	\$152.98	\$152.98	\$230.45
Plug Valve	G	\$68.94	\$68.94	\$68.94	\$105.69
Single Check Valve	A	\$76.06	\$76.06	\$76.06	\$91.41
Dual Check - ASSE - Standard	F	\$153.13	\$153.13	\$153.13	\$145.22
Dual Check - Stacked	F* x 995	See "F" above	See "F" above	See "F" above	See "F" above
Dual Check - Cascading (* adds x992 to end of model)	F* x 992	\$139.73	\$139.73	\$139.73	\$145.23
Dual Check - ASSE - Full Port	P	See "F" above	See "F" above	See "F" above	\$265.79
Meter Swivel Nut	N	N/C	N/C	N/C	N/C
Tandem adder	7" - 9"	\$164.99	\$176.27	\$214.30	-
	12"	\$164.99	\$176.27	\$215.67	\$321.87
	15"	\$145.05	\$156.26	\$195.74	\$321.87
	18" - 21"	\$149.73	\$161.10	\$200.54	\$321.87
	24" & Above	\$149.73	\$161.10	\$200.54	\$337.85

Tandem Setters or resetters include (2) 74619 connections and "S" tube with meter swivel nuts

- NOTES:**
- 15" minimum height for 1" setter with dual check
  - Vertical bracing eye, wire seal hole and locking are standard.
  - N/C = No additional charge.

**Contact Factory for the following options:**

1. Handles for ball valves
2. Test cap on check valves
3. 360° turn valve cap (less check)



## 758 Series

### Crab Style Tandem Resetter

Made to set two meter thread x meter thread devices.  
The A.Y. McDonald 758 tandem resetter allows you to reset a meter and a device in one low profile compact setting.

- Meter swivel nuts are less saddle
- For other combinations, contact factory



### Model 758-2--NN X419

<b>758</b>	<b>-</b>	<b>2</b>	<b>--</b>	<b>N</b>	<b>N</b>		<b>X419</b>
Series	Style	Meter Size	Meter Height	Meter Connections		Blank Space	Crab Style
758 Tandem	- = Standard	1 = 5/8" 2 = 5/8" x 3/4" 3 = 3/4" 4 = 1"	For special heights, contact factory.	N = No valve - meter nut only For other special meter connections and valves, contact factory.			

Part No.	Model	Description	List Price
5159-211	758-1--NN X419	5/8" Crab Style Tandem Resetter	\$486.02
5152-071	758-2--NN X419	5/8" x 3/4" Crab Style Tandem Resetter	\$486.02
5152-072	758-3--NN X419	3/4" Crab Style Tandem Resetter	\$542.27
5152-149	758-4--NN X419	1" Crab Style Tandem Resetter	\$946.16

### Inverted Tandem

For installing a regulator and meter in an existing setting and there is little room above 2" rise from original meter height. The A.Y. McDonald 758 inverted tandem resetter allows you to reset a meter and a device with minimal rise as long as there is room below the existing meter.

- Meter swivel nuts are less saddle



### Model 758-202NN X406

<b>758</b>	<b>-</b>	<b>2</b>	<b>02</b>	<b>N</b>	<b>N</b>		<b>X406</b>
Series	Style	Meter Size	Meter Height	Meter Connections		Blank Space	Inverted Style
758 Tandem	- = Standard	1 = 5/8" 2 = 5/8" x 3/4" 3 = 3/4" 4 = 1"	For special heights, contact factory.	N = No valve - meter nut only For other special meter connections, contact factory.			

Meter swivel nuts are less saddle.

Part No.	Model	Description	List Price
5159-192	758-102NN X406	5/8" Inverted Tandem Resetter	\$280.86
5160-416	758-202NN X406	5/8" x 3/4" Inverted Tandem Resetter	\$306.12
	758-302NN X406	3/4" Inverted Tandem Resetter	\$342.84
5160-397	758-403NN X406	1" Inverted Tandem Resetter	\$595.84

#### OPTIONS

- Assemblies shipped with two 1/8" EPDM rubber meter gaskets.
- Insert stiffeners are required on all flexible plastic connections.
- Not all combinations available, contact factory with your requirements.
- MOST METER SETTERS ARE MADE TO ORDER AND ARE NOT RETURNABLE.
- Please verify with the factory that the model number you have configured is available and meets your requirements.



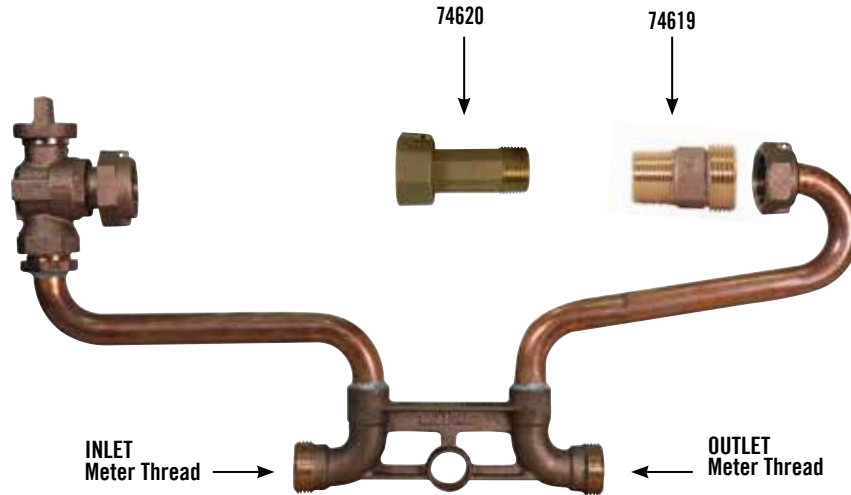


# 758I Series

## Inline Tandem Resetter

The A.Y. McDonald 758I inline tandem resetter with additional options for shut off or check valves plumbed into the tubing to accept inline, a meter and a pressure regulating device. Please supply device length and end connection configuration when ordering.

- Resetters include 74620 meter coupling and 74619 adapter and gaskets.
- Meter swivel nuts are less saddle



### Model 758I207QN X15.81

<b>758</b>	<b>I</b>	<b>2</b>	<b>07</b>	<b>Q</b>	<b>N</b>		<b>X15.81</b>
Series	Style	Meter Size	Meter Height	Inlet	Outlet	Blank Space	Flange to Flange Spread
758 Inline Tandem	I = Inline Tandem Resetter	1 = 5/8" 2 = 5/8" x 3/4" 3 = 3/4" 4 = 1"	07" 09" 10" 12" 15" 18" 21" 24" Additional heights available, contact factory.				Varies with device, contact factory for correct length.
				A = Full Port Angle Single Check Valve F = 3/4" Port Angle Dual Check Valve (ASSE 1024) G = Angle Lockwing Plug Valve K = 3/4" & 1" Port Angle Lockwing Ball Valve N = Flanged Tubing with Meter Nut P = 1" Port Angle Dual Check Valve (ASSE 1024) Q = Standard Port Angle Lockwing Ball Valve Z = Brass Elbow			

Part No.	Model	Description	List Price
5145-457	758I207QN X15.81	5/8" x 3/4" Inline Tandem Resetter	\$488.85

**NOTE:** Unless specified all tandem components have meter nuts without support lip.  
For other specialty connections, contact factory.

### OPTIONS

- Assemblies shipped with two 1/8" EPDM rubber meter gaskets.
- **Not all combinations available, contact factory with your requirements.**
- **MOST METER SETTERS ARE MADE TO ORDER AND ARE NOT RETURNABLE.**
- **Please verify with the factory that the model number you have configured is available and meets your requirements.**

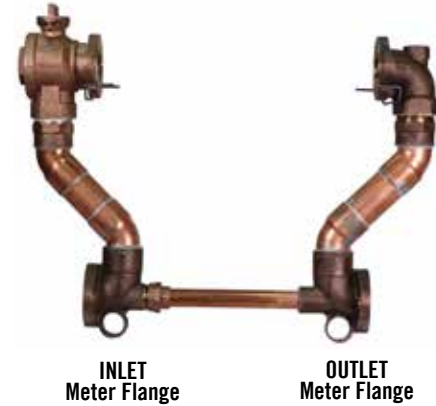


## 718 Series

### Horizontal Style Resetters 1 1/2" & 2"

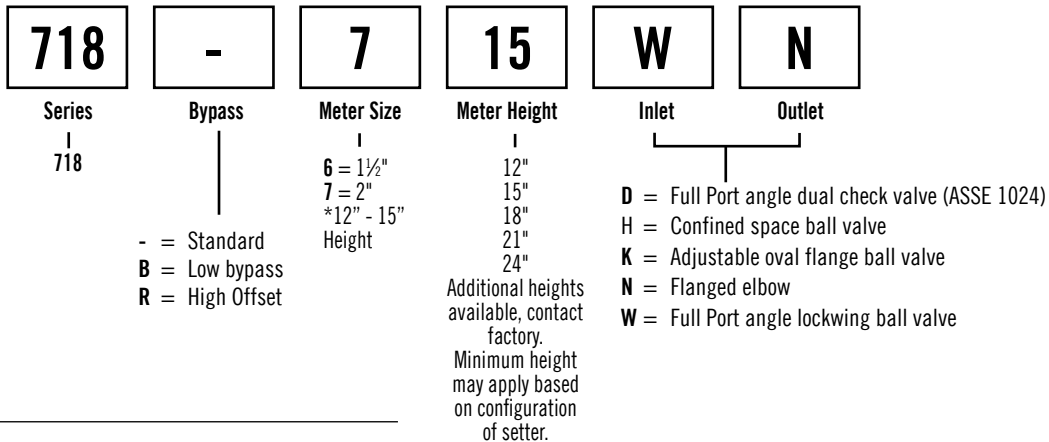
The A.Y. McDonald 718 1 1/2" and 2" oval flanged horizontal resetter allows you to reset a meter incorporating an inlet or outlet shut off valve or check valve while offering several height options. It also offers bypass options. Depending on valve configurations, minimum heights may vary.

- Brass eye holes accept 1" iron pipe or 1" PVC
- 2" Meter flanges have slotted bolt holes to fit 1 1/2" or 2" meters
- Two drop in flange gaskets furnished.
- Two meter support brackets furnished.
- 1 1/4" bypass includes a 1" x 1" x 1 1/4" ball valve.
- Resetter with bypass requires a check valve or ball valve on outlet
- Cross sized resetters available, contact factory.



Copper Meter Resetters

### Model 718-715WN

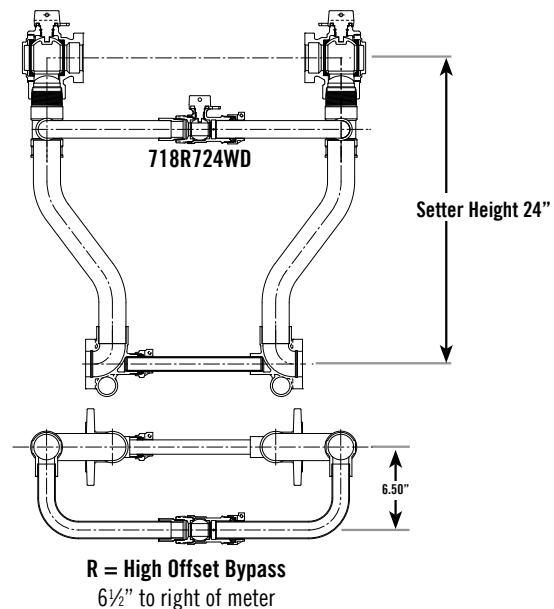
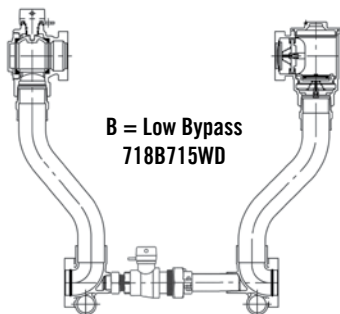


For Tandem Series

758 Series Tandem Setter



**Example 758-718WDX 10.00 Device Length**  
Tandem resetters are supplied with 610M adapters and "S" tube. Please specify device length and threads when ordering.



### OPTIONS

- Not all combinations available, contact factory with your requirements.
- MOST METER RESETTERS ARE MADE TO ORDER AND ARE NOT RETURNABLE.
- Please verify with the factory that the model number you have configured is available and meets your requirements.

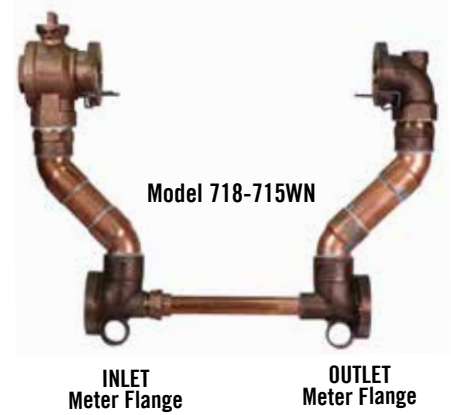


## 718 Series

### Horizontal Style Resetters 1 1/2" & 2"

1 1/4" Copper cross tube is standard for no by-pass setters.

The A.Y. McDonald 718 1 1/2" and 2" oval flanged horizontal resetter allows you to reset a meter incorporating an inlet or outlet shut off valve or check valve while offering several height options. It also offers bypass options and several options for taps to incorporate pressure relief valves or sampling valves before or after the meter. Depending on valve configurations, minimum heights may vary. Brass eye holes accept 1" iron pipe or 1" PVC.



#### Meter Flange Inlet x Meter Flange Outlet

Part No.	Model	Meter & Service Size	Carton PCS/WT	Price
5145-436	718-615WN	1 1/2"	1/40	\$2,328.23
5143-269	718-715WN	2"	1/39	\$2,573.05

#### Adder for Tandem Setter (If Applicable)

Size	Carton PCS/WT	Price
1 1/2"		\$1,021.96
2"		\$1,073.12

**NOTE:** FOR 718 SERIES THE 718 BECOMES 758

**NOTE: METER SETTERS WITH FLANGED ELBOWS ARE NOT AVAILABLE WITH A BY-PASS**

Model Description	Size	List Price Adder	
		1 1/2"	2"
NO BYPASS	N/A	\$0.00	\$0.00
LOW INLINE BYPASS	1 1/4"	\$157.36	\$157.36
LOW INLINE BYPASS	1 1/2"	\$477.01	\$477.01
HIGH OFFSET BYPASS	1 1/4"	\$894.39	\$937.45
HIGH OFFSET BYPASS	1 1/2"	\$1,214.05	\$1,253.02

Height	List Price Adder	
	1 1/2"	2"
15"	\$0.00	\$0.00
18"	\$59.60	\$0.00
21"	\$119.20	\$69.34
24"	\$178.81	\$146.79
27"	\$238.40	\$220.20

Description Meter Inlet & Outlet		List Price Adder	
		1 1/2"	2"
BALL VALVE	W	\$301.02	\$308.41
DUAL CHECK	D	\$443.03	\$322.15
TELESCOPING METER FLANGE BALL VALVE	K	\$55.78	\$55.78 (one side only)
CONFINED SPACE BALL VALVE	H	\$148.44	\$192.23
FLANGE ELBOW	N	\$175.28	\$259.86

**NOTE: ADD FOR EACH VALVE ADDED TO METER SETTER**

- Over 27" add \$53.08 for every 3" above 27" - 1 1/2" size
- Over 27" add \$73.51 for every 3" above 27" - 2" size

**NOTE: ADD FOR EACH VALVE ADDED TO METER SETTER**

### OPTIONS

- Not all combinations available, contact factory with your requirements.
- MOST METER RESETTERS ARE MADE TO ORDER AND ARE NOT RETURNABLE.
- Please verify with the factory that the model number you have configured is available and meets your requirements.



# Copper Meter Resetters

## Gaskets



Part No.	MODEL	DESCRIPTION	THICKNESS	METER SIZE	LIST PRICE
4124-049	18-G1	Rubber	1/8"	5/8"	\$0.45
4124-059	18-G1F	Fiber	1/16"	5/8"	\$1.75
4124-056	18-G1L	Waxed Leather	1/8"	5/8"	\$1.05
4124-050	18-G2	Rubber	1/8"	5/8" x 3/4" or 3/4"	\$0.57
4124-060	18-G2F	Fiber	1/16"	5/8" x 3/4" or 3/4"	\$1.86
4124-057	18-G2L	Waxed Leather	1/8"	5/8" x 3/4" or 3/4"	\$1.01
4124-051	18-G4	Rubber	1/8"	1"	\$0.60
4124-061	18-G4F	Fiber	1/16"	1"	\$2.59
4124-058	18-G4L	Waxed Leather	1/8"	1"	\$1.13
4124-054	4620G	Round-Rubber	1/8"	1 1/2"	\$4.40
4124-055	4620G	Round-Rubber	1/8"	2"	\$5.00



Part No.	MODEL	DESCRIPTION	THICKNESS	METER SIZE	LIST PRICE
4124-052	18-G6	Flange-Rubber	1/8"	1 1/2"	\$4.92
4124-053	18-G7	Flange-Rubber	1/8"	2"	\$5.58



Part No.	MODEL	DESCRIPTION	THICKNESS	METER SIZE	LIST PRICE
4070-000	18-GFF6	Full Face Flange Rubber	1/8"	1 1/2"	\$4.40
4070-001	18-GFF7	Full Face Flange Rubber	1/8"	2"	\$5.04

Drop in flange gaskets furnished.

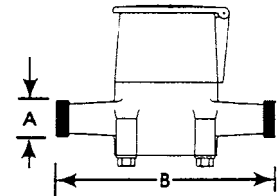


2" Meter Flanges have slotted bolt holes to fit 1 1/2" or 2" meters.

Meter support brackets furnished.

## Meter Dimensions

Meter Size	3/4" Short Meter,						1 1/2"	2"
	5/8"	5/8" x 3/4"	3/4"	3/4" x 1"	1"			
<b>A-Meter Threads</b>	3/4"	1"	1"	1 1/4"	1 1/4"	Oval Flange	Oval Flange	
<b>B-Lay Length</b>	7 1/2"	7 1/2"	9"	9"	10 3/4"	13"	17"	
<b>A.Y. McDonald Spacing*</b>	7 13/16"	7 13/16"	9 5/16"	9 5/16"	11 3/32"	13 1/4"	17 1/4"	




\*Allows for meter and two gaskets.




Note: A.Y. McDonald uses the above standards for typical meter applications. If your application is special or in question, you should always measure the meter as shown above. Other meter lay lengths must be specified. An additional 3/8" is added to top spacing to allow for gaskets through 1" meters: Standard 2" top spacing = 17 1/4".



## Meter Bushings


Changes thread size only

-  **10J12** - Converts 5/8" meter spud to 5/8" x 3/4" meter spud  
4137-097 - one bushing, .50 long ..... \$7.41
- 10J12KIT** - Converts 5/8" meter spud to 5/8" x 3/4" meter spud  
4137-282 - two pieces per bag, .50 long ..... \$14.82
- 10J12 x .75** - Converts 5/8" meter spud to 5/8" x 3/4" meter spud  
4138-028 - one bushing, .75 long ..... \$9.32


-  **10J12KIT x .75** - Converts 5/8" meter spud to 5/8" x 3/4" meter  
4138-029 spud - two pieces per bag, .75 long ..... \$18.63
-  **10J34B** - Converts 3/4" meter spud to 1" meter spud  
4137-296 - one bushing ..... \$22.16
-  **10J45** - Converts 1" meter spud to 1 1/4" meter spud -  
4137-096 one bushing ..... \$13.40

## Meter Adapters


Converts meter size and laying length

-  **710J13** - Converts 5/8" meter to 3/4" meter - two pieces  
5137-247 required per meter ..... \$18.07
- 710J13KIT** - Converts 5/8" meter to 3/4" meter - two pieces  
5137-283 per kit ..... \$36.13


---

-  **710J14** - Converts 5/8" meter to 1" meter - two pieces  
5137-014 required per meter ..... \$22.59
- 710J14SG** - Converts 5/8" meter to 1" meter - two pieces  
5137-295 required per meter w/ soft gasket ..... \$22.59
- 710J14KIT** - Converts 5/8" meter to 1" meter - two pieces  
5137-284 per kit ..... \$45.15
- 710J21** - Converts 5/8" meter to 3/4" meter - two pieces  
5137-056 required per meter ..... \$20.84
- 710J21KIT** - Converts 5/8" meter to 1" meter - two pieces  
required per meter ..... \$41.68


---

-  **710J23** - Converts 5/8" x 3/4" meter to 3/4" meter - one  
5137-187 piece required per meter ..... \$22.95
- 710J23KIT** - Converts 5/8" x 3/4" meter to 3/4" meter - one  
5138-018 piece required per meter ..... \$22.95
- 710J23SGKIT**  
5138-030 - Converts 5/8" x 3/4" meter to 3/4" meter - one  
piece required per meter w/ soft gasket. \$22.95

---

-  **710J24** - Converts 5/8" x 3/4" meter to 1" meter - two  
5137-099 pieces required per meter ..... \$27.60
- 710J24KIT** - Converts 5/8" x 3/4" meter to 1" meter - two  
5137-285 pieces per kit ..... \$55.18
- 710J24SG** - Converts 5/8" x 3/4" meter to 1" meter w/  
5137-032 soft gasket - two pieces per kit ..... \$27.60
- 710J24SGKIT**  
5137-040 - Converts 5/8" x 3/4" meter to 1" meter w/ soft  
gasket - two pieces required per meter. \$55.18

---

-  **710J34** - Converts 3/4" meter to 1" meter - two pieces  
5137-098 required per meter ..... \$21.19
- 710J34KIT** - Converts 3/4" meter to 1" meter - two pieces  
5137-286 per kit ..... \$42.37
- 710J34SG** - Converts 3/4" meter to 1" meter w/ soft  
5137-031 gasket - two pieces required per meter. \$21.19

- 710J34SG x.25**  
5137-047 - Converts 3/4" meter to 1" meter. Adds 1/4" length  
to meter lay length ..... \$21.18
- 710J44** - Extends 1" male meter threads by 1.75. \$32.69  
5137-279
- 710J44DCA** - 1" Meter adapter 3.88" long ..... \$117.24  
5137-038
- 710J46** - Converts 1" meter to 1 1/2" flanged meter size  
5137-244 and length - two pieces required per meter  
..... \$160.17
- 710J46KIT** - Converts 1" meter to 1 1/2" flanged meter size  
5137-287 and length - two pieces per kit ..... \$320.31

---

- 710J47 10.75 x 15.25**  
5137-039 - Converts 1" meter to 2" flanged meter size (15.25" long) and  
length two pieces required per meter... \$163.91
- 710J47** - Converts 1" meter to 2" flanged meter size (17" long) and  
5137-245 length two pieces required per meter... \$163.91
- 710J47D** - Converts 1" meter to 2" flanged meter size (17" long) and  
5137-291 length two pieces required per meter  
Dual hole for 1 1/2" & 2" meters ..... \$163.91
- 710J47KIT** - Converts 1" meter to 2" flanged meter size (17" long) and  
5137-288 length two pieces per kit ..... \$327.84

---

- 710J67** - Converts 1 1/2" meter to 2" flanged meter size (17" long) and  
5137-246 length - two pieces required per meter, two bolts & 1 1/2"  
meter gasket included ..... \$216.84
- 710J67KIT** - Converts 1 1/2" meter to 2" flanged meter size (17" long)  
5137-289 and length - two pieces per kit - four bolts & 1 1/2"  
meter gasket included ..... \$433.66
- 710J67DH** - Converts 1 1/2" meter to 2" flanged meter size (17" long)  
5137-020 and length - two pieces required per meter  
Slotted holes for 1 1/2" or 2" meters, w/meter gaskets -  
does not include bolts and nuts ..... \$216.84

---

- 710J67DH x2**  
5137-256 - Converts 1 1/2" meter to 2" flanged meter size (17" long) and  
length - two piece, required per meter. Slotted holes  
for 1 1/2" or 2" meters w/2" gasket - 2" bore does  
not include bolts and nuts. .... \$216.84

---

- 710J77DHX2 X1.75**  
5137-274 - Converts 2" x 15.25" flanged meter to 2" x 17"  
flanged meter size and length - one piece required  
per meter. Slotted holes for 1 1/2" or 2" meters - does  
not include bolts and nuts w/2" bore... \$216.84

Copper Meter Reseters

Above meter adapters include Hard Gaskets to preserve meter lengths. Oval meter flanges include drop in type gaskets.

\*Soft Gaskets are available contact the factory.

- Full face gaskets are provided as a separate item;  
1 1/2"=18-GFF 1 1/2" & 2"=18-GFF 2"

\*Rubber meter gaskets not included. See page 322 for rubber meter gaskets.

- 6121NB** - 5/8" x 2.50 hex bolt and nut, zinc plated - 2 each per bag for  
4131-079 1 1/2" and 2" oval flange assembly ..... \$10.61
- 6121SSNB** - 5/8" x 2.50 hex bolt and nut, stainless steel - 2 each per bag  
4141-466 for 1 1/2" and 2" oval flange assembly. \$16.20



## Tandem Options

All A.Y. McDonald tandem copper setters are designed to provide the user with the option of placing an auxiliary device in addition to a water meter in a space as small as 18" in diameter (see Table I). The auxiliary device could be a pressure regulator, pressure relief valve, backflow preventer, etc. Table I shows typical lay lengths available for these devices. Other lengths can be provided. Contact our customer service department for details.

- Standard centerline spread for 5/8", 5/8" x 3/4", 3/4" meters is 7". 1" meter is 9".
- Tandem meter setter "S" bar (4619S-size) and brass adapters (74619-size) come as standard when ordering tandem resetters, but are also available separately (see below). Contact factory.
- Resetters with cross-over meter sizes are available, contact factory.

Meter Size	Device Length (FNPT x FNPT)	Minimum Recommended Inside Pit Diameter
5/8"	4" to 5"	18"
5/8" x 3/4"	4" to 5"	18"
3/4"	4" to 5"	20"
1"	5" to 6"	21"



4619S - Tandem "S" Bar FNPT DEV

Part No.	Model	Device Use Size	Price
4160-315	4619S 5/8" x 3.25	2.81"-3.75"	\$89.90
4160-496	4619S 5/8" x 4.50	4.00"-5.00"	\$84.67
4160-493	4619S 5/8" x 3/4" x 3.25	2.81"-3.75"	\$89.90
4160-497	4619S 5/8" x 3/4" x 4.50	4.00"-5.00"	\$89.90
4159-078	4619S 5/8" x 3/4" x 5.50	5.00"-6.00"	\$94.76
4160-486	4619S 5/8" x 3/4" x 9.00	8.50"-9.50"	\$98.83
4160-491	4619S 5/8" x 3/4" x 10.58	10.19"-11.06"	\$103.69
4160-232	4619S 5/8" x 3/4" x 12.00	11.50"-12.50"	\$106.10
4160-498	4619S 3/4" x 4.50	4.00"-5.00"	\$106.40
4159-155	4619S 3/4" x 5.31	4.75"-5.75"	\$108.07
4160-494	4619S 1" x 3.75	3.38"-4.25"	\$162.67
4160-499	4619S 1" x 5.50	5.00"-6.00"	\$162.78
4160-492	4619S 1" x 10.94	10.50"-11.38"	\$187.85
4160-413	4619S 1" x 13.00	12.50"-13.44"	\$196.81
4160-484	4619S 1" x 14.75	14.25"-15.19"	\$205.74



74619 - "S" Bar Adapter

Part No.	Model	Description	Price
5148-141	74619 5/8"	5/8" Male Meter x 3/4" MNPT	\$28.84
5159-110	74619 5/8 x 1/2"	5/8" Male Meter x 1/2" MNPT	\$28.84
5148-140	74619 3/4"	3/4" Male Meter x 3/4" MNPT	\$21.62
5159-114	74619 3/4" x 1" x 2.18	3/4" Male Meter x 1" MNPT x 2.18" Length	\$57.49
5159-098	74619 3/4" x 2.43	3/4" Male Meter x 3/4" MNPT x 2.43" Length	\$53.61
5148-142	74619 1"	1" Male Meter x 1" MNPT	\$29.66
5148-219	74619 1" x 1 1/4" x 2.12	1" Male Meter x 1 1/4" MNPT x 2.12" Length	\$53.10
5123-000	74619 1 1/2"	1 1/2" Male Meter x 1 1/2" MNPT	\$56.68
5123-001	74619 2"	2" Male Meter x 2" MNPT	\$101.49



4619SL - Tandem "S" Bar Meter x Meter DEV

Part No.	Model	Device Use Size	Price
4159-073	4619SL 5/8" x 7.50	7.50"	\$89.90
4160-490	4619SL 5/8" x 3/4" x 5.50	5.50"	\$89.90
4160-489	4619SL 5/8" x 3/4" x 7.50	7.50"	\$89.90
4160-487	4619SL 5/8" x 3/4" x 9.00	9.00"	\$106.40
4159-311	4619SL 1" x 9.50	9.50"	\$166.01
4159-158	4619SL 1" x 10.75	10.75"	\$187.85







**WITHOUT  
YOU  
THERE IS  
NO US.**



# Copper Meter Setters

January 11, 2022 - Revised July 2024



# Copper Meter Setters

## Single Setter (with Saddle Nut)

		1	2	3	4
Options - add or subtract from base setter model		5/8"	5/8" x 3/4"	3/4"	1"
Standard Ball Valve	W	\$83.78	\$83.78	\$83.78	\$168.10
Full Port Ball Valve	J	\$152.98	\$152.98	\$152.98	\$230.45
Plug Valve	L	\$68.94	\$68.94	\$68.94	\$105.69
Single Check Valve	C	\$76.06	\$76.06	\$76.06	\$91.41
Dual Check - ASSE - Standard	D	\$153.13	\$153.13	\$153.13	\$145.22
Dual Check - Cartridge	D* x 995	See "D" above	See "D" above	See "D" above	See "D" above
Dual Check - Cascading	D* x 992	\$139.73	\$139.73	\$139.73	\$145.23
Dual Check - ASSE - Full Port	M	See "D" above	See "D" above	See "D" above	\$265.79
Meter Swivel Nut	X	N/C	N/C	N/C	N/C
Additional height in 3" increments		\$9.36	\$9.36	\$12.91	\$15.00

## Tandem Setter (less Saddle Nut)

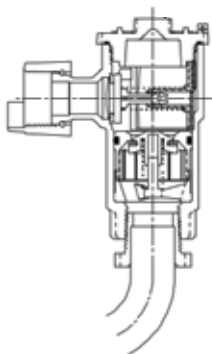
		1	2	3	4
Options - add or subtract from base setter model		5/8"	5/8" x 3/4"	3/4"	1"
Standard Ball Valve	Q	\$83.78	\$83.78	\$83.78	\$168.10
Full Port Ball Valve	K	\$152.98	\$152.98	\$152.98	\$230.45
Plug Valve	G	\$68.94	\$68.94	\$68.94	\$105.69
Single Check Valve	A	\$76.06	\$76.06	\$76.06	\$91.41
Dual Check - ASSE - Standard	F	\$153.13	\$153.13	\$153.13	\$145.22
Dual Check - Cartridge	F* x 995	See "F" above	See "F" above	See "F" above	See "F" above
Dual Check - Cascading	F* x 992	\$139.73	\$139.73	\$139.73	\$145.23
Dual Check - ASSE - Full Port	P	See "F" above	See "F" above	See "F" above	\$265.79
Meter Swivel Nut	N	N/C	N/C	N/C	N/C
Tandem adder	7" - 9"	\$164.99	\$176.27	\$214.30	-
	12"	\$164.99	\$176.27	\$215.67	\$321.87
	15"	\$145.05	\$156.26	\$195.74	\$321.87
	18" - 21"	\$149.73	\$161.10	\$200.54	\$321.87
	24" & Above	\$149.73	\$161.10	\$200.54	\$337.85

Tandem Setters or resetters include (2) 74619 connections and "S" tube with meter swivel nuts

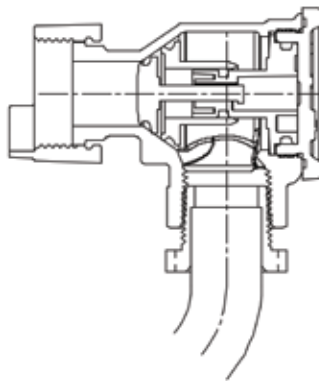
### LESS CHECK / 360° TURN OPERATING HEAD

Less check on ball valve, **Add \$2.95 ea.**

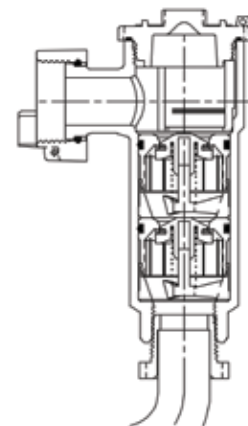
- 12" minimum height for 1" setters and resetters with angle dual checks, except for low profile options.
- Bracing eye, meter nuts with saddle, wire seal hole, and angle ball valves with lockwing are standard except where noted.
- Weights and package sizes will vary with additional options.
- Cross size resetters available, contact factory.
- 7/8" O.D. Tube option on 3/4 meter setter.



**Standard Dual Check (D or F)**



**Cascading Dual Check (x992)**



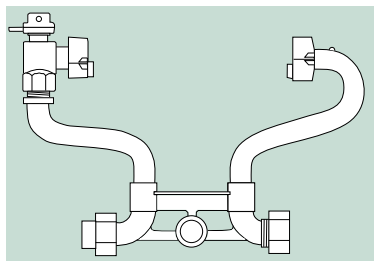
**Cartridge Dual Check (x995)**



Copper Meter Setters

Example Model number **723 -2 09 WX DT 33**

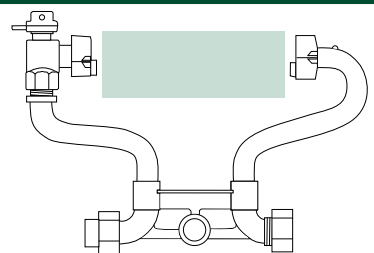
means...



**723** -209WXDT 33

## No-Lead Copper Meter Setter Series - (includes reseters)

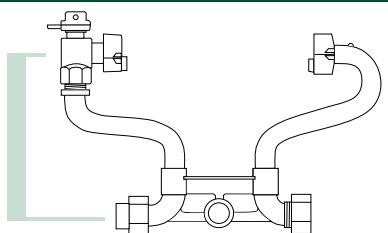
701, 710, 714, 715, 716, 717, 718, 719, 720, 721, 722, 723, 724, 725, 726, 727, 728, 729, 730, 731, 732, 737, 738, 739, 740, 741, 742, 743, 744, 745, 746, 749, 750, 751, 752, 753, 754, 755, 756, 757, 758, 759, 760, 761, 762, 763, 768, 770



**723** -2 09WXDT 33

## Meter Sizes

- 1 = 5/8" Meter
- 2 = 5/8" x 3/4" Meter
- 3 = 3/4" Meter
- 4 = 1" Meter
- 6 = 1 1/2" Meter
- 7 = 2" Meter

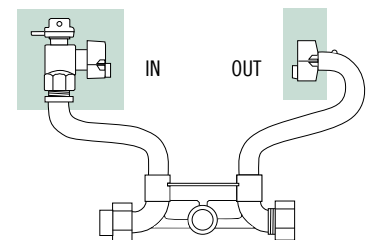


**723-2 09** WXDT 33

## Vertical Height

07", 09", 10", 12", 15", 18", 21", 24"

- 10" minimum height on 1" meter setters.
- 12" minimum height on 1" meter setters with angle dual check valves.

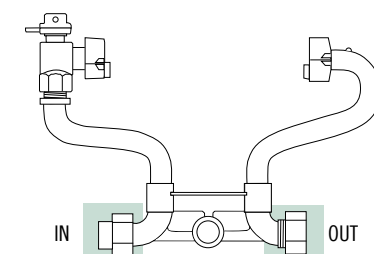


**721-229** **WX** DT 33

## Meter Valve/Nut/Dual or Single Check

- C** = Angle check valve (Single Cartridge)
- D** = Angle dual check valve (ASSE 1024)
- W** = Angle locking ball valve
- X** = Flanged tubing with meter nut
- Saddle nut style standard. Consult factory for less saddle.
- Ball valve with locking and checks are standard.

For Tandem Setters Designation A, F, Q & N, Replace C, D, W & X



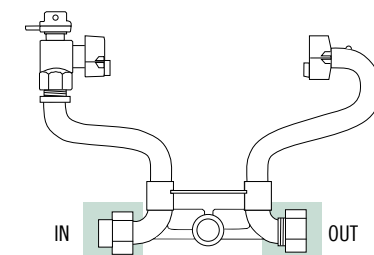
**721-229WX** **DT** 33

## Bottom Bar End Connection

- C** = Copper Flare Union
- D** = Double Purpose (Flare or FNPT) Union
- F** = FNPT Union
- G** = "G" CTS Series McGrip Comp.\*
- M** = MNPT Union
- P** = MNPT (No Coupling) Integral
- Q** = "Q" CTS Series Comp.\*
- S** = Solder Union
- T** = "T" CTS Series Comp.\*
- Z** = "-3Q" PEP Series Comp.\*
- 2** = "-22" CTS Series Mac-Pak Comp.\*
- 3** = "-33" PEP Series Mac-Pak Comp.\*
- 4** = "-44" PVC Series Mac-Pak Comp.
- 5** = "-55" IP Series Mac-Pak Comp. IP

- Not all end connections available on all styles of meter setters.

DOES NOT apply to Reseters



**721-229WXDT** **33**

## Bottom Bar End Size

- 1 = 1/2"
- 2 = 3/4"
- 3 = 3/4"
- 4 = 1"
- 5 = 1 1/4"
- 6 = 1 1/2"
- 7 = 2"

DOES NOT apply to Reseters

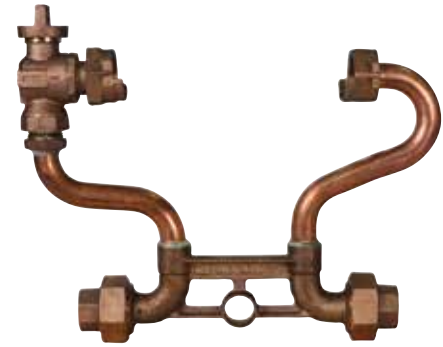
\*Insert stiffeners are required on all flexible plastic connections.



## 720 Series

FOR 5/8", 5/8" X 3/4", 3/4", OR 1" METERS

Horizontal Style, Double Purpose Union x Double Purpose Union.



To order 720 Series Model No. **720-207WXDD 33** above means:

Series	Style	Meter Size	Meter Height	Inlet and Outlet Valves	Type of connection Inlet and Outlet	Blank Space	Size Inlet & Outlet
<b>720</b>	<b>-</b> -- Standard	<b>2</b> 1 = 5/8" 2 = 5/8" x 3/4" 3 = 3/4" 4 = 1"	<b>07</b> 07 = 7" 09 = 9" 10 = 10" 12 = 12" 15 = 15" 18 = 18" 21 = 21" 24 = 24" 27 = 27"	<b>WX</b> C = 3/4" & 1" Port Angle Single Check Valve D = 3/4" Port Angle Dual Check Valve (ASSE 1024) L = Angle Lockwing Plug Valve J = 3/4" & 1" Port Angle Lockwing Ball Valve M = 1" Port Angle Dual Check Valve (ASSE 1024) W = Standard Port Angle Lockwing Ball Valve X = Flanged Tubing with Meter Nut	<b>DD</b> 5/8", 5/8" x 3/4", 3/4" Meters B = -3G PEP -7 Union (3/4") C = Copper Flare Union (3/4" or 1") D = Double Purpose Union (Flare or FNPT) (3/4" or 1") F = FNPT Union (1/2" or 1") G = G CTS McGrip Union (3/4") H = H CTS HandyLoc Union (3/4") J = C903 Union (3/4") L = Less Double Purpose Nut, & Gasket, 3/4" & 1" M = MNPT Union (3/4", 1") Q = Q CTS McQuik Union (3/4" & 1") S = Solder Union (3/4" or 1") T = T CTS Union (3/4" or 1") Z = -3Q PEP-7 Union (3/4")		1 = 1/2" 3 = 3/4" 4 = 1"

18" & Taller includes Brace Support Bar

Additional heights available, contact factory

NOTES: - 12" minimum height for 1" setter with ASSE dual cartridge check valve  
- 10" minimum height for 1" setter with ASSE cascading dual check valve or meter swivel

### For Tandem Series

#### 750 Series Horizontal Tandem Setter



**Example 750-207QND 33**  
Tandem setters are supplied with adapters and "S" tube. Please specify device length and threads when ordering.  
**12" minimum height on 1" tandem**

\*See Plumbing Catalog for meter x meter PRV

- Standard device for 5/8", 5/8" x 3/4", 3/4" = 4" - 5" Long FNPT x FNPT
- Standard device for 1" = 5" - 6" Long FNPT x FNPT

- A = 3/4" & 1" Port Angle Single Check Valve
- F = 3/4" Port Angle Dual Check Valve (ASSE 1024)
- G = Angle Lockwing Plug Valve
- K = 3/4" & 1" Port Angle Lockwing Ball Valve
- N = Flanged Tubing with Meter Nut
- P = 1" Port Angle Dual Check Valve (ASSE 1024)
- Q = Standard Port Angle Lockwing Ball Valve
- Z = Brass Elbow

NOTE: Unless specified all tandem components have meter nuts without support lip.

### OPTIONS

- Assemblies shipped with two 1/8" EPDM rubber meter gaskets.
- Insert stiffeners are required on all flexible plastic connections.
- **Not all combinations available, contact factory with your requirements.**
- **MOST METER SETTERS ARE MADE TO ORDER AND ARE NOT RETURNABLE.**
- **Please verify with the factory that the model number you have configured is available and meets your requirements.**



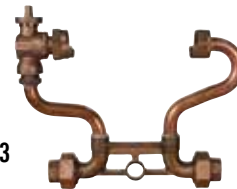


## 720 Series

FOR 5/8", 5/8" X 3/4", 3/4", OR 1" METERS

Horizontal Style, Double Purpose Union x Double Purpose Union

Model 720-207WXDD 33



Part No.	5/8" Meter Size	Carton PCS/WT	Price
5154-004	720-107WXDD 33	6/33	\$238.88
5154-010	720-109WXDD 33	6/32	\$241.54
5154-016	720-112WXDD 33	6/34	\$248.65
5144-294	720-115WXDD 33	6/42	\$257.45
5154-028	720-118WXDD 33	6/43	\$287.31
5152-454	720-121WXDD 33	6/48	\$295.69
5157-001	720-124WXDD 33	6/47	\$304.83

Part No.	3/4" Meter Size	Carton PCS/WT	Price
5154-034	720-307WXDD 33	6/34	\$283.62
5154-040	720-309WXDD 33	6/37	\$283.62
5158-351	720-312WXDD 33	6/39	\$290.93
5154-052	720-315WXDD 33	6/37	\$300.88
	720-318WXDD 33	6/39	\$344.84
	720-321WXDD 33	6/42	\$359.40
	720-324WXDD 33	6/45	\$370.01

Part No.	5/8" x 3/4" Meter Size	Carton PCS/WT	Price
5124-196	720-207WXDD 33	6/33	\$243.41
5124-197	720-209WXDD 33	6/34	\$245.90
5124-198	720-212WXDD 33	6/35	\$252.82
5124-199	720-215WXDD 33	6/37	\$261.67
5134-140	720-218WXDD 33	6/41	\$292.04
5150-201	720-221WXDD 33	6/42	\$300.36
5157-106	720-224WXDD 33	6/47	\$309.53

Part No.	1" Meter Size	Carton PCS/WT	Price
5157-010	720-410WXDD 44	3/27	\$478.06
5157-011	720-412WXDD 44	3/26	\$487.02
5157-012	720-415WXDD 44	3/29	\$497.88
5157-013	720-418WXDD 44	3/33	\$562.36
5140-429	720-421WXDD 44	3/42	\$585.79
5157-107	720-424WXDD 44	3/30	\$592.89

### Single Setter (with Saddle Nut)

Change model from 720 series to 750 series

Options - add or subtract from base setter model		1 2 3 4			
		5/8"	5/8" x 3/4"	3/4"	1"
Standard Ball Valve	W	\$83.78	\$83.78	\$83.78	\$168.10
Full Port Ball Valve	J	\$152.98	\$152.98	\$152.98	\$230.45
Plug Valve	L	\$68.94	\$68.94	\$68.94	\$105.69
Single Check Valve	C	\$76.06	\$76.06	\$76.06	\$91.41
Dual Check - ASSE - Standard	D	\$153.13	\$153.13	\$153.13	\$145.22
Dual Check - Cartridge	D* x 995	See "D" above	See "D" above	See "D" above	See "D" above
Dual Check - Cascading	D* x 992	\$139.73	\$139.73	\$139.73	\$145.23
Dual Check - ASSE - Full Port	M	See "D" above	See "D" above	See "D" above	\$265.79
Meter Swivel Nut	X	N/C	N/C	N/C	N/C
Additional height in 3" increments		\$9.36	\$9.36	\$12.91	\$15.00

### Tandem Setter (less Saddle Nut)

Options - add or subtract from base setter model		1 2 3 4			
		5/8"	5/8" x 3/4"	3/4"	1"
Standard Ball Valve	Q	\$83.78	\$83.78	\$83.78	\$168.10
Full Port Ball Valve	K	\$152.98	\$152.98	\$152.98	\$230.45
Plug Valve	G	\$68.94	\$68.94	\$68.94	\$105.69
Single Check Valve	A	\$76.06	\$76.06	\$76.06	\$91.41
Dual Check - ASSE - Standard	F	\$153.13	\$153.13	\$153.13	\$145.22
Dual Check - Cartridge	F* x 995	See "F" above	See "F" above	See "F" above	See "F" above
Dual Check - Cascading	F* x 992	\$139.73	\$139.73	\$139.73	\$145.23
Dual Check - ASSE - Full Port	P	See "F" above	See "F" above	See "F" above	\$265.79
Meter Swivel Nut	N	N/C	N/C	N/C	N/C
Tandem adder	7" - 9"	\$164.99	\$176.27	\$214.30	-
	12"	\$164.99	\$176.27	\$215.67	\$321.87
	15"	\$145.05	\$156.26	\$195.74	\$321.87
	18" - 21"	\$149.73	\$161.10	\$200.54	\$321.87
	24" & Above	\$149.73	\$161.10	\$200.54	\$337.85

Tandem Setters or resetters include (2) 74619 connections and "S" tube with meter swivel nuts

#### Contact Factory for the following:

1. Handles for ball valves
2. Test cap on check valves
3. 360° turn valve cap (less check)

**NOTES:** - 12" minimum height for 1" setters with dual check.  
 - Horizontal bracing eye, wire seal hole and locking are standard.  
 - N/C = No additional charge.

### Inlet / Outlet Option Adders (Price per end):

5/8", 5/8" x 3/4", or 3/4" Meters

Option	Size	List	Size	List
B - "-3G" PEP-7 Union	3/4"	\$55.37		
C - Copper flare union	3/4"	\$26.86	1"	\$48.33
D - Double Purpose union (Flare or FNPT)	3/4"	N/C	1"	\$13.40
F - FNPT union	1/2"	\$13.93	1"	\$12.52
G - "G" CTS union	3/4"	\$19.17	1"	\$44.02
H - "H" CTS Handy Loc union	3/4"	\$23.61		
J - C903 type union	3/4"	\$52.27		
L - Less end connection	3/4"	-\$19.64		
M - MNPT union	3/4"	N/C	1"	\$12.52
Q - "Q" CTS union	3/4"	\$19.17	1"	\$44.02
S - Solder union	3/4"	N/C	1"	\$6.51
T - "T" CTS union	3/4"	\$19.17	1"	\$44.02
Y - 3H PEP	3/4"	\$61.28		
Z - "-3Q" PEP-7 Union	3/4"	\$55.37		
2 - "-22" CTS union	3/4"	\$19.17	1"	\$44.02
3 - "-33" PEP union	3/4"	\$55.37		
4 - "-44" PVC union	3/4"	\$55.37		
5 - "-55" IP union	3/4"	\$55.37		

### 1" Meters

Option	Size	List
D - Double Purpose union (Flare or FNPT)	1"	N/C
J - C903 type union	1"	\$45.53
L - Less end connection	1"	-\$28.87
M - MNPT union	1"	N/C
Q - "Q" CTS union	1"	\$34.82
S - Solder union	1"	N/C
T - "T" CTS union	1"	\$34.82
2 - "-22" CTS union	1"	\$34.82







# Union End Pieces

5/8", 5/8" x 3/4", 3/4", or 1"

(Series 720, 723, 724, 725, 726, 730, 739, 743, 750, 753, 754, 755, 756, 760, 761, 762, 763, 770)

MODEL	PART NO.	DESCRIPTION	LIST
<b>3/4" Connections</b>			
	720-3B3ASY 5145-495	3/4" -3G PEP-7 endpiece with union nut & gasket	\$66.14
	720-3C3 5149-253	3/4" Flare endpiece	\$39.04
	720-3C3ASY 5144-359	3/4" Flare endpiece with union nut & gasket	\$49.77
	720-3C4ASY 5149-264	1" Flare endpiece with union nut & gasket	\$61.07
	720-3F1 5134-024	1/2" FNPT union endpiece	\$10.77
	720-3F4ASY 5149-288	1" FNPT endpiece with union nut & gasket	\$36.75
	720-3D3 5149-284	3/4" Double Purpose endpiece Flare or FNPT	\$10.77
	720-3D3ASY 5149-462	3/4" Double Purpose endpiece Flare or FNPT with union nut & gasket	\$19.64
	720-3G3 5192-323	3/4" "G" CTS Comp endpiece	\$29.87
	720-3G3ASY 5144-360	3/4" "G" CTS Comp endpiece with union nut & gasket	\$40.67
	720-3G4ASY 5145-493	1" "G" CTS Comp endpiece with union nut & gasket	\$64.57
	720-3H3ASY 5194-087	3/4" "H" CTS Comp endpiece with 3/4" union nut & gasket	\$42.69
	720-3J3 5172-084	3/4" C903* Comp endpiece	\$62.94
	720-3J3ASY 5172-118	3/4" C903* Comp endpiece with union nut & gasket	\$71.42
	720-3M3 5149-287	3/4" MNPT endpiece	\$10.77
	720-3M3ASY 5144-361	3/4" MNPT end piece union with nut & gasket	\$21.47
	720-3M4 5140-009	1" MNPT endpiece	\$17.23
	720-3M4ASY 5144-351	1" MNPT endpiece with union nut & gasket	\$26.12
	720-3S3 5149-289	3/4" Solder endpiece	\$10.77
	720-3S3ASY 5144-362	3/4" Solder endpiece with union nut & gasket	\$21.47
	720-3S4 5120-039	1" Solder endpiece	\$17.23
	720-3S4ASY 5149-482	1" Solder endpiece with union nut & gasket	\$26.12
	720-3Q3 5182-144	3/4" "Q" CTS Comp endpiece	\$29.86
	720-3Q4ASY 5145-494	1" "Q" CTS Comp endpiece with union nut & gasket	\$64.56
	720-3Q3ASY 5182-365	3/4" "Q" CTS Comp endpiece with union nut & gasket	\$38.25
	720-3T3 5149-252	3/4" "T" CTS Comp endpiece	\$29.86
	720-3T3ASY 5144-363	3/4" "T" CTS Comp endpiece with union nut & gasket	\$40.67
	720-3T4ASY 5149-265	1" "T" CTS Comp endpiece with union nut	\$64.57
	720-3Z3ASY 5141-472	3/4" "3Q" PEP Comp endpiece with	\$66.14

**OPTIONS**

- Insert stiffeners are required on all flexible plastic connections.
- **Note:** Insetters normally supplied with end connections. The table above is for ordering replacement couplings.

Note: Connections require gasket union nut connector

MODEL	PART NO.	DESCRIPTION	LIST
	720-323 5149-254	3/4" "-22" CTS Comp endpiece	\$29.86
	720-323ASY 5144-358	3/4" "-22" CTS Comp endpiece with union nut & gasket	\$40.67
	720-324ASY 5149-266	1" "-22" CTS Comp endpiece with union nut & gasket	\$64.57
	720-333ASY 5149-267	3/4" "-33" PEP Comp endpiece with union nut & gasket	\$66.14
	720-343ASY 5149-268	3/4" "-44" PVC Comp endpiece with union nut & gasket	\$66.14
	720-353ASY 5149-269	3/4" "-55" IP Comp endpiece with union nut & gasket	\$66.14
	20-3N 4149-230	3/4" Union nut only	\$8.40
	20G3 4140-000	3/4" Double Purpose Gasket	\$0.48
<b>1" Connections</b>			
	720-4D4 5149-246	1" Double purpose endpiece flare or FNPT (also used on 5/8" x 3/4", 3/4" meter sets with 1" Double purpose connection)	\$17.23
	720-4D4ASY 5149-460	1" Double purpose endpiece flare or FNPT (also used on 5/8" x 3/4", 3/4" meter sets with 1" Double purpose connection) with union nut & gasket	\$30.70
	720-4J4 5172-121	1" C903 endpiece	\$62.76
	720-4J4ASY 5172-121	1" C903 endpiece with union nut & gasket	\$76.23
	720-4M4 5149-245	1" MNPT endpiece	\$17.23
	720-4M4ASY 5144-364	1" MNPT endpiece nut with union & gasket	\$30.70
	720-4M5 5149-370	1 1/4" MNPT endpiece	\$30.80
	720-4M5ASY 5144-365	1 1/4" MNPT endpiece with union nut & gasket	\$44.21
	720-4Q4 5149-480	1" "Q" CTS Comp endpiece	\$34.83
	720-4Q4ASY 5149-478	1" "Q" CTS Comp endpiece with union nut & gasket	\$49.08
	720-4S4 5149-247	1" Solder endpiece	\$17.23
	720-4S4ASY 5144-366	1" Solder endpiece with union nut & gasket	\$30.70
	720-4T4 5149-492	1" "T" CTS Comp endpiece	\$34.83
	720-424ASY 5149-479	1" "-22" CTS Comp endpiece with union nut & gasket	\$49.08
	20-4N 4149-244	1" Union nut	\$13.46
	20G4 4140-001	1" Double purpose gaskets	\$0.78

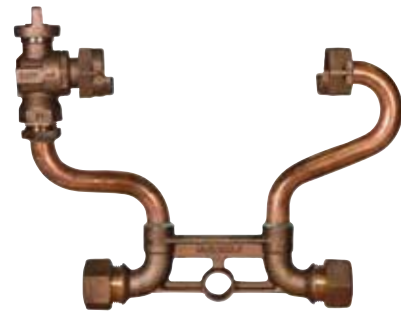
Copper Meter Setters



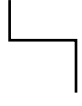
## 721 Series

FOR 5/8", 5/8" X 3/4", 3/4", OR 1" METERS

Horizontal Style, Integral CTS, PEP or C903 Compression Inlet/Outlet



To order 721 Series Model No. **721-207WXTT 33** above means:

721	-	2	07	INLET OUTLET WX	INLET OUTLET TT		33
Series	Style   -- = Standard	Meter Size 	Meter Height 	Inlet and Outlet Valves	Type of connection Inlet and Outlet	Blank Space	Size Inlet & Outlet 
		1 = 5/8" 2 = 5/8" x 3/4" 3 = 3/4" 4 = 1"	07 = 7" 09 = 9" 10 = 10" 12 = 12" 15 = 15" 18 = 18" 21 = 21" 24 = 24" 27 = 27"	<b>C</b> = 3/4" & 1" Port Angle Single Check Valve <b>D</b> = 3/4" Port Angle Dual Check Valve (ASSE 1024) <b>L</b> = Angle Lockwing Plug Valve <b>J</b> = 3/4" & 1" Port Angle Lockwing Ball Valve <b>M</b> = 1" Port Angle Dual Check Valve (ASSE 1024) <b>W</b> = Standard Port Angle Lockwing Ball Valve <b>X</b> = Flanged Tubing with Meter Nut			3 = 3/4" 4 = 1" 5 = 1 1/4" 6 = 1 1/2"
			Additional heights available, contact factory				

18" & Taller includes Brace Support Bar

**NOTES:** - 12" minimum height for 1" setter with ASSE dual cartridge check valve  
- 10" minimum height for 1" setter with ASSE cascading dual check valve or meter swivel

### For Tandem Series

751 Series Horizontal Tandem Setter



**Example 751-207QNTT 33**  
Tandem setters are supplied with adapters and "S" tube. Please specify device length and threads when ordering.  
**12" minimum height on 1" tandem**

\*See Plumbing Catalog for meter x meter PRV

- Standard device for 5/8", 5/8" x 3/4", 3/4" = 4"- 5" Long FNPT x FNPT  
- Standard device for 1" = 5"- 6" Long FNPT x FNPT

<b>A</b> = 3/4" & 1" Port Angle Single Check Valve	<b>T</b> = "T" CTS Integral (3/4", 1", 1 1/4", 3/4" x 1", 1" x 3/4", 1" x 1 1/4", or 1 1/4" x 1")
<b>F</b> = 3/4" Port Angle Dual Check Valve (ASSE 1024)	<b>Y</b> = "-3H" PEP Handyloc Integral (3/4", 1", 3/4" x 1", 1" x 3/4")
<b>G</b> = Angle Lockwing Plug Valve	<b>Z</b> = "-3Q" PEP McQuik Integral (3/4", 1", 3/4" x 1", 1" x 3/4")
<b>K</b> = 3/4" & 1" Port Angle Lockwing Ball Valve	
<b>N</b> = Flanged Tubing with Meter Nut	<b>1" Meters</b>
<b>P</b> = 1" Port Angle Dual Check Valve (ASSE 1024)	<b>B</b> = "-3G" PEP McGrip Integral (1")
<b>Q</b> = Standard Port Angle Lockwing Ball Valve	<b>G</b> = "G" CTS McGrip Integral (1", 1" x 1 1/2", 1 1/4", 1 1/2")
<b>Z</b> = Brass Elbow	<b>H</b> = "H" CTS PE Handyloc Integral (1")
<b>NOTE:</b> Unless specified all tandem components have meter nuts without support lip.	<b>J</b> = C903 Integral (1")
	<b>Q</b> = "Q" CTS McQuik Integral (1", 1" x 1 1/2", 1 1/4", 1 1/2")
	<b>T</b> = "T" CTS Integral (1", 1" x 1 1/2", 1 1/4", 1 1/2")
	<b>Y</b> = "-3H" PEP Handyloc Integral (1")
	<b>Z</b> = "-3Q" PEP McQuik Integral (1")

### OPTIONS

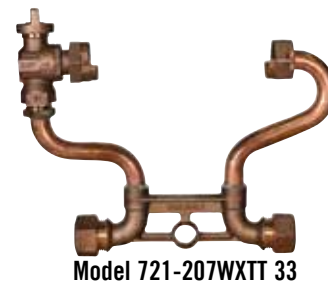
- Assemblies shipped with two 1/8" EPDM rubber meter gaskets.
- Insert stiffeners are required on all flexible plastic connections.
- **Not all combinations available, contact factory with your requirements.**
- **MOST METER SETTERS ARE MADE TO ORDER AND ARE NOT RETURNABLE.**
- **Please verify with the factory that the model number you have configured is available and meets your requirements.**



## 721 Series

FOR 5/8", 5/8" X 3/4", 3/4", OR 1" METERS

Horizontal Style, Integral CTS, PEP or C903 Compression Inlet/Outlet



Part No.	5/8" Meter Size	Carton PCS/WT	Price	Part No.	5/8" x 3/4" Meter Size	Carton PCS/WT	Price
5151-147	721-107WXTT 33	6/24	\$230.98	5134-120	721-207WXTT 33	6/29	\$235.52
	721-109WXTT 33	6/27	\$238.00		721-209WXTT 33	6/30	\$238.00
5158-333	721-112WXTT 33	6/30	\$240.69	5134-122	721-212WXTT 33	6/30	\$244.91
	721-115WXTT 33	6/33	\$249.49	5134-123	721-215WXTT 33	6/35	\$253.76
5158-208	721-118WXTT 33	6/39	\$279.42	5134-124	721-218WXTT 33	6/50	\$284.11
	721-121WXTT 33	6/42	\$287.77		721-221WXTT 33	6/48	\$292.39
5158-256	721-124WXTT 33	6/45	\$296.99	5157-343	721-224WXTT 33	6/49	\$301.64

Part No.	3/4" Meter Size	Carton PCS/WT	Price	Part No.	1" Meter Size	Carton PCS/WT	Price
5151-124	721-307WXTT 33	6/29	\$275.67	5157-014	721-410WXTT 44	3/26	\$474.72
	721-309WXTT 33	6/30	\$275.67	5157-326	721-412WXTT 44	3/30	\$483.65
5154-290	721-312WXTT 33	6/30	\$283.05		721-415WXTT 44	3/30	\$494.51
	721-315WXTT 33	6/33	\$292.92	5157-374	721-418WXTT 44	3/32	\$559.00
	721-318WXTT 33	6/39	\$336.92	5151-142	721-421WXTT 44	3/38	\$582.47
	721-321WXTT 33	6/42	\$351.48	5156-279	721-424WXTT 44	3/38	\$589.55
	721-324WXTT 33	6/51	\$362.10				

### Single Setter (with Saddle Nut)

Options - add or subtract from base setter model		1 5/8"	2 5/8" x 3/4"	3 3/4"	4 1"
Standard Ball Valve	W	\$83.78	\$83.78	\$83.78	\$168.10
Full Port Ball Valve	J	\$152.98	\$152.98	\$152.98	\$230.45
Plug Valve	L	\$68.94	\$68.94	\$68.94	\$105.69
Single Check Valve	C	\$76.06	\$76.06	\$76.06	\$91.41
Dual Check - ASSE - Standard	D	\$153.13	\$153.13	\$153.13	\$145.22
Dual Check - Cartridge	D* x 995	See "D" above	See "D" above	See "D" above	See "D" above
Dual Check - Cascading	D* x 992	\$139.73	\$139.73	\$139.73	\$145.23
Dual Check - ASSE - Full Port	M	See "D" above	See "D" above	See "D" above	\$265.79
Meter Swivel Nut	X	N/C	N/C	N/C	N/C
Additional height in 3" increments		\$9.36	\$9.36	\$12.91	\$15.00

### Contact Factory for the following:

1. Handles for ball valves
2. Test cap on check valves
3. 360° turn valve cap (less check)

- NOTES:**
- 12" minimum height for 1" setters with dual check.
  - Horizontal bracing eye, wire seal hole and locking are standard.
  - N/C = No additional charge.

### Tandem Setter (less Saddle Nut)

Change model from 721 series to 751 series

Options - add or subtract from base setter model		1 5/8"	2 5/8" x 3/4"	3 3/4"	4 1"
Standard Ball Valve	Q	\$83.78	\$83.78	\$83.78	\$168.10
Full Port Ball Valve	K	\$152.98	\$152.98	\$152.98	\$230.45
Plug Valve	G	\$68.94	\$68.94	\$68.94	\$105.69
Single Check Valve	A	\$76.06	\$76.06	\$76.06	\$91.41
Dual Check - ASSE - Standard	F	\$153.13	\$153.13	\$153.13	\$145.22
Dual Check - Cartridge	F* x 995	See "F" above	See "F" above	See "F" above	See "F" above
Dual Check - Cascading	F* x 992	\$139.73	\$139.73	\$139.73	\$145.23
Dual Check - ASSE - Full Port	P	See "F" above	See "F" above	See "F" above	\$265.79
Meter Swivel Nut	N	N/C	N/C	N/C	N/C
Tandem adder	7" - 9"	\$164.99	\$176.27	\$214.30	-
	12"	\$164.99	\$176.27	\$215.67	\$321.87
	15"	\$145.05	\$156.26	\$195.74	\$321.87
	18" - 21"	\$149.73	\$161.10	\$200.54	\$321.87
	24" & Above	\$149.73	\$161.10	\$200.54	\$337.85

Tandem Setters or resetters include (2) 74619 connections and "S" tube with meter swivel nuts

### Inlet / Outlet Option Adders (Price per end):

5/8", 5/8" x 3/4", or 3/4" Meters

Option	Size	List	Size	List	Size	List
B - "-3G" PEP Grip	3/4"	N/C	1"	\$16.00		
G - "G" CTS Grip	3/4"	N/C	1"	\$22.01	1 1/4"	\$53.39
H - "H" CTS HandyLoc	3/4"	\$4.44	1"	\$27.08		
J - C903 type	3/4"	\$33.10	1"	\$44.20		
Q - "Q" CTS	3/4"	N/C	1"	\$22.01	1 1/4"	\$53.39
T - "T" CTS	3/4"	N/C	1"	\$22.01	1 1/4"	\$53.39
Y - "-3H" Pep HandyLoc	3/4"	\$5.91	1"	\$24.89		
Z - "-3Q" PEP pipe	3/4"	N/C	1"	\$16.03		

1" Meters

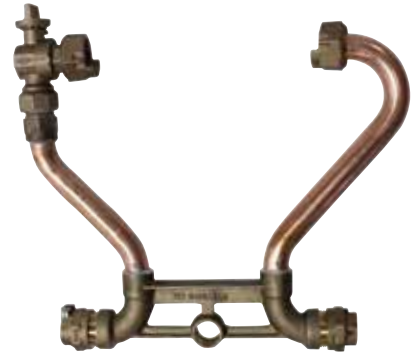
Option	Size	List	Size	List	Size	List
B - "-3G" PEP Grip	1"	\$17.95				
G - "G" CTS Grip	1"	N/C	1 1/4"	\$14.66	1 1/2"	\$29.33
H - "H" CTS HandyLoc	1"	\$5.91				
J - C903 type	1"	\$45.53				
Q - "Q" CTS	1"	N/C	1 1/4"	\$14.66	1 1/2"	\$29.33
T - "T" CTS	1"	N/C	1 1/4"	\$14.66	1 1/2"	\$29.33
Y - "-3H" Pep HandyLoc	1"	\$26.92				
Z - "-3Q" PEP pipe	1"	\$18.07				



## 722 Series

FOR 5/8", 5/8" X 3/4", 3/4", OR 1" METERS

Horizontal Style, Integral -22 CTS, -33 PEP-7, -44 PVC, or -55 IP Compression Inlet/Outlet



To order 722 Series Model No. **722-207WX22 33** above means:

722	-	2	07	INLET OUTLET WX	INLET OUTLET 22		33
Series	Style   -- = Standard	Meter Size   1 = 5/8" 2 = 5/8" x 3/4" 3 = 3/4" 4 = 1"	Meter Height   07 = 7" 09 = 9" 10 = 10" 12 = 12" 15 = 15" 18 = 18" 21 = 21" 24 = 24" 27 = 27"	Inlet and Outlet Valves   C = 3/4" & 1" Port Angle Single Check Valve D = 3/4" Port Angle Dual Check Valve (ASSE 1024) L = Angle Lockwing Plug Valve J = 3/4" & 1" Port Angle Lockwing Ball Valve M = 1" Port Angle Dual Check Valve (ASSE 1024) W = Standard Port Angle Lockwing Ball Valve X = Flanged Tubing with Meter Nut For other special meter connections, contact factory.	Type of connection Inlet and Outlet   5/8", 5/8" x 3/4", 3/4" Meters 2 = -22 CTS MacPak Integral (3/4", 1", 1 1/4", 3/4" x 1", 1" x 3/4", 1" x 1 1/4", or 1 1/4" x 1") 3 = -33 PEP-7 MacPak Integral (3/4", 1", 3/4" x 1", 1" x 3/4") 4 = -44 PVC MacPak Integral (3/4", 1", 3/4" x 1", 1" x 3/4") 5 = -55 IP MacPak Integral (3/4", 1", 3/4" x 1", 1" x 3/4") 9 = -34 PEP-9 MacPak Integral	Blank Space	Size Inlet & Outlet   3 = 3/4" 4 = 1" 5 = 1 1/4" 6 = 1 1/2"
			18" & Taller includes Brace Support Bar				

NOTES: - 12" minimum height for 1" setter with ASSE dual cartridge check valve  
- 10" minimum height for 1" setter with ASSE cascading dual check valve or meter swivel

### For Tandem Series



752  
Series  
Horizontal  
Tandem  
Setter

Example 752-207QN22 33  
Tandem setters are supplied with adapters and "S" tube. Please specify device length and threads when ordering.  
**12" minimum height on 1" tandem**

\*See Plumbing Catalog for meter x meter PRV

A = 3/4" & 1" Port Angle Single Check Valve	1" Meters
F = 3/4" Port Angle Dual Check Valve (ASSE 1024)	2 = -22 CTS MacPak Integral (3/4", 1", 1 1/4", 1 1/2")
G = Angle Lockwing Plug Valve	3 = -33 PEP-7 MacPak Integral (1")
K = 3/4" & 1" Port Angle Lockwing Ball Valve	4 = -44 PVC MacPak Integral (1")
N = Flanged Tubing with Meter Nut	5 = -55 IP MacPak Integral (1")
P = 1" Port Angle Dual Check Valve (ASSE 1024)	9 = -34 PEP-9 MacPak Integral (1")z
Q = Standard Port Angle Lockwing Ball Valve	
Z = Brass Elbow	

NOTE: Unless specified all tandem components have meter nuts without support lip.

- Standard device for 5/8", 5/8" x 3/4", 3/4" = 4" - 5" Long FNPT x FNPT
- Standard device for 1" = 5" - 6" Long FNPT x FNPT

### OPTIONS

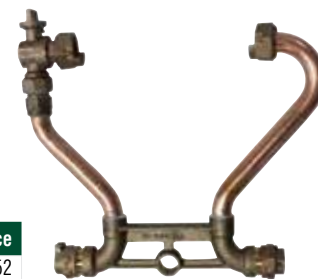
- Assemblies shipped with two 1/8" EPDM rubber meter gaskets.
- Insert stiffeners are required on all flexible plastic connections.
- **Not all combinations available, contact factory with your requirements.**
- **MOST METER SETTERS ARE MADE TO ORDER AND ARE NOT RETURNABLE.**
- **Please verify with the factory that the model number you have configured is available and meets your requirements.**



## 722 Series

FOR 5/8", 5/8" X 3/4", 3/4", OR 1" METERS

Horizontal Style, Integral -22 CTS, -33 PEP-7, -44 PVC, or -55 IP Compression Inlet/Outlet



Model 722-207WX22 33

Part No.	5/8" Meter Size	Carton PCS/WT	Price
5154-081	722-107WX22 33	6/32	\$230.98
5154-111	722-109WX22 33	6/29	\$233.59
5154-141	722-112WX22 33	6/31	\$240.70
5145-046	722-115WX22 33	3/14	\$249.49
5154-201	722-118WX22 33	6/28	\$279.42
	722-121WX22 33	6/30	\$287.77
	722-124WX22 33	6/33	\$296.99

Part No.	5/8" x 3/4" Meter Size	Carton PCS/WT	Price
5140-139	722-207WX22 33	6/30	\$235.52
5140-140	722-209WX22 33	6/30	\$238.00
5140-141	722-212WX22 33	6/30	\$244.91
5140-142	722-215WX22 33	6/33	\$253.76
5140-143	722-218WX22 33	6/36	\$284.10
5158-124	722-221WX22 33	6/39	\$292.39
5140-200	722-224WX22 33	6/42	\$301.64

Part No.	3/4" Meter Size	Carton PCS/WT	Price
5154-231	722-307WX22 33	6/30	\$275.67
	722-309WX22 33	6/33	\$275.67
5154-291	722-312WX22 33	6/30	\$283.05
	722-315WX22 33	6/33	\$292.92
5154-351	722-318WX22 33	6/36	\$336.93
	722-321WX22 33	6/33	\$351.48
	722-324WX22 33	6/36	\$362.10

Part No.	1" Meter Size	Carton PCS/WT	Price
5157-015	722-410WX22 44	3/28	\$474.72
5157-097	722-412WX22 44	3/27	\$483.65
5157-247	722-415WX22 44	3/28	\$494.54
5157-217	722-418WX22 44	3/30	\$559.00
5158-115	722-421WX22 44	3/32	\$582.46
5158-173	722-424WX22 44	3/33	\$589.53

### Single Setter (with Saddle Nut)

		1	2	3	4
Options - add or subtract from base setter model		5/8"	5/8" x 3/4"	3/4"	1"
Standard Ball Valve	W	\$83.78	\$83.78	\$83.78	\$168.10
Full Port Ball Valve	J	\$152.98	\$152.98	\$152.98	\$230.45
Plug Valve	L	\$68.94	\$68.94	\$68.94	\$105.69
Single Check Valve	C	\$76.06	\$76.06	\$76.06	\$91.41
Dual Check - ASSE - Standard	D	\$153.13	\$153.13	\$153.13	\$145.22
Dual Check - Cartridge	D* x 995	See "D" above	See "D" above	See "D" above	See "D" above
Dual Check - Cascading	D* x 992	\$139.73	\$139.73	\$139.73	\$145.23
Dual Check - ASSE - Full Port	M	See "D" above	See "D" above	See "D" above	\$265.79
Meter Swivel Nut	X	N/C	N/C	N/C	N/C
Additional height in 3" increments		\$9.36	\$9.36	\$12.91	\$15.00

### Tandem Setter (less Saddle Nut)

Change model from 722 series to 752 series

		1	2	3	4
Options - add or subtract from base setter model		5/8"	5/8" x 3/4"	3/4"	1"
Standard Ball Valve	Q	\$83.78	\$83.78	\$83.78	\$168.10
Full Port Ball Valve	K	\$152.98	\$152.98	\$152.98	\$230.45
Plug Valve	G	\$68.94	\$68.94	\$68.94	\$105.69
Single Check Valve	A	\$76.06	\$76.06	\$76.06	\$91.41
Dual Check - ASSE - Standard	F	\$153.13	\$153.13	\$153.13	\$145.22
Dual Check - Cartridge	F* x 995	See "F" above	See "F" above	See "F" above	See "F" above
Dual Check - Cascading	F* x 992	\$139.73	\$139.73	\$139.73	\$145.23
Dual Check - ASSE - Full Port	P	See "F" above	See "F" above	See "F" above	\$265.79
Meter Swivel Nut	N	N/C	N/C	N/C	N/C
Tandem adder	7" - 9"	\$164.99	\$176.27	\$214.30	-
	12"	\$164.99	\$176.27	\$215.67	\$321.87
	15"	\$145.05	\$156.26	\$195.74	\$321.87
	18" - 21"	\$149.73	\$161.10	\$200.54	\$321.87
	24" & Above	\$149.73	\$161.10	\$200.54	\$337.85

Tandem Setters or resetters include (2) 74619 connections and "S" tube with meter swivel nuts

### Contact Factory for the following:

- Handles for ball valves
- Test cap on check valves
- 360° turn valve cap (less check)

### NOTES:

- 12" minimum height for 1" setters with dual check.
- Horizontal bracing eye, wire seal hole and lockwing are standard.
- N/C = No additional charge.

### Inlet / Outlet Option Adders (Price per end):

5/8", 5/8" x 3/4", or 3/4" Meters

Option	Size	List	Size	List	Size	List
2 - "-22" CTS	3/4"	N/C	1"	\$16.51	1 1/4"	\$53.39
3 - "-33" PEP	3/4"	N/C	1"	\$16.51		
4 - "-44" PVC	3/4"	N/C	1"	\$16.51		
5 - "-55" IP	3/4"	N/C	1"	\$16.51		

1" Meters

Option	Size	List	Size	List	Size	List
2 - "-22" CTS	1"	N/C	1 1/4"	\$14.66	1 1/2"	\$29.33
3 - "-33" PEP	1"	\$18.07				
4 - "-44" PVC	1"	\$18.07				
5 - "-55" IP	1"	\$18.07				

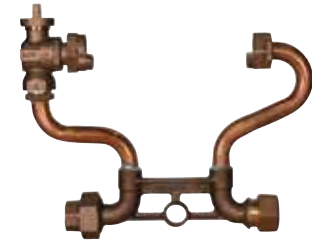




## 723 Series

FOR 5/8", 5/8" X 3/4", 3/4", OR 1" METERS

Horizontal Style, Dual Purpose Union Inlet x Integral CTS Outlet



To order 723 Series Model No. **723-217WXDT 33** above means:

723	-	2	07	INLET OUTLET WX	INLET OUTLET DT		33
Series	Style   -- Standard	Meter Size   1 = 5/8" 2 = 5/8" x 3/4" 3 = 3/4" 4 = 1"	Meter Height   07 = 7" 09 = 9" 10 = 10" 12 = 12" 15 = 15" 18 = 18" 21 = 21" 24 = 24" 27 = 27"	Inlet and Outlet Valves 	Type of connection Inlet and Outlet	Blank Space	Size Inlet & Outlet   1 = 1/2" 3 = 3/4" 4 = 1" 5 = 1 1/4" 6 = 1 1/2"
				<b>C</b> = 3/4" & 1" Port Angle Single Check Valve <b>D</b> = 3/4" Port Angle Dual Check Valve (ASSE 1024) <b>L</b> = Angle Lockwing Plug Valve <b>J</b> = 3/4" & 1" Port Angle Lockwing Ball Valve <b>M</b> = 1" Port Angle Dual Check Valve (ASSE 1024) <b>W</b> = Standard Port Angle Lockwing Ball Valve <b>X</b> = Flanged Tubing with Meter Nut	<b>5/8", 5/8" x 3/4", 3/4" Meters</b> <b>Inlet Union Connections</b> <b>B</b> = -3G PEP -7 Union (3/4") <b>C</b> = Copper Flare Union (3/4" or 1") <b>D</b> = Double Purpose Union (Flare or FNPT) (3/4" or 1") <b>F</b> = FNPT Union (1/2" or 1") <b>G</b> = G CTS McGrip Union (3/4") <b>H</b> = H CTS HandyLoc Union (3/4") <b>J</b> = C903 Union (3/4") <b>L</b> = Less Double Purpose Nut, & Gasket, 3/4" & 1" <b>M</b> = MNPT Union (3/4", 1") <b>Q</b> = Q CTS McQuik Union (3/4" & 1") <b>S</b> = Solder Union (3/4" or 1") <b>T</b> = T CTS Union (3/4" or 1") <b>Z</b> = -3Q PEP-7 Union (3/4")		
			18" & Taller includes Brace Support Bar	Additional heights available, contact factory	For other special meter connections, contact factory.		

**NOTES:** - 12" minimum height for 1" setter with ASSE dual cartridge check valve  
- 10" minimum height for 1" setter with ASSE cascading dual check valve or meter swivel

### For Tandem Series

#### 753 Series Horizontal Tandem Setter



**Example 751-227QNDT 33**  
Tandem setters are supplied with adapters and "S" tube. Please specify device length and threads when ordering.  
**12" minimum height on 1" tandem**

\*See Plumbing Catalog for meter x meter PRV

- Standard device for 5/8", 5/8" x 3/4", 3/4" = 4" - 5" Long FNPT x FNPT
- Standard device for 1" = 5" - 6" Long FNPT x FNPT

- A** = 3/4" & 1" Port Angle Single Check Valve
- F** = 3/4" Port Angle Dual Check Valve (ASSE 1024)
- G** = Angle Lockwing Plug Valve
- K** = 3/4" & 1" Port Angle Lockwing Ball Valve
- N** = Flanged Tubing with Meter Nut
- P** = 1" Port Angle Dual Check Valve (ASSE 1024)
- Q** = Standard Port Angle Lockwing Ball Valve
- Z** = Brass Elbow

- Outlet Integral Connections**
- B** = "-3G" PEP McGrip Integral (3/4", 1")
  - G** = "G" CTS McGrip Integral (3/4", 1", 1 1/4")
  - H** = "H" CTS PE Handyloc Integral (3/4", 1")
  - J** = C903 Integral (3/4", 1")
  - P** = MNPT Integral (3/4")
  - Q** = "Q" CTS McQuik Integral (3/4", 1", 1 1/4")
  - T** = "T" CTS Integral (3/4", 1", 1 1/4")
  - Y** = "-3H" PEP Handyloc Integral (3/4", 1")
  - Z** = "-3Q" PEP McQuik Integral (3/4", 1")

**NOTE:** Unless specified all tandem components have meter nuts without support lip.

- 1" Meters**
- Inlet Union Connections**
- D** = Double Purpose Union (Flare or FNPT) (1")
  - J** = C903 Compression Union (1")
  - L** = Less Double Purpose Nut, Connection & Gasket (1")
  - M** = MNPT Union (1" or 1 1/4")
  - Q** = "Q" CTS McQuik Union (1")
  - S** = Solder Union (1")
  - T** = "T" CTS Union (1")
  - Z** = "-22" CTS MacPak Union (1")

- Outlet Integral Connections**
- B** = "-3G" PEP McGrip Integral (1")
  - G** = "G" CTS McGrip Integral (1", 1 1/4")
  - H** = "H" CTS PE Handyloc Integral (1")
  - J** = C903 Integral (1")
  - P** = MNPT Integral (1")
  - Q** = "Q" CTS McQuik Integral (1", 1 1/4")
  - T** = "T" CTS Integral (1", 1 1/4")
  - Y** = -3H PEP Handyloc Integral (1")
  - Z** = -3Q PEP McQuik Integral (1")

### OPTIONS

- Assemblies shipped with two 1/8" EPDM rubber meter gaskets.
- Insert stiffeners are required on all flexible plastic connections.
- **Not all combinations available, contact factory with your requirements.**
- **MOST METER SETTERS ARE MADE TO ORDER AND ARE NOT RETURNABLE.**
- Please verify with the factory that the model number you have configured is available and meets your requirements.

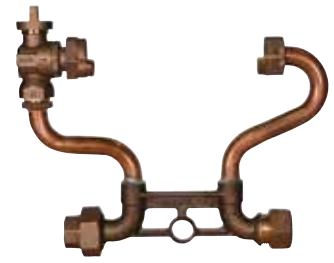




## 723 Series

FOR 5/8", 5/8" X 3/4", 3/4", OR 1" METERS

Horizontal Style, Dual Purpose Union Inlet x Integral CTS Outlet



Model 723-217WXDT 33

Part No.	5/8" Meter Size	Carton PCS/WT	Price
	723-107WXDT 33	6/27	\$234.91
	723-109WXDT 33	6/30	\$237.53
	723-112WXDT 33	6/33	\$244.61
	723-115WXDT 33	6/36	\$253.41
	723-118WXDT 33	6/42	\$283.32
	723-121WXDT 33	6/45	\$291.67
	723-124WXDT 33	6/48	\$300.88

Part No.	5/8" x 3/4" Meter Size	Carton PCS/WT	Price
	723-207WXDT 33	6/27	\$239.44
	723-209WXDT 33	6/30	\$241.85
	723-212WXDT 33	6/33	\$248.77
	723-215WXDT 33	6/36	\$257.68
	723-218WXDT 33	6/42	\$287.99
	723-221WXDT 33	6/45	\$296.35
	723-224WXDT 33	6/48	\$305.52

Part No.	3/4" Meter Size	Carton PCS/WT	Price
	723-307WXDT 33	6/27	\$279.59
	723-309WXDT 33	6/30	\$279.59
	723-312WXDT 33	6/33	\$286.92
	723-315WXDT 33	6/36	\$296.84
	723-318WXDT 33	6/42	\$340.78
	723-321WXDT 33	6/45	\$355.76
	723-324WXDT 33	6/48	\$366.02

Part No.	1" Meter Size	Carton PCS/WT	Price
	723-410WXDT 44	3/24	\$497.50
	723-412WXDT 44	3/26	\$514.73
	723-415WXDT 44	3/27	\$518.69
	723-418WXDT 44	3/30	\$583.22
	723-421WXDT 44	3/32	\$606.61
	723-424WXDT 44	3/33	\$613.75

### Single Setter (with Saddle Nut)

Options - add or subtract from base setter model		1	2	3	4
		5/8"	5/8" x 3/4"	3/4"	1"
Standard Ball Valve	W	\$83.78	\$83.78	\$83.78	\$168.10
Full Port Ball Valve	J	\$152.98	\$152.98	\$152.98	\$230.45
Plug Valve	L	\$68.94	\$68.94	\$68.94	\$105.69
Single Check Valve	C	\$76.06	\$76.06	\$76.06	\$91.41
Dual Check - ASSE - Standard	D	\$153.13	\$153.13	\$153.13	\$145.22
Dual Check - Cartridge	D* x 995	See "D" above	See "D" above	See "D" above	See "D" above
Dual Check - Cascading	D* x 992	\$139.73	\$139.73	\$139.73	\$145.23
Dual Check - ASSE - Full Port	M	See "D" above	See "D" above	See "D" above	\$265.79
Meter Swivel Nut	X	N/C	N/C	N/C	N/C
Additional height in 3" increments		\$9.36	\$9.36	\$12.91	\$15.00

### Tandem Setter (less Saddle Nut)

Change model from 723 series to 753 series

Options - add or subtract from base setter model		1	2	3	4
		5/8"	5/8" x 3/4"	3/4"	1"
Standard Ball Valve	Q	\$83.78	\$83.78	\$83.78	\$168.10
Full Port Ball Valve	K	\$152.98	\$152.98	\$152.98	\$230.45
Plug Valve	G	\$68.94	\$68.94	\$68.94	\$105.69
Single Check Valve	A	\$76.06	\$76.06	\$76.06	\$91.41
Dual Check - ASSE - Standard	F	\$153.13	\$153.13	\$153.13	\$145.22
Dual Check - Cartridge	F* x 995	See "F" above	See "F" above	See "F" above	See "F" above
Dual Check - Cascading	F* x 992	\$139.73	\$139.73	\$139.73	\$145.23
Dual Check - ASSE - Full Port	P	See "F" above	See "F" above	See "F" above	\$265.79
Meter Swivel Nut	N	N/C	N/C	N/C	N/C
Tandem adder	7" - 9"	\$164.99	\$176.27	\$214.30	-
	12"	\$164.99	\$176.27	\$215.67	\$321.87
	15"	\$145.05	\$156.26	\$195.74	\$321.87
	18" - 21"	\$149.73	\$161.10	\$200.54	\$321.87
	24" & Above	\$149.73	\$161.10	\$200.54	\$337.85

### Contact Factory for the following:

1. Handles for ball valves
2. Test cap on check valves
3. 360° turn valve cap (less check)

### NOTES:

- 12" minimum height for 1" setters with dual check.
- Horizontal bracing eye, wire seal hole and locking are standard.
- N/C = No additional charge.

Tandem Setters or resetters include (2) 74619 connections and "S" tube with meter swivel nuts

### Inlet Option Adders (Price per end):

5/8", 5/8" x 3/4", or 3/4" Meters

Option	Size	List	Size	List
B - "-3G" PEP McGrip union	3/4"	\$55.37		
C - Copper flare union	3/4"	\$26.86	1"	\$48.33
D - Double Purpose union (Flare or FNPT)	3/4"	N/C		
F - FNPT union	1/2"	\$13.93	1"	\$12.52
G - "G" CTS union	3/4"	\$19.17		
H - "H" CTS HandyLoc union	3/4"	\$23.61		
J - C903 type union	3/4"	\$52.27		
L - Less end connection	3/4"	-\$19.64		
M - MNPT union	3/4"	N/C	1"	\$12.52
Q - "Q" CTS union	3/4"	\$19.17	1"	\$44.02
S - Solder union	3/4"	N/C	1"	\$6.51
T - "T" CTS union	3/4"	\$19.17	1"	\$44.02
Z - 3Q PEP union	3/4"	\$55.37		
2 - "-22" CTS union	3/4"	\$19.17	1"	\$44.02
3 - "-33" PEP union	3/4"	\$55.37		
4 - "-44" PVC union	3/4"	\$55.37		
5 - "-55" IP union	3/4"	\$55.37		

### 1" Meters

Option	Size	List
D - Double Purpose union (Flare or FNPT)	1"	N/C
J - C903 type union	1"	\$45.53
L - Less end connection	1"	-\$28.87
M - MNPT union	1"	N/C
Q - "Q" CTS union	1"	\$34.82
S - Solder union	1"	N/C
T - "T" CTS union	1"	\$34.82
2 - "-22" CTS union	1"	\$34.82

### Outlet Option Adders (Price per end): 5/8", 5/8" x 3/4", or 3/4" Meters

Option	Size	List	Size	List	Size	List
B - "-3G" PEP Grip	3/4"	N/C	1"	\$16.48		
G - "G" CTS Grip	3/4"	N/C	1"	\$22.01	1 1/4"	\$53.39
H - "H" CTS HandyLoc	3/4"	\$4.44	1"	\$27.90		
J - C903 type	3/4"	\$33.10	1"	\$45.54		
P - MNPT	3/4"	N/C	1"	N/C		
Q - "Q" CTS	3/4"	N/C	1"	\$22.01	1 1/4"	\$53.39
T - "T" CTS	3/4"	N/C	1"	\$22.01	1 1/4"	\$53.39
Y - "-3H" Pep HandyLoc	3/4"	\$5.91	1"	\$25.38		
Z - "-3Q" PEP pipe	3/4"	N/C	1"	\$16.49		

### 1" Meters

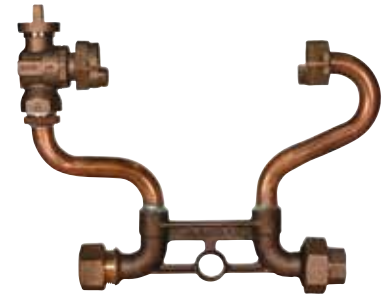
Option	Size	List	Size	List
B - "-3G" PEP Grip	1"	\$16.49		
G - "G" CTS Grip	1"	N/C	1 1/4"	\$13.45
H - "H" CTS HandyLoc	1"	\$5.91		
J - C903 type	1"	\$45.53		
P - MNPT	1"	N/C		
Q - "Q" CTS	1"	N/C	1 1/4"	\$13.45
T - "T" CTS	1"	N/C	1 1/4"	\$13.45
Y - "-3H" Pep HandyLoc	1"	\$24.70		
Z - "-3Q" PEP pipe	1"	\$16.56		



## 724 Series

FOR 5/8", 5/8" X 3/4", 3/4", OR 1" METERS

Horizontal Style, Integral CTS, PEP, or C903 Compression - Inlet x Dual Purpose Union Outlet



To order 724 Series Model No. **724-207WXTD 33** above means:

724	-	2	07	INLET OUTLET WX	INLET OUTLET TD		33
Series	Style - = Standard	Meter Size 1 = 5/8" 2 = 5/8" x 3/4" 3 = 3/4" 4 = 1"	Meter Height 07 = 7" 09 = 9" 10 = 10" 12 = 12" 15 = 15" 18 = 18" 21 = 21" 24 = 24" 27 = 27"	Inlet and Outlet Valves C = 3/4" & 1" Port Angle Single Check Valve D = 3/4" Port Angle Dual Check Valve (ASSE 1024) L = Angle Lockwing Plug Valve J = 3/4" & 1" Port Angle Lockwing Ball Valve M = 1" Port Angle Dual Check Valve (ASSE 1024) W = Standard Port Angle Lockwing Ball Valve X = Flanged Tubing with Meter Nut	Type of connection Inlet and Outlet 5/8", 5/8" x 3/4", 3/4" Meters Inlet Integral Connections B = "-3G" PEP McGrip Integral (3/4", 1") G = "G" CTS McGrip Integral (3/4", 1", 1 1/4") H = "H" CTS PE Handyloc Integral (3/4", 1") J = C903 Integral (3/4", 1") P = MNPT Integral (3/4") Q = "Q" CTS McQuik Integral (3/4", 1", 1 1/4") T = "T" CTS Integral (3/4", 1", 1 1/4") Y = "-3H" PEP Handyloc Integral (3/4", 1") Z = "-3Q" PEP McQuik Integral (3/4", 1")	Blank Space	Size Inlet & Outlet 1 = 1/2" 3 = 3/4" 4 = 1" 5 = 1 1/4"
			18" & Taller includes Brace Support Bar				
			Additional heights available, contact factory				

NOTES: - 12" minimum height for 1" setter with ASSE dual cartridge check valve  
- 10" minimum height for 1" setter with ASSE cascading dual check valve or meter swivel

For other special meter connections, contact factory.

### For Tandem Series

#### 754 Series Horizontal Tandem Setter



**Example 754-207QNTD 33**  
Tandem setters are supplied with adapters and "S" tube. Please specify device length and threads when ordering.  
**12" minimum height on 1" tandem**

\*See Plumbing Catalog for meter x meter PRV

- Standard device for 5/8", 5/8" x 3/4", 3/4" = 4" - 5" Long FNPT x FNPT
- Standard device for 1" = 5" - 6" Long FNPT x FNPT

- A = 3/4" & 1" Port Angle Single Check Valve
- F = 3/4" Port Angle Dual Check Valve (ASSE 1024)
- G = Angle Lockwing Plug Valve
- K = 3/4" & 1" Port Angle Lockwing Ball Valve
- N = Flanged Tubing with Meter Nut
- P = 1" Port Angle Dual Check Valve (ASSE 1024)
- Q = Standard Port Angle Lockwing Ball Valve
- Z = Brass Elbow

NOTE: Unless specified all tandem components have meter nuts without support lip.

### OPTIONS

- Assemblies shipped with two 1/8" EPDM rubber meter gaskets.
- Insert stiffeners are required on all flexible plastic connections.
- **Not all combinations available, contact factory with your requirements.**
- **MOST METER SETTERS ARE MADE TO ORDER AND ARE NOT RETURNABLE.**
- Please verify with the factory that the model number you have configured is available and meets your requirements.

- #### 1" Meters
- ##### Inlet Integral Connections
- B = "-3G" PEP McGrip Integral (1")
  - G = "G" CTS McGrip Integral (1", 1 1/4")
  - H = "H" CTS PE Handyloc Integral (1")
  - J = C903 Integral (1")
  - P = MNPT Integral (1")
  - Q = "Q" CTS McQuik Integral (1", 1 1/4")
  - T = "T" CTS Integral (1", 1 1/4")
  - Y = "-3H" PEP Handyloc Integral (1")
  - Z = "-3Q" PEP McQuik Integral (1")

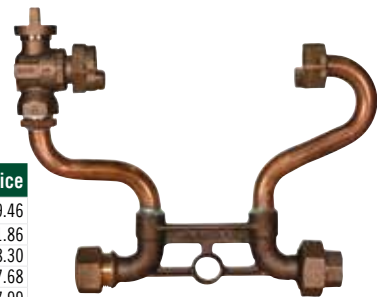
- ##### Outlet Union Connections
- D = Double Purpose Union (Flare or FNPT) (1")
  - J = C903 Union (1")
  - L = Less Double Purpose Nut, Connection & Gasket
  - M = MNPT Union (1" or 1 1/4")
  - Q = "Q" CTS McQuik Union (1")
  - S = Solder Union (1")
  - T = "T" CTS Union (1")
  - Z = -22 CTS MacPak Union (1")



## 724 Series

FOR 5/8", 5/8" X 3/4", 3/4", OR 1" METERS

Horizontal Style, Integral CTS, PEP, or C903 Compression - Inlet x Dual Purpose Union Outlet



Model 724-207WXTD 33

Part No.	5/8" Meter Size	Carton PCS/AWT	Price
	724-107WXTD 33	6/30	\$234.91
	724-109WXTD 33	6/33	\$237.53
	724-112WXTD 33	6/36	\$244.61
	724-115WXTD 33	6/39	\$253.41
	724-118WXTD 33	6/45	\$283.32
	724-121WXTD 33	6/48	\$291.67
	724-124WXTD 33	6/51	\$300.88

Part No.	5/8" x 3/4" Meter Size	Carton PCS/AWT	Price
5134-130	724-207WXTD 33	6/33	\$239.46
5134-131	724-209WXTD 33	6/27	\$241.86
	724-212WXTD 33	6/36	\$248.30
	724-215WXTD 33	6/39	\$257.68
	724-218WXTD 33	6/45	\$287.99
	724-221WXTD 33	6/48	\$296.35
	724-224WXTD 33	6/51	\$305.52

Part No.	3/4" Meter Size	Carton PCS/AWT	Price
	724-307WXTD 33	6/30	\$279.59
	724-309WXTD 33	6/33	\$279.59
	724-312WXTD 33	6/36	\$286.92
5145-292	724-315WXTD 33	6/39	\$296.86
	724-318WXTD 33	6/45	\$340.78
	724-321WXTD 33	6/48	\$355.76
	724-324WXTD 33	6/51	\$366.02

Part No.	1" Meter Size	Carton PCS/AWT	Price
5153-091	724-410WXTD 44	3/30	\$497.50
	724-412WXTD 44	3/30	\$507.81
5144-495	724-415WXTD 44	3/29	\$518.72
	724-418WXTD 44	3/32	\$583.22
5156-349	724-421WXTD 44	3/39	\$606.60
	724-424WXTD 44	3/42	\$613.75

### Single Setter (with Saddle Nut)

Options - add or subtract from base setter model		1 2 3 4			
		5/8"	5/8" x 3/4"	3/4"	1"
Standard Ball Valve	W	\$83.78	\$83.78	\$83.78	\$168.10
Full Port Ball Valve	J	\$152.98	\$152.98	\$152.98	\$230.45
Plug Valve	L	\$68.94	\$68.94	\$68.94	\$105.69
Single Check Valve	C	\$76.06	\$76.06	\$76.06	\$91.41
Dual Check - ASSE - Standard	D	\$153.13	\$153.13	\$153.13	\$145.22
Dual Check - Cartridge	D* x 995	See "D" above	See "D" above	See "D" above	See "D" above
Dual Check - Cascading	D* x 992	\$139.73	\$139.73	\$139.73	\$145.23
Dual Check - ASSE - Full Port	M	See "D" above	See "D" above	See "D" above	\$265.79
Meter Swivel Nut	X	N/C	N/C	N/C	N/C
Additional height in 3" increments		\$9.36	\$9.36	\$12.91	\$15.00

### Outlet Option Adders (Price per end):

5/8", 5/8" x 3/4", or 3/4" Meters

Option	Size	List	Size	List
B - "-3G" PEP McGrip Union	3/4"	\$55.37		
C - Copper flare union	3/4"	\$26.86	1"	\$48.33
D - Double Purpose union (Flare or FNPT)	3/4"	N/C		
F - FNPT union	1/2"	\$13.93	1"	\$12.52
G - "G" CTS union	3/4"	\$19.17		
H - "H" CTS HandyLoc union	3/4"	\$23.61		
J - C903 type union	3/4"	\$52.27		
L - Less end connection	3/4"	-\$19.64		
M - MNPT union	3/4"	N/C	1"	\$12.52
Q - "Q" CTS union	3/4"	\$19.17	1"	\$44.02
S - Solder union	3/4"	N/C	1"	\$6.51
T - "T" CTS union	3/4"	\$19.17	1"	\$44.02
Z - 3Q PEP union	3/4"	\$55.37		
2 - "-22" CTS union	3/4"	\$19.17	1"	\$44.02
3 - "-33" PEP union	3/4"	\$55.37		
4 - "-44" PVC union	3/4"	\$55.37		
5 - "-55" IP union	3/4"	\$55.37		

### Tandem Setter (less Saddle Nut)

Change model from 724 series to 754 series

Options - add or subtract from base setter model		1 2 3 4			
		5/8"	5/8" x 3/4"	3/4"	1"
Standard Ball Valve	Q	\$83.78	\$83.78	\$83.78	\$168.10
Full Port Ball Valve	K	\$152.98	\$152.98	\$152.98	\$230.45
Plug Valve	G	\$68.94	\$68.94	\$68.94	\$105.69
Single Check Valve	A	\$76.06	\$76.06	\$76.06	\$91.41
Dual Check - ASSE - Standard	F	\$153.13	\$153.13	\$153.13	\$145.22
Dual Check - Cartridge	F* x 995	See "F" above	See "F" above	See "F" above	See "F" above
Dual Check - Cascading	F* x 992	\$139.73	\$139.73	\$139.73	\$145.23
Dual Check - ASSE - Full Port	P	See "F" above	See "F" above	See "F" above	\$265.79
Meter Swivel Nut	N	N/C	N/C	N/C	N/C
Tandem adder					
	7" - 9"	\$164.99	\$176.27	\$214.30	-
	12"	\$164.99	\$176.27	\$215.67	\$321.87
	15"	\$145.05	\$156.26	\$195.74	\$321.87
	18" - 21"	\$149.73	\$161.10	\$200.54	\$321.87
	24" Above &	\$149.73	\$161.10	\$200.54	\$337.85

### 1" Meters

Option	Size	List
D - Double Purpose Union (Flare or FNPT)	1"	N/C
J - C903 type union	1"	\$45.53
L - Less end connection	1"	-\$28.87
M - MNPT union	1"	N/C
Q - "Q" CTS union	1"	\$34.82
S - Solder union	1"	N/C
T - "T" CTS union	1"	\$34.82
2 - "-22" CTS union	1"	\$34.82

### Contact Factory for the following:

- Handles for ball valves
- Test cap on check valves
- 360° turn valve cap (less check)

### NOTES:

- 12" minimum height for 1" setters with dual check.
- Horizontal bracing eye, wire seal hole and lockwing are standard.
- N/C = No additional charge.

Tandem Setters or resetters include (2) 74619 connections and "S" tube with meter swivel nuts

### Inlet Option Adders (Price per end):

5/8", 5/8" x 3/4", or 3/4" Meters

Option	Size	List	Size	List	Size	List
B - "-3G" PEP Grip	3/4"	N/C	1"	\$16.48		
G - "G" CTS Grip	3/4"	N/C	1"	\$22.01	1 1/4"	\$53.39
H - "H" CTS HandyLoc	3/4"	\$4.44	1"	\$27.90		
J - C903 type	3/4"	\$33.10	1"	\$45.54		
P - MNPT	3/4"	N/C	1"	N/C		
Q - "Q" CTS	3/4"	N/C	1"	\$22.01	1 1/4"	\$53.39
T - "T" CTS	3/4"	N/C	1"	\$22.01	1 1/4"	\$53.39
Y - "-3H" Pep HandyLoc	3/4"	\$5.91	1"	\$25.38		
Z - "-3Q" PEP pipe	3/4"	N/C	1"	\$16.49		

### 1" Meters

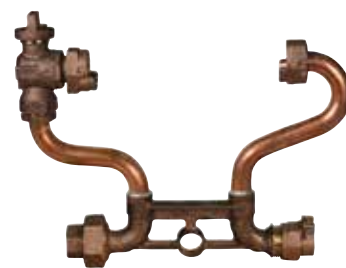
Option	Size	List	Size	List
B - "-3G" PEP Grip	1"	\$16.49		
G - "G" CTS Grip	1"	N/C	1 1/4"	\$13.45
H - "H" CTS HandyLoc	1"	\$5.91		
J - C903 type	1"	\$45.53		
P - MNPT	1"	N/C		
Q - "Q" CTS	1"	N/C	1 1/4"	\$13.45
T - "T" CTS	1"	N/C	1 1/4"	\$13.45
Y - "-3H" Pep HandyLoc	1"	\$24.70		
Z - "-3Q" PEP pipe	1"	\$16.56		



## 725 Series

FOR 5/8", 5/8" X 3/4", 3/4", OR 1" METERS

Horizontal Style, Dual Purpose Union Inlet x Integral CTS, PEP, or IP Compression -22, -33, -44, -55 Outlet



To order 725 Series Model No. **725-207WXD2 33** above means:

725	-	2	07	INLET OUTLET WX	INLET OUTLET D2		33
Series	Style   - = Standard	Meter Size 	Meter Height 	Inlet and Outlet Valves 	Type of connection Inlet and Outlet	Blank Space	Size Inlet & Outlet 
		1 = 5/8" 2 = 5/8" x 3/4" 3 = 3/4" 4 = 1"	07 = 7" 09 = 9" 10 = 10" 12 = 12" 15 = 15" 18 = 18" 21 = 21" 24 = 24" 27 = 27"	C = 3/4" & 1" Port Angle Single Check Valve D = 3/4" Port Angle Dual Check Valve (ASSE 1024) L = Angle Lockwing Plug Valve J = 3/4" & 1" Port Angle Lockwing Ball Valve M = 1" Port Angle Dual Check Valve (ASSE 1024) W = Standard Port Angle Lockwing Ball Valve X = Flanged Tubing with Meter Nut	5/8", 5/8" x 3/4", 3/4" Meters <b>Inlet Union Connections</b> B = -3G PEP -7 Union (3/4") C = Copper Flare Union (3/4" or 1") D = Double Purpose Union (Flare or FNPT) (3/4") F = FNPT Union (1/2" or 1") G = "G" CTS McGrip Union (3/4") H = "H" CTS HandyLoc Union (3/4") J = C903 Union (3/4") L = Less Double Purpose Nut, Connection & Gasket M = MNPT Union (3/4", 1") Q = "Q" CTS McQuik Union (3/4" & 1") S = Solder Union (3/4" or 1") T = "T" CTS Union (3/4" or 1") Z = -3Q PEP-7 Union (3/4") 2 = "-22" CTS MacPak Union (3/4" or 1") 3 = "-33" PEP MacPak Union (3/4") 4 = "-44" PVC MacPak Union (3/4") 5 = "-55" IP MacPak Union (3/4")		1 = 1/2" 3 = 3/4" 4 = 1" 5 = 1 1/4"
	<b>18" &amp; Taller includes Brace Support Bar</b>		Additional heights available, contact factory	For other special meter connections, contact factory.			

**NOTES:** - 12" minimum height for 1" setter with ASSE dual cartridge check valve  
- 10" minimum height for 1" setter with ASSE cascading dual check valve or meter swivel

### For Tandem Series

#### 755 Series Horizontal Tandem Setter



**Example 755-207QND2 33**  
Tandem setters are supplied with adapters and "S" tube. Please specify device length and threads when ordering.  
**12" minimum height on 1" tandem**

\*See Plumbing Catalog for meter x meter PRV

- Standard device for 5/8", 5/8" x 3/4", 3/4" = 4" - 5" Long FNPT x FNPT
- Standard device for 1" = 5" - 6" Long FNPT x FNPT

- A = 3/4" & 1" Port Angle Single Check Valve
- F = 3/4" Port Angle Dual Check Valve (ASSE 1024)
- G = Angle Lockwing Plug Valve
- K = 3/4" & 1" Port Angle Lockwing Ball Valve
- N = Flanged Tubing with Meter Nut
- P = 1" Port Angle Dual Check Valve (ASSE 1024)
- Q = Standard Port Angle Lockwing Ball Valve
- Z = Brass Elbow

**NOTE:** Unless specified all tandem components have meter nuts without support lip.

#### Outlet Intergral Connections

- P = MNPT Integral (3/4")
- 2 = "-22" CTS MacPak Integral (3/4", 1", 1 1/4", 1" x 1 1/4" or 1 1/4" x 1")
- 3 = "-33" PEP MacPak Integral (3/4", 1")
- 4 = "-44" PVC MacPak Integral (3/4", 1")
- 5 = "-55" IP MacPak Integral (3/4", 1")

#### 1" Meters

##### Inlet Union Connections

- D = Double Purpose Union (Flare or FNPT) (1")
- J = C903 Union (1")
- L = Less Double Purpose Nut, Connection & Gasket
- M = MNPT Union (1" or 1 1/4")
- Q = "Q" CTS McQuik Union (1")
- S = Solder Union (1")
- T = "T" CTS Union (1")
- 2 = "-22" CTS MacPak Union (1")

##### Outlet Intergral Connections

- P = MNPT Integral (1")
- 2 = "-22" CTS MacPak Integral (1", 1 1/4")
- 3 = "-33" PEP MacPak Integral (1")
- 4 = "-44" PVC MacPak Integral (1")
- 5 = "-55" IP MacPak Integral (1")

### OPTIONS

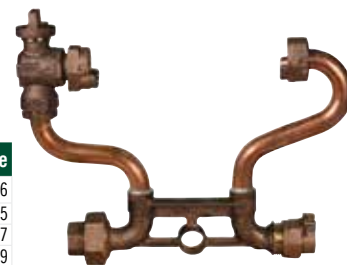
- Assemblies shipped with two 1/8" EPDM rubber meter gaskets.
- Insert stiffeners are required on all flexible plastic connections.
- **Not all combinations available, contact factory with your requirements.**
- **MOST METER SETTERS ARE MADE TO ORDER AND ARE NOT RETURNABLE.**
- Please verify with the factory that the model number you have configured is available and meets your requirements.



## 725 Series

FOR 5/8", 5/8" X 3/4", 3/4", OR 1" METERS

Horizontal Style, Dual Purpose Union Inlet x Integral CTS, PEP, or IP Compression -22, -33, -44, -55 Outlet



Model 725-207WXD2 33

Part No.	5/8" Meter Size	Carton PCS/WT	Price
	725-107WXD2 33	6/30	\$234.91
	725-109WXD2 33	6/30	\$237.53
	725-112WXD2 33	6/30	\$244.61
	725-115WXD2 33	6/30	\$253.41
	725-118WXD2 33	6/30	\$283.32
	725-121WXD2 33	6/30	\$291.67
	725-124WXD2 33	6/30	\$300.88

Part No.	5/8" x 3/4" Meter Size	Carton PCS/WT	Price	
	5145-307	725-207WXD2 33	6/27	\$239.46
		725-209WXD2 33	6/30	\$241.85
		725-212WXD2 33	6/30	\$248.77
	5144-472	725-215WXD2 33	6/30	\$257.69
		725-218WXD2 33	6/30	\$287.99
		725-221WXD2 33	6/30	\$296.35
	5158-217	725-224WXD2 33	6/30	\$305.50

Part No.	3/4" Meter Size	Carton PCS/WT	Price
	725-307WXD2 33	6/30	\$279.59
	725-309WXD2 33	6/30	\$279.59
	725-312WXD2 33	6/30	\$286.92
	725-315WXD2 33	6/30	\$296.84
	725-318WXD2 33	6/30	\$340.78
	725-321WXD2 33	6/30	\$355.76
	725-324WXD2 33	6/30	\$366.02

Part No.	1" Meter Size	Carton PCS/WT	Price	
	725-410WXD2 44		\$497.50	
	5151-284	725-412WXD2 44	3/36	\$507.82
		725-415WXD2 44	6/30	\$518.69
		725-418WXD2 44	6/30	\$583.22
		725-421WXD2 44	6/30	\$606.61
		725-424WXD2 44	6/30	\$613.75

### Single Setter (with Saddle Nut)

Options - add or subtract from base setter model	1 2 3 4				
	5/8"	5/8" x 3/4"	3/4"	1"	
Standard Ball Valve	W	\$83.78	\$83.78	\$83.78	\$168.10
Full Port Ball Valve	J	\$152.98	\$152.98	\$152.98	\$230.45
Plug Valve	L	\$68.94	\$68.94	\$68.94	\$105.69
Single Check Valve	C	\$76.06	\$76.06	\$76.06	\$91.41
Dual Check - ASSE - Standard	D	\$153.13	\$153.13	\$153.13	\$145.22
Dual Check - Cartridge	D* x 995	See "D" above	See "D" above	See "D" above	See "D" above
Dual Check - Cascading	D* x 992	\$139.73	\$139.73	\$139.73	\$145.23
Dual Check - ASSE - Full Port	M	See "D" above	See "D" above	See "D" above	\$265.79
Meter Swivel Nut	X	N/C	N/C	N/C	N/C
Additional height in 3" increments		\$9.36	\$9.36	\$12.91	\$15.00

### Tandem Setter (less Saddle Nut)

Change model from 725 series to 755 series

Options - add or subtract from base setter model	1 2 3 4				
	5/8"	5/8" x 3/4"	3/4"	1"	
Standard Ball Valve	Q	\$83.78	\$83.78	\$83.78	\$168.10
Full Port Ball Valve	K	\$152.98	\$152.98	\$152.98	\$230.45
Plug Valve	G	\$68.94	\$68.94	\$68.94	\$105.69
Single Check Valve	A	\$76.06	\$76.06	\$76.06	\$91.41
Dual Check - ASSE - Standard	F	\$153.13	\$153.13	\$153.13	\$145.22
Dual Check - Cartridge	F* x 995	See "F" above	See "F" above	See "F" above	See "F" above
Dual Check - Cascading	F* x 992	\$139.73	\$139.73	\$139.73	\$145.23
Dual Check - ASSE - Full Port	P	See "F" above	See "F" above	See "F" above	\$265.79
Meter Swivel Nut	N	N/C	N/C	N/C	N/C
Tandem adder	7" - 9"	\$164.99	\$176.27	\$214.30	-
	12"	\$164.99	\$176.27	\$215.67	\$321.87
	15"	\$145.05	\$156.26	\$195.74	\$321.87
	18" - 21"	\$149.73	\$161.10	\$200.54	\$321.87
	24" & Above	\$149.73	\$161.10	\$200.54	\$337.85

### Inlet Option Adders (Price per end): 5/8", 5/8" x 3/4", or 3/4" Meters

Option	Size	List	Size	List
B - "-3G" PEP McGrip union	3/4"	\$55.37		
C - Copper flare union	3/4"	\$26.86	1"	\$48.33
D - Double Purpose union (Flare or FNPT)	3/4"	N/C		
F - FNPT union	1/2"	\$13.93	1"	\$12.52
G - "G" CTS union	3/4"	\$19.17		
H - "H" CTS HandyLoc union	3/4"	\$23.61		
J - C903 type union	3/4"	\$52.27		
L - Less end connection	3/4"	-\$19.64		
M - MNPT union	3/4"	N/C	1"	\$12.52
Q - "Q" CTS union	3/4"	\$19.17	1"	\$44.02
S - Solder union	3/4"	N/C	1"	\$6.51
T - "T" CTS union	3/4"	\$19.17	1"	\$44.02
Z - 3Q PEP union	3/4"	\$55.37		
2 - "-22" CTS union	3/4"	\$19.17	1"	\$44.02
3 - "-33" PEP union	3/4"	\$55.37		
4 - "-44" PVC union	3/4"	\$55.37		
5 - "-55" IP union	3/4"	\$55.37		

### 1" Meters

Option	Size	List
D - Double Purpose Union (Flare or FNPT)	1"	N/C
J - C903 type union	1"	\$45.53
L - Less end connection	1"	-\$28.87
M - MNPT union	1"	N/C
Q - "Q" CTS union	1"	\$34.82
S - Solder union	1"	N/C
T - "T" CTS union	1"	\$34.82
2 - "-22" CTS union	1"	\$34.82

### Contact Factory for the following:

- Handles for ball valves
- Test cap on check valves
- 360° turn valve cap (less check)

### NOTES:

- 12" minimum height for 1" setters with dual check.
- Horizontal bracing eye, wire seal hole and locking are standard.
- N/C = No additional charge.

Tandem Setters or resetters include (2) 74619 connections and "S" tube with meter swivel nuts

### Outlet Option Adders (Price per end):

5/8", 5/8" x 3/4", or 3/4" Meters

Option	Size	List	Size	List	Size	List
P - MNPT	3/4"	N/C				
2 - "-22" CTS	3/4"	N/C	1"	\$16.51	1 1/4"	\$53.39
3 - "-33" PEP	3/4"	N/C	1"	\$16.51		
4 - "-44" PVC	3/4"	N/C	1"	\$16.51		
5 - "-55" IP	3/4"	N/C	1"	\$16.51		

### 1" Meters

Option	Size	List	Size	List
P - MNPT	1"	N/C		
2 - "-22" CTS	1"	N/C	1 1/4"	\$14.66
3 - "-33" PEP	1"	\$18.07		
4 - "-44" PVC	1"	\$18.07		
5 - "-55" IP	1"	\$18.07		



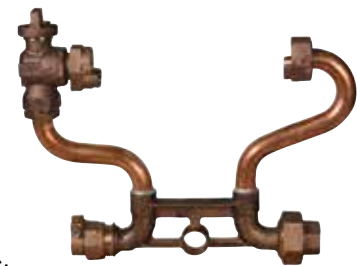


## 726 Series

FOR 5/8", 5/8" X 3/4", 3/4", OR 1" METERS

Horizontal Style, Integral -22 CTS, -33 PEP-7, -44 PVC, or -55 IP Compression

Inlet x Dual Purpose Union Outlet



To order 726 Series Model No. **726-207WX2D 33** above means:

726	-	2	07	INLET OUTLET WX	INLET OUTLET 2D		33
Series	Style   -- = Standard	Meter Size 	Meter Height 	Inlet and Outlet Valves 	Type of connection Inlet and Outlet 	Blank Space 	Size Inlet & Outlet 
		1 = 5/8" 2 = 5/8" x 3/4" 3 = 3/4" 4 = 1"	07 = 7" 09 = 9" 10 = 10" 12 = 12" 15 = 15" 18 = 18" 21 = 21" 24 = 24" 27 = 27"	<b>C</b> = 3/4" & 1" Port Angle Single Check Valve <b>D</b> = 3/4" Port Angle Dual Check Valve (ASSE 1024) <b>L</b> = Angle Lockwing Plug Valve <b>J</b> = 3/4" & 1" Port Angle Lockwing Ball Valve <b>M</b> = 1" Port Angle Dual Check Valve (ASSE 1024) <b>W</b> = Standard Port Angle Lockwing Ball Valve <b>X</b> = Flanged Tubing with Meter Nut	 5/8", 5/8" x 3/4", 3/4" Meters <b>Inlet Integral Connections</b> <b>P</b> = MNPT Integral (3/4") <b>2</b> = "-22" CTS MacPak Integral (3/4", 1", 1 1/4") <b>3</b> = "-33" PEP MacPak Integral (3/4", 1") <b>4</b> = "-44" PVC MacPak Integral (3/4", 1") <b>5</b> = "-55" IP MacPak Integral (3/4", 1") <b>Outlet Union Connections</b> <b>B</b> = -3G PEP -7 Union (3/4") <b>C</b> = Copper Flare Union (3/4" or 1") <b>D</b> = Double Purpose Union (Flare or FNPT) (3/4") <b>F</b> = FNPT Union (1/2" or 1") <b>G</b> = "G" CTS McGrip Union (3/4") <b>H</b> = "H" CTS HandyLoc Union (3/4") <b>J</b> = C903 Union (3/4") <b>L</b> = Less Double Purpose Nut, Connection & Gasket <b>M</b> = MNPT Union (3/4", 1") <b>Q</b> = "Q" CTS McQuik Union (3/4" & 1") <b>S</b> = Solder Union (3/4" or 1") <b>T</b> = "T" CTS Union (3/4" or 1") <b>Z</b> = -3Q PEP-7 Union (3/4") <b>2</b> = "-22" CTS MacPak Union (3/4" or 1") <b>3</b> = "-33" PEP MacPak Union (3/4") <b>4</b> = "-44" PVC MacPak Union (3/4") <b>5</b> = "-55" IP MacPak Union (3/4")		1 = 1/2" 3 = 3/4" 4 = 1" 5 = 1 1/4"
	<b>18" &amp; Taller includes Brace Support Bar</b>		Additional heights available, contact factory	For other special meter connections, contact factory.			

**NOTES:** - 12" minimum height for 1" setter with ASSE dual cartridge check valve  
- 10" minimum height for 1" setter with ASSE cascading dual check valve or meter swivel

### For Tandem Series



**756  
Series  
Horizontal  
Tandem  
Setter**

**Example 756-207QN2D 33**  
Tandem setters are supplied with adapters and "S" tube. Please specify device length and threads when ordering.  
**12" minimum height on 1" tandem**

\*See Plumbing Catalog for meter x meter PRV

- A** = 3/4" & 1" Port Angle Single Check Valve
  - F** = 3/4" Port Angle Dual Check Valve (ASSE 1024)
  - G** = Angle Lockwing Plug Valve
  - K** = 3/4" & 1" Port Angle Lockwing Ball Valve
  - N** = Flanged Tubing with Meter Nut
  - P** = 1" Port Angle Dual Check Valve (ASSE 1024)
  - Q** = Standard Port Angle Lockwing Ball Valve
  - Z** = Brass Elbow
- NOTE:** Unless specified all tandem components have meter nuts without support lip.
- 1" Meters**  
**Inlet Integral Connections**  
**P** = MNPT Integral (1")  
**2** = "-22" CTS MacPak Integral (1", 1 1/4")  
**3** = "-33" PEP MacPak Integral (1")  
**4** = "-44" PVC MacPak Integral (1")  
**5** = "-55" IP MacPak Integral (1")
- Outlet Union Connections**  
**D** = Double Purpose Union (Flare or FNPT) (1")  
**J** = C903 Union (1")  
**L** = Less Double Purpose Nut, Connection & Gasket (1")  
**M** = MNPT Union (1" or 1 1/4")  
**Q** = "Q" CTS McQuik Union (1")  
**S** = Solder Union (1")  
**T** = "T" CTS Union (1")  
**2** = "-22" CTS MacPak Union (1")

- Standard device for 5/8", 5/8" x 3/4", 3/4" = 4"- 5" Long FNPT x FNPT
- Standard device for 1" = 5"- 6" Long FNPT x FNPT

### OPTIONS

- Assemblies shipped with two 1/8" EPDM rubber meter gaskets.
- Insert stiffeners are required on all flexible plastic connections.
- **Not all combinations available, contact factory with your requirements.**
- **MOST METER SETTERS ARE MADE TO ORDER AND ARE NOT RETURNABLE.**
- Please verify with the factory that the model number you have configured is available and meets your requirements.

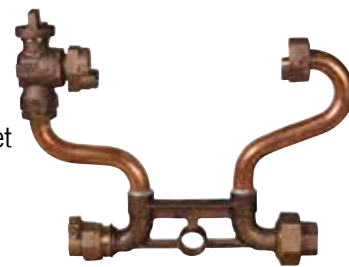




## 726 Series

FOR 5/8", 5/8" X 3/4", 3/4", OR 1" METERS

Horizontal Style, Integral -22 CTS, -33 PEP-7, -44 PVC, or -55 IP Compression Inlet x Dual Purpose Union Outlet



Model 726-207WX2D 33

Part No.	5/8" Meter Size	Carton PCS/WT	Price
5155-181	726-107WX2D 33	6/32	\$234.92
5155-211	726-109WX2D 33	6/32	\$237.53
5155-241	726-112WX2D 33	6/27	\$248.77
5145-309	726-115WX2D 33	6/39	\$253.42
5158-381	726-118WX2D 33	6/42	\$283.32
	726-121WX2D 33	6/45	\$291.67
5151-245	726-124WX2D 33	6/48	\$300.88

Part No.	5/8" x 3/4" Meter Size	Carton PCS/WT	Price
5140-149	726-207WX2D 33	6/32	\$239.46
5140-150	726-209WX2D 33	6/33	\$241.86
5140-151	726-212WX2D 33	6/30	\$248.77
	726-215WX2D 33	6/36	\$257.68
5140-153	726-218WX2D 33	6/45	\$287.99
	726-221WX2D 33	6/45	\$296.35
5144-264	726-224WX2D 33	6/45	\$305.51

Part No.	3/4" Meter Size	Carton PCS/WT	Price
	726-307WX2D 33	6/27	\$279.59
5155-361	726-309WX2D 33	6/27	\$279.60
5155-391	726-312WX2D 33	6/30	\$286.93
	726-315WX2D 33	6/33	\$296.84
	726-318WX2D 33	6/39	\$340.78
	726-321WX2D 33	6/42	\$343.36
	726-324WX2D 33	6/45	\$366.02

Part No.	1" Meter Size	Carton PCS/WT	Price
5157-025	726-410WX2D 44	3/26	\$497.50
5157-347	726-412WX2D 44	3/26	\$507.82
	726-415WX2D 44	3/27	\$518.69
	726-418WX2D 44	3/30	\$583.22
	726-421WX2D 44	3/32	\$606.61
	726-424WX2D 44	3/33	\$613.75

### Single Setter (with Saddle Nut)

Options - add or subtract from base setter model		1 2 3 4			
		5/8"	5/8" x 3/4"	3/4"	1"
Standard Ball Valve	W	\$83.78	\$83.78	\$83.78	\$168.10
Full Port Ball Valve	J	\$152.98	\$152.98	\$152.98	\$230.45
Plug Valve	L	\$68.94	\$68.94	\$68.94	\$105.69
Single Check Valve	C	\$76.06	\$76.06	\$76.06	\$91.41
Dual Check - ASSE - Standard	D	\$153.13	\$153.13	\$153.13	\$145.22
Dual Check - Cartridge	D* x 995	See "D" above	See "D" above	See "D" above	See "D" above
Dual Check - Cascading	D* x 992	\$139.73	\$139.73	\$139.73	\$145.23
Dual Check - ASSE - Full Port	M	See "D" above	See "D" above	See "D" above	\$265.79
Meter Swivel Nut	X	N/C	N/C	N/C	N/C
Additional height in 3" increments		\$9.36	\$9.36	\$12.91	\$15.00

### Tandem Setter (less Saddle Nut)

Change model from 726 series to 756 series

Options - add or subtract from base setter model		1 2 3 4			
		5/8"	5/8" x 3/4"	3/4"	1"
Standard Ball Valve	Q	\$83.78	\$83.78	\$83.78	\$168.10
Full Port Ball Valve	K	\$152.98	\$152.98	\$152.98	\$230.45
Plug Valve	G	\$68.94	\$68.94	\$68.94	\$105.69
Single Check Valve	A	\$76.06	\$76.06	\$76.06	\$91.41
Dual Check - ASSE - Standard	F	\$153.13	\$153.13	\$153.13	\$145.22
Dual Check - Cartridge	F* x 995	See "F" above	See "F" above	See "F" above	See "F" above
Dual Check - Cascading	F* x 992	\$139.73	\$139.73	\$139.73	\$145.23
Dual Check - ASSE - Full Port	P	See "F" above	See "F" above	See "F" above	\$265.79
Meter Swivel Nut	N	N/C	N/C	N/C	N/C
Tandem adder	7" - 9"	\$164.99	\$176.27	\$214.30	-
	12"	\$164.99	\$176.27	\$215.67	\$321.87
	15"	\$145.05	\$156.26	\$195.74	\$321.87
	18" - 21"	\$149.73	\$161.10	\$200.54	\$321.87
	24" & Above	\$149.73	\$161.10	\$200.54	\$337.85

#### Contact Factory for the following:

1. Handles for ball valves
2. Test cap on check valves
3. 360° turn valve cap (less check)

#### NOTES:

- 12" minimum height for 1" setters with dual check.
- Horizontal bracing eye, wire seal hole and lockwing are standard.
- N/C = No additional charge.

Tandem Setters or resetters include (2) 74619 connections and "S" tube with meter swivel nuts

#### Inlet Option Adders (Price per end):

5/8", 5/8" x 3/4", or 3/4" Meters

Option	Size	List	Size	List	Size	List
P - MNPT	3/4"	N/C				
2 - "-22" CTS	3/4"	N/C	1"	\$16.51	1 1/4"	\$53.39
3 - "-33" PEP	3/4"	N/C	1"	\$16.51		
4 - "-44" PVC	3/4"	N/C	1"	\$16.51		
5 - "-55" IP	3/4"	N/C	1"	\$16.51		

#### 1" Meters

Option	Size	List	Size	List
P - MNPT	1"	N/C		
2 - "-22" CTS	1"	N/C	1 1/4"	\$14.66
3 - "-33" PEP	1"	\$18.07		
4 - "-44" PVC	1"	\$18.07		
5 - "-55" IP	1"	\$18.07		

#### Outlet Option Adders (Price per end):

5/8", 5/8" x 3/4", or 3/4" Meters

Option	Size	List	Size	List
B - "-3G" PEP McGrip union	3/4"	\$55.37		
C - Copper flare union	3/4"	\$26.86	1"	\$48.33
D - Double Purpose union (Flare or FNPT)	3/4"	N/C		
F - FNPT union	1/2"	\$13.93	1"	\$12.52
G - "G" CTS union	3/4"	\$19.17		
H - "H" CTS HandyLoc union	3/4"	\$23.61		
J - C903 type union	3/4"	\$52.27		
L - Less end connection	3/4"	-\$19.64		
M - MNPT union	3/4"	N/C	1"	\$12.52
Q - "Q" CTS union	3/4"	\$19.17	1"	\$44.02
S - Solder union	3/4"	N/C	1"	\$6.51
T - "T" CTS union	3/4"	\$19.17	1"	\$44.02
Z - 3Q PEP union	3/4"	\$55.37		
2 - "-22" CTS union	3/4"	\$19.17	1"	\$44.02
3 - "-33" PEP union	3/4"	\$55.37		
4 - "-44" PVC union	3/4"	\$55.37		
5 - "-55" IP union	3/4"	\$55.37		

#### 1" Meters

Option	Size	List
D - Double Purpose (Flare or FNPT)	1"	N/C
J - C903 type union	1"	\$45.53
L - Less end connection	1"	-\$28.87
M - Male union	1"	N/C
S - Solder union	1"	\$34.82
Q - "Q" CTS union	1"	N/C
T - "T" CTS union	1"	\$34.82
2 - "-22" CTS union	1"	\$34.82

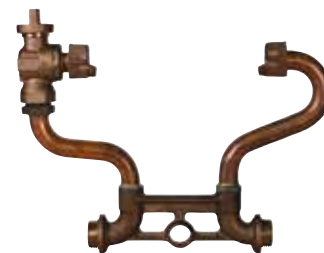


## 727 Series

FOR 5/8", 5/8" X 3/4", OR 3/4" METERS

Horizontal Style, "K" Thread Inlet x "K" Thread Outlet

**"Cut-In" Style Meter Setting:** This setting is a quick and easy installation and involves cutting out a section of service line that is approximately 1/2" longer than the brass bottom bar of the setter, cleaning approximately 3" of service line on both sides of the setter, then slipping on the compression assemblies (sold separately) on to the service line. The setter is then inserted into the spacing, the compression assemblies are tightened to the setter, and the compression nuts are tightened per instructions.



To order 727 Series Model No. **727-207WX** above means:

Series	Style	Meter Size	Meter Height	Inlet and Outlet Valves
<b>727</b>	<b>-</b> = Standard	<b>2</b> 1 = 5/8" 2 = 5/8" x 3/4" 3 = 3/4"	<b>07</b> 07 = 7" 09 = 9" 10 = 10" 12 = 12" 15 = 15" 18 = 18" 21 = 21" 24 = 24" 27 = 27"	<b>WX</b> C = 3/4" & 1" Port Angle Single Check Valve D = 3/4" Port Angle Dual Check Valve (ASSE 1024) L = Angle Lockwing Plug Valve J = 3/4" & 1" Port Angle Lockwing Ball Valve M = 1" Port Angle Dual Check Valve (ASSE 1024) W = Standard Port Angle Lockwing Ball Valve X = Flanged Tubing with Meter Nut
		<b>18" &amp; Taller includes Brace Support Bar</b>	Additional heights available, contact factory	For other special meter connections, contact factory.

**NOTES:** - 12" minimum height for 1" setter with ASSE dual cartridge check valve  
- 10" minimum height for 1" setter with ASSE cascading dual check valve or meter swivel

### For Tandem Series

#### 757 Series Horizontal Tandem Setter



**Example 757-207QN**  
Tandem setters are supplied with adapters and "S" tube. Please specify device length and threads when ordering.  
**12" minimum height on 1" tandem**

\*See Plumbing Catalog for meter x meter PRV

- A = 3/4" & 1" Port Angle Single Check Valve
- F = 3/4" Port Angle Dual Check Valve (ASSE 1024)
- G = Angle Lockwing Plug Valve
- K = 3/4" & 1" Port Angle Lockwing Ball Valve
- N = Flanged Tubing with Meter Nut
- P = 1" Port Angle Dual Check Valve (ASSE 1024)
- Q = Standard Port Angle Lockwing Ball Valve
- Z = Brass Elbow

**NOTE:** Unless specified all tandem components have meter nuts without support lip.

- Standard device for 5/8", 5/8" x 3/4", 3/4" = 4" - 5" Long FNPT x FNPT
- Standard device for 1" = 5" - 6" Long FNPT x FNPT

### OPTIONS

- Assemblies shipped with two 1/8" EPDM rubber meter gaskets.
- Insert stiffeners are required on all flexible plastic connections.
- **Not all combinations available, contact factory with your requirements.**
- **MOST METER SETTERS ARE MADE TO ORDER AND ARE NOT RETURNABLE.**
- **Please verify with the factory that the model number you have configured is available and meets your requirements.**

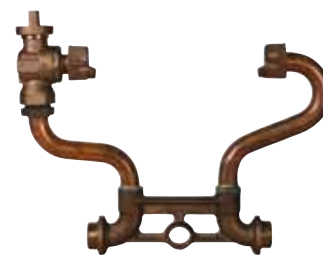


## 727 Series

FOR 5/8", 5/8" X 3/4", OR 3/4" METERS

Horizontal Style, "K" Thread Inlet x "K" Thread Outlet

**"Cut-In" Style Meter Setting:** This setting is a quick and easy installation and involves cutting out a section of service line that is approximately 1/2" longer than the brass bottom bar of the setter, cleaning approximately 3" of service line on both sides of the setter, then slipping on the compression assemblies (sold separately) on to the service line. The setter is then inserted into the spacing, the compression assemblies are tightened to the setter, and the compression nuts are tightened per instructions.



Model 727-207WX

Part No.	5/8" Meter Size	Carton PCS/WT	Price
5157-472	727-107WX	6/39	\$201.10
5144-459	727-109WX	6/28	\$203.58
	727-112WX	6/36	\$210.74
	727-115WX	6/39	\$219.59
	727-118WX	6/45	\$249.42
	727-121WX	6/48	\$257.82
	727-124WX	6/51	\$266.97

Part No.	5/8" x 3/4" Meter Size	Carton PCS/WT	Price
5157-313	727-207WX	6/27	\$205.54
	727-209WX	6/30	\$208.08
5156-312	727-212WX	6/42	\$214.94
	727-215WX	6/45	\$223.84
	727-218WX	6/51	\$254.14
	727-221WX	6/54	\$236.59
	727-224WX	6/57	\$271.69

Part No.	3/4" Meter Size	Carton PCS/WT	Price
	727-307WX	6/39	\$245.18
	727-309WX	6/42	\$245.18
	727-312WX	6/45	\$252.50
	727-315WX	6/48	\$262.34
	727-318WX	6/51	\$306.35
	727-321WX	6/54	\$320.81
	727-324WX	6/57	\$331.51

### Single Setter (with Saddle Nut)

		1	2	3	4
Options - add or subtract from base setter model		5/8"	5/8" x 3/4"	3/4"	1"
Standard Ball Valve	W	\$83.78	\$83.78	\$83.78	\$168.10
Full Port Ball Valve	J	\$152.98	\$152.98	\$152.98	\$230.45
Plug Valve	L	\$68.94	\$68.94	\$68.94	\$105.69
Single Check Valve	C	\$76.06	\$76.06	\$76.06	\$91.41
Dual Check - ASSE - Standard	D	\$153.13	\$153.13	\$153.13	\$145.22
Dual Check - Cartridge	D* x 995	See "D" above	See "D" above	See "D" above	See "D" above
Dual Check - Cascading	D* x 992	\$139.73	\$139.73	\$139.73	\$145.23
Dual Check - ASSE - Full Port	M	See "D" above	See "D" above	See "D" above	\$265.79
Meter Swivel Nut	X	N/C	N/C	N/C	N/C
Additional height in 3" increments		\$9.36	\$9.36	\$12.91	\$15.00

### Contact Factory for the following:

1. Handles for ball valves
2. Test cap on check valves
3. 360° turn valve cap (less check)

### NOTES:

- 12" minimum height for 1" setters with dual check.
- Horizontal bracing eye, wire seal hole and locking are standard.
- N/C = No additional charge.

### Tandem Setter (less Saddle Nut)

Change model from 727 series to 757 series

		1	2	3	4
Options - add or subtract from base setter model		5/8"	5/8" x 3/4"	3/4"	1"
Standard Ball Valve	Q	\$83.78	\$83.78	\$83.78	\$168.10
Full Port Ball Valve	K	\$152.98	\$152.98	\$152.98	\$230.45
Plug Valve	G	\$68.94	\$68.94	\$68.94	\$105.69
Single Check Valve	A	\$76.06	\$76.06	\$76.06	\$91.41
Dual Check - ASSE - Standard	F	\$153.13	\$153.13	\$153.13	\$145.22
Dual Check - Cartridge	F* x 995	See "F" above	See "F" above	See "F" above	See "F" above
Dual Check - Cascading	F* x 992	\$139.73	\$139.73	\$139.73	\$145.23
Dual Check - ASSE - Full Port	P	See "F" above	See "F" above	See "F" above	\$265.79
Meter Swivel Nut	N	N/C	N/C	N/C	N/C
Tandem adder	7" - 9"	\$164.99	\$176.27	\$214.30	-
	12"	\$164.99	\$176.27	\$215.67	\$321.87
	15"	\$145.05	\$156.26	\$195.74	\$321.87
	18" - 21"	\$149.73	\$161.10	\$200.54	\$321.87
	24" & Above	\$149.73	\$161.10	\$200.54	\$337.85

Tandem Setters or resetters include (2) 74619 connections and "S" tube with meter swivel nuts

747541T



747541-22, 747541-33  
747541-44



747541-55



### Fittings for Model 741-1, 741-2, or 741-3

Part No.	MODEL	SIZE	DESCRIPTION	LIST PRICE
5149-024	747541P	3/4"	MNPT x "K" Thread	\$17.40
5149-027	747541S	1 1/2" x 3/4"	Solder x "K" Thread	\$19.85
5149-028	747541S	3/4"	Solder x "K" Thread	\$20.42
5149-106	747541-22	3/4"	-22 CTS x "K" Thread	\$26.56
5149-216	747541-22	1/2" x 3/4"	-22 CTS x "K" Thread	\$29.27
5149-208	747541-22	1" x 3/4"	-22 CTS x "K" Thread	\$33.39
5149-209	747541-22	1 1/4" x 3/4"	-22 CTS x "K" Thread	\$66.46
5120-427	747541-22	1 3/16" x 3/4"	-22 CTS x "K" Thread	\$29.27
5182-025	747541Q	3/4"	Q CTS x "K" Thread	\$26.56
5149-214	747541T	3/4"	T x "K" Thread	\$26.56
5149-141	747541T	1" x 3/4"	T CTS x "K" Thread	\$33.39

### Fittings for Model 741-1, 741-2, or 741-3

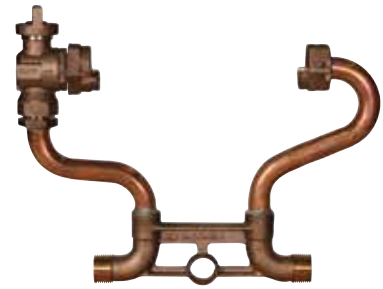
Part No.	MODEL	SIZE	DESCRIPTION	LIST PRICE
5149-145	747541T	1 1/4" x 3/4"	T CTS x "K" Thread	\$66.46
5149-108	747541-33	3/4"	-33 PEP-7 x "K" Thread	\$35.34
5149-210	747541-33	1" x 3/4"	-33 PEP-7 x "K" Thread	\$63.31
5149-359	747541-3Q	1" x 3/4"	-3Q PEP x "K" Thread	\$63.31
5130-027	747541-44	1/2" x 3/4"	-44 PVC x "K" Thread	\$28.41
5149-110	747541-44	3/4"	-44 PVC x "K" Thread	\$34.03
5149-045	747541-44	1" x 3/4"	-44 PVC x "K" Thread	\$63.41
5149-112	747541-55	3/4"	-55 IP x "K" Thread	\$26.56
5149-251	747541-55	1" x 3/4"	-55 IP x "K" Thread	\$46.24
4149-029	47541GSKT	-	Copper spacing gasket	\$1.61



## 728 Series

FOR 5/8", 5/8" X 3/4", 3/4", OR 1" METERS

Horizontal Style, Integral NPT Inlet x Integral NPT Outlet



Model 728-207WXPP 33

To order 728 Series Model No. **728-207WXPP 33** above means:

<b>728</b>	<b>-</b>	<b>2</b>	<b>07</b>	<b>WX</b>	<b>PP</b>		<b>33</b>
Series	Style   -- = Standard	Meter Size   1 = 5/8" 2 = 5/8" x 3/4" 3 = 3/4" 4 = 1"	Meter Height   07 = 7" 09 = 9" 10 = 10" 12 = 12" 15 = 15" 18 = 18" 21 = 21" 24 = 24" 27 = 27"	Inlet and Outlet Valves   C = 3/4" & 1" Port Angle Single Check Valve D = 3/4" Port Angle Dual Check Valve (ASSE 1024) L = Angle Lockwing Plug Valve J = 3/4" & 1" Port Angle Lockwing Ball Valve M = 1" Port Angle Dual Check Valve (ASSE 1024) W = Standard Port Angle Lockwing Ball Valve X = Flanged Tubing with Meter Nut	Type of connection Inlet and Outlet   5/8", 5/8" x 3/4", 3/4" Meters I = FNPT Integral (3/4") P = MNPT Integral (3/4", 1")  1" Meters I = FNPT Integral (1") P = MNPT Integral (1", 1 1/4" or 1 1/2")	Blank Space	Size Inlet & Outlet   3 = 3/4" 4 = 1" 5 = 1 1/4" 6 = 1 1/2"
		18" & Taller includes Brace Support Bar	Additional heights available, contact factory				

NOTES: - 12" minimum height for 1" setter with ASSE dual cartridge check valve  
- 10" minimum height for 1" setter with ASSE cascading dual check valve or meter swivel

For other special meter connections, contact factory.

### For Tandem Series



**Example 758-207QNPP 33**  
Tandem setters are supplied with adapters and "S" tube. Please specify device length and threads when ordering.  
**12" minimum height on 1" tandem**

\*See Plumbing Catalog for meter x meter PRV

- A = 3/4" & 1" Port Angle Single Check Valve
- F = 3/4" Port Angle Dual Check Valve (ASSE 1024)
- G = Angle Lockwing Plug Valve
- K = 3/4" & 1" Port Angle Lockwing Ball Valve
- N = Flanged Tubing with Meter Nut
- P = 1" Port Angle Dual Check Valve (ASSE 1024)
- Q = Standard Port Angle Lockwing Ball Valve
- Z = Brass Elbow

NOTE: Unless specified all tandem components have meter nuts without support lip.

- Standard device for 5/8", 5/8" x 3/4", 3/4" = 4" - 5" Long FNPT x FNPT
- Standard device for 1" = 5" - 6" Long FNPT x FNPT

### OPTIONS

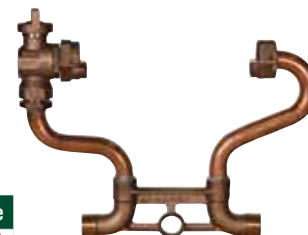
- Assemblies shipped with two 1/8" EPDM rubber meter gaskets.
- Insert stiffeners are required on all flexible plastic connections.
- **Not all combinations available, contact factory with your requirements.**
- **MOST METER SETTERS ARE MADE TO ORDER AND ARE NOT RETURNABLE.**
- **Please verify with the factory that the model number you have configured is available and meets your requirements.**



## 728 Series

FOR 5/8", 5/8" X 3/4", 3/4", OR 1" METERS

Horizontal Style, Integral NPT Inlet x Integral NPT Outlet



Model 728-207WXPP 33

Part No.	5/8" Meter Size	Carton PCS/WT	Price	Part No.	5/8" x 3/4" Meter Size	Carton PCS/WT	Price
5157-291	728-107WXPP 33	6/25	\$207.73	5157-172	728-207WXPP 33	6/26	\$212.21
5144-274	728-109WXPP 33	6/28	\$210.31	5157-225	728-209WXPP 33	6/24	\$214.69
5157-121	728-112WXPP 33	6/39	\$217.41	5156-234	728-212WXPP 33	6/27	\$221.58
	728-115WXPP 33	6/39	\$226.20	5157-226	728-215WXPP 33	6/39	\$228.75
	728-118WXPP 33	6/45	\$256.07	5157-259	728-218WXPP 33	6/30	\$260.84
	728-121WXPP 33	6/48	\$264.51	5144-239	728-221WXPP 33	6/39	\$269.15
	728-124WXPP 33	6/51	\$273.60	5157-348	728-224WXPP 33	6/33	\$278.28

Part No.	3/4" Meter Size	Carton PCS/WT	Price	Part No.	1" Meter Size	Carton PCS/WT	Price
5141-249	728-307WXPP 33	6/26	\$252.35	5156-299	728-410WXPP 44	3/19	\$434.52
	728-309WXPP 33	6/27	\$252.34	5156-224	728-412WXPP 44	3/19	\$443.45
5158-095	728-312WXPP 33	6/30	\$259.75	5141-327	728-415WXPP 44	3/30	\$454.34
	728-315WXPP 33	6/36	\$269.64	5158-287	728-418WXPP 44	3/33	\$518.77
5145-212	728-318WXPP 33	6/34	\$313.61	5144-244	728-421WXPP 44	3/36	\$542.19
	728-321WXPP 33	6/39	\$328.19	5158-336	728-424WXPP 44	3/39	\$549.30
5158-164	728-324WXPP 33	6/42	\$338.39				

### Single Setter (with Saddle Nut)

		1	2	3	4
Options - add or subtract from base setter model		5/8"	5/8" x 3/4"	3/4"	1"
Standard Ball Valve	W	\$83.78	\$83.78	\$83.78	\$168.10
Full Port Ball Valve	J	\$152.98	\$152.98	\$152.98	\$230.45
Plug Valve	L	\$68.94	\$68.94	\$68.94	\$105.69
Single Check Valve	C	\$76.06	\$76.06	\$76.06	\$91.41
Dual Check - ASSE - Standard	D	\$153.13	\$153.13	\$153.13	\$145.22
Dual Check - Cartridge	D* x 995	See "D" above	See "D" above	See "D" above	See "D" above
Dual Check - Cascading	D* x 992	\$139.73	\$139.73	\$139.73	\$145.23
Dual Check - ASSE - Full Port	M	See "D" above	See "D" above	See "D" above	\$265.79
Meter Swivel Nut	X	N/C	N/C	N/C	N/C
Additional height in 3" increments		\$9.36	\$9.36	\$12.91	\$15.00

### Tandem Setter (less Saddle Nut)

Change model from 728 series to 758 series

		1	2	3	4
Options - add or subtract from base setter model		5/8"	5/8" x 3/4"	3/4"	1"
Standard Ball Valve	Q	\$83.78	\$83.78	\$83.78	\$168.10
Full Port Ball Valve	K	\$152.98	\$152.98	\$152.98	\$230.45
Plug Valve	G	\$68.94	\$68.94	\$68.94	\$105.69
Single Check Valve	A	\$76.06	\$76.06	\$76.06	\$91.41
Dual Check - ASSE - Standard	F	\$153.13	\$153.13	\$153.13	\$145.22
Dual Check - Cartridge	F* x 995	See "F" above	See "F" above	See "F" above	See "F" above
Dual Check - Cascading	F* x 992	\$139.73	\$139.73	\$139.73	\$145.23
Dual Check - ASSE - Full Port	P	See "F" above	See "F" above	See "F" above	\$265.79
Meter Swivel Nut	N	N/C	N/C	N/C	N/C
Tandem adder	7" - 9"	\$164.99	\$176.27	\$214.30	-
	12"	\$164.99	\$176.27	\$215.67	\$321.87
	15"	\$145.05	\$156.26	\$195.74	\$321.87
	18" - 21"	\$149.73	\$161.10	\$200.54	\$321.87
	24" & Above	\$149.73	\$161.10	\$200.54	\$337.85

Tandem Setters or resetters include (2) 74619 connections and "S" tube with meter swivel nuts

### Contact Factory for the following:

- Handles for ball valves
- Test cap on check valves
- 360° turn valve cap (less check)

- NOTES:**
- 12" minimum height for 1" setters with dual check.
  - Horizontal bracing eye, wire seal hole and lockwing are standard.
  - N/C = No additional charge.

### Inlet Option Adders (Price per end):

5/8", 5/8" x 3/4", or 3/4" Meters

Option	Size	List	Size	List
P - MNPT (Integral)	3/4"	N/C	1"	N/C
I - FNPT Integral	3/4"	\$5.91		

### 1" Meters

Option	Size	List	Size	List	Size	List
P - MNPT (Integral)	1"	N/C	1 1/4"	\$8.31	1 1/2"	\$16.59
I - FNPT Integral	1"	N/C				



## 729 Series

FOR 5/8", 5/8" X 3/4", 3/4", OR 1" METERS

Horizontal Style, Integral Flare Inlet x Integral Flare Outlet



To order 729 Series Model No. **729-207WXCC 33** above means:

<b>729</b>	-	<b>2</b>	<b>07</b>	INLET OUTLET <b>WX</b>	INLET OUTLET <b>CC</b>	Blank Space	<b>33</b>
Series	Style   - = Standard	Meter Size 	Meter Height 	Inlet and Outlet Valves 	Type of connection Inlet and Outlet	Blank Space	Size Inlet & Outlet 
		1 = 5/8" 2 = 5/8" x 3/4" 3 = 3/4" 4 = 1"	07 = 7" 09 = 9" 10 = 10" 12 = 12" 15 = 15" 18 = 18" 21 = 21" 24 = 24" 27 = 27"	C = 3/4" & 1" Port Angle Single Check Valve D = 3/4" Port Angle Dual Check Valve (ASSE 1024) L = Angle Lockwing Plug Valve J = 3/4" & 1" Port Angle Lockwing Ball Valve M = 1" Port Angle Dual Check Valve (ASSE 1024) W = Standard Port Angle Lockwing Ball Valve X = Flanged Tubing with Meter Nut	5/8", 5/8" x 3/4", 3/4" Meters C = Copper Flare Integral (3/4")  1" Meters C = Copper Flare Integral (1")		3 = 3/4" 4 = 1"
	<b>18" &amp; Taller includes Brace Support Bar</b>		Additional heights available, contact factory				

**NOTES:** - 12" minimum height for 1" setter with ASSE dual cartridge check valve  
- 10" minimum height for 1" setter with ASSE cascading dual check valve or meter swivel

For other special meter connections, contact factory.

### For Tandem Series



**759 Series  
Horizontal  
Tandem  
Setter**

**Example 759-207QNCC 33**  
Tandem setters are supplied with adapters and "S" tube. Please specify device length and threads when ordering.  
**12" minimum height on 1" tandem**

\*See Plumbing Catalog for meter x meter PRV

- A = 3/4" & 1" Port Angle Single Check Valve
- F = 3/4" Port Angle Dual Check Valve (ASSE 1024)
- G = Angle Lockwing Plug Valve
- K = 3/4" & 1" Port Angle Lockwing Ball Valve
- N = Flanged Tubing with Meter Nut
- P = 1" Port Angle Dual Check Valve (ASSE 1024)
- Q = Standard Port Angle Lockwing Ball Valve
- Z = Brass Elbow

**NOTE:** Unless specified all tandem components have meter nuts without support lip.

- Standard device for 5/8", 5/8" x 3/4", 3/4" = 4"- 5" Long FNPT x FNPT
- Standard device for 1" = 5"- 6" Long FNPT x FNPT

### OPTIONS

- Assemblies shipped with two 1/8" EPDM rubber meter gaskets.
- Insert stiffeners are required on all flexible plastic connections.
- **Not all combinations available, contact factory with your requirements.**
- **MOST METER SETTERS ARE MADE TO ORDER AND ARE NOT RETURNABLE.**
- **Please verify with the factory that the model number you have configured is available and meets your requirements.**

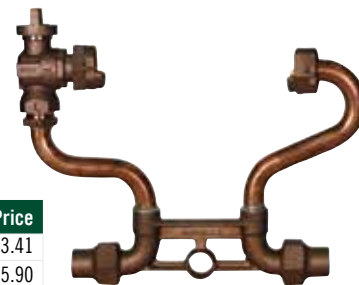




## 729 Series

FOR 5/8", 5/8" X 3/4", 3/4", OR 1" METERS

Horizontal Style, Integral Flare Inlet x Integral Flare Outlet



Model 729-207WXCC 33

Part No.	5/8" Meter Size	Carton PCS/WT	Price	Part No.	5/8" x 3/4" Meter Size	Carton PCS/WT	Price
	729-107WXCC 33	6/24	\$238.74	5157-380	729-207WXCC 33	6/36	\$243.41
	729-109WXCC 33	6/27	\$241.53		729-209WXCC 33	6/39	\$245.90
5158-228	729-112WXCC 33	6/30	\$248.65	5151-130	729-212WXCC 33	6/36	\$252.82
	729-115WXCC 33	6/33	\$257.44		729-215WXCC 33	6/36	\$261.67
5152-379	729-118WXCC 33	6/33	\$287.31	5156-448	729-218WXCC 33	6/33	\$292.04
	729-121WXCC 33	6/36	\$295.68		729-221WXCC 33	6/39	\$300.36
5158-329	729-124WXCC 33	6/39	\$304.88		729-224WXCC 33	6/42	\$309.53

Part No.	3/4" Meter Size	Carton PCS/WT	Price	Part No.	1" Meter Size	Carton PCS/WT	Price
	729-307WXCC 33	6/27	\$283.57		729-410WXCC 44	3/21	\$478.05
	729-309WXCC 33	6/30	\$283.57	5158-234	729-412WXCC 44	3/24	\$483.39
	729-312WXCC 33	6/33	\$290.93		729-415WXCC 44	3/27	\$497.87
	729-315WXCC 33	6/36	\$300.88	5145-446	729-418WXCC 44	3/30	\$562.36
5145-447	729-318WXCC 33	6/39	\$344.85		729-421WXCC 44	3/33	\$585.78
	729-321WXCC 33	6/42	\$359.40		729-424WXCC 44	3/36	\$592.88
	729-324WXCC 33	6/45	\$370.01				

### Single Setter (with Saddle Nut)

Options - add or subtract from base setter model		1	2	3	4
		5/8"	5/8" x 3/4"	3/4"	1"
Standard Ball Valve	W	\$83.78	\$83.78	\$83.78	\$168.10
Full Port Ball Valve	J	\$152.98	\$152.98	\$152.98	\$230.45
Plug Valve	L	\$68.94	\$68.94	\$68.94	\$105.69
Single Check Valve	C	\$76.06	\$76.06	\$76.06	\$91.41
Dual Check - ASSE - Standard	D	\$153.13	\$153.13	\$153.13	\$145.22
Dual Check - Cartridge	D* x 995	See "D" above	See "D" above	See "D" above	See "D" above
Dual Check - Cascading	D* x 992	\$139.73	\$139.73	\$139.73	\$145.23
Dual Check - ASSE - Full Port	M	See "D" above	See "D" above	See "D" above	\$265.79
Meter Swivel Nut	X	N/C	N/C	N/C	N/C
Additional height in 3" increments		\$9.36	\$9.36	\$12.91	\$15.00

### Tandem Setter (less Saddle Nut)

Change model from 729 series to 759 series

Options - add or subtract from base setter model		1	2	3	4
		5/8"	5/8" x 3/4"	3/4"	1"
Standard Ball Valve	Q	\$83.78	\$83.78	\$83.78	\$168.10
Full Port Ball Valve	K	\$152.98	\$152.98	\$152.98	\$230.45
Plug Valve	G	\$68.94	\$68.94	\$68.94	\$105.69
Single Check Valve	A	\$76.06	\$76.06	\$76.06	\$91.41
Dual Check - ASSE - Standard	F	\$153.13	\$153.13	\$153.13	\$145.22
Dual Check - Cartridge	F* x 995	See "F" above	See "F" above	See "F" above	See "F" above
Dual Check - Cascading	F* x 992	\$139.73	\$139.73	\$139.73	\$145.23
Dual Check - ASSE - Full Port	P	See "F" above	See "F" above	See "F" above	\$265.79
Meter Swivel Nut	N	N/C	N/C	N/C	N/C
Tandem adder	7" - 9"	\$164.99	\$176.27	\$214.30	-
	12"	\$164.99	\$176.27	\$215.67	\$321.87
	15"	\$145.05	\$156.26	\$195.74	\$321.87
	18" - 21"	\$149.73	\$161.10	\$200.54	\$321.87
	24" & Above	\$149.73	\$161.10	\$200.54	\$337.85

Tandem Setters or resetters include (2) 74619 connections and "S" tube with meter swivel nuts

#### Contact Factory for the following:

1. Handles for ball valves
2. Test cap on check valves
3. 360° turn valve cap (less check)

- NOTES:**
- 12" minimum height for 1" setters with dual check.
  - Horizontal bracing eye, wire seal hole and locking are standard.
  - N/C = No additional charge.



# Copper Meter Setters

## 730 Series

FOR 5/8", 5/8" X 3/4", 3/4", OR 1" METERS

Vertical Style, Double Purpose Union Inlet x Double Purpose Union Outlet

Setters normally supplied with Union Nut Connection Inlet/Outlet



To order 730 Series Model No. **730-2--WXDD 33** above means:

730	-	2	--	INLET OUTLET WX	INLET OUTLET DD		33
Series	Style  = Standard	Meter Size	Meter Height	Inlet and Outlet Valves	Type of connection Inlet and Outlet	Blank Space	Size Inlet & Outlet
		1 = 5/8" 2 = 5/8" x 3/4" 3 = 3/4" 4 = 1"	-- = 7" 09 = 9" -- = 10" 12 = 12" 15 = 15" 18 = 18" 21 = 21" 24 = 24" 27 = 27"	C = 3/4" & 1" Port Angle Single Check Valve D = 3/4" Port Angle Dual Check Valve (ASSE 1024) L = Angle Lockwing Plug Valve J = 3/4" & 1" Port Angle Lockwing Ball Valve M = 1" Port Angle Dual Check Valve (ASSE 1024) W = Standard Port Angle Lockwing Ball Valve X = Flanged Tubing with Meter Nut	5/8", 5/8" x 3/4", 3/4" Meters B = -3G PEP -7 Union (3/4") C = Copper Flare Union (3/4" or 1") D = Double Purpose Union (Flare or FNPT) (3/4") F = FNPT Union (1/2" or 1") G = "G" CTS McGrip Union (3/4") H = "H" CTS HandyLoc Union (3/4") J = C903 Union (3/4") L = Less Double Purpose Nut, Connection & Gasket M = MNPT Union (3/4", 1") Q = "Q" CTS McQuik Union (3/4" & 1") S = Solder Union (3/4" or 1") T = "T" CTS Union (3/4" or 1") Z = -3Q PEP-7 Union (3/4") 2 = "-22" CTS MacPak Union (3/4" or 1") 3 = "-33" PEP MacPak Union (3/4") 4 = "-44" PVC MacPak Union (3/4") 5 = "-55" IP MacPak Union (3/4")		1 = 1/2" 3 = 3/4" 4 = 1"
			18" & Taller includes Brace Support Bar				
			Additional heights available, contact factory				

NOTES: - 12" minimum height for 1" setter with ASSE dual cartridge check valve  
- 10" minimum height for 1" setter with ASSE cascading dual check valve or meter swivel

For other special meter connections, contact factory.

### For Tandem Series



750R Series Vertical Tandem Setter

#### Example 750R2--QNDD 33

Tandem setters are supplied with adapters and "S" tube. Please specify device length and threads when ordering.  
12" minimum height on 1" tandem

\*See Plumbing Catalog for meter x meter PRV

- A = 3/4" & 1" Port Angle Single Check Valve
- F = 3/4" Port Angle Dual Check Valve (ASSE 1024)
- G = Angle Lockwing Plug Valve
- K = 3/4" & 1" Port Angle Lockwing Ball Valve
- N = Flanged Tubing with Meter Nut
- P = 1" Port Angle Dual Check Valve (ASSE 1024)
- Q = Standard Port Angle Lockwing Ball Valve
- Z = Brass Elbow

NOTE: Unless specified all tandem components have meter nuts without support lip.

- Standard device for 5/8", 5/8" x 3/4", 3/4" = 4"- 5" Long FNPT x FNPT
- Standard device for 1" = 5"- 6" Long FNPT x FNPT

### OPTIONS

- Assemblies shipped with two 1/8" EPDM rubber meter gaskets.
- Insert stiffeners are required on all flexible plastic connections.
- Not all combinations available, contact factory with your requirements.
- MOST METER SETTERS ARE MADE TO ORDER AND ARE NOT RETURNABLE.
- Please verify with the factory that the model number you have configured is available and meets your requirements.



## 730 Series

FOR 5/8", 5/8" X 3/4", 3/4", OR 1" METERS

Vertical Style, Double Purpose Union Inlet x Double Purpose Union Outlet

Setters normally supplied with Union Nut Connection Inlet/Outlet



Model 730-2--WXDD 33

Part No.	5/8" Meter Size	Carton PCS/WT	Price	Part No.	5/8" x 3/4" Meter Size	Carton PCS/WT	Price
	730-1--WXDD 33	6/27	\$225.24	5156-030	730-2--WXDD 33	6/27	\$225.24
Part No.	3/4" Meter Size	Carton PCS/WT	Price	Part No.	1" Meter Size	Carton PCS/WT	Price
5136-114	730-3--WXDD 33	6/32	\$259.59	5157-029	730-4--WXDD 44	3/26	\$426.04

### Single Setter (with Saddle Nut)

		1	2	3	4
Options - add or subtract from base setter model		5/8"	5/8" x 3/4"	3/4"	1"
Standard Ball Valve	W	\$83.78	\$83.78	\$83.78	\$168.10
Full Port Ball Valve	J	\$152.98	\$152.98	\$152.98	\$230.45
Plug Valve	L	\$68.94	\$68.94	\$68.94	\$105.69
Single Check Valve	C	\$76.06	\$76.06	\$76.06	\$91.41
Dual Check - ASSE - Standard	D	\$153.13	\$153.13	\$153.13	\$145.22
Dual Check - Cartridge	D* x 995	See "D" above	See "D" above	See "D" above	See "D" above
Dual Check - Cascading	D* x 992	\$139.73	\$139.73	\$139.73	\$145.23
Dual Check - ASSE - Full Port	M	See "D" above	See "D" above	See "D" above	\$265.79
Meter Swivel Nut	X	N/C	N/C	N/C	N/C
Additional height in 3" increments		\$9.36	\$9.36	\$12.91	\$15.00

### Contact Factory for the following:

1. Handles for ball valves
2. Test cap on check valves
3. 360° turn valve cap (less check)

- NOTES:**
- 12" minimum height for 1" setters with dual check.
  - Horizontal bracing eye, wire seal hole and locking are standard.
  - N/C = No additional charge.

### Tandem Setter (less Saddle Nut)

Change model from 730 series to 750R series

		1	2	3	4
Options - add or subtract from base setter model		5/8"	5/8" x 3/4"	3/4"	1"
Standard Ball Valve	Q	\$83.78	\$83.78	\$83.78	\$168.10
Full Port Ball Valve	K	\$152.98	\$152.98	\$152.98	\$230.45
Plug Valve	G	\$68.94	\$68.94	\$68.94	\$105.69
Single Check Valve	A	\$76.06	\$76.06	\$76.06	\$91.41
Dual Check - ASSE - Standard	F	\$153.13	\$153.13	\$153.13	\$145.22
Dual Check - Cartridge	F* x 995	See "F" above	See "F" above	See "F" above	See "F" above
Dual Check - Cascading	F* x 992	\$139.73	\$139.73	\$139.73	\$145.23
Dual Check - ASSE - Full Port	P	See "F" above	See "F" above	See "F" above	\$265.79
Meter Swivel Nut	N	N/C	N/C	N/C	N/C
Tandem adder	7" - 9"	\$164.99	\$176.27	\$214.30	-
	12"	\$164.99	\$176.27	\$215.67	\$321.87
	15"	\$145.05	\$156.26	\$195.74	\$321.87
	18" - 21"	\$149.73	\$161.10	\$200.54	\$321.87
	24" & Above	\$149.73	\$161.10	\$200.54	\$337.85

Tandem Setters or resetters include (2) 74619 connections and "S" tube with meter swivel nuts

### Inlet Option Adders (Price per end):

5/8", 5/8" x 3/4", or 3/4" Meters

Option	Size	List	Size	List
B - "3G" PEP McGrip union	3/4"	\$55.37		
C - Copper flare union	3/4"	\$26.86	1"	\$48.33
D - Double Purpose union (Flare or FNPT)	3/4"	N/C		
F - FNPT union	1/2"	\$13.93	1"	\$12.52
G - "G" CTS union	3/4"	\$19.17		
H - "H" CTS HandyLoc union	3/4"	\$23.61		
J - C903 type union	3/4"	\$52.27		
L - Less end connection	3/4"	-\$19.64		
M - MNPT union	3/4"	N/C	1"	\$12.52
Q - "Q" CTS union	3/4"	\$19.17	1"	\$44.02
S - Solder union	3/4"	N/C	1"	\$6.51
T - "T" CTS union	3/4"	\$19.17	1"	\$44.02
Z - 3Q PEP union	3/4"	\$55.37		
2 - "-22" CTS union	3/4"	\$19.17	1"	\$44.02
3 - "-33" PEP union	3/4"	\$55.37		
4 - "-44" PVC union	3/4"	\$55.37		
5 - "-55" IP union	3/4"	\$55.37		

### 1" Meters

Option	Size	List
D - Double Purpose union (Flare or FNPT)	1"	N/C
J - C903 type union	1"	\$45.53
L - Less end connection	1"	-\$28.87
M - MNPT union	1"	N/C
Q - "Q" CTS Union	1"	\$34.82
S - Solder union	1"	N/C
T - "T" CTS union	1"	\$34.82
2 - "-22" CTS union	1"	\$34.82



## 731 Series

FOR 5/8", 5/8" X 3/4", 3/4", OR 1" METERS

Vertical Style, Integral CTS, PEP or C903 Compression Inlet & Outlet



To order 731 Series Model No. **731-2--WXTT 33** above means:

731	-	2	--	INLET OUTLET WX	INLET OUTLET TT		33
Series	Style   -- = Standard	Meter Size   1 = 5/8" 2 = 5/8" x 3/4" 3 = 3/4" 4 = 1"	Meter Height   -- = 7" 09 = 9" -- = 10" 12 = 12" 15 = 15" 18 = 18" 21 = 21" 24 = 24" 27 = 27"	Inlet and Outlet Valves   C = 3/4" & 1" Port Angle Single Check Valve D = 3/4" Port Angle Dual Check Valve (ASSE 1024) L = Angle Lockwing Plug Valve J = 3/4" & 1" Port Angle Lockwing Ball Valve M = 1" Port Angle Dual Check Valve (ASSE 1024) W = Standard Port Angle Lockwing Ball Valve X = Flanged Tubing with Meter Nut	Type of connection Inlet and Outlet	Blank Space	Size Inlet & Outlet   3 = 3/4" 4 = 1"
			18" & Taller includes Brace Support Bar				
			Additional heights available, contact factory				

**NOTES:** - 12" minimum height for 1" setter with ASSE dual cartridge check valve  
- 10" minimum height for 1" setter with ASSE cascading dual check valve or meter swivel

5/8", 5/8" x 3/4", 3/4" Meters

B = "-3G" PEP McGrip Integral (3/4")

G = "G" CTS McGrip Integral (3/4", 1")

H = "H" CTS PE Handyloc Integral (3/4", 1")

J = C903 Integral (3/4", 1")

Q = "Q" CTS McQuik Integral (3/4", 1")

T = "T" CTS Integral (3/4", 1")

Y = "-3H" PEP Handyloc Integral (3/4")

Z = "-3Q" PEP McQuik Integral (3/4")

1" Meters

G = "G" CTS McGrip Integral (1")

H = "H" CTS PE Handyloc Integral (1")

J = C903 Integral (1")

Q = "Q" CTS McQuik Integral (1")

T = "T" CTS Integral (1")

### For Tandem Series



751R  
Series  
Vertical  
Tandem  
Setter

#### Example 751R207QNTT 33

Tandem setters are supplied with adapters and "S" tube. Please specify device length and threads when ordering.  
**12" minimum height on 1" tandem**

\*See Plumbing Catalog for meter x meter PRV

A = 3/4" & 1" Port Angle Single Check Valve

F = 3/4" Port Angle Dual Check Valve (ASSE 1024)

G = Angle Lockwing Plug Valve

K = 3/4" & 1" Port Angle Lockwing Ball Valve

N = Flanged Tubing with Meter Nut

P = 1" Port Angle Dual Check Valve (ASSE 1024)

Q = Standard Port Angle Lockwing Ball Valve

Z = Brass Elbow

**NOTE:** Unless specified all tandem components have meter nuts without support lip.

- Standard device for 5/8", 5/8" x 3/4", 3/4" = 4"- 5" Long FNPT x FNPT

- Standard device for 1" = 5"- 6" Long FNPT x FNPT

### OPTIONS

- Assemblies shipped with two 1/8" EPDM rubber meter gaskets.

- Insert stiffeners are required on all flexible plastic connections.

- **Not all combinations available, contact factory with your requirements.**

- **MOST METER SETTERS ARE MADE TO ORDER AND ARE NOT RETURNABLE.**

- Please verify with the factory that the model number you have configured is available and meets your requirements.



## 731 Series

FOR 5/8", 5/8" X 3/4", 3/4", OR 1" METERS

Vertical Style, Integral CTS, PEP or C903 Compression Inlet & Outlet



Model 731-2--WXTT 33

Part No.	5/8" Meter Size	Carton PCS/WT	Part No.	Price
5156-052	731-1--WXTT 33	6/25	\$206.23	

Part No.	5/8" x 3/4" Meter Size	Carton PCS/WT	Price
5136-127	731-2--WXTT 33	6/27	\$206.23

Part No.	3/4" Meter Size	Carton PCS/WT	Price
	731-3--WXTT 33	6/30	\$268.50

Part No.	1" Meter Size	Carton PCS/WT	Price
5157-030	731-4--WXTT 44	3/26	\$397.90

### Single Setter (with Saddle Nut)

		1	2	3	4
Options - add or subtract from base setter model		5/8"	5/8" x 3/4"	3/4"	1"
Standard Ball Valve	W	\$83.78	\$83.78	\$83.78	\$168.10
Full Port Ball Valve	J	\$152.98	\$152.98	\$152.98	\$230.45
Plug Valve	L	\$68.94	\$68.94	\$68.94	\$105.69
Single Check Valve	C	\$76.06	\$76.06	\$76.06	\$91.41
Dual Check - ASSE - Standard	D	\$153.13	\$153.13	\$153.13	\$145.22
Dual Check - Cartridge	D* x 995	See "D" above	See "D" above	See "D" above	See "D" above
Dual Check - Cascading	D* x 992	\$139.73	\$139.73	\$139.73	\$145.23
Dual Check - ASSE - Full Port	M	See "D" above	See "D" above	See "D" above	\$265.79
Meter Swivel Nut	X	N/C	N/C	N/C	N/C
Additional height in 3" increments		\$9.36	\$9.36	\$12.91	\$15.00

### Tandem Setter (less Saddle Nut)

Change model from 731 series to 751R series

		1	2	3	4
Options - add or subtract from base setter model		5/8"	5/8" x 3/4"	3/4"	1"
Standard Ball Valve	Q	\$83.78	\$83.78	\$83.78	\$168.10
Full Port Ball Valve	K	\$152.98	\$152.98	\$152.98	\$230.45
Plug Valve	G	\$68.94	\$68.94	\$68.94	\$105.69
Single Check Valve	A	\$76.06	\$76.06	\$76.06	\$91.41
Dual Check - ASSE - Standard	F	\$153.13	\$153.13	\$153.13	\$145.22
Dual Check - Cartridge	F* x 995	See "F" above	See "F" above	See "F" above	See "F" above
Dual Check - Cascading	F* x 992	\$139.73	\$139.73	\$139.73	\$145.23
Dual Check - ASSE - Full Port	P	See "F" above	See "F" above	See "F" above	\$265.79
Meter Swivel Nut	N	N/C	N/C	N/C	N/C
Tandem adder	7" - 9"	\$164.99	\$176.27	\$214.30	-
	12"	\$164.99	\$176.27	\$215.67	\$321.87
	15"	\$145.05	\$156.26	\$195.74	\$321.87
	18" - 21"	\$149.73	\$161.10	\$200.54	\$321.87
	24" & Above	\$149.73	\$161.10	\$200.54	\$337.85

Tandem Setters or resetters include (2) 74619 connections and "S" tube with meter swivel nuts

#### Contact Factory for the following:

- Handles for ball valves
- Test cap on check valves
- 360° turn valve cap (less check)

- NOTES:**
- 12" minimum height for 1" setters with dual check.
  - Horizontal bracing eye, wire seal hole and lockwing are standard.
  - N/C = No additional charge.

#### Inlet / Outlet Option Adders (Price per end):

5/8", 5/8" x 3/4", or 3/4" Meters

Option	Size	List	Size	List
B - "-3G" PEP Grip	3/4"	N/C		
G - "G" CTS Grip	3/4"	N/C	1"	\$22.00
H - "H" CTS HandyLoc	3/4"	\$4.44	1"	\$27.90
J - C903 type	3/4"	\$33.10	1"	\$45.54
Q - "Q" CTS	3/4"	N/C	1"	\$22.01
T - "T" CTS	3/4"	N/C	1"	\$22.01
Y - "-3H" Pep HandyLoc	3/4"	\$5.91		
Z - "-3Q" PEP pipe	3/4"	N/C		

1" Meters

Option	Size	List
G - "G" CTS Grip	1"	N/C
H - "H" CTS HandyLoc	1"	\$5.91
J - C903 type	1"	\$45.53
Q - "Q" CTS	1"	N/C
T - "T" CTS	1"	N/C



## 732 Series

FOR 5/8", 5/8" X 3/4", 3/4", OR 1" METERS

Vertical Style, Integral -22 CTS, -33 PEP-7, -44 PVC, or -55 IP Compression Inlet & Outlet



To order 732 Series Model No. **732-2--WX22 33** above means:

732	-	2	--	INLET OUTLET WX	INLET OUTLET 22		33
Series	Style   -- = Standard	Meter Size   1 = 5/8" 2 = 5/8" x 3/4" 3 = 3/4" 4 = 1"	Meter Height   -- = 7" 09 = 9" -- = 10" 12 = 12" 15 = 15" 18 = 18" 21 = 21" 24 = 24" 27 = 27"	Inlet and Outlet Valves   C = 3/4" & 1" Port Angle Single Check Valve D = 3/4" Port Angle Dual Check Valve (ASSE 1024) L = Angle Lockwing Plug Valve J = 3/4" & 1" Port Angle Lockwing Ball Valve M = 1" Port Angle Dual Check Valve (ASSE 1024) W = Standard Port Angle Lockwing Ball Valve X = Flanged Tubing with Meter Nut	Type of connection Inlet and Outlet   5/8", 5/8" x 3/4", 3/4" Meters 2 = "-22" CTS MacPak Integral (3/4", 1") 3 = "-33" PEP MacPak Integral (3/4") 4 = "-44" PVC MacPak Integral (3/4") 5 = "-55" IP MacPak Integral (3/4")  1" Meters 2 = "-22" CTS MacPak Integral (1")	Blank Space	Size Inlet & Outlet   3 = 3/4" 4 = 1"
			18" & Taller includes Brace Support Bar	Additional heights available, contact factory			

**NOTES:** - 12" minimum height for 1" setter with ASSE dual cartridge check valve  
- 10" minimum height for 1" setter with ASSE cascading dual check valve or meter swivel

### For Tandem Series

#### 752R Series Vertical Tandem Setter



**Example 752R207QN22 33**  
Tandem setters are supplied with adapters and "S" tube. Please specify device length and threads when ordering.  
**12" minimum height on 1" tandem**

\*See Plumbing Catalog for meter x meter PRV

- A = 3/4" & 1" Port Angle Single Check Valve
- F = 3/4" Port Angle Dual Check Valve (ASSE 1024)
- G = Angle Lockwing Plug Valve
- K = 3/4" & 1" Port Angle Lockwing Ball Valve
- N = Flanged Tubing with Meter Nut
- P = 1" Port Angle Dual Check Valve (ASSE 1024)
- Q = Standard Port Angle Lockwing Ball Valve
- Z = Brass Elbow

**NOTE:** Unless specified all tandem components have meter nuts without support lip.

- Standard device for 5/8", 5/8" x 3/4", 3/4" = 4" - 5" Long FNPT x FNPT
- Standard device for 1" = 5" - 6" Long FNPT x FNPT

### OPTIONS

- Assemblies shipped with two 1/8" EPDM rubber meter gaskets.
- Insert stiffeners are required on all flexible plastic connections.
- **Not all combinations available, contact factory with your requirements.**
- **MOST METER SETTERS ARE MADE TO ORDER AND ARE NOT RETURNABLE.**
- Please verify with the factory that the model number you have configured is available and meets your requirements.





## 732 Series

FOR 5/8", 5/8" X 3/4", 3/4", OR 1" METERS

Vertical Style, Integral -22 CTS, -33 PEP-7, -44 PVC, or -55 IP Compression Inlet & Outlet



Model 732-2--WX22 33

Part No.	5/8" Meter Size	Carton PCS/WT	Price	Part No.	5/8" x 3/4" Meter Size	Carton PCS/WT	Price
5156-053	732-1--WX22 33	6/36	\$206.23	5141-118	732-2--WX22 33	6/24	\$206.23

Part No.	3/4" Meter Size	Carton PCS/WT	Price	Part No.	1" Meter Size	Carton PCS/WT	Price
5156-065	732-3--WX22 33	6/27	\$267.94	5157-031	732-4--WX22 44	3/18	\$397.90

### Single Setter (with Saddle Nut)

		1	2	3	4
Options - add or subtract from base setter model		5/8"	5/8" x 3/4"	3/4"	1"
Standard Ball Valve	W	\$83.78	\$83.78	\$83.78	\$168.10
Full Port Ball Valve	J	\$152.98	\$152.98	\$152.98	\$230.45
Plug Valve	L	\$68.94	\$68.94	\$68.94	\$105.69
Single Check Valve	C	\$76.06	\$76.06	\$76.06	\$91.41
Dual Check - ASSE - Standard	D	\$153.13	\$153.13	\$153.13	\$145.22
Dual Check - Cartridge	D* x 995	See "D" above	See "D" above	See "D" above	See "D" above
Dual Check - Cascading	D* x 992	\$139.73	\$139.73	\$139.73	\$145.23
Dual Check - ASSE - Full Port	M	See "D" above	See "D" above	See "D" above	\$265.79
Meter Swivel Nut	X	N/C	N/C	N/C	N/C
Additional height in 3" increments		\$9.36	\$9.36	\$12.91	\$15.00

### Tandem Setter (less Saddle Nut)

Change model from 732 series to 752R series

		1	2	3	4
Options - add or subtract from base setter model		5/8"	5/8" x 3/4"	3/4"	1"
Standard Ball Valve	Q	\$83.78	\$83.78	\$83.78	\$168.10
Full Port Ball Valve	K	\$152.98	\$152.98	\$152.98	\$230.45
Plug Valve	G	\$68.94	\$68.94	\$68.94	\$105.69
Single Check Valve	A	\$76.06	\$76.06	\$76.06	\$91.41
Dual Check - ASSE - Standard	F	\$153.13	\$153.13	\$153.13	\$145.22
Dual Check - Cartridge	F* x 995	See "F" above	See "F" above	See "F" above	See "F" above
Dual Check - Cascading	F* x 992	\$139.73	\$139.73	\$139.73	\$145.23
Dual Check - ASSE - Full Port	P	See "F" above	See "F" above	See "F" above	\$265.79
Meter Swivel Nut	N	N/C	N/C	N/C	N/C
Tandem adder	7" - 9"	\$164.99	\$176.27	\$214.30	-
	12"	\$164.99	\$176.27	\$215.67	\$321.87
	15"	\$145.05	\$156.26	\$195.74	\$321.87
	18" - 21"	\$149.73	\$161.10	\$200.54	\$321.87
	24" & Above	\$149.73	\$161.10	\$200.54	\$337.85

Tandem Setters or resetters include (2) 74619 connections and "S" tube with meter swivel nuts

### Contact Factory for the following:

- Handles for ball valves
- Test cap on check valves
- 360° turn valve cap (less check)

- NOTES:**
- 12" minimum height for 1" setters with dual check.
  - Horizontal bracing eye, wire seal hole and locking are standard.
  - **N/C** = No additional charge.

### Inlet / Outlet Option Adders (Price per end):

5/8", 5/8" x 3/4", or 3/4" Meters

Option	Size	List	Size	List
2 - "-22" CTS	3/4"	N/C	1"	\$22.01
3 - "-33" PEP	3/4"	N/C		
4 - "-44" PVC	3/4"	N/C		
5 - "-55" IP	3/4"	N/C		

1" Meters

Option	Size	List
2 - "-22" CTS	1"	N/C



## 737 Series

FOR 5/8", 5/8" X 3/4", 3/4", OR 1" METERS

Vertical Style, Integral Flare Inlet x Integral Flare Outlet



To order 737 Series Model No. **737-2--WXCC 33** above means:

737	-	2	--	INLET OUTLET WX	INLET OUTLET CC		33
Series	Style   -- Standard	Meter Size   1 = 5/8" 2 = 5/8" x 3/4" 3 = 3/4" 4 = 1"	Meter Height   -- = 7" 09 = 9" -- = 10" 12 = 12" 15 = 15" 18 = 18" 21 = 21" 24 = 24" 27 = 27"	Inlet and Outlet Valves   C = 3/4" & 1" Port Angle Single Check Valve D = 3/4" Port Angle Dual Check Valve (ASSE 1024) L = Angle Lockwing Plug Valve J = 3/4" & 1" Port Angle Lockwing Ball Valve M = 1" Port Angle Dual Check Valve (ASSE 1024) W = Standard Port Angle Lockwing Ball Valve X = Flanged Tubing with Meter Nut	Type of connection Inlet and Outlet   5/8", 5/8" x 3/4", 3/4" Meters C = Copper Flare Integral (3/4" or 1") 1" Meters C = Copper Flare Integral (1")	Blank Space	Size Inlet & Outlet   3 = 3/4" 4 = 1"

18" & Taller includes  
Brace Support Bar

Additional heights available, contact factory

**NOTES:** - 12" minimum height for 1" setter with ASSE dual cartridge check valve  
- 10" minimum height for 1" setter with ASSE cascading dual check valve or meter swivel

For other special meter connections, contact factory.

### For Tandem Series



759R Series Vertical Tandem Setter

**Example 759R207QNCC 33**  
Tandem setters are supplied with adapters and "S" tube. Please specify device length and threads when ordering.  
**12" minimum height on 1" tandem**

\*See Plumbing Catalog for meter x meter PRV

- A = 3/4" & 1" Port Angle Single Check Valve
- F = 3/4" Port Angle Dual Check Valve (ASSE 1024)
- G = Angle Lockwing Plug Valve
- K = 3/4" & 1" Port Angle Lockwing Ball Valve
- N = Flanged Tubing with Meter Nut
- P = 1" Port Angle Dual Check Valve (ASSE 1024)
- Q = Standard Port Angle Lockwing Ball Valve
- Z = Brass Elbow

**NOTE:** Unless specified all tandem components have meter nuts without support lip.

- Standard device for 5/8", 5/8" x 3/4", 3/4" = 4" - 5" Long FNPT x FNPT
- Standard device for 1" = 5" - 6" Long FNPT x FNPT

### OPTIONS

- Assemblies shipped with two 1/8" EPDM rubber meter gaskets.
- Insert stiffeners are required on all flexible plastic connections.
- **Not all combinations available, contact factory with your requirements.**
- **MOST METER SETTERS ARE MADE TO ORDER AND ARE NOT RETURNABLE.**
- Please verify with the factory that the model number you have configured is available and meets your requirements.



## 737 Series

FOR 5/8", 5/8" X 3/4", 3/4", OR 1" METERS

Vertical Style, Integral Flare Inlet x Integral Flare Outlet



Model 737-2--WXCC 33

Part No.	5/8" Meter Size	Carton PCS/WT	Price
5156-036	737-1--WXCC 33	6/24	\$204.48

Part No.	5/8" x 3/4" Meter Size	Carton PCS/WT	Price
5136-119	737-2--WXCC 33	6/28	\$204.48

Part No.	3/4" Meter Size	Carton PCS/WT	Price
5156-042	737-3--WXCC 33	6/28	\$239.08

Part No.	1" Meter Size	Carton PCS/WT	Price
5157-032	737-4--WXCC 44	3/24	\$407.77

### Single Setter (with Saddle Nut)

		1	2	3	4
Options - add or subtract from base setter model		5/8"	5/8" x 3/4"	3/4"	1"
Standard Ball Valve	W	\$83.78	\$83.78	\$83.78	\$168.10
Full Port Ball Valve	J	\$152.98	\$152.98	\$152.98	\$230.45
Plug Valve	L	\$68.94	\$68.94	\$68.94	\$105.69
Single Check Valve	C	\$76.06	\$76.06	\$76.06	\$91.41
Dual Check - ASSE - Standard	D	\$153.13	\$153.13	\$153.13	\$145.22
Dual Check - Cartridge	D* x 995	See "D" above	See "D" above	See "D" above	See "D" above
Dual Check - Cascading	D* x 992	\$139.73	\$139.73	\$139.73	\$145.23
Dual Check - ASSE - Full Port	M	See "D" above	See "D" above	See "D" above	\$265.79
Meter Swivel Nut	X	N/C	N/C	N/C	N/C
Additional height in 3" increments		\$9.36	\$9.36	\$12.91	\$15.00

### Tandem Setter (less Saddle Nut)

Change model from 737 series to 759R series

		1	2	3	4
Options - add or subtract from base setter model		5/8"	5/8" x 3/4"	3/4"	1"
Standard Ball Valve	Q	\$83.78	\$83.78	\$83.78	\$168.10
Full Port Ball Valve	K	\$152.98	\$152.98	\$152.98	\$230.45
Plug Valve	G	\$68.94	\$68.94	\$68.94	\$105.69
Single Check Valve	A	\$76.06	\$76.06	\$76.06	\$91.41
Dual Check - ASSE - Standard	F	\$153.13	\$153.13	\$153.13	\$145.22
Dual Check - Cartridge	F* x 995	See "F" above	See "F" above	See "F" above	See "F" above
Dual Check - Cascading	F* x 992	\$139.73	\$139.73	\$139.73	\$145.23
Dual Check - ASSE - Full Port	P	See "F" above	See "F" above	See "F" above	\$265.79
Meter Swivel Nut	N	N/C	N/C	N/C	N/C
Tandem adder	7" - 9"	\$164.99	\$176.27	\$214.30	-
	12"	\$164.99	\$176.27	\$215.67	\$321.87
	15"	\$145.05	\$156.26	\$195.74	\$321.87
	18" - 21"	\$149.73	\$161.10	\$200.54	\$321.87
	24" & Above	\$149.73	\$161.10	\$200.54	\$337.85

Tandem Setters or resetters include (2) 74619 connections and "S" tube with meter swivel nuts

### Contact Factory for the following:

1. Handles for ball valves
2. Test cap on check valves
3. 360° turn valve cap (less check)

- NOTES:**
- 12" minimum height for 1" setters with dual check.
  - Horizontal bracing eye, wire seal hole and lockwing are standard.
  - N/C = No additional charge.

### Inlet Option Adders (Price per end):

5/8" or 5/8" x 3/4" Meters

Option	Size	List	Size	List
C - Copper Flare	3/4"	N/C	1"	\$11.17

1" Meters

Option	Size	List
C - Copper Flare	1"	N/C



## 738 Series

FOR 5/8", 5/8" X 3/4", 3/4", OR 1" METERS

Vertical Style, Integral MNPT Inlet x Integral MNPT Outlet



To order 738 Series Model No. **738-2--WXPP 33** above means:

738	-	2	--	INLET OUTLET WX	INLET OUTLET PP		33
Series	Style  -- Standard	Meter Size 1 = 5/8" 2 = 5/8" x 3/4" 3 = 3/4" 4 = 1"	Meter Height -- = 7" 09 = 9" -- = 10" 12 = 12" 15 = 15" 18 = 18" 21 = 21" 24 = 24" 27 = 27"	Inlet and Outlet Valves C = 3/4" & 1" Port Angle Single Check Valve D = 3/4" Port Angle Dual Check Valve (ASSE 1024) L = Angle Lockwing Plug Valve J = 3/4" & 1" Port Angle Lockwing Ball Valve M = 1" Port Angle Dual Check Valve (ASSE 1024) W = Standard Port Angle Lockwing Ball Valve X = Flanged Tubing with Meter Nut	Type of connection Inlet and Outlet 5/8", 5/8" x 3/4", 3/4" Meters P = Male Iron Pipe Integral (3/4") 1" Meters P = Male Iron Pipe Integral (1")	Blank Space	Size Inlet & Outlet 3 = 3/4" 4 = 1"
		18" & Taller includes Brace Support Bar	Additional heights available, contact factory				

**NOTES:** - 12" minimum height for 1" setter with ASSE dual cartridge check valve  
- 10" minimum height for 1" setter with ASSE cascading dual check valve or meter swivel

For other special meter connections, contact factory.

### For Tandem Series



**758R Series Vertical Tandem Setter**

**Example 758R207QNPP 33**  
Tandem setters are supplied with adapters and "S" tube. Please specify device length and threads when ordering.  
**12" minimum height on 1" tandem**

\*See Plumbing Catalog for meter x meter PRV

- A = 3/4" & 1" Port Angle Single Check Valve
- F = 3/4" Port Angle Dual Check Valve (ASSE 1024)
- G = Angle Lockwing Plug Valve
- K = 3/4" & 1" Port Angle Lockwing Ball Valve
- N = Flanged Tubing with Meter Nut
- P = 1" Port Angle Dual Check Valve (ASSE 1024)
- Q = Standard Port Angle Lockwing Ball Valve Rated at 300 PSIG
- Z = Brass Elbow

**NOTE:** Unless specified all tandem components have meter nuts without support lip.

- Standard device for 5/8", 5/8" x 3/4", 3/4" = 4"- 5" Long FNPT x FNPT
- Standard device for 1" = 5"- 6" Long FNPT x FNPT

### OPTIONS

- Assemblies shipped with two 1/8" EPDM rubber meter gaskets.
- Insert stiffeners are required on all flexible plastic connections.
- **Not all combinations available, contact factory with your requirements.**
- **MOST METER SETTERS ARE MADE TO ORDER AND ARE NOT RETURNABLE.**
- Please verify with the factory that the model number you have configured is available and meets your requirements.



## 738 Series

FOR 5/8", 5/8" X 3/4", 3/4", OR 1" METERS

Vertical Style, Integral MNPT Inlet x Integral MNPT Outlet



Model 738-2--WXPP 33

Part No.	5/8" Meter Size	Carton PCS/WT	Price	Part No.	5/8" x 3/4" Meter Size	Carton PCS/WT	Price
5157-003	738-1--WXPP 33	6/22	\$234.23	5157-051	738-2--WXPP 33	6/23	\$234.23

Part No.	3/4" Meter Size	Carton PCS/WT	Price	Part No.	1" Meter Size	Carton PCS/WT	Price
5158-023	738-3--WXPP 33	6/30	\$263.64	5157-205	738-4--WXPP 44	3/22	\$438.28

### Single Setter (with Saddle Nut)

		1	2	3	4
Options - add or subtract from base setter model		5/8"	5/8" x 3/4"	3/4"	1"
Standard Ball Valve	W	\$83.78	\$83.78	\$83.78	\$168.10
Full Port Ball Valve	J	\$152.98	\$152.98	\$152.98	\$230.45
Plug Valve	L	\$68.94	\$68.94	\$68.94	\$105.69
Single Check Valve	C	\$76.06	\$76.06	\$76.06	\$91.41
Dual Check - ASSE - Standard	D	\$153.13	\$153.13	\$153.13	\$145.22
Dual Check - Cartridge	D* x 995	See "D" above	See "D" above	See "D" above	See "D" above
Dual Check - Cascading	D* x 992	\$139.73	\$139.73	\$139.73	\$145.23
Dual Check - ASSE - Full Port	M	See "D" above	See "D" above	See "D" above	\$265.79
Meter Swivel Nut	X	N/C	N/C	N/C	N/C
Additional height in 3" increments		\$9.36	\$9.36	\$12.91	\$15.00

### Tandem Setter (less Saddle Nut)

Change model from 738 series to 758R series

		1	2	3	4
Options - add or subtract from base setter model		5/8"	5/8" x 3/4"	3/4"	1"
Standard Ball Valve	Q	\$83.78	\$83.78	\$83.78	\$168.10
Full Port Ball Valve	K	\$152.98	\$152.98	\$152.98	\$230.45
Plug Valve	G	\$68.94	\$68.94	\$68.94	\$105.69
Single Check Valve	A	\$76.06	\$76.06	\$76.06	\$91.41
Dual Check - ASSE - Standard	F	\$153.13	\$153.13	\$153.13	\$145.22
Dual Check - Cartridge	F* x 995	See "F" above	See "F" above	See "F" above	See "F" above
Dual Check - Cascading	F* x 992	\$139.73	\$139.73	\$139.73	\$145.23
Dual Check - ASSE - Full Port	P	See "F" above	See "F" above	See "F" above	\$265.79
Meter Swivel Nut	N	N/C	N/C	N/C	N/C
Tandem adder	7" - 9"	\$164.99	\$176.27	\$214.30	-
	12"	\$164.99	\$176.27	\$215.67	\$321.87
	15"	\$145.05	\$156.26	\$195.74	\$321.87
	18" - 21"	\$149.73	\$161.10	\$200.54	\$321.87
	24" & Above	\$149.73	\$161.10	\$200.54	\$337.85

Tandem Setters or resetters include (2) 74619 connections and "S" tube with meter swivel nuts

#### Contact Factory for the following:

1. Handles for ball valves
2. Test cap on check valves
3. 360° turn valve cap (less check)

- NOTES:**
- 12" minimum height for 1" setters with dual check.
  - Horizontal bracing eye, wire seal hole and locking are standard.
  - **N/C** = No additional charge.

#### Inlet Option Adders (Price per end):

5/8", 5/8" x 3/4" or 3/4" Meters

Option	Size	List	Size	List
P - Male iron pipe thread	3/4"	N/C	1"	\$5.56

1" Meters

Option	Size	List
P - Male iron pipe thread	1"	N/C



## 739 Series

FOR 5/8", 5/8" X 3/4", 3/4", OR 1" METERS

Vertical/Horizontal Style, Multiple Combinations

- Not all combinations are available, contact factory

Model 739-207WXCD 33



Flare Integral

Double Purpose Outlet\*

To order 739 Series Model No. **739-207WXCD 33** above means:

<b>739</b>	<b>-</b>	<b>2</b>	<b>07</b>	<b>WX</b>	<b>CD</b>		<b>33</b>	
<b>Series</b>	<b>Style</b>	<b>Meter Size</b>	<b>Meter Height</b>	<b>Inlet and Outlet Valves</b>	<b>Type of connection Inlet and Outlet</b>	<b>Blank Space</b>	<b>Size Inlet &amp; Outlet</b>	
	- = Standard C = Swaps Vertical x Horizontal	1 = 5/8" 2 = 5/8" x 3/4" 3 = 3/4" 4 = 1"	07 = 7" 09 = 9" 10 = 10" 12 = 12" 15 = 15" 18 = 18" 21 = 21" 24 = 24" 27 = 27"	<b>C</b> = 3/4" & 1" Port Angle Single Check Valve <b>D</b> = 3/4" Port Angle Dual Check Valve (ASSE 1024) <b>L</b> = Angle Lockwing Plug Valve <b>J</b> = 3/4" & 1" Port Angle Lockwing Ball Valve <b>M</b> = 1" Port Angle Dual Check Valve (ASSE 1024) <b>W</b> = Standard Port Angle Lockwing Ball Valve <b>X</b> = Flanged Tubing with Meter Nut	5/8", 5/8" x 3/4", 3/4" Meters <b>C</b> = Copper Flare (3/4") <b>G</b> = "G" CTS McGrip Integral (3/4") <b>H</b> = "H" CTS PE Handyloc Integral (3/4") <b>Q</b> = "Q" CTS McQuik Integral (3/4") <b>T</b> = "T" CTS Integral (3/4") <b>2</b> = "-22" CTS MacPak Integral (3/4")		1 = 1/2" 3 = 3/4" 4 = 1" 5 = 1 1/4"	
*For Horizontal x Vertical: Use "C" in the Style spot, I.E. 739-215WC22 33 changes to 739C215WC22 33		18" & Taller includes Brace Support Bar		Additional heights available, contact factory	For other special meter connections, contact factory.			

**NOTES:** - 12" minimum height for 1" setter with ASSE dual cartridge check valve  
- 10" minimum height for 1" setter with ASSE cascading dual check valve or meter swivel

### For Tandem Series



**Example 759S207QNCD 33**  
Tandem setters are supplied with adapters and "S" tube. Please specify device length and threads when ordering.  
12" minimum height on 1" tandem

\*See Plumbing Catalog for meter x meter PRV

- A** = 3/4" & 1" Port Angle Single Check Valve
- F** = 3/4" Port Angle Dual Check Valve (ASSE 1024)
- G** = Angle Lockwing Plug Valve
- K** = 3/4" & 1" Port Angle Lockwing Ball Valve
- N** = Flanged Tubing with Meter Nut
- P** = 1" Port Angle Dual Check Valve (ASSE 1024)
- Q** = Standard Port Angle Lockwing Ball Valve
- Z** = Brass Elbow

**NOTE:** Unless specified all tandem components have meter nuts without support lip.

- Standard device for 5/8", 5/8" x 3/4", 3/4" = 4" - 5" Long FNPT x FNPT
- Standard device for 1" = 5" - 6" Long FNPT x FNPT

### OPTIONS

- Assemblies shipped with two 1/8" EPDM rubber meter gaskets.
- Insert stiffeners are required on all flexible plastic connections.
- Not all combinations available, contact factory with your requirements.
- MOST METER SETTERS ARE MADE TO ORDER AND ARE NOT RETURNABLE.
- Please verify with the factory that the model number you have configured is available and meets your requirements.

**759S Series Vertical x Horizontal Tandem Setter**





## 739 Series

FOR 5/8", 5/8" X 3/4", 3/4", OR 1" METERS

Vertical/Horizontal Style, Multiple Combinations

- Not all combinations are available, contact factory



Flare Integral Double Purpose Outlet\*

Model 739-207WXCD 33

Part No.	5/8" Meter Size	Carton PCS/WT	Price	Part No.	5/8" x 3/4" Meter Size	Carton PCS/WT	Price
5150-000	739-107WXCD 33	6/43	\$226.08	5150-127	739-207WXCD 33	6/45	\$226.08

Part No.	3/4" Meter Size	Carton PCS/WT	Price	Part No.	1" Meter Size	Carton PCS/WT	Price
5150-128	739-307WXCD 33	6/48	\$226.08		739-410WXCD 44	3/30	\$435.04

### Single Setter (with Saddle Nut)

Options - add or subtract from base setter model			1	2	3	4
			5/8"	5/8" x 3/4"	3/4"	1"
Standard Ball Valve	W		\$83.78	\$83.78	\$83.78	\$168.10
Full Port Ball Valve	J		\$152.98	\$152.98	\$152.98	\$230.45
Plug Valve	L		\$68.94	\$68.94	\$68.94	\$105.69
Single Check Valve	C		\$76.06	\$76.06	\$76.06	\$91.41
Dual Check - ASSE - Standard	D		\$153.13	\$153.13	\$153.13	\$145.22
Dual Check - Cartridge	D* x 995	See "D" above	See "D" above	See "D" above	See "D" above	
Dual Check - Cascading	D* x 992		\$139.73	\$139.73	\$139.73	\$145.23
Dual Check - ASSE - Full Port	M	See "D" above	See "D" above	See "D" above	See "D" above	\$265.79
Meter Swivel Nut	X		N/C	N/C	N/C	N/C
Additional height in 3" increments			\$9.36	\$9.36	\$12.91	\$15.00

### Tandem Setter (less Saddle Nut)

Change model from 739 series to 759S series

Options - add or subtract from base setter model			1	2	3	4	
			5/8"	5/8" x 3/4"	3/4"	1"	
Standard Ball Valve	Q		\$83.78	\$83.78	\$83.78	\$168.10	
Full Port Ball Valve	K		\$152.98	\$152.98	\$152.98	\$230.45	
Plug Valve	G		\$68.94	\$68.94	\$68.94	\$105.69	
Single Check Valve	A		\$76.06	\$76.06	\$76.06	\$91.41	
Dual Check - ASSE - Standard	F		\$153.13	\$153.13	\$153.13	\$145.22	
Dual Check - Cartridge	F* x 995	See "F" above	See "F" above	See "F" above	See "F" above	See "F" above	
Dual Check - Cascading	F* x 992		\$139.73	\$139.73	\$139.73	\$145.23	
Dual Check - ASSE - Full Port	P	See "F" above	See "F" above	See "F" above	See "F" above	\$265.79	
Meter Swivel Nut	N		N/C	N/C	N/C	N/C	
Tandem adder			7" - 9"	\$164.99	\$176.27	\$214.30	-
			12"	\$164.99	\$176.27	\$215.67	\$321.87
			15"	\$145.05	\$156.26	\$195.74	\$321.87
			18" - 21"	\$149.73	\$161.10	\$200.54	\$321.87
			24" Above &	\$149.73	\$161.10	\$200.54	\$337.85

Tandem Setters or resetters include (2) 74619 connections and "S" tube with meter swivel nuts

Contact Factory for the following:

- Handles for ball valves
- Test cap on check valves
- 360° turn valve cap (less check)

NOTES: - 12" minimum height for 1" setters with dual check.  
- Horizontal bracing eye, wire seal hole and locking are standard.  
- N/C = No additional charge.

### Inlet Option Adders (Price per end):

5/8", 5/8" x 3/4", or 3/4" Meters

\*Don't deduct "C" flare

Option	Size	List	Size	List
B - "-3G" PEP McGrip union	3/4"	\$55.37		
C - Copper flare union	3/4"	\$26.86	1"	\$48.33
D - Double Purpose union (Flare or FNPT)	3/4"	N/C		
F - FNPT union	1/2"	\$13.93	1"	\$12.52
G - "G" CTS union	3/4"	\$19.17		
H - "H" CTS HandyLoc union	3/4"	\$23.61		
J - C903 type union	3/4"	\$52.27		
L - Less end connection	3/4"	-\$19.64		
M - MNPT union	3/4"	N/C	1"	\$12.52
Q - "Q" CTS union	3/4"	\$19.17	1"	\$43.11
S - Solder union	3/4"	N/C	1"	\$6.51
T - "T" CTS union	3/4"	\$19.17	1"	\$43.11
Z - 3Q PEP union	3/4"	\$55.37		
2 - "-22" CTS union	3/4"	\$19.17	1"	\$43.11
3 - "-33" PEP union	3/4"	\$55.37		
4 - "-44" PVC union	3/4"	\$55.37		
5 - "-55" IP union	3/4"	\$55.37		

### Integral Inlet / Outlet Option Adders (Price per end):

5/8", 5/8" x 3/4", or 3/4" Meters

Option	Size	List
C - Copper flare	3/4"	N/C
G - "G" CTS	3/4"	\$6.70
H - "H" CTS Handy Loc	3/4"	\$11.12
Q - "Q" CTS	3/4"	\$6.70
T - "T" CTS	3/4"	\$6.70
2 - "-22" CTS	3/4"	\$6.70

### Inlet / Outlet Option Adders (Price per end):

1" Meters

Option	Size	List
C - Copper flare	1"	N/C
G - "G" CTS	1"	\$12.15
H - "H" CTS Handy Loc	1"	\$18.08
J - C903	1"	\$57.68
Q - "Q" CTS	1"	\$12.15
T - "T" CTS	1"	\$12.15
2 - "-22" CTS	1"	\$12.15

### Union Inlet / Outlet Option Adders (Price per end):

1" Meters

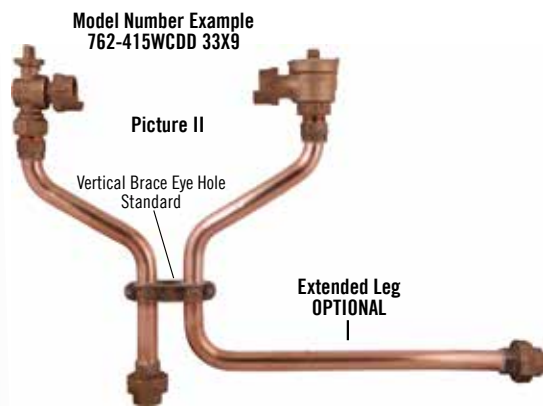
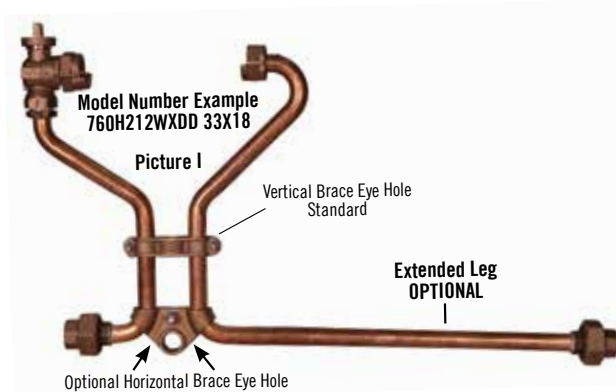
Option	Size	List
D - Double Purpose Union (Flare or FNPT)	1"	N/C
J - C903 type union	1"	\$80.35
L - Less end connection	1"	-\$28.87
M - MNPT union	1"	N/C
Q - "Q" CTS union	1"	\$34.82
S - Solder union	1"	N/C
T - "T" CTS union	1"	\$34.82
2 - "-22" CTS union	1"	\$34.82



## 760 & 762 Series

FOR 5/8", 5/8" X 3/4", 3/4", OR 1" METERS

Horizontal "F" Series (Flexible)



To order 760 Series Model No. **761-222WCDD 33x9** above means:

<b>760</b>	<b>-</b>	<b>2</b>	<b>12</b>	<b>WX</b>	<b>DD</b>		<b>33</b>	<b>9</b>
<b>Series</b> 760 = Horizontal 762 = Vertical x Horizontal	<b>Style</b> - = Standard H = Horizontal Brace Eye (3/4" or 1")	<b>Meter Size</b> 1 = 5/8" 2 = 5/8" x 3/4" 3 = 3/4" 4 = 1"	<b>Meter Height</b> *12 = 12" **15 = 15" 18 = 18" 21 = 21" 24 = 24" 27 = 27"	<b>Inlet and Outlet Valves</b> C = 3/4" & 1" Port Angle Single Check Valve D = 3/4" Port Angle Dual Check Valve (ASSE 1024) L = Angle Lockwing Plug Valve J = 3/4" & 1" Port Angle Lockwing Ball Valve M = 1" Port Angle Dual Check Valve (ASSE 1024) W = Standard Port Angle Lockwing Ball Valve X = Flanged Tubing with Meter Nut	<b>Type of connection Inlet and Outlet</b>	<b>Blank Space</b>	<b>Size Inlet &amp; Outlet</b> 1 3 = 3/4" 4 = 1"	<b>Extended Leg</b> 1 9" 12" 15" 18" 24"

Additional heights available, contact factory

**18" & Taller includes  
Brace Support Bar**

\*Minimum for 5/8", 5/8" x 3/4", 3/4" Meter  
\*\* Minimum for 1" Meter

### 5/8", 5/8" x 3/4", 3/4" Meters

- B = "-3G" PEP McGrip Integral (3/4" or 1")
- C = Copper Flare Integral (3/4" or 1")
- D = Double Purpose Union (Flare or FNPT) (3/4")
- F = FNPT Union (1/2" or 1")
- G = "G" CTS McGrip Integral (3/4" or 1")
- H = "H" CTS PE Handyloc Integral (3/4" or 1")
- I = FNPT Integral (3/4")
- J = C903 Integral (3/4" or 1")
- M = MNPT Union (3/4", 1")
- P = MNPT Integral (3/4" or 1")
- Q = "Q" CTS McQuik Integral (3/4" or 1")
- S = Solder Union (3/4" or 1")
- T = "T" CTS Integral (3/4" or 1")
- Y = "-3H" PEP Handyloc Integral (3/4" or 1")
- Z = "-3Q" PEP McQuik Integral (3/4")
- 2 = "-22" CTS MacPak Integral (3/4" or 1")
- 3 = "-33" PEP MacPak Integral (3/4")
- 4 = "-44" PVC MacPak Integral (3/4")
- 5 = "-55" IP MacPak Integral (3/4")

### 1" Meters

- B = "-3G" PEP McGrip Union (1")
- C = Copper Flare Integral (1")
- D = Double Purpose Union (Flare or FNPT) 1")
- G = "G" CTS McGrip Union (1")
- H = "H" CTS PE Handyloc Integral (1")
- J = C903 Integral (1")
- I = FNPT Integral (1")
- M = MNPT Union (1" or 1 1/4")
- P = MNPT Integral (1")
- Q = "Q" CTS McQuik Integral (1")
- S = Solder Union (1")
- T = "T" CTS Integral (1")
- Y = "-3H" PEP Handyloc Integral (1")
- Z = "-3Q" PEP McQuik Integral (1")
- 2 = "-22" CTS MacPak Integral (1")
- 3 = "-33" PEP MacPak Integral (1")
- 4 = "-44" PVC MacPak Integral (1")
- 5 = "-55" IP MacPak Integral (1")

### For Tandem Series

#### For 760 Series

**761  
Series  
Horizontal  
Tandem  
Setter**



#### For 762 Series

**763 Series  
Vertical  
Horizontal  
Tandem**

**Example 761-207QNDD 33**  
Tandem setters are supplied with adapters and "S" tube. Please specify device length and threads when ordering.  
**12" minimum height on 1" tandem**

\*See Plumbing Catalog for meter x meter PRV

- Standard device for 5/8", 5/8" x 3/4", 3/4" = 4" - 5" Long FNPT x FNPT
- Standard device for 1" = 5" - 6" Long FNPT x FNPT

### OPTIONS

- Assemblies shipped with two 1/8" EPDM rubber meter gaskets.
- Insert stiffeners are required on all flexible plastic connections.
- **Not all combinations available, contact factory with your requirements.**
- **MOST METER SETTERS ARE MADE TO ORDER AND ARE NOT RETURNABLE.**
- Please verify with the factory that the model number you have configured is available and meets your requirements.

- A = 3/4" & 1" Port Angle Single Check Valve
- F = 3/4" Port Angle Dual Check Valve (ASSE 1024)
- G = Angle Lockwing Plug Valve
- K = 3/4" & 1" Port Angle Lockwing Ball Valve
- N = Flanged Tubing with Meter Nut
- P = 1" Port Angle Dual Check Valve (ASSE 1024)
- Q = Standard Port Angle Lockwing Ball Valve
- Z = Brass Elbow

**NOTE:** Unless specified all tandem components have meter nuts without support lip.

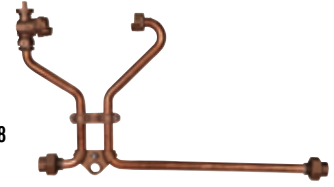


## 760 & 762 Series

FOR 5/8", 5/8" X 3/4", 3/4", OR 1" METERS

Horizontal "F" Style (Flexible) (Prices for 760 & 762 Series)

Model 760H212WXDD 33X18



Part No.	5/8" Meter Size	Carton PCS/WT	Price
5147-000	760-112WXPP 33	6/27	\$264.45
	760-115WXPP 33	6/30	\$270.52
	760-118WXPP 33	6/33	\$301.02
	760-121WXPP 33	6/36	\$312.32
	760-124WXPP 33	6/39	\$321.39

Part No.	5/8" x 3/4" Meter Size	Carton PCS/WT	Price
	760-212WXPP 33	6/27	\$270.19
	760-215WXPP 33	6/30	\$276.28
	760-218WXPP 33	6/33	\$306.64
	760-221WXPP 33	6/36	\$317.85
	760-224WXPP 33	6/39	\$326.94

Part No.	3/4" Meter Size	Carton PCS/WT	Price
	760-312WXPP 33	6/27	\$309.97
	760-315WXPP 33	6/30	\$323.26
5147-082	760-318WXPP 33	6/33	\$349.48
	760-321WXPP 33	6/36	\$361.73
	760-324WXPP 33	6/39	\$374.19

Part No.	1" Meter Size	Carton PCS/WT	Price
	760-415WXPP 44	3/24	\$519.14
5147-044	760-418WXPP 44	3/29	\$565.44
	760-421WXPP 44	3/30	\$587.56
	760-424WXPP 44	3/33	\$601.00

### Connection Option Adders (Price per end):

5/8", 5/8" x 3/4", or 3/4" Meters

Option	Size	List	Size	List
B - "-3G" PEP Grip	3/4"	N/C	1"	\$16.49
C - Copper flare Intergal	3/4"	\$8.20	1"	\$24.67
D - Double Purpose (Flare or FNPT)	3/4"	\$19.58		
F - FNPT union	1/2"	\$40.12	1"	\$48.16
G - "G" CTS Grip	3/4"	\$15.94	1"	\$37.21
I - FNPT Integral		N/C		
J - C903	3/4"	\$33.10	1"	\$45.53
M - MNPT union	3/4"	\$19.58	1"	\$27.98
P - MNPT (Integral)	3/4"	N/C	1"	\$31.56
Q - "Q" CTS	3/4"	\$15.94	1"	\$37.21
S - Solder union	3/4"	\$37.69	1"	\$47.94
T - "T" CTS	3/4"	\$15.94	1"	\$37.21
Y - "-3H" Pep HandyLoc	3/4"	\$5.91	1"	\$25.37
Z - "-3Q" PEP	3/4"	\$21.00	1"	\$47.94
2 - "-22" CTS	3/4"	\$15.94	1"	\$37.21
3 - "-33" PEP	3/4"	\$21.00	1"	\$47.81
4 - "-44" PVC	3/4"	\$21.00	1"	\$47.81
5 - "-55" IP	3/4"	\$21.00	1"	\$47.81

### 1" Meters

Option	Size	List	Size	List
B - "-3G" PEP Grip	1"	\$17.95		
C - Copper flare union	1"	\$17.37		
D - Double Purpose (Flare or FNPT)	1"	\$36.61		
G - "G" CTS Grip	1"	\$23.76		
I - FNPT Integral	1"	N/C		
J - C903	1"	\$48.25		
M - MNPT union	1"	\$36.61		
P - MNPT (Integral)	1"	N/C		
Q - "Q" CTS	1"	\$23.76	1 1/4"	\$8.31
S - Solder union	1"	N/C		
T - "T" CTS	1"	\$23.76		
Y - "-3H" Pep HandyLoc	1"	\$26.92		
Z - "-3Q" PEP	1"	\$46.01		
2 - "-22" CTS	1"	\$23.76		
3 - "-33" PEP	1"	\$46.01		
4 - "-44" PVC	1"	\$46.01		
5 - "-55" IP	1"	\$46.01		

### Single Setter (with Saddle Nut)

Options - add or subtract from base setter model		1	2	3	4
		5/8"	5/8" x 3/4"	3/4"	1"
Standard Ball Valve	W	\$83.78	\$83.78	\$83.78	\$168.10
Full Port Ball Valve	J	\$152.98	\$152.98	\$152.98	\$230.45
Plug Valve	L	\$68.94	\$68.94	\$68.94	\$105.69
Single Check Valve	C	\$76.06	\$76.06	\$76.06	\$91.41
Dual Check - ASSE - Standard	D	\$153.13	\$153.13	\$153.13	\$145.22
Dual Check - Cartridge	D* x 995	See "D" above	See "D" above	See "D" above	See "D" above
Dual Check - Cascading	D* x 992	\$139.73	\$139.73	\$139.73	\$145.23
Dual Check - ASSE - Full Port	M	See "D" above	See "D" above	See "D" above	\$265.79
Meter Swivel Nut	X	N/C	N/C	N/C	N/C
Additional height in 3" increments		\$9.36	\$9.36	\$12.91	\$15.00

### Tandem Setter (less Saddle Nut)

Change model from 760 or 762 series to 761 or 763 series

Options - add or subtract from base setter model		1	2	3	4
		5/8"	5/8" x 3/4"	3/4"	1"
Standard Ball Valve	Q	\$83.78	\$83.78	\$83.78	\$168.10
Full Port Ball Valve	K	\$152.98	\$152.98	\$152.98	\$230.45
Plug Valve	G	\$68.94	\$68.94	\$68.94	\$105.69
Single Check Valve	A	\$76.06	\$76.06	\$76.06	\$91.41
Dual Check - ASSE - Standard	F	\$153.13	\$153.13	\$153.13	\$145.22
Dual Check - Cartridge	F* x 995	See "F" above	See "F" above	See "F" above	See "F" above
Dual Check - Cascading	F* x 992	\$139.73	\$139.73	\$139.73	\$145.23
Dual Check - ASSE - Full Port	P	See "F" above	See "F" above	See "F" above	\$265.79
Meter Swivel Nut	N	N/C	N/C	N/C	N/C
Tandem adder		7" - 9"	\$164.99	\$176.27	\$214.30
		12"	\$164.99	\$176.27	\$321.87
		15"	\$145.05	\$156.26	\$321.87
		18" - 21"	\$149.73	\$161.10	\$200.54
		24" & Above	\$149.73	\$161.10	\$200.54

Tandem Setters or resetters include (2) 74619 connections and "S" tube with meter swivel nuts

Adder for Horizontal Brace eye (H) in Place of Dash (-):

3/4" - \$22.53

1" - \$30.07

### Extended Leg Option

Option	5/8" OR 5/8" x 3/4"	3/4"	1"
9" Leg	\$12.51		\$19.98
12" Leg	\$16.60	\$21.73	\$26.64
15" Leg	\$20.75	\$27.03	\$33.30
18" Leg	\$25.08	\$32.64	\$39.50
24" Leg	\$33.36		\$52.67

### 60-3CBASY F-Style Vertical Bracket Assembly

Description	Price
With Bolts & Nuts	\$30.07

### 60H F-Style

Description	Price
Horizontal Brace Eye 13/16" Tube	\$17.61

### 60G F-Style

Description	Price
Horizontal Brace Eye 7/8" Tube	\$21.50

**NOTES:** - Vertical bracing eye, wire seal hole and locking are standard.  
- N/C = No additional charge.

### Contact Factory for the following:

1. Handles for ball valves
2. Test cap on check valves
3. 360° turn valve cap (less check)



## 770 Series

FOR 5/8", 5/8" X 3/4", 3/4", OR 1" METERS

Horizontal "L" Style, Multiple Combinations



To order 770 Series Model No. **770-2--QNDD 33** above means:

770	-	2	--	INLET OUTLET QN	INLET OUTLET DD		33
Series	Style  = Standard	Meter Size	Meter Height	Inlet and Outlet Valves	Type of connection Inlet and Outlet	Blank Space	Size Inlet & Outlet
		1 = 5/8" 2 = 5/8" x 3/4" 3 = 3/4" 4 = 1"		<b>Saddle Nut</b> <b>C</b> = 3/4" & 1" Port Angle Single Check Valve <b>D</b> = 3/4" Port Angle Dual Check Valve (ASSE 1024) <b>L</b> = Angle Lockwing Plug Valve <b>J</b> = 3/4" & 1" Port Angle Lockwing Ball Valve <b>M</b> = 1" Port Angle Dual Check Valve (ASSE 1024) <b>W</b> = Standard Port Angle Lockwing Ball Valve <b>X</b> = Flanged Tubing with Meter Nut For other special meter connections, contact factory.	 <b>5/8", 5/8" x 3/4", 3/4" Meters</b> <b>Inlet &amp; Outlet Connections</b> <b>C</b> = Copper Flare Union (3/4" Integral or 1" Union) <b>D</b> = Double Purpose Union (Flare or FNPT) (3/4") <b>F</b> = FNPT Union (1/2" or 1") <b>G</b> = "G" CTS McGrip Integral (3/4") <b>H</b> = "H" CTS PE Handyloc Integral (3/4") <b>M</b> = MNPT Union (3/4", 1") <b>P</b> = MNPT Integral <b>Q</b> = "Q" CTS McQuik Integral (3/4") <b>S</b> = Solder Union (3/4" or 1") <b>T</b> = "T" CTS Integral (3/4" or 1" union) <b>2</b> = "-22" CTS MacPak Integral (3/4" or 1" union) <b>3</b> = "-33" PEP MacPak Union (3/4") <b>4</b> = "-44" PVC MacPak Union (3/4") <b>5</b> = "-55" IP MacPak Union (3/4")		3 = 3/4" 4 = 1"
				<b>Less Saddle Nut</b> <b>A</b> = 3/4" & 1" Port Angle Single Check Valve <b>F</b> = 3/4" Port Angle Dual Check Valve (ASSE 1024) <b>G</b> = Angle Lockwing Plug Valve <b>K</b> = 3/4" & 1" Port Angle Lockwing Ball Valve <b>N</b> = Flanged Tubing with Meter Nut <b>P</b> = 1" Port Angle Dual Check Valve (ASSE 1024) <b>Q</b> = Standard Port Angle Lockwing Ball Valve <b>Z</b> = Brass Elbow <b>NOTE:</b> Unless specified all tandem components have meter nuts without support lip.	<b>1" Meters</b> <b>Inlet &amp; Outlet Connections</b> <b>C</b> = Copper Flare Integral (1") <b>D</b> = Double Purpose Union (Flare or FNPT) (1") <b>G</b> = "G" CTS McGrip Integral (1") <b>H</b> = "H" CTS PE Handyloc Integral (1") <b>M</b> = MNPT Union (1" or 1 1/4") <b>P</b> = MNPT Integral <b>Q</b> = "Q" CTS McQuik Integral (1") <b>S</b> = Solder Union <b>T</b> = "T" CTS Integral (1") <b>2</b> = "-22" CTS MacPak Integral (1")		

### OPTIONS

- Assemblies shipped with two 1/8" EPDM rubber meter gaskets.
- Insert stiffeners are required on all flexible plastic connections.
- **Not all combinations available, contact factory with your requirements.**
- **MOST METER SETTERS ARE MADE TO ORDER AND ARE NOT RETURNABLE.**
- Please verify with the factory that the model number you have configured is available and meets your requirements.



## 770 Series

FOR 5/8", 5/8" X 3/4", 3/4", OR 1" METERS

Horizontal "L" Style, Multiple Combinations



Model 770-2--QNDD 33

Part No.	5/8" Meter Size	Carton PCS/WT	Price	Part No.	5/8" x 3/4" Meter Size	Carton PCS/WT	Price
5170-128	770-1--QNDD 33	6/27	\$227.70	5170-025	770-2--QNDD 33	6/33	\$234.37

Part No.	3/4" Meter Size	Carton PCS/WT	Price	Part No.	1" Meter Size	Carton PCS/WT	Price
5170-224	770-3--QNDD 33	6/36	\$250.96	5170-197	770-4--QNDD 44	3/24	\$442.47

### Inlet/Outlet Option Adders (Price per end):

5/8", 5/8" x 3/4", or 3/4" Meters

Option	Size	List	Size	List
C - Copper flare 3/4" Integral or 1" union	3/4"	\$26.86	1"	\$48.33
D - Double Purpose (Flare or FNPT)	3/4"	N/C		
F - FNPT union	1/2"	\$13.93	1"	\$12.52
G - "G" CTS 3/4" Integral	3/4"	\$19.17		
M - MNPT union	3/4"	N/C	1"	\$12.52
P - MNPT Integral	3/4"	-\$7.91		
Q - "Q" CTS	3/4"	\$19.17		
S - Solder union	3/4"	N/C	1"	\$6.51
T - "T" CTS 3/4" Integral / 1" union	3/4"	\$19.17	1"	\$43.11
2 - "-22" CTS 3/4" Integral / 1" union	3/4"	\$19.17	1"	\$43.11
3 - "-33" PEP union	3/4"	\$55.37		
4 - "-44" PVC union	3/4"	\$55.37		
5 - "-55" IP union	3/4"	\$55.37		

### Inlet/Outlet Option Adders (Price per end):

1" Meters

Option	Size	List
C - Copper flare Integral	1"	N/C
D - Double Purpose (Flare or FNPT)	1"	N/C
G - "G" CTS Integral	1"	N/C
H - "H" CTS Handylock Integral	1"	\$5.50
P - MNPT Integral	1"	N/C
S - Solder union	1"	N/C
2 - "-22" CTS Integral	1"	N/C
T - Integral	1"	N/C
Q - Integral	1"	N/C
M - MNPT union	1"	N/C

### Single Setter (with Saddle Nut)

Options - add or subtract from base setter model		1	2	3	4
		5/8"	5/8" x 3/4"	3/4"	1"
Standard Ball Valve	W	\$83.78	\$83.78	\$83.78	\$168.10
Full Port Ball Valve	J	\$152.98	\$152.98	\$152.98	\$230.45
Plug Valve	L	\$68.94	\$68.94	\$68.94	\$105.69
Single Check Valve	C	\$76.06	\$76.06	\$76.06	\$91.41
Dual Check - ASSE - Standard	D	\$153.13	\$153.13	\$153.13	\$145.22
Dual Check - Cartridge	D* x 995	See "D" above	See "D" above	See "D" above	See "D" above
Dual Check - Cascading	D* x 992	\$139.73	\$139.73	\$139.73	\$145.23
Dual Check - ASSE - Full Port	M	See "D" above	See "D" above	See "D" above	\$265.79
Meter Swivel Nut	X	N/C	N/C	N/C	N/C

### Tandem Setter (less Saddle Nut)

Options - add or subtract from base setter model		1	2	3	4
		5/8"	5/8" x 3/4"	3/4"	1"
Standard Ball Valve	Q	\$83.78	\$83.78	\$83.78	\$168.10
Full Port Ball Valve	K	\$152.98	\$152.98	\$152.98	\$230.45
Plug Valve	G	\$68.94	\$68.94	\$68.94	\$105.69
Single Check Valve	A	\$76.06	\$76.06	\$76.06	\$91.41
Dual Check - ASSE - Standard	F	\$153.13	\$153.13	\$153.13	\$145.22
Dual Check - Cartridge	F* x 995	See "F" above	See "F" above	See "F" above	See "F" above
Dual Check - Cascading	F* x 992	\$139.73	\$139.73	\$139.73	\$145.23
Dual Check - ASSE - Full Port	P	See "F" above	See "F" above	See "F" above	\$265.79
Meter Swivel Nut	N	N/C	N/C	N/C	N/C

### Contact Factory for the following:

- Handles for ball valves
- Test cap on check valves
- 360° turn valve cap (less check)

**NOTES:** - Horizontal bracing eye, wire seal hole and locking are standard.  
- N/C = No additional charge.





## 770 Series

FOR 5/8", 5/8" X 3/4", OR 3/4" METERS

Adjustable Height

A.Y. McDonald now offers an adjustable height meter setter. Adjustable 5/8", 5/8" x 3/4", or 3/4" meter setters are available with all standard inlet/outlet valves and meter nut options. Inlet and outlet end connections include 3/4" CTS, MNPT Union or Integral, Double Purpose (FNPT/Flare), Flare 1" CTS Union. Height can be field adjusted from 9" to 12" on one model and 18" to 30" on another model. Use adjustable meter setters for setting 5/8", 5/8" x 3/4", or 3/4" meters in meter pits. Allows user to stock one setter for various bury depths. Includes a rigid cross tube to keep the service in alignment. Note: not all valve/end connection combinations available, contact factory with your specific requirements.



To order 770 Series Model No. **770-2 09-13WDQQ 33** above means:

<b>770</b>	<b>-</b>	<b>2</b>	<b>09-13</b>	<b>WD</b>	<b>QQ</b>		<b>33</b>
Series	Style -- Standard	Meter Size 1 = 5/8" 2 = 5/8" x 3/4" 3 = 3/4"	Meter Height Range	Inlet and Outlet Valves INLET OUTLET	Type of connection INLET OUTLET Inlet and Outlet	Blank Space	Size Inlet & Outlet 3 = 3/4" 4 = 1"

Other heights available, contact factory

- C** = 3/4" Port Angle Single Check Valve
- D** = 3/4" Port Angle Dual Check Valve (ASSE 1024)
- L** = Angle Lockwing Plug Valve
- J** = 3/4" Port Angle Lockwing Ball Valve
- W** = Standard Port Angle Lockwing Ball Valve
- Z** = Brass Elbow

5/8", 5/8" x 3/4", 3/4" Meters

### Inlet & Outlet Connections

- C** = Copper Flare (3/4" Integral or 1" Union)
- D** = Double Purpose Union (Flare or FNPT) (3/4")
- F** = FNPT Union (1/2" or 1")
- G** = "G" CTS McGrip Integral (3/4")
- H** = "H" CTS PE Handyloc Integral (3/4")
- M** = MNPT Union (3/4", 1")
- Q** = "Q" CTS McQuik Integral (3/4")
- S** = Solder Union (3/4" or 1")
- T** = "T" CTS Integral (3/4" or 1" union)
- 2** = "-22" CTS MacPak Integral (3/4" or 1" union)
- 3** = "-33" PEP MacPak Union (3/4")
- 4** = "-44" PVC MacPak Union (3/4")
- 5** = "-55" IP MacPak Union (3/4")

### OPTIONS

- Assemblies shipped with two 1/8" EPDM rubber meter gaskets.
- Insert stiffeners are required on all flexible plastic connections.
- **Not all combinations available, contact factory with your requirements.**
- **MOST METER SETTERS ARE MADE TO ORDER AND ARE NOT RETURNABLE.**
- **Please verify with the factory that the model number you have configured is available and meets your requirements.**

Part No.	5/8" X 3/4" Meter Size	Carton PCS/WT	Price
5171-000	770-210-13WDDD 33	6/60	\$278.95
5171-002	770-210-14WZQQ 33	6/60	\$191.78
5171-010	770-212-17WD22 33	6/66	\$309.57
5171-008	770-215-23WDGG 33	5/55	\$337.54
5171-009	770-215-23WD22 33	5/60	\$337.54
5171-004	770-219-31WDDD 33	6/72	\$362.97
5171-005	770-219-31WD22 33	6/72	\$374.83
5171-012	770-219-31WDQD 33	6/72	\$374.83
5171-001	770-219-31WDQQ 33	6/72	\$374.83
5171-003	770-219-32WZQD 33	6/72	\$283.31





## 770 Series

FOR 5/8", 5/8" X 3/4", OR 3/4" METERS

Adjustable Height

A.Y. McDonald now offers an adjustable height meter setter. Adjustable 5/8", 5/8" x 3/4", or 3/4" meter setters are available with all standard inlet/outlet valves and meter nut options. Inlet and outlet end connections include 3/4" CTS, MNPT Union or Integral, Double Purpose (FNPT/Flare), Flare 1" CTS Union. Height can be field adjusted from 9" to 12" on one model and 18" to 30" on another model. Use adjustable meter setters for setting 5/8", 5/8" x 3/4", or 3/4" meters in meter pits. Allows user to stock one setter for various bury depths. Includes a rigid cross tube to keep the service in alignment. Note: not all valve/end connection combinations available, contact factory with your specific requirements.



Model 770-2 09-13WDQQ 33

### Inlet/Outlet Option Adders (Price per end):

5/8", 5/8" x 3/4", or 3/4" Meters

Option	Size	List	Size	List
C - Copper flare 3/4" Integral or 1" union	3/4"	\$26.86	1"	\$48.33
D - Double Purpose (Flare or FNPT)	3/4"	N/C		
F - FNPT union	1/2"	\$13.93	1"	\$12.52
G - "G" CTS Integral	3/4"	\$19.17		
M - MNPT union	3/4"	N/C	1"	\$12.52
P - MNPT Integral	3/4"	-\$7.91		
Q - "Q" CTS Integral	3/4"	\$19.17		
S - Solder union	3/4"	N/C	1"	\$6.51
T - "T" CTS 3/4" Integral or 1" union	3/4"	\$19.17	1"	\$43.11
2 - "-22" CTS 3/4" Integral or 1" union	3/4"	\$19.17	1"	\$43.11
3 - "-33" PEP union	3/4"	\$55.37		
4 - "-44" PVC union	3/4"	\$55.37		
5 - "-55" IP union	3/4"	\$55.37		

### Single Setter (less Saddle Nut)

Options - add or subtract from base setter model		1	2	3
		5/8"	5/8" x 3/4"	3/4"
Standard Ball Valve	W	\$83.78	\$83.78	\$83.78
Full Port Ball Valve	J	\$152.98	\$152.98	\$152.98
Plug Valve	L	\$68.94	\$68.94	\$68.94
Single Check Valve	C	\$76.06	\$76.06	\$76.06
Dual Check - ASSE	D	\$153.13	\$153.13	\$153.13
Dual Check - ASSE - Full Port	M	See "D" above	See "D" above	See "D" above
Dual Check - Cascading	D*	\$139.73	\$139.73	\$139.73
Meter Swivel Nut		N/C	N/C	N/C

### Contact Factory for the following:

1. Handles for ball valves
2. Test cap on check valves
3. 360° turn valve cap (less check)

- NOTES:**
- Horizontal bracing eye, wire seal hole and locking are standard.
  - N/C = No additional charge.





# 720 Series No-Rise

1 1/2" & 2" METERS

Horizontal Style, Multiple Options Inlet/Outlet



To order 720 Series: Model No. **720R600WWFP 666** above means:

<b>720</b>	<b>R</b>	<b>6</b>	<b>00</b>	<b>WW</b>	<b>FP</b>		<b>66</b>	<b>6</b>
Series	Style	Meter Size	Meter Height	Inlet and Outlet Valves	Type of connection Inlet and Outlet	Blank Space	Size Inlet & Outlet	Bypass Size
	R = Offset Right Bypass	6 = 1 1/2" 7 = 2"	00 = No Rise Standard				6 = 1 1/2" 7 = 2"	6 = 1 1/2" 7 = 2"

**Series 720**  
**B** = Full Port Inline Dual Check Valve (ASSE 1024)  
**W** = Full Port Lockwing Ball Valve  
**K** = Telescoping Meter Flange Valve

For other special meter connections, contact factory.

**F** = FNPT Integral  
**G** = "G" CTS McGrip Integral  
**P** = MNPT Integral  
**Q** = "Q" CTS McQuik Integral  
**T** = "T" CTS Integral  
**2** = "-22" CTS MacPak Integral

FNPT Inlet x FNPT Outlet

Part No.	Model	Meter & Service Size	Carton PCS/WT	Price
5143-299	720R600WWFF 666	1 1/2"	1/33	\$1,455.12
5143-256	720R700WWFF 777	2"	1/46	\$2,020.80

Description Meter Inlet & Outlet	Add or Subtract from Base Model Above	
	1 1/2"	2"
BALL VALVE <b>W</b>	\$301.02	\$308.41
DUAL CHECK <b>B</b>	\$443.03	\$322.15
TELESCOPING METER FLANGE BALL VALVE <b>K</b>	\$55.78	\$55.78

(one side only)

NOTE: ADD FOR EACH VALVE ADDED TO METER SETTER

Inlet / Outlet Option Adders (Price Per End)  
1 1/2" & 2" Meters

Options	Size	List	Size	List
F	1 1/2"	NC	2"	NC
G	1 1/2"	\$52.05	2"	\$111.98
P	1 1/2"	NC	2"	NC
Q	1 1/2"	\$52.05	2"	\$111.98
T	1 1/2"	\$52.05	2"	\$111.98
-22	1 1/2"	\$52.05	2"	\$111.98

Inline Dual Check in Bypass - adds ".7" to end of model number  
1 1/2" & 2" Meters

Options	Size	List	Options	Size	List
6	1 1/2"	\$487.22	7	2"	\$523.80

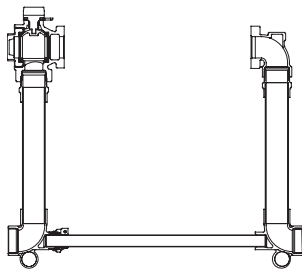
I.E. 720R700WWPP 777.7

## OPTIONS

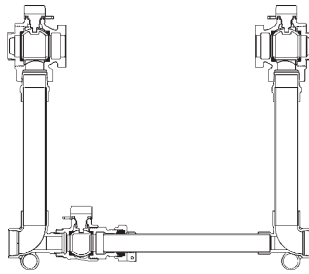
- For dual check in bypass, contact factory.
- Ball valve available with attached brass handle
- Standard flange to flange lay lengths available -  
Spacing - 13.25 = 1 1/2" Meter  
- 17.25 = 2" Meter
- Assemblies shipped with two 1/8" EPDM rubber meter gaskets, and meter support brackets (assembly required)
- **Not all combinations available, contact factory with your requirements.**
- **MOST METER SETTERS ARE MADE TO ORDER AND ARE NOT RETURNABLE.**
- **Please verify with the factory that the model number you have configured is available and meets your requirements.**



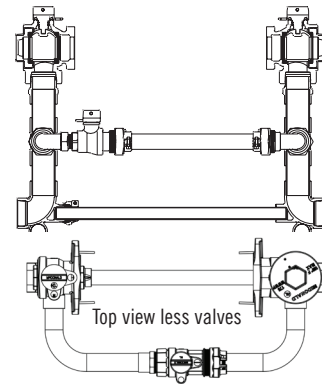
# Copper Meter Setters



No Bypass (-)



Low Bypass (B)



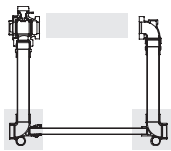
Offset High Bypass (R)

## How To Order: Model number 720-612WNFF 660 means...

A	B	A	C	D	A	Blank	A	B
<b>720</b>	<b>-</b>	<b>6</b>	<b>12</b>	<b>WN</b>	<b>FF</b>		<b>66</b>	<b>0</b>
<b>Series</b> 718, 720, 721, 722, 723, 724, 725, 726, 730, 731, 732, 739	<b>Bypass</b> - = Standard B = Low bypass R = High Right Offset Bypass	<b>Meter Size</b> 6 = 1 1/2" 7 = 2"	<b>Meter Height</b> 12 = 12" 15 = 15" 18 = 18" 21 = 21" 24 = 24" 27 = 27" <small>For additional Heights, Contact the Factory.</small>	<b>Service Inlet and Outlet connection</b> F = FNPT Integral G = "G" CTS McGrip Integral Q = "Q" CTS McQuik Integral T = "T" CTS Integral. 2 = "22" CTS MacPak Integral		<b>Service Inlet &amp; Outlet Size</b> 6 = 1 1/2" 7 = 2"	<b>Bypass Size</b> 0 = No bypass 5 = 1 1/4" - Standard 6 = 1 1/2" 7 = 2"	

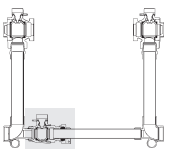
### Meter Inlet & Outlet

- D = Full Port Angle Dual Check Valve (ASSE 1024)
- E = Angle Dual Check Valve with 1" tap in cap with 1" NPT plug assembly
- F = Angle Dual Check Valve with 1 1/2" tap in cap with 1 1/2" NPT plug assembly
- G = Angle Dual Check Valve with 2" tap in cap with 2" NPT plug assembly
- N = Flanged elbow
- W = Full Port Angle Lockwing Ball Valve
- K = Telescoping Meter Flange Valve
- H = Confined Space Ball Valve



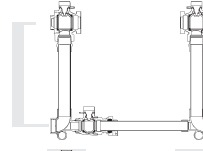
#### For A - Pick your:

- Series
- Meter Size
- Service Inlet and Outlet Connection
- Service Inlet & Outlet Size
- Tandem Series



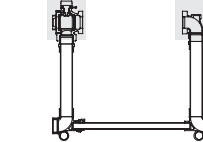
#### For B - Choose Your By-Pass

- Bypass
- Bypass Size
- Note: Meter Setters with Flanged Elbows are not available with a By-Pass



#### For C - Choose Your Meter Setter Height

- Meter Height



#### For D - Choose Your Meter Valves

- Meter Inlet & Outlet

- Not all combinations available. Contact factory.

\*Insert stiffeners are **required** on all flexible plastic connections.

**\*\* NON-STOCK ITEM. CONTACT FACTORY FOR MINIMUM ORDER QTYS & DELIVERY (components to assemble may be stock items) Contact Factory.**



# 720 Horizontal Series

1 1/2" & 2" METERS

Horizontal Style, FNPT Inlet and Outlet

Assemblies shipped with two 1/8" EPDM rubber meter gaskets, and meter support brackets (assembly required)



To order 720 Series: Model No. **720-612WNFF 660** above means:

<b>720</b>	<b>-</b>	<b>6</b>	<b>12</b>
Series	Style	Meter Size	Meter Height
	- = No Bypass B = Low Bypass *R = High Right Offset Bypass * = minimal height All setter with bypass require outlet valve	6 = 1 1/2" 7 = 2"	*12 = 12" 15 = 15" 18 = 18" 21 = 21" 24 = 24" 27 = 27" Additional heights available, contact factory

<b>WN</b>	<b>FF</b>		<b>66</b>	<b>0</b>
Inlet and Outlet Valves	Type of connection Inlet and Outlet	Blank Space	Size Inlet & Outlet	Bypass Size
D = Full Port Angle Dual Check Valve (ASSE 1024) N = Flanged Elbow W = Full Port Angle Lockwing Ball Valve K = Telescoping Meter Flange Valve H = Confined Space Ball Valve	F = FNPT Integral		6 = 1 1/2" 7 = 2"	0 = No Bypass 5 = 1 1/4" 6 = 1 1/2" 7 = 2" - Contact Factory

For other special meter connections, contact factory.

For Tandem Series

750 Series Horizontal Tandem Setter



Example 750-618WNFF 660 x Length Device  
Tandem setters are supplied with flange adapters and Flange x Flange "S" tube. Please specify device length and threads when ordering.

Tandem "S" Tubes are oval flange x oval flange & supplied with 7610m's

FNPT Inlet x FNPT Outlet

Part No.	Model	Meter & Service Size	Carton PCS/WT	Price
5136-261	720-612WNFF 660	1 1/2"	1/26	\$1,601.76
5136-201	720-712WNFF 770	2"	1/40	\$1,841.35

ADDER FOR TANDEM SETTER (IF APPLICABLE)  
CHANGE 720 TO 750 SERIES

	1 1/2"	2"
TANDEM SETTER .....	\$1,021.96	\$1,073.12

NOTE: METER SETTERS WITH FLANGED ELBOWS ARE NOT AVAILABLE WITH A BYPASS

Model Description	Size	List Price Adder		Height	List Price Adder		Description Meter Inlet & Outlet	List Price Adder	
		1 1/2"	2"		1 1/2"	2"		1 1/2"	2"
NO BYPASS	N/A	\$0.00	\$0.00	12"	\$0.00	\$0.00	BALL VALVE	W	\$301.02 \$308.41
*LOW INLINE BYPASS	1 1/4"	\$157.36	\$157.36	15"	\$53.08	\$73.51	DUAL CHECK	D	\$443.03 \$322.15
LOW INLINE BYPASS	1 1/2"	\$477.01	\$477.01	18"	\$106.16	\$147.02	TELESCOPING METER	K	\$55.78 \$55.78
LOW INLINE BYPASS	2"	N/A	\$634.38	21"	\$159.25	\$220.51	FLANGE BALL VALVE		(one side only)
*HIGH OFFSET BYPASS	1 1/4"	\$894.39	\$937.45	24"	\$212.34	\$294.00	CONFINED SPACE BALL VALVE	H	\$148.44 \$192.23
HIGH OFFSET BYPASS	1 1/2"	\$1,214.05	\$1,253.02	27"	\$265.42	\$367.52	FLANGE ELBOW	N	\$175.28 \$259.86

- Over 27" add \$53.08 for every 3" above 27" - 1 1/2" size  
- Over 27" add \$73.51 for every 3" above 27" - 2" size

NOTE: ADD FOR EACH VALVE ADDED TO METER SETTER

## OPTIONS

- \* **INLINE DUAL CHECK IN 1 1/4" BYPASS** add .4 to end of model number (Example: 720B721WDFF 775.4) ADD: \$418.12
- **HANDLE "W"** Ball Valve available with attached brass handle - change "W" to "V" in model number (Example: 720B721WVFF 775) ADDER: \$23.37
- **SPECIAL LAY LENGTH** available from flange to flange adds to end of model number (Example: 720B730WDFF 775x13.25) CONTACT FACTORY
- **TAPPED CAP** in angle dual check available with 1", 1 1/2" or 2" tap in cap - with or without plug.
- Not all combinations available, contact factory with your requirements.
- MOST METER SETTERS ARE MADE TO ORDER AND ARE NOT RETURNABLE.
- Please verify with the factory that the model number you have configured is available and meets your requirements.

## ADDERS

For tap with square head plug	
1"	\$52.45
1 1/2"	\$85.77
2"	\$99.00
Without plug: \$26.90	



## 721 Horizontal Series

1 1/2" & 2" METERS

Horizontal Style, Integral G, Q, & T CTS Compression Inlet and Outlet

Assemblies shipped with two 1/8" EPDM rubber meter gaskets, and meter support brackets (assembly required)



To order 721 Series: Model No. **721-612WNTT 660** above means:

<b>721</b>	<b>-</b>	<b>6</b>	<b>12</b>	<b>WN</b>	<b>TT</b>		<b>66</b>	<b>0</b>
Series	Style	Meter Size	Meter Height	Inlet and Outlet Valves	Type of connection Inlet and Outlet	Blank Space	Size Inlet & Outlet	Bypass Size
	- = No Bypass B = Low Bypass *R = High Right Offset Bypass * = minimal height All setter with bypass require outlet valve	6 = 1 1/2" 7 = 2"	*12 = 12" 15 = 15" 18 = 18" 21 = 21" 24 = 24" 27 = 27" Additional heights available, contact factory	D = Full Port Angle Dual Check Valve (ASSE 1024) N = Flanged Elbow W = Full Port Angle Lockwing Ball Valve K = Telescoping Meter Flange Valve H = Confined Space Ball Valve	G = "G" CTS McGrip Integral Q = "Q" CTS McQuik Integral T = "T" CTS Integral		6 = 1 1/2" 7 = 2"	0 = No Bypass 5 = 1 1/4" 6 = 1 1/2" 7 = 2" contact factory

For Tandem Series

751 Series Horizontal Tandem Setter



**Example 751-618WNTT 660 x Length Device**  
Tandem setters are supplied with flange adapters and Flange x Flange "S" tube required. Please specify device length and threads when ordering.

Tandem "S" Tubes are oval flange x oval flange & supplied with 7610m's

For other special meter connections, contact factory.

Compression Inlet x Integral Compression Outlet

Part No.	Model	Meter & Service Size	Carton PCS/WT	Price
	721-612WNGG 660	1 1/2"	1/25	\$1,705.83
	721-712WNGG 770	2"	1/40	\$2,065.28
	721-612WNQQ 660	1 1/2"	1/25	\$1,705.83
5158-250	721-712WNQQ 770	2"	1/40	\$2,065.28
	721-612WNTT 660	1 1/2"	1/25	\$1,705.83
	721-712WNTT 770	2"	1/40	\$2,065.28

**ADDER FOR TANDEM SETTER (IF APPLICABLE)**

CHANGE 721 TO 751 SERIES

	1 1/2"	2"
TANDEM SETTER .....	\$1,021.96	\$1,073.12

**NOTE: METER SETTERS WITH FLANGED ELBOWS ARE NOT AVAILABLE WITH A BYPASS**

Model Description	Size	List Price Adder		Height	List Price Adder		Description Meter Inlet & Outlet	List Price Adder	
		1 1/2"	2"		1 1/2"	2"		1 1/2"	2"
NO BYPASS	N/A	\$0.00	\$0.00	12"	\$0.00	\$0.00	BALL VALVE	W	\$301.02 \$308.41
*LOW INLINE BYPASS	1 1/4"	\$157.36	\$157.36	15"	\$53.08	\$73.51	DUAL CHECK	D	\$443.03 \$322.15
LOW INLINE BYPASS	1 1/2"	\$477.01	\$477.01	18"	\$106.16	\$147.02	TELESCOPING METER FLANGE BALL VALVE	K	\$55.78 \$55.78 (one side only)
LOW INLINE BYPASS	2"	N/A	\$634.38	21"	\$159.25	\$220.51	CONFINED SPACE BALL VALVE	H	\$148.44 \$192.23
*HIGH OFFSET BYPASS	1 1/4"	\$894.39	\$937.45	24"	\$212.34	\$294.00	FLANGE ELBOW	N	\$175.28 \$259.86
HIGH OFFSET BYPASS	1 1/2"	\$1,214.05	\$1,253.02	27"	\$265.42	\$367.52			

- Over 27" add \$53.08 for every 3" above 27" - 1 1/2" size  
- Over 27" add \$73.51 for every 3" above 27" - 2" size

NOTE: ADD FOR EACH VALVE ADDED TO METER SETTER

### OPTIONS

- \* **INLINE DUAL CHECK IN 1 1/4" BYPASS** add .4 to end of model number (Example: 721B721WDFF 775.4) ADD: \$418.12
- **HANDLE "W"** Ball Valve available with attached brass handle - change "W" to "V" in model number (Example: 720B721WVFF 775) ADDER: \$23.37
- **SPECIAL LAY LENGTH** available from flange to flange adds to end of model number (Example: 721B730WDFF 775x13.25) CONTACT FACTORY
- **TAPPED CAP** in angle dual check available with 1", 1 1/2" or 2" tap in cap - with or without plug.
- Not all combinations available, contact factory with your requirements.
- MOST METER SETTERS ARE MADE TO ORDER AND ARE NOT RETURNABLE.
- Please verify with the factory that the model number you have configured is available and meets your requirements.

### ADDERS

For tap with square head plug	
1"	\$52.45
1 1/2"	\$85.77
2"	\$99.00
Without plug: \$26.90	



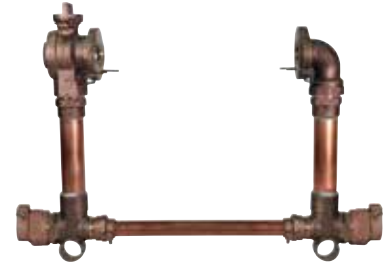


# 722 Horizontal Series

1 1/2" & 2" METERS

Horizontal Style, Integral -22 CTS Compression Inlet and Outlet

Assemblies shipped with two 1/8" EPDM rubber meter gaskets, and meter support brackets (assembly required)



To order 722 Series: Model No. **722-612WN22 660** above means:

<b>722</b>	<b>-</b>	<b>6</b>	<b>12</b>	<b>WN</b>	<b>22</b>		<b>66</b>	<b>0</b>
Series	Style	Meter Size	Meter Height	Inlet and Outlet Valves	Type of connection Inlet and Outlet	Blank Space	Size Inlet & Outlet	Bypass Size
	- = No Bypass B = Low Bypass *R = High Right Offset Bypass * = minimal height All setter with bypass require outlet valve	6 = 1 1/2" 7 = 2"	*12 = 12" 15 = 15" 18 = 18" 21 = 21" 24 = 24" 27 = 27" Additional heights available, contact factory	D = Full Port Angle Dual Check Valve (ASSE 1024) N = Flanged Elbow W = Full Port Angle Lockwing Ball Valve K = Telescoping Meter Flange Valve H = Confined Space Ball Valve			6 = 1 1/2" 7 = 2"	0 = No Bypass 5 = 1 1/4" 6 = 1 1/2" 7 = 2" contact factory

2 = "-22" CTS MacPak Compression Integral

**For Tandem Series**

752 Series Horizontal Tandem Setter



**Example 752-618WN22 660 x Length Device**  
Tandem setters are supplied with flange adapters and Flange x Flange "S" tube required. Please specify device length and threads when ordering.

Tandem "S" Tubes are oval flange x oval flange & supplied with 7610m's

For other special meter connections, contact factory.

**Mac Pak Compression Inlet x Mac Pak Compression Outlet**

Part No.	Model	Meter & Service Size	Carton PCS/WT	Price
	722-612WN22 660	1 1/2"	1/25	\$1,705.83
	722-712WN22 770	2"	1/40	\$2,065.28

**ADDER FOR TANDEM SETTER (IF APPLICABLE)**

CHANGE 722 TO 752 SERIES

	1 1/2"	2"
TANDEM SETTER .....	\$1,021.96	\$1,073.12

**NOTE: METER SETTERS WITH FLANGED ELBOWS ARE NOT AVAILABLE WITH A BYPASS**

Model Description	Size	List Price Adder		Height	List Price Adder		Description Meter Inlet & Outlet	List Price Adder	
		1 1/2"	2"		1 1/2"	2"		1 1/2"	2"
NO BYPASS	N/A	\$0.00	\$0.00	12"	\$0.00	\$0.00	BALL VALVE	W	\$301.02 \$308.41
*LOW INLINE BYPASS	1 1/4"	\$157.36	\$157.36	15"	\$53.08	\$73.51	DUAL CHECK	D	\$443.03 \$322.15
LOW INLINE BYPASS	1 1/2"	\$477.01	\$477.01	18"	\$106.16	\$147.02	TELESCOPING METER	K	\$55.78 \$55.78
LOW INLINE BYPASS	2"	N/A	\$634.38	21"	\$159.25	\$220.51	FLANGE BALL VALVE		(one side only)
*HIGH OFFSET BYPASS	1 1/4"	\$894.39	\$937.45	24"	\$212.34	\$294.00	CONFINED SPACE BALL VALVE	H	\$148.44 \$192.23
HIGH OFFSET BYPASS	1 1/2"	\$1,214.05	\$1,253.02	27"	\$265.42	\$367.52	FLANGE ELBOW	N	\$175.28 \$259.86

- Over 27" add \$53.08 for every 3" above 27" - 1 1/2" size  
- Over 27" add \$73.51 for every 3" above 27" - 2" size

NOTE: ADD FOR EACH VALVE ADDED TO METER SETTER

**OPTIONS**

- \* **INLINE DUAL CHECK IN 1 1/4" BYPASS** add .4 to end of model number (Example: 722B721WDF 775.4) ADD: \$418.12 CONTACT FACTORY
- **HANDLE "W"** Ball Valve available with attached brass handle - change "W" to "V" in model number (Example: 720B721WVFF 775) ADDER: \$23.37
- **SPECIAL LAY LENGTH** available from flange to flange adds to end of model number (Example: 722B730WDF 775x13.25) CONTACT FACTORY
- **TAPPED CAP** in angle dual check available with 1", 1 1/2" or 2" tap in cap - with or without plug.
- Not all combinations available, contact factory with your requirements.
- MOST METER SETTERS ARE MADE TO ORDER AND ARE NOT RETURNABLE.
- Please verify with the factory that the model number you have configured is available and meets your requirements.

**ADDERS**

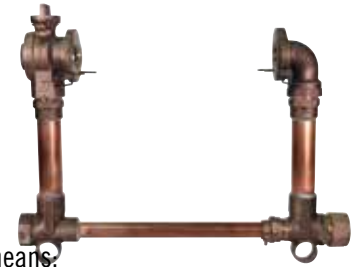
For tap with square head plug	
1"	\$52.45
1 1/2"	\$85.77
2"	\$99.00
Without plug: \$26.90	



## 723 Horizontal Series

1 1/2" & 2" METERS

Horizontal Style, FNPT Inlet and Integral G, Q, & T CTS Compression Outlet  
Assemblies shipped with two 1/8" EPDM rubber meter gaskets, and meter support brackets (assembly required)



To order 723 Series: Model No. **723-612WNFQ 660** above means:

<b>723</b>	<b>-</b>	<b>6</b>	<b>12</b>
Series	Style	Meter Size	Meter Height
	- = No Bypass B = Low Bypass *R = High Right Offset Bypass * = minimal height All setter with bypass require outlet valve	6 = 1 1/2" 7 = 2"	*12 = 12" 15 = 15" 18 = 18" 21 = 21" 24 = 24" 27 = 27" Additional heights available, contact factory

<b>WN</b>	<b>FQ</b>		<b>66</b>	<b>0</b>
Inlet and Outlet Valves	Type of connection Inlet and Outlet	Blank Space	Size Inlet & Outlet	Bypass Size
D = Full Port Angle Dual Check Valve (ASSE 1024) N = Flanged Elbow W = Full Port Angle Lockwing Ball Valve K = Telescoping Meter Flange Valve H = Confined Space Ball Valve			6 = 1 1/2" 7 = 2"	0 = No Bypass 5 = 1 1/4" 6 = 1 1/2" 7 = 2" contact factory
For other special meter connections, contact factory.		<b>Inlet Connections</b> F = FNPT Integral  <b>Outlet Connections</b> G = "G" CTS McGrip Integral Q = "Q" CTS McQuik Integral T = "T" CTS Integral		

For Tandem Series

753 Series Horizontal Tandem Setter



**Example 753-618WNFT 660 x Length Device**  
Tandem setters are supplied with flange adapters and Flange x Flange "S" tube required. Please specify device length and threads when ordering.

Tandem "S" Tubes are oval flange x oval flange & supplied with 7610m's

FNPT Inlet x Integral Compression Outlet

Part No.	Model	Meter & Service Size	Carton PCS/WT	Price
	723-612WNFG 660	1 1/2"	1/25	\$1,653.78
	723-712WNFG 770	2"	1/40	\$1,954.70
	723-612WNFQ 660	1 1/2"	1/25	\$1,653.78
	723-712WNFQ 770	2"	1/40	\$1,954.70
	723-612WNFT 660	1 1/2"	1/25	\$1,653.78
	723-712WNFT 770	2"	1/40	\$1,954.70

**ADDER FOR TANDEM SETTER (IF APPLICABLE)**

CHANGE 723 TO 753 SERIES

	1 1/2"	2"
TANDEM SETTER .....	\$1,021.96	\$1,073.12

**NOTE: METER SETTERS WITH FLANGED ELBOWS ARE NOT AVAILABLE WITH A BYPASS**

Model Description	Size	List Price Adder		Height	List Price Adder	
		1 1/2"	2"		1 1/2"	2"
NO BYPASS	N/A	\$0.00	\$0.00	12"	\$0.00	\$0.00
*LOW INLINE BYPASS	1 1/4"	\$157.36	\$157.36	15"	\$53.08	\$73.51
LOW INLINE BYPASS	1 1/2"	\$477.01	\$477.01	18"	\$106.16	\$147.02
LOW INLINE BYPASS	2"	N/A	\$634.38	21"	\$159.25	\$220.51
*HIGH OFFSET BYPASS	1 1/4"	\$894.39	\$937.45	24"	\$212.34	\$294.00
HIGH OFFSET BYPASS	1 1/2"	\$1,214.05	\$1,253.02	27"	\$265.42	\$367.52

- Over 27" add \$53.08 for every 3" above 27" - 1 1/2" size  
- Over 27" add \$73.51 for every 3" above 27" - 2" size

Description	Meter Inlet & Outlet	List Price Adder	
		1 1/2"	2"
BALL VALVE	W	\$301.02	\$308.41
DUAL CHECK	D	\$443.03	\$322.15
TELESCOPING METER FLANGE BALL VALVE	K	\$55.78	\$55.78
(one side only)			
CONFINED SPACE BALL VALVE	H	\$148.44	\$192.23
FLANGE ELBOW	N	\$175.28	\$259.86

**NOTE: ADD FOR EACH VALVE ADDED TO METER SETTER**

### OPTIONS

- \* **INLINE DUAL CHECK IN 1 1/4" BYPASS** add .4 to end of model number (Example: 723B721WDFF 775.4) ADD: \$418.12
- **HANDLE "W"** Ball Valve available with attached brass handle - change "W" to "V" in model number (Example: 720B721WVFF 775) ADDER: \$23.37
- **SPECIAL LAY LENGTH** available from flange to flange adds to end of model number (Example: 723B730WDFF 775x13.25) CONTACT FACTORY
- **TAPPED CAP** in angle dual check available with 1", 1 1/2" or 2" tap in cap - with or without plug.
- Not all combinations available, contact factory with your requirements.
- MOST METER SETTERS ARE MADE TO ORDER AND ARE NOT RETURNABLE.
- Please verify with the factory that the model number you have configured is available and meets your requirements.

### ADDERS

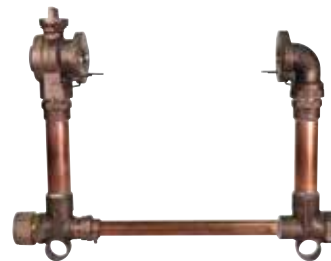
For tap with square head plug	
1"	\$52.45
1 1/2"	\$85.77
2"	\$99.00
Without plug: \$26.90	



# 724 Horizontal Series

## 1 1/2" & 2" METERS

Horizontal Style, Integral G, Q, & T CTS Compression Inlet and FNPT Outlet  
Assemblies shipped with two 1/8" EPDM rubber meter gaskets, and meter support brackets (assembly required)



To order 724 Series: Model No. **724-612WNQF 660** above means:

<b>724</b>	<b>-</b>	<b>6</b>	<b>12</b>	<b>WN</b>	<b>QF</b>		<b>66</b>	<b>0</b>
Series	Style	Meter Size	Meter Height	Inlet and Outlet Valves	Type of connection Inlet and Outlet	Blank Space	Size Inlet & Outlet	Bypass Size
	- = No Bypass B = Low Bypass *R = High Right Offset Bypass * = minimal height All setter with bypass require outlet valve	6 = 1 1/2" 7 = 2"	*12 = 12" 15 = 15" 18 = 18" 21 = 21" 24 = 24" 27 = 27" Additional heights available, contact factory	D = Full Port Angle Dual Check Valve (ASSE 1024) N = Flanged Elbow W = Full Port Angle Lockwing Ball Valve K = Telescoping Meter Flange Valve H = Confined Space Ball Valve			6 = 1 1/2" 7 = 2"	0 = No Bypass 5 = 1 1/4" 6 = 1 1/2" 7 = 2" <small>contact factory</small>
							<b>Inlet Connections</b> G = "G" CTS McGrip Integral Q = "Q" CTS McQuik Integral T = "T" CTS Integral	
							<b>Outlet Connections</b> F = FNPT Integral	

For Tandem Series

754 Series Horizontal Tandem Setter



**Example 754-618WNTF 660 x Length Device**  
Tandem setters are supplied with flange adapters and Flange x Flange "S" tube required. Please specify device length and threads when ordering.

Tandem "S" Tubes are oval flange x oval flange & supplied with 7610m's

For other special meter connections, contact factory.

Integral Compression Inlet x FNPT Outlet

Part No.	Model	Meter & Service Size	Carton PCS/WT	Price
	724-612WNGF 660	1 1/2"	1/25	\$1,653.78
	724-712WNGF 770	2"	1/40	\$1,954.70
5151-088	724-612WNQF 660	1 1/2"	1/25	\$1,653.78
	724-712WNQF 770	2"	1/40	\$1,954.70
	724-612WNTF 660	1 1/2"	1/25	\$1,653.78
	724-712WNTF 770	2"	1/40	\$1,954.70

ADDER FOR TANDEM SETTER (IF APPLICABLE)

CHANGE 724 TO 754 SERIES

	1 1/2"	2"
TTANDEM SETTER.....	\$1,021.96	\$1,073.12

**NOTE: METER SETTERS WITH FLANGED ELBOWS ARE NOT AVAILABLE WITH A BYPASS**

Model Description	Size	List Price Adder		Height	List Price Adder		Description Meter Inlet & Outlet	List Price Adder	
		1 1/2"	2"		1 1/2"	2"		1 1/2"	2"
NO BYPASS	N/A	\$0.00	\$0.00	12"	\$0.00	\$0.00	BALL VALVE	W	\$301.02 \$308.41
*LOW INLINE BYPASS	1 1/4"	\$157.36	\$157.36	15"	\$53.08	\$73.51	DUAL CHECK	D	\$443.03 \$322.15
LOW INLINE BYPASS	1 1/2"	\$477.01	\$477.01	18"	\$106.16	\$147.02	TELESCOPING METER	K	\$55.78 \$55.78
LOW INLINE BYPASS	2"	N/A	\$634.38	21"	\$159.25	\$220.51	FLANGE BALL VALVE		(one side only)
*HIGH OFFSET BYPASS	1 1/4"	\$894.39	\$937.45	24"	\$212.34	\$294.00	CONFINED SPACE BALL VALVE	H	\$148.44 \$192.23
HIGH OFFSET BYPASS	1 1/2"	\$1,214.05	\$1,253.02	27"	\$265.42	\$367.52	FLANGE ELBOW	N	\$175.28 \$259.86

- Over 27" add \$53.08 for every 3" above 27" - 1 1/2" size  
- Over 27" add \$73.51 for every 3" above 27" - 2" size

NOTE: ADD FOR EACH VALVE ADDED TO METER SETTER

**OPTIONS**

- \* **INLINE DUAL CHECK IN 1 1/4" BYPASS** add .4 to end of model number (Example: 724B721WDF 775.4) ADD: \$418.12 CONTACT FACTORY
- **HANDLE "W"** Ball Valve available with attached brass handle - change "W" to "V" in model number (Example: 720B721WVFF 775) ADDER: \$23.37
- **SPECIAL LAY LENGTH** available from flange to flange adds to end of model number (Example: 724B730WDF 775x13.25) CONTACT FACTORY
- **TAPPED CAP** in angle dual check available with 1", 1 1/2" or 2" tap in cap - with or without plug.
- Not all combinations available, contact factory with your requirements.
- MOST METER SETTERS ARE MADE TO ORDER AND ARE NOT RETURNABLE.
- Please verify with the factory that the model number you have configured is available and meets your requirements.

**ADDERS**

For tap with square head plug	
1"	\$52.45
1 1/2"	\$85.77
2"	\$99.00
Without plug: \$26.90	

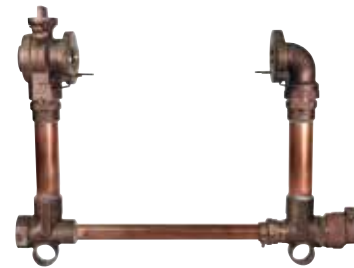


## 725 Horizontal Series

1 1/2" & 2" METERS

Horizontal Style, FNPT Inlet and Integral -22 CTS Compression Outlet

Assemblies shipped with two 1/8" EPDM rubber meter gaskets, and meter support brackets (assembly required)



To order 725 Series: Model No. **725-612WNF2 660** above means:

<b>725</b>	<b>-</b>	<b>6</b>	<b>12</b>	<b>WN</b>	<b>F2</b>		<b>66</b>	<b>0</b>
Series	Style	Meter Size	Meter Height	Inlet and Outlet Valves	Type of connection Inlet and Outlet	Blank Space	Size Inlet & Outlet	Bypass Size
	- = No Bypass B = Low Bypass *R = High Right Offset Bypass * = minimal height All setter with bypass require outlet valve	6 = 1 1/2" 7 = 2"	*12 = 12" 15 = 15" 18 = 18" 21 = 21" 24 = 24" 27 = 27" Additional heights available, contact factory	D = Full Port Angle Dual Check Valve (ASSE 1024) N = Flanged Elbow W = Full Port Angle Lockwing Ball Valve K = Telescoping Meter Flange Valve H = Confined Space Ball Valve			6 = 1 1/2" 7 = 2"	0 = No Bypass 5 = 1 1/4" 6 = 1 1/2" 7 = 2" - contact factory
				For other special meter connections, contact factory.				
				Inlet Connections F = FNPT Integral				
				Outlet Connections 2 = "-22" CTS MacPak Integral				

For Tandem Series

755 Series Horizontal Tandem Setter



Example 755-618WNF2 660 x Length Device  
Tandem setters are supplied with flange adapters and Flange x Flange "S" tube required. Please specify device length and threads when ordering.

Tandem "S" Tubes are oval flange x oval flange & supplied with 7610m's

FNPT Inlet x Mac Pak Compression Outlet

Part No.	Model	Meter & Service Size	Carton PCS/WT	Price
	725-612WNF2 660	1 1/2"	1/25	\$1,653.78
	725-712WNF2 770	2"	1/40	\$1,954.70

ADDER FOR TANDEM SETTER (IF APPLICABLE)

CHANGE 725 TO 755 SERIES

	1 1/2"	2"
TANDEM SETTER .....	\$1,021.96	\$1,073.12

**NOTE: METER SETTERS WITH FLANGED ELBOWS ARE NOT AVAILABLE WITH A BYPASS**

Model Description	Size	List Price Adder		Height	List Price Adder		Description Meter Inlet & Outlet	List Price Adder	
		1 1/2"	2"		1 1/2"	2"		1 1/2"	2"
NO BYPASS	N/A	\$0.00	\$0.00	12"	\$0.00	\$0.00	BALL VALVE	W	\$301.02 \$308.41
*LOW INLINE BYPASS	1 1/4"	\$157.36	\$157.36	15"	\$53.08	\$73.51	DUAL CHECK	D	\$443.03 \$322.15
LOW INLINE BYPASS	1 1/2"	\$477.01	\$477.01	18"	\$106.16	\$147.02	TELESCOPING METER		\$55.78 \$55.78
LOW INLINE BYPASS	2"	N/A	\$634.38	21"	\$159.25	\$220.51	FLANGE BALL VALVE	K	(one side only)
*HIGH OFFSET BYPASS	1 1/4"	\$894.39	\$937.45	24"	\$212.34	\$294.00	CONFINED SPACE BALL VALVE	H	\$148.44 \$192.23
HIGH OFFSET BYPASS	1 1/2"	\$1,214.05	\$1,253.02	27"	\$265.42	\$367.52	FLANGE ELBOW	N	\$175.28 \$259.86

- Over 27" add \$53.08 for every 3" above 27" - 1 1/2" size  
- Over 27" add \$73.51 for every 3" above 27" - 2" size

NOTE: ADD FOR EACH VALVE ADDED TO METER SETTER

### OPTIONS

- \* **INLINE DUAL CHECK IN 1 1/4" BYPASS** add .4 to end of model number (Example: 725B721WDFF 775.4) ADD: \$418.12
- **HANDLE "W"** Ball Valve available with attached brass handle - change "W" to "V" in model number (Example: 720B721WVFF 775) ADDER: \$23.37
- **SPECIAL LAY LENGTH** available from flange to flange adds to end of model number (Example: 725B730WDFF 775x13.25) CONTACT FACTORY
- **TAPPED CAP** in angle dual check available with 1", 1 1/2" or 2" tap in cap - with or without plug.
- Not all combinations available, contact factory with your requirements.
- MOST METER SETTERS ARE MADE TO ORDER AND ARE NOT RETURNABLE.
- Please verify with the factory that the model number you have configured is available and meets your requirements.

### ADDERS

For tap with square head plug	
1"	\$52.45
1 1/2"	\$85.77
2"	\$99.00
Without plug: \$26.90	

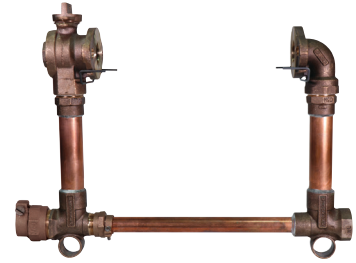


## 726 Series

### 1 1/2" & 2" METERS

Horizontal Style, Integral -22 CTS Compression Inlet and FNPT Outlet

Assemblies shipped with two 1/8" EPDM rubber meter gaskets, and meter support brackets (assembly required)



To order 726 Series: Model No. **726-612WN2F 660** above means:

<b>726</b>	<b>-</b>	<b>6</b>	<b>12</b>	<b>WN</b>	<b>2F</b>		<b>66</b>	<b>0</b>
Series	Style	Meter Size	Meter Height	Inlet and Outlet Valves	Type of connection Inlet and Outlet	Blank Space	Size Inlet & Outlet	Bypass Size
	- = No Bypass B = Low Bypass *R = High Right Offset Bypass * = minimal height All setter with bypass require outlet valve	6 = 1 1/2" 7 = 2"	*12 = 12" 15 = 15" 18 = 18" 21 = 21" 24 = 24" 27 = 27" Additional heights available, contact factory	D = Full Port Angle Dual Check Valve (ASSE 1024) N = Flanged Elbow W = Full Port Angle Lockwing Ball Valve K = Telescoping Meter Flange Valve H = Confined Space Ball Valve			6 = 1 1/2" 7 = 2"	0 = No Bypass 5 = 1 1/4" 6 = 1 1/2" 7 = 2" - contact factory

**Inlet Connections**  
2 = "-22" CTS MacPak Integral

**Outlet Connections**  
F = FNPT Integral

#### For Tandem Series

756 Series Horizontal Tandem Setter



**Example 756-618WN2F 660 x Length Device**  
Tandem setters are supplied with flange adapters and Flange x Flange "S" tube required. Please specify device length and threads when ordering.

Tandem "S" Tubes are oval flange x oval flange & supplied with 7610m's

#### FNPT Inlet x Mac Pak Compression Outlet

Part No.	Model	Meter & Service Size	Carton PCS/WT	Price
	726-612WN2F 660	1 1/2"	1/25	\$1,653.78
5151-112	726-712WN2F 770	2"	1/40	\$1,954.70

#### ADDER FOR TANDEM SETTER (IF APPLICABLE)

CHANGE 726 TO 756 SERIES

	1 1/2"	2"
TANDEM SETTER .....	\$1,021.96	\$1,073.12

**NOTE: METER SETTERS WITH FLANGED ELBOWS ARE NOT AVAILABLE WITH A BYPASS**

Model Description	Size	List Price Adder		Height	List Price Adder		Description Meter Inlet & Outlet	List Price Adder	
		1 1/2"	2"		1 1/2"	2"		1 1/2"	2"
NO BYPASS	N/A	\$0.00	\$0.00	12"	\$0.00	\$0.00	BALL VALVE	W	\$301.02 \$308.41
*LOW INLINE BYPASS	1 1/4"	\$157.36	\$157.36	15"	\$53.08	\$73.51	DUAL CHECK	D	\$443.03 \$322.15
LOW INLINE BYPASS	1 1/2"	\$477.01	\$477.01	18"	\$106.16	\$147.02	TELESCOPING METER	K	\$55.78 \$55.78
LOW INLINE BYPASS	2"	N/A	\$634.38	21"	\$159.25	\$220.51	FLANGE BALL VALVE		(one side only)
*HIGH OFFSET BYPASS	1 1/4"	\$894.39	\$937.45	24"	\$212.34	\$294.00	CONFINED SPACE BALL VALVE	H	\$148.44 \$192.23
HIGH OFFSET BYPASS	1 1/2"	\$1,214.05	\$1,253.02	27"	\$265.42	\$367.52	FLANGE ELBOW	N	\$175.28 \$259.86

- Over 27" add \$53.08 for every 3" above 27" - 1 1/2" size  
- Over 27" add \$73.51 for every 3" above 27" - 2" size

NOTE: ADD FOR EACH VALVE ADDED TO METER SETTER

#### OPTIONS

- \* **INLINE DUAL CHECK IN 1 1/4" BYPASS** add .4 to end of model number (Example: 726B721WDF 775.4) ADD: \$418.12
- **HANDLE "W"** Ball Valve available with attached brass handle - change "W" to "V" in model number (Example: 720B721WVFF 775) ADDER: \$23.37
- **SPECIAL LAY LENGTH** available from flange to flange adds to end of model number (Example: 726B730WDF 775x13.25) CONTACT FACTORY
- **TAPPED CAP** in angle dual check available with 1", 1 1/2" or 2" tap in cap - with or without plug.
- Not all combinations available, contact factory with your requirements.
- MOST METER SETTERS ARE MADE TO ORDER AND ARE NOT RETURNABLE.
- Please verify with the factory that the model number you have configured is available and meets your requirements.

#### ADDERS

For tap with square head plug	
1"	\$52.45
1 1/2"	\$85.77
2"	\$99.00
Without plug: \$26.90	



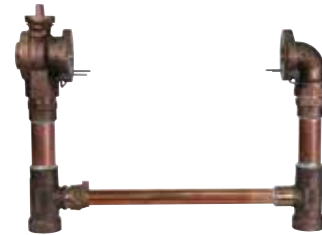


## 730 Series

1 1/2" & 2" METERS

Vertical Style, FNPT Inlet and Outlet

Assemblies shipped with two 1/8" EPDM rubber meter gaskets, and meter support brackets (assembly required)



To order 730 Series: Model No. **730-608WNFF 660** above means:

<b>730</b>	<b>-</b>	<b>6</b>	<b>08</b>	<b>WN</b>	<b>FF</b>		<b>66</b>	<b>0</b>
Series	Style	Meter Size	Meter Height	Inlet and Outlet Valves	Type of connection Inlet and Outlet	Blank Space	Size Inlet & Outlet	Bypass Size
	- = No Bypass B = Low Bypass *R = High Right Offset Bypass * = minimal height All setter with bypass require outlet valve	6 = 1 1/2" 7 = 2"	08 = 8" *12 = 12" 15 = 15" 18 = 18" 21 = 21" 24 = 24" 27 = 27" Additional heights available, contact factory	D = Full Port Angle Dual Check Valve (ASSE 1024) N = Flanged Elbow W = Full Port Angle Lockwing Ball Valve K = Telescoping Meter Flange Valve H = Confined Space Ball Valve	F = FNPT Integral		6 = 1 1/2" 7 = 2"	0 = No Bypass 5 = 1 1/4" 6 = 1 1/2" 7 = 2" - contact factory

For other special meter connections, contact factory.

FNPT Inlet x FNPT Outlet

Part No.	Model	Meter & Service Size	Carton PCS/WT	Price
5158-312	730-612WNFF 660	1 1/2"	1/25	\$1,601.76
	730-712WNFF 770	2"	1/40	\$1,839.98

For Tandem Series

Contact Factory



Tandem setters are supplied with flange adapters and Flange x Flange "S" tube required. Please specify device length and threads when ordering.

Tandem "S" Tubes are oval flange x oval flange & supplied with 7610m's

ADDER FOR TANDEM SETTER (IF APPLICABLE)

	1 1/2"	2"
TANDEM SETTER .....	\$1,021.96	\$1,073.12

**NOTE: METER SETTERS WITH FLANGED ELBOWS ARE NOT AVAILABLE WITH A BYPASS**

Model Description	Size	List Price Adder		Height	List Price Adder		Description Meter Inlet & Outlet	List Price Adder	
		1 1/2"	2"		1 1/2"	2"		1 1/2"	2"
NO BYPASS	N/A	\$0.00	\$0.00	12"	\$0.00	\$0.00	BALL VALVE	W	\$301.02 \$308.41
*LOW INLINE BYPASS	1 1/4"	\$157.36	\$157.36	15"	\$53.08	\$73.51	DUAL CHECK	D	\$443.03 \$322.15
LOW INLINE BYPASS	1 1/2"	\$477.01	\$477.01	18"	\$106.16	\$147.02	TELESCOPING METER FLANGE BALL VALVE	K	\$55.78 \$55.78 (one side only)
LOW INLINE BYPASS	2"	N/A	\$634.38	21"	\$159.25	\$220.51	CONFINED SPACE BALL VALVE	H	\$148.44 \$192.23
*HIGH OFFSET BYPASS	1 1/4"	\$894.39	\$937.45	24"	\$212.34	\$294.00	FLANGE ELBOW	N	\$175.28 \$259.86
HIGH OFFSET BYPASS	1 1/2"	\$1,214.05	\$1,253.02	27"	\$265.42	\$367.52			

- Over 27" add \$53.08 for every 3" above 27" - 1 1/2" size  
- Over 27" add \$73.51 for every 3" above 27" - 2" size

NOTE: ADD FOR EACH VALVE ADDED TO METER SETTER

### OPTIONS

\* **INLINE DUAL CHECK IN 1 1/4" BYPASS** add .4 to end of model number (Example: 730B721WDFF 775.4) ADD: \$418.12

- **HANDLE "W"** Ball Valve available with attached brass handle - change "W" to "V" in model number (Example: 720B721WVFF 775) ADDER: \$23.37

- **SPECIAL LAY LENGTH** available from flange to flange adds to end of model number (Example: 730B730WDFF 775x13.25) CONTACT FACTORY

- **TAPPED CAP** in angle dual check available with 1", 1 1/2" or 2" tap in cap - with or without plug.

- Not all combinations available, contact factory with your requirements.

- MOST METER SETTERS ARE MADE TO ORDER AND ARE NOT RETURNABLE.

- Please verify with the factory that the model number you have configured is available and meets your requirements.

### ADDERS

For tap with square head plug	
1"	\$52.45
1 1/2"	\$85.77
2"	\$99.00

Without plug: \$26.90

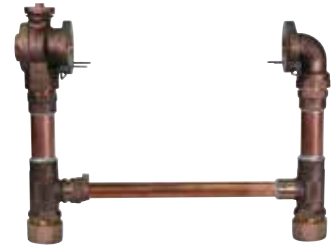




## 731 Series

1 1/2" & 2" METERS

Vertical Style, Integral G, Q, & T CTS Compression Inlet and Outlet  
Assemblies shipped with two 1/8" EPDM rubber meter gaskets, and meter support brackets (assembly required)



To order 731 Series: Model No. **731-608WNTT 660** above means:

<b>731</b>	<b>-</b>	<b>6</b>	<b>08</b>	<b>WN</b>	<b>TT</b>		<b>66</b>	<b>0</b>
Series	Style	Meter Size	Meter Height	Inlet and Outlet Valves	Type of connection Inlet and Outlet	Blank Space	Size Inlet & Outlet	Bypass Size
	- = No Bypass B = Low Bypass *R = High Right Offset Bypass * = minimal height All setter with bypass require outlet valve	6 = 1 1/2" 7 = 2"	08 = 8" *12 = 12" 15 = 15" 18 = 18" 21 = 21" 24 = 24" 27 = 27" Additional heights available, contact factory	D = Full Port Angle Dual Check Valve (ASSE 1024) N = Flanged Elbow W = Full Port Angle Lockwing Ball Valve K = Telescoping Meter Flange Valve H = Confined Space Ball Valve	G = "G" CTS McGrip Integral Q = "Q" CTS McQuick Integral T = "T" CTS Integral		6 = 1 1/2" 7 = 2"	0 = No Bypass 5 = 1 1/4" 6 = 1 1/2" 7 = 2" - contact factory

For Tandem Series

Contact Factory



Tandem setters are supplied with flange adapters and Flange x Flange "S" tube required. Please specify device length and threads when ordering.

Tandem "S" Tubes are oval flange x oval flange & supplied with 7610m's

For other special meter connections, contact factory.

Integral Compression Inlet x FNPT Outlet

Part No.	Model	Meter & Service Size	Carton PCS/WT	Price
	731-612WNGG 660	1 1/2"	1/25	\$1,705.83
	731-712WNGG 770	2"	1/40	\$2,065.31
	731-612WNQQ 660	1 1/2"	1/25	\$1,705.83
	731-712WNQQ 770	2"	1/40	\$2,065.31
	731-612WNNT 660	1 1/2"	1/25	\$1,705.83
	731-712WNNT 770	2"	1/40	\$2,065.31

ADDER FOR TANDEM SETTER (IF APPLICABLE)

	1 1/2"	2"
TANDEM SETTER .....	\$1,021.96	\$1,073.12

**NOTE: METER SETTERS WITH FLANGED ELBOWS ARE NOT AVAILABLE WITH A BYPASS**

Model Description	Size	List Price Adder		Height	List Price Adder		Description Meter Inlet & Outlet	List Price Adder	
		1 1/2"	2"		1 1/2"	2"		1 1/2"	2"
NO BYPASS	N/A	\$0.00	\$0.00	12"	\$0.00	\$0.00	BALL VALVE	W	\$301.02 \$308.41
*LOW INLINE BYPASS	1 1/4"	\$157.36	\$157.36	15"	\$53.08	\$73.51	DUAL CHECK	D	\$443.03 \$322.15
LOW INLINE BYPASS	1 1/2"	\$477.01	\$477.01	18"	\$106.16	\$147.02	TELESCOPING METER	K	\$55.78 \$55.78
LOW INLINE BYPASS	2"	N/A	\$634.38	21"	\$159.25	\$220.51	FLANGE BALL VALVE		(one side only)
*HIGH OFFSET BYPASS	1 1/4"	\$894.39	\$937.45	24"	\$212.34	\$294.00	CONFINED SPACE BALL VALVE	H	\$148.44 \$192.23
HIGH OFFSET BYPASS	1 1/2"	\$1,214.05	\$1,253.02	27"	\$265.42	\$367.52	FLANGE ELBOW	N	\$175.28 \$259.86

- Over 27" add \$53.08 for every 3" above 27" - 1 1/2" size  
- Over 27" add \$73.51 for every 3" above 27" - 2" size

NOTE: ADD FOR EACH VALVE ADDED TO METER SETTER

### OPTIONS

- \* **INLINE DUAL CHECK IN 1 1/4" BYPASS** add .4 to end of model number (Example: 731B721WDF 775.4) ADD: \$418.12
- **HANDLE "W"** Ball Valve available with attached brass handle - change "W" to "V" in model number (Example: 720B721WVFF 775) ADDER: \$23.37
- **SPECIAL LAY LENGTH** available from flange to flange adds to end of model number (Example: 731B730WDF 775x13.25) CONTACT FACTORY
- **TAPPED CAP** in angle dual check available with 1", 1 1/2" or 2" tap in cap - with or without plug.
- Not all combinations available, contact factory with your requirements.
- MOST METER SETTERS ARE MADE TO ORDER AND ARE NOT RETURNABLE.
- Please verify with the factory that the model number you have configured is available and meets your requirements.

### ADDERS

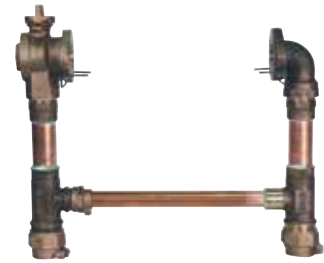
For tap with square head plug	
1"	\$52.45
1 1/2"	\$85.77
2"	\$99.00
Without plug: \$26.90	



## 732 Series

### 1 1/2" & 2" METERS

Vertical Style, Integral -22 CTS Compression Inlet and Outlet  
Assemblies shipped with two 1/8" EPDM rubber meter gaskets, and meter support brackets (assembly required)



To order 732 Series: Model No. **732-608WN22 660** above means:

<b>732</b>	<b>-</b>	<b>6</b>	<b>08</b>	<b>WN</b>	<b>22</b>		<b>66</b>	<b>0</b>
Series	Style	Meter Size	Meter Height	Inlet and Outlet Valves	Type of connection Inlet and Outlet	Blank Space	Size Inlet & Outlet	Bypass Size
	- = No Bypass B = Low Bypass *R = High Right Offset Bypass * = minimal height All setter with bypass require outlet valve	6 = 1 1/2" 7 = 2"	08 = 8" *12 = 12" 15 = 15" 18 = 18" 21 = 21" 24 = 24" 27 = 27" Additional heights available, contact factory	D = Full Port Angle Dual Check Valve (ASSE 1024) N = Flanged Elbow W = Full Port Angle Lockwing Ball Valve K = Telescoping Meter Flange Valve H = Confined Space Ball Valve			6 = 1 1/2" 7 = 2"	0 = No Bypass 5 = 1 1/4" 6 = 1 1/2" 7 = 2" - contact factory
						2 = "-22" CTS MacPak Integral		

For other special meter connections, contact factory.

For Tandem Series

Contact Factory



Tandem setters are supplied with flange adapters and Flange x Flange "S" tube required. Please specify device length and threads when ordering.

Tandem "S" Tubes are oval flange x oval flange & supplied with 7610m's

Mac Pak Compression Inlet x Mac Pak Compression Outlet

Part No.	Model	Meter & Service Size	Carton PCS/WT	Price
5145-232	732-612WN22 660	1 1/2"	1/29	\$1,705.83
	732-712WN22 770	2"	1/40	\$2,065.31

ADDER FOR TANDEM SETTER (IF APPLICABLE)

	1 1/2"	2"
TANDEM SETTER .....	\$1,021.96	\$1,073.12

**NOTE: METER SETTERS WITH FLANGED ELBOWS ARE NOT AVAILABLE WITH A BYPASS**

Model Description	Size	List Price Adder		Height	List Price Adder	
		1 1/2"	2"		1 1/2"	2"
NO BYPASS	N/A	\$0.00	\$0.00	12"	\$0.00	\$0.00
*LOW INLINE BYPASS	1 1/4"	\$157.36	\$157.36	15"	\$53.08	\$73.51
LOW INLINE BYPASS	1 1/2"	\$477.01	\$477.01	18"	\$106.16	\$147.02
LOW INLINE BYPASS	2"	N/A	\$634.38	21"	\$159.25	\$220.51
*HIGH OFFSET BYPASS	1 1/4"	\$894.39	\$937.45	24"	\$212.34	\$294.00
HIGH OFFSET BYPASS	1 1/2"	\$1,214.05	\$1,253.02	27"	\$265.42	\$367.52

- Over 27" add \$53.08 for every 3" above 27" - 1 1/2" size  
- Over 27" add \$73.51 for every 3" above 27" - 2" size

NOTE: ADD FOR EACH VALVE ADDED TO METER SETTER

### OPTIONS

- \* **INLINE DUAL CHECK IN 1 1/4" BYPASS** add .4 to end of model number (Example: 732B721WDFF 775.4) ADD: \$418.12
- **HANDLE "W"** Ball Valve available with attached brass handle - change "W" to "V" in model number (Example: 720B721WVFF 775) ADDER: \$23.37
- **SPECIAL LAY LENGTH** available from flange to flange adds to end of model number (Example: 732B730WDFF 775x13.25) CONTACT FACTORY
- **TAPPED CAP** in angle dual check available with 1", 1 1/2" or 2" tap in cap - with or without plug.
- Not all combinations available, contact factory with your requirements.
- MOST METER SETTERS ARE MADE TO ORDER AND ARE NOT RETURNABLE.
- Please verify with the factory that the model number you have configured is available and meets your requirements.

### ADDERS

For tap with square head plug	
1"	\$52.45
1 1/2"	\$85.77
2"	\$99.00
Without plug: \$26.90	

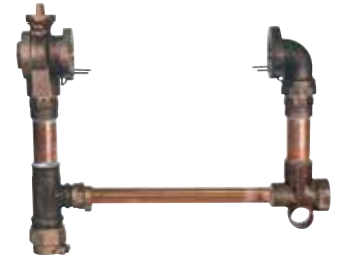


## 739 Series

1 1/2" & 2" METERS

Vertical/Horizontal Style

Assemblies shipped with two 1/8" EPDM rubber meter gaskets, and meter support brackets (assembly required)



To order 739 Series: Model No. **739-608WN2F 660** above means:

<b>739</b>	<b>-</b>	<b>6</b>	<b>08</b>	<b>WN</b>	<b>2F</b>		<b>66</b>	<b>0</b>
Series	Style	Meter Size	Meter Height	Inlet and Outlet Valves	Type of connection Inlet and Outlet	Blank Space	Size Inlet & Outlet	Bypass Size
	- = No Bypass B = Low Bypass *R = High Right Offset Bypass * = minimal height All setter with bypass require outlet valve	6 = 1 1/2" 7 = 2"	08 = 8" *12 = 12" 15 = 15" 18 = 18" 21 = 21" 24 = 24" 27 = 27" Additional heights available, contact factory	D = Full Port Angle Dual Check Valve (ASSE 1024) N = Flanged Elbow W = Full Port Angle Lockwing Ball Valve K = Telescoping Meter Flange Valve H = Confined Space Ball Valve	F = FNPT Integral G = "G" CTS McGrip Integral Q = "Q" CTS McQuick Integral T = "T" CTS Integral 2 = "-22" CTS MacPak Integral		6 = 1 1/2" 7 = 2"	0 = No Bypass 5 = 1 1/4" 6 = 1 1/2" 7 = 2" - contact factory

For other special meter connections, contact factory.

### For Tandem Series

Contact Factory



Tandem setters are supplied with flange adapters and Flange x Flange "S" tube required. Please specify device length and threads when ordering.

Tandem "S" Tubes are oval flange x oval flange & supplied with 7610m's

### FNPT Inlet x Integral Compression Outlet

Part No.	Model	Meter & Service Size	Carton PCS/WT	Price
	739-612WNFF 660	1 1/2"	1/25	\$1,601.76
	739-712WNFF 770	2"	1/40	\$1,841.34
	739-612WN22 660	1 1/2"	1/25	\$1,601.76
	739-712WN22 770	2"	1/40	\$1,841.34
	739-612WNGG 660	1 1/2"	1/25	\$1,705.83
	739-712WNGG 770	2"	1/40	\$2,065.31
	739-612WNQQ 660	1 1/2"	1/25	\$1,705.83
	739-712WNQQ 770	2"	1/40	\$2,065.31
	739-612WNTT 660	1 1/2"	1/25	\$1,705.83
	739-712WNTT 770	2"	1/40	\$2,065.31

### ADDER FOR TANDEM SETTER (IF APPLICABLE)

	1 1/2"	2"
TANDEM SETTER .....	\$1,021.96	\$1,073.12

**NOTE: METER SETTERS WITH FLANGED ELBOWS ARE NOT AVAILABLE WITH A BYPASS**

Model Description	Size	List Price Adder		Height	List Price Adder		Description Meter Inlet & Outlet	List Price Adder	
		1 1/2"	2"		1 1/2"	2"		1 1/2"	2"
NO BYPASS	N/A	\$0.00	\$0.00	12"	\$0.00	\$0.00	BALL VALVE	W	\$301.02 \$308.41
*LOW INLINE BYPASS	1 1/4"	\$157.36	\$157.36	15"	\$53.08	\$73.51	DUAL CHECK	D	\$443.03 \$322.15
LOW INLINE BYPASS	1 1/2"	\$477.01	\$477.01	18"	\$106.16	\$147.02	TELESCOPING METER	K	\$55.78 \$55.78
LOW INLINE BYPASS	2"	N/A	\$634.38	21"	\$159.25	\$220.51	FLANGE BALL VALVE		(one side only)
*HIGH OFFSET BYPASS	1 1/4"	\$894.39	\$937.45	24"	\$212.34	\$294.00	CONFINED SPACE BALL VALVE	H	\$148.44 \$192.23
HIGH OFFSET BYPASS	1 1/2"	\$1,214.05	\$1,253.02	27"	\$265.42	\$367.52	FLANGE ELBOW	N	\$175.28 \$259.86

- Over 27" add \$53.08 for every 3" above 27" - 1 1/2" size  
- Over 27" add \$73.51 for every 3" above 27" - 2" size

NOTE: ADD FOR EACH VALVE ADDED TO METER SETTER

### OPTIONS

- \* **INLINE DUAL CHECK IN 1 1/4" BYPASS** add .4 to end of model number (Example: 739B721WDF 775.4) ADD: \$418.12
- **HANDLE "W"** Ball Valve available with attached brass handle - change "W" to "V" in model number (Example: 720B721WDF 775) ADDER: \$23.37
- **SPECIAL LAY LENGTH** available from flange to flange adds to end of model number (Example: 739B730WDF 775x13.25) CONTACT FACTORY
- **TAPPED CAP** in angle dual check available with 1", 1 1/2" or 2" tap in cap - with or without plug.
- Not all combinations available, contact factory with your requirements.
- MOST METER SETTERS ARE MADE TO ORDER AND ARE NOT RETURNABLE.
- Please verify with the factory that the model number you have configured is available and meets your requirements.

### ADDERS

For tap with square head plug	
1"	\$52.45
1 1/2"	\$85.77
2"	\$99.00
Without plug: \$26.90	



# Copper Meter Setters

## Meter Idlers



### Meter Idler - Brass

Part No.	MODEL	METER	A	B	LIST PRICE
5138-021	740MJ07	5/8" x 3/4"	7 1/2"	1"	\$60.39
5138-022	740MJ09	3/4"	9"	1"	\$66.79



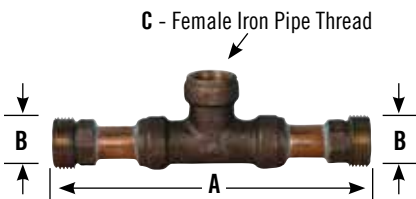
### Meter Idler - Copper

Part No.	MODEL	METER	A	B	LIST PRICE
5138-177	740MJ05	5/8"	7 1/2"	3/4"	\$42.31
5138-026	740MJ07 x 3.63	5/8" x 3/4"	3 5/8"	1"	\$42.31
5138-166	740MJ10	1"	10 3/4"	1 1/4"	\$83.14
5138-027	740MJ10 x 4.00	1"	4"	1 1/4"	\$83.14
5138-007	740MJ10 x 7.50	1"	7 1/2"	1 1/4"	\$83.14
5138-035	740MJ10 x 8.50	1"	8 1/2"	1 1/4"	\$83.14
5138-193	740MJ10 x 9.50	1"	9 1/2"	1 1/4"	\$83.14
5138-192	740MJ10 x 10.12	1"	10 1/8"	1 1/4"	\$83.14
5138-009	740MJ10 x 13.00	1"	13"	1 1/4"	\$138.42
5138-020	740MJ10 x 18.25	1"	18 1/4"	1 1/4"	\$125.87
5138-040	740MJ60375	1 1/2"	3.75"	1 1/2" Oval Flange	\$289.88
5138-023	740MJ60688	1 1/2"	6.78"	1 1/2" Oval Flange	\$289.89
5138-033	740MJ608	1 1/2"	8"	1 1/2" Oval Flange	\$289.89
5138-034	740MJ60988	1 1/2"	9.78"	1 1/2" Oval Flange	\$289.89
5138-006	740MJ613	1 1/2"	13"	1 1/2" Oval Flange	\$289.89
5138-042	740MJ70488	2"	4.88"	2" Oval Flange	\$299.11
5138-041	740MJ70705	2"	5"	2" Oval Flange	\$299.11
5138-017	740MJ70513	1 1/2"	5 1/8"	2" Oval Flange	\$299.20
5138-003	740MJ703	2"	3"	2" Oval Flange	\$289.56
5138-187	740MJ707	2"	7"	2" Oval Flange	\$299.11
5138-004	740MJ710	2"	10"	2" Oval Flange	\$299.11
5138-005	740MJ717	2"	17"	2" Oval Flange	\$382.98
5138-016	740MJ71562	2"	15 5/8"	2" Oval Flange	\$382.98



### Meter Idler - PVC

Part No.	MODEL	METER	A	B	LIST PRICE
4138-179	40MJ05PVC	5/8"	7 1/2"	3/4"	\$9.72
4138-180	40MJ07PVC	5/8" x 3/4"	7 1/2"	1"	\$19.52
4138-181	40MJ09PVC	3/4"	9"	1"	\$20.88
4138-182	40MJ10PVC	1"	10 3/4"	1 1/4"	\$25.65



### Air Release / Vac Idler Tee

Part No.	MODEL	METER	A	B	C	LIST PRICE
5138-194	715AV13 x 7.50	5/8"	7 1/2"	3/4"	3/4"	\$118.38
5138-161	715AV23 x 7.50	5/8" x 3/4"	7 1/2"	1"	3/4"	\$118.66
5138-167	715AV33 x 9.00	3/4"	9"	1"	3/4"	\$120.79
5138-162	715AV44 x 10.75	1"	10 3/4"	1 1/4"	1"	\$171.23
5138-013	715AV63 x 7.50	1 1/2"	7 1/2"	1 1/2" Oval Flange	3/4"	\$335.00
5138-014	715AV64 x 7.50	1 1/2"	7 1/2"	1 1/2" Oval Flange	1"	\$341.35
5138-011	715AV73 x 7.00	2"	7"	2" Oval Flange	3/4"	\$492.22
5138-012	715AV74 x 7.00	2"	7"	2" Oval Flange	1"	\$499.21
5138-019	715AV77 x 15.00 x 2.50	2"	15"	2" Oval Flange	2"	\$635.51
5138-024	715AV77 x 8.25	2"	8 1/4"	2" Oval Flange	2"	\$551.64

## Gaskets

Part No.	MODEL	DESCRIPTION	THICKNESS	METER SIZE	LIST PRICE
4124-049	18-G1	Rubber	1/8"	5/8"	\$0.45
4124-059	18-G1F	Fiber	1/16"	5/8"	\$1.75
4124-056	18-G1L	Waxed Leather	1/8"	5/8"	\$1.05
4124-050	18-G2	Rubber	1/8"	5/8" x 3/4" or 3/4"	\$0.57
4124-060	18-G2F	Fiber	1/16"	5/8" x 3/4" or 3/4"	\$1.86
4124-057	18-G2L	Waxed Leather	1/8"	5/8" x 3/4" or 3/4"	\$1.01
4124-051	18-G4	Rubber	1/8"	1"	\$0.60
4124-061	18-G4F	Fiber	1/16"	1"	\$2.59
4124-058	18-G4L	Waxed Leather	1/8"	1"	\$1.13
4124-054	4620G	Round-Rubber	1/8"	1 1/2"	\$4.40
4124-055	4620G	Round-Rubber	1/8"	2"	\$5.00

Part No.	MODEL	DESCRIPTION	THICKNESS	METER SIZE	LIST PRICE
4124-052	18-G6	Flange-Rubber	1/8"	1 1/2"	\$4.92
4124-053	18-G7	Flange-Rubber	1/8"	2"	\$5.58

Part No.	MODEL	DESCRIPTION	THICKNESS	METER SIZE	LIST PRICE
4070-000	18-GFF6	Full Face Flange Rubber	1/8"	1 1/2"	\$4.40
4070-001	18-GFF7	Full Face Flange Rubber	1/8"	2"	\$5.04

Drop in flange gaskets furnished.



2" Meter Flanges have slotted bolt holes to fit 1 1/2" or 2" meters.

Meter support brackets furnished.







**WITHOUT  
YOU  
THERE IS  
NO US.**



# **Copper Meter Insetters**

January 11, 2022 - Revised July 2024



## 740 Series - Union x Union

5/8", 5/8" x 3/4", 3/4" or 1" | "C" Style

The A.Y. McDonald 740 series "C Style" meter inside setting offers solder-less construction with multiple options for vertical inlet and outlet union end connection configurations and combinations.



Solderless Setting

To order "C" Style: Model No. **740-2----FF 33** above means:

<b>740</b>	<b>-</b>	<b>2</b>	<b>--</b>	INLET OUTLET <b>--</b>	INLET OUTLET <b>FF</b>	<b>33</b>	
Series   740 "C" Style	Style   -- = Standard	Meter Size   1 = 5/8" 2 = 5/8" x 3/4" 3 = 3/4"	Meter Height   -- = Standard	Inlet and Outlet   -- = Standard	Type of Connection Inlet and Outlet	Blank Space	Size Inlet & Outlet   1 = 1/2" 3 = 3/4" 4 = 1"

- C** = Copper flare union (3/4" or 1")
- F** = FNPT union (1/2", 3/4" or 1")
- G** = "G" CTS union (3/4")
- M** = MNPT union (3/4" or 1")
- Q** = "Q" CTS union (3/4")
- S** = Solder union (3/4" or 1")
- T** = "T" CTS union (3/4" or 1")
- Y** = "H CTS union (3/4")
- 2** = "-22" CTS MacPak union (3/4" or 1")
- 3** = "-33" PEP MacPak union (3/4")
- 4** = "-44" PVC MacPak union (3/4")
- 5** = "-55" IP MacPak union (3/4")

- Sealing gaskets for union ends are 40-EGSK3.

### 1" Meter Settings

The A.Y. McDonald 1" 740 series "C Style" meter inside setting offers multiple options for vertical inlet and outlet union end connection configurations and combinations with additional options for shut off or check valves.



To order "C" Style: Model No. **740-4----DD 44** above means:

<b>740</b>	<b>-</b>	<b>4</b>	<b>--</b>	INLET OUTLET <b>--</b>	INLET OUTLET <b>DD</b>	<b>44</b>	
Series   740 "C" Style	Style   -- = Standard	Meter Size   4 = 1"	Meter Height   -- = Standard	Inlet and Outlet   -- = Standard	Type of Connection Inlet and Outlet	Blank Space	Size Inlet & Outlet   4 = 1" 5 = 1 1/4"

- A** = 1" Port Angle Single Check Valve
- F** = 3/4" Port Angle Dual Check Valve (ASSE 1024)
- G** = Angle Lockwing Plug Valve
- K** = 1" Port Angle Lockwing Ball Valve
- N** = Flanged Tubing with Meter Nut
- P** = 1" Port Angle Dual Check Valve (ASSE 1024)
- Q** = Standard Port Angle Lockwing Ball Valve
- Z** = Brass Elbow
- D** = Double purpose union (1")
- G** = "G" CTS union (3/4")
- H** = "H" CTS Handyloc (3/4")
- M** = MNPT union (1" & 1 1/4")
- Q** = "Q" CTS Union (1")
- S** = Solder union (1")
- T** = "T" CTS Union (1")
- 2** = "-22" CTS MacPak Union (1")

#### OPTIONS

- Assemblies shipped with two meter gaskets and union gaskets.
- Insert stiffeners are required on all flexible plastic connections.
- **Not all combinations available, contact factory with your requirements.**
- **MOST METER SETTERS ARE MADE TO ORDER AND ARE NOT RETURNABLE.**
- **Please verify with the factory that the model number you have configured is available and meets your requirements.**

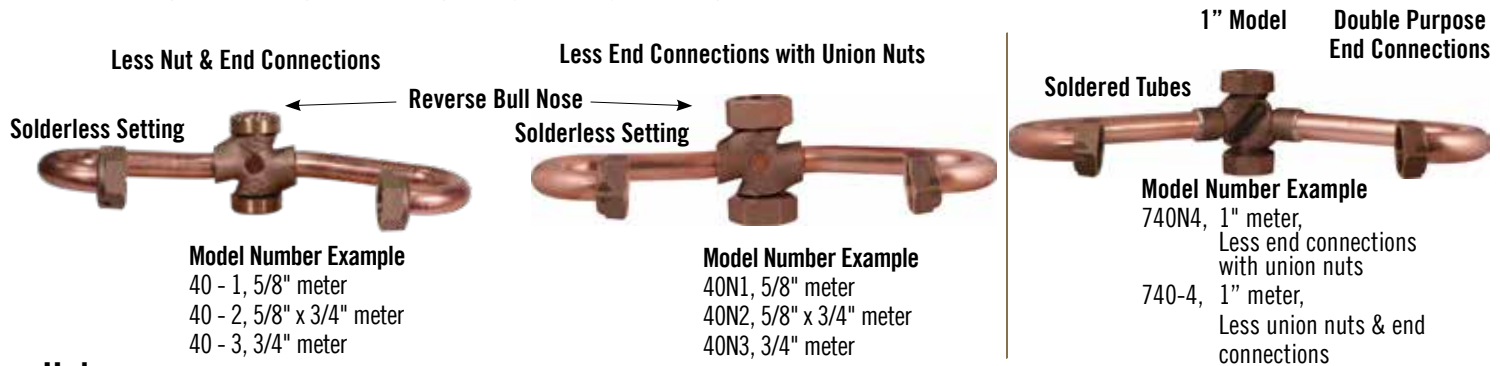




# 740 Series - Union x Union

## Less End Connections and Union Nuts

The A.Y. McDonald 740 series "C Style" meter inside setting is also available less end connections or less end connections and union nuts. These parts can be purchased separately to configure as required.



## Unions

### Unions for 5/8", 5/8" x 3/4", 3/4", & 1" Meter Settings - "C" Style Unions

MODEL	DESCRIPTION	MODEL	DESCRIPTION
<b>5/8", 5/8" x 3/4", 3/4" Meters</b>		<b>1" Meters</b>	
	740-3B3ASY 3/4" -3G PEP-7 C-Style union assembly		20-4N 1" Union nut only
	740-3C3 3/4" Flare C-Style endpiece		720-4D4 1" Double purpose endpiece flare or FNPT (also used on 5/8" x 3/4", 3/4" meter sets with 1" Double purpose connection)
	740-3C3ASY 3/4" Flare C-Style union assembly		720-4D4ASY 1" Double purpose endpiece flare or FNPT (also used on 5/8" x 3/4", 3/4" meter sets with 1" Double purpose connection) with union nut & gasket
	740-3C4ASY 1" Flare C-Style union assembly		720-4J4 1" C903 endpiece
	740-3F1 1/2" FNPT C-Style endpiece		720-4J4ASY 1" C903 endpiece, union nut & gasket
	740-3F3 3/4" FNPT C-Style endpiece		720-4M4 1" MNPT endpiece
	740-3F3ASY 3/4" FNPT C-Style union assembly		720-4M4ASY 1" MNPT endpiece, union nut & gasket
	740-3F4ASY 1" FNPT C-Style union assembly		720-4M5 1 1/4" MNPT endpiece
	740-3G4ASY 1" G CTS C-Style union assembly		720-4M5ASY 1 1/4" MNPT endpiece, union nut & gasket
	740-3M3 3/4" MNPT C-Style endpiece		720-4Q4 1" Q CTS endpiece
	740-3M3ASY 3/4" MNPT C-Style union assembly		720-4Q4ASY 1" Q CTS endpiece, union nut & gasket
	740-3M4 1" MNPT C-Style endpiece		720-4S4 1" Solder endpiece
	740-3M4ASY 1" MNPT C-Style union assembly		720-4S4ASY 1" Solder endpiece, union nut & gasket
	740-3Q3 3/4" Q CTS C-Style endpiece		720-4T4 1" T CTS endpiece
	740-3Q4ASY 1" Q CTS C-Style union assembly		720-4T4ASY 1" T CTS endpiece, union nut & gasket
	740-3S3 3/4" Solder C-Style endpiece		20G4 1" Double purpose gaskets
	740-3S3ASY 3/4" Solder union assembly		720-424 1" -22 CTS endpiece
	740-3S4 1" Solder C-Style endpiece		720-424ASY 1" -22 CTS endpiece, union nut & gasket
	740-3S4ASY 1" Solder union assembly		
	740-3T3 3/4" T CTS C-Style endpiece		
	740-3T3ASY 3/4" T CTS C-Style union assembly		
	740-3T4ASY 1" T CTS C-Style union assembly		
	740-3Z3ASY 3/4" -3Q PEP-7 C-Style union assembly		
	740-323 3/4" -22 CTS C-Style endpiece		
	740-323ASY 3/4" -22 CTS C-Style union assembly		
	740-324ASY 1" -22 CTS C-Style union assembly		
	740-333ASY 3/4" -33 PEP-7 C-Style union assembly		
	20-3N Union nut for 3/4" Dual Purpose & C-Style Union		
	40-EGSK3 Gasket for union		

### OPTIONS

- Assemblies shipped with two meter gaskets.
- Insert stiffeners are required on all flexible plastic connections.
- **Not all combinations available, contact factory with your requirements.**
- **MOST METER SETTERS ARE MADE TO ORDER AND ARE NOT RETURNABLE.**
- **Please verify with the factory that the model number you have configured is available and meets your requirements.**



## 740 Series - Union x Union

FOR 5/8", 5/8" X 3/4", 3/4", OR 1" METERS

"C" Style



Model 740-2----FF 33

5/8" Meter				5/8" x 3/4" Meter			
Part No.	Model	Size	Price	Part No.	Model	Size	Price
5156-090	740-1----FF 33	5/8"	\$131.20	5156-118	740-2----FF 33	5/8"	\$138.11
3/4" Meter				1" Meter			
Part No.	Model	Size	Price	Part No.	Model	Size	Price
5156-146	740-3----FF 33	3/4"	\$156.35	5149-152	740-4----DD 44	1"	\$244.29

### Inlet Option Adders (Price per end):

5/8", 5/8" x 3/4", or 3/4" Meters

Option	Size	List	Size	List	Size	List
C - Copper flare union			3/4"	\$12.58	1"	\$37.02
F - Female union	1/2"	N/C	3/4"	N/C	1"	\$18.42
G - "G" CTS union			3/4"	\$19.16		
M - Male union			3/4"	N/C	1"	\$6.75
Q - "Q" CTS union			3/4"	\$19.16	1"	\$40.16
S - Solder union			3/4"	N/C	1"	\$6.75
T - "T" CTS union			3/4"	\$19.16	1"	\$40.16
Y - "H" CTS union			3/4"	\$23.60		
2 - "-22" CTS union			3/4"	\$19.16	1"	\$40.16
3 - "-33" PEP union			3/4"	\$38.58		
4 - "-44" PVC union			3/4"	\$38.58		
5 - "-55" IP union			3/4"	\$40.23		

### 1" Meters

Option	Size	List
D - Double Purpose (Flare or FNPT)	1"	
G - "G" CTS union	1"	\$34.82
H - "H" CTS Handyloc	1"	\$40.75
J - "J" C903 Type Union	1"	\$45.53
M - Male union	1"	N/C
Q - "Q" CTS union	1"	\$34.82
S - Solder union	1"	N/C
T - "T" CTS union	1"	\$34.82
2 - "-22" CTS MacPak union	1"	\$34.82

### Series 40

"C" Style



Part No.	Model	Size	Carton PCS/WT	Price
4149-255	40-1	5/8"	8/21	\$91.62
4149-256	40-2	5/8" x 3/4"	8/22	\$98.53
4149-257	40-3	3/4"	8/23	\$116.76
5149-146	740-4	1"	10/52	\$181.35

### Series 40

"C" Style



Part No.	Model	Size	Carton PCS/WT	Price
4149-240	40N1	5/8"	8/24	\$109.65
4149-241	40N2	5/8" x 3/4"	8/24	\$116.56
4149-242	40N3	3/4"	8/26	\$134.20
5149-243	740N4	1"	7/41	\$209.83

### OPTIONS

- Assemblies shipped with two meter gaskets.
- Insert stiffeners are required on all flexible plastic connections.
- **Not all combinations available, contact factory with your requirements.**
- **MOST METER SETTERS ARE MADE TO ORDER AND ARE NOT RETURNABLE.**
- Please verify with the factory that the model number you have configured is available and meets your requirements.

### Series 40 End Connections

5/8", 5/8" x 3/4" & 3/4" Meters

Part No.	Model No.	Size	List
5149-239	740-323	- 3/4" -22 CTS C-Style endpiece	\$29.87
5144-367	740-323ASY	- 3/4" -22 CTS C-Style Union Assembly	\$40.66
5149-260	740-324ASY	- 1" -22 CTS C-Style Union Assembly	\$63.63
5149-261	740-333ASY	- 3/4" -33 PEP-7 C-Style Union Assembly	\$62.68
5145-497	740-3B3ASY	- 3/4" -3G PEP-7 C-Style Union Assembly	\$62.68
5149-237	740-3C3	- 3/4" Flare C-Style endpiece	\$33.57
5144-368	740-3C3ASY	- 3/4" Flare C-Style Union Assembly	\$44.32
5149-258	740-3C4ASY	- 1" Flare C-Style Union Assembly	\$61.07
5149-231	740-3F1	- 1/2" FNPT C-Style endpiece	\$10.73
5149-232	740-3F3	- 3/4" FNPT C-Style endpiece	\$10.77
5144-369	740-3F3ASY	- 3/4" FNPT C-Style Union Assembly	\$19.12
5149-248	740-3F4ASY	- 1" FNPT C-Style Union Assembly	\$36.75
5145-499	740-3G4ASY	- 1" G CTS C-Style Union Assembly	\$63.63
5149-233	740-3M3	- 3/4" MNPT C-Style endpiece	\$10.77
5144-370	740-3M3ASY	- 3/4" MNPT C-Style Union Assembly	\$19.12
5149-234	740-3M4	- 1" MNPT C-Style endpiece	\$17.23
5144-371	740-3M4ASY	- 1" MNPT C-Style Union Assembly	\$25.63
5149-471	740-3Q3	- 3/4" Q CTS C-Style endpiece	\$29.87
5145-498	740-3Q4ASY	- 1" Q CTS C-Style Union Assembly	\$63.63
5149-235	740-3S3	- 3/4" Solder C-Style endpiece	\$10.77
5144-372	740-3S3ASY	- 3/4" Solder C-Style Union Assembly	\$19.12
5149-236	740-3S4	- 1" Solder C-Style endpiece	\$17.23
5144-373	740-3S4ASY	- 1" Solder C-Style Union Assembly	\$25.63
5149-238	740-3T3	- 3/4" T CTS C-Style endpiece	\$29.87
5144-374	740-3T3ASY	- 3/4" T CTS C-Style Union Assembly	\$40.66
5149-259	740-3T4ASY	- 1" T CTS C-Style Union Assembly	\$63.63
5145-496	740-3Z3ASY	- 3/4" -3Q PEP-7 C-Style Union Assembly	\$62.68
4149-230	20-3N	- Union Nut for 3/4" DP & C-Style Unions	\$8.41
4145-065	40-EGSK3	- 3/4" Union Gasket	\$0.60

### 1" Meters

Part No.	Model No.	Size	List
5149-479	720-424ASY	- 1" "-22" CTS Union Assembly	\$49.08
5149-246	720-4D4	- 1" Flare / FNPT Endpiece	\$17.23
5149-460	720-4D4ASY	- 1" Flare / FNPT Union Assembly	\$30.70
	720-4J4	- 1" C903 Endpiece	\$62.76
5149-245	720-4M4	- 1" MNPT endpiece	\$17.23
5144-364	720-4M4ASY	- 1" MNPT Union Assembly	\$30.70
5149-370	720-4M5	- 1 1/4" MNPT endpiece	\$30.80
5144-365	720-4M5ASY	- 1 1/4" MNPT Union Assembly	\$44.21
5149-480	720-4Q4	- 1" "Q" CTS Endpiece	\$34.83
5149-478	720-4Q4ASY	- 1" "Q" CTS Union Assembly	\$49.08
5149-247	720-4S4	- 1" Solder Endpiece	\$17.23
5144-366	720-4S4ASY	- 1" Solder Union Assembly	\$30.70
5149-492	720-4T4	- 1" "T" Endpiece	\$34.83
4149-244	20-4N	- 1" Union nut for 720 & 740	\$13.46
4140-001	20G4	- 1" Union Gasket	\$0.78



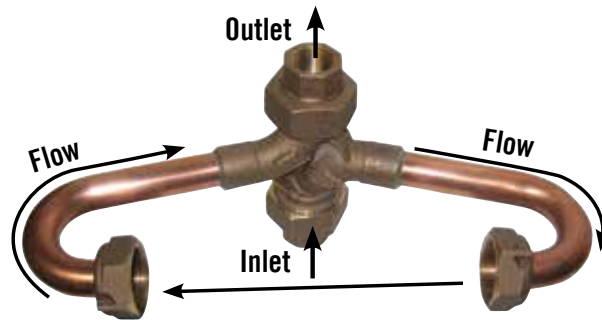
# 740M Series - Union x Union

5/8", 5/8" x 3/4" or 3/4" | "C" Style

The A.Y. McDonald 740M series "C Style" meter inside setting offers inlet and outlet union end connection configurations with additional options for shut off or check valves.

End connections are machined concave on the body and machined convex on the endpiece.

Solid bottom bar alternate to standard 40 Series 5/8", 5/8" x 3/4" or 3/4"



To order "M" Style: Model No. **740M2----FF 33** means:

<b>740</b>	<b>M</b>	<b>2</b>	<b>--</b>	<b>--</b>	<b>FF</b>		<b>33</b>
Series	Style	Meter Size	Meter Height	Inlet and Outlet	Type of Connection Inlet and Outlet	Blank Space	Size Inlet & Outlet
740 "C" Style	M = Standard	1 = 5/8" 2 = 5/8" x 3/4" 3 = 3/4"	-- = Standard (Blank) = Inserter less union and connections	-- = Standard - Tubes with meter nuts less saddles, no valves A = 3/4" Port Angle Single Check Valve F = 3/4" Port Angle Dual Check Valve (ASSE 1024) G = Angle Lockwing Plug Valve K = 3/4" Port Angle Lockwing Ball Valve N = Flanged Tubing with Meter Nut Q = Standard Port Angle Lockwing Ball Valve Z = Brass Elbow	C = Copper flare union (3/4" or 1") F = FNPT union (1/2", 3/4" or 1") G = "G" CTS union (3/4") M = MNPT union (3/4" or 1") Q = "Q" CTS union (3/4") S = Solder union (3/4" or 1") T = "T" CTS union (3/4" or 1") Y = "H" CTS union (3/4") 2 = "-22" CTS MacPak union (3/4" or 1") 3 = "-33" PEP MacPak union (3/4") 4 = "-44" PVC MacPak union (3/4") 5 = "-55" IP MacPak union (3/4")		1 = 1/2" 3 = 3/4" 4 = 1"

Uses same endpieces and union nuts see page 384 as "740" style

## OPTIONS

- Assemblies shipped with two meter gaskets.
- Insert stiffeners are required on all flexible plastic connections.
- **Not all combinations available, contact factory with your requirements.**
- **MOST METER SETTERS ARE MADE TO ORDER AND ARE NOT RETURNABLE.**
- **Please verify with the factory that the model number you have configured is available and meets your requirements.**

## 740M Series - Union x Union

5/8", 5/8" x 3/4" or 3/4" | "C" Style

The A.Y. McDonald 740M series "C Style" meter inside setting offers inlet and outlet union end connection configurations with additional options for shut off or check valves.



Part No.	5/8" Meter Size	Carton PCS/WT	Price
5158-267	740M1----MM 33	8/32	\$150.54

Part No.	5/8" x 3/4" Meter Size	Carton PCS/WT	Price
5151-009	740M2----MM 33	8/32	\$150.55

Part No.	3/4" Meter Size	Carton PCS/WT	Price
5151-107	740M3----MM 33	8/32	\$163.95

### Inlet Option Adders (Price per end):

5/8", 5/8" x 3/4", or 3/4" Meters

Option	Size	List	Size	List	Size	List
C - Copper flare union			3/4"	\$12.58	1"	\$37.02
F - Female union	1/2"	N/C	3/4"	N/C	1"	\$18.42
G - "G" CTS union			3/4"	\$19.16		
M - Male union			3/4"	N/C	1"	\$6.75
Q - "Q" CTS union			3/4"	\$19.16	1"	\$40.16
S - Solder union			3/4"	N/C	1"	\$6.75
T - "T" CTS union			3/4"	\$19.16	1"	\$40.16
Y - "H" CTS union			3/4"	\$23.60		
2 - "-22" CTS union			3/4"	\$19.16	1"	\$40.16
3 - "-33" PEP union			3/4"	\$38.58		
4 - "-44" PVC union			3/4"	\$38.58		
5 - "-55" IP union			3/4"	\$40.23		

### Less Saddle Nut

Options		1	2	3
		5/8"	5/8" x 3/4"	3/4"
Standard Ball Valve	Q	\$83.78	\$83.78	\$83.78
Full Port Ball Valve	K	\$152.98	\$152.98	\$152.98
Plug Valve	G	\$68.94	\$68.94	\$68.94
Single Check Valve	A	\$76.06	\$76.06	\$76.06
Dual Check - ASSE	F	\$153.13	\$153.13	\$153.13
Meter Swivel Nut	N	N/C	N/C	N/C
Brass Elbow	Z	\$30.34	\$37.42	\$37.42
Dual Check - Cascading (*adds x992 to end of model number)	F*	\$139.73	\$139.73	\$139.73

### OPTIONS

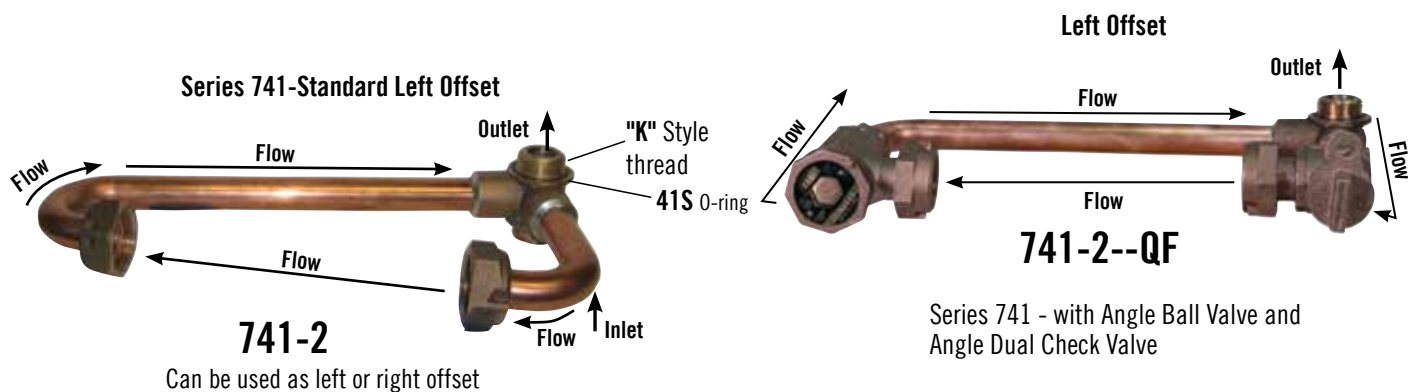
- Assemblies shipped with two meter gaskets.
- Insert stiffeners are required on all flexible plastic connections.
- **Not all combinations available, contact factory with your requirements.**
- **MOST METER SETTERS ARE MADE TO ORDER AND ARE NOT RETURNABLE.**
- Please verify with the factory that the model number you have configured is available and meets your requirements.



# 741 Series

5/8", 5/8" x 3/4" or 3/4" | Meter Settings - "K" Style

The A.Y. McDonald 741 series "K Style" meter inside setting offers left and right offset configurations along with additional options for shut off or check valves. Minimal changes to customer plumbing is required. Cut in style end connections are available to connect to varying service line materials. The special inlet and outlet thread and o-ring seal combination offers quick, leak free connections.



To order "K" Style: Model No. **741-2** above means:

<b>741</b>	<b>-</b>	<b>2</b>
Series	Style	Meter Size
741 "K" Style	- = Standard (Left) C = K Style insetter with 744 series tubes D = 7/8" tube (Not available for 5/8" meters with flange) X = K Style with right hand configuration (with valves only)	1 = 5/8" 2 = 5/8" x 3/4" 3 = 3/4"

To order "K" Style: Model No. **741-2--QF** above means:

<b>741</b>	<b>-</b>	<b>2</b>	<b>--</b>	<b>QF</b>
Series	Style	Meter Size	Meter Height	Inlet and Outlet Valves
741 "K" Style	- = Standard (Left) C = K Style insetter with 744 series tubes D = 7/8" tube (Not available for 5/8" meters with flange) X = K Style with right hand configuration (with valves only)	1 = 5/8" 2 = 5/8" x 3/4" 3 = 3/4"	-- = Standard (If Blank) = Standard settings less valve and end connections	A = 3/4" Port Angle Single Check Valve F = 3/4" Port Angle Dual Check Valve (ASSE 1024) G = Angle Lockwing Plug Valve K = 3/4" Port Angle Lockwing Ball Valve N = Flanged Tubing with Meter Nut Q = Standard Port Angle Lockwing Ball Valve Z = Brass Elbow

### Less Saddle Nut

Options		1	2	3
		5/8"	5/8" x 3/4"	3/4"
Standard Ball Valve	Q	\$83.78	\$83.78	\$83.78
Full Port Ball Valve	K	\$152.98	\$152.98	\$152.98
Plug Valve	G	\$68.94	\$68.94	\$68.94
Single Check Valve	A	\$76.06	\$76.06	\$76.06
Dual Check - ASSE	F	\$153.13	\$153.13	\$153.13
Meter Swivel Nut	N	N/C	N/C	N/C
Brass Elbow	Z	\$30.34	\$37.42	\$37.42
Dual Check - Cascading (*adds x992 to end of model number)	F*	\$139.73	\$139.73	\$139.73

STP = Standard Port    FP = Full Port

### OPTIONS

- Assemblies shipped with two meter gaskets.
- Valves and Compression assemblies ordered separately.
- Inline Dual Check Backflow Valves available for 5/8", 5/8" x 3/4", and 3/4" "K" style insetters.
- Contact factory for setting the test valve soldered in tubing.
- Insert stiffeners are required on all flexible plastic connections.
- **Not all combinations available, contact factory with your requirements.**
- **MOST METER SETTERS ARE MADE TO ORDER AND ARE NOT RETURNABLE.**
- **Please verify with the factory that the model number you have configured is available and meets your requirements.**



## 741 Series

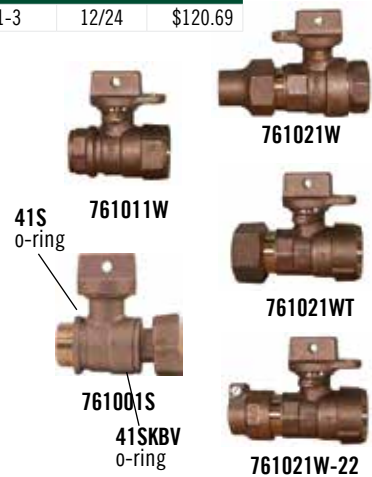
FOR 5/8", 5/8" X 3/4", 3/4"

"K" Style

Part No.	5/8" Meter Size	Carton PCS/WT	Price	Part No.	5/8" x 3/4" Meter Size	Carton PCS/WT	Price	Part No.	3/4" Meter Size	Carton PCS/WT	Price
5149-142	741-1	12/27	\$103.07	5149-143	741-2	12/27	\$108.85	5149-144	741-3	12/24	\$120.69

### Ball Valves for K Style

Part No.	Model	Valve Size	Description	List Price
5149-211	761001S 3/4" x 5/8" x 3/4"	5/8"	3/4" "K" Swivel Nut x 3/4" "K" Male Thread less locking	\$90.28
5149-215	761001SW 3/4" x 5/8" x 3/4"	5/8"	3/4" "K" Swivel Nut x 3/4" "K" Male Thread with locking	\$94.94
5132-184	761011 3/4" x 5/8" x 3/4"	5/8"	3/4" FNPT x 3/4" Female "K" Thread less locking	\$85.11
5132-189	761011W 3/4" x 5/8" x 3/4"	5/8"	3/4" FNPT x 3/4" Female "K" Thread with locking	\$91.57
5142-414	761021W 3/4"	3/4"	3/4" Flare x 3/4" Female "K" Thread	\$141.77
5132-188	761021W-22 3/4" x 5/8" x 3/4"	5/8"	3/4" -22 CTS x 3/4" Female "K" Thread	\$103.29
5132-199	761021W-22 3/4"	3/4"	3/4" -22 CTS x 3/4" Female "K" Thread	\$135.22
5132-447	761021WQ 3/4" x 5/8" x 3/4"	5/8"	3/4" Q CTS x 3/4" Female "K" Thread	\$135.22
5132-226	761021WT 3/4" x 5/8" x 3/4"	5/8"	3/4" T CTS x 3/4" Female "K" Thread	\$103.29
4140-002	41S		K-Style Bottom Bar O-Ring - 25 per bag	\$1.67
4140-003	41SKBV		K-Style Swivel Ball Valve O-Ring - 25 per bag	\$3.39



### Fittings for Model 741-1, 741-2, or 741-3

Part No.	MODEL	SIZE	DESCRIPTION	LIST PRICE
5149-024	747541P	3/4"	MNPT x "K" Thread	\$17.40
5141-382	747541F	3/4"	FNPT x "K" Thread	\$18.94
5149-027	747541S	1 1/2" x 3/4"	Solder x "K" Thread	\$19.85
5149-028	747541S	3/4"	Solder x "K" Thread	\$20.42
5149-106	747541-22	3/4"	-22 CTS x "K" Thread	\$26.56
5149-216	747541-22	1/2" x 3/4"	-22 CTS x "K" Thread	\$29.27
5149-208	747541-22	1" x 3/4"	-22 CTS x "K" Thread	\$33.39
5149-209	747541-22	1 1/4" x 3/4"	-22 CTS x "K" Thread	\$66.46
5120-427	747541-22	1 3/16" x 3/4"	-22 CTS x "K" Thread	\$29.27
5182-025	747541Q	3/4"	Q CTS x "K" Thread	\$26.56
5149-348	747541Q	1" x 3/4"	Q CTS x "K" Thread	\$33.39
5149-358	747541Q	1 1/4" x 3/4"	Q CTS x "K" Thread	\$66.46



Part No.	MODEL	SIZE	DESCRIPTION	LIST PRICE
5149-214	747541T	3/4"	T x "K" Thread	\$26.56
5149-141	747541T	1" x 3/4"	T CTS x "K" Thread	\$33.39
5149-145	747541T	1 1/4" x 3/4"	T CTS x "K" Thread	\$66.46
5149-108	747541-33	3/4"	-33 PEP-7 x "K" Thread	\$35.34
5149-210	747541-33	1" x 3/4"	-33 PEP-7 x "K" Thread	\$63.31
5149-359	747541-3Q	1" x 3/4"	-3Q PEP x "K" Thread	\$63.31
5130-027	747541-44	1/2" x 3/4"	-44 PVC x "K" Thread	\$28.41
5149-110	747541-44	3/4"	-44 PVC x "K" Thread	\$34.03
5149-045	747541-44	1" x 3/4"	-44 PVC x "K" Thread	\$63.41
5149-112	747541-55	3/4"	-55 IP x "K" Thread	\$26.56
5149-251	747541-55	1" x 3/4"	-55 IP x "K" Thread	\$46.24
4149-029	47541GSKT	-	Copper spacing gasket	\$1.61

### 711, 7201, 7211 Series - Inline Dual Check Backflow Preventers

Part No.	Model	Valve Size	Inlet x Outlet	List Price
5152-306	711-32K 33	3/4"	13/16 CTS Union x Male "K" Integral	\$126.69
5135-212	711-3JQ 33	3/4"	5/8 Meter x Male "K" Integral	\$148.53
5135-270	711-3JQ 43	3/4"	Meter x Male "K" Integral	\$147.90
5135-242	711-3KL 33	3/4"	Male "K" Integral x Female "K" Union	\$155.90
5135-240	711-3LK 33	3/4"	Female "K" Union x Male "K" Integral	\$130.61
5135-335	711-3LE 33	3/4"	Female "K" Union x FNPT Integral	\$130.61
5135-221	711-3L2 33	3/4"	Female "K" Union x -22 CTS Integral	\$171.24
5135-222	711-3LT 33	3/4"	Female "K" Union x T CTS Integral	\$171.24
5135-062	711-3LV 33	3/4"	Female "K" Union x Q CTS Integral	\$171.24
5135-223	711-3MK 33	3/4"	MNPT Union x Male "K" Integral	\$125.01
5135-217	711-3QK 33	3/4"	Male "K" Union x Male "K" Integral	\$125.01
5135-219	711E3LK 33	3/4"	Female "K" Union x Male "K" Integral	\$130.61

Part No.	Model	Valve Size	Inlet x Outlet	List Price
5032-103	7201C3KL 331	3/4"	Male "K" x Female "K" Union	\$230.27
5032-229	7201C3KL 331 x 001	3/4"	Male "K" x Female "K" Union	\$244.29
5032-104	7201C3KL 332	3/4"	Male "K" x Female "K" Union	\$230.27
5032-230	7201C3KL 332 x 001	3/4"	Male "K" x Female "K" Union	\$244.29
5032-097	7201C3LK 331	3/4"	Female "K" Union x Male "K"	\$230.27
5032-223	7201C3LK 331 x 001	3/4"	Female "K" Union x Male "K"	\$244.29
5032-098	7201C3LK 332	3/4"	Female "K" Union x Male "K"	\$230.27
5032-224	7201C3LK 332 x 001	3/4"	Female "K" Union x Male "K"	\$244.29
5032-264	7211E3LK 331	3/4"	Female "K" Union x Male "K"	\$321.22
5032-081	7211-3LK 331	3/4"	Female "K" Union x Male "K"	\$292.06
5032-082	7211-3LK 332	3/4"	Female "K" Union x Male "K"	\$292.06
5040-019	701-3ZP 33 (Single Check)	3/4"	Female "K" Union x MNPT	\$69.24
5152-305	7311-3JQ 43	3/4"	Meter x Male "K"	\$140.84
5134-067	7411-3LK 33	3/4"	"K" Swivel x Male "K"	\$144.31



#### OPTIONS

- Insert stiffeners are required on all flexible plastic connections.

\*All above are with UFR



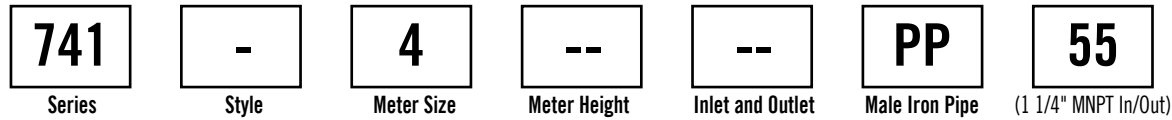


# 741 Series

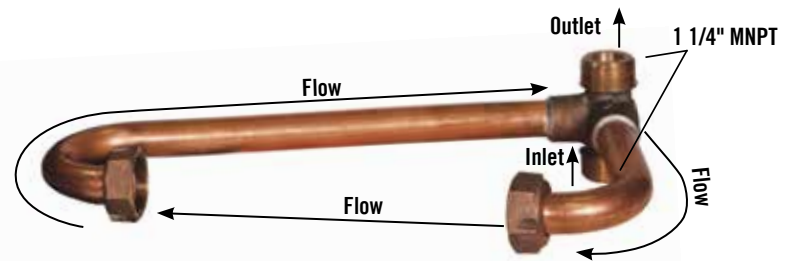
## 1" Meter | "K" Style

The A.Y. McDonald 1" 741 series "K Style" meter inside setting offers left and right offset configurations along with additional options for shut off or check valves. End connections are available to connect to varying service line materials. The Male Iron Pipe Thread (MNPT) inlet and outlet thread allows multiple combinations with female adapters for quick, leak free connections.

To order "K" Style: Model No. **741-4** means:

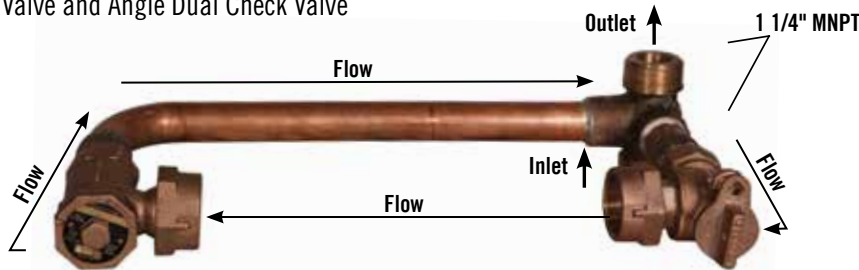


741 "K" Style  
 -- = Standard (Left)  
 C = K Style insetter with 744 series tubes, see page 399.

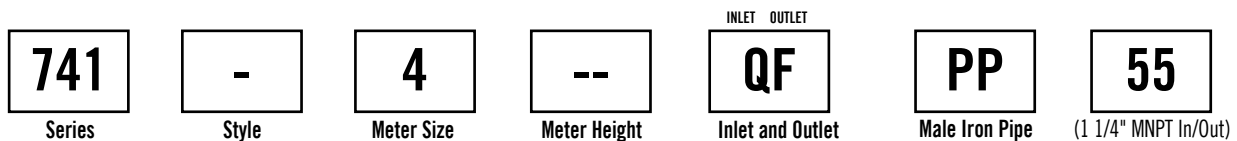


## Meter Settings with Integral Valves

Series 741 - with Angle Ball Valve and Angle Dual Check Valve



To order "K" Style: Model No. **741-4--QF** above means:



-- = Standard  
 C = K Style insetter with 744 series tubes, see page 399.  
 X = K Style right hand configuration

**INLET** **OUTLET**  
**QF**  
 A = 1" Port Angle Single Check Valve  
 F = 3/4" Port Angle Dual Check Valve (ASSE 1024)  
 G = Angle Lockwing Plug Valve  
 K = 1" Port Angle Lockwing Ball Valve  
 N = Flanged Tubing with Meter Nut  
 P = 1" Port Angle Dual Check Valve (ASSE 1024)  
 Q = Standard Port Angle Lockwing Ball Valve  
 Z = Brass Elbow

PP = MNPT x MNPT  
 5 = 1 1/4"

### OPTIONS

- Assemblies shipped with two meter gaskets.
- Inline Dual Check Backflow Valves available for 5/8", 5/8" x 3/4", and 3/4" "K" style insetters.
- Contact factory for setting the test valve soldered in tubing.
- Insert stiffeners are required on all flexible plastic connections.
- **Not all combinations available, contact factory with your requirements.**
- **MOST METER SETTERS ARE MADE TO ORDER AND ARE NOT RETURNABLE.**
- **Please verify with the factory that the model number you have configured is available and meets your requirements.**



## 741 Series

Compression Assemblies & Ball Valves for 1" "K" Style



Part No.	1" Meter Size	Carton PCS/WT	Price
	741-4	10/40	\$229.42

### Ball Valves for Model 741-4 with Lockwing

Part No.	Model	Description	List Price
5132-068	76101MW 1" x 3/4" x 1"	1" FNPT x 1" Meter Swivel	\$148.20
5139-115	76101MW 1"	1" FNPT x 1" Meter Swivel	\$203.22
5139-059	76100MW 1" x 3/4" x 1"	1" Flare x 1" Meter Swivel	\$177.40
5139-105	76100MW 1"	1" Flare x 1" Meter Swivel	\$217.66
5132-066	76100MW-22 1" x 3/4" x 1"	1" -22 CTS x 1" Meter Swivel	\$183.67
5139-107	76100MW-22 1"	1" -22 CTS x 1" Meter Swivel	\$225.75
5192-053	76100MWG 1" x 3/4" x 1"	1" G CTS x 1" Meter Swivel	\$183.67
5192-145	76100MWG 1"	1" G CTS x 1" Meter Swivel	\$225.75
5181-227	76100MWQ 1" x 3/4" x 1"	1" Q CTS x 1" Meter Swivel	\$183.67
5182-222	76100MWQ 1"	1" Q CTS x 1" Meter Swivel	\$225.75
5132-063	76100MWT 1" x 3/4" x 1"	1" T CTS x 1" Meter Swivel	\$183.67
5139-109	76100MWT 1"	1" T CTS x 1" Meter Swivel	\$225.75
5139-387	76100MW-33 1"	1" -33 PEP-7 x 1" Meter Swivel	\$246.14
5142-265	76100MW-44 1"	1" -44 PVC x 1" Meter Swivel	\$246.14

### Ball Valves for Model 741-4 without Lockwing

Part No.	Model	Description	List Price
5142-446	76101M 1" x 3/4" x 1"	1" FNPT x 1" Meter Swivel	\$148.34
5129-176	76101M 1"	1" FNPT x 1" Meter Swivel	\$198.60
5132-190	76100M 1" x 3/4" x 1"	1" Flare x 1" Meter Swivel	\$172.74
5129-168	76100M 1"	1" Flare x 1" Meter Swivel	\$212.98
5139-015	76100M-22 1" x 3/4" x 1"	1" -22 CTS x 1" Meter Swivel	\$179.01
5133-166	76100M-22 1"	1" -22 CTS x 1" Meter Swivel	\$221.09
5182-305	76100MQ 1" x 3/4" x 1"	1" Q CTS x 1" Meter Swivel	\$179.01
5182-054	76100MQ 1"	1" Q CTS x 1" Meter Swivel	\$221.09
5139-006	76100MT 1" x 3/4" x 1"	1" T CTS x 1" Meter Swivel	\$179.01
5129-172	76100MT 1"	1" T CTS x 1" Meter Swivel	\$221.09
5142-143	76100M-33 1"	1" -33 PEP-7 x 1" Meter Swivel	\$241.77
5192-283	76100M-3G 1"	1" -3G PEP-7 x 1" Meter Swivel	\$241.77
5192-283	76100M-3Q 1"	1" -3Q PEP-7 x 1" Meter Swivel	\$241.77
5142-183	76100M-44 1"	1" -44 PVC x 1" Meter Swivel	\$241.77
5146-149	76100M-55 1"	1" -55 IP x 1" Meter Swivel	\$278.19

### Fittings for Model 741-4



Part No.	Model	Description	List Price
5121-022	74754 1" x 1 1/4"	1" Flare x 1 1/4" FNPT	\$60.46
5121-144	74754 1 1/4"	1 1/4" Flare x 1 1/4" FNPT	\$83.94
5131-224	74754-22 1" x 1 1/4"	1" -22 CTS x 1 1/4" FNPT	\$55.60
5141-156	74754-22 1 1/4"	1 1/4" -22 CTS x 1 1/4" FNPT	\$86.52
5131-094	74754-22 1 1/2" x 1 1/4"	1 1/2" -22 CTS x 1 1/4" FNPT	\$103.06
5182-485	*747541-22 1" x 1 1/4"	1" -22 CTS x 1 1/4" FNPT	\$55.60
5192-228	74754G 1" x 1 1/4"	1" G CTS x 1 1/4" FNPT	\$55.60
5192-095	74754G 1 1/4"	1 1/4" G CTS x 1 1/4" FNPT	\$86.52
5182-486	*747541G 1" x 1 1/4"	1" G CTS x 1 1/4" FNPT	\$55.60
5182-077	74754Q 1" x 1 1/4"	1" Q CTS x 1 1/4" FNPT	\$55.60
5182-124	74754Q 1 1/4"	1 1/4" Q CTS x 1 1/4" FNPT	\$86.52
5182-488	*747541Q 1" x 1 1/4"	1" Q CTS x 1 1/4" FNPT	\$55.60

Part No.	Model	Description	List Price
5131-228	74754T 1" x 1 1/4"	1" T CTS x 1 1/4" FNPT	\$55.60
5131-101	74754T 1 1/4"	1 1/4" T CTS x 1 1/4" FNPT	\$86.52
5182-487	*747541T 1" x 1 1/4"	1" T CTS x 1 1/4" FNPT	\$55.60
5131-225	74754-33 1" x 1 1/4"	1" -33 PEP-7 x 1 1/4" FNPT	\$74.04
5131-042	74754-33 1 1/4"	1 1/4" -33 PEP-7 x 1 1/4" FNPT	\$79.27
5192-099	74754-3G 1" x 1 1/4"	1" -3G PEP x 1 1/4" FNPT	\$66.43
5131-226	74754-44 1" x 1 1/4"	1" -44 PVC x 1 1/4" FNPT	\$66.40
5131-478	74754-44 1 1/4"	1 1/4" -44 PVC x 1 1/4" FNPT	\$82.33
5131-227	74754-55 1" x 1 1/4"	1" -55 IP x 1 1/4" FNPT	\$63.55

\* No internal pipe stop

## 711 Series - Inline Dual Check Backflow Preventers



Part No.	Model	Valve Size	Description	List Price
5135-473	711-4JF 54	1"	1" Meter Swivel Nut x 1" FNPT	\$267.93
5135-498	711-4JM 54	1"	1" Meter Swivel Nut x 1" MNPT	\$267.93

### Less Saddle Nut

Options	4	1"
Standard Ball Valve	Q	\$168.10
Full Port Ball Valve	K	\$230.46
Plug Valve	G	\$105.69
Single Check Valve	A	\$91.41
Dual Check - ASSE	F	\$145.22
Dual Check - ASSE - Full Port	P	\$265.79
Meter Swivel Nut	N	N/C
Brass Elbow	Z	\$55.04
Dual Check - Cascading (*adds x992 to end of model number)	F*	\$145.23

### OPTIONS

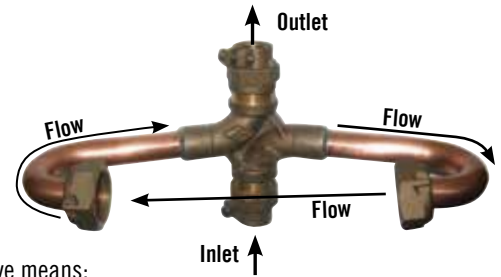
- Insert stiffeners are required on all flexible plastic connections.



# 742 Series- Integral Compression x Integral Compression

5/8", 5/8" x 3/4", or 3/4" | "H" Style, Less Valves

The A.Y. McDonald 742 series "H Style" meter inside setting offers integral Compression type inlet and outlet end connection configurations with additional options for shut off or check valves.

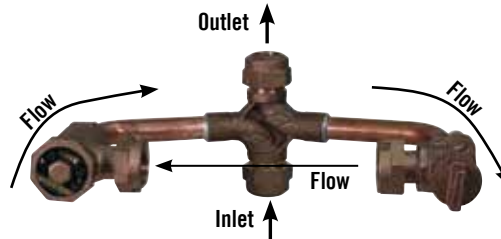


To order "H" Style: Model No. **742-2----22 33** above means:

<b>742</b>	<b>-</b>	<b>2</b>	<b>--</b>	<b>--</b>	<b>22</b>		<b>33</b>
Series 742 "H" Style	Style -- = Standard D = 7/8" tube (Not available for 5/8" meters with flange)	Meter Size 1 = 5/8" 2 = 5/8" x 3/4" 3 = 3/4"	Meter Height -- = Standard	INLET OUTLET -- = Standard	INLET OUTLET Type of Connection Inlet and Outlet	Blank Space	Size Inlet & Outlet 1 = 1/2" 3 = 3/4"

**G** = "G" CTS integral (3/4")  
**H** = "H" CTS Handyloc integral (3/4")  
**J** = C903 integral (3/4")  
**Q** = "Q" CTS McQuick integral (3/4")  
**T** = "T" CTS integral (3/4")  
**2** = "-22" CTS MacPak integral (1/2", 3/4")  
**3** = "-33" PEP MacPak integral (3/4")  
**4** = "-44" PVC MacPak integral (3/4")  
**5** = "-55" IP MacPak integral (3/4")

## 5/8", 5/8" x 3/4", or 3/4" Meter Settings with Valves "H" Style



To order "H" Style: Model No. **742-2--QFQQ 33** above means:

<b>742</b>	<b>-</b>	<b>2</b>	<b>--</b>	<b>QF</b>	<b>QQ</b>		<b>33</b>
Series 742 "H" Style	Style -- = Standard D = 7/8" tube (Not available for 5/8" meters with flange)	Meter Size 1 = 5/8" 2 = 5/8" x 3/4" 3 = 3/4"	Meter Height -- = Standard	INLET OUTLET A = 3/4" Port Angle Single Check Valve F = 3/4" Port Angle Dual Check Valve (ASSE 1024) G = Angle Lockwing Plug Valve K = 3/4" Port Angle Lockwing Ball Valve N = Flanged Tubing with Meter Nut Q = Standard Port Angle Lockwing Ball Valve Rated at 300 PSIG Z = Brass Elbow	INLET OUTLET Type of Connection Inlet and Outlet G = "G" CTS integral (3/4") H = "H" CTS Handyloc integral (3/4") J = C903 integral (3/4") Q = "Q" CTS McQuick integral (3/4") T = "T" CTS integral (3/4") 2 = "-22" CTS MacPak integral (1/2", 3/4") 3 = "-33" PEP MacPak integral (3/4") 4 = "-44" PVC MacPak integral (3/4") 5 = "-55" IP MacPak integral (3/4")	Blank Space	Size Inlet & Outlet 1 = 1/2" 3 = 3/4"

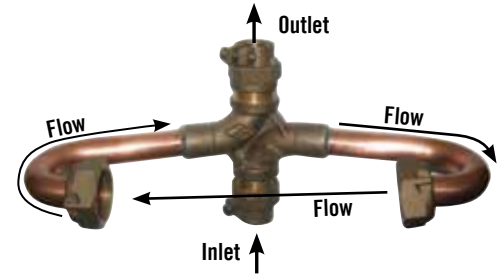
### OPTIONS

- Assemblies shipped with two meter gaskets.
- Insert stiffeners are required on all flexible plastic connections.
- **Not all combinations available, contact factory with your requirements.**
- **MOST METER SETTERS ARE MADE TO ORDER AND ARE NOT RETURNABLE.**
- **Please verify with the factory that the model number you have configured is available and meets your requirements.**

## 742 Series

### 1" "H" Style, Less Valves

The A.Y. McDonald 742 series "H Style" meter inside setting offers integral Compression type inlet and outlet end connection configurations with additional options for shut off or check valves.

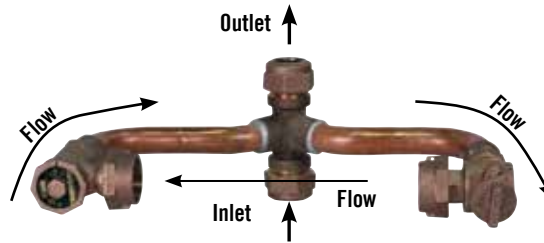


To order "H" Style: Model No. **742-4----22 44** above means:

<b>742</b>	-	<b>4</b>	--	INLET OUTLET --	INLET OUTLET <b>22</b>	Blank Space	<b>44</b>
Series   742 "H" Style	Style   - = Standard	Meter Size   4 = 1"	Meter Height   -- = Standard	Inlet and Outlet   -- = Standard	Type of Connection Inlet and Outlet	Blank Space	Size Inlet & Outlet   4 = 1"

**G** = G CTS integral (1")  
**Q** = Q CTS McQuick integral (1")  
**T** = T CTS integral (1")  
**2** = -22 CTS MacPak integral (1")

### 1" Meter Settings with Valves "H" Style



To order "H" Style: Model No. **742-4--QFQQ 44** above means:

<b>742</b>	-	<b>4</b>	--	INLET OUTLET <b>QF</b>	INLET OUTLET <b>QQ</b>	Blank Space	<b>44</b>
Series   742 "H" Style	Style   - = Standard	Meter Size   4 = 1"	Meter Height   -- = Standard	Inlet and Outlet 	Type of Connection Inlet and Outlet	Blank Space	Size Inlet & Outlet   4 = 1"

**A** = 1" Port Angle Single Check Valve  
**F** = 3/4" Port Angle Dual Check Valve (ASSE 1024)  
**G** = Angle Lockwing Plug Valve  
**K** = 1" Port Angle Lockwing Ball Valve  
**N** = Flanged Tubing with Meter Nut  
**P** = 1" Port Angle Dual Check Valve (ASSE 1024)  
**Q** = Standard Port Angle Lockwing Ball Valve  
**Z** = Brass Elbow

**G** = "G" CTS integral (1")  
**Q** = "Q" CTS McQuick integral (1")  
**T** = "T" CTS integral (1")  
**2** = "-22" CTS MacPak integral (1")

#### OPTIONS

- Assemblies shipped with two meter gaskets.
- Insert stiffeners are required on all flexible plastic connections.
- **Not all combinations available, contact factory with your requirements.**
- **MOST METER SETTERS ARE MADE TO ORDER AND ARE NOT RETURNABLE.**
- **Please verify with the factory that the model number you have configured is available and meets your requirements.**



## 742 Series

FOR 5/8", 5/8" X 3/4", 3/4", OR 1" METERS

"H" Style



Model 742-4--QFQQ 44

Part No.	5/8" Meter Size	Carton PCS/WT	Price	Part No.	5/8" x 3/4" Meter Size	Carton PCS/WT	Price
5139-222	742-1----22 33	8/28	\$132.10	5139-227	742-2----22 33	8/24	\$138.67

Part No.	3/4" Meter Size	Carton PCS/WT	Price	Part No.	1" Meter Size	Carton PCS/WT	Price
5139-232	742-3----22 33	8/24	\$148.87	5152-386	742-4----22 44	4/21	\$350.27

### Inlet Option Adders (Price per end):

5/8", 5/8" x 3/4", or 3/4" Meters

Option	Size	List	Size	List
Q - "Q" CTS			3/4"	N/C
T - "T" CTS			3/4"	N/C
2 - "-22" CTS	1/2"	N/C	3/4"	N/C
3 - "-33" PEP			3/4"	\$10.40
4 - "-44" PVC			3/4"	\$10.40
5 - "-55" IP			3/4"	\$10.40

1" Meters

Option	Size	List
G - "G" CTS	1"	N/C
Q - "Q" CTS	1"	N/C
T - "T" CTS	1"	N/C
2 - "-22" CTS MacPAK	1"	N/C

### Less Saddle Nut

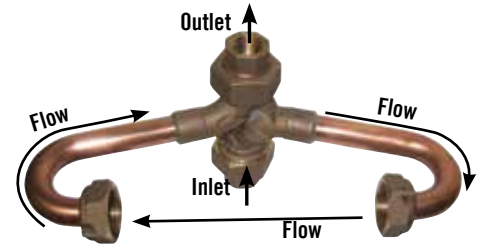
Options	1 2 3 4				
	5/8"	5/8" x 3/4"	3/4"	1"	
Standard Ball Valve	Q	\$83.78	\$83.78	\$83.78	\$168.10
Full Port Ball Valve	K	\$152.98	\$152.98	\$152.98	\$230.45
Plug Valve	G	\$68.94	\$68.94	\$68.94	\$105.69
Single Check Valve	A	\$76.06	\$76.06	\$76.06	\$91.41
Dual Check - ASSE - Standard	F	\$153.13	\$153.13	\$153.13	\$145.22
Dual Check - Cartridge	F* x 995	See "F" above	See "F" above	See "F" above	See "F" above
Dual Check - Cascading	F* x 992	\$139.73	\$139.73	\$139.73	\$145.23
Dual Check - ASSE - Full Port	P	See "F" above	See "F" above	See "F" above	\$265.79
Meter Swivel Nut	N	N/A	N/A	N/A	N/A



## 743 Series

5/8", 5/8" x 3/4" or 3/4" | "M" Style  
Union x Union

The A.Y. McDonald 743 series "M Style" meter inside setting offers inlet and outlet union end connection configurations with additional options for shut off or check valves.

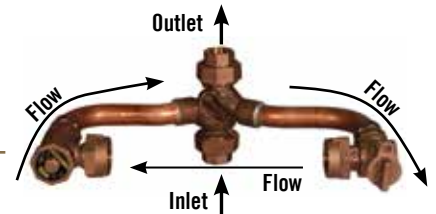


To order "M" Style: Model No. **743-2----DD 33** means:

743	-	2	--	INLET OUTLET --	INLET OUTLET DD		33
Series	Style	Meter Size	Meter Height	Inlet and Outlet	Type of Connection Inlet and Outlet	Blank Space	Size Inlet & Outlet
743 "M" Style	- = Standard D = 7/8" tube (Not available for 5/8" meters with flange) N = Insetter with Nuts Only No End pieces	1 = 5/8" 2 = 5/8" x 3/4" 3 = 3/4"	-- = Standard	A = 3/4" Port Angle Single Check Valve F = 3/4" Port Angle Dual Check Valve (ASSE 1024) G = Angle Lockwing Plug Valve K = 3/4" Port Angle Lockwing Ball Valve N = Flanged Tubing with Meter Nut Q = Standard Port Angle Lockwing Ball Valve Z = Brass Elbow	B = -3G PEP -7 Union (3/4") C = Copper Flare Union (3/4" or 1") D = Double Purpose Union (Flare or FNPT) (3/4") F = FNPT Union (1/2" or 1") G = "G" CTS McGrip Union (3/4") H = "H" CTS HandyLoc Union (3/4") J = C903 Union (3/4") L = Less Double Purpose Nut, Connection & Gasket M = MNPT Union (3/4", 1") Q = "Q" CTS McQuik Union (3/4" & 1") S = Solder Union (3/4" or 1") T = "T" CTS Union (3/4" or 1") Z = -3Q PEP-7 Union (3/4") 2 = "-22" CTS MacPak Union (3/4" or 1") 3 = "-33" PEP MacPak Union (3/4") 4 = "-44" PVC MacPak Union (3/4") 5 = "-55" IP MacPak Union (3/4")		1 = 1/2" 3 = 3/4" 4 = 1"

### 1" Meter Settings

To order "M" Style: Model No. **743-4--QFDD 44** above means:



743	-	4	--	INLET OUTLET QF	INLET OUTLET DD		44
Series	Style	Meter Size	Meter Height	Inlet and Outlet	Type of Connection Inlet and Outlet	Blank Space	Size Inlet & Outlet
743 "M" Style	- = Standard N = Insetter with nuts only no end pieces	4 = 1"	-- = Standard	A = 1" Port Angle Single Check Valve F = 3/4" Port Angle Dual Check Valve (ASSE 1024) G = Angle Lockwing Plug Valve K = 1" Port Angle Lockwing Ball Valve N = Flanged Tubing with Meter Nut P = 1" Port Angle Dual Check Valve (ASSE 1024) Q = Standard Port Angle Lockwing Ball Valve Z = Brass Elbow	D = Double purpose union (Flare or FNPT) (1") L = Less nut or connection & nut (1") G = "G" CTS union (1") M = MNPT Union (1" & 1 1/4") Q = "Q" CTS Union (1") S = Solder Union (1") T = "T" CTS Union (1") 2 = "-22" CTS MacPak Union (1")		4 = 1" 5 = 1 1/4"

### OPTIONS

- Assemblies shipped with two meter gaskets.
- Insert stiffeners are required on all flexible plastic connections.
- **Not all combinations available, contact factory with your requirements.**
- **MOST METER SETTERS ARE MADE TO ORDER AND ARE NOT RETURNABLE.**
- **Please verify with the factory that the model number you have configured is available and meets your requirements.**

Copper Meter Insetters





## 743 Series

FOR 5/8", 5/8" X 3/4", 3/4", OR 1" METERS

"M" Style - Union x Union



Model 743-4--QFDD 44

Part No.	5/8" Meter Size	Carton PCS/WT	Price	Part No.	5/8" x 3/4" Meter Size	Carton PCS/WT	Price
5139-237	743-1----DD 33	8/29	\$150.55	5139-239	743-2----DD 33	8/32	\$150.55

Part No.	3/4" Meter Size	Carton PCS/WT	Price	Part No.	1" Meter Size	Carton PCS/WT	Price
5139-241	743-3----DD 33	8/30	\$163.95	5149-168	743-4----DD 44	4/24	\$244.15

### Inlet / Outlet Option Adders (Price per end):

5/8", 5/8" x 3/4", or 3/4" Meters

Option	Size	List	Size	List
B - "-3G" PEP grip union	3/4"	\$55.37		
C - Copper flare union	3/4"	\$26.86	1"	\$48.33
D - Double Purpose union (Flare or FNPT)	3/4"	N/C	1"	\$13.40
F - FNPT union	1/2"	\$13.93	1"	\$12.52
G - "G" CTS union	3/4"	\$19.17	1"	\$43.11
H - "H" CTS Handy Loc union	3/4"	\$23.61		
J - C903 type union	3/4"	\$52.27		
L - Less end connection	3/4"	-\$19.64		
M - MNPT union	3/4"	N/C	1"	\$12.52
Q - "Q" CTS union	3/4"	\$19.17	1"	\$43.11
S - Solder union	3/4"	N/C	1"	\$6.51
T - "T" CTS union	3/4"	\$19.17	1"	\$43.11
Z - "-3Q" PEP pipe union	3/4"	\$55.37		
2 - "-22" CTS union	3/4"	\$19.17	1"	\$43.11
3 - "-33" PEP union	3/4"	\$55.37		
4 - "-44" PVC union	3/4"	\$55.37		
5 - "-55" IP union	3/4"	\$55.37		

### 1" Meters

Option	Size	List
D - Double Purpose union (Flare or FNPT)	1"	N/C
G - "G" CTS McGrip union	1"	\$10.74
J - C903 type union	1"	\$45.53
L - Less end connection	1"	-\$28.87
M - MNPT union	1"	N/C
Q - "Q" CTS union	1"	\$34.82
S - Solder union	1"	N/C
T - "T" CTS union	1"	\$34.82
2 - "-22" CTS union	1"	\$34.82

### Less Saddle Nut

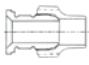
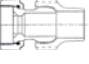












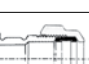


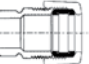


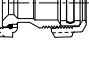


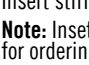


Options					
	1 5/8"	2 5/8" x 3/4"	3 3/4"	4 1"	
Standard Ball Valve	Q	\$83.78	\$83.78	\$83.78	\$168.10
Full Port Ball Valve	K	\$152.98	\$152.98	\$152.98	\$230.45
Plug Valve	G	\$68.94	\$68.94	\$68.94	\$105.69
Single Check Valve	A	\$76.06	\$76.06	\$76.06	\$91.41
Dual Check - ASSE - Standard	F	\$153.13	\$153.13	\$153.13	\$145.22
Dual Check - Cartridge	F* x 995	See "F" above	See "F" above	See "F" above	See "F" above
Dual Check - Cascading	F* x 992	\$139.73	\$139.73	\$139.73	\$145.23
Dual Check - ASSE - Full Port	P	See "F" above	See "F" above	See "F" above	\$265.79
Meter Swivel Nut	N	N/A	N/A	N/A	N/A



## Union End Pieces

5/8", 5/8" x 3/4", 3/4", or 1"

(Series 720, 723, 724, 725, 726, 730, 739, 743, 750, 753, 754, 755, 756, 760, 761, 762, 763, 770)

MODEL	PART NO.	DESCRIPTION	LIST	MODEL	PART NO.	DESCRIPTION	LIST	
<b>3/4" Connections</b>				<b>720 series only</b>				
	720-3B3ASY	5145-495	3/4" -3G PEP-7 endpiece with union nut & gasket	\$66.14	720-323	5149-254	3/4" "-22" CTS Comp endpiece	\$29.86
	720-3C3	5149-253	3/4" Flare endpiece	\$39.04	720-323ASY	5144-358	3/4" "-22" CTS Comp endpiece with union nut & gasket	\$40.67
	720-3C3ASY	5144-359	3/4" Flare endpiece with union nut & gasket	\$49.77	720-324ASY	5149-266	1" "-22" CTS Comp endpiece with union nut & gasket	\$64.57
	720-3C4ASY	5149-264	1" Flare endpiece with union nut & gasket	\$61.07	720-333ASY	5149-267	3/4" "-33" PEP Comp endpiece with union nut & gasket	\$66.14
	720-3F1	5134-024	1/2" FNPT union endpiece	\$10.77	720-343ASY	5149-268	3/4" "-44" PVC Comp endpiece with union nut & gasket	\$66.14
	720-3F4ASY	5149-288	1" FNPT endpiece with union nut & gasket	\$36.75	720-353ASY	5149-269	3/4" "-55" IP Comp endpiece with union nut & gasket	\$66.14
	720-3D3	5149-284	3/4" Double Purpose endpiece Flare or FNPT	\$10.77	20-3N		3/4" Union nut only	\$8.40
	720-3D3ASY	5149-462	3/4" Double Purpose endpiece Flare or FNPT with union nut & gasket	\$19.64	20G3	4140-000	3/4" Double Purpose Gasket	\$0.48
	720-3G3	5192-323	3/4" "G" CTS Comp endpiece	\$29.87	<b>1" Connections</b>			
	720-3G3ASY	5144-360	3/4" "G" CTS Comp endpiece with union nut & gasket	\$40.67	720-4D4	5149-246	1" Double purpose endpiece flare or FNPT (also used on 5/8" x 3/4", 3/4" meter sets with 1" Double purpose connection)	\$17.23
	720-3G4ASY	5145-493	1" "G" CTS Comp endpiece with union nut & gasket	\$64.57	720-4D4ASY	5149-460	1" Double purpose endpiece flare or FNPT (also used on 5/8" x 3/4", 3/4" meter sets with 1" Double purpose connection) with union nut & gasket	\$30.70
	720-3H3ASY	5194-087	3/4" "H" CTS Comp endpiece with union nut & gasket	\$42.69	720-4J4		1" C903 endpiece	\$62.76
	720-3J3	5172-084	3/4" C903* Comp endpiece	\$62.94	720-4J4ASY	5172-121	1" C903 endpiece with union nut & gasket	\$62.76
	720-3J3ASY	5172-118	3/4" C903* Comp endpiece with union nut & gasket	\$71.42	720-4M4	5149-245	1" MNPT endpiece	\$17.23
	720-3M3	5149-287	3/4" MNPT endpiece	\$10.77	720-4M4ASY	5144-364	1" MNPT endpiece nut with union & gasket	\$30.70
	720-3M3ASY	5144-361	3/4" MNPT end piece union with nut & gasket	\$21.47	720-4M5	5149-370	1 1/4" MNPT endpiece	\$30.80
	720-3M4	5140-009	1" MNPT endpiece	\$17.23	720-4M5ASY	5144-365	1 1/4" MNPT endpiece with union nut & gasket	\$44.21
	720-3M4ASY	5144-351	1" MNPT endpiece with union nut & gasket	\$26.12	720-4Q4	5149-480	1" "Q" CTS Comp endpiece	\$34.83
	720-3S3	5149-289	3/4" Solder endpiece	\$10.77	720-4Q4ASY	5149-478	1" "Q" CTS Comp endpiece with union nut & gasket	\$49.08
	720-3S3ASY	5144-362	3/4" Solder endpiece with union nut & gasket	\$21.47	720-4S4	5149-247	1" Solder endpiece	\$17.23
	720-3S4	5120-039	1" Solder endpiece	\$17.23	720-4S4ASY	5144-366	1" Solder endpiece with union nut & gasket	\$30.70
	720-3S4ASY	5149-482	1" Solder endpiece with union nut & gasket	\$26.12	720-4T4	5149-492	1" "T" CTS Comp endpiece	\$34.83
	720-3Q3	5182-144	3/4" "Q" CTS Comp endpiece	\$29.86	720-424ASY	5149-479	1" "-22" CTS Comp endpiece with union nut & gasket	\$49.08
	720-3Q4ASY	5145-494	1" "Q" CTS Comp endpiece with union nut & gasket	\$64.56	20-4N	4149-244	1" Union nut	\$13.46
	720-3Q3ASY	5182-365	3/4" "Q" CTS Comp endpiece with union nut & gasket	\$38.25	20G4	4140-001	1" Double purpose gaskets	\$0.78
	720-3T3	5149-252	3/4" "T" CTS Comp endpiece	\$29.86				
	720-3T3ASY	5144-363	3/4" "T" CTS Comp endpiece with union nut & gasket	\$40.67				
	720-3T4ASY	5149-265	1" "T" CTS Comp endpiece with union nut	\$64.57				
	720-3Z3ASY	5141-472	3/4" "3Q" PEP Comp endpiece with	\$66.14				

### OPTIONS

- Insert stiffeners are required on all flexible plastic connections.
- **Note:** Insetters normally supplied with end connections. The table above is for ordering replacement couplings.

Note: Connections require gasket union nut connector

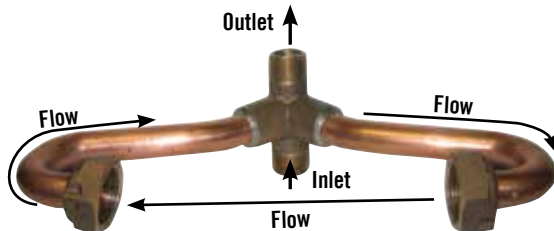


## 744 Series

5/8", 5/8" x 3/4", 3/4", or 1" | "PU" Style | Less Valves  
 MNPT Thread x MNPT Thread

The A.Y. McDonald 744 series "PU Style" meter inside setting offers integral Male Iron Pipe Thread inlet and outlet end connection configurations with additional options for shut off or check valves.

To order "PU" Style: Model No. **744-2** means:



**744**

Series  
|  
744

**-**

Style  
|  
- = Standard

Q = PU style setter with K style tube in left hand configuration see page 389

X = PU style setter with K style tube in right hand configuration

**2**

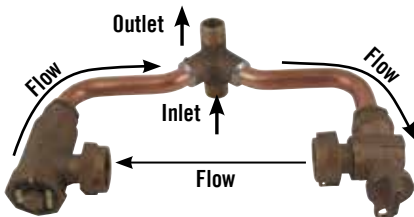
Meter Size

1 = 5/8" - 3/4" MNPT Integral  
 2 = 5/8" x 3/4" - 3/4" MNPT Integral  
 3 = 3/4" - 3/4" MNPT Integral  
 4 = 1" - 1" MNPT Integral

Part No.	5/8" Meter Size	Carton PCS/WT	Price
5157-047	744-1	8/20	\$96.43

Part No.	5/8" x 3/4" Meter Size	Carton PCS/WT	Price	Part No.	3/4" Meter Size	Carton PCS/WT	Price	Part No.	1" Meter Size	Carton PCS/WT	Price
5157-048	744-2	8/24	\$103.75	5157-049	744-3	8/28	\$126.19	5157-050	744-4	4/18	\$296.62

## Meter Settings with Integral Valves



To order "PU" Style: Model No. **744-2--QF** above means:

**744**

Series  
|  
744

**-**

Style  
|  
- = Standard  
Q = PU style setter with K style tubes, see page 389.  
X = PU style setter with K style tube in right hand configuration

**2**

Meter Size  
|  
1 = 5/8"  
2 = 5/8" x 3/4"  
3 = 3/4"  
4 = 1"

**--**

Meter Height  
|  
-- = Standard

### Less Saddle Nut

Options		1 2 3 4			
		5/8"	5/8" x 3/4"	3/4"	1"
Standard Ball Valve	Q	\$83.78	\$83.78	\$83.78	\$168.10
Full Port Ball Valve	K	\$152.98	\$152.98	\$152.98	\$230.46
Plug Valve	G	\$68.94	\$68.94	\$68.94	\$105.69
Single Check Valve	A	\$76.06	\$76.06	\$76.06	\$91.41
Dual Check - ASSE	F	\$153.13	\$153.13	\$153.13	\$145.22
Dual Check - ASSE - Full Port	P	See F Above	See F Above	See F Above	\$265.79
Dual Check - Cascading	F* x 992	\$139.73	\$139.73	\$139.73	\$145.23
Meter Swivel Nut	N	N/C	N/C	N/C	N/C

INLET OUTLET

**QF**

### Inlet and Outlet Valves

A = 3/4" & 1" Port Angle Single Check Valve  
 F = 3/4" Port Angle Dual Check Valve (ASSE 1024)  
 G = Angle Lockwing Plug Valve  
 K = 3/4" & 1" Port Angle Lockwing Ball Valve  
 N = Flanged Tubing with Meter Nut  
 P = 1" Port Angle Dual Check Valve (ASSE 1024) For 1" only  
 Q = Standard Port Angle Lockwing Ball Valve  
 Z = Brass Elbow

### OPTIONS

- Assemblies shipped with two meter gaskets.
- Inlet / Outlet Options: MNPT Thread x MNPT Thread.
- **Not all combinations available, contact factory with your requirements.**
- **MOST METER SETTERS ARE MADE TO ORDER AND ARE NOT RETURNABLE.**
- **Please verify with the factory that the model number you have configured is available and meets your requirements.**



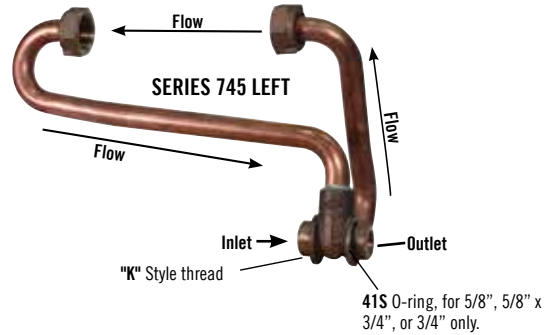
## 745 Series

5/8", 5/8" x 3/4", 3/4", or 1" | "PZ" Style - Left Offset | Less Valves

The A.Y. McDonald 745 series "PZ Style" meter inside setting offers left offset configuration for confined space installations along with additional options for shut off or check valves. Cut in style end connections are available to connect to varying service line materials. The special inlet and outlet thread and o-ring seal combination offers quick, leak free connections.

To order "PZ" Style: Model No. **745-2** above means:

<b>745</b>	<b>-</b>	<b>2</b>
Series	Style	Meter Size
745	-- = Standard	1 = 5/8" "K" Thread 2 = 5/8" x 3/4" "K" Thread 3 = 3/4" "K" Thread 4 = 1" (1 1/4" MNPT In/Out)



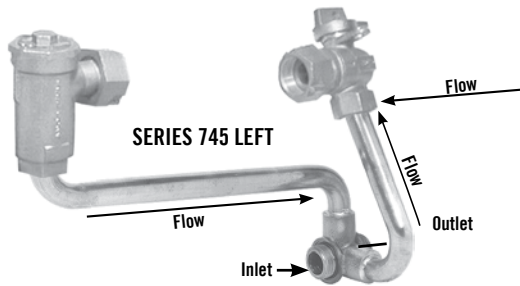
Part No.	5/8" Meter Size	Carton PCS/WT	Price
5157-053	745-1	6/17	\$119.57

Part No.	5/8" x 3/4" Meter Size	Carton PCS/WT	Price
5157-054	745-2	6/18	\$132.17

Part No.	3/4" Meter Size	Carton PCS/WT	Price
	745-3	6/26	\$142.89

Part No.	1" Meter Size	Carton PCS/WT	Price
	745-4	6/38	\$302.61

### Meter Settings with Integral Valves



#### Less Saddle Nut

Options		1	2	3	4
		5/8"	5/8" x 3/4"	3/4"	1"
Standard Ball Valve	Q	\$83.78	\$83.78	\$83.78	\$168.10
Full Port Ball Valve	K	\$152.98	\$152.98	\$152.98	\$230.46
Plug Valve	G	\$68.94	\$68.94	\$68.94	\$105.69
Single Check Valve	A	\$76.06	\$76.06	\$76.06	\$91.41
Dual Check - ASSE	F	\$153.13	\$153.13	\$153.13	\$145.22
Dual Check - ASSE - Full Port	P	See F Above	See F Above	See F Above	\$265.79
Dual Check - Cascading	F* x 992	\$139.73	\$139.73	\$139.73	\$145.23
Meter Swivel Nut	N	N/C	N/C	N/C	N/C

To order "PZ" Style: Model No. **745-2--QF** above means:

<b>745</b>	<b>-</b>	<b>2</b>	<b>--</b>	<b>QF</b>
Series	Style	Meter Size	Meter Height	Inlet and Outlet Valves
745	-- = Standard	1 = 5/8" "K" Thread 2 = 5/8" x 3/4" "K" Thread 3 = 3/4" "K" Thread 4 = 1" (1 1/4" MNPT In/Out)	-- = Standard	INLET OUTLET

### OPTIONS

- Assemblies shipped with two meter gaskets.
- Valves and Compression assemblies ordered separately, see page 390.
- Inline dual check backflow valves available for 5/8", 5/8" x 3/4" and 3/4" "PZ" style insetters, see page 390.
- **Not all combinations available, contact factory with your requirements.**
- **MOST METER SETTERS ARE MADE TO ORDER AND ARE NOT RETURNABLE.**
- **Please verify with the factory that the model number you have configured is available and meets your requirements.**

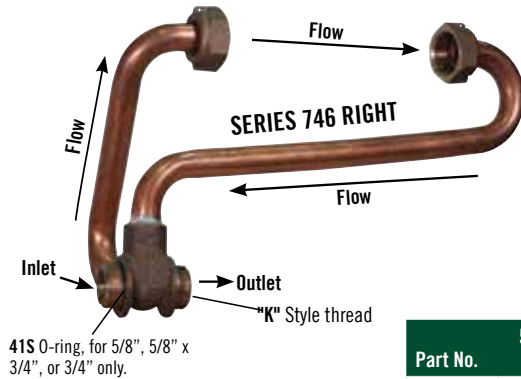
- A = 3/4" & 1" Port Angle Single Check Valve
- F = 3/4" Port Angle Dual Check Valve (ASSE 1024)
- G = Angle Lockwing Plug Valve
- K = 3/4" & 1" Port Angle Lockwing Ball Valve
- N = Flanged Tubing with Meter Nut
- P = 1" Port Angle Dual Check Valve (ASSE 1024) For 1" only
- Q = Standard Port Angle Lockwing Ball Valve
- Z = Brass Elbow



# 746 Series

5/8", 5/8" x 3/4", 3/4", or 1" | "PZ" Style - Right Offset | Less Valves

The A.Y. McDonald 746 series "PZ Style" meter inside setting offers right offset configuration for confined space installations along with additional options for shut off or check valves. Cut in style end connections are available to connect to varying service line materials. The special inlet and outlet thread and o-ring seal combination offers quick, leak free connections.



To order "PZ" Style: Model No. **746-2** above means:

<b>746</b>	<b>-</b>	<b>2</b>
Series	Style	Meter Size
746	- = Standard	1 = 5/8" "K" Thread 2 = 5/8" x 3/4" "K" Thread 3 = 3/4" "K" Thread 4 = 1" (1 1/4" MNPT In/Out)

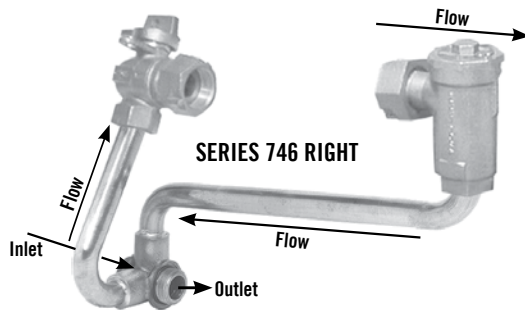
Part No.	5/8" x 3/4" Meter Size	Carton PCS/WT	Price
5157-058	746-2	6/18	\$132.17

Part No.	5/8" Meter Size	Carton PCS/WT	Price
5157-057	746-1	6/17	\$119.57

Part No.	3/4" Meter Size	Carton PCS/WT	Price
	746-3	6/26	\$142.89

Part No.	1" Meter Size	Carton PCS/WT	Price
	746-4	6/38	\$302.61

## Meter Settings with Integral Valves



### Less Saddle Nut

Options		1	2	3	4
		5/8"	5/8" x 3/4"	3/4"	1"
Standard Ball Valve	Q	\$83.78	\$83.78	\$83.78	\$168.10
Full Port Ball Valve	K	\$152.98	\$152.98	\$152.98	\$230.46
Plug Valve	G	\$68.94	\$68.94	\$68.94	\$105.69
Single Check Valve	A	\$76.06	\$76.06	\$76.06	\$91.41
Dual Check - ASSE	F	\$153.13	\$153.13	\$153.13	\$145.22
Dual Check - ASSE - Full Port	P	See F Above	See F Above	See F Above	\$265.79
Dual Check - Cascading	F* x 992	\$139.73	\$139.73	\$139.73	\$145.23
Meter Swivel Nut	N	N/C	N/C	N/C	N/C

To order "PZ" Style: Model No. **746-2--QF** above means:

<b>746</b>	<b>-</b>	<b>2</b>	<b>--</b>
Series	Style	Meter Size	Meter Height
746	- = Standard	1 = 5/8" "K" Thread 2 = 5/8" x 3/4" "K" Thread 3 = 3/4" "K" Thread 4 = 1" (1 1/4" MNPT In/Out)	-- = Standard

INLET    OUTLET

**QF**

Inlet and Outlet Valves

- A = 3/4" & 1" Port Angle Single Check Valve
- F = 3/4" Port Angle Dual Check Valve (ASSE 1024)
- G = Angle Lockwing Plug Valve
- K = 3/4" & 1" Port Angle Lockwing Ball Valve
- N = Flanged Tubing with Meter Nut
- P = 1" Port Angle Dual Check Valve (ASSE 1024) For 1" only
- Q = Standard Port Angle Lockwing Ball Valve
- Z = Brass Elbow

## OPTIONS

- Assemblies shipped with two meter gaskets.
- Valves and Compression assemblies ordered separately, see page 390.
- Inline dual check backflow valves available for 5/8", 5/8" x 3/4" and 3/4" "PZ" style insetters, see page 390.
- **Not all combinations available, contact factory with your requirements.**
- **MOST METER SETTERS ARE MADE TO ORDER AND ARE NOT RETURNABLE.**
- **Please verify with the factory that the model number you have configured is available and meets your requirements.**

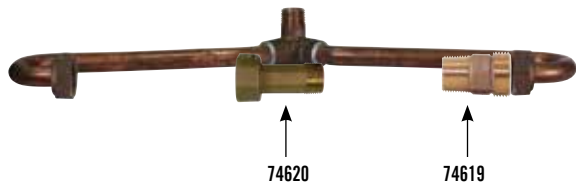
## 749 Series - Inline Tandem

5/8", 5/8" x 3/4" or 3/4" | "W" Style MNPT Inlet/Outlet

The A.Y. McDonald 749 series "W Style" meter inside tandem setting offers integral Male Iron Pipe Thread inlet and outlet end connections that accept a variety of female couplings or valves with additional options for shut off or check valves plumbed into the tubing to accept inline, a meter and a pressure regulating device. Please supply device length and end connection configuration when ordering.

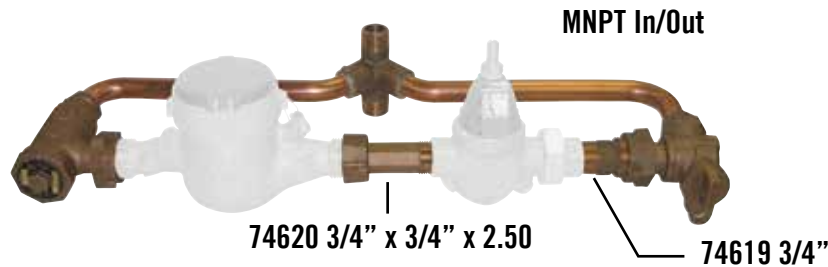


**Model Number Example**  
749 - 2 17 3/4



To order "W" Style: Model No. **749-2 17 3/4** means:

<b>749</b>	-	<b>2</b>		<b>17 3/4</b>
Series   749 "W" Style	Style   -- = Standard D = 7/8" tube (Not available for 5/8" meters with flange)	Meter Size   1 = 5/8" - 3/4" MNPT Inlet/Outlet 2 = 5/8" x 3/4" - 3/4" MNPT Inlet/Outlet 3 = 3/4" - 3/4" MNPT Inlet/Outlet	Space   -- = with integral valves	Spread Between Flanges



**Model Number Example**  
749 - 2 --QF x17 3/4

To order "W" Style: Model No. **749-2--QF x17 3/4** means:

<b>749</b>	-	<b>2</b>	--	<b>QF</b>		<b>x17 3/4</b>
Series   749 "W" Style	Style   -- = Standard D = 7/8" tube (Not available for 5/8" meters with flange)	Meter Size   1 = 5/8" - 3/4" MNPT Inlet/Outlet 2 = 5/8" x 3/4" - 3/4" MNPT Inlet/Outlet 3 = 3/4" - 3/4" MNPT Inlet/Outlet	Space   -- = with integral valves	Inlet and Outlet Valves   A = 3/4" Port Angle Single Check Valve F = 3/4" Port Angle Dual Check Valve (ASSE 1024) G = Angle Lockwing Plug Valve K = 3/4" & Port Angle Lockwing Ball Valve N = Flanged Tubing with Meter Nut Q = Standard Port Angle Lockwing Ball Valve Z = Brass Elbow	Blank Space	Spread Between Flanges

### OPTIONS

- Assemblies shipped with three meter gaskets.
- Insert stiffeners are required on all flexible plastic connections.
- For setting meter and FNPT x FNPT device.
- Includes 74619 and 74620 adapters.
- Other spreads available, contact factory.
- **Not all combinations available, contact factory with your requirements.**
- **MOST METER SETTERS ARE MADE TO ORDER AND ARE NOT RETURNABLE.**
- **Please verify with the factory that the model number you have configured is available and meets your requirements.**

Model	Meter Size	Spread	Device Length
749-1	5/8"	17 3/4"	6 1/4"
749-2	5/8" x 3/4"	17 3/4"	6 1/4"
749-3	3/4"	19 1/4"	6 1/4"



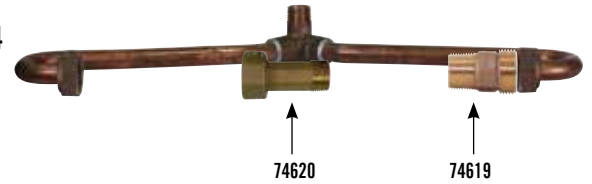


## 749 Series

FOR 5/8", 5/8" X 3/4", 3/4", OR 1" METERS

"M" Style MNPT

Model 749-2 17 3/4



Part No.	5/8" Meter Size	Length	Carton PCS/WT	Price
	749-1	Contact Factory	6/24	\$246.37

Part No.	3/4" Meter Size	Length	Carton PCS/WT	Price
	749-3	Contact Factory	6/23	\$254.74

Part No.	5/8" x 3/4" Meter Size	Length	Carton PCS/WT	Price
	749-2	14 7/8"	2/8	\$246.37
5157-397	749-2	17"	6/22	\$246.37
5157-467	749-2	17 3/8"	6/23	\$246.37
5157-005	749-2	17 3/4"	6/23	\$246.37
5157-320	749-2	19 5/8"	6/23	\$246.37

### Less Saddle Nut

Options		1	2	3
		5/8"	5/8" x 3/4"	3/4"
Standard Ball Valve	<b>Q</b>	\$77.93	\$77.93	\$77.93
Full Port Ball Valve	<b>K</b>	\$142.31	\$142.31	\$142.31
Plug Valve	<b>G</b>	\$64.13	\$64.13	\$64.13
Single Check Valve	<b>A</b>	\$70.75	\$70.75	\$70.75
Dual Check - ASSE	<b>F</b>	\$142.44	\$142.44	\$142.44
Meter Swivel Nut	<b>N</b>	N/C	N/C	N/C
Brass Elbow	<b>Z</b>	\$28.22	\$34.81	\$34.81
Dual Check - Cascading	<b>F*x992</b>	\$129.99	\$129.99	\$129.99





**WITHOUT  
YOU  
THERE IS  
NO US.**



# Pit Setters

January 11, 2022 - Revised July 2024





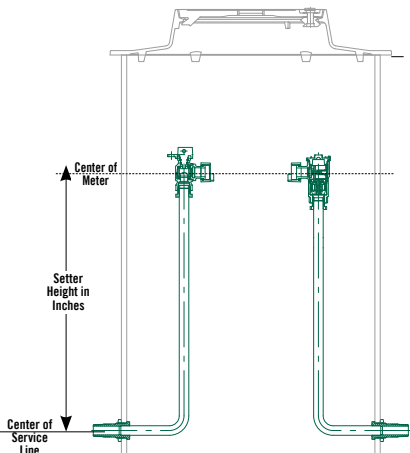
# 715 & 716 Series - Single, Dual & Tandem

Risers Only for 5/8" to 1" Meters

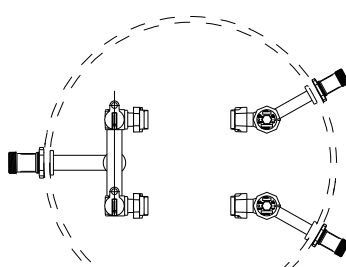
The A.Y. McDonald 715 series meter setter is designed for installation into your pit shell. Using your specific design criteria, the 715 series will provide the internal meter setting with valves, risers, and connections you call for. Pit diameter, wall thickness, and service line bury should be carefully considered when ordering the 715 series meter setter. Typical meter depth from the surface, or grade level, is 14", however you are in control when you apply this setter.

The frame and cover selection for this setting will also affect the overall height of the 715 series. As these castings will alter the distance from grade level to centerline of installed meter, and top of meter pit. For assistance in designing your 715 series meter pit, we recommend you **review the 780 series** complete meter pit assemblies or contact our customer service department.

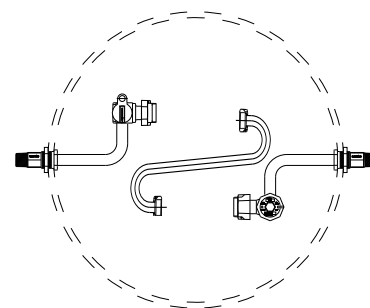
Typical 715 Series Installation



**Brass and Copper Parts ONLY - PVC Pit, brace, frame & cover are not included.**



715 Series - Dual



716 Series - Tandem

**NOTES** - All cast brass meets latest revision of AWWA C800.

## Example: Model 715-236WCPP 33X18

<b>715</b>	<b>-</b>	<b>2</b>	<b>36</b>	<b>W</b>	<b>C</b>	<b>P</b>	<b>P</b>		<b>3</b>	<b>3</b>	<b>X</b>	<b>18</b>
<b>Series Number</b>	<b>Dash Standard</b>	<b>Meter Size</b>	<b>Height</b>	<b>INLET Meter Connections</b>	<b>OUTLET Meter Connections</b>	<b>INLET Service Line Connection</b>	<b>OUTLET Service Line Connection</b>	<b>SPACE</b>	<b>INLET Size of Service Line Connection</b>	<b>OUTLET Size of Service Line Connection</b>	<b>Pit Diameter</b>	
715 = Single Meter Pit (standard)/Dual 716 = Tandem		6" minimum Available in 3" increments 1 = 5/8" 2 = 5/8" x 3/4" 3 = 3/4" 4 = 1"		<b>Series 715 Meter Inlet</b> W = Lockwing ball valve L = Plug valve X = No valve-meter nut	<b>Meter Outlet</b> C = Angle Single check valve D = Angle Dual check valve L = Plug valve W = Lockwing ball valve X = No valve-meter nut	<b>Bottom Inlet and Outlet Configuration</b> P = Male iron pipe 2 = -22 CTS T = T CTS C = Flare Other options available, contact factory.		3 = 3/4" 4 = 1"			18 = 5/8" or 5/8" x 3/4" 21 = 3/4" or 1" 24 = As Required	
<p><b>For the following pit configurations/diameters, Contact Factory:</b> 5/8" Tandem/Dual 5/8" x 3/4" Tandem/Dual 3/4" Tandem/Dual 1" Tandem/Dual</p>												

### Series 716 - Tandem

- A = Angle Single Check Valve
- F = Angle Dual Check Valve (ASSE 1024)
- N = No Valve - Meter Nut
- Q = Lockwing Ball Valve

**NOTE:** Unless specified all tandem components have meter nuts without saddles.

### For Tandem Series



**Example 716-236QAPP 33 X 21**

Tandem setters are supplied with adapters and "S" tube. Please specify device length and threads when ordering.

### Standard Tandem Device Lay Lengths (FNPT x FNPT) -

- 4" - 5" - 5/8" & 5/8" x 3/4"
- 3/4" Meters
- 5" - 6" - 1" Meters



# 715 & 716 Series - Single, Dual & Tandem

Risers Only for 5/8" to 1" Meters

**Standard Meter Lay Lengths -**

- 7.5" - 5/8" Meters
- 7.5" - 5/8" x 3/4" Meters
- 9" - 3/4" Meters
- 10.75" - 1" Meters

**Standard Tandem Device Lay Lengths (FNPT x FNPT) -**

- 4" - 5" - 5/8" & 5/8" x 3/4", 3/4" Meters
- 5" - 6" - 1" Meters

<b>715</b>	-	<b>3</b>	<b>15</b>	<b>W</b>	<b>X</b>	<b>P</b>	<b>P</b>		<b>3</b>	<b>3</b>	<b>X</b>	<b>21</b>
Series #		Meter Size	Bury Depth	Inlet	Outlet	Service Inlet Type	Service Outlet Type	Space	Service Inlet Size	Service Outlet Size		Pit Diameter

Step #1 - Choose your base pit setter

**715 Series**

Single Meter Pit Brass

Part No.	Base Model #	Meter Size	Inlet	Outlet	Service Inlet & Outlet	Pit Diameter	Base Price
	715-115WXPP 33X18	5/8"	Standard Port Ball Valve	Meter Nut	3/4" MNPT	18"	\$409.62
	715-115WXPP 33X20	5/8"	Standard Port Ball Valve	Meter Nut	3/4" MNPT	20"	\$417.89
	715-115WXPP 33X21	5/8"	Standard Port Ball Valve	Meter Nut	3/4" MNPT	21"	\$417.89
	715-215WXPP 33X18	5/8" x 3/4"	Standard Port Ball Valve	Meter Nut	3/4" MNPT	18"	\$409.62
	715-215WXPP 33X20	5/8" x 3/4"	Standard Port Ball Valve	Meter Nut	3/4" MNPT	20"	\$417.89
	715-215WXPP 33X21	5/8" x 3/4"	Standard Port Ball Valve	Meter Nut	3/4" MNPT	21"	\$417.89
	715-315WXPP 33X20	3/4"	Standard Port Ball Valve	Meter Nut	3/4" MNPT	20"	\$429.81
	715-315WXPP 33X21	3/4"	Standard Port Ball Valve	Meter Nut	3/4" MNPT	21"	\$429.81
	715-415WXPP 44X20	1"	Standard Port Ball Valve	Meter Nut	1" MNPT	20"	\$657.42
	715-415WXPP 44X21	1"	Standard Port Ball Valve	Meter Nut	1" MNPT	21"	\$657.42

**716 Series**

Tandem Meter Pit Brass

Part No.	Base Model #	Meter Size	Inlet	Outlet	Service Inlet & Outlet	Pit Diameter	Base Price
	716-115QNPP 33X18	5/8"	Standard Port Ball Valve	Meter Nut	3/4" MNPT	18"	\$537.94
	716-115QNPP 33X20	5/8"	Standard Port Ball Valve	Meter Nut	3/4" MNPT	20"	\$546.20
	716-115QNPP 33X21	5/8"	Standard Port Ball Valve	Meter Nut	3/4" MNPT	21"	\$546.20
	716-215QNPP 33X18	5/8" x 3/4"	Standard Port Ball Valve	Meter Nut	3/4" MNPT	18"	\$537.94
	716-215QNPP 33X20	5/8" x 3/4"	Standard Port Ball Valve	Meter Nut	3/4" MNPT	20"	\$546.20
	716-215QNPP 33X21	5/8" x 3/4"	Standard Port Ball Valve	Meter Nut	3/4" MNPT	21"	\$546.20
	716-315QNPP 33X20	3/4"	Standard Port Ball Valve	Meter Nut	3/4" MNPT	20"	\$558.13
	716-315QNPP 33X21	3/4"	Standard Port Ball Valve	Meter Nut	3/4" MNPT	21"	\$558.13
	716-415QNPP 44X20	1"	Standard Port Ball Valve	Meter Nut	1" MNPT	20"	\$814.71
	716-415QNPP 44X21	1"	Standard Port Ball Valve	Meter Nut	1" MNPT	21"	\$814.71

**715 Series**

Dual Meter Pit Brass - **Contact the factory for Model # & Pricing**

**Note:** \$8.34 adder for additional 3" in Pit Diameter





# 715 & 716 Series - Single, Dual & Tandem

Risers Only for 5/8" to 1" Meters

### Step #2 - Choose Your Bury Depth

Note: Contact the Factory for additional depth & diameter configurations

#### List Price Adders:

Height	Model #	5/8" Meter	5/8" x 3/4" Meter	3/4" Meter	1" Meter
18"	18	\$8.76	\$8.76	\$8.76	\$10.88
21"	21	\$17.52	\$17.52	\$17.52	\$21.74
24"	24	\$26.29	\$26.29	\$26.29	\$32.63
27"	27	\$35.03	\$35.03	\$35.03	\$43.49
30"	30	\$43.81	\$43.81	\$43.81	\$54.38
33"	33	\$52.56	\$52.56	\$52.56	\$65.24
36"	36	\$61.33	\$61.33	\$61.33	\$76.12
39"	39	\$70.10	\$70.10	\$70.10	\$86.99
42"	42	\$78.85	\$78.85	\$78.85	\$97.87
45"	45	\$87.62	\$87.62	\$87.62	\$108.73
48"	48	\$96.36	\$96.36	\$96.36	\$119.62
51"	51	\$105.12	\$105.12	\$105.12	\$130.49
54"	54	\$113.90	\$113.90	\$113.90	\$141.37
57"	57	\$122.66	\$122.66	\$122.66	\$152.22
60"	60	\$131.43	\$131.43	\$131.43	\$163.12

### Step #3 - Choose Your Meter Valves

Note: add for each Valve added to Pit Setter AND subtract the ball valve if removed from Pit Setter

#### List Price Adders:

Options - add or subtract from base setter model	Model #	1 5/8"	2 5/8" x 3/4"	3 3/4"	4 1"
Standard Ball Valve	W	\$83.78	\$83.78	\$83.78	\$168.10
Full Port Ball Valve	J	\$152.98	\$152.98	\$152.98	\$230.45
Plug Valve	L	\$68.94	\$68.94	\$68.94	\$105.69
Single Check Valve	C	\$76.06	\$76.06	\$76.06	\$91.41
Dual Check - ASSE	D	\$153.13	\$153.13	\$153.13	\$145.22
Dual Check - ASSE - Full Port	M	See "D" above	See "D" above	See "D" above	\$265.79
Dual Check - Cascading (* adds x992 to end of model)	D* X992	\$139.73	\$139.73	\$139.73	\$145.23
Meter Swivel Nut	X	N/C	N/C	N/C	N/C
Additional height in 3" increments		\$9.36	\$9.36	\$12.91	\$15.00

### Step #4 - Choose Your Service Inlet & Outlet Connections

Note: A 74754 Female Adapter can be used to convert to other types of pipe on page 211-212

Price below is per side

#### List Price Adders:

Service Inlet & Outlet	Model #	5/8" & 5/8" x 3/4" Meter	3/4" Meter	1" Meter
3/4" Male Iron Pipe	PP 33	\$0.00	\$0.00	N/A
1" Male Iron Pipe	PP 44	Contact Factory	Contact Factory	\$0.00

### Step #5 - Choose Your Service Inlet & Outlet Connections

Note: A 74754 Female Adapter can be used to convert to other types of pipe on page 213-214

#### List Price Adders (Price below is per side):

Service Inlet & Outlet	Model #	5/8" & 5/8" x 3/4" Meter	3/4" Meter	1" Meter
3/4" Male Iron Pipe Integral	PP 33	\$0.00	\$0.00	N/A
1" Male Iron Pipe Integral	PP 44	Contact Factory	Contact Factory	\$0.00
3/4" Copper Flare w/74754	CC 33	\$14.77	\$14.77	N/A
3/4" -22 CTS Compression Integral	22 33	\$16.25	\$16.25	N/A
1" -22 CTS Compression Integral	22 44	Contact Factory	Contact Factory	\$48.76
3/4" T CTS Compression Integral	TT 33	\$16.25	\$16.25	N/A
1" T CTS Compression Integral	TT 44	Contact Factory	Contact Factory	\$48.76



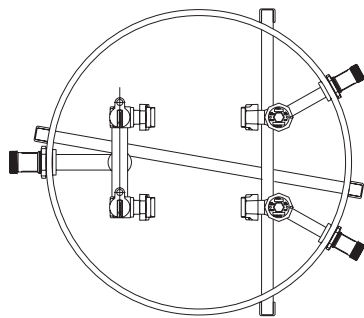
# 780 Series - Riser Style Pit Assembly

FOR 5/8" TO 1" METERS

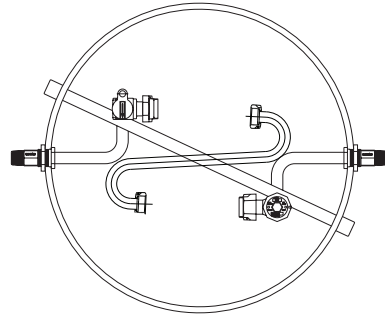
A.Y. McDonald Mfg. Co. offers a quick and easy way to install your water meter. The series 780 for threaded meters is delivered completely assembled, is fully tested prior to leaving the factory, built to your specifications, and is set into service as a unit. This unit can be installed in minutes.

The 780 series assembly includes a smooth wall PVC shell, risers, and meter valves. Various service line connection styles are available or sold separately. Also taken into consideration when sizing the series 780 pit assembly is the service line depth and the wide range of covers available and sold separately.

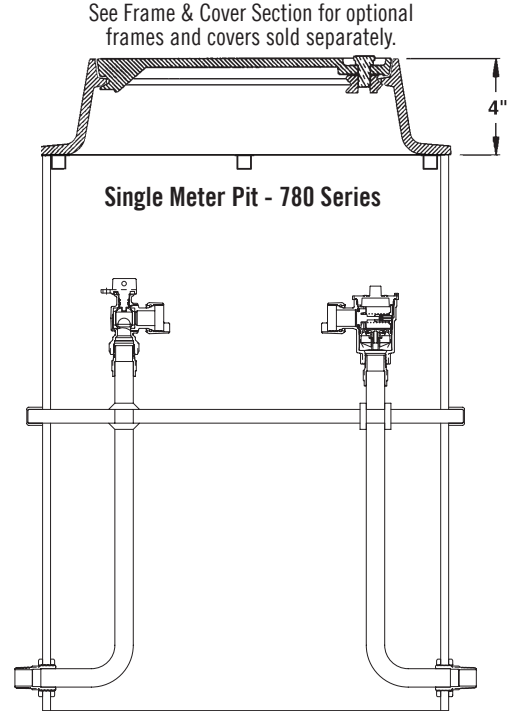
Pit Setters



Dual Meter Pit 781 Series



Tandem Meter Pit 782 Series



## 80-EXT - Pit Extensions



### 80-EXT - Sizes

Part No.	Size	Price	Part No.	Size	Price	Part No.	Size	Price	Part No.	Size	Price
4186-053	18" x 03"	\$68.36	4186-057	21" x 03"	\$74.05	4186-061	24" x 03"	\$83.54	4186-347	27" x 06"	\$130.47
4186-054	18" x 06"	\$87.34	4186-058	21" x 06"	\$102.54	4186-062	24" x 06"	\$119.63	4186-317	27" x 18"	\$242.29
4186-055	18" x 09"	\$106.32	4186-059	21" x 09"	\$131.01	4186-063	24" x 09"	\$155.68			
4186-056	18" x 12"	\$125.32	4186-060	21" x 12"	\$159.45	4186-064	24" x 12"	\$191.74			
4188-033	18" x 15"	\$193.66	4186-298	21" x 15"	\$187.94						
4186-326	18" x 24"	\$144.29	4186-102	21" x 18"	\$216.41						

## 80-C2 - Two Piece Insulation Cushion

Part No.	Sizes	Price
4186-029	18" x 2.00	\$115.47
4186-081	20" x 2.00	\$120.44
4186-030	21" x 2.00	\$120.44
4186-031	24" x 2.00	\$144.86
4186-395	27" x 2.00	\$185.66
4186-282	36" x 2.00	\$326.78

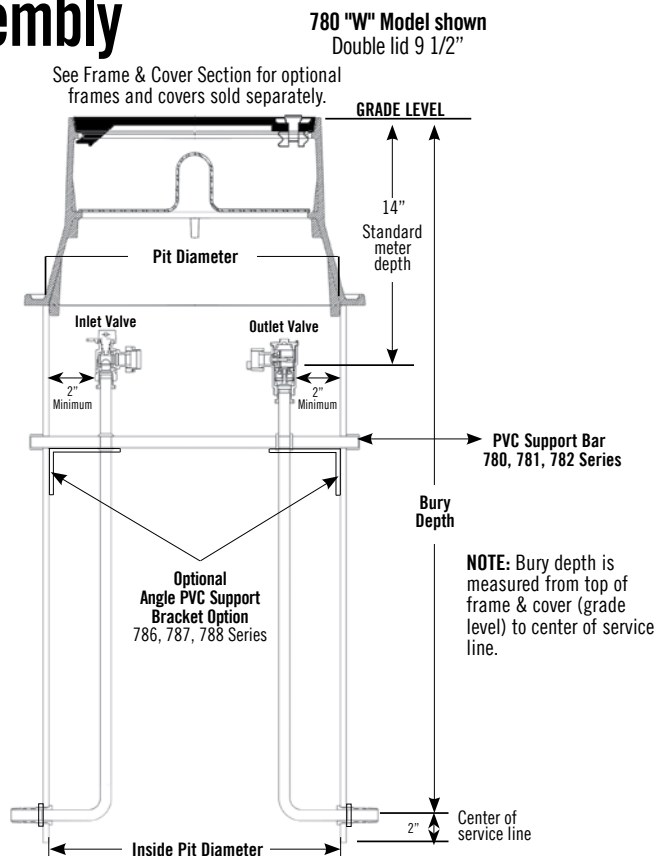
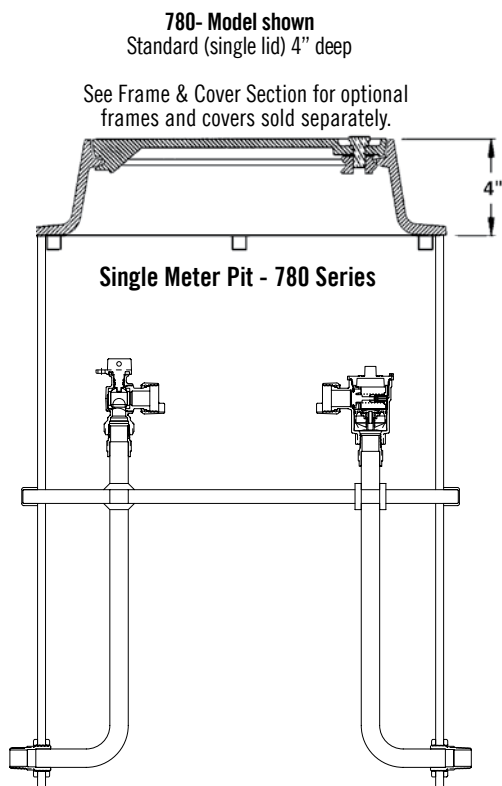


### NOTES

- The centerline of the service line connections are positioned 2" above the bottom of the pit.
- The centerline of the meter will be 14" below grade level.
- A PVC support cross tube is tied to the copper tube risers and permanently attached to the pit walls.
- Cast brass jam nuts installed to secure riser tubes to exterior of the PVC frame.
- Recommend minimum 2" clearance between the pit wall and any part of the setting to prevent frost jump.
- Cast iron frame, and cover, inner lid, or insulating options are provided independently of pit setter.
- All cast brass meets latest revision of AWWA C800.
- All pipe, valves, and fittings associated with the PVC pit setter shall be factory assembled and tested.
- Use 782 series for installation with secondary device such as pressure regulators or other service line connections.



# 780 Series - Riser Style Pit Assembly



Following is a general guide to the A.Y. McDonald Mfg. Co. Riser Style Pit Setter model numbering system.

### Example: Model 780W236WDPP 33X18



- |   |   |  |   |  |   |   |
|---|---|--|---|--|---|---|
| <p><b>780</b> = Single Meter Pit<br/> <b>781</b> = Dual Meter Pit<br/> <b>**782</b> = Tandem Meter Pit<br/> <b>*786</b> = Single Meter Pit w/Angle PVC Support Brackets<br/> <b>*787</b> = Dual Meter Pit w/Angle PVC Support Brackets<br/> <b>**788</b> = Tandem Meter Pit w/ Angle PVC Support Brackets</p> | <p><b>W</b> = Double lid 9 1/2"</p> <p><b>Meter Size</b><br/>                 1 = 5/8"<br/>                 2 = 5/8" x 3/4"<br/>                 3 = 3/4"<br/>                 4 = 1"</p> | <p><b>Bury Depth</b><br/>                 24" minimum Available in 6" increments</p> | <p><b>Meter Connections</b><br/> <b>Series 780 Meter Inlet</b><br/>                 J = Lockwing Full Port Ball Valve<br/>                 W = Lockwing Ball Valve<br/>                 L = Plug Valve<br/>                 X = No Valve-Meter Nut</p> <p><b>Meter Outlet</b><br/>                 C = Angle Single Check Valve<br/>                 D = Angle Dual Check Valve<br/>                 J = Lockwing Full Port Ball Valve<br/>                 L = Plug Valve<br/>                 M = 1" Port Angle Dual Check<br/>                 W = Lockwing Ball Valve<br/>                 X = No Valve-Meter Nut</p> | <p><b>Service Line Connection</b><br/>                 P = Male iron pipe<br/>                 2 = -22 CTS<br/>                 T = T CTS<br/>                 Other options available, contact factory.</p> | <p><b>Size of Service Line Connection</b><br/>                 Inlet and Outlet Connection<br/>                 3 = 3/4"<br/>                 4 = 1"</p> <p><b>Bottom Inlet and Outlet Configuration</b><br/>                 P = Male iron pipe<br/>                 2 = -22 CTS<br/>                 T = T CTS<br/>                 Other options available, contact factory.</p> | <p><b>Pit Diameter</b><br/>                 18 = 5/8" or 5/8" x 3/4"<br/>                 21 = 3/4" or 1"<br/>                 24 = As Required</p> <p><b>**Tandem Setting Device Length and Configuration must be supplied by customer</b></p> <p><b>For the following pit configurations/diameters, Contact Factory:</b><br/>                 5/8" Tandem/Dual<br/>                 5/8" x 3/4" Tandem/Dual<br/>                 3/4" Tandem/Dual<br/>                 1" Tandem/Dual</p> |
|---|---|--|---|--|---|---|

\* Priced same as 780, 781, & 782

- Series 782 - Tandem**  
**A** = Angle Single Check Valve  
**F** = Angle Dual Check Valve (ASSE 1024)  
**G** = Lockwing Plug Valve  
**K** = Lockwing Full Port Ball Valve  
**N** = No Valve - Meter Nut  
**P** = 1" Lockwing Angle Dual Check  
**Q** = Lockwing Ball Valve

**NOTE:** Unless specified all tandem components have meter nuts without saddles.

#### For Tandem Series



**Example 782-236QFPP 33 X 21**

Tandem setters are supplied with adapters "S" tube required. Please specify device length and threads when ordering.

- Standard device for 5/8", 5/8" x 3/4", 3/4" = 4" - 5" Long FNPT x FNPT
- Standard device for 1" = 5" - 6" Long FNPT x FNPT



# 780 Series - Riser Style Pit Assembly

5/8", 5/8" x 3/4", 3/4", & 1" METERS

**Standard Meter Lay Lengths -**

- 7.5" - 5/8" Meters
- 7.5" - 5/8" x 3/4" Meters
- 9" - 3/4" Meters
- 10.75" - 1" Meters

**782 Series**

**Standard Tandem Device Lay Lengths (FNPT x FNPT) -**

- 4" - 5" - 5/8" & 5/8" x 3/4", 3/4" Meters
- 5" - 6" - 1" Meters

Pit Setters

<b>780</b>	<b>-</b>	<b>3</b>	<b>36</b>	<b>W</b>	<b>X</b>	<b>P</b>	<b>P</b>		<b>3</b>	<b>3</b>	<b>X</b>	<b>21</b>	
Series #	Frame Type	Meter Size	Bury Depth	Inlet	Outlet	Service Inlet Type	Service Outlet Type	Space	Service Inlet Size	Service Outlet Size		Pit Diameter	Specials

Step #1 - Choose your base pit setter

**780/786 Series**  
Single Meter Pit Setter

Part No.	Base Model #	Meter Size	Inlet	Outlet	Service Inlet & Outlet	Pit Diameter	Base Price
	780-136WXPP 33X18	5/8"	Standard Port Ball Valve	Meter Nut	3/4" MNPT	18"	\$738.73
	780-136WXPP 33X21	5/8"	Standard Port Ball Valve	Meter Nut	3/4" MNPT	21"	\$783.05
	780-136WXPP 33X24	5/8"	Standard Port Ball Valve	Meter Nut	3/4" MNPT	24"	\$868.75
5186-397	780-236WXPP 33X18	5/8" x 3/4"	Standard Port Ball Valve	Meter Nut	3/4" MNPT	18"	\$738.73
	780-236WXPP 33X21	5/8" x 3/4"	Standard Port Ball Valve	Meter Nut	3/4" MNPT	21"	\$783.05
	780-236WXPP 33X24	5/8" x 3/4"	Standard Port Ball Valve	Meter Nut	3/4" MNPT	24"	\$868.75
	780-336WXPP 33X21	3/4"	Standard Port Ball Valve	Meter Nut	3/4" MNPT	21"	\$794.86
	780-336WXPP 33X24	3/4"	Standard Port Ball Valve	Meter Nut	3/4" MNPT	24"	\$880.56
	780-436WXPP 44X21	1"	Standard Port Ball Valve	Meter Nut	1" MNPT	21"	\$992.00
	780-436WXPP 44X24	1"	Standard Port Ball Valve	Meter Nut	1" MNPT	24"	\$1,127.29

**781/787 Series**  
Dual Meter Pit Setter

Part No.	Base Model #	Meter Size	Inlet	Outlet	Service Inlet & Outlet	Pit Diameter	Base Price
	781-136WXPP 43X21	5/8"	Standard Port Ball Valve	Meter Nut	1" x 3/4" MNPT	21"	\$1,617.81
	781-136WXPP 43X24	5/8"	Standard Port Ball Valve	Meter Nut	1" x 3/4" MNPT	24"	\$1,703.49
	781-236WXPP 43X21	5/8" x 3/4"	Standard Port Ball Valve	Meter Nut	1" x 3/4" MNPT	21"	\$1,617.81
	781-236WXPP 43X24	5/8" x 3/4"	Standard Port Ball Valve	Meter Nut	1" x 3/4" MNPT	24"	\$1,703.49
	781-336WXPP 43X24	3/4"	Standard Port Ball Valve	Meter Nut	1" x 3/4" MNPT	24"	\$1,715.31

**782/788 Series**  
Tandem Meter Pit Setter - *Note: A PRV length and connection type are required*

Part No.	Base Model #	Meter Size	Inlet	Outlet	Service Inlet & Outlet	Pit Diameter	Base Price
	782-136QNPP 33X21	5/8"	Standard Port Ball Valve	Meter Nut	3/4" MNPT	21"	\$920.45
	782-136QNPP 33X24	5/8"	Standard Port Ball Valve	Meter Nut	3/4" MNPT	24"	\$1,006.13
	782-236QNPP 33X21	5/8" x 3/4"	Standard Port Ball Valve	Meter Nut	3/4" MNPT	21"	\$920.45
	782-236QNPP 33X24	5/8" x 3/4"	Standard Port Ball Valve	Meter Nut	3/4" MNPT	24"	\$1,006.13
	782-336QNPP 33X24	3/4"	Standard Port Ball Valve	Meter Nut	3/4" MNPT	24"	\$1,019.44
	782-436QNPP 44X24	1"	Standard Port Ball Valve	Meter Nut	1" MNPT	24"	\$1,533.58



# 780 Series - Riser Style Pit Assembly

5/8", 5/8" X 3/4", 3/4", & 1" METERS

Step #2 - Choose Your Lid Type  
 Note: Frame & Cover sold separately

List Price Adders:

Description	Model #	18" Pit Diameter	21" Pit Diameter	24" Pit Diameter
Standard Frame	-	\$0.00	\$0.00	\$0.00
W-Style Frame & Cover	W	-\$62.06	-\$57.72	-\$62.06

Step #3 - Choose Your Bury Depth

Note: Contact the Factory for additional depth & diameter configurations

List Price Adders:

Height	Model #	18" Pit Diameter		21" Pit Diameter		24" Pit Diameter	
		5/8", 5/8" x 3/4", & 3/4" Meter	5/8", 5/8" x 3/4", & 3/4" Meter	5/8", 5/8" x 3/4", 1" Meter	5/8", 5/8" x 3/4", 1" Meter	5/8", 5/8" x 3/4", 1" Meter	5/8", 5/8" x 3/4", 1" Meter
36"	36"	\$0.00	\$0.00	\$0.00	\$0.00	\$0.00	\$0.00
42"	42"	\$66.48	\$75.34	\$101.94	\$88.64	\$116.72	\$116.72
48"	48"	\$132.97	\$150.71	\$203.88	\$177.28	\$233.44	\$233.44
54"	54"	\$199.44	\$226.05	\$305.83	\$265.94	\$350.15	\$350.15
60"	60"	\$265.94	\$301.39	\$407.77	\$354.59	\$466.86	\$466.86
66"	66"	\$332.43	\$376.75	\$509.71	\$443.23	\$583.59	\$583.59
72"	72"	\$398.91	\$452.10	\$611.67	\$531.88	\$700.30	\$700.30
78"	78"	\$465.39	\$527.45	\$713.60	\$620.52	\$817.02	\$817.02
84"	84"	\$531.88	\$602.80	\$815.55	\$709.18	\$933.76	\$933.76
90"	90"	\$598.36	\$678.15	\$917.49	\$797.82	\$1,050.46	\$1,050.46
96"	96"	\$664.85	\$753.50	\$1,019.44	\$886.46	\$1,167.19	\$1,167.19

Step #4 - Choose Your Meter Valves

Note: add for each Valve added to Pit Setter AND subtract the ball valve if removed from Pit Setter  
 (Double adders on dual Pit Setters 781 & 787 Series)

Single Set List Price Adders:

Meter Inlet & Outlet	Tandem		5/8" & 5/8" x 3/4" Meter	3/4" Meter	1" Meter	
Meter Nut	N	X	\$0.00	\$0.00	\$0.00	
Brass Elbow	Z	Z	\$31.02	\$36.93	\$54.67	
Lockwing Plug Valve	G	L	\$65.00	\$62.06	\$56.15	
Lockwing Ball Valve	Q	W	\$78.30	\$75.34	\$113.77	
Lockwing Full Port Ball Valve	K	J	\$147.74	\$144.78	\$175.81	
Single Check	A	C	\$70.93	\$70.93	\$42.85	
Cascading Dual Check	F	D	X992	\$131.49	\$131.49	\$101.94
Dual Check	F	D		\$143.32	\$143.32	\$206.83
1" Port Angle Dual Check	P	M		N/A	N/A	\$268.90

Step #5 - Choose Your Service Inlet & Outlet Connections

Note: A 74754 Female Adapter can be used to convert to other types of pipe on page 213-214

List Price Adders (Price below is per side):

Service Inlet & Outlet	Model #		5/8" & 5/8" x 3/4" Meter	3/4" Meter	1" Meter
3/4" Male Iron Pipe Integral	PP	33	\$0.00	\$0.00	N/A
1" Male Iron Pipe Integral	PP	44	Contact Factory	Contact Factory	\$0.00
3/4" Copper Flare w/74754	CC	33	\$14.77	\$14.77	N/A
3/4" -22 CTS Compression Integral	22	33	\$16.25	\$16.25	N/A
1" -22 CTS Compression Integral	22	44	Contact Factory	Contact Factory	\$48.76
3/4" T CTS Compression Integral	TT	33	\$16.25	\$16.25	N/A
1" T CTS Compression Integral	TT	44	Contact Factory	Contact Factory	\$48.76

Step #6 - Add for Specials

**Contact the factory**

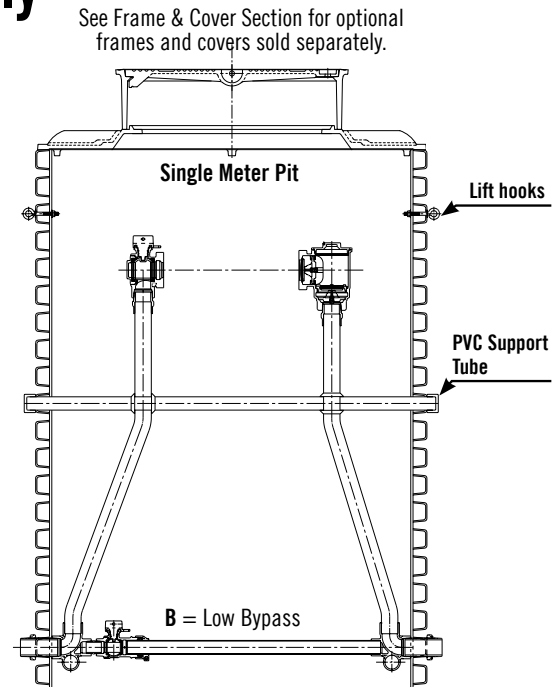
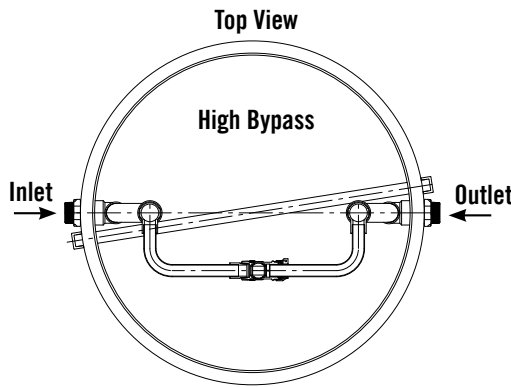


# 780 Series - Riser Style Pit Assembly

FOR 1 1/2" & 2" FLANGED METERS

A.Y. McDonald Mfg. Co. offers a quick and easy way to install your water meter. The series 780 for flanged meters is delivered completely assembled, is fully tested prior to leaving the factory, built to your specifications, and is set into service as a unit. This unit can be lifted into place with pre-installed lift hooks, and installed in minutes.

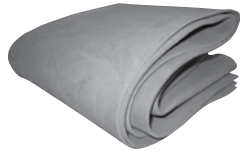
The 780 series assembly includes a corrugated PVC shell, risers, and flanged valves. Standard MNPT connections can be adapted to nearly any service line. Adapter ring and cover are sold separately.



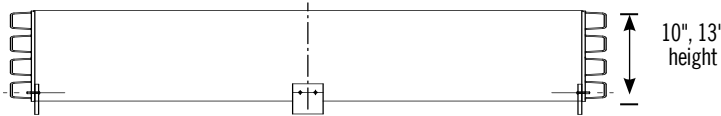
- High bypass option is offset to right side of meter and includes shut-off valve
- Dual check option available in bypass

## 80-BLK - Insulation Blanket

	List Price
48" x 48"	\$34.57



## 80CEXT - Pit Extensions



80CEXT - Sizes	List Price
4186-134 36" x 10"	\$325.05
4186-140 36" x 13"	\$389.38

## 80-C2 - Two Piece Insulation Cushion

Part No.	Sizes	Price
4186-029	18" x 2.00	\$115.47
4186-081	20" x 2.00	\$120.44
4186-030	21" x 2.00	\$120.44
4186-031	24" x 2.00	\$144.86
4186-395	27" x 2.00	\$185.66
4186-282	36" x 2.00	\$326.78



## 90-C1 - One Piece Insulation Cushion

Insulating cushion sold separately 2"

Part No.	List Price
4189-128 36" x 2"	\$269.24



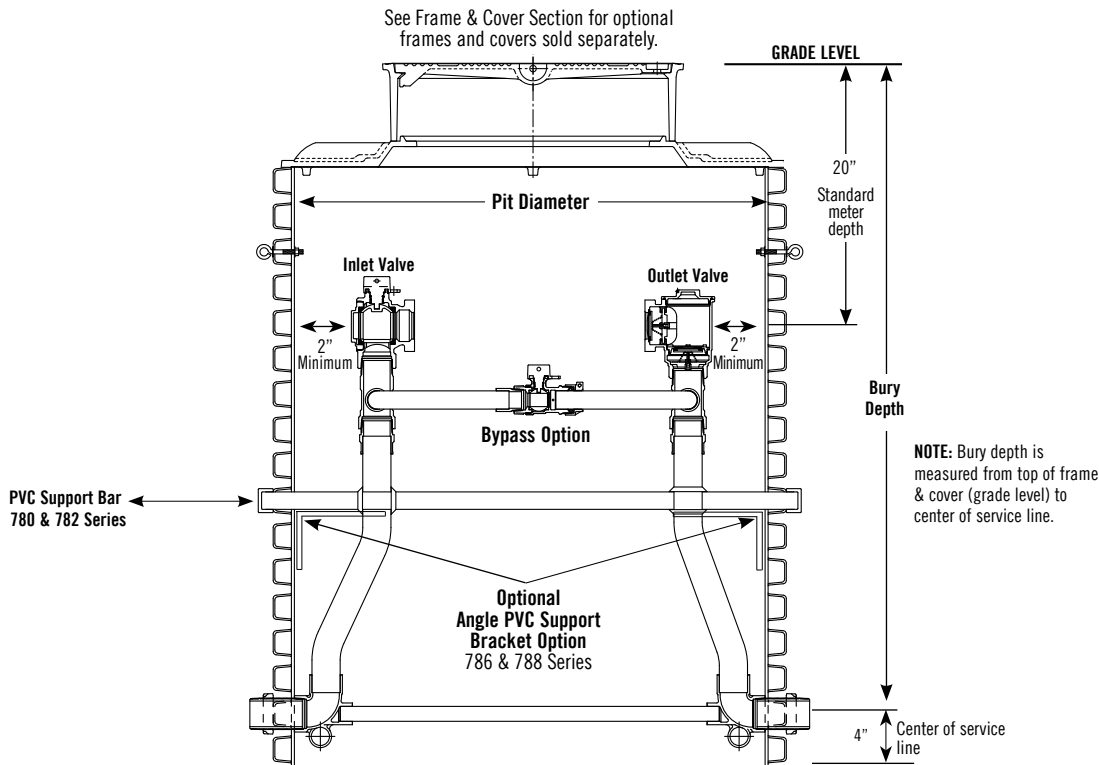
## NOTES

- The centerline of the service line connections are positioned 4" above the bottom of the pit.
- The centerline of the meter will be 20" below grade level.
- A PVC support cross tube is tied to the copper tube risers and permanently attached to the pit walls.
- Cast brass jam nuts installed to secure riser tubes to exterior of the PVC frame.
- Corrugated PVC provided on 1 1/2" and 2" meter settings.
- Recommend minimum 2" clearance between the pit wall and any part of the setting to prevent frost jump.
- Cast iron frame, and cover, inner lids or insulating options are provided independently of pit setter.
- All cast brass meets latest revision of AWWA C800.
- Risers, valves, and fittings associated with the PVC pit setter shall be at factory, assembled and tested.





# 780 Series - Riser Style Pit Assembly



Following is a general guide to the A.Y. McDonald Mfg. Co. Riser Style Pit Setter model numbering system.

## Example: Model 780R736WDPP 775X36X

<b>780</b>	<b>R</b>	<b>7</b>	<b>36</b>	<b>W</b>	<b>D</b>	<b>P</b>	<b>P</b>		<b>7</b>	<b>7</b>	<b>5</b>	<b>X</b>	<b>36</b>	<b>X</b>	
<b>Series Number</b>	<b>Dash</b>	<b>Meter Size</b>	<b>Bury Depth</b>	<b>Meter Connections</b>		<b>Service Line Connection</b>		<b>SPACE</b>	<b>Size of Service Line Connection</b>		<b>Bypass Option</b>	<b>Pit Diameter</b>		<b>**Tandem Setting Device Length and Configuration must be supplied by customer</b>	
- = Standard No bypass <b>B</b> = Low bypass <b>R</b> = High offset bypass		36" minimum Available in 6" increments <b>Meter Size</b> 6 = 1 1/2" 7 = 2"		<b>Series 780 Meter Inlet</b> <b>H</b> = Lockwing confined space ball valve <b>K</b> = Telescoping meter flange ball valve <b>W</b> = Angle lockwing ball valve		<b>Bottom Inlet and Outlet Configuration</b> <b>P</b> = Male iron pipe standard Other options available, contact factory.			<b>Inlet and Outlet Connection</b> 6 = 1 1/2" 7 = 2"		0 = No Bypass 4 = 1" 5 = 1 1/4" 6 = 1 1/2" 7 = 2"	24" = 1 1/2" 27" = 2" 30" = 2" 36" = 2"			
<b>780</b> = Single Meter Pit <b>**782</b> = Tandem Meter Pit				<b>Meter Outlet</b> <b>D</b> = Angle dual check valve <b>H</b> = Lockwing confined space ball valve <b>N</b> = Flanged elbow <b>W</b> = Angle lockwing ball valve											
<b>786</b> = Single Meter Pit w/Angle PVC Support Brackets <b>**788</b> = Tandem Meter Pit w/ Angle PVC Support Brackets															

### For Tandem Series



Example 782-736WDPP 770 X 36 X -- Device Length Tandem setters are supplied with adapters and "S" tube. Please specify device length and threads when ordering.

NOTE: Tandem device is not included and must be purchased separately.



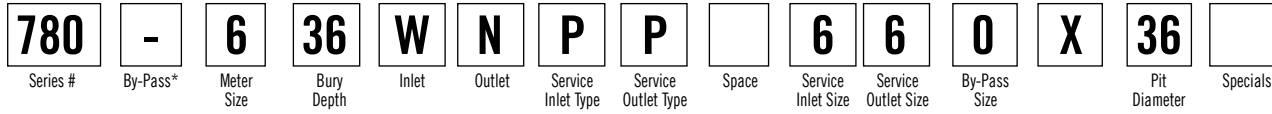
# 780 Series - Riser Style Pit Assembly

1 1/2" & 2" METERS

**Standard Meter Lay Lengths -**

13" - 1 1/2" Meters

17" - 2" Meters



**Step #1 - Choose your base pit setter**

**780/786 Series**

Single Meter Pit Setter

Part No.	Base Model #	Meter Size	Inlet	Outlet	Service Inlet & Outlet	Pit Diameter	Base Price
	780-636HNPP 660X24	1 1/2"	Full Port Ball Valve	Meter Flange	1 1/2" MNPT *	24"	\$2,032.97
	780-636WNPP 660X36	1 1/2"	Full Port Ball Valve	Meter Flange	1 1/2" MNPT	36"	\$3,643.37
	780-736HNPP 770X27	2"	Standard Port Ball Valve	Meter Flange	2" MNPT *	27"	\$2,542.68
	780-736WNPP 770X36	2"	Full Port Ball Valve	Meter Flange	2" MNPT	36"	\$4,021.61

\*Not recommended frost jump

**782/788 Series**

Tandem Meter Pit Setter - *Note: A PRV length and connection type are required*

Part No.	Base Model #	Meter Size	Inlet	Outlet	Service Inlet & Outlet	Pit Diameter	Base Price
	782-636WNPP 660X36	1 1/2"	Full Port Ball Valve	Meter Flange	1 1/2" MNPT	36"	\$4,600.76
	782-736WNPP 770X36	2"	Full Port Ball Valve	Meter Flange	2" MNPT	36"	\$5,027.74

**Step #2 - Choose Your By-Pass**

*Note: Meter Setters with Flanged Elbows are not available with a By-Pass*

**List Price Adders:**

Size	Description	Model #	1 1/2" Meter	2" Meter
N/A	No By-Pass	- 0	\$0.00	\$0.00
1 1/4"	Low Inline By-Pass	B 5	\$158.09	\$158.09
1 1/4"	High Offset By-Pass	R 5	\$497.90	\$497.90

**\*By-Pass Style**

- = No Bypass

B = Low Bypass

R = High Right Offset Bypass

All setter with bypass require outlet valve

**Step #3 - Choose Your Bury Depth**

*Note: Contact the Factory for additional depth & diameter configurations (30" Pit diameter same as 36")*

**List Price Adders:**

Height	Model # Slot 4	24" Pit Diameter		27" Pit Diameter		36" Pit Diameter	
		1 1/2" Meter	2" Meter	1 1/2" Meter	2" Meter	1 1/2" Meter	2" Meter
36"	36	\$0.00	N/A	\$0.00	\$0.00	\$0.00	\$0.00
42"	42	\$153.65	N/A	\$181.85	\$199.44	\$229.01	\$251.17
48"	48	\$307.29	N/A	\$363.72	\$398.91	\$458.00	\$502.33
54"	54	\$460.96	N/A	\$545.56	\$598.36	\$687.02	\$753.50
60"	60	\$614.62	N/A	\$727.43	\$797.82	\$916.01	\$1,004.65
66"	66	\$768.28	N/A	\$909.28	\$997.27	\$1,145.02	\$1,255.82
72"	72	\$921.92	N/A	\$1,091.14	\$1,196.73	\$1,374.02	\$1,506.99
78"	78	\$1,075.58	N/A	\$1,272.99	\$1,396.18	\$1,603.03	\$1,758.15
84"	84	\$1,229.23	N/A	\$1,454.85	\$1,595.64	\$1,832.03	\$2,009.32
90"	90	\$1,382.88	N/A	\$1,636.69	\$1,795.09	\$2,061.04	\$2,260.48
96"	96	\$1,536.53	N/A	\$1,818.56	\$1,994.55	\$2,290.03	\$2,511.66

**Step #4 - Choose Your Meter Valves**

*Note: add for each Valve added to Pit Setter AND subtract the Ball Valve if removed from Pit Setter*

**List Price Adders:**

Meter Inlet & Outlet	Model	1 1/2" Meter	2" Meter
Flanged Elbow	N	\$0.00	\$0.00
Lockwing Confined Space Ball Valve	H*	\$106.38	\$134.43
Lockwing Ball Valve	W	\$291.05	\$320.61
Dual Check	D	\$384.14	\$333.91
Dual Check with 1" Test Port	E	\$410.74	\$360.49
Dual Check with 1 1/2" Test Port	F	\$410.74	\$360.49
Dual Check with 2" Test Port	G	\$410.74	\$360.49
Telescoping Ball Valve	K	\$55.78	\$55.78

\*H = confined space lockwing BV same foot print as plug valve

1 1/2" = Full Port  
2" = Reduced Port

**Step #5 - Add for Specials**

**Contact the Factory**

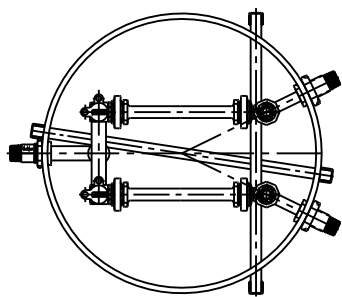


# 783, 784, 785 Series - Iron Yoke Pit Assembly

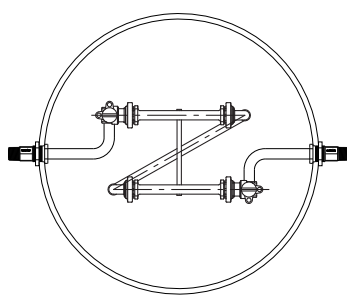
FOR 5/8" TO 1" METERS

A.Y. McDonald Mfg. Co. offers a quick and easy way to install your water meter. The series 783 yoke style pit assembly is designed for 5/8" to 1" threaded meters. The 783 series is delivered completely assembled, is fully tested prior to leaving the factory, built to your specifications, and is set into service as a unit. This unit can be installed in minutes.

Comes complete with service line connections, risers, valves, and iron yoke meter cradle. May be ordered with or without meter expansion connection. Also taken into consideration when sizing the 783 series pit assembly is the service line depth, and optional frame and cover sold separately.

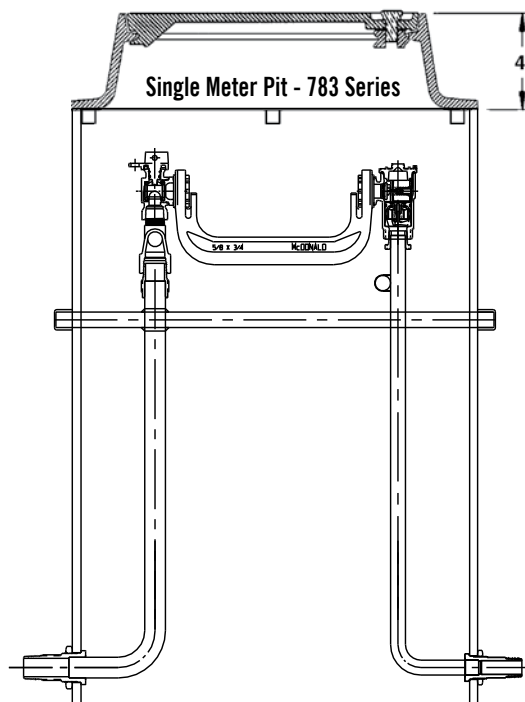


Dual Meter Pit 784 Series



Tandem Meter Pit 785 Series

See Frame & Cover Section for optional frames and covers sold separately.



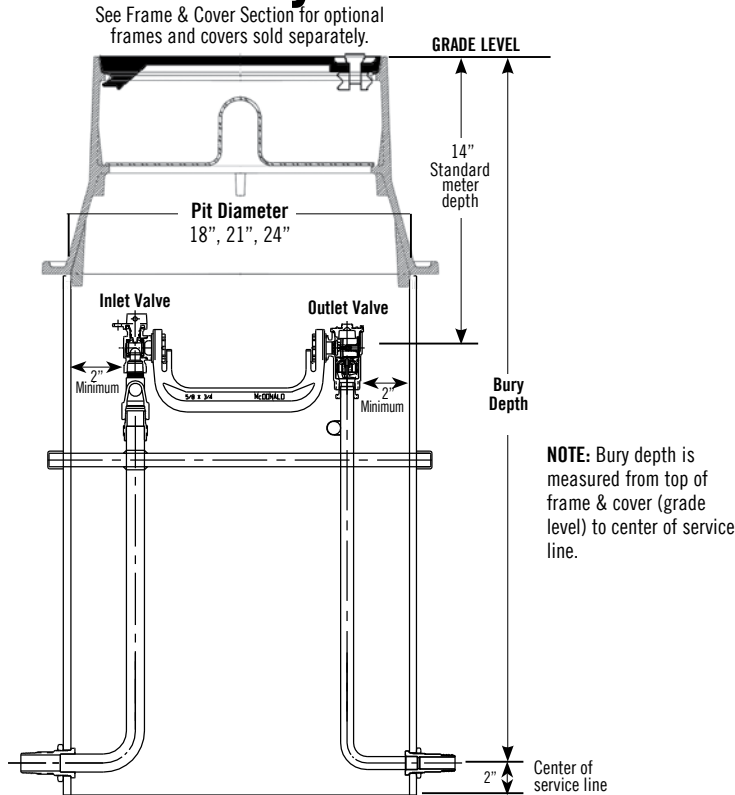
## NOTES

- The centerline of the service line connections are positioned 2" above the bottom of the pit.
- The centerline of the meter will be 14" below grade level.
- A PVC support cross tube is tied to the copper tube risers and permanently attached to the pit walls.
- Cast brass jam nuts installed to secure riser tubes to exterior of the PVC frame.
- Recommend minimum 2" clearance between the pit wall and any part of the setting to prevent frost jump.
- Cast iron frame, and cover, inner lid, or insulating options are provided independently of pit setter.
- All cast brass meets latest revision of AWWA C800.
- All pipe, valves, and fittings associated with the PVC pit setter shall be factory assembled and tested.
- Use 785 series for installation with secondary device such as pressure regulators or other service line connections.



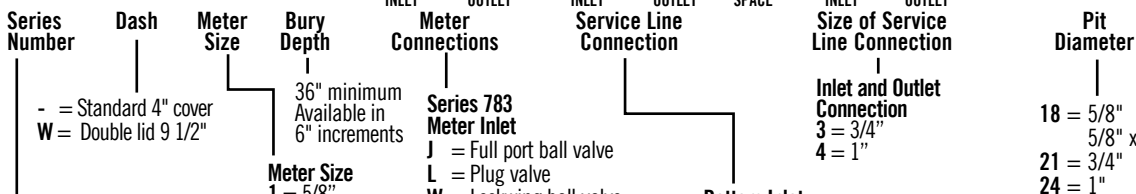
# 783 Series - Yoke Pit Assembly

Pit Setters



Following is a general guide to the A.Y. McDonald Mfg. Co. Yoke Style Pit Setter model numbering system.

## Example: Model 783W236WDPP 33X18



783 = Single Yoke Pit  
784 = Dual Meter Pit  
785 = Tandem Meter Pit

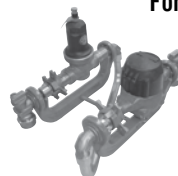
**Series 783 Meter Inlet**  
J = Full port ball valve  
L = Plug valve  
W = Lockwing ball valve  
**Meter Outlet**  
C = Angle single check valve  
D = Angle dual check valve  
E = Yoke elbow  
J = Full port ball valve  
L = Plug valve  
M = 1" Full port dual check - 1" meter only  
W = Lockwing ball valve  
Other options available, contact factory.

**Series 785 - Tandem**  
A = Angle Single check valve  
F = Dual check valve  
E = Brass elbow  
K = Full port ball valve  
G = Plug valve  
P = 1" Full port dual check - 1" meter only  
Q = Lockwing ball valve

**NOTE:** Unless specified all tandem components have meter nuts without saddles.

**Bottom Inlet and Outlet Configuration**  
P = Male iron pipe  
2 = -22 CTS  
T = T CTS  
Other options available, contact factory.

**For Tandem Series**



Contact Factory for Tandems, Meter Length, and End connection device.

**For the following pit configurations/diameters, Contact Factory:**  
5/8" Tandem/Dual  
5/8" x 3/4" Tandem/Dual  
3/4" Tandem/Dual  
1" Tandem/Dual



# 783 Series - Yoke Pit Assembly

5/8", 5/8" X 3/4", 3/4", & 1" METERS

**Standard Meter Lay Lengths -**

- 7.5" - 5/8" Meters
- 7.5" - 5/8" x 3/4" Meters
- 9" - 3/4" Meters
- 10.75" - 1" Meters

**Standard Tandem Device Lay Lengths (FNPT x FNPT) -**

- 4" - 5" - 5/8" & 5/8" x 3/4", 3/4" Meters
- 5" - 6" - 1" Meters

<b>783</b>	<b>-</b>	<b>3</b>	<b>36</b>	<b>W</b>	<b>E</b>	<b>P</b>	<b>P</b>		<b>3</b>	<b>3</b>	<b>X</b>	<b>21</b>
Series #	Frame Type	Meter Size	Bury Depth	Inlet	Outlet	Service Inlet Type	Service Outlet Type	Space	Service Inlet Size	Service Outlet Size		Pit Diameter

Step #1 - Choose your base pit setter

**783 Series**  
Single Yoke Pit Setter

Part No.	Base Model #	Meter Size	Inlet	Outlet	Service Inlet & Outlet	Pit Diameter	Base Price
	783-136WEPP 33X21	5/8"	Standard Port Ball Valve	Yoke Elbow	3/4" MNPT	21"	\$867.25
	783-136WEPP 33X24	5/8"	Standard Port Ball Valve	Yoke Elbow	3/4" MNPT	24"*	\$952.94
	783-236WEPP 33X21	5/8" x 3/4"	Standard Port Ball Valve	Yoke Elbow	3/4" MNPT	21"	\$873.16
	783-236WEPP 33X24	5/8" x 3/4"	Standard Port Ball Valve	Yoke Elbow	3/4" MNPT	24"*	\$958.87
	783-336WEPP 33X21	3/4"	Standard Port Ball Valve	Yoke Elbow	3/4" MNPT	21"	\$889.41
	783-336WEPP 33X24	3/4"	Standard Port Ball Valve	Yoke Elbow	3/4" MNPT	24"*	\$975.11
	783-436WEPP 44X24	1"	Standard Port Ball Valve	Yoke Elbow	1" MNPT	24"*	\$1,283.90

\* 24" Pit diameter requires extension ring 74MX1 or 74MX2 with standard frame and cover or monitor style 74M24 without extension ring

Step #2 - Choose Your Lid Type

Note: Frame & Cover sold separately

List Price Adders:

Description	Model #	18" Pit Diameter	21" Pit Diameter	24" Pit Diameter
Standard Frame	-	\$0.00	\$0.00	\$0.00
W-Style Frame & Cover	W	-\$57.72	-\$62.06	-\$62.06

### Expansion Connections - Hard Gaskets

Part No.	Model	Meter Size	Price
5139-034	714-1EHG	5/8"	\$39.20
5139-035	714-2EHG	5/8" x 3/4" or 3/4"	\$44.44
5139-274	714-4EHG	1"	\$74.64



Includes two star nut gaskets



# 783 Series - Pit Assembly

5/8", 5/8" X 3/4", 3/4", & 1" METERS

### Step #3 - Choose Your Bury Depth

*Note: Contact the Factory for additional depth & diameter configurations*

**List Price Adders:**

Height	Model #	21" Pit Diameter		24" Pit Diameter	
		5/8", 5/8" x 3/4" & 3/4" Meter		5/8", 5/8" x 3/4" & 3/4" Meter 1" Meter	
36"	36		\$0.00		\$0.00
42"	42		\$75.34		\$116.72
48"	48		\$150.71		\$233.44
54"	54		\$226.05		\$350.15
60"	60		\$301.39		\$466.86
66"	66		\$376.75		\$583.59
72"	72		\$452.10		\$700.30
78"	78		\$527.45		\$817.02
84"	84		\$602.80		\$933.76
90"	90		\$678.15		\$1,050.46
96"	96		\$753.50		\$1,167.19

### Step #4 - Choose Your Meter Valves

*Note: add for each Valve added to Pit Setter AND subtract the Ball Valve if removed from Pit Setter (Double adders on dual 784 series)*

**List Price Adders:**

Meter Inlet & Outlet			5/8" & 5/8" x 3/4" Meter	3/4" Meter	1" Meter
Yoke Elbow	E		\$0.00	\$0.00	\$0.00
Yoke Elbow with Test Port	F		\$25.11	\$25.11	\$25.11
Lockwing Plug Valve	L		\$65.00	\$62.06	\$56.15
Lockwing Plug Valve with Test Port	T		\$76.83	\$73.88	\$76.83
Lockwing Ball Valve	W		\$78.30	\$75.34	\$113.77
Lockwing Full Port Ball Valve	J		\$147.74	\$144.78	\$175.81
Single Check	C		\$70.93	\$70.93	\$42.85
Cascading Dual Check	D	X992	\$131.49	\$131.49	\$101.94
Dual Check	D		\$143.32	\$143.32	\$206.83
1" Port Angle Dual Check	M		N/A	N/A	\$268.89

### Step #5 - Choose Your Service Inlet & Outlet Connections

*Note: A 74754 Female Adapter can be used to convert to other types of pipe on page 211-212*

**List Price Adders:**

Service Inlet & Outlet	Model #		5/8" & 5/8" x 3/4" Meter	3/4" Meter	1" Meter
3/4" Male Iron Pipe Integral	PP	33	\$0.00	\$0.00	N/A
1" Male Iron Pipe Integral	PP	44	Contact Factory	Contact Factory	\$ 0.00
3/4" Copper Flare w/74754	CC	33	\$14.77	\$14.77	N/A
3/4" -22 CTS Compression Integral	22	33	\$16.25	\$16.25	N/A
1" -22 CTS Compression Integral	22	44	Contact Factory	Contact Factory	\$48.76
3/4" T CTS Compression Integral	TT	33	\$16.25	\$16.25	N/A
1" T CTS Compression Integral	TT	44	Contact Factory	Contact Factory	\$48.76

### Step # 6 - Add for Specials

**Contact the Factory**





# 7180, 7181, 7182, 7186, 7187, 7188 Series - Flat Lid Pit Assembly

FOR 5/8" TO 1" METERS

A.Y. McDonald Mfg. Co. offers a quick and easy way to install your water meter in a shallow setting. The series 7180 inline meter setting is delivered completely assembled and is fully tested prior to leaving the factory.

Each meter box assembly comes standard with a rigid PVC shell, AWWA compliant water service brass fittings, and valves, and NSF meter gaskets. Options include aluminum bottom closure, insulating pads, and several lid styles. Various service line connection styles are also available upon request. This versatile meter box can be sized to fit any standard size water meter and is easily adapted to remote read options.

Available for single, dual, and tandem meter installations.

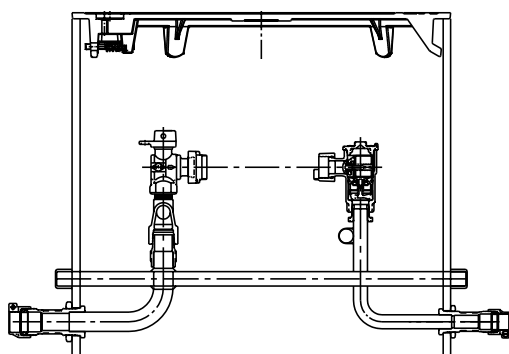
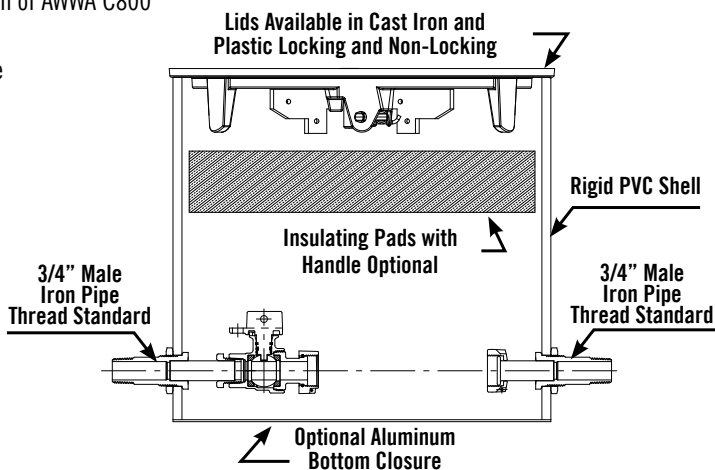
## FEATURES

- Rigid PVC Shell
- Fully assembled
- White interior
- Factory tested
- All cast brass meets latest revision of AWWA C800
- Sized to fit your meter
- Compression connection available
- Adaptable to meet your needs

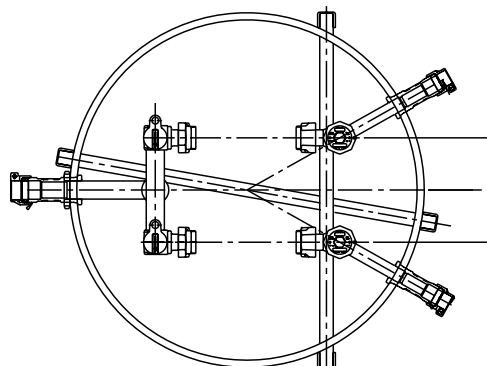
See Frame & Cover Section for optional frames and covers sold separately.



Top View - With Meter & Shut-Off Valve



Single 7180 Series



Dual 7181 Series

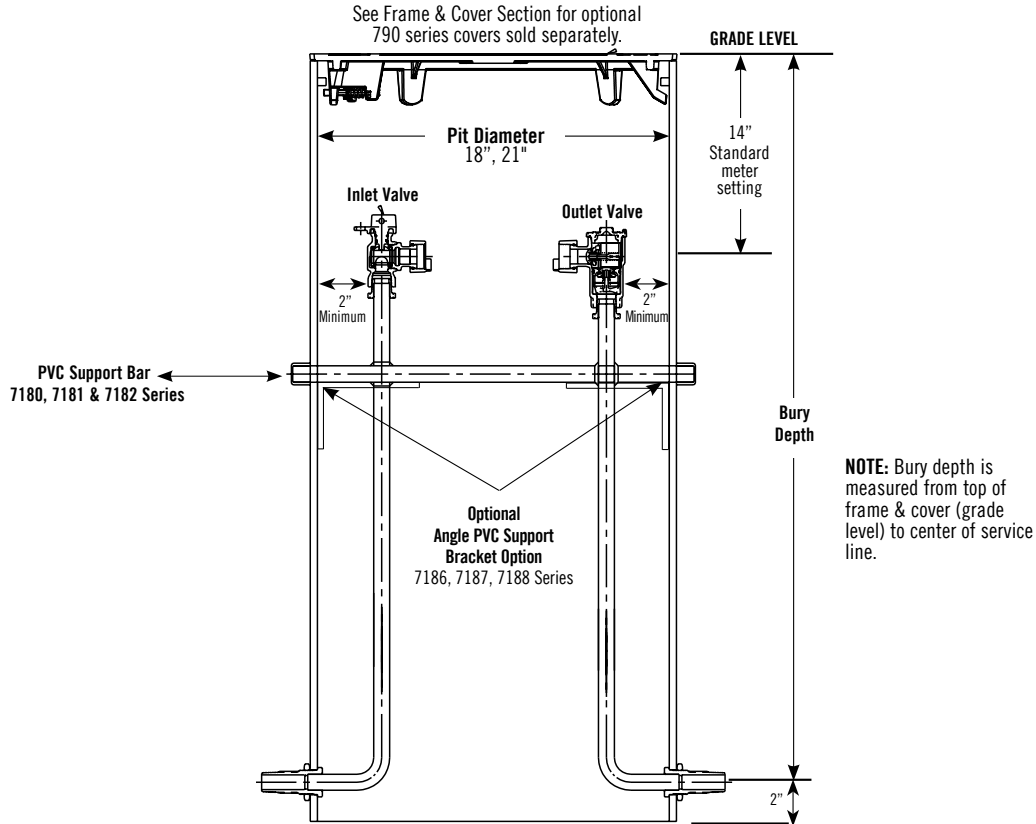
## NOTES

- Not all combinations are available - Contact Factory.



# 7180 Series - Flat Lid Pit Assembly

Pit Setters



Following is a general guide to the A.Y. McDonald Mfg. Co. Riser Style Pit Setter model numbering system.

## Example: Model 7180-236WDPP 33X18

<b>7180</b>	<b>-</b>	<b>2</b>	<b>36</b>	<b>W</b>	<b>D</b>	<b>P</b>	<b>P</b>		<b>3</b>	<b>3</b>	<b>X</b>	<b>18</b>
<b>Series Number</b>	<b>Dash</b>	<b>Meter Size</b>	<b>Bury Depth</b>	<b>Meter Connections</b>		<b>Service Line Connection</b>		<b>SPACE</b>	<b>Size of Service Line Connection</b>			<b>Pit Diameter</b>
	- = Standard	Meter Size 1 = 5/8" 2 = 5/8" x 3/4" 3 = 3/4" 4 = 1"	18" minimum Available in 6" increments	<b>Series 7180 Meter Inlet</b> W = Lockwing ball valve L = Plug valve		<b>Bottom Inlet and Outlet Configuration</b> P = Male iron pipe standard 2 = -22 CTS T = T CTS Other options available, contact factory.			<b>Inlet and Outlet Connection</b> 3 = 3/4" 4 = 1"			18 = 5/8" or 5/8" x 3/4" 21 = 3/4" or 1"
<p><b>7180</b> = Single Meter Pit (standard)  <b>7181</b> = Dual Meter Pit  <b>7182</b> = Tandem Meter Pit  <b>7186</b> = Single Meter Pit w/Angle PVC Support Brackets  <b>7187</b> = Dual Meter Pit w/Angle PVC Support Brackets  <b>7188</b> = Tandem Meter Pit w/ Angle PVC Support Brackets</p>												
<p><b>For Tandem Series</b></p> <p><b>Example 7182-236QFPP 33 X 18</b> Tandem setters are supplied with adapters and "S" tube. Please specify device length and threads when ordering.</p>												
<p><b>Series 7182 - Tandem</b>  <b>A</b> = Full Port Angle Single Check Valve  <b>F</b> = Full Port Angle Dual Check Valve (ASSE 1024)  <b>N</b> = Flanged Tubing with Meter Nut  <b>Q</b> = Angle Lockwing Ball Valve Rated at 300 PSIG</p> <p><b>NOTE:</b> Unless specified all tandem components have meter nuts without saddles.</p>												



# 7180 Series - Flat Lid Pit Assembly

5/8", 5/8" X 3/4", 3/4", & 1" METERS

**Standard Meter Lay Lengths -**

- 7.5" - 5/8" Meters
- 7.5" - 5/8" x 3/4" Meters
- 9" - 3/4" Meters
- 10.75" - 1" Meters

**Standard Tandem Device Lay Lengths (FNPT x FNPT) -**

- 4" - 5" - 5/8" & 5/8" x 3/4", 3/4" Meters
- 5" - 6" - 1" Meters

<b>7180</b>	<b>-</b>	<b>3</b>	<b>36</b>	<b>W</b>	<b>X</b>	<b>P</b>	<b>P</b>		<b>3</b>	<b>3</b>	<b>X</b>	<b>21</b>	
Series #	Lid Type	Meter Size	Bury Depth	Inlet	Outlet	Service Inlet Type	Service Outlet Type	Space	Service Inlet Size	Service Outlet Size		Pit Diameter	Specials

Step #1 - Choose your base pit setter

**7180/7186 Series**  
Single Meter Pit Setter

Part No.	Base Model #	Meter Size	Inlet	Outlet	Service Inlet & Outlet	Pit Diameter	Base Price
	7180-136WXPP 33X18	5/8"	Standard Port Ball Valve	Meter Nut	3/4" MNPT	18"	\$800.77
	7180-136WXPP 33X21	5/8"	Standard Port Ball Valve	Meter Nut	3/4" MNPT	21"	\$845.08
	7180-236WXPP 33X18	5/8" x 3/4"	Standard Port Ball Valve	Meter Nut	3/4" MNPT	18"	\$800.77
	7180-236WXPP 33X21	5/8" x 3/4"	Standard Port Ball Valve	Meter Nut	3/4" MNPT	21"	\$845.08
	7180-336WXPP 33X21	3/4"	Standard Port Ball Valve	Meter Nut	3/4" MNPT	21"	\$856.91
	7180-436WXPP 44X21	1"	Standard Port Ball Valve	Meter Nut	1" MNPT	21"	\$1,103.65

\*Possibility of frost jump not warranted

**7181/7187 Series**  
Dual Meter Pit Setter

Part No.	Base Model #	Meter Size	Inlet	Outlet	Service Inlet & Outlet	Pit Diameter	Base Price
	7181-136WXPP 43X21	5/8"	Standard Port Ball Valve	Meter Nut	1" x 3/4" MNPT	21"	\$1,679.85
	7181-236WXPP 43X21	5/8" x 3/4"	Standard Port Ball Valve	Meter Nut	1" x 3/4" MNPT	21"	\$1,679.85
	7181-336WXPP 43X21	3/4"	Standard Port Ball Valve	Meter Nut	1" x 3/4" MNPT	21"	\$1,768.49

**7182/7188 Series**  
Tandem Meter Pit Setter - Note: A PRV length and connection type are required

Part No.	Base Model #	Meter Size	Inlet	Outlet	Service Inlet & Outlet	Pit Diameter	Base Price
	7182-136QNPP 33X21	5/8"	Standard Port Ball Valve	Meter Nut	3/4" MNPT	21"	\$982.50
	7182-236QNPP 33X21	5/8" x 3/4"	Standard Port Ball Valve	Meter Nut	3/4" MNPT	21"	\$982.50

Not all combinations are available - Contact Factory



# 7180 Series - Flat Lid Pit Assembly

### Step #2 - Choose Your Bury Depth

Note: Contact the Factory for additional depth & diameter configurations

Height	Model #	18" Pit Diameter		21" Pit Diameter		24" Pit Diameter	
		5/8", 5/8" x 3/4" & 3/4" Meter	5/8", 5/8" x 3/4" & 3/4" Meter	1" Meter	5/8", 5/8" x 3/4" & 3/4" Meter	1" Meter	
36"	36	\$0.00	\$0.00	\$0.00	\$0.00	\$0.00	
42"	42	\$66.48	\$75.35	\$101.94	\$88.64	\$116.72	
48"	48	\$132.97	\$150.70	\$203.88	\$177.28	\$233.44	
54"	54	\$199.45	\$226.05	\$305.83	\$265.94	\$350.15	
60"	60	\$265.94	\$301.40	\$407.78	\$354.59	\$466.87	
66"	66	\$332.43	\$376.75	\$509.71	\$443.23	\$583.59	
72"	72	\$398.91	\$452.10	\$611.67	\$531.88	\$700.31	
78"	78	\$465.39	\$527.45	\$713.60	\$620.52	\$817.03	
84"	84	\$531.88	\$602.80	\$815.55	\$709.18	\$933.74	
90"	90	\$598.36	\$678.15	\$917.49	\$797.82	\$1,050.46	
96"	96	\$664.85	\$753.50	\$1,019.44	\$886.46	\$1,167.19	

### Step #3 - Choose Your Meter Valves

Note: add for each Valve added to Pit Setter AND subtract the Ball Valve if removed from Pit Setter  
 Note: double adders for dual Pits model 7181 & 7187

#### List Price Adders:

Meter Inlet & Outlet		5/8" & 5/8" x 3/4" Meter	3/4" Meter	1" Meter
Meter Nut	X	\$0.00	\$0.00	\$0.00
Brass Elbow	Z	\$31.02	\$36.93	\$54.67
Lockwing Plug Valve	L	\$65.00	\$62.06	\$56.15
Lockwing Ball Valve	W	\$78.30	\$75.35	\$113.77
Lockwing Full Port Ball Valve	J	\$147.75	\$144.78	\$175.81
Single Check	C	\$70.92	\$70.92	\$42.85
Cascading Dual Check	D X992	\$131.49	\$131.49	\$101.94
Dual Check	D	\$143.30	\$143.30	\$206.84
1" Port Angle Dual Check	M	N/A	N/A	\$268.90

### Step #4 - Choose Your Service Inlet & Outlet Connections

Note: A 74754 Female Adapter can be used to convert to other types of pipe on page 211-212  
 Price below is per side

#### List Price Adders:

Service Inlet & Outlet	Model #	5/8" & 5/8" x 3/4" Meter	3/4" Meter	1" Meter
3/4" Male Iron Pipe Integral	PP 33	\$0.00	\$0.00	N/A
1" Male Iron Pipe Integral	PP 44	Contact Factory	Contact Factory	\$0.00
3/4" Copper Flare	CC 33	\$14.77	\$14.77	N/A
3/4" -22 CTS Compression Integral	22 33	\$16.25	\$16.25	N/A
1" -22 CTS Compression Integral	22 44	Contact Factory	Contact Factory	\$48.76
3/4" T CTS Compression Integral	TT 33	\$16.25	\$16.25	N/A
1" T CTS Compression Integral	TT 44	Contact Factory	Contact Factory	\$48.76

#### Pit Options Order Separately

##### Lid Selection Example

<b>90L</b>	<b>15</b>	<b>CL</b>	<b>X800</b>
90L / Diameter Lid Option			For Plastic Locking Lid

#### Flat Lid

	90L	15	18	21	OPTIONS
Locking		\$159.29*	\$163.09*	\$235.59	-
Center Locking		\$120.46	\$134.92	\$228.01	CL
Non-Locking		\$82.13	\$94.98	N/A	K
Non-Locking (with Stabilizing Legs)		\$141.09	\$144.89	\$217.39	N
Non-Locking Offset Hole		\$145.63	\$149.43	\$221.93	NT
Non-Locking Center Hole		\$145.63	\$149.43	\$221.93	NTC
Non-Locking Recessed 2" Hole		\$145.63	\$149.43	N/A	NRG
Locking Recessed 2" Hole		\$163.81	\$167.63	N/A	RG
Locking Offset Hole		\$163.81	\$167.63	\$240.13	T
Locking Center Hole		\$163.81*	\$167.63*	\$240.13	TC

\*Available with Plastic Locking Lid



# 790 Series - Coil Pit Assembly

FOR 5/8" TO 1" METERS

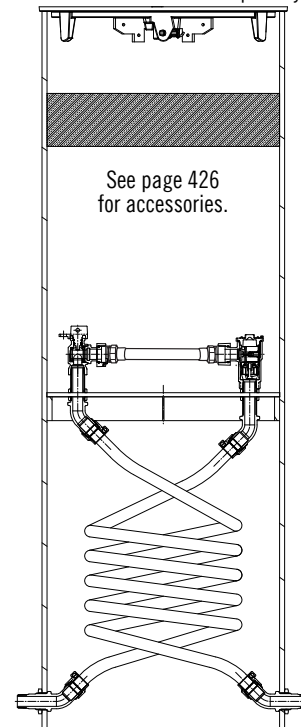
The A.Y. McDonald Coil Pit Setter provides a means to allow a meter to be read and maintained even though it is set deep in the ground to resist freezing. The Coil Pit Setter is designed with the meter installed on a platform that normally sets near the bottom of the box where the ground temperatures are warmer. The meter and platform are connected to the service line by coils of tubing which allows the meter and platform to be raised to the surface for service or replacement.

The body of the meter box is rigid PVC of various diameters. For extremely cold climates, an optional insulating pad is available which traps the relatively warm air rising from the earth, inside the meter box.

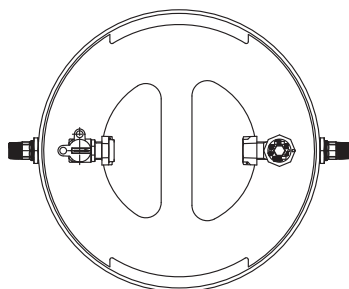
A.Y. McDonald Coil Pit Setters are shipped fully assembled, ready for meter and service line installation. Their light weight saves shipping costs and makes installation a one man job in most cases. Every box is factory tested and has a 150 psig maximum working pressure rating.

A.Y. McDonald Coil Pit Setters are available in single, dual, and tandem settings for 5/8" to 1" meters. A wide variety of end connections, control valves, box depths, lids and other options are available. Due to the almost endless combination of features offered, each meter box is custom built to your specifications.

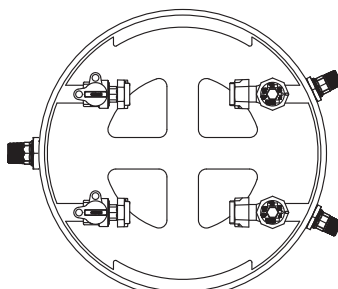
See Frame & Cover section for optional frames and covers sold separately.  
790 series flat cover sold separately



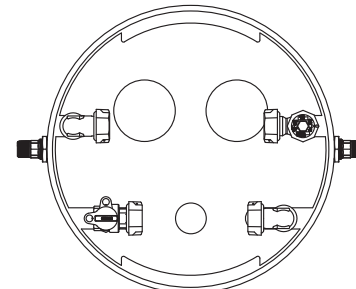
Pit Setters



790 Series - Single



791 Series - Dual



792 Series - Tandem

## 790-PVCSJ - PVC Slip Joint x FNPT

Part No.	Size	Price
5189-088	1 1/2" x 3/4"	\$87.42
5189-087	1 1/2" x 1"	\$87.42
5189-410	2" x 3/4"	\$123.38
5189-411	2" x 1"	\$123.38



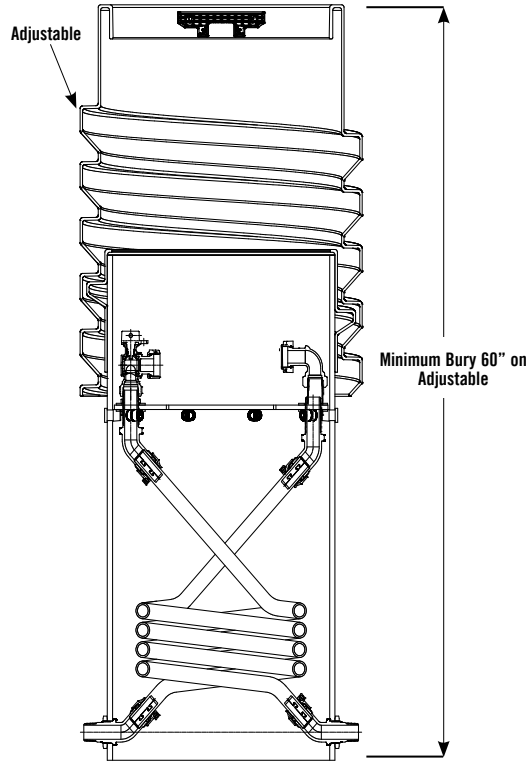
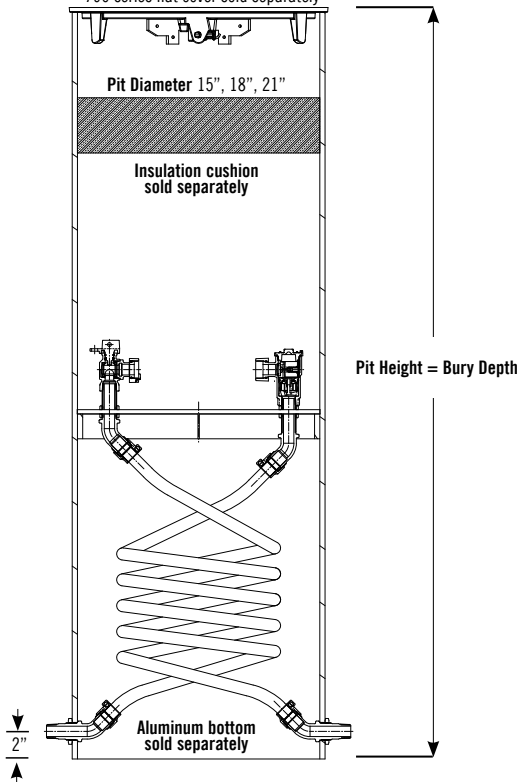
### NOTES

- All cast brass meets latest revision of AWWA C800.



# 790 Series - Coil Pit Assembly

See Frame & Cover Section for optional frames and covers sold separately.  
790 series flat cover sold separately



Following is a general guide to the A.Y. McDonald Mfg. Co. Coil style pit setter model numbering system.

## Example: Model 790-248QFP P 3 3 0 X 18 X 7.50



**Series Number**

**Dash**  
- = Standard  
D = 1" coil tube with 1" inlet & outlet

**Meter Size**  
30" minimum Available in 6" increments  
**Meter Size**  
1 = 5/8"  
2 = 5/8" x 3/4"  
3 = 3/4"  
4 = 1"

**Meter Connections**

**Series 790 Meter Inlet**  
G = Plug valve  
Q = Lockwing ball valve (standard)  
K = Full port lockwing ball valve  
N = Elbow

**Meter Outlet**

A = Single check valve  
F = Dual check valve  
G = Plug valve  
K = Full port lockwing ball valve  
N = Elbow  
P = 1" Full port angle dual check  
Q = Lockwing ball valve (standard)  
Other options available, contact factory.

**Service Line Connection**

**Size of Service Line Connection**  
Inlet and Outlet Connection  
3 = 3/4"  
4 = 1"

**Bottom Inlet and Outlet Configuration**

P = Male iron pipe  
2 = -22 CTS  
T = T CTS  
Compression and flare options available. Other options available, contact factory.

**For Cushion & Bottom Options Contact Factory**

**Pit Diameter**

15 = 5/8"  
5/8" x 3/4"  
18 = 3/4" or 1"  
21 = As Required

**\*\*Tandem Setting Device Length and Configuration must be supplied by customer**

**For the following pit configurations/diameters, Contact Factory:**  
5/8" Tandem/Dual  
5/8" x 3/4" Tandem/Dual  
3/4" Tandem/Dual  
1" Tandem/Dual

- 790 = Single Meter Pit (standard)
- 791 = Dual Meter Pit
- \*\* 792 = Tandem Meter Pit
- 795 = Adjustable Single Meter Pit
- 796 = Adjustable Dual Meter Pit
- \*\* 797 = Adjustable Tandem Meter Pit

**NOTE:**  
- Full port ball valves and check valves optional on 3/4" & 1" meter pits

**NOTE:**  
- 1" coil tube optional on 5/8", 5/8" x 3/4", and 3/4" meter pits

\*\* Need to know PRV length

**NOTE:** Unless specified all tandem components have meter nuts without saddles.

### For Tandem Series



Contact Factory for Tandems





# 790 Series - Coil Pit Setters

5/8", 5/8" X 3/4", 3/4", & 1" METERS

### Standard Meter Lay Lengths -

- 7.5" - 5/8" Meters
- 7.5" - 5/8" x 3/4" Meters
- 9" - 3/4" Meters
- 10.75" - 1" Meters

<b>790</b>	<b>-</b>	<b>3</b>	<b>30</b>	<b>Q</b>	<b>N</b>	<b>P</b>	<b>P</b>		<b>3</b>	<b>3</b>	<b>0</b>	<b>X</b>	<b>18</b>	
Series #	Lid Type	Meter Size	Bury Depth	Inlet	Outlet	Service Inlet Type	Service Outlet Type	Space	Service Inlet Size	Service Outlet Size	Cushion & Bottom Options		Pit Diameter	Specials

Pit Setters

### Step #1 - Choose your base pit setter

#### 790 Series Single Coil Pit Setter

Part No.	Base Model #	Meter Size	Inlet	Outlet	Service Inlet & Outlet	Pit Diameter	Base Price
	790-130QNPP 330X15	5/8"	Standard Port Ball Valve	Meter Nut	3/4" MNPT	15"	\$962.98
	790-130QNPP 330X18	5/8"	Standard Port Ball Valve	Meter Nut	3/4" MNPT	18"	\$1,052.27
	790-230QNPP 330X15	5/8" x 3/4"	Standard Port Ball Valve	Meter Nut	3/4" MNPT	15"	\$962.98
	790-230QNPP 330X18	5/8" x 3/4"	Standard Port Ball Valve	Meter Nut	3/4" MNPT	18"	\$1,052.27
	790-330QNPP 330X15	3/4"	Standard Port Ball Valve	Meter Nut	3/4" MNPT *	15"	\$962.98
	790-330QNPP 330X18	3/4"	Standard Port Ball Valve	Meter Nut	3/4" MNPT	18"	\$1,052.27
	790-430QNPP 440X18	1"	Standard Port Ball Valve	Meter Nut	1" MNPT	18"	\$1,353.54
	790-430QNPP 440X21	1"	Standard Port Ball Valve	Meter Nut	1" MNPT	21"	\$1,507.06

#### 791 Series Dual Coil Pit Setter

Part No.	Base Model #	Meter Size	Inlet	Outlet	Service Inlet & Outlet	Pit Diameter	Base Price
	791-130QNPP 430X18	5/8"	Standard Port Ball Valve	Meter Nut	1 x 3/4" MNPT	18"	\$1,591.59
	791-130QNPP 430X21	5/8"	Standard Port Ball Valve	Meter Nut	1 x 3/4" MNPT	21"	Contact Factory
	791-230QNPP 430X18	5/8" x 3/4"	Standard Port Ball Valve	Meter Nut	1 x 3/4" MNPT	18"	\$1,591.59
	791-230QNPP 430X21	5/8" x 3/4"	Standard Port Ball Valve	Meter Nut	1 x 3/4" MNPT	21"	Contact Factory
	791-330QNPP 430X18	3/4"	Standard Port Ball Valve	Meter Nut	1 x 3/4" MNPT	18"	\$1,591.59
	791-330QNPP 430X21	3/4"	Standard Port Ball Valve	Meter Nut	1 x 3/4" MNPT	21"	Contact Factory

#### 792 Series Tandem Coil Pit Setter - Note: A PRV length and connection type are required

Part No.	Base Model #	Meter Size	Inlet	Outlet	Service Inlet & Outlet	Pit Diameter	Base Price
	792-130QNPP 330X15	5/8"	Standard Port Ball Valve	Meter Nut	3/4" MNPT	15"	\$1,202.28
	792-130QNPP 330X18	5/8"	Standard Port Ball Valve	Meter Nut	3/4" MNPT	18"	\$1,291.21
	792-230QNPP 330X15	5/8" x 3/4"	Standard Port Ball Valve	Meter Nut	3/4" MNPT	15"	\$1,202.28
	792-230QNPP 330X18	5/8" x 3/4"	Standard Port Ball Valve	Meter Nut	3/4" MNPT	18"	\$1,291.21
	792-330QNPP 330X18	3/4"	Standard Port Ball Valve	Meter Nut	3/4" MNPT	18"	\$1,291.21
	792-430QNPP 440X18	1"	Standard Port Ball Valve	Meter Nut	1" MNPT	18"	\$1,734.76
	792-430QNPP 440X21	1"	Standard Port Ball Valve	Meter Nut	1" MNPT	21"	\$1,888.33

#### List Price Adders (Price below is per side):

Service Inlet & Outlet	Model #	5/8" & 5/8" x 3/4" Meter	3/4" Meter	1" Meter
3/4" Male Iron Pipe Integral	PP 33	\$0.00	\$0.00	N/A
1" Male Iron Pipe Integral	PP 44	Contact Factory	Contact Factory	\$0.00
3/4" Copper Flare w/74754	CC 33	\$14.77	\$14.77	N/A
3/4" -22 CTS Compression Integral	22 33	\$16.25	\$16.25	N/A
1" -22 CTS Compression Integral	22 44	Contact Factory	Contact Factory	\$48.76
3/4" T CTS Compression Integral	TT 33	\$16.25	\$16.25	N/A
1" T CTS Compression Integral	TT 44	Contact Factory	Contact Factory	\$48.76



# 790 Series - Coil Pit Setters

5/8", 5/8" X 3/4", 3/4", & 1" METERS

Pit Setters

### Step #2 - Choose Your Adjustable Top

For Adjustable Top option change series from 790 to 795, 791, to 796, and 792 to 797

List Price Adders:

Description	15" Pit Diameter	18" Pit Diameter
795, 796, 797 Series adder	\$283.38	\$333.40

\*Note: Minimum of 60" for adjustable

### Step #3 - Choose Your Bury Depth

Note: Contact the Factory for additional depth & diameter configurations

List Price Adders:

Height	Model #	15" Pit Diameter		18" Pit Diameter		21" Pit Diameter	
		5/8", 5/8" x 3/4" & 3/4" Meter	5/8", 5/8" x 3/4" & 3/4" Meter	1" Meter	5/8", 5/8" x 3/4" & 3/4" Meter	1" Meter	
30"	30	\$ 0.00	\$ 0.00	\$ 0.00	\$ 0.00	\$ 0.00	
36"	36	\$43.21	\$64.68	\$64.68	\$93.54	\$93.54	
42"	42	\$86.46	\$129.27	\$129.27	\$187.08	\$187.08	
48"	48	\$129.67	\$193.91	\$193.91	\$280.66	\$280.66	
54"	54	\$172.89	\$258.56	\$258.56	\$374.23	\$374.23	
*60"	60	\$216.12	\$323.23	\$323.23	\$467.78	\$467.78	
66"	66	\$259.37	\$387.81	\$387.81	\$561.27	\$561.27	
72"	72	\$302.56	\$452.47	\$452.47	\$654.83	\$654.83	
78"	78	\$345.84	\$517.08	\$517.08	\$748.40	\$748.40	
84"	84	\$389.05	\$581.73	\$581.73	\$841.97	\$841.97	
90"	90	\$432.29	\$646.37	\$646.37	\$935.50	\$935.50	
96"	96	\$475.46	\$711.02	\$711.02	\$1,029.07	\$1,029.07	
108"	08	\$561.83	\$840.38	\$840.38	\$1,216.15	\$1,216.15	

### Step #4 - Choose Your Meter Valves

Note: add for each Valve added to Pit Setter AND subtract the Ball Valve if removed from Pit Setter

Single Set List Price Adders:

Meter Inlet & Outlet		5/8" & 5/8" x 3/4" Meter	3/4" Meter	1" Meter
Meter Nut	N	\$0.00	\$0.00	\$0.00
Lockwing Plug Valve	G	\$46.37	\$46.37	\$51.46
Lockwing Ball Valve	Q	\$42.83	\$42.83	\$76.83
Lockwing Full Port Ball Valve	K	\$64.13	\$64.13	\$100.33
Single Check	A	\$26.69	\$26.69	\$72.08
Cascading Dual Check	F X992	\$37.16	\$37.16	\$37.79
Dual Check	F	\$49.25	\$49.25	\$60.47
1" Port Angle Dual Check	P	N/A	N/A	\$92.47

Note: double adders for dual Pits model 791's & 796's

### Step #5 - Choose Your Service Inlet & Outlet Connections

Note: A 74754 Female Adapter can be used to convert to other types of pipe on page 207-208  
Price below is per side

List Price Adders:

Service Inlet & Outlet	7 & 8	10 & 11	5/8" & 5/8" x 3/4" Meter	3/4" Meter	1" Meter
3/4" Male Iron Pipe	P	3	\$0.00	\$0.00	N/A
1" Male Iron Pipe	P	4	Contact Factory	Contact Factory	\$0.00

### Step #6 - Add for Specials - Contact the Factory

Pit Options Order Separately

Lid Selection Example

90L	15	CL	X800
90L / Diameter Lid Option		For Plastic Locking Lid	

#### Flat Lid

	90L	15	18	21	OPTIONS
Locking		\$159.29*	\$163.09*	\$235.59	-
Center Locking		\$120.46	\$134.92	\$228.01	CL
Non-Locking		\$82.13	\$94.98	N/A	K
Non-Locking (with Stabilizing Legs)		\$141.09	\$144.89	\$217.39	N
Non-Locking Offset Hole		\$145.63	\$149.43	\$221.93	NT
Non-Locking Center Hole		\$145.63	\$149.43	\$221.93	NTC
Non-Locking Recessed 2" Hole		\$145.63	\$149.43	N/A	NRG
Locking Recessed 2" Hole		\$163.81	\$167.63	N/A	RG
Locking Offset Hole		\$163.81	\$167.63	\$240.13	T
Locking Center Hole		\$163.81*	\$167.63*	\$240.13	TC

\*Available with Plastic Locking Lid





# 795 Series - Top Adjustable Coil Pit Assembly

## 95 Series - Top Adjustable Pit Retrofit Kit

A. Y. McDonald's 795 Series Top Adjustable coil Pit Assembly and 95 Series Top Adjustable Pit Retrofit kit is a design the industry has been waiting on for years. Constructed of robust roto-molded poly material with UV inhibitor, this **top adjustable** feature allows the installer to set the pit before the finish grade is determined, saving time and money. The top adjustment is designed for **18 inches of adjustability** to allow for the pit to be set to final grade when the time is right. If ground settling occurs, this simple design allows for easy adjustment many years after the pit was set in place without digging the entire depth of the pit.

The 95 Series Top Adjustable Pit Retrofit kit can be easily installed on top of any 15 inch or 18 inch diameter SDR-51 PVC pit that is already installed and is in need of adjustment.



95 Series - Adjustable Meter Pit Kit



795 Series

**Adjustable Pit Retrofit Kits**

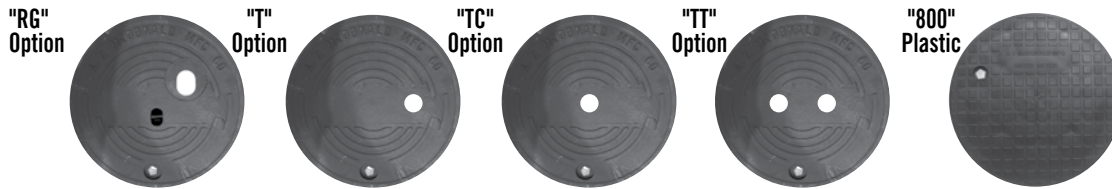
Part No.	Model	Description	Ctn Qty	Wt	List Price
4189-436	95-15	Adjustable Meter Pit Kit 15"	1	26.25	\$387.05
4189-437	95-18	Adjustable Meter Pit Kit 18"	1	30.25	\$455.34



# 90 Series - Flat Lids, Extensions, Insulation Cushion, Bottoms

Cast iron flat lids are designed to fit 15", 18" and 21" inside dimension tile sizes and are designed for lawn or sidewalk installations and come with a standard pentagon locking device.

Pit Setters

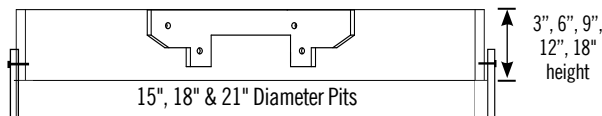


## TOP COVERS ONLY

COVER & TILE SIZE	BASIC MODEL NO.	OPTIONS (Add To Model Number)										
		LARGE BOLT	NON-LOCKING	4 1/2" RECESSED PAD	OBLONG HOLE	OFFSET RIGHT SINGLE HOLE	DOUBLE HOLE	SINGLE CENTER HOLE	CAST IRON PLUG IN SINGLE HOLE	LOCKING	CENTER LOCKING	NO MARKING
15"	90L15*	LB	N	R	G	T	TT	TC	P	Standard	CL	--
18"	90L18*	LB	N	R	G	T	TT	TC	P	Standard	CL	NM
21"	90L21	LB	N	R	G	T	TT	TC	P	Standard	CL	--

\*Available with plastic lid add (X800) to model #.

## 90-EXT - Pit Extensions



## 90-EXT - Sizes

Part No.	Size	Price	Part No.	Size	Price	Part No.	Size	Price
4189-057	15" x 03"	\$46.68	4189-058	18" x 03"	\$54.44	4189-059	21" x 03"	\$61.85
4189-011	15" x 06"	\$70.60	4189-014	18" x 06"	\$87.34	4189-060	21" x 06"	\$101.71
4189-012	15" x 09"	\$94.57	4189-015	18" x 09"	\$120.22	4189-061	21" x 09"	\$141.57
4189-013	15" x 12"	\$118.53	4189-016	18" x 12"	\$153.06	4189-062	21" x 12"	\$181.45
4189-240	15" x 18"	\$166.43	4189-243	18" x 18"	\$218.84	4189-178	21" x 18"	\$261.18
9162-454	15" x 24"	\$214.32	4189-291	18" x 24"	\$284.58			
4189-401	15" x 36"	\$310.12	4189-403	18" x 36"	\$416.09			
4189-402	15" x 48"	\$405.93	4189-404	18" x 48"	\$547.60			

## 90-ERT

Used on underside of plastic lids to hold electronic reader antenna.



Part No.	Price
4189-152	\$9.90

## 90-BOT - Aluminum Bottom

Aluminum bottom sold separately 15", 18", & 21"

Part No.	Size	Model	Price
4189-038	15"	90-BOT 15	\$14.28
4189-025	18"	90-BOT 18	\$54.87
4189-107	21"	90-BOT 21	\$98.78



## 90-C1 - One Piece Insulation Cushion

Insulating cushion sold separately 2" & 4"

### 90-C1 - Sizes

Part No.	Size	Model	Price
4189-031	15" x 2"	90-C1 15X2	\$23.40
4189-032	15" x 4"	90-C1 15X4	\$44.31
4189-033	18" x 2"	90-C1 18X2	\$53.07
4189-034	18" x 4"	90-C1 18X4	\$70.57
4189-035	21" x 2"	90-C1 21X2	\$82.77
4189-036	21" x 4"	90-C1 21X4	\$121.87
4189-320	24" x 2"	90-C1 24X2	\$110.61
4189-321	24" x 4"	90-C1 24X2	\$158.75
4189-322	27" x 2"	90-C1 27X2	\$124.43
4189-323	27" x 4"	90-C1 27X4	\$178.62
4189-263	30" x 2"	90-C1 30X2	\$184.81
4189-128	36" x 2"	90-C1 36x2	\$269.24



# 90 Series - Flat Lids, Extensions, Insulation Cushion, Bottoms

## 790-Coil - Coiled Tube Replacement

Part No.	Size	Model	Price
5189-425	33" x 42"	90-Coil 33x42	\$217.99
5189-216	33" x 48"	90-Coil 33x48	\$249.10
5189-414	33" x 60"	90-Coil 33x60	\$311.39
5189-399	33" x 66"	90-Coil 33x66	\$342.52
5189-409	33" x 72"	90-Coil 33x72	\$373.64
5189-352	33" x 84"	90-Coil 33x84	\$435.93
5188-057	33" x 96"	90-Coil 33x96	\$573.78
5189-343	33" x 99"	90-Coil 33x99	\$513.78
5189-217	44" x 48"	90-Coil 44x48	\$458.49
5189-396	44" x 72"	90-Coil 44x72	\$482.04
5189-298	44" x 84"	90-Coil 44x84	\$485.69

## 90-PW - Plastic Washer

Part No.	Size	Description	Price
4189-248	2PW	Plastic Washer	\$4.01
4189-492	4PW	Plastic Washer	\$5.05

## Top Jam Nut

Part No.	Size	Model	Price
4189-102	3/4"	90-NTOP	\$10.85
4189-101	1"	90--4NTOP	\$18.72

## 90F18 - Frame 18

Part No.	Size	Description	Price
4174-863	F18	Cast Lid	\$446.12

## Tandem Pit Repair Assembly

Part No.	Model	Ctn Qty	List Price
5189-226	792-2CTMPP33 x12.44	6/16	\$254.04
5189-227	792-4CTMPP44 x15.30	6/23	\$316.62

## Coil Pit Tray Assembly - FPBV x FPDCK

Part No.	Model	Ctn Qty	List Price
5189-278	792-4--KP-- x18x8.12x414	1/20	\$840.09

## Tandem CR Tube With Connections

Part No.	Model	Ctn Qty	List Price
5189-377	792-TANCOILTWC 33x14	10/33	\$336.17

## 790-TOPPPASY - Straight Top Piece Repair

Part No.	Size	Description	Price
5189-422	3/4"	MNPT x MNPT	\$92.41



## 790-TCP - Top Repair Fitting

Part No.	Size	Description	Price
5189-376	3/4"	Repair Fitting	\$141.11
5189-253	1"	Repair Fitting	\$164.60

## 790-BCP - PIT Repair Fitting

Part No.	Size	Description	Price
5189-187	3/4"	Repair Fitting	\$149.63
5189-215	1"	Repair Fitting	\$249.23

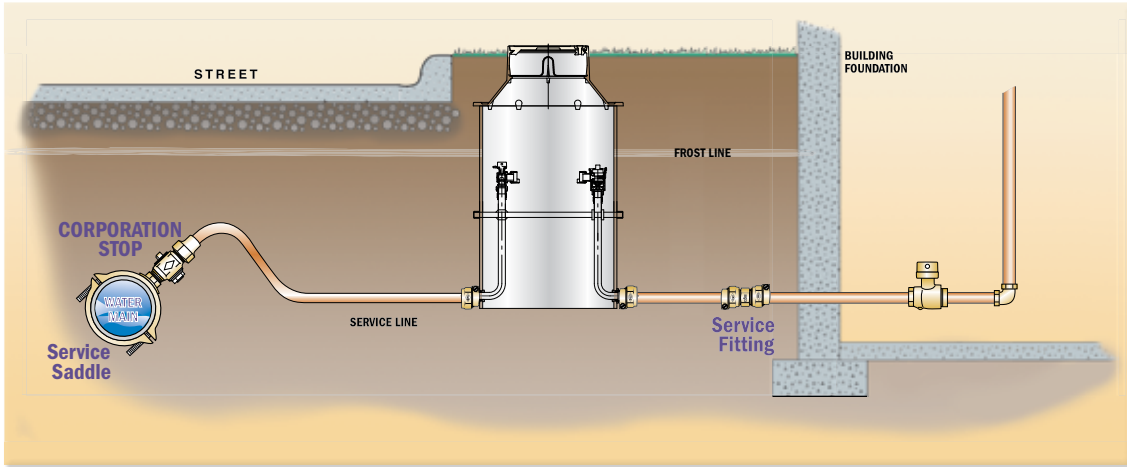
## Bottom Jam Nut

Part No.	Size	Model	Price
4189-103	3/4"	90-NBTM	\$10.30
4189-105	1"	90-NBTM	\$14.52



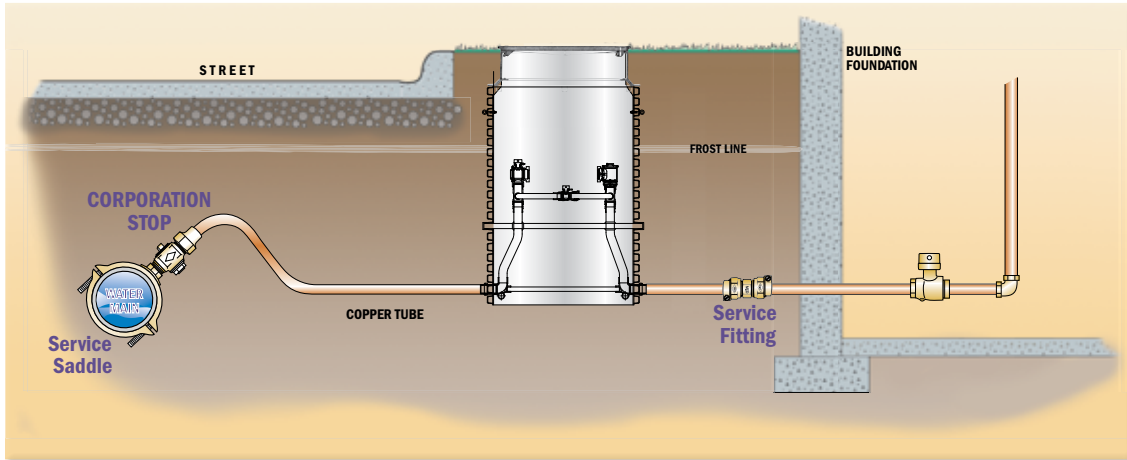
## 5/8", 5/8" x 3/4", 3/4" & 1" - Meter Installations

Meter must be below the frost line



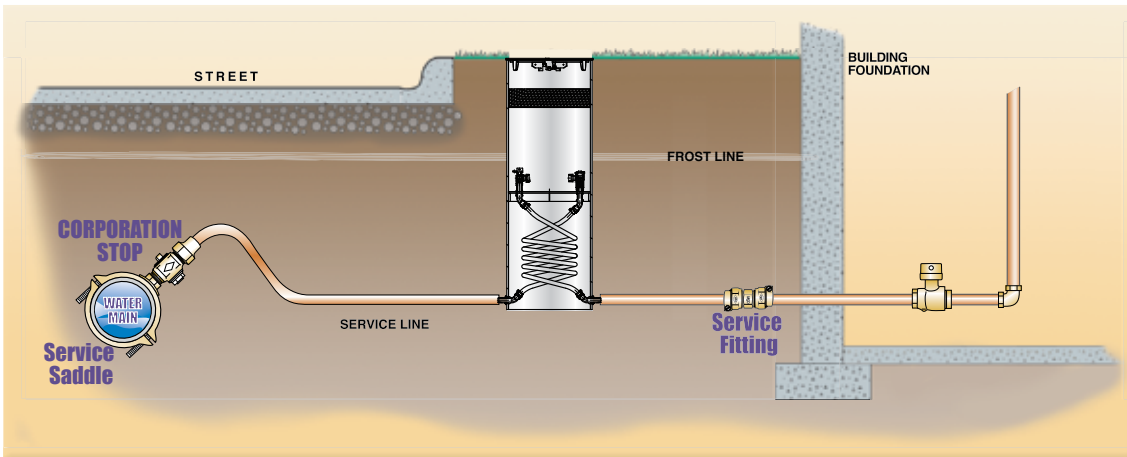
## 1 1/2" & 2" - Meter Installations

Meter must be below the frost line



## Coiled Pit Installations

Meter must be below the frost line







**WITHOUT  
YOU  
THERE IS  
NO US.**



# Meter Pit Frames & Covers

January 11, 2022 - Revised July 2024



## 74MA Series - Frames & Covers

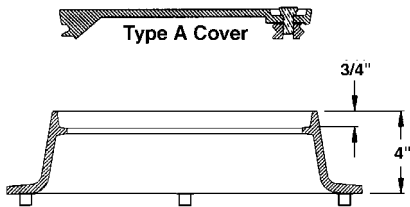
"A" STYLE



Standard "A"

### Recessed Cover

Designed primarily for lawn and sidewalk installations.



### Meter Box Cover

- Designed to recess down into frames
- Contact factory for additional recessed pad and hole configurations
- Standard locking lid

### Meter Box Frame

- Allows an 11 1/2" or 15" clear opening
- Centering lugs for 18", 20", or 21" tiles

### Standard "A" Style - Recessed Frame & Cover set

Part No.	Model	Frame/ Tile Size	Cover Opening Size	EA/WT	Price
4174-343	74M1ANM	15"	8"	1/23	\$160.47
4174-000	74M32A	18"	*11 1/2"	1/36	\$147.81
4174-001	74M3A	20"	*11 1/2"	1/36	\$180.43
4174-002	74M4A	21"	*11 1/2"	1/42	\$243.56
4174-371	74M53A	20"	15"	1/46	\$302.84

### "A" Style - Frame Only

Part No.	Model	EA/WT	Price
4174-213	74MAF15X8	1/18	\$107.59
4174-539	74MAF18	1/25	\$93.33
4174-542	74MAF20	1/26	\$125.98
4174-543	74MAF21	1/33	\$189.10
4174-366	74MAF20X15	1/25	\$205.39

### "A" Style - Cover Only

Part No.	Model	EA/WT	Price
4174-342	74MAL8NM	1/5	\$52.89
4174-012	74MAL115	1/11	\$54.45
4174-012	74MAL115	1/11	\$54.45
4174-012	74MAL115	1/11	\$54.45
4174-367	74MAL15	1/19	\$112.02

\*Available With x800 Plastic Lid



Heavy Duty (H)

### Heavy Duty "A" - Style Recessed Frame & Cover Set

Part No.	Model	Frame/ Tile Size	Cover Opening Size	EA/WT	Price
4174-422	74H32A	18"	11 1/2"	1/62	\$386.68

### Heavy Duty "A" Frame Only

Part No.	Model	EA/WT	Price
4174-869	74HAF18	1/40	\$250.71

### Heavy Duty "A" Cover Only

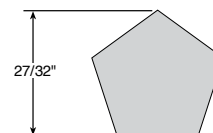
Part No.	Model	EA/WT	Price
4174-428	74MAL115H	1/22	\$135.96

### Options Available on "A" Type Cover ( Add to Above "Cover Only" )

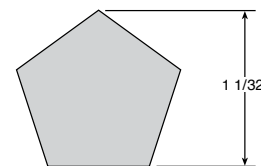
Options	74MAL8	74MAL115	74MAL15	74MAL115H	Plastic Lid	Add
LB - Large pentagon bolt	•	•	•	•	•	N/C
H - Heavy Duty		•				\$81.51
RG - Recessed oblong hole		•		•		\$4.54
RRGG - Double recessed oblong hole		•				\$9.06
T - 2" offset hole		•	•	•		\$4.54
TT - Two 2" holes		•	•	•		\$9.06
TC - 2" center hole		•	•	•	•	\$4.54
P - 2" hole plug		•	•	•		\$8.51
PP - Two 2" hole plugs		•	•	•		\$17.01
NL - No lock in lid	•	•	•			N/C
X800 - Plastic lid		•				N/C
WO - Water marking	•					N/C

### Pentagon Bolts

- Small water works pentagon bolt furnished as standard.
- Large pentagon bolt available ("LB" Option).



SMALL (Standard)



LARGE



# 74MC Series - Frames & Covers

“C” STYLE



Standard “C”

### Non-Recessed Cover

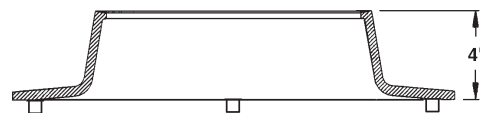
Designed primarily for lawn installations.

### Meter Box Cover

- Designed to rest on top of frame
- Contact factory for additional recessed pad and hole configurations
- Standard locking lid

### Meter Box Frame

- Allows an 11 1/2” or 15” clear opening
- Centering lugs for 18”, 20”, or 21” tiles



## Standard “C” Style Non-Recessed Frame & Cover Set

Part No.	Model	Frame/ Tile Size	Cover Opening Size	EA/WT	Price
4174-026	74M32C	18”	*11 1/2”	1/32	\$134.20
4174-027	74M3C	20”	*11 1/2”	1/37	\$169.47
4173-071	74M4C	21”	*11 1/2”	1/43	\$250.16
4174-028	74M52C	18”	15”	1/35	\$219.46
4174-230	74M53C	20”	15”	1/40	\$260.93

## “C” Style - Frame Only

Part No.	Model	EA/WT	Price
4174-540	74MCF18	1/22	\$71.59
4174-545	74MCF20	1/25	\$106.86
4174-299	74MCF21	1/33	\$187.54
4174-548	74MCF18X15	1/19	\$83.57
4174-790	74MCF20X15	1/27	\$125.03

## “C” Style - Cover Only

Part No.	Model	EA/WT	Price
4174-035	74MCL115	1/10	\$62.61
4174-035	74MCL115	1/10	\$62.61
4174-035	74MCL115	1/10	\$62.61
4174-038	74MCL15	1/17	\$135.90

\*Available With x800 Plastic Lid



Spiked “AC”

## Standard “AC” Style - Recessed Frame & Cover Set

Part No.	Model	Frame/ Tile Size	Cover Opening Size	EA/WT	Price
4174-042	74M32AC	18”	11 1/2”	1/34	\$185.56
4173-306	74M3AC	20”	11 1/2”	1/34	\$262.68

## “AC” Style - Frame Only

Part No.	Model	EA/WT	Price
4174-870	74MACF18	1/24	\$144.63
4174-435	74MACF20	1/27	\$185.67

## “AC” Style - Cover Only

Part No.	Model	EA/WT	Price
4174-035	74MCL115	1/10	\$62.61
4174-035	74MCL115	1/10	\$62.61

## Options Available on “C” Type Cover (Add to Above “Cover Only”)

Options	74MCL115	74MCL15	Plastic Lid	Add
LB - Large pentagon bolt	•	•	•	N/C
RG - Recessed oblong hole	•			\$4.54
T - 2” offset hole	•	•		\$4.54
TT - Two 2” holes	•	•		\$9.06
TC - 2” center hole	•	•		\$4.54
P - 2” hole plug	•	•		\$8.51
PP - Two 2” hole plugs	•	•		\$17.01
NL - No lock in lid	•			N/C
SW - Sewer Marking	•			N/C
X800 - Plastic lid	•			N/C
RTC - Recessed Center Hole			•	\$4.54

Meter Pit Frames & Covers



## 74MW Series - Frames & Covers

"W" STYLE



"W" Style

### Recessed Cover, Cast Iron Frame with Plastic Inner Lid

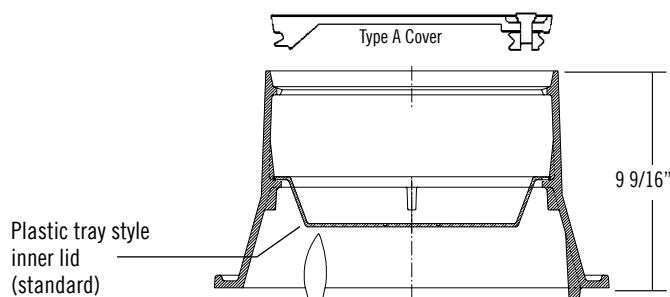
"W" style frame and cover is designed for lawn or sidewalk installations and comes with a standard pentagon locking lid. This design also comes standard with a plastic inner lid that creates a "dead air" space for greater frost protection.

#### Meter Box Cover

- Designed to recess down into frames
- Standard locking lid
- Contact factory for additional recessed pad and hole configurations

#### Meter Box Frame

- Allows an 11 7/16" clear opening
- Centering lugs for 18", 20", or 21" tiles
- Slotted to pass inner lid
- One-piece frame
- Plastic inner lid is provided as standard



\*Available With x800 Plastic Lid

### Standard "W" Style Frame and Coverset with Inner Lid

Part No.	Model	Frame/ Tile Size	Cover Opening Size	EA/WT	Price
4174-016	74M32W	18"	*11 1/2"	1/52	\$273.31
4174-017	74M3W	20"	*11 1/2"	1/60	\$298.32
4174-018	74M4W	21"	*11 1/2"	1/78	\$371.59

### "W" Style - Frame Only

Part No.	Model	EA/WT	Price
4174-306	74MWF18	1/40	\$218.85
4174-307	74MWF20	1/49	\$243.87
4174-308	74MWF21	1/50	\$317.14

### "W" Style - A Cover Only

Part No.	Model	EA/WT	Price
4174-012	74MAL115	1/11	\$54.45
4174-012	74MAL115	1/11	\$54.45
4174-012	74MAL115	1/11	\$54.45

\*Available With x800 Plastic Lid

Inner Lids Below Purchase Separately

### Plastic Inner Lid - Tray Style (standard)

Part No.	Model	EA/WT	Price
4173-087	74MPILT	1/1	\$10.70

### Plastic Inner Lid

Part No.	Model	EA/WT	Price
4174-056	74MPIL	1/2	\$10.14

### Aluminum Inner Lid

Part No.	Model	EA/WT	Price
4174-057	74MAIL	1/2	\$63.46

### Options Available on "W" Type Cover (Add to Above "Cover Only")

Options	74MAL115	74MAL115H	Plastic Lid	Add
LB - Large pentagon bolt	•	•	•	N/C
H - Heavy Duty	•			\$81.51
RG - Recessed oblong hole	•	•		\$4.54
RRGG - Double recessed oblong hole	•			\$9.06
T - 2" offset hole	•	•		\$4.54
TT - Two 2" holes	•	•		\$9.06
TC - 2" center hole	•	•	•	\$4.54
P - 2" hole plug	•	•		\$8.51
PP - Two 2" hole plugs	•	•		\$17.01
NL - No lock in lid	•	•		N/C
X800 - Plastic lid	•			N/C

For frame and cover set with aluminum inner lid in place of plastic. Add "A" to model and \$52.76 to list. (example: 74M3WA)





# 74M Series - Frames & Covers

MONITOR STYLE



74M36 Assembly-Flange, Riser-Ring, Cover

Monitor Cover, Riser Ring, & Flange for 24", 27", 30", & 36" Diameter Pits  
Monitor assembly provides 20" clear opening access to meter pit and a standard pentagon locking lid. Optional cast iron inner lid and extra heavy cover available upon request.

### Meter Box Cover

- Designed to recess into top of riser ring
- Contact factory for additional recessed pad and hole configurations\
- Standard pentagon locking lid

### Meter Box Riser Ring

- Provides 20" opening to meter settings 6" height

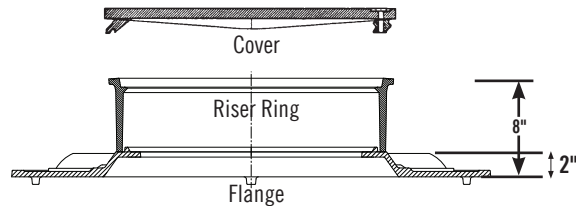
### Meter Box Flange

- Available for 24", 27", 30", or 36" Inside Diameter tile

### Monitor Style Cover, Riser, & Flange Set

Part No.	Model	Frame/ Tile Size	Cover Opening Size	EA/WT	Price
4174-060	74M24	24"	*20"	1/125	\$682.21
4173-153	74M27	27"	*20"	1/130	\$748.89
4174-061	74M30	30"	*20"	1/146	\$825.13
4174-062	74M36	36"	*20"	1/205	\$1,227.51

\*Available With x800 Plastic Lid



### Flange Only

Part No.	Model	Frame/ Tile Size	EA/WT	Price
4174-549	74MF1000	24"	1/34	\$176.40
4173-143	74MF1005	27"	1/55	\$243.22
4174-550	74MF1010	30"	1/66	\$319.31
4174-551	74MF1020	36"	1/116	\$724.12

### Riser Ring Only

Part No.	Model	EA/WT	Price
4174-559	74MR1000	1/53	\$288.62
4174-559	74MR1000	1/53	\$288.61
4174-559	74MR1000	1/53	\$288.61
4174-559	74MR1000	1/53	\$288.61

### Monitor Cover Only

Part No.	Model	EA/WT	Price
4174-063	74ML20	1/43	\$217.21
4174-063	74ML20	1/43	\$217.21
4174-063	74ML20	1/43	\$217.21
4174-063	74ML20	1/43	\$217.21

### Options Available with Monitor Type Cover (Add to Above "Cover Only")

Options	74ML20	Plastic Lid	Add
LB - Large pentagon bolt	•	•	N/C
RG - Recessed oblong hole	•		\$47.38
T - 2" offset hole	•		\$47.38
TT - Two 2" holes	•		\$54.76
RT - Recessed offset hole		•	\$47.38
P - 2" hole plug	•	•	\$8.51
PP - Two 2" hole plugs	•		\$17.01
NL - No lock in lid	•		N/C
X800 - Plastic lid	•		N/C

### Riser Ring & Cover Only

Part No.	Model	EA/WT	Price
4174-217	74MRL	1/93	\$468.57

Cast iron inner lid added to frame and cover \$137.60. Add "IL" to model number (example: 74M36IL)  
Cast Iron Inner Lid - 74MIL sold separate \$137.60

Meter Pit Frames & Covers

## 74MPR Series - Frames & Covers

“PR” STYLE



Frame



Cover

### Pit Ring & Cover

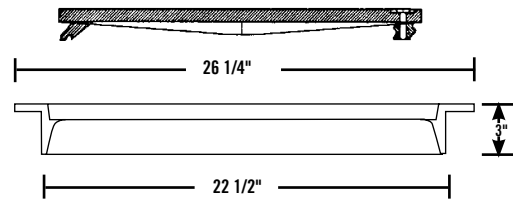
Pit ring (26” diameter) and cover (20” diameter) are designed to be set into concrete and comes with a standard pentagon locking lid.

### Meter Box Cover

- Designed to recess into top of ring
- Standard locking lid
- Contact factory for additional recessed pad and hole configurations

### Meter Box Ring

- Round pit ring is made up of a 26” flanged ring and a 20” cover



### “PR” Style - Pit Ring & Cover Set

Part No.	Model	Frame/ Tile Size	Cover Opening Size	EA/WT	Price
4174-085	74MPR10	26”	*20”	1/79	\$451.70

### “PR” Style - Ring Only

Part No.	Model	EA/WT	Price
4174-560	74MR1010	1/37	\$234.49

### “PR” Style - Cover Only

Part No.	Model	EA/WT	Price
4173-084	74ML20	1/13	\$217.21

\*Available With x800 Plastic Lid

### Options Available on “PR” Type Monitor Cover (Add to Above “Cover Only”)

Options	74ML20	Plastic Lid	Add
LB - Large pentagon bolt	•	•	N/C
RG - Recessed oblong hole	•		\$47.38
T - 2” offset hole	•		\$47.38
TT - Two 2” holes	•		\$54.76
RT - Recessed offset hole		•	\$47.38
P - 2” hole plug	•	•	\$8.51
PP - Two 2” hole plugs	•		\$17.01
NL - No lock in lid	•		N/C
X800 - Plastic lid	•		N/C





# 74R Series - Frames & Covers

“R” STYLE



74R32A Assembly

## Rotational Frames & Covers

Adjustable frame allows up to a maximum 6½” change in grade and comes with a standard pentagon locking lid. Frames are available to fit both 18” and 20” inside dimension tile sizes. Model numbers designated with “AC” accept both “A” and “C” style covers.

## Meter Box Cover

- Designed to recess into top of riser ring
- Contact factory for additional recessed pad and hole configurations

## Meter Box Riser Ring

- Provides 11 ½” opening to meter settings
- In combination with flange adjusts from flush to 6 ½”

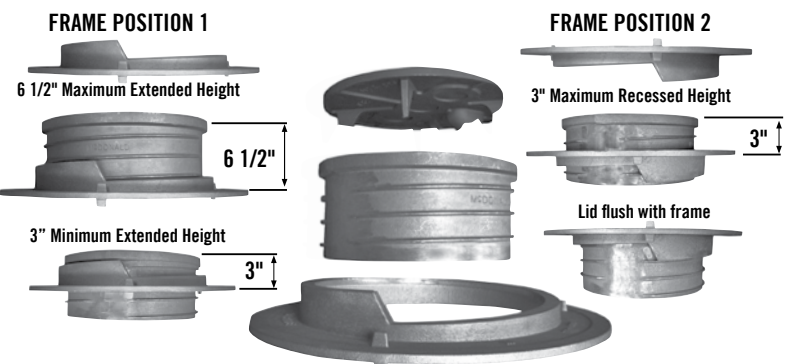
## Meter Box Flange

- Available for 18” and 20” tile Inside Diameter (I.D.) size

## “R” Style - Rotational Frame & Cover Set

Part No.	Model	Frame/ Tile Size	Cover Opening Size	EA/WT	Price
4174-489	74R32A	18”	*11 1/2”	1/55	\$292.36
4174-498	74R32AC	18”	*11 1/2”	1/53	\$300.51
4174-490	74R3A	20”	*11 1/2”	1/63	\$382.91
4174-499	74R3AC	20”	*11 1/2”	1/59	\$391.07

\*Available With x800 Plastic Inner Lids



## “R” Style - Frame Only

Part No.	Model	EA/WT	Price
4174-487	74RF18	1/25	\$107.03
4174-487	74RF18	1/25	\$107.03
4174-488	74RF20	1/32	\$190.84
4174-488	74RF20	1/32	\$190.84

## “R” Style - Adjustable Riser Only

Part No.	Model	EA/WT	Price
4174-486	74RACMR	1/20	\$110.50
4174-486	74RACMR	1/20	\$110.49
4174-486	74RACMR	1/20	\$110.49
4174-486	74RACMR	1/20	\$110.49

## “R” Style - Cover Only

Part No.	Model	EA/WT	Price
4174-012	74MAL115	1/10	\$54.45
4174-035	74MCL115	1/10	\$62.61
4174-012	74MAL115	1/10	\$54.45
4174-035	74MCL115	1/10	\$62.61

## Options Available on “R” Type Cover

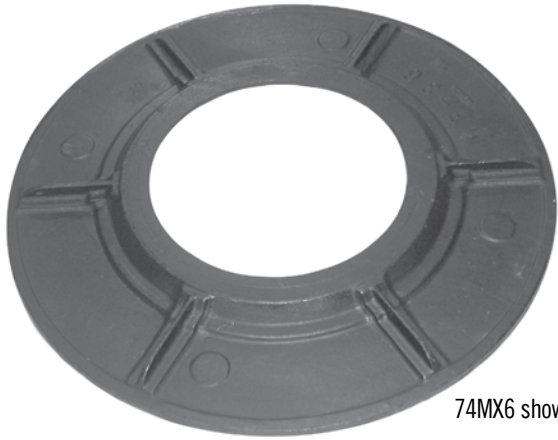
Options	74MAL115	74MCL115	A-Plastic Lid	C-Plastic Lid	Add
LB - Large pentagon bolt	•	•	•	•	N/C
H - Heavy Duty	•				\$81.51
RG - Recessed oblong hole	•	•			\$4.54
RRGG - Double recessed oblong hole	•				\$9.06
T - 2” offset hole	•	•			\$4.54
TT - Two 2” holes	•	•			\$9.06
TC - 2” center hole	•	•	•	•	\$4.54
RTC - Recessed center hole				•	\$4.54
P - 2” hole plug	•	•			\$8.51
PP - Two 2” hole plugs	•	•			\$17.01
NL - No lock in lid	•	•			N/C
SW - Sewer Marking		•			N/C
X800 - Plastic lid	•	•			N/C

Meter Pit Frames & Covers



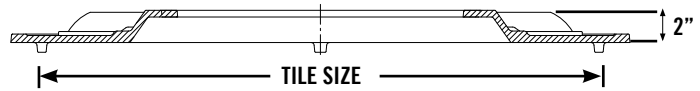
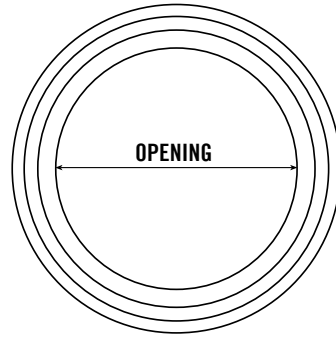
## Extension Rings

REDUCING FLANGE FOR LARGE SETTINGS



74MX6 shown

Extension rings adapt 24", 30", and 36" tile Inside Diameter (I.D.) sizes to an 18" or 20" opening.

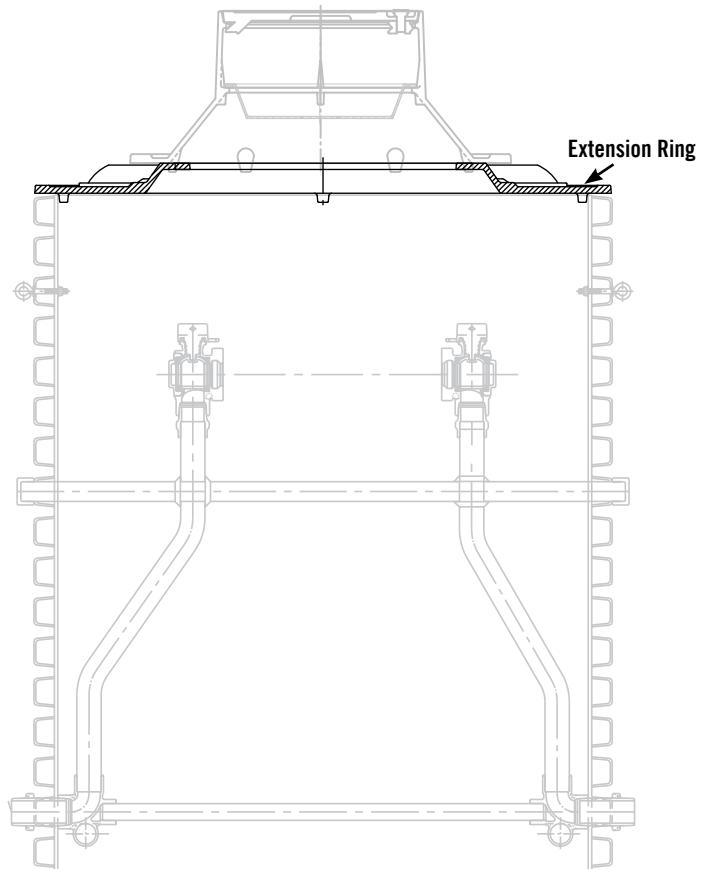


### Extension Rings

Part No.	Model	Opening	Tile Size	EA/WT	Price
4174-091	74MX1	18"	24"	1/23	\$177.32
4174-092	74MX2	20"	24"	1/18	\$177.32
4174-093	74MX3	18"	30"	1/66	\$310.44
4174-094	74MX4	20"	30"	1/62	\$310.44
4174-095	74MX5	20"	36"	1/118	\$718.69
4174-096	74MX6	18"	36"	1/121	\$718.69

### NOTES

- 24" Ring does not include support ribs



## 90L Series

### PIT LIDS

These cast iron lids are designed to fit 15", 18", and 21" A.Y. McDonald PVC meter pits. They are designed for lawn or sidewalk installations and come with a standard pentagon locking device.



15" and 18" also available in plastic. Add x800 to above lid models (example: 90L15 x800)

#### Flat Lid

	90L	15	18	21	OPTIONS
Locking		\$159.29*	\$163.09*	\$235.59	-
Center Locking		\$120.46	\$134.92	\$228.01	CL
Non-Locking		\$82.13	\$94.98	N/A	K
Non-Locking (with Stabilizing Legs)		\$141.09	\$144.89	\$217.39	N
Non-Locking Offset Hole		\$145.63	\$149.43	\$221.93	NT
Non-Locking Center Hole		\$145.63	\$149.43	\$221.93	NTC
Non-Locking Recessed 2" Hole		\$145.63	\$149.43	N/A	NRG
Locking Recessed 2" Hole		\$163.81	\$167.63	N/A	RG
Locking Offset Hole		\$163.81	\$167.63	\$240.13	T
Locking Center Hole		\$163.81*	\$167.63*	\$240.13	TC

\*Available with Plastic Locking Lid

Pit Options Order Separately

#### Lid Selection Example

90L	15	CL	X800
90L / Diameter Lid Option		For Plastic Locking Lid	

Lid locks to internal bracket



Coil Style Pit

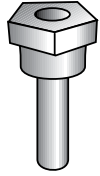
Lid fits directly onto PVC Pit. No frame required.



Riser Style Pit

## Accessories

### Worm Gear Lock Assemblies



**74MSBA** - Small Bolt (standard) assembly  
**74MLBA** - Large Bolt assembly

Pentagon bolt  
**74MSB** - Small Bolt (standard)  
**74MLB** - Large Bolt



**74MPW** - Plastic washer



**74MCW** - Copper washer



**74MG** - Worm gear

#### 74MSBA

Small Bolt & Gear Assembly

Part No.	Carton PCS/WT	Price
4174-196	10/4	\$18.20

#### 74MPW

Plastic Washer

Part No.	Carton PCS/WT	Price
4174-503	1/1	\$0.39

#### 74MLBA

Large Bolt & Gear Assembly

Part No.	Carton PCS/WT	Price
4174-197	1/1	\$18.20

#### 74MCW

Copper Washer

Part No.	Carton PCS/WT	Price
4174-504	1/1	\$0.99

#### 74MSB

Small Pentagon Bolt

Part No.	Carton PCS/WT	Price
4174-500	1/1	\$7.99

#### 74MG

Worm Gear

Part No.	Carton PCS/WT	Price
4174-269	10/3	\$8.71

#### 74MLB

Large Pentagon Bolt

Part No.	Carton PCS/WT	Price
4174-501	1/1	\$8.00

### Recessed Pad Gasket

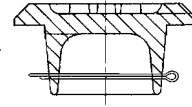
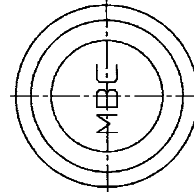
#### 74MGSKT

Fits 4 1/2" recessed pad to cover oblong hole when required.

Part No.	Carton PCS/WT	Price
4173-070	10/1	\$26.07



### 2" Hole Plugs



**74MCIPL** - Cast iron plug with cotter pin

#### 74MCIPL

Cast Iron Plug w/Cotter Pin

Part No.	Size	Carton PCS/WT	Price
4174-059	1 3/4"	1/1	\$8.51

#### 74MPPL

Plastic Plug and Nut

Part No.	Size	Carton PCS/WT	Price
4173-142	2"	10/3	\$23.13

#### 74MKEY

Meter Box Key #2

Part No.	Carton PCS/WT	Price
4174-508	1/1	\$44.34

#### 74PN

Cotter Pin Only - Zinc

Part No.	Carton PCS/WT	Price
4174-267	50/1	\$2.67

#### 74PNB

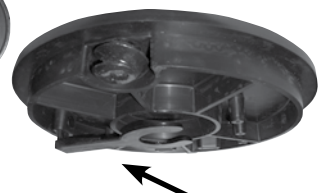
Cotter Pin Only - Brass

Part No.	Carton PCS/WT	Price
4173-020	50/1	\$2.98

### 90-ERT Bracket

Mounting bracket for ERT (Encoder Receiver Transmitter) For plastic lid.

Part No.	Carton PCS/WT	Price
4189-152	1/1	\$9.90



ERT Mount Bracket



# Cover Options

## 74M SERIES

74ML20



"T"  
Option



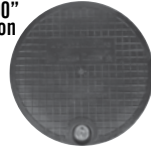
"TT"  
Option



"RG"  
Option



"X800"  
Option



## 74MA SERIES

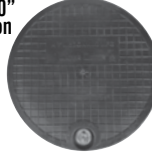
74MAL



"RG"  
Option



"X800"  
Option



## 74MC SERIES

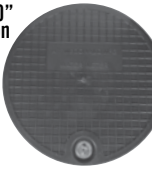
74MCL



"RG"  
Option



"X800"  
Option



## 74MPR SERIES

74ML20



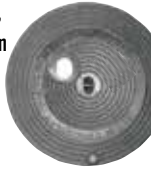
"T"  
Option



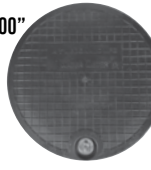
"TT"  
Option



"RG"  
Option



"X800"  
Option



## 74MW SERIES

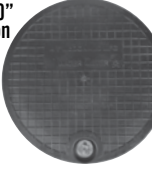
74MAL



"RG"  
Option



"X800"  
Option



## 74MX SERIES

74MXL



"RG"  
Option



## 74R SERIES

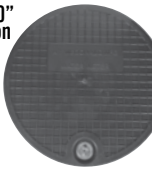
74MCL



"RG"  
Option



"X800"  
Option



## 90L SERIES

"RG"  
Option



"T"  
Option



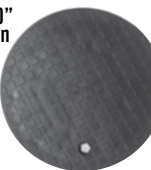
"TC"  
Option



"TT"  
Option



"X800"  
Option



Meter Pit Frames & Covers









**WITHOUT  
YOU  
THERE IS  
NO US.**



# Iron Yokes

January 11, 2022 - Revised July 2024



## Yoke Bars



Standard

Part No.	Model	Meter Size	Carton PCS/WT	Price
4139-201	14-1	5/8"	10/35	\$23.87
4139-202	14-2	5/8" x 3/4"	10/35	\$24.98
4139-245	14-3	3/4"	10/40	\$28.44
4139-271	14-4	1"	5/31	\$45.04



Pronged

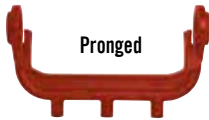
Part No.	Model	Meter Size	Carton PCS/WT	Price
4139-313	14-1P	5/8"	10/43	\$25.89
4139-314	14-2P	5/8" x 3/4"	10/37	\$26.79
4139-315	14-3P	3/4"	10/47	\$30.76
4139-316	14-4P*	1"	5/31	\$46.89

\*Single Pronge



With Integral FNPT Outlet

Part No.	Model	Meter Size	Carton PCS/WT	Price
4139-317	14-1F	5/8"	10/42	\$31.98
4139-318	14-2F	5/8" x 3/4"	10/42	\$32.14



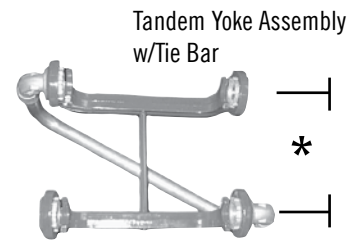
Pronged

Part No.	Model	Meter Size	Carton PCS/WT	Price
4141-441	14-1PR	5/8"	10/43	\$29.64
4141-431	14-2PR	5/8" x 3/4"	10/37	\$30.63
4141-443	14-3PR	3/4"	10/47	\$35.17
4141-433	14-4PR	1"	5/31	\$53.63



Optional

Part No.	Model	Meter Size	Carton PCS/WT	Price
4141-440	14-1R	5/8"	10/35	\$27.31
4141-430	14-2R	5/8" x 3/4"	10/42	\$28.57
4141-442	14-3R	3/4"	10	\$32.54
4141-432	14-4R	1"	10	\$51.51



Tandem Yoke Assembly w/Tie Bar

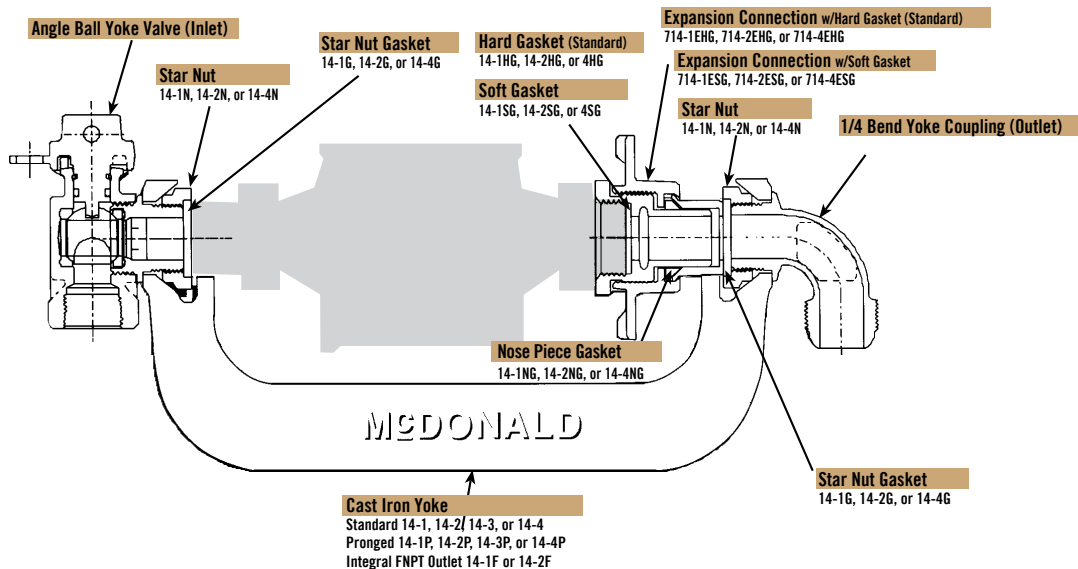
Dual Yoke Assembly with Tie Bar



Part No.	Model	Size	*Inner Dimensions	Carton PCS/WT	Price
	14-1-1TB	5/8"	7 1/2"	3/24	\$85.81
4138-191	14-2-2TB	5/8" x 3/4"	7 1/2"	3/24	\$88.33
4138-032	14-3-3TB	3/4"	7 1/2"	3/27	\$100.23
4139-096	14-4-4TB	1"	9"	3/54	\$128.46

Part No.	Model	Size	Carton PCS/WT	*Inner Dimensions	Price
5140-097	714-1-1TAN	5/8"	4/40	7.50"	\$223.73
5141-394	714-1-1TAN x6.50	5/8" x 6.50	4/24	6.50"	\$223.73
5146-321	714-2-2TAN	5/8" x 3/4"	4/24	7.50"	\$223.73
5142-491	714-3-3TAN	3/4"	4/24	7.50"	\$230.69
5142-492	714-4-4TAN	1"	4/94	9.00"	\$263.50

A.Y. McDonald offers a complete line of yoke assemblies and packages. Contact factory for assistance.



### NOTES

- All cast brass parts comply with latest revision of AWWA C800.
- Yoke bar material is ASTM A126 Class B cast iron.
- All rubber gaskets are EPDM.
- Ball valves are rated at 300 PSIG water pressure - (See Meter Valve section).
- Plug valves are rated at 100 PSIG water pressure - (See Meter Valve section).
- Optional is powder coated.
- Cast iron yoke has support lip to hold meter and expander during installation.
- Three piece brass expander has large tightening spokes and includes two star nut gaskets.



# Expansion Connection

## HAND WHEEL STYLE



### Expander with Hard Meter Gaskets

Part No.	Model	Meter Size	Price
5139-034	714-1EHG	5/8"	\$39.20
5139-035	714-2EHG	5/8" x 3/4" or 3/4"	\$44.44
5139-274	714-4EHG	1"	\$74.64

Includes 2 star nut meter gaskets

### Expander with Soft Meter Gaskets



Part No.	Model	Meter Size	Price
5139-203	714-1ESG	5/8"	\$39.20
5139-204	714-2ESG	5/8" x 3/4" or 3/4"	\$44.44
5139-485	714-4ESG	1"	\$74.64

Includes 2 star nut gaskets

## WRENCH STYLE



### Expander with Hard Meter Gaskets

Part No.	Model	Meter Size	Price
5139-426	714-1WEHG	5/8"	\$39.20
5139-427	714-2WEHG	5/8" x 3/4" or 3/4"	\$44.44
5139-428	714-4WEHG	1"	\$74.64

Includes 2 star nut meter gaskets

## CHECK VALVE & LOCK VERSIONS

### 5/8" Meter

#### 714-1EDC

Yoke Expander with Dual Check



Part No.	Size	Carton PCS/WT	Price
5146-275	5/8"	20/14	\$75.82

### 5/8" x 3/4" & 3/4" Meter

#### 714-2EDC

Yoke Expander with Dual Check



Part No.	Size	Carton PCS/WT	Price
5146-276	5/8" x 3/4" or 3/4"	20/21	\$81.07

### 1" Meter

#### 714-4ESC

Yoke Expander with Single Check



Part No.	Size	Carton PCS/WT	Price
5146-277	1"	18/33	\$116.77

### 714-1E--LCK

Yoke Expander with Lock



Part No.	Size	Carton PCS/WT	Price
5146-280	5/8"	20/15	\$75.38

### 714-2E--LCK

Yoke Expander with Lock



Part No.	Size	Carton PCS/WT	Price
5146-282	5/8" x 3/4" or 3/4"	20/22	\$85.47

### 714-4E--LCK

Yoke Expander with Lock



Part No.	Size	Carton PCS/WT	Price
5146-284	1"	18/33	\$129.42

### 714-1EDCLCK

Yoke Expander w/Dual Check and Lock



Part No.	Size	Carton PCS/WT	Price
5146-279	5/8"	20/30	\$111.99

### 714-2EDCLCK

Yoke Expander w/Dual Check and Lock



Part No.	Size	Carton PCS/WT	Price
5146-281	5/8" x 3/4" or 3/4"	20/22	\$122.10

### 714-4ESCLCK

Yoke Expander w/Single Check and Lock



Part No.	Size	Carton PCS/WT	Price
5146-283	1"	18/33	\$171.58

### 14-TPS1

Left hand screw



Part No.	Size	Carton PCS/WT	Price
4146-286	3/8"	20/2	\$5.54

### 14-KEY1

Yoke TPS1 Key

Part No.	Size	Carton PCS/WT	Price
4146-285		1/1	\$63.50



## 714U Yoke Expander

A.Y. McDonald Mfg. Series 714U Style UFR Yoke Expansion Connection is an innovative design that allows low volumes of water usage (previously unmeasured by the water meter) to be measured simply by batching the usage. Studies show that 5% to 10% of total water consumption is lost due to low, unmeasured flows.

### FOR 5/8" X 3/4" & 3/4" WATER METERS

- Cast brass housing construction conforms to AWWA C-800 (latest revision)
- Self-cleaning internal components
- Includes two star nut gaskets
- For use with Volumetric (Positive Displacement) & Multi-Jet meters
- Designed to be installed on the inlet of the meter
- UFR is directional



### How to Order

#### Order Model 714U2E X950



**714**  
Basic UFR Valve  
Model Number  
714U = UFR Yoke  
Expander

**U**  
**2**  
Meter  
Size  
2 = 5/8" x 3/4" or 3/4"

**E**  
Inlet & Outlet  
Connection

Space

**X950**  
UFR Type

E = Yoke Expander - All Iron Yoke & Non-Ball Valve Yokes Boxes  
EYBV = Yoke Expander - Only for Yoke Box and Long Yoke box with Ball Valve Inlet

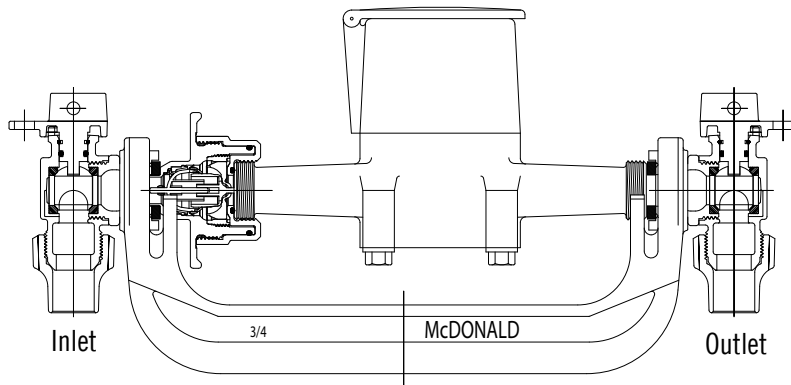
X950 = Volumetric (Positive Displacement Meter) with Backflow Prevention

X951 = Volumetric (Positive Displacement Meter) No Backflow Prevention (NCV)

X960 = Multi-Jet Meter with Backflow Prevention

X961 = Multi-Jet Meter No Backflow Prevention (NCV)

Contact factory with name of meter, manufacturer, and model number for assistance in determining appropriate UFR or see table on the following page.



### 714U2E

Expansion Connections

Part No.	Size	Carton PCS/WT	Price
5032-083	X950	10/15	\$212.27
5032-084	X951	10/15	\$224.75
5032-085	X960	10/15	\$212.27
5032-086	X961	10/15	\$224.75

### 714U2EYBV

Expansion Connections - Yoke Ball Valve only

Part No.	Size	Carton PCS/WT	Price
5032-131	X950	10/15	\$212.27
5032-132	X951	10/15	\$224.75
5032-133	X960	10/15	\$212.27
5032-134	X961	10/16	\$224.75



# 714U Yoke Expander

Meter Manufacturer	Model(s)	Measurement Element	Meter Type	➔	UFR Type	UFR Marking	No Check UFR Marking
Neptune	T10	Nutating Disc	Volumetric Displacement Positive Displacement (PD)	➔	Volumetric	UFR - V	UFR - V - NCV
Badger	25 - 35						
Hersey	400 Series - II's						
Sensus / Rockwell	SR - SR11	Oscillating Piston	Volumetric Displacement Positive Displacement (PD)	➔	Volumetric	UFR - V	UFR - V - NCV
Elster / Kent Amco	C700						
Master Meter	MMPD						
Master Meter	BLMJ - MMMJ	Multi-Jet	Velocity	➔	Multi-Jet	UFR - M2	UFR - M2 - NCV
Sensus	PMM						
Elster Amco	M140 (MO-C)						
Hays	MR - MT						
Precision	PM - PMM						
Sensus	iPERL	Magnetic	Solid State	➔	N/A	N/A	N/A
Badger	E-Series	Ultrasonic					
Elster	SM-700	Fluidic Oscillation					
Actaris	MC15 - MC20 MSD - TN11	Single Jet	Velocity	➔	Contact Factory	Contact Factory	Contact Factory
		Multi-Jet	Velocity		Contact Factory	Contact Factory	Contact Factory
		(not sold in US)	Velocity		Contact Factory	Contact Factory	Contact Factory

Meter shall comply with the AWWA C700-90 accuracy requirements as specified in section 3.8 of the standard.

## UFR For Iron Yoke

### SINGLE INLINE CARTRIDGE STYLE

#### 7201C3YE

Star Nut x FNPT



Part No.	Size	Carton PCS/WT	Price
5032-099	331	10/10	\$199.38
5032-225	331 x 001	10/10	\$211.89
5032-100	332	10/10	\$199.38
5032-226	332 x 001	10/10	\$211.89

#### 7201C3Y2

Star Nut x -22 CTS



Part No.	Size	Carton PCS/WT	Price
5032-111	331	10/10	\$222.07
5032-237	331 x 001	10/10	\$234.55
5032-112	332	10/10	\$222.07
5032-238	332 x 001	10/10	\$234.55

### SINGLE ANGLE CARTRIDGE STYLE

#### 7202-3YE

Star Nut x FNPT Angle UFRs



Part No.	Size	Carton PCS/WT	Price
5032-195	231	12/20	\$213.44
5032-197	231 x 001	12/20	\$225.93
5032-196	232	12/20	\$213.44
5032-198	232 x 001	12/20	\$225.93
5032-199	331	12/19	\$213.44
5032-201	331 x 001	12/20	\$225.93
5032-200	332	12/20	\$213.44
5032-202	332 x 001	12/20	\$225.93

#### 7202-3Y2

Star Nut x 22 CTS

Part No.	Size	Carton PCS/WT	Price
5032-183	231	12/22	\$231.59
5032-185	231 x 001	12/22	\$244.07
5032-184	232	12/22	\$231.59
5032-186	232 x 001	12/22	\$244.07
5032-187	331	12/22	\$231.59
5032-189	331 x 001	12/22	\$244.07
5032-188	332	12/22	\$231.59
5032-190	332 x 001	12/22	\$244.07

#### 7202-3YV

Star Nut x Q CTS



Part No.	Size	Carton PCS/WT	Price
5032-288	331	12/22	\$231.59

- For Test Port/Drain in Cap Add \$22.40 to list price and replace "-" in model number with "W".

### DUAL INLINE CARTRIDGE STYLE

#### 7211-3YF

Star Nut x FNPT



Part No.	Size	Carton PCS/WT	Price
5032-091	331	1/2	\$280.57
5032-092	332	1/2	\$280.57

#### 7211-3YC

Star Nut x -22 CTS



Part No.	Size	Carton PCS/WT	Price
5032-089	331	1/3	\$286.29
5032-090	332	1/3	\$286.29

#### 7211-4YF

Star Nut x FNPT

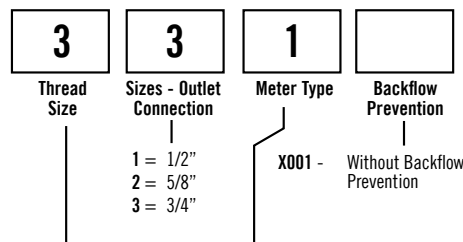
Part No.	Size	Carton PCS/WT	Price
5032-319	441	1/4	\$448.71

### INLINE ACCESSIBLE DUAL CHECK

#### 7214-3YE

Star Nut x FNPT

Part No.	Size	Carton PCS/WT	Price
5032-045	231	12/31	\$285.14
5032-046	232	12/31	\$285.14
5032-047	331	12/29	\$285.14
5032-048	332	12/29	\$285.14



For Iron Yokes use the following designation

METER SIZE	THREAD SIZE	THREAD DESIGNATION
5/8"	-	2
5/8" x 3/4"	-	3
3/4"	-	3
1"	-	4

- 1 - Volumetric Meter (V) Positive Displacement
- 2 - Multi-Jet Meter (M2) Contact factory with name of meter, manufacturer, and model number for assistance in determining appropriate UFR or see table on the following page.





# UFR For Iron Yoke

## ANGLE DUAL STYLE

### 7212-3Y2

Star Nut x -22 CTS

Part No.	Size	Carton PCS/WT	Price
5031-227	231	6/14	\$322.37
5031-228	232	6/14	\$322.37
5032-221	331	6/14	\$322.37
5032-222	332	6/14	\$322.37

### 7212-3YR

Star Nut x Copper Flare

Part No.	Size	Carton PCS/WT	Price
5032-209	231	6/13	\$320.66
5031-220	232	6/13	\$320.66
5032-207	331	6/14	\$320.66
5032-208	332	6/14	\$320.66

### 7212-3YU

Star Nut x G CTS

Part No.	Size	Carton PCS/WT	Price
	231	6/13	\$320.66
	232	6/13	\$320.66
	331	6/13	\$320.66
5032-279	332	6/13	\$320.66

### 7212-3YT

Star Nut x T CTS

Part No.	Size	Carton PCS/WT	Price
5031-225	231	6/13	\$322.37
5031-226	232	6/14	\$322.37
5031-229	331	6/17	\$322.37
5032-220	332	6/17	\$322.37

### 7212-3YQ

Star Nut x Q CTS

Part No.	Size	Carton PCS/WT	Price
5031-221	231	6/15	\$322.37
5031-222	232	6/15	\$322.37
5031-223	331	6/14	\$322.37
5031-224	332	6/14	\$322.37

### 7212-3YE

Star Nut x FNPT

Part No.	Size	Carton PCS/WT	Price
5032-009	231	6/15	\$290.43
5032-010	232	6/15	\$290.43
5032-011	331	6/11	\$290.43
5032-012	332	6/15	\$290.43

- For Test Port/Drain in Cap Add \$22.40 to list price and replace "-" in model number with "W".

## Wrenches



### Star Nut Wrenches

Part No.	Model	Meter Size	Carton PCS/WT	Price
4139-421	14-2SNW	5/8", 5/8" x 3/4" or 3/4"	5/2	\$8.66
4139-422	14-4SNW	1"	5/2	\$8.66



### Expander Wrenches

Part No.	Model	Meter Size	Carton PCS/WT	Price
4139-423	14-1EW	5/8"	5/5	\$19.07
4139-424	14-2EW	5/8" x 3/4" or 3/4"	5/5	\$21.00



### Expander Wrench

Part No.	Model	Meter Size	Carton PCS/WT	Price
4139-425	14-4EW	1"	5/7	\$30.84

## Star Nuts & Gaskets



### Expander Fiber Gasket - Hard

Part No.	Model	Meter Size	Carton PCS/WT	Price
4139-336	14-1HG	5/8"	25/1	\$2.23
4139-337	14-2HG	5/8" x 3/4" or 3/4"	25/1	\$2.77
4139-338	14-4HG	1"	10/1	\$3.28



### Star Nuts

Part No.	Model	Meter Size	Carton PCS/WT	Price
4139-247	14-1N	5/8"	10/2	\$3.36
4139-248	14-2N	5/8" x 3/4" or 3/4"	10/2	\$3.36
4139-272	14-4N	1"	10/3	\$5.90

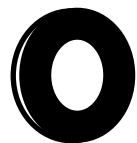
### Expander Rubber Gasket - Soft

Part No.	Model	Meter Size	Carton PCS/WT	Price
4139-486	14-1SG	5/8"	25/1	\$1.15
4139-487	14-2SG	5/8" x 3/4" or 3/4"	25/1	\$1.46
4139-488	14-4SG	1"	25/1	\$1.71



### Star Nut Gaskets

Part No.	Model	Meter Size	Carton PCS/WT	Price
4139-249	14-1G	5/8"	25/1	\$0.46
4139-250	14-2G	5/8" x 3/4" or 3/4"	25/1	\$0.62
4139-273	14-4G	1"	10/1	\$0.69



### Expander Beveled Nose Piece Gasket

Part No.	Model	Meter Size	Carton PCS/WT	Price
4139-339	14-1NG	5/8"	25/1	\$1.29
4139-340	14-2NG	5/8" x 3/4" or 3/4"	25/1	\$1.55
4139-341	14-4NG	1"	10/1	\$2.02



### Expander Wheel

Part No.	Model	Meter Size	Carton PCS/WT	Price
4131-280	14-1EWH	5/8"	50/16	\$14.27
4142-455	14-2EWH	3/4"	50/20	\$27.89

### Nose Piece Gasket - Bulk

Part No.	Model	Meter Size	Carton PCS/WT	Price
4139-374	14Z1NG	5/8"	500/2	\$1.29
4139-375	14Z2NG	3/4"	500/3	\$1.55
4139-376	14Z4NG	1"	500/4	\$2.02



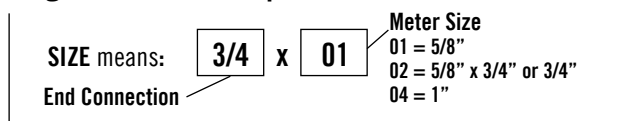
# Angle Yoke Valves - Plug Style

PLUG STYLE - 100 PSI - LOCKWING | FOR 5/8", 5/8" x 3/4", 3/4", OR 1" METERS

A.Y. McDonald angle yoke plug valves include a meter star nut for connection to iron yoke bars and a wide variety of inlet configurations. These angle valves come standard with 180° "open to close" operating head and are directional with an arrow to indicate the direction of flow.

- Insert stiffeners are required on all flexible plastic connections.

### Plug Valve Size Description



## 74602Y

Flare x Star Nut



Part No.	Size	Carton PCS/WT	Price
5124-041	*3/4" x 01	20/32	\$72.54
5124-042	*3/4" x 02	20/32	\$72.54
5133-334	1" x 01	15/29	\$82.48
5133-335	1" x 02	15/29	\$82.48
5133-257	*1" x 04	10/27	\$111.68

\* available with pentagon drain plug - see next page for example

## 74602Y-3G

-3G PEP-7 x Star Nut



Part No.	Size	Carton PCS/WT	Price
	3/4" x 01	15/29	\$87.12
5192-129	3/4" x 02	15/29	\$87.12
5192-130	1" x 04	10/30	\$129.42

## 74602Y-3Q

-3Q PEP-7 x Star Nut



Part No.	Size	Carton PCS/WT	Price
5182-362	3/4" x 01	15/27	\$87.12
5182-363	3/4" x 02	15/28	\$87.12
5182-231	1" x 04	10/29	\$129.42

## 74602Y-44

-44 PVC x Star Nut



Part No.	Size	Carton PCS/WT	Price
5133-336	3/4" x 01	15/26	\$87.12
5133-337	3/4" x 02	15/26	\$87.12
5133-263	1" x 04	10/28	\$129.42

## 74602Y-55

-55 IP x Star Nut



Part No.	Size	Carton PCS/WT	Price
5140-089	3/4" x 01	15/26	\$87.12
	3/4" x 02	15/26	\$87.12
5133-264	1" x 04	10/30	\$129.42

## 74602YQ

Q CTS x Star Nut



Part No.	Size	Carton PCS/WT	Price
5182-358	*3/4" x 01	20/29	\$74.65
5182-359	*3/4" x 02	20/29	\$74.65
5182-360	1" x 01	15/27	\$87.12
5182-361	1" x 02	15/27	\$87.12
5182-073	*1" x 04	10/23	\$117.98
5182-287	1 1/4" x 04	10/29	\$158.78

\* available with pentagon drain plug - see next page for example

## 74602YT

T CTS x Star Nut

Part No.	Size	Carton PCS/WT	Price
5124-043	*3/4" x 01	20/28	\$74.65
5124-044	*3/4" x 02	20/28	\$74.65
5133-347	1" x 01	15/27	\$87.12
5133-348	1" x 02	15/26	\$87.12
5133-255	*1" x 04	10/23	\$117.98
5133-259	1 1/4" x 04	10/27	\$158.78

\* available with pentagon drain plug - see next page for example

## 74602YG

G CTS x Star Nut

Part No.	Size	Carton PCS/WT	Price
5192-173	*3/4" x 01	20/31	\$74.65
5192-216	*3/4" x 02	20/30	\$74.65
	1" x 01	15/28	\$87.12
5192-217	1" x 02	15/28	\$87.12
5192-306	*1" x 04	10/24	\$117.98
	1 1/4" x 04	10/30	\$158.77

\* available with pentagon drain plug - see next page for example

## 74604Y

FNPT x Star Nut



Part No.	Size	Carton PCS/WT	Price
5124-039	*3/4" x 01	20/25	\$59.57
5124-040	*3/4" x 02	20/24	\$59.57
5133-332	1" x 01	20/29	\$65.78
5133-333	1" x 02	20/29	\$65.78
5133-254	*1" x 04	10/20	\$95.05
5133-258	1 1/4" x 04	10/24	\$99.66

\* available with pentagon drain plug - see next page for example

## 74602Y-22

-22 CTS x Star Nut



Part No.	Size	Carton PCS/WT	Price
5124-045	*3/4" x 01	20/28	\$74.65
5124-046	*3/4" x 02	20/29	\$74.65
5133-345	1" x 01	15/25	\$87.12
5133-346	1" x 02	15/25	\$87.12
5133-256	*1" x 04	10/22	\$117.98
5133-260	1 1/4" x 04	10/30	\$158.78

\* available with pentagon drain plug - see next page for example

## 74602Y-33

-33 PEP-7 x Star Nut



Part No.	Size	Carton PCS/WT	Price
5133-399	3/4" x 01	15/26	\$87.12
5146-356	3/4" x 02	15/26	\$87.12
5133-262	1" x 04	10/28	\$129.42

## 74602Y-34

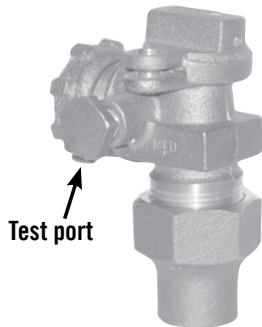
-34 PEP-9 x Star Nut



Part No.	Size	Carton PCS/WT	Price
	3/4" x 01	15/26	\$87.12
	3/4" x 02	15/26	\$87.12
	1" x 04	10/28	\$129.42

# Angle Yoke Valves - Plug Style

For valves with Pentagon Drain option:  
- Contact Factory



Example: 74602YD 3/4" x 01

## 74602YD

Flare x Star Nut with Test Port

Part No.	Size	Carton PCS/WT	Price
5133-349	3/4" x 01	20/34	\$90.92
5133-339	3/4" x 02	20/34	\$90.92
5133-491	1" x 01*	16/40	\$100.86
5140-076	1" x 02*	16/40	\$100.86
5124-187	1" x 04	10/27	\$130.05

\*Assembled water tight with 74753

## 74602YD-22

-22 CTS x Star Nut with Test Port

Part No.	Size	Carton PCS/WT	Price
5133-380	3/4" x 01	20/30	\$93.05
5133-340	3/4" x 02	20/30	\$93.05
5124-189	1" x 04	10/24	\$136.38

## 74604YD

FNPT x Star Nut with Test Port

Part No.	Size	Carton PCS/WT	Price
5133-381	3/4" x 01	20/26	\$77.96
5133-338	3/4" x 02	20/27	\$77.96
5124-186	1" x 04	10/21	\$113.46

For valves with Dielectric Bushing option:  
- Contact Factory



Example: 74602DBY 3/4" x 01

## 74602DBY

Flare x Star Nut with Dielectric Bushing

Part No.	Size	Carton PCS/WT	Price
5146-025	3/4" x 01	15/32	\$117.72
5146-290	3/4" x 02	15/31	\$117.72
	1" x 01	15/39	\$143.38
5146-026	1" x 02	15/39	\$143.38
5146-029	1" x 04	10/34	\$177.41



## 74602DBY-22

-22 CTS x Star Nut w/ Dielectric Bushing

Part No.	Size	Carton PCS/WT	Price
5146-265	3/4" x 01	15/30	\$103.96
	3/4" x 02	15/30	\$103.94
5146-268	1" x 04	10/31	\$148.12



### Plug Valve Size Description

SIZE means:  $\frac{3}{4}$  x 01

End Connection

Meter Size  
01 = 5/8"  
02 = 5/8" x 3/4" or 3/4"  
04 = 1"



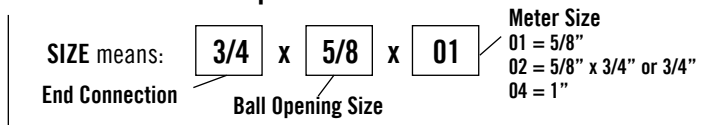
# Angle Yoke Valves - Ball Style Standard Port

**BALL STYLE - 300 PSI - LOCKWING | FOR 5/8", 5/8" x 3/4", 3/4", OR 1" METERS**

A.Y. McDonald angle yoke ball valves include a meter star nut for connection to iron yoke bars and a wide variety of inlet configurations. Valves come standard with 90° "open to close" operating head and are non-directional with lockwing.

- Insert stiffeners are required on all flexible plastic connections.

### Ball Valve Size Description



### 74644BY

FNPT x Star Nut



Part No.	Size	Carton PCS/WT	Price
5146-176	3/4" x 5/8" x 01	20/29	\$83.73
5146-189	3/4" x 5/8" x 02	20/28	\$83.73
5146-028	1" x 5/8" x 01	20/35	\$94.99
5146-027	1" x 5/8" x 02	20/31	\$94.99
5139-275	1" x 3/4" x 04	10/22	\$167.90

### 74642BYQ

Q CTS x Star Nut



Part No.	Size	Carton PCS/WT	Price
5183-106	3/4" x 5/8" x 01	20/35	\$100.56
5182-142	3/4" x 5/8" x 02	20/34	\$100.56
5183-252	1" x 5/8" x 01	20/39	\$127.34
5182-143	1" x 5/8" x 02	20/40	\$127.34
5182-199	1" x 3/4" x 04	10/26	\$207.88

### 74642BY-3G

-3G PEP-7 x Star Nut



Part No.	Size	Carton PCS/WT	Price
	3/4" x 5/8" x 01	20/38	\$105.56
	3/4" x 5/8" x 02	20/38	\$105.56
	1" x 3/4" x 04	10/30	\$217.40

### 74642BY

Flare x Star Nut



Part No.	Size	Carton PCS/WT	Price
5146-173	3/4" x 5/8" x 01	20/35	\$99.01
5146-186	3/4" x 5/8" x 02	20/35	\$99.01
5146-190	1" x 5/8" x 01	20/44	\$126.29
5146-196	1" x 5/8" x 02	20/42	\$126.29
5139-276	1" x 3/4" x 04	10/27	\$182.56

### 74642BYT

T CTS x Star Nut



Part No.	Size	Carton PCS/WT	Price
5146-174	3/4" x 5/8" x 01	20/34	\$100.56
5146-187	3/4" x 5/8" x 02	20/34	\$100.56
5146-191	1" x 5/8" x 01	20/38	\$127.34
5146-197	1" x 5/8" x 02	20/38	\$127.34
5139-278	1" x 3/4" x 04	10/25	\$207.88

### 74642BY-3Q

-3Q PEP-7 x Star Nut



Part No.	Size	Carton PCS/WT	Price
	3/4" x 5/8" x 01	20/38	\$105.56
5182-263	3/4" x 5/8" x 02	20/40	\$105.56
5182-302	1" x 3/4" x 04	10/31	\$217.40

### 74642BY-22

-22 CTS x Star Nut



Part No.	Size	Carton PCS/WT	Price
5146-175	3/4" x 5/8" x 01	20/34	\$100.56
5146-188	3/4" x 5/8" x 02	20/33	\$100.56
5146-192	1" x 5/8" x 01	20/38	\$127.34
5146-198	1" x 5/8" x 02	20/36	\$127.34
5139-277	1" x 3/4" x 04	10/24	\$207.88

### 74642BY-33

-33 PEP-7 x Star Nut



Part No.	Size	Carton PCS/WT	Price
5146-193	3/4" x 5/8" x 01	20/38	\$105.56
5146-199	3/4" x 5/8" x 02	20/38	\$105.56
5146-220	1" x 3/4" x 04	10/30	\$217.40

### 74642BY-44

-44 PVC x Star Nut



Part No.	Size	Carton PCS/WT	Price
5146-194	3/4" x 5/8" x 01	20/38	\$105.56
5146-200	3/4" x 5/8" x 02	20/38	\$105.56
	1" x 3/4" x 04	10/30	\$217.40

### 74642BYG

G CTS x Star Nut



Part No.	Size	Carton PCS/WT	Price
5192-153	3/4" x 5/8" x 01	20/36	\$100.56
5192-150	3/4" x 5/8" x 02	20/35	\$100.56
	1" x 5/8" x 01	20/40	\$127.33
5192-473	1" x 5/8" x 02	20/40	\$127.33
5192-292	1" x 3/4" x 04	10/27	\$207.88

### 74642BY-34

-34 PEP-9 x Star Nut



Part No.	Size	Carton PCS/WT	Price
	3/4" x 5/8" x 01	20/38	\$105.56
	3/4" x 5/8" x 02	20/38	\$105.56
	1" x 3/4" x 04	10/30	\$217.40

### 74642BY-55

-55 IP x Star Nut



Part No.	Size	Carton PCS/WT	Price
5146-195	3/4" x 5/8" x 01	20/37	\$105.56
5146-201	3/4" x 5/8" x 02	20/42	\$105.56
	1" x 3/4" x 04	10/30	\$217.40



# Angle Yoke Valves - Ball Style Standard Port

**BALL STYLE - 300 PSI - LOCKWING | FOR 5/8", 5/8" x 3/4", 3/4", OR 1" METERS**

A.Y. McDonald angle yoke ball valves include a meter star nut for connection to iron yoke bars and a wide variety of inlet configurations. Valves come standard with 90° "open to close" operating head and are non-directional with lockwing.

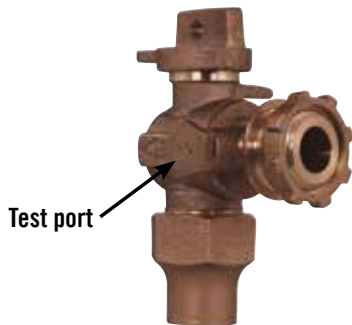
- Insert stiffeners are required on all flexible plastic connections.

## Ball Valve Size Description

SIZE means:	<b>3/4</b>	x	<b>5/8</b>	x	<b>01</b>	Meter Size
End Connection			Ball Opening Size			01 = 5/8" 02 = 5/8" x 3/4" or 3/4" 04 = 1"

### For valves with Pentagon Drain option:

- Contact Factory



Example: 74642BYD 3/4" x 01

### 74642BYD

Flare x Star Nut with Test Port

Part No.	Size	Carton PCS/WT	Price
5139-491	3/4" x 5/8" x 01	20/40	\$121.61
5139-479	3/4" x 5/8" x 02	20/40	\$121.61

### 74642BYD-22

-22 CTS x Star Nut with Test Port

Part No.	Size	Carton PCS/WT	Price
	3/4" x 5/8" x 01	20/38	\$123.11
5146-225	3/4" x 5/8" x 02	20/38	\$123.11

### 74642BYDT

T CTS x Star Nut with Test Port

Part No.	Size	Carton PCS/WT	Price
	3/4" x 5/8" x 01	20/39	\$123.11
5146-228	3/4" x 5/8" x 02	20/39	\$123.11

### 74642BYDQ

Q CTS x Star Nut with Test Port

Part No.	Size	Carton PCS/WT	Price
	3/4" x 5/8" x 01	20/38	\$123.11
5139-480	3/4" x 5/8" x 02	20/38	\$123.11

### For valves with Dielectric Bushing option:

- Contact Factory



Example: 74642BDBY 3/4" x 01

### 74642BDBY

Flare x Star Nut with Dielectric Bushing

Part No.	Size	Carton PCS/WT	Price
5146-004	3/4" x 5/8" x 01	15/37	\$160.90
	3/4" x 5/8" x 02	15/37	\$160.89
	1" x 5/8" x 01	15/41	\$197.87
5146-005	1" x 5/8" x 02	15/41	\$197.87





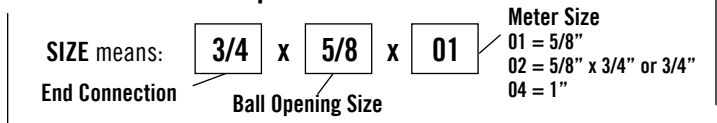
# Angle Yoke Valves - Ball Style Full Port

**BALL STYLE - 300 PSI - LOCKWING | FOR 5/8", 5/8" x 3/4", 3/4", OR 1" METERS**

A.Y. McDonald angle yoke ball valves include a meter star nut for connection to iron yoke bars and a wide variety of inlet / outlet configurations. Valves come standard with 90° "open to close" operating head and are non-directional with locking.

- Insert stiffeners are required on all flexible plastic connections.

### Ball Valve Size Description



### 74604BY

FNPT x Star Nut



Part No.	Size	Carton PCS/WT	Price
5149-342	3/4" x 3/4" x 01	10/18	\$156.09
5149-060	3/4" x 3/4" x 02	10/17	\$156.09
5139-355	1" x 3/4" x 01	10/20	\$153.27
5139-329	1" x 3/4" x 02	10/19	\$153.27
5139-072	1" x 1" x 04	10/28	\$213.18

### 74602BYQ

Q CTS x Star Nut



Part No.	Size	Carton PCS/WT	Price
5182-039	3/4" x 3/4" x 01	10/20	\$171.40
5182-040	3/4" x 3/4" x 02	10/20	\$171.40
5183-487	1" x 3/4" x 01	10/24	\$189.62
5182-138	1" x 3/4" x 02	10/24	\$189.62
5182-200	1" x 1" x 04	10/32	\$233.83

### 74602BY-3G

-3G PEP-7 x Star Nut



Part No.	Size	Carton PCS/WT	Price
	3/4" x 3/4" x 01	10/24	\$177.27
5192-131	3/4" x 3/4" x 02	10/24	\$177.27
	1" x 3/4" x 01	10/28	\$178.88
5192-437	1" x 3/4" x 02	10/28	\$178.88
5192-132	1" x 1" x 04	10/38	\$248.98

### 74602BY

Flare x Star Nut



Part No.	Size	Carton PCS/WT	Price
5149-306	3/4" x 3/4" x 01	10/21	\$166.66
5149-305	3/4" x 3/4" x 02	10/21	\$166.66
5149-304	1" x 3/4" x 01	10/26	\$174.18
5149-291	1" x 3/4" x 02	10/24	\$174.18
5139-071	1" x 1" x 04	10/35	\$244.98

### 74602BYT

T CTS x Star Nut



Part No.	Size	Carton PCS/WT	Price
5149-062	3/4" x 3/4" x 01	10/20	\$171.40
5149-294	3/4" x 3/4" x 02	10/19	\$171.40
	1" x 3/4" x 01	15/35	\$189.62
5149-089	1" x 3/4" x 02	15/35	\$189.62
5139-388	1" x 1" x 04	10/31	\$233.83

### 74602BY-3Q

-3Q PEP-7 x Star Nut



Part No.	Size	Carton PCS/WT	Price
	3/4" x 3/4" x 01	10/20	\$177.27
	3/4" x 3/4" x 02	10/20	\$177.27
	1" x 3/4" x 01	10/20	\$178.88
	1" x 3/4" x 02	10/20	\$178.88
5149-401	1" x 1" x 04	10/37	\$248.98

### 74602BY-22

-22 CTS x Star Nut



Part No.	Size	Carton PCS/WT	Price
5149-366	3/4" x 3/4" x 01	10/19	\$171.40
5149-053	3/4" x 3/4" x 02	10/20	\$171.40
5141-383	1" x 3/4" x 01	10/21	\$189.62
5149-347	1" x 3/4" x 02	10/22	\$189.62
5139-083	1" x 1" x 04	10/30	\$233.83

### 74602BY-33

-33 PEP-7 x Star Nut



Part No.	Size	Carton PCS/WT	Price
	3/4" x 3/4" x 01	10/23	\$177.27
5149-315	3/4" x 3/4" x 02	10/23	\$177.27
	1" x 3/4" x 01	10/28	\$178.88
5149-312	1" x 3/4" x 02	10/28	\$178.88
5149-448	1" x 1" x 04	10/38	\$248.98

### 74602BY-44

-44 PVC x Star Nut



Part No.	Size	Carton PCS/WT	Price
	3/4" x 3/4" x 01	10/23	\$177.27
5149-314	3/4" x 3/4" x 02	10/23	\$177.27
	1" x 3/4" x 01	10/20	\$178.88
	1" x 3/4" x 02	10/20	\$178.88
5149-313	1" x 1" x 04	10/37	\$248.98

### 74602BYG

G CTS x Star Nut



Part No.	Size	Carton PCS/WT	Price
5191-220	3/4" x 3/4" x 01	10/21	\$171.40
5192-185	3/4" x 3/4" x 02	10/21	\$171.40
	1" x 3/4" x 01	10/24	\$189.62
5192-272	1" x 3/4" x 02	10/24	\$189.62
5192-184	1" x 1" x 04	10/33	\$233.83

### 74602BY-34

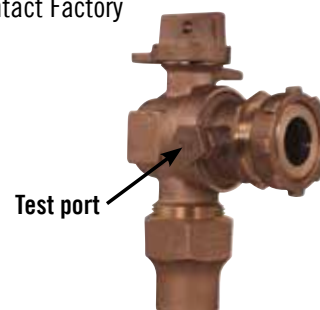
-34 PEP-9 x Star Nut



Part No.	Size	Carton PCS/WT	Price
	3/4" x 3/4" x 01	10/23	\$177.27
	3/4" x 3/4" x 02	10/23	\$177.27
	1" x 3/4" x 01	10/28	\$178.88
	1" x 3/4" x 02	10/28	\$178.88
	1" x 1" x 04	10/38	\$248.98

**For valves with Pentagon Drain option:**

- Contact Factory



**Example:** 74602BYD 3/4" x 3/4" x 02

## Straight Yoke Valves - Ball Style

**BALL STYLE - 300 PSI - LOCKWING | FOR 5/8", 5/8" x 3/4", 3/4", OR 1" METERS**

A.Y. McDonald straight yoke ball valves include a meter star nut for connection to iron yoke bars and a wide variety of inlet / outlet configurations. Valves come standard with 90° "open to close" operating head and are non-directional with lockwing.

- Insert stiffeners are required on all flexible plastic connections.
- For pentagon drain option, contact factory.

### Ball Valve Size Description

SIZE means:  
End Connection

**3/4**

x

**5/8**

x

**01**

Ball Opening Size

Meter Size

01 = 5/8"

02 = 5/8" x 3/4" or 3/4"

04 = 1"

### 76101WY

FNPT x Star Nut



Part No.	Size	Carton PCS/WT	Price
5146-164	3/4" x 5/8" x 01	20/25	\$79.89
5146-177	3/4" x 5/8" x 02	20/27	\$79.89
	3/4" x 3/4" x 01	10/16	\$135.13
5141-381	3/4" x 3/4" x 02	10/16	\$135.13
	1" x 3/4" x 01	10/17	\$141.62
5139-070	1" x 3/4" x 02	10/17	\$141.62
5139-279	1" x 3/4" x 04	10/21	\$140.90
5149-477	1" x 1" x 04	10/27	\$200.73

### 76102WY

Flare x Star Nut



Part No.	Size	Carton PCS/WT	Price
5146-165	3/4" x 5/8" x 01	20/35	\$90.89
5146-178	3/4" x 5/8" x 02	20/32	\$90.89
	1" x 3/4" x 01	10/24	\$158.42
5139-300	1" x 3/4" x 02	10/24	\$158.44
5139-280	1" x 3/4" x 04	10/28	\$162.81

### 76102WY-22

-22 CTS x Star Nut



Part No.	Size	Carton PCS/WT	Price
5146-167	3/4" x 5/8" x 01	20/33	\$96.89
5146-180	3/4" x 5/8" x 02	20/31	\$96.89
5146-363	3/4" x 3/4" x 01	20/40	\$150.75
5146-393	3/4" x 3/4" x 02	20/40	\$150.75
	1" x 3/4" x 01	10/21	\$162.97
5149-068	1" x 3/4" x 02	10/21	\$162.98
5139-281	1" x 3/4" x 04	10/24	\$172.04
5146-314	1" x 1" x 04	10/33	\$230.54
5139-099	1 1/4" x 1" x 04	10/35	\$252.50

### 76102WYG

G CTS x Star Nut



Part No.	Size	Carton PCS/WT	Price
5192-151	3/4" x 5/8" x 01	20/33	\$96.89
5192-152	3/4" x 5/8" x 02	20/34	\$96.89
	3/4" x 3/4" x 01	15/32	\$150.75
5192-241	3/4" x 3/4" x 02	15/32	\$150.75
	1" x 3/4" x 01	10/23	\$162.97
5192-440	1" x 3/4" x 02	10/23	\$162.98
5192-163	1" x 3/4" x 04	10/26	\$172.04
5192-240	1" x 1" x 04	10/33	\$230.54
	1 1/4" x 1" x 04	10/33	\$252.50

### 76102WYQ

Q CTS x Star Nut



Part No.	Size	Carton PCS/WT	Price
5182-441	3/4" x 5/8" x 01	20/32	\$96.89
5182-203	3/4" x 5/8" x 02	20/32	\$96.89
	3/4" x 3/4" x 01	15/31	\$150.75
5182-204	3/4" x 3/4" x 02	15/31	\$150.75
	1" x 3/4" x 01	10/22	\$162.97
5149-461	1" x 3/4" x 02	10/22	\$162.98
5182-201	1" x 3/4" x 04	10/25	\$172.04
5182-202	1" x 1" x 04	10/42	\$230.54
5149-093	1 1/4" x 1" x 04	10/30	\$252.50

### 76102WYT

T CTS x Star Nut



Part No.	Size	Carton PCS/WT	Price
5146-166	3/4" x 5/8" x 01	20/33	\$96.89
5146-179	3/4" x 5/8" x 02	20/32	\$96.89
	3/4" x 3/4" x 01	20/40	\$150.75
	3/4" x 3/4" x 02	20/40	\$150.75
	1" x 3/4" x 01	10/23	\$162.97
5146-014	1" x 3/4" x 02	10/23	\$162.98
5139-282	1" x 3/4" x 04	10/26	\$172.04
5149-092	1 1/4" x 1" x 04	10/30	\$252.50

### 76102WY-33

-33 PEP-7 x Star Nut



Part No.	Size	Carton PCS/WT	Price
	3/4" x 3/4" x 01	10/22	\$140.03
5146-221	3/4" x 3/4" x 02	10/22	\$140.03
5149-094	1" x 1" x 04	10/30	\$157.12

### 76102WY-34

-34 PEP-9 x Star Nut



Part No.	Size	Carton PCS/WT	Price
	3/4" x 3/4" x 01	10/22	\$140.03
	3/4" x 3/4" x 02	10/22	\$140.03
	1" x 1" x 04	10/30	\$157.12

### 76102WY-3Q

-3Q PEP-7 x Star Nut



Part No.	Size	Carton PCS/WT	Price
	3/4" x 3/4" x 01	10/22	\$140.03
	3/4" x 3/4" x 02	10/22	\$140.03
5149-095	1" x 1" x 04	10/30	\$157.12

### 76102WY-3G

-3G PEP-7 x Star Nut



Part No.	Size	Carton PCS/WT	Price
	3/4" x 3/4" x 01	10/22	\$140.03
	3/4" x 3/4" x 02	10/22	\$140.03
	1" x 1" x 04	10/47	\$157.12

### 76102WY-44

-44 PVC x Star Nut



Part No.	Size	Carton PCS/WT	Price
	3/4" x 3/4" x 01	10/22	\$140.03
	3/4" x 3/4" x 02	10/22	\$140.03
5149-096	1" x 1" x 04	10/30	\$157.12

### 76102WY-55

-55 IP x Star Nut



Part No.	Size	Carton PCS/WT	Price
	3/4" x 3/4" x 01	10/22	\$140.03
5146-366	3/4" x 3/4" x 02	10/22	\$140.03
5149-097	1" x 1" x 04	10/30	\$157.12

### For valves with Pentagon

Drain option:

- Contact Factory



Test port

Example: 76101YV 3/4" x 3/4" x 01



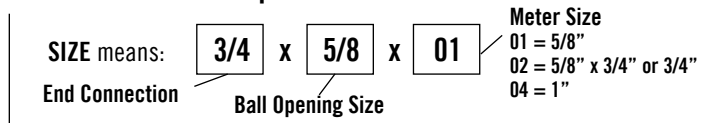
# Straight Yoke Valves - Ball Style

**BALL STYLE - 300 PSI | FOR 5/8", 5/8" x 3/4", 3/4", OR 1" METERS - LESS LOCKWING**

A.Y. McDonald straight yoke ball valves include a meter star nut for connection to iron yoke bars and a wide variety of inlet / outlet configurations. Valves come standard with 90° "open to close" operating head and are non-directional.

- Insert stiffeners are required on all flexible plastic connections.
- For pentagon drain option, contact factory.

### Ball Valve Size Description



## 76101Y

FNPT x Star Nut without Lockwing



Part No.	Size	Carton PCS/WT	Price
5146-169	3/4" x 5/8" x 01	20/26	\$79.61
5146-182	3/4" x 5/8" x 02	20/25	\$74.84
	1" x 3/4" x 01	10/18	\$136.88
5139-365	1" x 3/4" x 02	10/18	\$136.89
5146-224	1" x 3/4" x 04	10/20	\$135.72
	1" x 1" x 04	10/20	\$196.06

## 76102Y

Flare x Star Nut without Lockwing



Part No.	Size	Carton PCS/WT	Price
5146-170	3/4" x 5/8" x 01	20/38	\$96.91
5146-183	3/4" x 5/8" x 02	20/37	\$96.91
	3/4" x 3/4" x 01	20/37	\$124.64
	3/4" x 3/4" x 02	20/37	\$124.64
	1" x 3/4" x 04	20/37	\$158.16
	1" x 1" x 04	20/37	\$203.43

## 76102Y-22

-22 CTS x Star Nut without Lockwing



Part No.	Size	Carton PCS/WT	Price
5146-172	3/4" x 5/8" x 01	20/34	\$92.23
5146-185	3/4" x 5/8" x 02	20/34	\$92.23
	3/4" x 3/4" x 01	20/34	\$124.64
5146-341	3/4" x 3/4" x 02	20/34	\$124.64
	1" x 3/4" x 04	20/34	\$158.16
5149-473	1" x 1" x 04	10/30	\$193.59

## 76102YG

G CTS x Star Nut without Lockwing



Part No.	Size	Carton PCS/WT	Price
	3/4" x 5/8" x 01	20/34	\$92.23
	3/4" x 5/8" x 02	20/34	\$92.23
	3/4" x 3/4" x 01	20/34	\$124.64
	3/4" x 3/4" x 02	20/34	\$124.64
	1" x 3/4" x 04	20/34	\$158.16
	1" x 1" x 04	10/30	\$193.59

## HANDLES

### 6120

Stainless Steel Handle



Part No.	Size	Length	Carton PCS/WT	Price
4129-200	5/8"	3.25"	25/2	\$8.87
4129-148	3/4" & 1"	4.25"	25/3	\$9.82

### 6120B

Brass Handle



Part No.	Size	Length	Carton PCS/WT	Price
4129-025	5/8"	3.38"	25/6	\$8.87
4129-026	3/4" & 1"	4.38"	25/7	\$9.82

## 76102YQ

Q CTS x Star Nut without Lockwing



Part No.	Size	Carton PCS/WT	Price
	3/4" x 5/8" x 01	20/34	\$92.23
	3/4" x 5/8" x 02	20/34	\$92.23
	3/4" x 3/4" x 01	20/34	\$124.64
	3/4" x 3/4" x 02	20/34	\$124.64
	1" x 3/4" x 04	20/34	\$158.16
	1" x 1" x 04	10/30	\$193.59

## 76102YT

T CTS x Star Nut without Lockwing



Part No.	Size	Carton PCS/WT	Price
5146-171	3/4" x 5/8" x 01	20/34	\$92.23
5146-184	3/4" x 5/8" x 02	20/34	\$92.23
	3/4" x 3/4" x 01	20/34	\$124.64
	3/4" x 3/4" x 02	20/34	\$124.64
	1" x 3/4" x 04	20/34	\$158.16
	1" x 1" x 04	20/40	\$193.59

## 76102Y-33

-33 PEP-7 x Star Nut without Lockwing



Part No.	Size	Carton PCS/WT	Price
	3/4" x 3/4" x 01	15/44	\$135.36
	3/4" x 3/4" x 02	15/44	\$135.36
	1" x 1" x 04	15/44	\$157.12

## 76102Y-34

-34 PEP-9 x Star Nut without Lockwing



Part No.	Size	Carton PCS/WT	Price
	3/4" x 3/4" x 01	15/44	\$135.36
	3/4" x 3/4" x 02	15/44	\$135.36
	1" x 1" x 04	15/44	\$157.12

## 76102Y-3G

-3G PEP-7 x Star Nut without Lockwing



Part No.	Size	Carton PCS/WT	Price
	3/4" x 3/4" x 01	15/44	\$135.36
	3/4" x 3/4" x 02	15/44	\$135.36
	1" x 1" x 04	15/44	\$157.12

## 76102Y-3Q

-3Q PEP-7 x Star Nut without Lockwing



Part No.	Size	Carton PCS/WT	Price
	3/4" x 3/4" x 01	15/44	\$135.36
	3/4" x 3/4" x 02	15/44	\$135.36
	1" x 1" x 04	15/44	\$157.12

## 76102Y-44

-44 PVC x Star Nut without Lockwing



Part No.	Size	Carton PCS/WT	Price
	3/4" x 3/4" x 01	15/44	\$135.36
5149-035	3/4" x 3/4" x 02	15/44	\$135.36
	1" x 1" x 04	15/44	\$157.12

## 76102Y-55

-55 IP x Star Nut without Lockwing



Part No.	Size	Carton PCS/WT	Price
	3/4" x 3/4" x 01	15/44	\$135.36
	3/4" x 3/4" x 02	15/44	\$135.36
	1" x 1" x 04	15/44	\$157.12

## 6120BSRWPP

Brass T - Handle, Purple



Part No.	Size	Carton PCS/WT	Price
4125-020	1 1/2" x 2"	25/7	\$34.16

## 6120BT

Brass T - Handle



Part No.	Size	Carton PCS/WT	Price
4142-444	3/4" & 1"	25/9	\$15.77



## Yoke Couplings - Quarter Bend

### MALE YOKE

### Size Description

SIZE means:

**3/4**

x

**01**

End Connection

Meter Size

01 = 5/8"

02 = 5/8" x 3/4" or 3/4"

04 = 1"

A.Y. McDonald quarter bend yoke couplings include a meter star nut for connection to iron yoke bars and a wide variety of inlet / outlet configurations.  
 - Insert stiffeners are required on all flexible plastic connections.

### 74779FY

FNPT x Star Nut



Part No.	Size	Carton PCS/WT	Price
5139-292	3/4" x 01	20/15	\$21.00
5139-293	3/4" x 02	20/14	\$21.00
5139-358	1" x 01	20/18	\$27.17
5139-359	1" x 02	20/19	\$27.17
5139-290	1" x 04	10/14	\$37.07
5132-244	1 1/4" x 04	20/28	\$46.39

### 74779Y-33

-33 PEP-7 x Star Nut



Part No.	Size	Carton PCS/WT	Price
5131-264	3/4" x 01	25/30	\$49.95
5131-265	3/4" x 02	25/30	\$49.95
5123-119	1" x 01	20/39	\$83.04
5122-026	1" x 02	20/40	\$83.04
5132-246	1" x 04	20/38	\$78.77

### 74779YT

T CTS x Star Nut



Part No.	Size	Carton PCS/WT	Price
5139-205	3/4" x 01	20/19	\$35.60
5139-208	3/4" x 02	20/19	\$35.60
5131-260	1" x 01	25/65	\$49.95
5131-261	1" x 02	25/32	\$49.95
5139-289	1" x 04	10/17	\$63.08
5123-122	1 1/4" x 01	20/39	\$90.52
5123-117	1 1/4" x 02	20/39	\$90.52
5122-044	1 1/4" x 04	20/42	\$97.18

### 74779MY

MNPT x Star Nut



Part No.	Size	Carton PCS/WT	Price
5139-257	3/4" x 01	20/13	\$37.89
5139-256	3/4" x 02	20/13	\$37.89
5139-432	1" x 01	20/22	\$49.07
5139-433	1" x 02	20/14	\$49.07

### 74779Y-34

-34 PEP-9 x Star Nut



Part No.	Size	Carton PCS/WT	Price
	3/4" x 01	25/30	\$49.95
	3/4" x 02	25/30	\$49.95
	1" x 01	20/39	\$83.04
	1" x 02	20/40	\$83.04
	1" x 04	20/38	\$78.77

### 74779Y-3G

-3G PEP-7 x Star Nut



Part No.	Size	Carton PCS/WT	Price
	3/4" x 01	25/30	\$49.95
5192-462	3/4" x 02	25/30	\$49.95
	1" x 01	16/35	\$83.04
5192-134	1" x 02	16/35	\$83.04
5192-133	1" x 04	20/43	\$78.77

### 74779Y

Flare x Star Nut



Part No.	Size	Carton PCS/WT	Price
5139-207	3/4" x 01	20/21	\$30.77
5139-210	3/4" x 02	20/20	\$30.77
5139-356	1" x 01	20/28	\$40.72
5139-357	1" x 02	20/27	\$40.72
5139-287	1" x 04	10/20	\$53.79

### 74779Y-3Q

-3Q PEP-7 x Star Nut



Part No.	Size	Carton PCS/WT	Price
	3/4" x 01	25/30	\$49.95
	3/4" x 02	25/30	\$49.95
5182-448	1" x 01	20/39	\$83.04
5182-233	1" x 02	20/39	\$83.04
5182-230	1" x 04	20/40	\$78.77

### 74779DBY

Flare x Star Nut



Part No.	Size	Carton PCS/WT	Price
5139-258	3/4" x 01	20/33	\$79.21
5139-259	3/4" x 02	20/33	\$79.21
5139-265	1" x 01	20/37	\$94.74

### 74779YG

G CTS x Star Nut



Part No.	Size	Carton PCS/WT	Price
5192-282	3/4" x 01	20/20	\$35.60
5192-290	3/4" x 02	20/20	\$35.60
	1" x 01	25/34	\$49.95
5192-273	1" x 02	25/34	\$49.95
5192-291	1" x 04	10/19	\$63.08
	1 1/4" x 01	10/20	\$90.52
	1 1/4" x 02	10/20	\$90.52

### 74779Y-44

-44 PVC x Star Nut



Part No.	Size	Carton PCS/WT	Price
5131-266	3/4" x 01	25/67	\$49.95
5131-267	3/4" x 02	25/28	\$49.95
5123-120	1" x 01	20/39	\$83.04
5122-027	1" x 02	20/39	\$83.04
5132-247	1" x 04	20/39	\$78.77

### 74779Y-22

-22 CTS x Star Nut

Part No.	Size	Carton PCS/WT	Price
5139-206	3/4" x 01	20/18	\$35.60
5139-209	3/4" x 02	20/18	\$35.60
5131-262	1" x 01	25/29	\$49.95
5131-263	1" x 02	25/28	\$49.95
5139-288	1" x 04	10/17	\$63.08
5123-123	1 1/4" x 01	20/39	\$90.52
5123-118	1 1/4" x 02	20/39	\$90.52
5132-245	1 1/4" x 04	20/41	\$97.18

### 74779YQ

Q CTS x Star Nut



Part No.	Size	Carton PCS/WT	Price
5182-023	3/4" x 01	20/19	\$35.60
5182-024	3/4" x 02	20/19	\$35.60
5182-244	1" x 01	25/68	\$49.95
5181-221	1" x 02	25/31	\$49.95
5182-421	1" x 04	10/18	\$63.08
5182-449	1 1/4" x 01	20/39	\$90.52
5182-447	1 1/4" x 02	20/39	\$90.52

### 74779Y-55

-55 IP x Star Nut



Part No.	Size	Carton PCS/WT	Price
5149-466	3/4" x 01	25/30	\$49.95
	3/4" x 02	25/30	\$49.95
5123-121	1" x 01	20/39	\$83.04
5123-116	1" x 02	20/39	\$83.04
5132-248	1" x 04	20/42	\$78.77





# Yoke Couplings - Quarter Bend - With Test Port

## MALE YOKE

A.Y. McDonald quarter bend yoke couplings include a meter star nut for connection to iron yoke bar and a wide variety of inlet / outlet configurations.

Insert stiffeners are required on all flexible plastic connections



### 74779YW

Flare x Yoke

Part No.	Size	Carton PCS/WT	Price
5139-448	1" x 01	20/31	\$63.75
5139-449	1" x 02	20/31	\$63.75
5139-460	1" x 04	10/20	\$76.83
5139-466	3/4" x 01	20/22	\$53.80
5139-467	3/4" x 02	20/22	\$53.80

### 74779YWQ

Q CTS x Star Nut with Test Port

Part No.	Size	Carton PCS/WT	Price
5182-469	3/4" x 01	20/22	\$58.63
5182-470	3/4" x 02	20/21	\$58.63
5182-466	1" x 01	25/36	\$73.01
5182-467	1" x 02	25/32	\$73.01
5182-468	1" x 04	10/19	\$86.14

### 74779YWT

T CTS x Star Nut with Test Port

Part No.	Size	Carton PCS/WT	Price
5139-472	3/4" x 01	20/22	\$58.63
5139-473	3/4" x 02	20/21	\$58.63
5139-454	1" x 01	25/34	\$73.01
5139-455	1" x 02	25/36	\$73.01
5139-463	1" x 04	10/19	\$86.14

### 74779FYW

FNPT x Star Nut with Test Port

Part No.	Size	Carton PCS/WT	Price
5139-468	3/4" x 01	20/14	\$44.04
5139-469	3/4" x 02	20/16	\$44.04
5139-450	1" x 01	20/16	\$50.23
5139-451	1" x 02	20/45	\$50.23
5139-461	1" x 04	10/13	\$60.10

### 74779MYW

MNPT x Star Nut with Test Port

Part No.	Size	Carton PCS/WT	Price
5139-470	3/4" x 01	20/14	\$60.85
5139-471	3/4" x 02	20/16	\$60.85
5139-452	1" x 01	20/16	\$69.36
5139-453	1" x 02	16/36	\$69.36
5139-462	1" x 04	10/13	\$83.19

## Size Description

SIZE means: **3/4** x **01**  
End Connection

Meter Size  
01 = 5/8"  
02 = 5/8" x 3/4" or 3/4"  
04 = 1"

### 74779YW-22

-22 CTS x Star Nut with Test Port

Part No.	Size	Carton PCS/WT	Price
5139-474	3/4" x 01	20/21	\$58.63
5139-475	3/4" x 02	20/20	\$58.63
5139-456	1" x 01	25/31	\$73.01
5139-457	1" x 02	25/30	\$73.01
5139-464	1" x 04	10/18	\$86.14

### 74779YWG

G CTS x Star Nut with Test Port

Part No.	Size	Carton PCS/WT	Price
5139-476	3/4" x 01	20/25	\$58.63
5139-477	3/4" x 02	20/23	\$58.63
5139-458	1" x 01	25/37	\$73.01
5139-459	1" x 02	25/37	\$73.01
5139-465	1" x 04	10/21	\$86.14

# Yoke Couplings - Straight

## STRAIGHT MALE YOKE

A.Y. McDonald straight yoke couplings include a meter star nut for connection to iron yoke bars and a wide variety of inlet / outlet configurations. - Insert stiffeners are required on all flexible plastic connections.



### 74753MY

MNPT x Star Nut

Part No.	Size	Carton PCS/WT	Price
5139-211	3/4" x 01	20/12	\$20.33
5139-214	3/4" x 02	20/11	\$20.33
5139-303	1" x 04	10/9	\$53.97



### 74753Y

Flare x Star Nut

Part No.	Size	Carton PCS/WT	Price
5139-219	3/4" x 01	20/21	\$29.69
5139-220	3/4" x 02	20/21	\$29.69
5139-283	1" x 04	10/16	\$47.00



### 74753Y-22

-22 CTS x Star Nut

Part No.	Size	Carton PCS/WT	Price
5139-212	3/4" x 01	20/18	\$34.28
5139-215	3/4" x 02	20/18	\$34.28
5139-284	1" x 04	10/14	\$56.08

### 74753YG

G CTS x Star Nut

Part No.	Size	Carton PCS/WT	Price
5192-370	3/4" x 01	20/21	\$34.28
	3/4" x 02	20/21	\$34.28
5192-157	1" x 04	10/15	\$56.08



### 74753YQ

Q CTS x Star Nut

Part No.	Size	Carton PCS/WT	Price
5182-018	3/4" x 01	20/19	\$34.28
5182-019	3/4" x 02	20/19	\$34.28
5182-478	1" x 04	10/14	\$56.08



### 74753YT

T CTS x Star Nut

Part No.	Size	Carton PCS/WT	Price
5139-213	3/4" x 01	20/18	\$34.28
5139-216	3/4" x 02	20/18	\$34.28
5139-285	1" x 04	10/15	\$56.08



### 74754Y

FNPT x Star Nut

Part No.	Size	Carton PCS/WT	Price
5139-217	3/4" x 01	20/12	\$18.28
5139-218	3/4" x 02	20/11	\$18.28
5139-286	1" x 04	10/11	\$30.28



## Size Description

SIZE means: **3/4** x **01**  
End Connection

Meter Size  
01 = 5/8"  
02 = 5/8" x 3/4" or 3/4"  
04 = 1"



# Female Yoke Retro Fit Quarter Bend Adapters

A.Y. McDonald female yoke quarter bend adapters attach to a male star nut yoke thread and offer a wide variety of inlet / outlet configurations. 714-179 connect to 5/8", 5/8" x 3/4" or 3/4" male star nut yoke threads. 714-479 connect to 1" male star nut yoke threads.

## 5/8", 5/8" x 3/4" or 3/4"

### 714-179F

FNPT x Female Yoke Thread

Part No.	Size	Carton PCS/WT	Price
5139-399	3/4"	40/21	\$35.13

### 714-179

Flare x Female Yoke Thread

Part No.	Size	Carton PCS/WT	Price
5139-398	3/4"	40/35	\$33.41

### 714-179-22

-22 CTS x Female Yoke Thread

Part No.	Size	Carton PCS/WT	Price
5139-401	3/4"	40/28	\$37.50

### 714-179T

T CTS x Female Yoke Thread

Part No.	Size	Carton PCS/WT	Price
5139-400	3/4"	40/29	\$37.50

## 1"

### 714-479F

FNPT x Female Yoke Thread

Part No.	Size	Carton PCS/WT	Price
5139-411	1"	25/26	\$61.45

### 714-479

Flare x Female Yoke Thread

Part No.	Size	Carton PCS/WT	Price
5139-407	1"	25/37	\$81.97

### 714-479-22

-22 CTS x Female Yoke Thread

Part No.	Size	Carton PCS/WT	Price
5139-410	1"	25/32	\$88.29

### 714-479G

G CTS x Female Yoke Thread

Part No.	Size	Carton PCS/WT	Price
5139-408	1"	25/34	\$88.29

### 714-479Q

Q CTS x Female Yoke Thread

Part No.	Size	Carton PCS/WT	Price
5139-408	1"	25/35	\$88.29

### 714-479T

T CTS x Female Yoke Thread

Part No.	Size	Carton PCS/WT	Price
5139-409	1"	25/34	\$88.29

# Female Yoke Retro Fit Straight Adapters

A.Y. McDonald female yoke straight adapters attach to a male star nut yoke thread and offer a wide variety of inlet / outlet configurations. 714-154 connect to 5/8", 5/8" x 3/4" or 3/4" male star nut yoke threads. 714-454 connect to 1" male star nut yoke threads.

## 5/8", 5/8" x 3/4" or 3/4"

### 714-154F

FNPT x Female Yoke Thread

Part No.	Size	Carton PCS/WT	Price
5139-394	3/4"	40/13	\$18.77

### 714-154Q

Q CTS x Female Yoke Thread

Part No.	Size	Carton PCS/WT	Price
5139-396	3/4"	40/22	\$31.64

### 714-154

Flare x Female Yoke Thread

Part No.	Size	Carton PCS/WT	Price
5139-393	3/4"	40/25	\$28.18

### 714-154T

T CTS x Female Yoke Thread

Part No.	Size	Carton PCS/WT	Price
5139-395	3/4"	40/37	\$31.64

### 714-154-22

-22 CTS x Female Yoke Thread

Part No.	Size	Carton PCS/WT	Price
5139-397	3/4"	40/20	\$31.64

### 714-154G

G CTS x Female Yoke Thread

Part No.	Size	Carton PCS/WT	Price
5146-381	3/4"	40/26	\$31.64

## 1"

### 714-454F

FNPT x Female Yoke Thread

Part No.	Size	Carton PCS/WT	Price
5139-406	1"	25/21	\$61.67

### 714-454

Flare x Female Yoke Thread

Part No.	Size	Carton PCS/WT	Price
5139-402	1"	25/33	\$73.64

### 714-454-22

-22 CTS x Female Yoke Thread

Part No.	Size	Carton PCS/WT	Price
5139-403	1"	20/37	\$79.21

### 714-454G

G CTS x Female Yoke Thread

Part No.	Size	Carton PCS/WT	Price
5146-387	1"	20/37	\$79.21

### 714-454Q

Q CTS x Female Yoke Thread

Part No.	Size	Carton PCS/WT	Price
5139-404	1"	20/37	\$79.21

### 714-454T

T CTS x Female Yoke Thread

Part No.	Size	Carton PCS/WT	Price
5139-405	1"	20/37	\$79.21





# Angle Yoke Style Single Check Valves

A.Y. McDonald Angle Single Check Yoke Valves have a meter star nut for iron yoke inlets and a wide variety of outlet configurations. Our top cap and unique perpendicular check module design assures convenient access to check for inspection, maintenance, or replacement without removing the valve from the service line. It also allows for a lower profile than traditional top entry check. Backflow of water is deterred if thermal expansion occurs and will keep water from back flowing into a meter pit or on to a basement floor if meter is removed for servicing.

## FEATURES

- Check assembly can be removed easily.
- Check assembly remains together when removed from body (no loose parts).
- Insert stiffeners are required on all flexible plastic connections.

Size	Description
23	= 5/8" meter x 3/4" end connection
24	= 5/8" meter x 1" end connection
33	= 5/8" x 3/4" or 3/4" meter x 3/4" end connection
34	= 5/8" x 3/4" or 3/4" meter x 1" end connection
44	= 1" meter x 1" end connection



### 702-3YE

Star Nut x FNPT

Part No.	Size	Carton PCS/WT	Price
5132-431	23	10/14	\$70.02
5132-361	33	10/14	\$70.02



### 702-3Y2

Star Nut x -22 CTS Compression

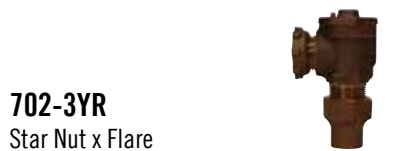
Part No.	Size	Carton PCS/WT	Price
5132-432	23	10/17	\$88.20
5132-362	33	10/15	\$88.20



### 702-3YT

Star Nut x T CTS Compression

Part No.	Size	Carton PCS/WT	Price
5132-433	23	10/17	\$88.20
5132-363	33	10/17	\$88.20



### 702-3YR

Star Nut x Flare

Part No.	Size	Carton PCS/WT	Price
5132-434	23	10/17	\$85.69
5132-364	33	10/18	\$85.69



### 702-3YQ

Star Nut x Q CTS Compression

Part No.	Size	Carton PCS/WT	Price
5182-373	23	10/16	\$88.20
5182-372	33	10/17	\$88.20



### 702-4YE

Star Nut x FNPT - 1" Port

Part No.	Size	Carton PCS/WT	Price
5132-312	44	10/24	\$83.63

### 702-3YU

Star Nut x G CTS Compression

Part No.	Size	Carton PCS/WT	Price
5192-258	23	10/17	\$88.20
5192-390	33	10/16	\$88.20

## OPTIONS

- Add "W" in place of "-" for pentagon test plug in cap i.e. 702-3YE 33 = 702W3YE 33, Add \$22.40



## Inline Yoke Style Dual Check Valves

A.Y. McDonald Inline Dual Check Valves protect the public water supply by preventing the reverse flow of water from the building back into the water main. The Series 711 dual check valve is available with a wide variety of end connections to connect directly to water meters or other types of piping.

- Insert stiffeners are required on all flexible plastic connections.

Size	Description
23	= 5/8" meter x 3/4" end connection
24	= 5/8" meter x 1" end connection
33	= 5/8" x 3/4" or 3/4" meter x 3/4" end connection
34	= 5/8" x 3/4" or 3/4" meter x 1" end connection
44	= 1" meter x 1" end connection

### CARTRIDGE STYLE

#### 711-3YC

Star Nut x -22 CTS Union



Part No.	Size	Carton PCS/WT	Price
5135-251	23	1/3	\$142.59
5135-247	33	1/3	\$142.59

#### 711-3YG

Star Nut x G CTS Union

Part No.	Size	Carton PCS/WT	Price
5135-250	23	1/3	\$142.59
5135-246	33	1/3	\$142.59

#### 711-4YF

Star Nut x FNPT Union



Part No.	Size	Carton PCS/WT	Price
5135-476	44	1/4	\$246.74

#### 711-3YF

Star Nut x FNPT Union



Part No.	Size	Carton PCS/WT	Price
5135-249	23	1/2	\$137.39
5135-245	33	1/2	\$137.39

#### 711-3YM

Star Nut x MNPT Union



Part No.	Size	Carton PCS/WT	Price
5135-248	23	1/2	\$137.39
5135-244	33	1/2	\$137.39

#### 711-3YQ

Star Nut x K Male

Part No.	Size	Carton PCS/WT	Price
5134-048	33	1/3	\$142.59

#### 711-3YR

Star Nut x Q CTS



Part No.	Size	Carton PCS/WT	Price
5134-049	33	1/2	\$142.59

## Inline Accessible Dual Check

A.Y. McDonald's unique Inline Dual Check Backflow Valves have a meter star nut for iron yoke inlets. Our top cap and unique check module design assures convenient access to both checks for inspection, maintenance or replacement without removing the valve from the line. Backflow of water is still deterred if either of the checks are removed or inoperable.

### CARTRIDGE STYLE

#### 7111-3YE

Star Nut x FNPT



Part No.	Size	Carton PCS/WT	Price
5135-057	23	6/16	\$159.10
5135-058	33	6/15	\$159.10

### CASCADING STYLE

#### 7411-3YE

Star Nut x FNPT



Part No.	Size	Length	Carton PCS/WT	Price
5134-075	23	3.43	10/14	\$137.39
5134-064	33	3.43	10/13	\$137.39
5134-068	44	3.43	10/17	\$153.13

### OPTIONS

- For check valves with UFR option see UFR section or contact factory.
- Add "W" in place of "-" for pentagon test plug in cap i.e. 702-3YE 33 = 702W3YE 33, Add \$23.05



# Angle Yoke Style Dual Check Valves

## CARTRIDGE STYLE CHECK VALVES

A.Y. McDonald's unique Angle Dual Check Backflow Valves have a meter star nut for iron yoke inlets and a wide variety of outlet configurations. Our top cap and unique perpendicular check module design assures convenient access to both checks for inspection, maintenance, or replacement without removing the valve from the line. It also allows for a lower profile than traditional top entry dual checks. Back flow of water is still deterred if either of the checks are removed or inoperable.

- Check assembly can be removed easily with a pair of pliers.
- Check assembly remains together when removed from body (no loose pieces).
- Insert stiffeners are required on all flexible plastic connections.
- For Test Port Drain in cap, replace "-" in model number with "W".  
Example: 712-3YE = 712W3YE. Add \$23.05 to list price.

Size	Description
23	= 5/8" meter x 3/4" end connection
24	= 5/8" meter x 1" end connection
33	= 5/8" x 3/4" or 3/4" meter x 3/4" end connection
34	= 5/8" x 3/4" or 3/4" meter x 1" end connection
44	= 1" meter x 1" end connection

### 712-3Y2

Star Nut x -22 CTS



Part No.	Size	Carton PCS/WT	Price
5135-308	23	12/22	\$179.42
5135-490	24	12/24	\$195.06
5135-309	33	12/22	\$179.42
5135-491	34	12/24	\$195.06
5135-353	44	12/29	\$197.70

### 712-3YQ

Star Nut x Q CTS



Part No.	Size	Carton PCS/WT	Price
5135-067	23	12/24	\$179.42
5135-494	24	12/28	\$195.06
5135-068	33	12/22	\$179.42
5135-495	34	12/26	\$195.06
5135-075	44	12/29	\$197.70

### 712-4Y2

Star Nut x -22 CTS, 1" Port

Part No.	Size	Carton PCS/WT	Price
5135-006	24	10/40	\$278.21
5135-007	34	10/40	\$278.21
5135-436	44	10/33	\$289.88

### 712-3Y3

Star Nut x -33 PEP-7



Part No.	Size	Carton PCS/WT	Price
5135-480	23	12/26	\$195.06
5135-481	33	12/24	\$195.06

### 712-3YR

Star Nut x Flare



Part No.	Size	Carton PCS/WT	Price
5135-304	23	12/25	\$177.68
5135-305	33	12/25	\$177.68
5135-351	44	8/22	\$195.88

### 712-4YE

Star Nut x FNPT, 1" Port

Part No.	Size	Carton PCS/WT	Price
5135-432	44	10/28	\$262.20

### 712-3Y4

Star Nut x -44 PVC



Part No.	Size	Carton PCS/WT	Price
5135-482	23	12/25	\$195.06
5135-483	33	12/24	\$195.06

### 712-3YT

Star Nut x T CTS



Part No.	Size	Carton PCS/WT	Price
5135-306	23	12/24	\$179.42
5135-492	24	12/27	\$195.06
5135-307	33	12/23	\$179.42
5135-493	34	12/26	\$195.06
5135-352	44	12/30	\$197.70

### 712-4YQ

Star Nut x Q CTS, 1" Port



Part No.	Size	Carton PCS/WT	Price
5135-004	24	10/41	\$278.21
5135-005	34	10/32	\$278.21
5135-443	44	10/36	\$289.88

### 712-3Y5

Star Nut x -55 IP

Part No.	Size	Carton PCS/WT	Price
5135-484	23	12/25	\$195.06
5135-485	33	12/25	\$195.06

### 712-3YU

Star Nut x G CTS



Part No.	Size	Carton PCS/WT	Price
5133-475	23	12/24	\$179.42
5133-476	33	12/24	\$179.42
5192-385	44	12/31	\$197.70

### 712-4YR

Star Nut x Flare, 1" Port

Part No.	Size	Carton PCS/WT	Price
5135-002	24	10/33	\$275.78
5135-003	34	10/32	\$275.78
5135-434	44	10/34	\$287.43

### 712-3YE

Star Nut x FNPT



Part No.	Size	Carton PCS/WT	Price
5135-289	23	12/20	\$147.35
5135-488	24	12/23	\$163.00
5135-290	33	12/20	\$147.35
5135-489	34	12/22	\$163.00
5135-350	44	12/25	\$163.00

### 712-3YZ

Star Nut x -3Q PEP-7



Part No.	Size	Carton PCS/WT	Price
5135-486	23	12/28	\$195.06
5135-487	33	12/28	\$195.06

### 712-4YT

Star Nut x T CTS, 1" Port

Part No.	Size	Carton PCS/WT	Price
5135-008	24	10/40	\$278.21
5135-009	34	10/40	\$278.21
5135-442	44	10/34	\$289.88

## Angle Yoke Style Dual Check Valves

### CARTRIDGE STYLE CHECK VALVES

A.Y. McDonald's unique Angle Dual Check Backflow Valves have a meter star nut for iron yoke inlets and a wide variety of outlet configurations. Our top cap and unique check module design assures convenient access to both checks for inspection, maintenance, or replacement without removing the valve from the line. Backflow of water is still deterred if either of the checks are removed or inoperable.

- Insert stiffeners are required on all flexible plastic connections.

- Two inline checks.

- For Test Port Drain in cap, replace "-" in model number with "W".  
Example: 712-3YE = 712W3YE. Add \$23.05 to list price.

Size	Description
23	= 5/8" meter x 3/4" end connection
24	= 5/8" meter x 1" end connection
33	= 5/8" x 3/4" or 3/4" meter x 3/4" end connection
34	= 5/8" x 3/4" or 3/4" meter x 1" end connection
44	= 1" meter x 1" end connection



#### 7112-3YE

Star Nut x FNPT

Part No.	Size	Carton PCS/WT	Price
5135-023	23	6/12	\$147.35
5135-024	33	6/11	\$147.35
5135-031	44	6/13	\$163.00



#### 7112-3YR

Star Nut x Flare

Part No.	Size	Carton PCS/WT	Price
5135-027	23	6/13	\$177.68
5135-028	33	6/14	\$177.68



#### 7112-3Y2

Star Nut x -22 CTS

Part No.	Size	Carton PCS/WT	Price
5135-041	23	6/14	\$179.42
5134-087	24	6/14	\$195.06
5135-043	33	6/14	\$179.42
5135-045	34	6/14	\$195.06



#### 7112-3YQ

Star Nut x Q CTS

Part No.	Size	Carton PCS/WT	Price
5135-025	23	6/13	\$179.42
5135-026	33	6/14	\$179.42
5135-029	34	6/15	\$195.06



#### 7112-3YT

Star Nut x T CTS

Part No.	Size	Carton PCS/WT	Price
5135-040	23	6/14	\$179.42
5135-042	33	6/17	\$179.42
5135-044	34	6/16	\$195.06

#### 7112-3YU

Star Nut x G CTS

Part No.	Size	Carton PCS/WT	Price
5192-259	23	6/14	\$179.42
5192-255	33	6/13	\$179.42

#### 7112-4YE

Star Nut x FNPT

Part No.	Size	Carton PCS/WT	Price
5135-035	44	6/20	\$262.20



#### 7112-4YR

Star Nut x Flare

Part No.	Size	Carton PCS/WT	Price
5135-083	24	8/31	\$275.78
5135-082	34	6/21	\$275.78
5135-036	44	6/24	\$287.43



#### 7112-4Y2

Star Nut x -22 CTS

Part No.	Size	Carton PCS/WT	Price
5135-091	24	8/35	\$278.21
5135-090	34	8/28	\$278.21
5135-049	44	6/22	\$289.88

#### 7112-4YQ

Star Nut x Q CTS

Part No.	Size	Carton PCS/WT	Price
5135-085	24	8/43	\$278.21
5135-084	34	8/29	\$278.21
5135-037	44	6/23	\$289.88

#### 7112-4YT

Star Nut x T CTS

Part No.	Size	Carton PCS/WT	Price
5135-087	24	8/43	\$278.21
5135-086	34	8/43	\$278.21
5135-048	44	6/23	\$289.88

#### 7112-4YU

Star Nut x G CTS

Part No.	Size	Carton PCS/WT	Price
	24	6/24	\$278.21
5141-409	34	8/30	\$278.21
5149-496	44	6/21	\$289.88

### ANGLE YOKE STYLE CASCADING DUAL CHECK VALVE



#### 7312-3YE

Star Nut x FNPT

Part No.	Size	Carton PCS/WT	Price
5146-374	23	15/21	\$123.39
5134-054	33	15/21	\$127.10

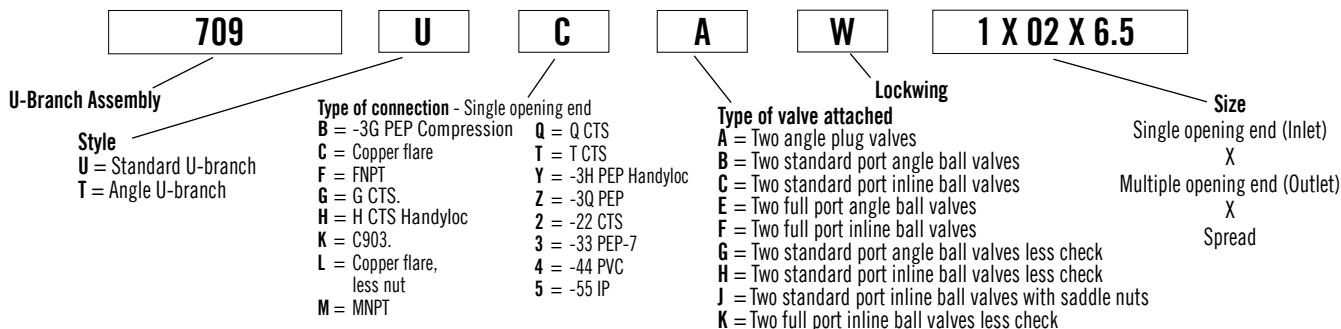
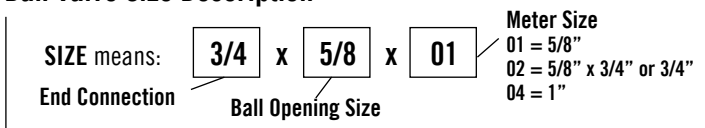


# U-Branches Assemblies for Iron Yokes

A.Y. McDonald U-branch includes a star nut for connection to iron yoke bars. These angle ball valves come standard with 90° “open to close” operating head and the angle plug valves come standard with a 180° “open to close” operating head. These ball valves are non-directional and the plug valves are directional.

- Insert stiffeners are required on all flexible plastic connections.

## Ball Valve Size Description



## BRANCH ASSEMBLIES

### 709TFEW

FNPT x Standard Port Angle Ball Valves

Part No.	Size	Carton PCS/WT	Price
5127-194	1" x 02 x 6.5	10/51	\$410.14

### 709UFCW

FNPT x Standard Port Inline Ball Valves

Part No.	Size	Carton PCS/WT	Price
5127-001	1" x 02 x 7.5	10/50	\$274.86

### 709U2BW

-22 CTS x Standard Port Angle Plug Valves

Part No.	Size	Carton PCS/WT	Price
5127-058	1" x 02 x 6.5	10/54	\$304.36
5127-386	1 1/2" x 02 x 7.5	10/52	\$384.94

### 709T2BW

-22 CTS x Standard Port Angle Ball Valves

Part No.	Size	Carton PCS/WT	Price
5127-194	1" x 02 x 6.5	10/51	\$301.64

### 709UCAW

Flare x Angle Plug Valves

Part No.	Size	Carton PCS/WT	Price
5127-196	1" x 02 x 6.5	10/50	\$221.41
5127-398	1" x 02 x 7.5	10/50	\$230.00

### 709U2CW

-22 CTS x Standard Port Inline Ball Valves

Part No.	Size	Carton PCS/WT	Price
5127-181	1" x 02 x 7.5	10/48	\$296.39

### 709UBAW

-3G PEP-7 x Angle Plug Valves

Part No.	Size	Carton PCS/WT	Price
5127-382	1" x 02 x 7.5	10/49	\$247.35

### 709UGAW

G CTS x Angle Plug Valves

Part No.	Size	Carton PCS/WT	Price
5127-385	1" x 02 x 7.5	10/45	\$281.37

### 709U2EW

-22 CTS x Full Port Angle Ball Valves

Part No.	Size	Carton PCS/WT	Price
5127-363	1" x 02 x 7.5	5/28	\$458.39

### 709UCEW

Flare x Full Port Angle Ball Valves

Part No.	Size	Carton PCS/WT	Price
5127-352	1" x 02 x 7.5	5/29	\$468.40

### 709UZAW

-3Q PEP-7 x Angle Plug Valves

Part No.	Size	Carton PCS/WT	Price
5127-077	1" x 02 x 7.5	10/42	\$259.62

### 709U4EW

-44 PVC x Full Port Angle Ball Valves

Part No.	Size	Carton PCS/WT	Price
5127-381	1 1/2" x 02 x 7.5	5/30	\$621.96

### 709UMCW

MNPT x Standard Port Inline Ball Valves

Part No.	Size	Carton PCS/WT	Price
5127-031	1" x 02 x 7.5	10/42	\$242.95

### 709UTBW

T CTS x Standard Port Angle Ball Valves

Part No.	Size	Carton PCS/WT	Price
5127-089	1" x 02 x 6.5	10/52	\$304.36

### 709U3AW

-33 PEP-7 x Standard Port Angle Plug

Part No.	Size	Carton PCS/WT	Price
5127-195	1" x 02 x 7.5	10/45	\$265.10



## Iron Yoke Assemblies and Packages

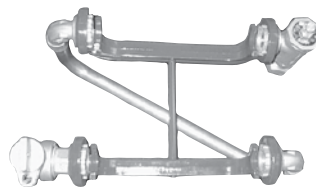
A.Y. McDonald offers a complete line of yoke assemblies and packages. Contact factory for assistance.



**Single Settings**  
714G425LEFF66



**Dual Yoke Settings**  
714H425LEFF44



**Tandem Yoke Settings**  
714-2--WY22 332



**Yoke Bar Assembly Only with Tie Bar**  
14-2-1TB  
14-2-2TB  
14-2-3TB  
14-2-4TB

### How to Order

To order Iron Yoke Assemblies: Model No. **714-1--LFC2 33** means:

<b>714</b>	<b>-</b>	<b>1</b>	<b>--</b>	<b>LF</b>	<b>C2</b>	Blank Space	<b>33</b>	
<b>Series</b>	<b>Style</b>	<b>Meter Size</b>	<b>Meter Depth</b>	<b>Inlet &amp; Outlet Valves</b>	<b>Type of Connection Inlet &amp; Outlet Valves</b>		<b>Sizes of Connection - Inlet &amp; Outlet Valves</b>	<b>Other/ Tandem</b>
714 - Iron Yoke		1 = 5/8" 2 = 5/8" x 3/4" 3 = 3/4" 4 = 1"	Two dashes or setter height				1 = 1/2" 2 = 5/8" 3 = 3/4" 4 = 1" 5 = 1 1/4" 6 = 1 1/2"	<b>If required -</b> (Identifies the size of the first iron yoke (inlet side) in a tandem yoke setting.)  1 = 5/8" 2 = 5/8" x 3/4" 3 = 3/4" 4 = 1"
<ul style="list-style-type: none"> <li>- = Normal iron yoke package or tandem yoke assy with expanders</li> <li>E = Tandem iron yoke assembly less expanders</li> <li>F = Single iron yoke assembly with expanders</li> <li>G = Single iron yoke assembly less expanders</li> <li>H = Dual yoke setter less expanders - includes tie bar if height is specified</li> <li>K = Dual yoke assembly with expanders, with tie bar between yokes</li> <li>L = Tandem yoke assembly less 4619's and less expanders</li> <li>P = Single pronged yoke bar assembly less expanders</li> <li>Q = Pronged dual yoke assembly less expanders - no tie bar</li> <li>R = Pronged iron yoke package with expander</li> <li>S = Pronged iron yoke assembly with expander</li> <li>Z = Single yoke setter assembly less expanders, bulk packed</li> </ul>		<ul style="list-style-type: none"> <li>C = Single Check</li> <li>D = Angle Dual check valve</li> <li>E = Elbow - 90° degrees</li> <li>F = Elbow with drain</li> <li>I = Full Port angle ball valve with lockwing with brass handle</li> <li>J = Full Port angle ball valve with lockwing</li> <li>K = Inline ball valve less lockwing - reducing port with drain and handle</li> <li>L = Angle plug valve with lockwing</li> <li>M = 1" port angle dual check valve</li> <li>N = Inline ball valve less lockwing - reduced port</li> <li>P = Inline ball valve less lockwing - reduced port with brass handle</li> <li>T = Angle plug valve with lockwing - with drain</li> <li>V = Angle plug valve with lockwing - reduced port, with brass handle</li> <li>W = Angle ball valve with lockwing - reduced port</li> <li>Y = Angle plug valve with lockwing - reduced port, with brass handle</li> </ul>		<ul style="list-style-type: none"> <li>B = -3G PEP-7 (-3G series with stop)</li> <li>C = Copper flare</li> <li>E = Female iron pipe (integral)</li> <li>F = Female iron pipe (integral elbow)</li> <li>G = G CTS McGrip (with stop)</li> <li>H = H CTS Handyloc</li> <li>P = Male iron pipe (integral)</li> <li>Q = Q CTS (with stop)</li> <li>R = G CTS McGrip without Stop</li> <li>T = T CTS</li> <li>U = -3G PEP-7</li> <li>Y = -3H PEP-7 (with stop)</li> <li>Z = -3Q PEP-7 (with stop)</li> <li>2 = 22 CTS pack nut</li> <li>3 = 33 CTS pack nut</li> <li>4 = 44 CTS pack nut</li> <li>5 = 55 CTS pack nut</li> </ul>				

All Configurations Not Available,  
Contact Factory for Verification of Configuration.







**WITHOUT  
YOU  
THERE IS  
NO US.**



# Meter Boxes

January 11, 2022 - Revised July 2024



## 772 "G" Series Meter Box

5/8", 5/8" X 3/4" METER - SINGLE

The "G" Series Meter Yoke Boxes utilize an expander for meter installation and are economical with having no bottom. It's designed to hold 5/8" or 5/8" x 3/4" standard meter, and is installed in the service line as a unit that adapts to various service line materials.

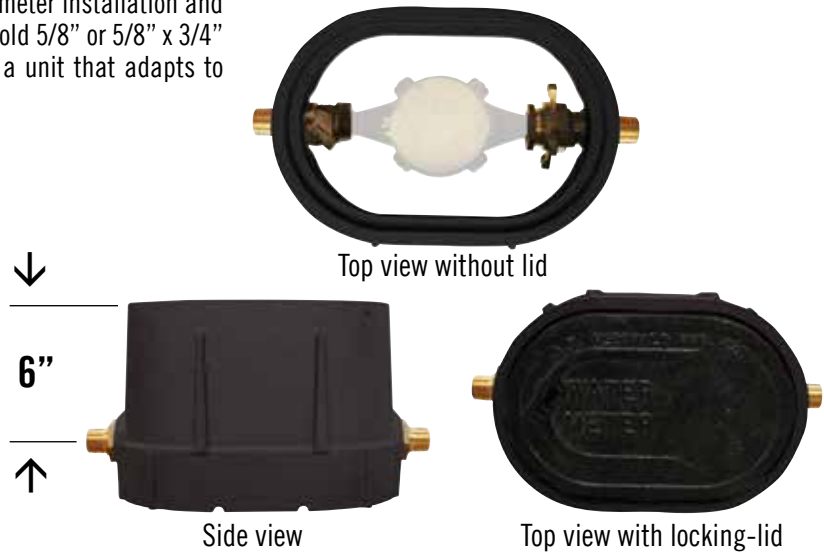
### A Standard "G" Box Includes:

- Cast iron meets ASTM A48, Class 25
- No-Lead water works brass
- Cast iron locking lid
- Expansion connection
- Economical installation
- Standard inlet ball valve
- Standard straight connection outlet

### Benefits

- Strength and longevity
- Meets AWWA C800 latest revision
- Secures meter installation
- Quick and easy wrench free meter change outs
- Requires only minimal excavation (8" depth)
- Easily operated, designed for years of trouble free service

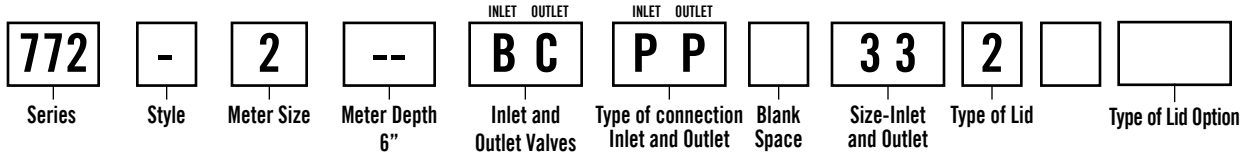
### Single "G" Box



**Straight Ball Valve Inlet x Straight Connection Outlet "BC":**  
5/8" x 3/4" Meters

Part No.	Model	Inlet Connection	Outlet Connection	Carton PCS/WT	List Price
5176-006	772-2--BCPP 332	3/4" "P" MNPT	3/4" "P" MNPT	1/28	\$272.48

To order Meter Boxes - Model No. **772-2--BCPP 332** means:



### G-Box Options for Ball Valve and Connection

Inlet Ball Valve "B"

Option	Size	List Price
P - MNPT	3/4"	N/C
T - "T" CTS	3/4"	\$16.27
2 - "22" CTS	3/4"	\$16.27

(List Price Adder Per End Connection)

Outlet Connection "C"

Option	Size	List Price
P - MNPT	3/4"	N/C
T - "T" CTS	3/4"	\$16.27
2 - "22" CTS	3/4"	\$16.27

(List Price Adder Per End Connection)

### Key

For G-Box Lid

Part No.	Model	Carton PCS/WT	List Price
4175-165	75KEY	10/3	\$17.44

### ERT Under Lid Mount

For G-Box Plastic Lid

Part No.	Model	Carton PCS/WT	List Price
4175-323	75-ERT	20/2	\$7.96

### Lid Options

Last digit in model number to get the following:

Option	Description	List Price
1	Nonlocking Cast Iron Lid	N/C
1 x802	Nonlocking Plastic Snap In Lid	N/C
1 x803	Nonlocking Plastic Snap In Lid with ERT Mounting Bracket	\$6.74
2	Locking Cast Iron Lid (standard)	N/C
2 x800	Locking Plastic Lid	N/C
2 x801	Locking Plastic Lid with ERT Mounting Bracket	\$6.74
3	Locking Cast Iron Lid with 2" Hole	\$4.56
3 x800	Locking Plastic Lid with 2" Hole	\$4.56
3 x801	Locking Plastic Lid with 2" Hole and ERT Mounting Bracket	\$11.30
3L3SH	Locking Cast Iron Lid with Offset 2" Hole	\$4.56
4	Locking Cast Iron Lid with 2" Hole with Removable Plug Assembled	\$12.40
5	Nonlocking Cast Iron Lid with 2" hole	\$4.56
6	Locking Cast Iron Lid with Flip Tab for reading Meter	\$13.47
6 x101	Nonlocking Cast Iron Lid with Flip Tab for Reading Meter	\$13.47
7	Nonlocking Cast Iron Lid with 2" Hole and Removable Plug Assembled	\$12.40

### 2" Plastic Plug and Nut

Part No.	Model	Carton PCS/WT	List Price
4173-142	74MPPL	10/3	\$23.13

### 2" Cast Iron Plug

With Cotter Pins

Part No.	Model	Carton PCS/WT	List Price
4174-059	74MCIPL	1/1	\$8.51



## 772 "G" Series Meter Box

5/8", 5/8" X 3/4" METER - SINGLE

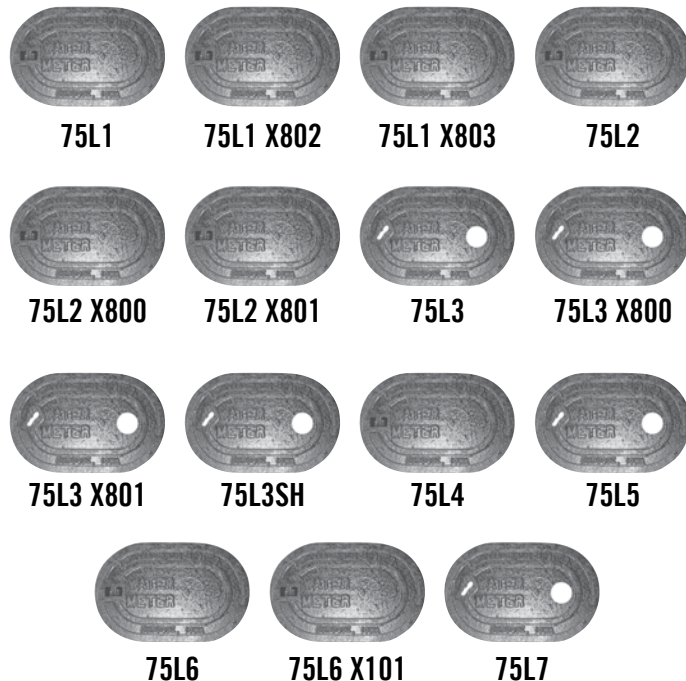
Single "G" Box



## Repair Parts

### Lid Only

Part No.	Option	Description	List Price
4175-200	75L1	Nonlocking Cast Iron Lid	\$26.73
4175-367	75L1 x802	Nonlocking Plastic Snap In Lid	\$26.73
4175-331	75L1 x803	Nonlocking Plastic Snap In Lid with ERT Mounting Bracket	\$33.48
4175-105	75L2	Locking Cast Iron Lid (standard)	\$26.73
4175-290	75L2 x800	Locking Plastic Lid	\$26.73
4175-320	75L2 x801	Locking Plastic Lid with ERT Mounting Bracket	\$33.48
4175-127	75L3	Locking Cast Iron Lid with 2" Hole	\$31.29
4175-321	75L3 x800	Locking Plastic Lid with 2" Hole	\$31.29
4175-322	75L3 x801	Locking Plastic Lid with 2" Hole and ERT Mounting Bracket	\$38.04
4175-164	75L3SH	Locking Cast Iron Lid with Offset 2" Hole	\$48.37
	75L4	Locking Cast Iron Lid with 2" Hole with Removable Plug Assembled	\$39.79
	75L5	Nonlocking Cast Iron Lid with 2" hole	\$31.29
4175-158	75L6	Locking Cast Iron Lid with Flip Tab for reading Meter	\$40.19
4176-148	75L6 x101	Nonlocking Cast Iron Lid with Flip Tab for Reading Meter	\$40.19
	75L7	Nonlocking Cast Iron Lid with 2" Hole and Removable Plug Assembled	\$39.79



### Cast Iron Body Only

Part No.	Model	Carton PCS/WT	List Price
	72US SINGLE G-BOX BODY ONLY	1/19	\$70.76

### Jam Nut Only

Part No.	Model	Carton PCS/WT	List Price
4189-103	90-NBTM	20/2	\$10.30

### Complete Hardware Packages - Less Lid & Body

Inlet Ball Valve x Connection "BC"

Part No.	Model	Inlet Connection	Outlet Connection	Carton PCS/WT	List Price
5176-008	772-2SABCPP 33	3/4" "P" MNPT	3/4" "P" MNPT	1/4	\$174.99
5176-009	772-2SABC22 33	3/4" "-22" CTS	3/4" "-22" CTS	1/4	\$207.55
	772-2SABCTT 33	3/4" "T" CTS	3/4" "T" CTS	1/4	\$207.55

### Ball Valve with Jam Nut Only

Part No.	Model	Inlet Connection	Outlet Connection	Carton PCS/WT	List Price
5176-087	76107V 3/4X5/8X3/4	3/4" "P" MNPT	5/8"x3/4" Cradle	20/26	\$94.90
5176-304	76100V-22 3/4X5/8X3/4	3/4" "-22" CTS	5/8"x3/4" Cradle	20/32	\$118.09
	76100VT 3/4X5/8X3/4	3/4" "T" CTS	5/8"x3/4" Cradle	20/32	\$118.09

### Outlet Connection with Jam Nut Only

Part No.	Model	Inlet Connection	Outlet Connection	Carton PCS/WT	List Price
5176-168	772-2SCP 3/4	5/8"x3/4" Cradle	3/4" "P" MNPT	10/7	\$25.91
	772-2SC2 3/4	5/8"x3/4" Cradle	3/4" "-22" CTS	10/10	\$48.22
	772-2SCT 3/4	5/8"x3/4" Cradle	3/4" "T" CTS	10/10	\$48.22

### Expander with Gaskets Only

5/8" x 3/4" Meter

Part No.	Model	Inlet Connection	Outlet Connection	Carton PCS/WT	List Price
5175-639	775-2SA	5/8"x3/4" Female Meter Thread	5/8"x3/4" Nose Piece	25/23	\$44.98



## 772 "G" Series Meter Box 5/8" METER - DOUBLE

The "G" Series Meter Yoke Boxes utilize an expander for meter installation and are economical with having no bottom. It's designed to hold 5/8" or 5/8" x 3/4" standard meter, and is installed in the service line as a unit that adapts to various service line materials.

### A Standard "G" Box Includes:

- Cast iron meets ASTM A48, Class 25
- No-Lead water works brass
- Cast iron locking lid
- Expansion connection
- Economical installation
- Standard inlet ball valve
- Standard straight connection outlet

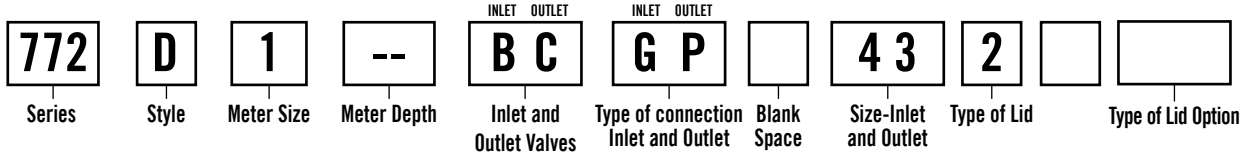
### Benefits

- Strength and longevity
- Meets AWWA C800 latest revision
- Secures meter installation
- Quick and easy wrench free meter change outs
- Requires only minimal excavation (8" depth)
- Easily operated, designed for years of trouble free service

Double "G" Box



To order Meter Boxes - Model No. **772D1--BCGP 432** means:



**Straight Ball Valve Inlet x Straight Connection Outlet "BC":**  
5/8" Meters

Part No.	Model	Inlet Connection	Outlet Connection	Carton PCS/WT	List Price
772D1--BCGP 432		1" FNPT	3/4" MNPT	1/45	\$620.97

**Angle Ball Valve Inlet x Straight Connection Outlet "BC":**  
5/8" Meters

Part No.	Model	Inlet Connection	Outlet Connection	Carton PCS/WT	List Price
772F1--BCGP 432		1" FNPT	3/4" MNPT	1/45	\$638.01

**Double G-Box Options for Ball Valve and Connection**  
Inlet Straight Ball Valve "B"

Option	Size	List Price
G - FNPT	1"	N/C
Q - "Q" CTS (option for inlet only)	1"	\$17.75
T - "T" CTS	1"	\$17.75
V - "G" CTS (option for inlet only)	1"	\$17.75
2 - "22" CTS	1"	\$17.75

(List Price Adder Per End Connection)

**Double G-Box Options for Ball Valve and Connection**  
Inlet Anglet Ball Valve "B"

Option	Size	List Price
C - Flare	1"	\$7.00
G - FNPT	1"	N/C
Q - "Q" CTS (option for inlet only)	1"	\$17.75
T - "T" CTS	1"	\$17.75
V - "G" CTS (option for inlet only)	1"	\$17.75
2 - "22" CTS	1"	\$17.75

(List Price Adder Per End Connection)

**Outlet Straight Connection "C"**

Option	Size	List Price
P - MNPT	3/4"	N/C
T - "T" CTS	3/4"	\$16.27
2 - "22" CTS	3/4"	\$16.27

(List Price Adder Per End Connection)

**Outlet Straight Connection "C"**

Option	Size	List Price
P - MNPT	3/4"	N/C
T - "T" CTS	3/4"	\$16.27
2 - "22" CTS	3/4"	\$16.27

(List Price Adder Per End Connection)

### Lid Options

Last digit in model number to get the following:  
(insert at end of model number i.e. 772F2--BCGP 432X800 becomes 772F2--BCGP 432TX800)

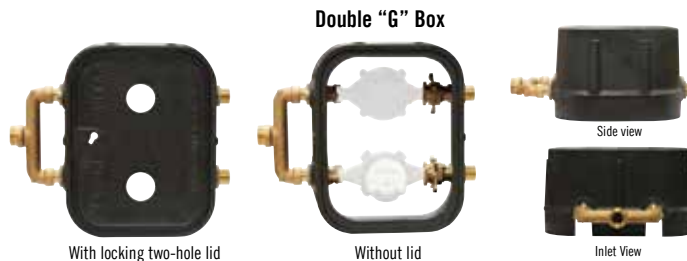
Option	Description	List Price
1	Nonlocking Cast Iron Lid (with key hole less locking mechanism)	N/C
2	Locking Cast Iron Lid (standard)	N/C
2 x807	Locking Plastic Lid	N/C
T	Nonlocking Cast Iron Lid with 2" hole	\$4.56
TT	Locking Cast Iron Lid with Flip Tab for reading Meter	\$9.13
TC	Nonlocking Cast Iron Lid with Flip Tab for Reading Meter	\$4.56
P	Nonlocking Cast Iron Lid with 2" Hole and Removable Plug Assembled	\$7.84
PP	Nonlocking Cast Iron Lid with 2" Hole and Removable Plug Assembled	\$26.15





# 772 "G" Series Meter Box

## 5/8" METER - DOUBLE



## Repair Parts

### Lid Only

Part No.	Option	Description	List Price
4176-134	72DL1	Nonlocking Cast Iron Lid (with key hole less locking mechanism)	\$47.14
4176-068	72DL2	Locking Cast Iron Lid (standard)	\$47.14
4176-265	72DL2 x800	Standard Key	\$47.14
4176-203	72DL2 x807	Locking Plastic Lid	\$47.14
4176-068	72DL2TT	Locking Cast Iron Lid with 2" Holes	\$56.26
4176-266	72DL2TT x800	Standard Key	\$56.26
4176-150	72DL2TT x807	Locking Plastic Lid with 2" Holes	\$56.26

### Complete Hardware Packages - Less Lid & Body

Straight Inlet Ball Valve x Straight Connection "BC"

Part No.	Model	Inlet Connection	Outlet Connection	Carton PCS/WT	List Price
5176-140	772D1SABC22 43	1" CTS -22	3/4" CTS -22	1/9	\$468.18
	772D1SABCTT 43	1" CTS T	3/4" CTS T	1/9	\$468.18
5176-145	772D1SABC2P 43	1" CTS -22	3/4" MNPT	1/9	\$435.64

### Inlet U-Branches Assemblies Only

Straight Inlet U-Branch & Valve Assembly

Part No.	Model	Inlet Connection	Outlet Connection	Carton PCS/WT	List Price
	709UQV 1X01X6.5	1" CTS Q	5/8" Cradle	5/26	\$289.28

### U-Branch- Only

Straight Inlet

Part No.	Model	Inlet Connection	Outlet Connection	Carton PCS/WT	List Price
5127-407	708UFF 1X3/4X6.5	1" FNPT	3/4" FNPT	15/47	\$81.75
5127-408	708UQF 1X3/4X6.5	1" CTS Q	3/4" FNPT	15/52	\$99.50

Angle Inlet

Part No.	Model	Inlet Connection	Outlet Connection	Carton PCS/WT	List Price
5127-412	708TOF 1X3/4X6.5	1" CTS Q	3/4" FNPT	15/52	\$107.30
5127-431	708TCF 1X3/4X6.5	1" FLARE	3/4" FNPT	15/38	\$105.78
5127-411	708TFF 1X3/4X6.5	1" FNPT	3/4" FNPT	15/47	\$98.78

### Inlet Valve with Jam Nut Only

Part No.	Model	Inlet Connection	Outlet Connection	Carton PCS/WT	List Price
	76107V 3/4X5/8X5/8	3/4" MNPT	5/8" Cradle	20/26	\$94.90

### Outlet Connection with Jam Nut Only

Part No.	Model	Inlet Connection	Outlet Connection	Carton PCS/WT	List Price
	772-1SC2 3/4	5/8" Cradle	3/4" CTS -22	10/10	\$48.70
	772-1SCT 3/4	5/8" Cradle	3/4" CTS T	10/10	\$48.70
	772-1SCP 3/4	5/8" Cradle	3/4" MNPT	10/7	\$25.91

### Expander with Gaskets Only

Part No.	Model	Inlet Connection	Outlet Connection	Carton PCS/WT	List Price
5175-912	775-ISA	5/8" Female Meter Thread	5/8" Nose Piece	25/23	\$39.19

### Cast Iron Body Only

Part No.	Model	Carton PCS/WT	List Price
4176-078	72DUS DOUBLE G-BOX BODY	1/29	\$155.95

### Jam Nut Only

Part No.	Model	Carton PCS/WT	List Price
4189-103	90-NBTM	20/2	\$10.30

### Stainless Steel Bottom For Double "G" Box

Part No.	Model	Carton PCS/WT	List Price
	72DBT-SS	1/3	\$67.73



## 772 "G" Series Meter Box 5/8" X 3/4" METER - DOUBLE

The "G" Series Meter Yoke Boxes utilize an expander for meter installation and are economical with having no bottom. It's designed to hold 5/8" or 5/8" x 3/4" standard meter, and is installed in the service line as a unit that adapts to various service line materials.

### A Standard "G" Box Includes:

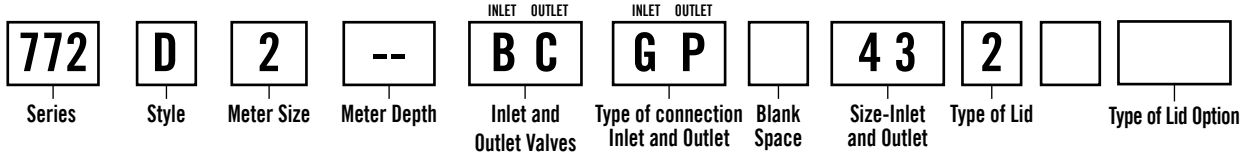
- Cast iron meets ASTM A48, Class 25
- No-Lead water works brass
- Cast iron locking lid
- Expansion connection
- Economical installation
- Standard inlet ball valve
- Standard straight connection outlet

### Benefits

- Strength and longevity
- Meets AWWA C800 latest revision
- Secures meter installation
- Quick and easy wrench free meter change outs
- Requires only minimal excavation (8" depth)
- Easily operated, designed for years of trouble free service



To order Meter Boxes - Model No. **772D2--BCGP 432** means:



**Straight Ball Valve Inlet x Straight Connection Outlet "BC":**  
5/8" x 3/4" Meters

Part No.	Model	Inlet Connection	Outlet Connection	Carton PCS/WT	List Price
5176-010	772D2--BCGP 432	1" FNPT	3/4" MNPT	1/51	\$618.64

**Angle Ball Valve Inlet x Straight Connection Outlet "BC":**  
5/8" x 3/4" Meters

Part No.	Model	Inlet Connection	Outlet Connection	Carton PCS/WT	List Price
5176-014	772F2--BCGP 432	1" FNPT	3/4" MNPT	1/47	\$645.79

**Double G-Box Options for Ball Valve and Connection**  
Inlet Straight Ball Valve "B"

Option	Size	List Price
G - FNPT	1"	N/C
Q - "Q" CTS (option for inlet only)	1"	\$17.75
T - "T" CTS	1"	\$17.75
V - "G" CTS (option for inlet only)	1"	\$17.75
2 - "22" CTS	1"	\$17.75

(List Price Adder Per End Connection)

**Double G-Box Options for Ball Valve and Connection**  
Inlet Anglet Ball Valve "B"

Option	Size	List Price
C - Flare	1"	\$7.00
G - FNPT	1"	N/C
Q - "Q" CTS (option for inlet only)	1"	\$17.75
T - "T" CTS	1"	\$17.75
V - "G" CTS (option for inlet only)	1"	\$17.75
2 - "22" CTS	1"	\$17.75

(List Price Adder Per End Connection)

**Outlet Straight Connection "C"**

Option	Size	List Price
P - MNPT	3/4"	N/C
T - "T" CTS	3/4"	\$16.27
2 - "22" CTS	3/4"	\$16.27

(List Price Adder Per End Connection)

**Outlet Straight Connection "C"**

Option	Size	List Price
P - MNPT	3/4"	N/C
T - "T" CTS	3/4"	\$16.27
2 - "22" CTS	3/4"	\$16.27

(List Price Adder Per End Connection)

### Lid Options

Last digit in model number to get the following:  
(insert at end of model number i.e. 772F2--BCGP 432X800 becomes 772F2--BCGP 432TTX800)

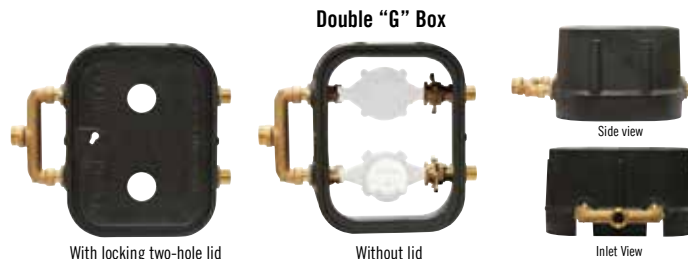
Option	Description	List Price
1	Nonlocking Cast Iron Lid (with key hole less locking mechanism)	N/C
2	Locking Cast Iron Lid (standard)	N/C
2x807	Locking Plastic Lid	N/C
T	Nonlocking Cast Iron Lid with 2" hole	\$4.56
TT	Locking Cast Iron Lid with Flip Tab for reading Meter	\$9.13
TC	Nonlocking Cast Iron Lid with Flip Tab for Reading Meter	\$4.56
P	Nonlocking Cast Iron Lid with 2" Hole and Removable Plug Assembled	\$7.84
PP	Nonlocking Cast Iron Lid with 2" Hole and Removable Plug Assembled	\$26.15





# 772 "G" Series Meter Box

## 5/8" X 3/4" METER - DOUBLE



## Repair Parts

### Lid Only

Option	Description	List Price
72DL1	Nonlocking Cast Iron Lid (with key hole less locking mechanism)	\$47.14
72DL2	Locking Cast Iron Lid (standard)	\$47.14
72DL2 x807	Locking Plastic Lid	\$47.14
72DL2TT	Locking Cast Iron Lid with 2" Holes	\$56.26
72DL2TT x807	Locking Plastic Lid with 2" Holes	\$56.26

### Complete Hardware Packages - Less Lid & Body

Straight Inlet Ball Valve x Straight Connection "BC"

Part No.	Model	Inlet Connection	Outlet Connection	Carton PCS/WT	List Price
5176-013	772D2SABC22 43	1" CTS -22	3/4" CTS -22	1/9	\$476.91
	772D2SABCTT 43	1" CTS T	3/4" CTS T	1/9	\$476.91
5176-012	772D2SABCGP 43	1" FNPT	3/4" MNPT	1/13	\$415.53
5176-051	772D2SABCVP 43	1" CTS G	3/4" MNPT	1/8	\$444.26

### Angle Ball Valve Inlet x Straight Outlet

Part No.	Model	Inlet Connection	Outlet Connection	Carton PCS/WT	List Price
5176-024	772F2SABC22 43	1" CTS -22	3/4" CTS -22	1/9	\$479.16
	772F2SABCTT 43	1" CTS T	3/4" CTS T	1/9	\$479.16
5176-043	772F2SABCCP 43	1" Flare	3/4" MNPT	1/9	\$451.12
5176-016	772F2SABCGP 43	1" FNPT	3/4" MNPT	1/8	\$442.70
5176-062	772F2SABCHP 43	1" Flare less nut	3/4" MNPT	1/8	\$441.62

### Inlet U-Branch Assemblies Only

#### Straight Inlet U-Branch & Valve Assembly

Part No.	Model	Inlet Connection	Outlet Connection	Carton PCS/WT	List Price
	709UQV 1X02X6.5	1" CTS Q	5/8"x3/4" Cradle	5/26	\$289.28
5176-174	709UFV 1X02X6.5	1" FNPT	5/8"x3/4" Cradle	5/24	\$271.53

#### Angle Inlet U-Branch & Valve Assembly

Part No.	Model	Inlet Connection	Outlet Connection	Carton PCS/WT	List Price
	709TQV 1X02X6.5	1" CTS Q	5/8"x3/4" Cradle	5/26	\$297.09
	709TCV 1X02X6.5	1" Flare	5/8"x3/4" Cradle	5/25	\$295.57
	709TFV 1X02X6.5	1" FNPT	5/8"x3/4" Cradle	5/24	\$288.58

### U-Branch- Only

#### Straight Inlet

Part No.	Model	Inlet Connection	Outlet Connection	Carton PCS/WT	List Price
5127-407	708UFF 1X3/4X6.5	1" FNPT	3/4" FNPT	15/47	\$81.75
5127-408	708UQF 1X3/4X6.5	1" CTS Q	3/4" FNPT	15/52	\$99.50

#### Angle Inlet

Part No.	Model	Inlet Connection	Outlet Connection	Carton PCS/WT	List Price
5127-412	708TQF 1X3/4X6.5	1" CTS Q	3/4" FNPT	15/52	\$107.30
5127-431	708TCF 1X3/4X6.5	1" Flare	3/4" FNPT	15/38	\$105.78
5127-411	708TFF 1X3/4X6.5	1" FNPT	3/4" FNPT	15/47	\$98.78

### Inlet Valve with Jam Nut Only

Part No.	Model	Inlet Connection	Outlet Connection	Carton PCS/WT	List Price
5176-087	76107V 3/4X5/8X3/4	3/4" MNPT	3/4" Cradle	20/26	\$94.90

### Outlet Connection with Jam Nut Only

Part No.	Model	Inlet Connection	Outlet Connection	Carton PCS/WT	List Price
	772-2SC2 3/4	5/8"x3/4" Cradle	3/4" CTS -22	10/10	\$48.70
	772-2SCT 3/4	5/8"x3/4" Cradle	3/4" CTS T	10/10	\$48.70
5176-168	772-2SCP 3/4	5/8"x3/4" Cradle	3/4" MNPT	10/7	\$25.91

### Expander with Gaskets Only

Part No.	Model	Inlet Connection	Outlet Connection	Carton PCS/WT	List Price
5175-639	775-2SA	5/8" Female Meter Thread	5/8" x 3/4" Nose Piece	25/23	\$44.98

### Cast Iron Body Only

Part No.	Model	Carton PCS/WT	List Price
4176-078	72DUS DOUBLE G-BOX BODY	1/29	\$155.95

### Jam Nut Only

Part No.	Model	Carton PCS/WT	List Price
4189-103	90-NBTM	20/2	\$10.30

### Stainless Steel Bottom For Double "G" Box

Part No.	Model	Carton PCS/WT	List Price
4176-195	72DBT-SS	1/3	\$67.73



## 773 "G" Series Meter Box 1" X 3/4" METER - DOUBLE

The "G" Series Meter Yoke Boxes utilize an expander for meter installation and are economical with having no bottom. It's designed to hold 5/8" or 5/8" x 3/4" standard meter, and is installed in the service line as a unit that adapts to various service line materials.

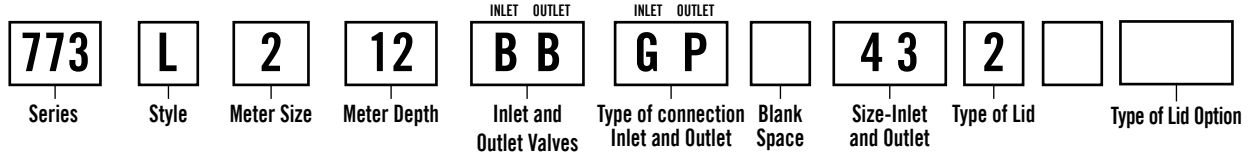
### A Standard "G" Box Includes:

- Cast iron meets ASTM A48, Class 25
- No-Lead water works brass
- Cast iron locking lid
- Expansion connection
- Economical installation
- Standard inlet ball valve
- Standard straight connection outlet

### Benefits

- Strength and longevity
- Meets AWWA C800 latest revision
- Secures meter installation
- Quick and easy wrench free meter change outs
- Requires only minimal excavation (8" depth)
- Easily operated, designed for years of trouble free service

To order Meter Boxes - Model No. **773L212BBGP 432** means:



### Long Double wide with 2 Dual Checks with straight U-Branch 1" x 3/4" Meters

Part No.	Model	Inlet Connection	Outlet Connection	Carton PCS/WT	List Price
5176-103	773L212BBGP 432	1" FNPT	3/4" MNPT	1/51	\$1,486.50
5176-106	773L212BBGP 432TC	1" FNPT	3/4" MNPT	1/51	\$1,491.06
5176-107	773L212BBGP 432TT	1" FNPT	3/4" MNPT	1/51	\$1,495.63

### Long Double wide with 2 Dual Checks with 90° Angle U-Branch 1" x 3/4" Meters

Part No.	Model	Inlet Connection	Outlet Connection	Carton PCS/WT	List Price
5176-108	773M212BBGP 432	1" FNPT	3/4" MNPT	1/51	\$1,510.52
5176-250	773M212BBGP 432TT	1" FNPT	3/4" MNPT	1/51	\$1,519.65

### Double Long G-Box Options for Ball Valve and Connection Inlet Straight Ball Valve "B"

Option	Size	List Price
G - FNPT	1"	N/C
Q - "Q" CTS (option for inlet only)	1"	\$17.75
T - "T" CTS	1"	\$17.75
V - "G" CTS (option for inlet only)	1"	\$17.75
2 - "22" CTS	1"	\$17.75

(List Price Adder Per End Connection)

### Double Long G-Box Options for Ball Valve and Connection Inlet Anglet Ball Valve "B"

Option	Size	List Price
C - Flare	1"	\$7.00
G - FNPT	1"	N/C
Q - "Q" CTS (option for inlet only)	1"	\$17.75
T - "T" CTS	1"	\$17.75
V - "G" CTS (option for inlet only)	1"	\$17.75
2 - "22" CTS	1"	\$17.75

(List Price Adder Per End Connection)

### Lid Options

Last digit in model number to get the following:  
(insert at end of model number i.e. 772F2--BCGP 432X800 becomes 772F2--BCGP 432TTX800)

Option	Description	List Price
1	Nonlocking Cast Iron Lid (with key hole less locking mechanism)	N/C
2	Locking Cast Iron Lid (standard)	N/C
TT	Locking Cast Iron Lid with 2" Holes	\$9.13
PP	Nonlocking Cast Iron Lid with 2" Hole and Removable Plug Assembled	\$26.15

### Lid Only

Option	Description	List Price
73L2		\$79.69
73L3		\$84.25



# 773 "G" Series Meter Box

## 1" X 3/4" METER - DOUBLE

### Repair Parts

#### Complete Hardware Packages - Less Lid & Body

Straight Inlet Ball Valve x Straight Outlet Ball Valve

Part No.	Model	Inlet Connection	Outlet Connection	Carton PCS/WT	List Price
5176-105	773L2SABBG	1" Flare	3/4" CTS -22	1/9	\$476.91
5176-109	773M2SABBCP	1" CTS T	3/4" CTS T	1/9	\$476.91
5176-104	773N2SABBG	1" FNPT	3/4" MNPT	1/13	\$415.53

#### Inlet U-Branches Assemblies Only

Straight Inlet U-Branch & Valve Assembly

Part No.	Model	Inlet Connection	Outlet Connection	Carton PCS/WT	List Price
	709UQV 1X02X6.5	1" CTS Q	5/8"x3/4" Cradle	5/26	\$289.28
5176-174	709UFV 1X02X6.5	1" FNPT	5/8"x3/4" Cradle	5/24	\$271.53

Angle Inlet U-Branch & Valve Assembly

Part No.	Model	Inlet Connection	Outlet Connection	Carton PCS/WT	List Price
	709TQV 1X02X6.5	1" CTS Q	5/8"x3/4" Cradle	5/26	\$297.09
	709TCV 1X02X6.5	1" Flare	5/8"x3/4" Cradle	5/25	\$295.57
	709TFV 1X02X6.5	1" FNPT	5/8"x3/4" Cradle	5/24	\$288.58

#### U-Branch- Only

Straight Inlet

Part No.	Model	Inlet Connection	Outlet Connection	Carton PCS/WT	List Price
5127-407	708UFF 1X3/4X6.5	1" FNPT	3/4" FNPT	15/47	\$81.75
5127-408	708UQF 1X3/4X6.5	1" CTS Q	3/4" FNPT	15/52	\$99.50

Angle Inlet

Part No.	Model	Inlet Connection	Outlet Connection	Carton PCS/WT	List Price
5127-412	708TQF 1X3/4X6.5	1" CTS Q	3/4" FNPT	15/52	\$107.30
5127-431	708TCF 1X3/4X6.5	1" Flare	3/4" FNPT	15/38	\$105.78
5127-411	708TFF 1X3/4X6.5	1" FNPT	3/4" FNPT	15/47	\$98.78

#### Inlet Valve with Jam Nut Only

Part No.	Model	Inlet Connection	Outlet Connection	Carton PCS/WT	List Price
5176-087	76107V 3/4X5/8X3/4	3/4" MNPT	3/4" Cradle	20/26	\$94.90

#### Outlet Connection with Jam Nut Only

Part No.	Model	Inlet Connection	Outlet Connection	Carton PCS/WT	List Price
5176-227	773N2SCP	5/8"x3/4" Cradle	3/4" CTS -22	10/10	\$48.70

#### Expander with Gaskets Only

Part No.	Model	Inlet Connection	Outlet Connection	Carton PCS/WT	List Price
5175-639	775-2SA	5/8" Female Meter Thread	5/8" x 3/4" Nose Piece	25/23	\$44.98

#### Jam Nut Only

Part No.	Model	Carton PCS/WT	List Price
4189-103	90-NBTM	20/2	\$10.06

#### Inline Dual Check

Part No.	Model	List Price
5123-171	711X3NA 44	\$119.82



## 775 Series - Yoke Box

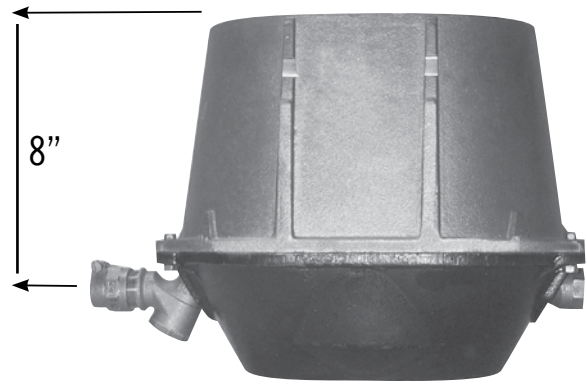
5/8" OR 5/8" X 3/4" METER

Straight and angle valves are available for the yokebox inlet and outlet, 8" bury is standard. Angle valves are 60° from horizontal. Straight back flow or connection outlets are available. Cast iron base keeps out dirt, mud, and pests, resulting in a cleaner meter. Holes in the base provide drainage.

Cast iron base, upper section, and lid are black dip coated to help prevent rust. Expansion connection and gaskets are also included with package.

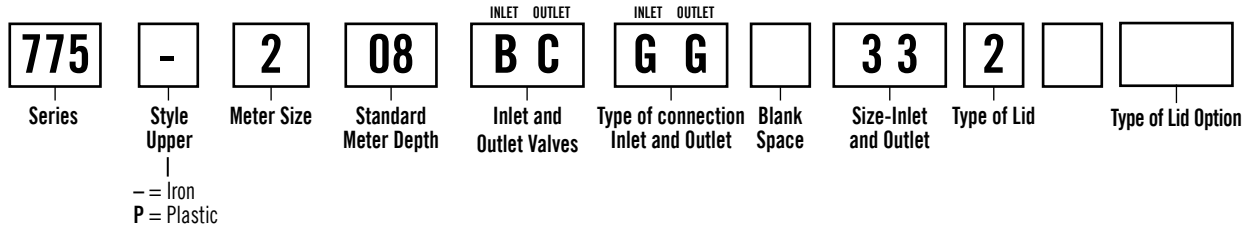
### A standard fully assembled yokebox includes:

- Cast Iron Base
- 8" Cast Iron Upper Section
- Cast Iron Locking lid standard
- Inlet and Outlet Connection
- Shallow center line of meter 8" below grade



**NOTE:** All combinations may not be available with all models. Contact factory for further information.

To order Yoke Boxes - Model No. **775-208BCGG 332** means:



### Straight Ball Valve Inlet x Straight Connection Outlet "BC": 5/8" Meters

Part No.	Model	Inlet Connection	Outlet Connection	Carton PCS/WT	List Price
	775-108BC22 432	1" -22 CTS	3/4" -22 CTS	1/31	\$389.18

### Upper Sections

Meter Depth	Add or Deduct from Standard 8" Cast Iron Upper	List Price
05	5" - Cast Iron	-\$22.81
05	5" - Plastic	-\$32.96
08	8" - Cast Iron	N/C
08	8" - Plastic	-\$35.97
09	9" - 5" Cast Iron Upper and 4" Plastic Riser	\$26.26
09	9" - 5" Plastic Upper and 4" Plastic Riser	\$16.11
10	10" - Cast Iron	\$20.67
12	12" - 8" Cast Iron Upper and 4" Plastic Riser	\$69.75
12	12" - 8" Plastic Upper and 4" Plastic Riser	\$13.10
14	14" - 10" Cast Iron Upper 4" Plastic Riser	\$69.24

### Lid Options

Last digit in model number to get the following:

Option	Description	List Price
1	Nonlocking Cast Iron Lid	N/C
1 x802	Nonlocking Plastic Snap In Lid	N/C
1 x803	Nonlocking Plastic Snap In Lid with ERT Mounting Bracket	\$6.74
2	Locking Cast Iron Lid (standard)	N/C
2 x800	Locking Plastic Lid	N/C
2 x801	Locking Plastic Lid with ERT Mounting Bracket	\$6.74
3	Locking Cast Iron Lid with 2" Hole	\$4.56
3 x800	Locking Plastic Lid with 2" Hole	\$4.56
3 x801	Locking Plastic Lid with 2" Hole and ERT Mounting Bracket	\$11.30
3L3SH	Locking Cast Iron Lid with Offset 2" Hole	\$4.56
4	Locking Cast Iron Lid with 2" Hole with Removable Plug Assembled	\$12.40
5	Nonlocking Cast Iron Lid with 2" hole	\$4.56
6	Locking Cast Iron Lid with Flip Tab for reading Meter	\$13.47
6 x101	Nonlocking Cast Iron Lid with Flip Tab for Reading Meter	\$13.47
7	Nonlocking Cast Iron Lid with 2" Hole and Removable Plug Assembled	\$12.40

### 5/8" Inlet/Outlet Option Adders

Straight Ball Valves x Straight Connection "C"

Option	Size	List Price
Q - "Q" CTS (option for inlet only)	3/4"	N/C
T - "T" CTS	3/4"	N/C
V - "G" CTS (option for inlet only)	3/4"	N/C
2 - "22" CTS	3/4"	N/C

(List Price Adder Per End Connection)

## Repair Parts

Specific to 5/8" Yoke Box (For additional repair parts common to both 5/8" and 5/8"x3/4" Yoke Boxes see 5/8"x3/4" Repair Parts Section)

### Straight Ball Valves

Part No.	Model	Inlet Connection	Outlet Connection	Carton PCS/WT	List Price
	76100AQ 1"x5/8"x5/8"	1" Q CTS	5/8" Cradle	10/16	\$213.61

### Outlet Connections Only

Part No.	Model	Inlet Connection	Outlet Connection	Carton PCS/WT	List Price
	74753AB-22 5/8"x3/4"	5/8" Cradle	3/4" -22 CTS	10/10	\$53.32

### Cradle Gasket

Part No.	Model	Inlet Connection	Outlet Connection	Carton PCS/WT	List Price
	75-1G	5/8" Cradle	5/8" Cradle	25/1	\$0.52

### Expander with Gaskets Only

Part No.	Model	Inlet Connection	Outlet Connection	Carton PCS/WT	List Price
5175-912	775-1SA	5/8" Female Meter Thread	5/8" Nose Piece	25/23	\$39.19

### Expander Connection Wrench

Part No.	Model	List Price
4139-423	14-1EW Yoke Expander Wrench 5/8"	\$15.44



# 775 Series - Yoke Box

FOR 5/8" OR 5/8" X 3/4" METER

## Angle Ball Valve Inlet x "PV Base Tray" Straight Connection Outlet "AC" 5/8"x3/4" Meters

Part No.	Model	Inlet Connection	Outlet Connection	Carton PCS/WT	List Price
	775-208ACGG 332	3/4" "G" FNPT	3/4" "G" FNPT	1/35	\$377.70

## Angle Ball Valve Inlet x Straight Dual check Outlet "AD" 5/8"x3/4" Meters

Part No.	Model	Inlet Connection	Outlet Connection	Carton PCS/WT	List Price
	775-208ADGG 332	3/4" "G" FNPT	3/4" "G" FNPT	1/40	\$509.33

## Straight Ball Valve Inlet x "PV Base Tray" Straight Connection Outlet "BC" 5/8"x3/4" Meters

Part No.	Model	Inlet Connection	Outlet Connection	Carton PCS/WT	List Price
	775-208BCGG 332	3/4" "G" FNPT	3/4" "G" FNPT	1/36	\$368.40

## Angle Plug Valve Inlet x "PV Base Tray" Straight Connection Outlet "LC" 5/8"x3/4" Meters

Part No.	Model	Inlet Connection	Outlet Connection	Carton PCS/WT	List Price
5175-080	775-208LCGG 332	3/4" "G" FNPT	3/4" "G" FNPT	1/35	\$330.66

## Angle Plug Valve Inlet x Straight Dual check Outlet "LD" 5/8"x3/4" Meters

Part No.	Model	Inlet Connection	Outlet Connection	Carton PCS/WT	List Price
	775-208LDGG 332	3/4" "G" FNPT	3/4" "G" FNPT	1/39	\$426.13

## Angle Plug Valve Inlet x Angle Plug Valve "LL" 5/8"x3/4" Meters

Part No.	Model	Inlet Connection	Outlet Connection	Carton PCS/WT	List Price
	775-208LLGG 332	3/4" "G" FNPT	3/4" "G" FNPT	1/37	\$370.01

## Straight Plug Valve Inlet x "PV Base Tray" Straight Connection Outlet "PC" 5/8"x3/4" Meters

Part No.	Model	Inlet Connection	Outlet Connection	Carton PCS/WT	List Price
	775-208PCGG 332	3/4" "G" FNPT	3/4" "G" FNPT	1/37	\$339.02

## Straight Plug Valve Inlet x Straight Dual check Outlet "PD" 5/8"x3/4" Meters

Part No.	Model	Inlet Connection	Outlet Connection	Carton PCS/WT	List Price
	775-208PDGG 332	3/4" "G" FNPT	3/4" "G" FNPT	1/38	\$434.88

### Upper Sections

Meter Depth	Add or Deduct from Standard 8" Cast Iron Upper	List Price
05	5" - Cast Iron	-\$22.81
05	5" - Plastic	-\$32.96
08	8" - Cast Iron	N/C
08	8" - Plastic	-\$35.97
09	9" - 5" Cast Iron Upper and 4" Plastic Riser	\$26.26
09	9" - 5" Plastic Upper and 4" Plastic Riser	\$16.11
10	10" - Cast Iron	\$20.67
12	12" - 8" Cast Iron Upper and 4" Plastic Riser	\$69.75
12	12" - 8" Plastic Upper and 4" Plastic Riser	\$13.10
14	14" - 10" Cast Iron Upper 4" Plastic Riser	\$69.24

## 5/8"x3/4" Inlet Option Adders Angle Ball Valve "A"

Option	Size	List Price	Size	List Price
B - "-36" PEP-7	3/4"	\$18.04	1"	NA
C - Flare	3/4"	N/C	1"	NA
G - FNPT	3/4"	N/C	1"	NA
Q - "Q" CTS	3/4"	\$3.25	1"	\$36.18
T - "T" CTS	3/4"	\$3.25	1"	\$36.18
V - "G" CTS	3/4"	\$3.25	1"	\$36.18
W - "H" CTS	3/4"	\$7.68	1"	\$42.09
Y - "-3H" PEP-7	3/4"	\$23.96	1"	NA
Z - "-3Q" PEP-7	3/4"	\$18.04	1"	NA
2 - "-22" CTS	3/4"	\$3.25	1"	\$36.18
3 - "-33" PEP-7	3/4"	\$18.04	1"	NA
4 - "-44" PVC	3/4"	\$18.04	1"	NA
5 - "-55" IP	3/4"	\$18.04	1"	NA

## Straight Ball Valve "B"

Option	Size	List Price	Size	List Price
B - "-36" PEP-7	3/4"	\$55.78	1"	NA
C - Flare	3/4"	\$20.27	1"	NA
D - Double Purpose (Flare/FNPT) union	3/4"	\$20.64	1"	NA
G - FNPT	3/4"	N/C	1"	NA
H - Flare Less Flare Nut	3/4"	\$14.48	1"	NA
M - MNPT (union)	3/4"	\$20.64	1"	\$33.16
Q - "Q" CTS	3/4"	\$23.22	1"	\$55.78
T - "T" CTS	3/4"	\$23.22	1"	\$55.78
V - "G" CTS	3/4"	\$23.22	1"	\$55.78
W - "H" CTS	3/4"	\$27.64	1"	\$61.69
Y - "-3H" PEP-7	3/4"	\$61.69	1"	NA
Z - "-3Q" PEP-7	3/4"	\$55.78	1"	NA
2 - "-22" CTS	3/4"	\$23.22	1"	\$55.78
3 - "-33" PEP-7	3/4"	\$55.78	1"	NA
4 - "-44" PVC	3/4"	\$55.78	1"	NA
5 - "-55" IP	3/4"	\$55.78	1"	NA

## Angle Plug Valves "L"

Option	Size	List Price	Size	List Price
B - "-36" PEP-7	3/4"	\$21.50	1"	NA
C - FLARE	3/4"	N/C	1"	NA
G - FNPT	3/4"	N/C	1"	NA
H - Flare Less Flare Nut	3/4"	-\$5.79	1"	NA
Q - "Q" CTS	3/4"	\$3.25	1"	\$21.50
T - "T" CTS	3/4"	\$3.25	1"	\$21.50
V - "G" CTS	3/4"	\$3.25	1"	\$21.50
W - "H" CTS	3/4"	\$7.68	1"	\$27.42
Y - "-3H" PEP-7	3/4"	\$21.50	1"	NA
Z - "-3Q" PEP-7	3/4"	\$21.50	1"	NA
2 - "-22" CTS	3/4"	\$3.25	1"	\$21.50
3 - "-33" PEP-7	3/4"	\$21.50	1"	NA
4 - "-44" PVC	3/4"	\$21.50	1"	NA
5 - "-55" IP	3/4"	\$21.50	1"	NA

## Straight Plug Valves "P"

Option	Size	List Price	Size	List Price
B - "-36" PEP-7	3/4"	\$34.37	1"	NA
C - Flare	3/4"	\$7.19	1"	NA
D - Double Purpose (Flare/FNPT) union	3/4"	\$7.45	1"	NA
G - FNPT	3/4"	N/C	1"	NA
H - Flare Less Flare Nut	3/4"	\$1.40	1"	NA
M - MNPT (union)	3/4"	\$7.19	1"	NA
Q - "Q" CTS	3/4"	\$10.89	1"	\$34.37
T - "T" CTS	3/4"	\$10.89	1"	\$34.37
V - "G" CTS	3/4"	\$10.89	1"	\$34.37
W - "H" CTS	3/4"	\$40.29	1"	NA
Y - "-3H" PEP-7	3/4"	\$15.31	1"	\$40.29
Z - "-3Q" PEP-7	3/4"	\$34.37	1"	NA
2 - "-22" CTS	3/4"	\$10.89	1"	\$34.37
3 - "-33" PEP-7	3/4"	\$34.37	1"	NA
4 - "-44" PVC	3/4"	\$34.37	1"	NA
5 - "-55" IP	3/4"	\$34.37	1"	NA



## 775 Series - Yoke Box

FOR 5/8" OR 5/8" X 3/4" METER

5/8"x3/4" Outlet Option Adders Cont'  
Straight Connection "C"

Option	Size	List Price	Size	List Price
B - "-3G" PEP-7	3/4"	\$34.33	1"	NA
G - FNPT	3/4"	N/C	1"	NA
Q - "Q" CTS	3/4"	\$20.97	1"	\$34.33
T - "T" CTS	3/4"	\$20.97	1"	\$34.33
V - "G" CTS	3/4"	\$20.97	1"	\$34.33
W - "H" CTS	3/4"	\$25.38	1"	\$40.24
Y - "-3H" PEP-7	3/4"	\$40.24	1"	NA
Z - "-3Q" PEP-7	3/4"	\$34.33	1"	NA
2 - "-22" CTS	3/4"	\$20.97	1"	\$34.33
3 - "-33" PEP-7	3/4"	\$34.33	1"	NA
4 - "-44" PVC	3/4"	\$34.33	1"	NA
5 - "-55" IP	3/4"	\$34.33	1"	NA

Straight Dual Check "D"

Option	Size	List Price
G - FNPT	3/4"	N/C
Q - "Q" CTS	3/4"	\$16.54
T - "T" CTS	3/4"	\$16.54
V - "G" CTS	3/4"	\$16.54
W - "H" CTS	3/4"	\$20.98
2 - "-22" CTS	3/4"	\$16.54

## Repair Parts

4" Plastic Riser

Part No.	Model	Carton PCS/WT	List Price
4175-221	75PEX04 (With Eight Screws)	5/8	\$49.07

Bolt Kit For Attaching Upper To Base

Part No.	Model	Carton PCS/WT	List Price
4175-403	75-BK (Four Bolts & Nuts)	1/1	\$11.17

Upper Section Parts

Model	Upper Section Parts	List Price
75-US05	5" - Cast Iron	\$51.24
75PUS05	5" - Plastic	\$28.22
75-US08	8" - Cast Iron	\$67.13
75PUS08	8" - Plastic	\$31.16
75US10	10"	\$82.50
75PEX04	4" Plastic Riser	\$49.07

## Lid Only

Part No.	Option	Description	List Price
4175-200	75L1	Nonlocking Cast Iron Lid	\$26.73
4175-367	75L1 x802	Nonlocking Plastic Snap In Lid	\$26.73
4175-331	75L1 x803	Nonlocking Plastic Snap In Lid with ERT Mounting Bracket	\$33.48
4175-105	75L2	Locking Cast Iron Lid (standard)	\$26.73
4175-290	75L2 x800	Locking Plastic Lid	\$26.73
4175-320	75L2 x801	Locking Plastic Lid with ERT Mounting Bracket	\$33.48
4175-127	75L3	Locking Cast Iron Lid with 2" Hole	\$31.29
4175-321	75L3 x800	Locking Plastic Lid with 2" Hole	\$31.29
4175-322	75L3 x801	Locking Plastic Lid with 2" Hole and ERT Mounting Bracket	\$38.04
4175-164	75L3SH	Locking Cast Iron Lid with Offset 2" Hole	\$48.37
4175-158	75L6	Locking Cast Iron Lid with Flip Tab for reading Meter	\$40.19
4176-148	75L6 x101	Nonlocking Cast Iron Lid with Flip Tab for Reading Meter	\$40.19

Angle Plug Valves "L"

Option	Inlet			
	Size	List Price	Size	List Price
B - "-3G" PEP-7	3/4"	\$21.50	1"	NA
C - FLARE	3/4"	N/C	1"	NA
G - FNPT	3/4"	N/C	1"	NA
H - Flare Less Flare Nut	3/4"	-\$5.79	1"	NA
Q - "Q" CTS	3/4"	\$3.25	1"	\$21.50
T - "T" CTS	3/4"	\$3.25	1"	\$21.50
V - "G" CTS	3/4"	\$3.25	1"	\$21.50
W - "H" CTS	3/4"	\$7.68	1"	\$27.42
Y - "-3H" PEP-7	3/4"	\$21.50	1"	NA
Z - "-3Q" PEP-7	3/4"	\$21.50	1"	NA
2 - "-22" CTS	3/4"	\$3.25	1"	\$21.50
3 - "-33" PEP-7	3/4"	\$21.50	1"	NA
4 - "-44" PVC	3/4"	\$21.50	1"	NA
5 - "-55" IP	3/4"	\$21.50	1"	NA

Lid Options

Last digit in model number to get the following:

Option	Description	List Price
1	Nonlocking Cast Iron Lid	N/C
1 x802	Nonlocking Plastic Snap In Lid	N/C
1 x803	Nonlocking Plastic Snap In Lid with ERT Mounting Bracket	\$6.74
2	Locking Cast Iron Lid (standard)	N/C
2 x800	Locking Plastic Lid	N/C
2 x801	Locking Plastic Lid with ERT Mounting Bracket	\$6.74
3	Locking Cast Iron Lid with 2" Hole	\$4.56
3 x800	Locking Plastic Lid with 2" Hole	\$4.56
3 x801	Locking Plastic Lid with 2" Hole and ERT Mounting Bracket	\$11.30
3L3SH	Locking Cast Iron Lid with Offset 2" Hole	\$4.56
4	Locking Cast Iron Lid with 2" Hole with Removable Plug Assembled	\$12.40
5	Nonlocking Cast Iron Lid with 2" hole	\$4.56
6	Locking Cast Iron Lid with Flip Tab for reading Meter	\$13.47
6 x101	Nonlocking Cast Iron Lid with Flip Tab for Reading Meter	\$13.47
7	Nonlocking Cast Iron Lid with 2" Hole and Removable Plug Assembled	\$12.40

Key - Used For All Yoke & Long Boxes

Part No.	Model	Carton PCS/WT	List Price
4175-165	75KEY	10/3	\$17.44

ERT Under Lid Mount For Yoke Long Box Plastic Lids

Part No.	Model	Carton PCS/WT	List Price
4175-323	75-ERT	20/2	\$7.96

Screws For Plastic Riser

Part No.	Model	Carton PCS/WT	List Price
4175-135	75PEXS	40/1	\$0.76

Grade Adjuster (Net 2" Rise)

Part No.	Model	Carton PCS/WT	List Price
4175-238	75GA 2	1/9	\$58.56



Meter Boxes



# 775 Series - Yoke Box

FOR 5/8" OR 5/8" X 3/4" METER

## Repair Parts

### Angle Ball Valves (With Self Tapping Screws & Gasket For Cradle)

Part No.	Model	Inlet Connection	Outlet Connection	Carton PCS/WT	List Price
5175-010	74641BA 3/4X5/8X3/4	3/4" FLARE	5/8"X3/4" Cradle	10/19	\$201.67
	74643BA 3/4X5/8X3/4	3/4" FNPT	5/8"X3/4" Cradle	10/17	\$201.67
5176-180	74641BAG 3/4X5/8X3/4	3/4" "G" CTS	5/8"X3/4" Cradle	10/16	\$204.93
	74641BAG 1X5/8X3/4	1" "G" CTS	5/8"X3/4" Cradle	10/20	\$237.84
	74641BAH 3/4X5/8X3/4	3/4" "H" CTS	5/8"X3/4" Cradle	10/16	\$209.34
	74641BAH 1X5/8X3/4	1" "H" CTS	5/8"X3/4" Cradle	10/20	\$243.76
5175-030	74641BAQ 3/4X5/8X3/4	3/4" "Q" CTS	5/8"X3/4" Cradle	10/16	\$204.93
5175-031	74641BAQ 1X5/8X3/4	1" "Q" CTS	5/8"X3/4" Cradle	10/21	\$237.84
5175-012	74641BAT 3/4X5/8X3/4	3/4" "T" CTS	5/8"X3/4" Cradle	10/17	\$204.93
5175-014	74641BAT 1X5/8X3/4	1" "T" CTS	5/8"X3/4" Cradle	10/20	\$237.84
5175-011	74641BA-22 3/4X5/8X3/4	3/4" "-22" CTS	5/8"X3/4" Cradle	10/18	\$204.93
5175-013	74641BA-22 1X5/8X3/4	1" "-22" CTS	5/8"X3/4" Cradle	10/20	\$237.84
5175-468	74641BA-3G 3/4X5/8X3/4	3/4" "-3G" PEP-7	5/8"X3/4" Cradle	10/15	\$219.72
	74641BA-3H 3/4X5/8X3/4	3/4" "-3H" PEP-7	5/8"X3/4" Cradle	10/15	\$225.64
	74641BA-3Q 3/4X5/8X3/4	3/4" "-3Q" PEP-7	5/8"X3/4" Cradle	10/15	\$219.72
5175-028	74641BA-33 3/4X5/8X3/4	3/4" "-33" PEP-7	5/8"X3/4" Cradle	10/15	\$219.72
	74641BA-44 3/4X5/8X3/4	3/4" "-44" PVC	5/8"X3/4" Cradle	10/15	\$219.72
	74641BA-55 3/4X5/8X3/4	3/4" "-55" IP	5/8"X3/4" Cradle	10/15	\$219.72

### Angle Plug Valves (With Self Tapping Screws & Gasket For Cradle)

Part No.	Model	Inlet Connection	Outlet Connection	Carton PCS/WT	List Price
	74601A 3/4	3/4" Flare	5/8"X3/4" Cradle	10/16	\$101.28
5175-019	76103A 3/4	3/4" FNPT	5/8"X3/4" Cradle	10/14	\$94.52
	74601AG 3/4	3/4" "G" CTS	5/8"X3/4" Cradle	10/13	\$104.53
5175-359	74601AG 1X3/4	1" "G" CTS	5/8"X3/4" Cradle	10/25	\$122.79
	74601AH 3/4	3/4" "H" CTS	5/8"X3/4" Cradle	10/13	\$108.96
	74601AH 1X3/4	1" "H" CTS	5/8"X3/4" Cradle	10/25	\$128.70
5175-032	74601AQ 3/4	3/4" "Q" CTS	5/8"X3/4" Cradle	10/14	\$104.53
5175-020	74601AQ 1X3/4	1" "Q" CTS	5/8"X3/4" Cradle	10/19	\$122.79
5175-018	74601AT 3/4	3/4" "T" CTS	5/8"X3/4" Cradle	10/16	\$104.53
5175-033	74601AT 1X3/4	1" "T" CTS	5/8"X3/4" Cradle	10/19	\$122.79
5175-017	74601A-22 3/4	3/4" "-22" CTS	5/8"X3/4" Cradle	10/13	\$104.53
5175-034	74601A-22 1X3/4	1" "-22" CTS	5/8"X3/4" Cradle	10/15	\$122.79
	74601A-3H 3/4	3/4" "-3H" PEP-7	5/8"X3/4" Cradle	10/16	\$128.70
	74601A-3G 3/4	3/4" "-3G" PEP-7	5/8"X3/4" Cradle	10/16	\$122.79
	74601A-3Q 3/4	3/4" "-3Q" PEP-7	5/8"X3/4" Cradle	10/16	\$122.79
5175-021	74601A-33 3/4	3/4" "-33" PEP-7	5/8"X3/4" Cradle	10/16	\$122.79
	74601A-44 3/4	3/4" "-44" PVC	5/8"X3/4" Cradle	10/16	\$122.79
	74601A-55 3/4	3/4" "-55" IP	5/8"X3/4" Cradle	10/16	\$122.79

### Straight Ball Valves (With Self Tapping Screws & Gasket For Cradle)

Part No.	Model	Inlet Connection	Outlet Connection	Carton PCS/WT	List Price
5175-004	76101ADP 3/4X5/8X3/4	3/4" Double Purpose Union (FNPT/Flare)	5/8"X3/4" Cradle	10/15	\$178.46
5175-000	76100A 3/4X5/8X3/4	3/4" Flare	5/8"X3/4" Cradle	10/15	\$178.09
5175-003	76101A 3/4X5/8X3/4	3/4" FNPT	5/8"X3/4" Cradle	10/10	\$157.82
	76100AG 3/4X5/8X3/4	3/4" "G" CTS	5/8"X3/4" Cradle	10/14	\$181.04
	76100AG 1X5/8X3/4	1" "G" CTS	5/8"X3/4" Cradle	10/16	\$213.61
	76100AH 3/4X5/8X3/4	3/4" "H" CTS	5/8"X3/4" Cradle	10/14	\$185.46
	76100AH 1X5/8X3/4	1" "H" CTS	5/8"X3/4" Cradle	10/16	\$219.51
	76107AM 3/4X5/8X3/4	3/4" MNPT Union	5/8"X3/4" Cradle	10/12	\$178.46
	76107AM 1X5/8X3/4	1" MNPT Union	5/8"X3/4" Cradle	10/14	\$190.98
5175-029	76100AQ 3/4X5/8X3/4	3/4" "Q" CTS	5/8"X3/4" Cradle	10/14	\$181.04
	76100AQ 1X5/8X3/4	1" "Q" CTS	5/8"X3/4" Cradle	10/16	\$213.61
5175-001	76100AT 3/4X5/8X3/4	3/4" "T" CTS	5/8"X3/4" Cradle	10/14	\$181.04
	76100AT 1X5/8X3/4	1" "T" CTS	5/8"X3/4" Cradle	10/16	\$213.61
5175-002	76100A-22 3/4X5/8X3/4	3/4" "-22" CTS	5/8"X3/4" Cradle	10/14	\$181.04
	76100A-22 1X5/8X3/4	1" "-22" CTS	5/8"X3/4" Cradle	10/16	\$213.61
	76100A-3G 3/4X5/8X3/4	3/4" "-3G" PEP-7	5/8"X3/4" Cradle	10/16	\$213.61
	76100A-3H 3/4X5/8X3/4	3/4" "-3H" PEP-7	5/8"X3/4" Cradle	10/16	\$219.51
	76100A-3Q 3/4X5/8X3/4	3/4" "-3Q" PEP-7	5/8"X3/4" Cradle	10/16	\$213.61
	76100A-33 3/4X5/8X3/4	3/4" "-33" PEP-7	5/8"X3/4" Cradle	10/16	\$213.61
	76100A-44 3/4X5/8X3/4	3/4" "-44" PVC	5/8"X3/4" Cradle	10/16	\$213.61
	76100A-55 3/4X5/8X3/4	3/4" "-55" IP	5/8"X3/4" Cradle	10/16	\$213.61

### Straight Plug Valves (With Self Tapping Screws & Gasket For Cradle)

Part No.	Model	Inlet Connection	Outlet Connection	Carton PCS/WT	List Price
5175-023	73060ADP 3/4	3/4" Double Purpose Union (FNPT/Flare)	5/8"X3/4" Cradle	10/21	\$123.14
5175-022	73060A 3/4	3/4" Flare	5/8"X3/4" Cradle	10/20	\$122.88
	73061A 3/4	3/4" FNPT	5/8"X3/4" Cradle	10/20	\$115.70
5175-237	73060AG 3/4	3/4" "G" CTS	5/8"X3/4" Cradle	10/16	\$126.57
	73060AG 1X3/4	1" "G" CTS	5/8"X3/4" Cradle	10/20	\$150.07
	73060AH 3/4	3/4" "H" CTS	5/8"X3/4" Cradle	10/16	\$131.01
	73060AH 1X3/4	1" "H" CTS	5/8"X3/4" Cradle	10/20	\$155.98
5176-303	73060AP 3/4	3/4" MNPT	5/8"X3/4" Cradle	10/21	\$122.88
5175-026	73060AQ 3/4	3/4" "Q" CTS	5/8"X3/4" Cradle	10/19	\$126.57
5175-036	73060AQ 1X3/4	1" "Q" CTS	5/8"X3/4" Cradle	10/22	\$150.07
5175-025	73060AT 3/4	3/4" "T" CTS	5/8"X3/4" Cradle	10/30	\$126.57
5175-037	73060AT 1X3/4	1" "T" CTS	5/8"X3/4" Cradle	10/20	\$150.07
5175-024	73060A-22 3/4	3/4" "-22" CTS	5/8"X3/4" Cradle	10/20	\$126.57
5175-038	73060A-22 1X3/4	1" "-22" CTS	5/8"X3/4" Cradle	10/20	\$150.07
	73060A-3G 3/4	3/4" "-3G" PEP-7	5/8"X3/4" Cradle	10/21	\$150.07
	73060A-3H 3/4	3/4" "-3H" PEP-7	5/8"X3/4" Cradle	10/21	\$155.98
	73060A-3Q 3/4	3/4" "-3Q" PEP-7	5/8"X3/4" Cradle	10/21	\$150.07
5175-035	73060A-33 3/4	3/4" "-33" PEP-7	5/8"X3/4" Cradle	10/21	\$150.07
	73060A-44 3/4	3/4" "-44" PVC	5/8"X3/4" Cradle	10/21	\$150.07
	73060A-55 3/4	3/4" "-55" IP	5/8"X3/4" Cradle	10/21	\$150.07



## 775 Series - Yoke Box

FOR 5/8" OR 5/8" X 3/4" METER

### Repair Parts

#### Inline Dual Check Valves (With Self Tapping Screws & Gasket For Cradle)

Part No.	Model	Inlet Connection	Outlet Connection	Carton PCS/WT	List Price
5175-005	711-3WE 33	5/8"x3/4" Cradle	3/4" FNPT	16/23	\$136.66
5175-008	711-3WV 33	5/8"x3/4" Cradle	3/4" "G" CTS	16/28	\$153.20
	711-3WQ 33	5/8"x3/4" Cradle	3/4" "Q" CTS	16/28	\$153.20
5175-006	711-3WT 33	5/8"x3/4" Cradle	3/4" "T" CTS	16/28	\$153.20
5175-007	711-3WZ 33	5/8"x3/4" Cradle	3/4" "-22" CTS	16/27	\$153.20

#### Outlet Connection (With Self Tapping Screws & Gasket For Cradle)

5/8"x3/4" Meter

Part No.	Model	Inlet Connection	Outlet Connection	Carton PCS/WT	List Price
5175-183	74754AP 3/4	5/8"x3/4" Cradle	3/4" FNPT	10/6	\$32.37
	74754AP 1X3/4	5/8"x3/4" Cradle	1" FNPT	10/7	\$66.68
	74753APG 3/4	5/8"x3/4" Cradle	3/4" "G" CTS	10/12	\$53.32
	74753APG 1X3/4	5/8"x3/4" Cradle	1" "G" CTS	10/8	\$66.68
	74753APH 3/4	5/8"x3/4" Cradle	3/4" "H" CTS	10/12	\$57.76
	74753APH 1X3/4	5/8"x3/4" Cradle	1" "H" CTS	10/8	\$72.61
	74753APQ 3/4	5/8"x3/4" Cradle	3/4" "Q" CTS	10/12	\$53.32
	74753APQ 1X3/4	5/8"x3/4" Cradle	1" "Q" CTS	10/8	\$66.68
	74753APT 3/4	5/8"x3/4" Cradle	3/4" "T" CTS	10/12	\$53.32
	74753APT 1X3/4	5/8"x3/4" Cradle	1" "T" CTS	10/8	\$66.68
5176-191	74753AP-22 3/4	5/8"x3/4" Cradle	3/4" "-22" CTS	10/12	\$53.32
5176-100	74753AP-22 1X3/4	5/8"x3/4" Cradle	1" "-22" CTS	10/8	\$66.68
	74753AP-3G 3/4	5/8"x3/4" Cradle	3/4" "-3G" PEP-7	10/15	\$66.68
	74753AP-3H 3/4	5/8"x3/4" Cradle	3/4" "-3H" PEP-7	10/15	\$72.61
	74753AP-3Q 3/4	5/8"x3/4" Cradle	3/4" "-3Q" PEP-7	10/15	\$66.68
	74753AP-33 3/4	5/8"x3/4" Cradle	3/4" "-33" PEP-7	10/15	\$66.68
	74753AP-44 3/4	5/8"x3/4" Cradle	3/4" "-44" PVC	10/15	\$66.68
	74753AP-55 3/4	5/8"x3/4" Cradle	3/4" "-55" IP	10/15	\$66.68

#### Plug/Ball Valve x Straight Connection Base Tray

Part No.	Model	Inlet Connection	Outlet Connection	Carton PCS/WT	List Price
	75-2BTAC	"A"- Angle Ball Valve & "B"- Straight Ball Valve	"C" "PV Base Tray" Straight Connection	1/9	\$60.51
	75-2BTAD	"A"- Angle Ball Valve & "B"- Straight Ball Valve	"D"- Straight Dual Check	1/9	\$67.74
4176-186	75-2BTLC	"L"- Angle Plug Valve & "P"- Straight Plug Valve	"C" "PV Base Tray" Straight Connection	1/9	\$44.56
	75-2BTLD	"L"- Angle Plug Valve & "P"- Straight Plug Valve	"D"- Straight Dual Check	1/9	\$60.51

#### Expander Connection Wrench

Part No.	Model	List Price
4139-424	14-2EW Yoke Expander Wrench 3/4"	\$21.00

#### Cradle Gasket

Part No.	Model	Inlet Connection	Outlet Connection	Carton PCS/WT	List Price
4175-119	75-2G	5/8"x3/4" Cradle	5/8"x3/4" Cradle	25/1	\$0.52

#### Lock Plate

Part No.	Model	Carton PCS/WT	List Price
4175-196	75LP	10/1	\$8.68
4175-197	75LP X001 (No Markings)	10/1	\$5.96

#### Expander with Gaskets Only

5/8"x3/4" Meter

Part No.	Model	Inlet Connection	Outlet Connection	Carton PCS/WT	List Price
5175-639	775-2SA	5/8"x3/4" Female Meter Thread	5/8"x3/4" Nose Piece	25/23	\$44.98

#### 2" Plastic Plug & Nut

Part No.	Model	List Price
4173-142	74MPPL	\$23.13

#### 2" Cast Iron Plug With Cotter Pins

Part No.	Model	List Price
4174-059	74MCIPL	\$8.51



# 775 Series - Yoke Box

## FOR 1" METER

Straight Ball Valves are standard on the 1" yokebox inlet, 10" bury is standard. Cast Iron base keeps out dirt, mud, and pests, resulting in a cleaner meter. Holes in the base provide drainage.

Cast iron base, upper section, and lid are black dip coated to prevent rust. Expansion connection and gaskets are also included with package.



### A standard fully assembled yokebox includes:

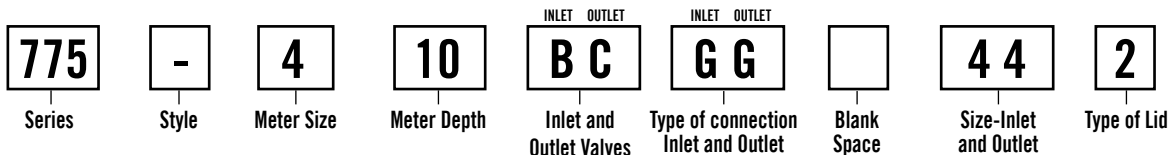
- Cast Iron Housing Construction
- Locking Cast Iron Lid
- 1" Ball Style Inlet Valve with FNPT
- Straight Outlet with 1" FNPT

### Straight Ball Valve

Inlet x Straight Outlet

Part No.	Model	Inlet Connection	Outlet Connection	Carton PCS/WT	Price
5175-281	775-410BCGG 442	1" FNPT	1" FNPT	1/80	\$732.87

To order 1" Yoke Box - Model No. **775-410BCGG 442** means:



### 1" Inlet Options Adder

Option	Size	List Price
G - FNPT	1"	N/C

### 1" Outlet Options Adder

Option	Size	List Price
G - FNPT	1"	N/C

### Lid Options

Last digit in model number to get the following:

Option	Description	List Price
1	Nonlocking Cast Iron Lid with Lifter	N/C
1 x200	Nonlocking Cast Iron Lid without Lifter	N/C
1 x203	Nonlocking Cast Iron Lid without Lifter for Reclaimed Water - Painted Purple	N/C
2	Locking Cast Iron Lid (standard)	N/C
2 x807	Locking Plastic Lid	N/C
3	Locking Cast Iron Lid with 2" Center Hole	\$4.56
5	Nonlocking Cast Iron Lid with 2" Center Hole with Lifter	\$4.56
5 x200	Nonlocking Cast Iron Lid with 2" Offset Hole	\$4.56
5 x202	Nonlocking Cast Iron Lid with 2" Center Hole with Lifter for Reclaimed Water	\$4.56
5 x204	Nonlocking Cast Iron Lid with 2" Offset Hole without Lifter for Reclaimed Water	\$4.56

### Key

Part No.	Model	Carton PCS/WT	List Price
4175-165	75KEY	10/3	\$17.44

### Upper Section

Part No.	Model	Carton PCS/WT	List Price
4175-420	75-4US10	1/38	\$135.02

### Straight Ball Valve Inlet x Straight Connection Outlet Base Tray

Part No.	Model	Carton PCS/WT	List Price
	75-4BTBC	1/24	\$129.77

### Cradle Gasket

Part No.	Model No.	Size	Carton PCS/WT	Price
	75-4G	1"	25/1	\$0.69

### Complete Brass Hardware Package

Part No.	Model	Inlet Connection	Outlet Connection	Carton PCS/WT	List Price
5177-034	777F4--BCGG 44	FNPT	FNPT	1/7	\$437.99

### Straight Ball Valve

Part No.	Model	Inlet Connection	Outlet Connection	Carton PCS/WT	List Price
5177-018	76101X 1	FNPT	1" Cradle	10/20	\$222.06

### Outlet Connection With Expander

Part No.	Model	Inlet Connection	Outlet Connection	Carton PCS/WT	List Price
5175-280	74754AB 1	1" Cradle	FNPT	10/34	\$193.88

### Bolt Kit For Attaching Upper To Base

Part No.	Model	Carton PCS/WT	List Price
	75-4BK (Four Bolts & Nuts)	1/38	\$11.17

### Lid Only

Part No.	Option	Description	List Price
4175-314	75L41	Lockless	\$46.26
4175-349	75L41 x200	Nonlock, No Lifter	\$46.26
4175-002	75L41 x203	Nonlock, No Lifter - Purple	\$46.26
4175-315	75L42	Locking	\$46.26
4175-316	75L43	Locking with Hole	\$50.83
4175-317	75L45	Lockless with Hole	\$50.83
4175-350	75L45 x200	Lockless with Hole	\$50.83
4176-001	75L45 x202	RW Nonlock, 2" Center Hole - Purple	\$50.83
4176-003	75L45 x204	RW Nonlock, No Lifter & 2" Offset Hole - Purple	\$50.83
4176-264	75L42 x800	Standard Key	\$46.26



## 776 Series - Long Yoke Box

### 5/8" X 3/4" METER

Straight or angle valves are available for the longbox inlet and outlet, 8" bury is standard. Angle valves are 60° from horizontal. Straight connection outlets are also available.

Cast iron base keeps out dirt, mud, and pests, resulting in a cleaner meter. Holes in the base provide drainage. Cast iron base, upper section, and lid are black dip coated to prevent rust. Expansion connection, gaskets, and ASSE 1024 inline dual check valve are included with package.

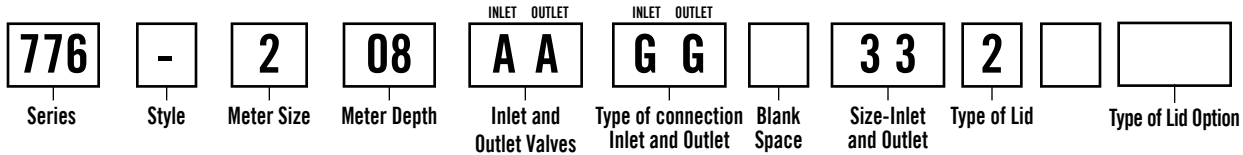


### A standard fully assembled longbox includes:

- Cast Iron Base
- Upper Section (Cast Iron or Plastic)
- Cast Iron Locking lid standard
- Inlet and Outlet Connection
- Shallow center line of meter 8" below grade
- 5/8" two 10J12 bushing

**NOTE:** All combinations may not be available with all models. Contact factory for further information.

To order Yoke Boxes - Model No. **776-208AAGG 332** means:



### Angle Ball Valve Inlet x Angle Ball Valve Outlet "AA"

Part No.	Model	Inlet Connection	Outlet Connection	Carton PCS/WT	List Price
	776-208AAGG 332	3/4" "G" FNPT	3/4" "G" FNPT	1/56	\$710.30

### Angle Ball Valve Inlet x Straight connection Outlet "AC"

Part No.	Model	Inlet Connection	Outlet Connection	Carton PCS/WT	List Price
	776-208ACGG 332	3/4" "G" FNPT	3/4" "G" FNPT	1/55	\$620.56

### Angle Ball Valve Inlet x Straight Ball Valve Outlet "AB"

Part No.	Model	Inlet Connection	Outlet Connection	Carton PCS/WT	List Price
	776-208ABGG 332	3/4" "G" FNPT	3/4" "G" FNPT	1/56	\$735.21

### Straight Ball Valve x Straight Ball Valve "BB"

Part No.	Model	Inlet Connection	Outlet Connection	Carton PCS/WT	List Price
	776-208BBGG 332	3/4" "G" FNPT	3/4" "G" FNPT	1/54	\$652.60

### Straight Ball Valve x Straight Connection "BC"

Part No.	Model	Inlet Connection	Outlet Connection	Carton PCS/WT	List Price
	776-208BCGG 332	3/4" "G" FNPT	3/4" "G" FNPT	1/54	\$560.06

### 5/8"x3/4" Angle/Straight Ball Valve & Straight Connection

Angle Ball Valve Inlet "A"

Option	Size	List Price	Size	List Price
B - "-3G" PEP-7	3/4"	\$18.04	1"	NA
C - Flare	3/4"	N/C	1"	NA
G - FNPT	3/4"	N/C	1"	NA
Q - "Q" CTS	3/4"	\$3.25	1"	\$36.18
T - "T" CTS	3/4"	\$3.25	1"	\$36.18
V - "G" CTS	3/4"	\$3.25	1"	\$36.18
W - "H" CTS	3/4"	\$7.68	1"	\$42.09
Y - "-3H" PEP-7	3/4"	\$23.96	1"	NA
Z - "-3Q" PEP-7	3/4"	\$18.04	1"	NA
2 - "-22" CTS	3/4"	\$3.25	1"	\$36.18
3 - "-33" PEP-7	3/4"	\$18.04	1"	NA
4 - "-44" PVC	3/4"	\$18.04	1"	NA
5 - "-55" IP	3/4"	\$18.04	1"	NA

### Plastic Upper Section or Riser Options

Option	Price Adder/ (Deduct)
P - 8" Plastic Upper, Replace "-" Dash in Model Number with "P" i.e. 776-208AB2G 332 becomes 776P208AB2G 332	-\$69.97
12 - 12" = Cast Iron Upper - Contact Factory	\$81.44



# 776 Series - Long Yoke Box

5/8" X 3/4" METER

## 5/8"x3/4" Angle/Straight Ball Valve & Straight Connection

Straight Ball Valve Inlet/Outlet "B"

Option	Size	List Price	Size	List Price
B - "-3G" PEP-7	3/4"	\$55.78	1"	NA
C - Flare	3/4"	\$20.27	1"	NA
D - Double Purpose (Flare/FNPT) union	3/4"	\$20.64	1"	NA
G - FNPT	3/4"	N/C	1"	NA
H - Flare Less Flare Nut	3/4"	\$14.48	1"	NA
M - MNPT (union)	3/4"	\$20.64	1"	\$33.16
Q - "Q" CTS	3/4"	\$23.22	1"	\$55.78
T - "T" CTS	3/4"	\$23.22	1"	\$55.78
V - "G" CTS	3/4"	\$23.22	1"	\$55.78
W - "H" CTS	3/4"	\$27.64	1"	\$61.69
Y - "-3H" PEP-7	3/4"	\$61.69	1"	NA
Z - "-3Q" PEP-7	3/4"	\$55.78	1"	NA
2 - "-22" CTS	3/4"	\$23.22	1"	\$55.78
3 - "-33" PEP-7	3/4"	\$55.78	1"	NA
4 - "-44" PVC	3/4"	\$55.78	1"	NA
5 - "-55" IP	3/4"	\$55.78	1"	NA

Straight Connection Outlet "C" For "BV Base Tray"

Option	Size	List Price	Size	List Price
G - FNPT	3/4"	N/C	1"	NA
Q - "Q" CTS	3/4"	\$22.47	1"	NA
T - "T" CTS	3/4"	\$22.47	1"	NA
V - "G" CTS	3/4"	\$22.47	1"	NA
W - "H" CTS	3/4"	\$26.77	1"	NA
2 - "-22" CTS	3/4"	\$22.47	1"	NA

### Lid Options

Last digit in model number to get the following:

Option	Description	List Price
1	Nonlocking Cast Iron Lid	N/C
2	Locking Cast Iron Lid (standard)	N/C
2 x800	Locking Plastic Lid	N/C
2 x801	Locking Plastic Lid with ERT Mounting Bracket	\$6.74
3	Locking Cast Iron Lid with 2" Hole	\$4.56
3 x207	Locking Cast Iron Longbox Lid with Recessed Pad & 2" Oblong Hole	\$13.00
3 x800	Locking Plastic Lid with 2" Hole	\$4.56
3 x801	Locking Plastic Lid with 2" Hole and ERT Mounting Bracket	\$11.30
4	Locking Cast Iron Lid with 2" Hole with Removable Plug Assembled	\$13.12
5	Nonlocking Cast Iron Lid with 2" hole	\$4.56
7	Nonlocking Cast Iron Lid with 2" Hole and Removable Plug Assembled	\$13.12

### Yoke Long Box With Idler Inplace Of Dual Check Valve

Part No.	Model	List Price
	Replace "-." Dash With "K" i.e. 776208AB2G 332 becomes 776K208AB2G 332	-\$33.16

### Angle Plug Valve x Straight Connection "LC"

Part No.	Model	Inlet Connection	Outlet Connection	Carton PCS/WT	List Price
	776-208LCGG 332	3/4" "G" FNPT	3/4" "G" FNPT	1/54	\$542.66

### Angle Plug Valve x Angle Plug Valve "LL"

Part No.	Model	Inlet Connection	Outlet Connection	Carton PCS/WT	List Price
	776-208LLGG 332	3/4" "G" FNPT	3/4" "G" FNPT	1/54	\$604.78

### Angle Plug Valve x Straight Plug Valve "LP"

Part No.	Model	Inlet Connection	Outlet Connection	Carton PCS/WT	List Price
	776-208LPGG 332	3/4" "G" FNPT	3/4" "G" FNPT	1/54	\$629.55

### Straight Plug Valve x Straight Connection "PC"

Part No.	Model	Inlet Connection	Outlet Connection	Carton PCS/WT	List Price
	776-208PCGG 332	3/4" "G" FNPT	3/4" "G" FNPT	1/53	\$552.16

### Straight Plug Valve x Straight Plug Valve "PP"

Part No.	Model	Inlet Connection	Outlet Connection	Carton PCS/WT	List Price
	776-208PPGG 332	3/4" "G" FNPT	3/4" "G" FNPT	1/54	\$642.88

### Plastic Upper Section or Riser Options

Option	Price Adder/Deduct
P - 8" Plastic Upper, Replace "-" Dash in Model Number with "P" i.e. 776-208AB2G 332 becomes 776P208AB2G 332	-\$69.97
12 - 12" = 8" Cast Iron Upper and 4" Cast Iron Riser - Contact Factory	\$82.32
12 - 12" = 8" Cast Iron Upper and 4" Plastic Riser, Replace "08" in Model number with "12" i.e. 776-208AB2G 332 becomes 776-212AB2G 332	\$42.75
12 - 12" = 8" Plastic Upper and 4" Plastic Riser - Contact Factory	-\$27.22
12 - 12" = Cast Iron Upper - Contact Factory	\$81.44

### 5/8"x3/4" Inlet Angle/Straight Plug Valve & Straight Connection

- List Price Adder or (Deduction) Per Connection

Angle Plug Valves Inlet "L"

Option	Size	List Price	Size	List Price
B - "-3G" PEP-7	3/4"	\$21.50	1"	NA
C - Flare	3/4"	N/C	1"	NA
G - FNPT	3/4"	N/C	1"	NA
H - Flare Less Flare Nut	3/4"	-\$5.79	1"	NA
Q - "Q" CTS	3/4"	\$3.25	1"	\$21.50
T - "T" CTS	3/4"	\$3.25	1"	\$21.50
V - "G" CTS	3/4"	\$3.25	1"	\$21.50
W - "H" CTS	3/4"	\$7.68	1"	\$27.42
Y - "-3H" PEP-7	3/4"	\$21.50	1"	NA
Z - "-3Q" PEP-7	3/4"	\$21.50	1"	NA
2 - "-22" CTS	3/4"	\$3.25	1"	\$21.50
3 - "33" PEP-7	3/4"	\$21.50	1"	NA
4 - "-44" PVC	3/4"	\$21.50	1"	NA
5 - "-55" IP	3/4"	\$21.50	1"	NA

### Straight Plug Valves Inlet/Outlet "P"

Option	Size	List Price	Size	List Price
B - "-3G" PEP-7	3/4"	\$27.18	1"	NA
C - Flare	3/4"	N/C	1"	NA
D - Double Purpose (Flare/FNPT) union	3/4"	\$0.27	1"	NA
H - Flare Less Flare Nut	3/4"	-\$5.79	1"	NA
P - MNPT	3/4"	N/C	1"	NA
Q - "Q" CTS	3/4"	\$3.70	1"	\$27.18
T - "T" CTS	3/4"	\$3.70	1"	\$27.18
V - "G" CTS	3/4"	\$3.70	1"	\$27.18
W - "H" CTS	3/4"	\$8.13	1"	\$33.10
Y - "-3H" PEP-7	3/4"	\$33.10	1"	NA
Z - "-3Q" PEP-7	3/4"	\$27.18	1"	NA
2 - "-22" CTS	3/4"	\$3.70	1"	\$27.18
3 - "33" PEP-7	3/4"	\$27.18	1"	NA
4 - "-44" PVC	3/4"	\$27.18	1"	NA
5 - "-55" IP	3/4"	\$27.18	1"	NA





## 776 Series - Long Yoke Box

5/8" X 3/4" METER

### 5/8"x3/4" Outlet Option Adders

- All options may not be available on all Long Yoke Boxes, contact factory

Straight Connection "C" For "PV Base Tray"

Option	Size	List Price	Size	List Price
B - "-3G" PEP-7	3/4"	\$34.33	1"	NA
G - FNPT	3/4"	N/C	1"	NA
Q - "Q" CTS	3/4"	\$20.97	1"	\$34.33
T - "T" CTS	3/4"	\$24.68	1"	\$34.33
V - "G" CTS	3/4"	\$20.97	1"	\$34.33
W - "H" CTS	3/4"	\$25.38	1"	\$40.24
Y - "-3H" PEP-7	3/4"	\$40.24	1"	NA
Z - "-3Q" PEP-7	3/4"	\$34.33	1"	NA
2 - "-22" CTS	3/4"	\$20.97	1"	\$34.33
3 - "-33" PEP-7	3/4"	\$34.33	1"	NA
4 - "-44" PVC	3/4"	\$34.33	1"	NA
5 - "-55" IP	3/4"	\$34.33	1"	NA

### Lid Options

Last digit in model number to get the following:

Option	Description	List Price
1	Nonlocking Cast Iron Lid	N/C
2	Locking Cast Iron Lid (standard)	N/C
2 x800	Locking Plastic Lid	N/C
2 x801	Locking Plastic Lid with ERT Mounting Bracket	\$6.74
3	Locking Cast Iron Lid with 2" Hole	\$4.56
3 x207	Locking Cast Iron Longbox Lid with Recessed Pad & 2" Oblong Hole	\$13.00
3 x800	Locking Plastic Lid with 2" Hole	\$4.56
3 x801	Locking Plastic Lid with 2" Hole and ERT Mounting Bracket	\$11.30
4	Locking Cast Iron Lid with 2" Hole with Removable Plug Assembled	\$13.12
5	Nonlocking Cast Iron Lid with 2" hole	\$4.56
7	Nonlocking Cast Iron Lid with 2" Hole and Removable Plug Assembled	\$13.12

### Yoke Long Box With Idler Inplace Of Dual Check Valve

Model	List Price
Replace "-." Dash With "K" i.e. 776208AB2G 332 becomes 776K208AB2G 332	-\$33.16

## Lids Only

Part No.	Option	Description	List Price
4175-110	76L1	Lockless	\$41.75
4175-109	76L2	Locking	\$41.75
4175-351	76L2 x800	Plastic Locking Lid	\$41.75
4175-352	76L2 x801	Plastic Locking Lid with ERT	\$48.50
4175-125	76L3	Locking Lid with 2" Hole	\$46.32
4175-056	76L3 x207	Locking with Recessed Pad & Oblong Hole	\$54.76
4175-353	76L3 x800	Plastic Locking with 2" Hole	\$46.32
4175-354	76L3 x801	Plastic Locking with 2" Hole with ERT	\$53.07
4175-120	76L4	Locking Lid with 2" Hole & Plug	\$54.87
4175-202	76L5	Lockless with 2" Hole	\$46.32
4175-416	76L7	Lockless with Plug	\$54.87

## Repair Parts

### ERT Under Lid Mount For Yoke Long Box Plastic Lids

Part No.	Model	Carton PCS/WT	List Price
4175-323	75-ERT	20/2	\$7.96

### Key - Used For All Yoke & Long Boxes

Part No.	Model	Carton PCS/WT	List Price
4175-165	75KEY	10/3	\$17.44

### Angle Ball Valves (With Self Tapping Screws & Gasket For Cradle)

Part No.	Model	Inlet Connection	Outlet Connection	Carton PCS/WT	List Price
5175-010	74641BA 3/4X5/8X3/4	3/4" FLARE	5/8"X3/4" Cradle	10/19	\$201.67
	74643BA 3/4X5/8X3/4	3/4" FNPT	5/8"X3/4" Cradle	10/17	\$201.67
5176-180	74641BAG 3/4X5/8X3/4	3/4" "G" CTS	5/8"X3/4" Cradle	10/16	\$204.93
	74641BAG 1X5/8X3/4	1" "G" CTS	5/8"X3/4" Cradle	10/20	\$237.84
	74641BAH 3/4X5/8X3/4	3/4" "H" CTS	5/8"X3/4" Cradle	10/16	\$209.34
	74641BAH 1X5/8X3/4	1" "H" CTS	5/8"X3/4" Cradle	10/20	\$243.76
5175-030	74641BAQ 3/4X5/8X3/4	3/4" "Q" CTS	5/8"X3/4" Cradle	10/16	\$204.93
5175-031	74641BAQ 1X5/8X3/4	1" "Q" CTS	5/8"X3/4" Cradle	10/21	\$237.84
5175-012	74641BAT 3/4X5/8X3/4	3/4" "T" CTS	5/8"X3/4" Cradle	10/17	\$204.93
5175-014	74641BAT 1X5/8X3/4	1" "T" CTS	5/8"X3/4" Cradle	10/20	\$237.84
5175-011	74641BA-22 3/4X5/8X3/4	3/4" "-22" CTS	5/8"X3/4" Cradle	10/18	\$204.93
5175-013	74641BA-22 1X5/8X3/4	1" "-22" CTS	5/8"X3/4" Cradle	10/20	\$237.84
5175-468	74641BA-3G 3/4X5/8X3/4	3/4" "-3G" PEP-7	5/8"X3/4" Cradle	10/15	\$219.72
	74641BA-3H 3/4X5/8X3/4	3/4" "-3H" PEP-7	5/8"X3/4" Cradle	10/15	\$225.64
	74641BA-3Q 3/4X5/8X3/4	3/4" "-3Q" PEP-7	5/8"X3/4" Cradle	10/15	\$219.72
5175-028	74641BA-33 3/4X5/8X3/4	3/4" "-33" PEP-7	5/8"X3/4" Cradle	10/15	\$219.72
	74641BA-44 3/4X5/8X3/4	3/4" "-44" PVC	5/8"X3/4" Cradle	10/15	\$219.72
	74641BA-55 3/4X5/8X3/4	3/4" "-55" IP	5/8"X3/4" Cradle	10/15	\$219.72

### Straight Ball Valves (With Self Tapping Screws & Gasket For Cradle)

Part No.	Model	Inlet Connection	Outlet Connection	Carton PCS/WT	List Price
5175-004	76101ADP 3/4X5/8X3/4	3/4" Double Purpose Union (FNPT/Flare)	5/8"X3/4" Cradle	10/15	\$178.46
5175-000	76100A 3/4X5/8X3/4	3/4" Flare	5/8"X3/4" Cradle	10/15	\$178.09
5175-003	76101A 3/4X5/8X3/4	3/4" FNPT	5/8"X3/4" Cradle	10/10	\$157.82
	76100AG 3/4X5/8X3/4	3/4" "G" CTS	5/8"X3/4" Cradle	10/14	\$181.04
	76100AG 1X5/8X3/4	1" "G" CTS	5/8"X3/4" Cradle	10/16	\$213.61
	76100AH 3/4X5/8X3/4	3/4" "H" CTS	5/8"X3/4" Cradle	10/14	\$185.46
	76100AH 1X5/8X3/4	1" "H" CTS	5/8"X3/4" Cradle	10/16	\$219.51
	76107AM 3/4X5/8X3/4	3/4" MNPT Union	5/8"X3/4" Cradle	10/12	\$178.46
	76107AM 1X5/8X3/4	1" MNPT Union	5/8"X3/4" Cradle	10/14	\$190.98
5175-029	76100AQ 3/4X5/8X3/4	3/4" "Q" CTS	5/8"X3/4" Cradle	10/14	\$181.04
	76100AQ 1X5/8X3/4	1" "Q" CTS	5/8"X3/4" Cradle	10/16	\$213.61
5175-001	76100AT 3/4X5/8X3/4	3/4" "T" CTS	5/8"X3/4" Cradle	10/14	\$181.04
	76100AT 1X5/8X3/4	1" "T" CTS	5/8"X3/4" Cradle	10/16	\$213.61
5175-002	76100A-22 3/4X5/8X3/4	3/4" "-22" CTS	5/8"X3/4" Cradle	10/14	\$181.04
	76100A-22 1X5/8X3/4	1" "-22" CTS	5/8"X3/4" Cradle	10/16	\$213.61
	76100A-3G 3/4X5/8X3/4	3/4" "-3G" PEP-7	5/8"X3/4" Cradle	10/16	\$213.61
	76100A-3H 3/4X5/8X3/4	3/4" "-3H" PEP-7	5/8"X3/4" Cradle	10/16	\$219.51
	76100A-3Q 3/4X5/8X3/4	3/4" "-3Q" PEP-7	5/8"X3/4" Cradle	10/16	\$213.61
	76100A-33 3/4X5/8X3/4	3/4" "-33" PEP-7	5/8"X3/4" Cradle	10/16	\$213.61
	76100A-44 3/4X5/8X3/4	3/4" "-44" PVC	5/8"X3/4" Cradle	10/16	\$213.61
	76100A-55 3/4X5/8X3/4	3/4" "-55" IP	5/8"X3/4" Cradle	10/16	\$213.61

### Outlet Connection (With Self Tapping Screws & Gasket For Cradle)

5/8"x3/4" Meter - used with Ball Valve Inlet Long Yoke Box

Part No.	Model	Inlet Connection	Outlet Connection	Carton PCS/WT	List Price
5175-122	74754AB 3/4	5/8"X3/4" Cradle	3/4" FNPT	10/7	\$41.47
	74753ABG 3/4	5/8"X3/4" Cradle	3/4" "G" CTS	10/10	\$64.62
	74753ABH 3/4	5/8"X3/4" Cradle	3/4" "H" CTS	10/10	\$69.05
5175-146	74753ABQ 3/4	5/8"X3/4" Cradle	3/4" "Q" CTS	10/11	\$64.62
5175-147	74753ABT 3/4	5/8"X3/4" Cradle	3/4" "T" CTS	10/11	\$64.62
5175-145	74753AB-22 3/4	5/8"X3/4" Cradle	3/4" "-22" CTS	10/10	\$64.62

### Stainless Steel Self Tapping Screws For Brass Inlets & Outlets

Part No.	Model	List Price
	3100-912	\$2.05





# 776 Series - Long Yoke Box

5/8" X 3/4" METER

## Angle Plug Valves (With Self Tapping Screws & Gasket For Cradle)

Part No.	Model	Inlet Connection	Outlet Connection	Carton PCS/WT	List Price
5175-019	74601A 3/4	3/4" Flare	5/8"X3/4" Cradle	10/16	\$101.28
	76103A 3/4	3/4" FNPT	5/8"X3/4" Cradle	10/14	\$94.52
	74601AG 3/4	3/4" "G" CTS	5/8"X3/4" Cradle	10/13	\$104.53
5175-359	74601AG 1X3/4	1" "G" CTS	5/8"X3/4" Cradle	10/25	\$122.79
	74601AH 3/4	3/4" "H" CTS	5/8"X3/4" Cradle	10/13	\$108.96
	74601AH 1X3/4	1" "H" CTS	5/8"X3/4" Cradle	10/25	\$128.70
5175-032	74601AQ 3/4	3/4" "Q" CTS	5/8"X3/4" Cradle	10/14	\$104.53
5175-020	74601AQ 1X3/4	1" "Q" CTS	5/8"X3/4" Cradle	10/19	\$122.79
5175-018	74601AT 3/4	3/4" "T" CTS	5/8"X3/4" Cradle	10/16	\$104.53
5175-033	74601AT 1X3/4	1" "T" CTS	5/8"X3/4" Cradle	10/19	\$122.79
5175-017	74601A-22 3/4	3/4" "-22" CTS	5/8"X3/4" Cradle	10/13	\$104.53
5175-034	74601A-22 1X3/4	1" "-22" CTS	5/8"X3/4" Cradle	10/15	\$122.79
	74601A-3H 3/4	3/4" "-3H" PEP-7	5/8"X3/4" Cradle	10/16	\$128.70
	74601A-3G 3/4	3/4" "-3G" PEP-7	5/8"X3/4" Cradle	10/16	\$122.79
	74601A-3Q 3/4	3/4" "-3Q" PEP-7	5/8"X3/4" Cradle	10/16	\$122.79
5175-021	74601A-33 3/4	3/4" "-33" PEP-7	5/8"X3/4" Cradle	10/16	\$122.79
	74601A-44 3/4	3/4" "-44" PVC	5/8"X3/4" Cradle	10/16	\$122.79
	74601A-55 3/4	3/4" "-55" IP	5/8"X3/4" Cradle	10/16	\$122.79

## Straight Plug Valves "P" Outlet (With Self Tapping Screws & Gasket For Cradle)

Part No.	Model	Inlet Connection	Outlet Connection	Carton PCS/WT	List Price
5175-023	73060ADP 3/4	3/4" Double Purpose Union (FNPT/Flare)	5/8"X3/4" Cradle	10/21	\$123.14
5175-022	73060A 3/4	3/4" Flare	5/8"X3/4" Cradle	10/20	\$122.88
	73061A 3/4	3/4" FNPT	5/8"X3/4" Cradle	10/20	\$115.70
5175-237	73060AG 3/4	3/4" "G" CTS	5/8"X3/4" Cradle	10/16	\$126.57
	73060AG 1X3/4	1" "G" CTS	5/8"X3/4" Cradle	10/20	\$150.07
	73060AH 3/4	3/4" "H" CTS	5/8"X3/4" Cradle	10/16	\$131.01
	73060AH 1X3/4	1" "H" CTS	5/8"X3/4" Cradle	10/20	\$155.98
5176-030	73060AP 3/4	3/4" MNPT	5/8"X3/4" Cradle	10/21	\$122.88
5175-026	73060AQ 3/4	3/4" "Q" CTS	5/8"X3/4" Cradle	10/19	\$126.57
5175-036	73060AQ 1X3/4	1" "Q" CTS	5/8"X3/4" Cradle	10/22	\$150.07
5175-025	73060AT 3/4	3/4" "T" CTS	5/8"X3/4" Cradle	10/30	\$126.57
5175-037	73060AT 1X3/4	1" "T" CTS	5/8"X3/4" Cradle	10/20	\$150.07
5175-024	73060A-22 3/4	3/4" "-22" CTS	5/8"X3/4" Cradle	10/20	\$126.57
5175-038	73060A-22 1X3/4	1" "-22" CTS	5/8"X3/4" Cradle	10/20	\$150.07
	73060A-3G 3/4	3/4" "-3G" PEP-7	5/8"X3/4" Cradle	10/21	\$150.07
	73060A-3H 3/4	3/4" "-3H" PEP-7	5/8"X3/4" Cradle	10/21	\$155.98
	73060A-3Q 3/4	3/4" "-3Q" PEP-7	5/8"X3/4" Cradle	10/21	\$150.07
5175-035	73060A-33 3/4	3/4" "-33" PEP-7	5/8"X3/4" Cradle	10/21	\$150.07
	73060A-44 3/4	3/4" "-44" PVC	5/8"X3/4" Cradle	10/21	\$150.07
	73060A-55 3/4	3/4" "-55" IP	5/8"X3/4" Cradle	10/21	\$150.07

## Inline Dual Check Valve (With Self Tapping Screws & Gasket For Cradle)

Part No.	Model	Inlet Connection	Outlet Connection	Carton PCS/WT	List Price
5123-171	711x3NA 44	3/4" Female Meter Thread Union	3/4" Male Meter Thread	1/2	\$119.82

## 2" Plastic Plug & Nut

Part No.	Model	List Price
4173-142	74MPPL	\$23.13

## 2" Cast Iron Plug With Cotter Pins

Part No.	Model	List Price
4174-059	74MCIPL	\$8.51

## Lock Plate

Part No.	Model	Carton PCS/WT	List Price
4176-215	76LP	10/1	\$11.44

## Expander Connection Wrench

Part No.	Model	List Price
4139-424	14-2EW Yoke Expander Wrench 3/4"	\$21.00

## 4" Cast Iron Riser

Part No.	Model	Carton PCS/WT	List Price
4175-338	76-EX04 (With Eight Screws)	2/28	\$82.32

## Outlet Connection "G" Outlet (With Self Tapping Screws & Gasket For Cradle) 5/8"x3/4" Meter

Model	Inlet Connection	Outlet Connection	Carton PCS/WT	List Price
5175-183 74754AP 3/4	5/8"X3/4" Cradle	3/4" FNPT	10/6	\$32.37
74754AP 1X3/4	5/8"X3/4" Cradle	1" FNPT	10/7	\$66.68
74753APG 3/4	5/8"X3/4" Cradle	3/4" "G" CTS	10/12	\$53.32
74753APG 1X3/4	5/8"X3/4" Cradle	1" "G" CTS	10/8	\$66.68
74753APH 3/4	5/8"X3/4" Cradle	3/4" "H" CTS	10/12	\$57.76
74753APH 1X3/4	5/8"X3/4" Cradle	1" "H" CTS	10/8	\$72.61
74753APQ 3/4	5/8"X3/4" Cradle	3/4" "Q" CTS	10/12	\$53.32
74753APQ 1X3/4	5/8"X3/4" Cradle	1" "Q" CTS	10/8	\$66.68
74753APT 3/4	5/8"X3/4" Cradle	3/4" "T" CTS	10/12	\$53.32
74753APT 1X3/4	5/8"X3/4" Cradle	1" "T" CTS	10/8	\$66.68
5176-191 74753AP-22 3/4	5/8"X3/4" Cradle	3/4" "-22" CTS	10/12	\$53.32
5176-100 74753AP-22 1X3/4	5/8"X3/4" Cradle	1" "-22" CTS	10/8	\$66.68
74753AP-3G 3/4	5/8"X3/4" Cradle	3/4" "-3G" PEP-7	10/15	\$66.68
74753AP-3H 3/4	5/8"X3/4" Cradle	3/4" "-3H" PEP-7	10/15	\$72.61
74753AP-3Q 3/4	5/8"X3/4" Cradle	3/4" "-3Q" PEP-7	10/15	\$66.68
74753AP-33 3/4	5/8"X3/4" Cradle	3/4" "-33" PEP-7	10/15	\$66.68
74753AP-44 3/4	5/8"X3/4" Cradle	3/4" "-44" PVC	10/15	\$66.68
74753AP-55 3/4	5/8"X3/4" Cradle	3/4" "-55" IP	10/15	\$66.68

## Expander with Gaskets Only

5/8"x3/4" Meter

Part No.	Model	Inlet Connection	Outlet Connection	Carton PCS/WT	List Price
5175-639	775-2SA	5/8"x3/4" Female Meter Thread	5/8"x3/4" Nose Piece	25/23	\$43.67

## Cradle Gasket

Part No.	Model	Inlet Connection	Outlet Connection	Carton PCS/WT	List Price
4175-119	75-2G	5/8"X3/4" Cradle	5/8"X3/4" Cradle	25/1	\$0.52

## Hardware Package - Dual Check, Gaskets & Expander

Part No.	Model	Carton PCS/WT	List Price
5175-640	776-2SA	1/3	\$188.60

## Hardware Package - Idler, Gaskets & Expander

Part No.	Model	Carton PCS/WT	List Price
5175-667	776-2JA	1/2	\$154.64

## Brass Idler

Part No.	Model	Carton PCS/WT	List Price
776-2J		1/1	\$86.67

## EPDM Rubber Bevelled Nose Piece Expander Gasket

Part No.	Model	Carton PCS/WT	List Price
4139-340	14-2NG	25/1	\$1.55

## Hard Fiber Expander Gasket

Part No.	Model	Carton PCS/WT	List Price
4139-337	14-2HG	25/1	\$2.77

## Screws For Plastic Riser

Part No.	Model	Carton PCS/WT	List Price
4175-135	76PEXS (Eight Required)	40/1	\$0.76

## 4" Plastic Riser

Part No.	Model	Carton PCS/WT	List Price
4175-132	76PEX04 (With Eight Screws)	5/9	\$42.75

## Plug/Ball Valve x Straight Connection Base Tray

Part No.	Model	Inlet Connection	Outlet Connection	Carton PCS/WT	List Price
4176-081	76-2BASEBV	"A" Angle Ball Valve x "B" Straight Ball Valve	"C" "BV Base Tray" Straight Connection	1/55	\$99.56
4176-235	76-2BASEPV	"L" Angle Plug Valve x "P" Straight Plug Valve	"C" "BV Base Tray" Straight Connection	1/55	\$99.56

## Upper Sections

Part No.	Model	Carton PCS/WT	List Price
4175-111	76-US08 8" Cast Iron	1/26	\$143.91
4175-116	76PUS08 8" Plastic	1/3	\$73.95
4175-337	76-US12 12" Cast Iron	1/43	\$225.36

## Stainless Steel Bolt Kit For Attaching Cast Iron Upper To Base

Part No.	Model	Carton PCS/WT	List Price
	76-BK (Four bolts & nuts required per riser)	1/1	\$11.17

Meter Boxes



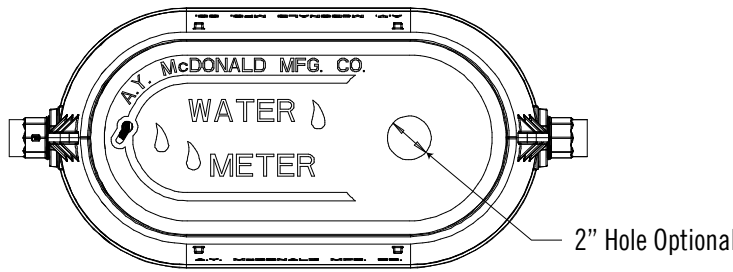
## 1" Meter - 776 Series

### 1" METER

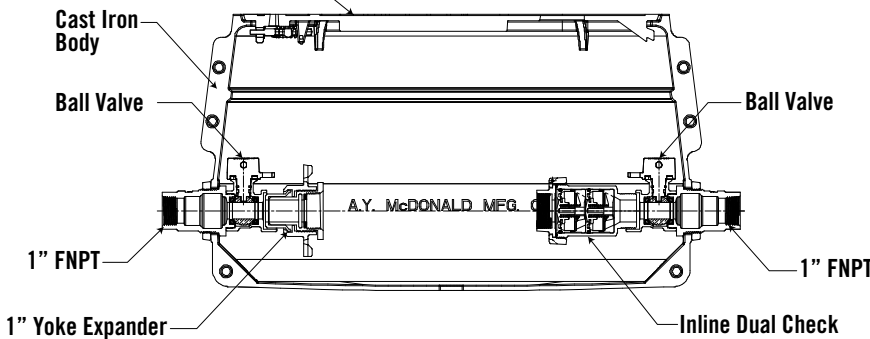
Need a complete and compact 1" meter setting package for a moderate to warm climate? A.Y. McDonald has the right yoke and longbox assembly to meet your needs.

#### Features

- Cast Iron base and lid
- Made from durable cast iron meeting ASTM A126 Class B (25,000 PSI tensile strength)
- Locking lids are provided as standard
- Includes a hole in base of drainage
- Provides automatic spacing and alignment for the meter
- Meter can be inserted at any time during or after the installation of the meter box
- The inlet, outlet, dual check and expansion connection are made of waterworks brass meeting the latest revision of AWWA Standard C800
- Removable dual cartridge check valve which meets ASSE 1024 requirements
- Female National Pipe Threaded connections are supplied as standard
- Male Iron Pipe Thread straight, 45° and 90° connections available
- Straight ball type inlet and outlet valves



Locking Cast Iron Lid



Meter Boxes

To order Yoke Boxes - Model No. **776-409BBGG 442** means:

<b>776</b>	<b>-</b>	<b>4</b>	<b>09</b>	<b>B B</b>	<b>G G</b>		<b>44</b>	<b>2</b>		
Series	Style	Meter Size	Meter Depth	Inlet and Outlet Valves	Type of connection Inlet and Outlet	Blank Space	Size-Inlet and Outlet	Type of Lid	Type of Lid Option	



# 1" Meter - 776 Series

## Stright Standard Port Ball Valve Inlet x Straight Standard Port Ball Valve Outlet "BB"

Part No.	Model	Inlet Connection	Outlet Connection	Carton PCS/WT	List Price
5176-147	776-409BGG 442	1" FNPT	1" FNPT	1/85	\$955.95

### 1" Inlet/Outlet Option Adder - Price Per End

Standard Port Straight Ball Valve "B"

Option	Size	List Price
G - FNPT	1" FNPT	N/C
Q - "Q" CTS	1" "Q" CTS	\$39.66
T - "T" CTS	1" "T" CTS	\$39.66
V - "G" CTS	1" "G" CTS	\$39.66
W - "H" CTS	1" "H" CTS	\$39.66
2 - "-22" CTS	1" "-22" CTS	\$39.66

## Straight Full Port Ball Valve Inlet x Straight Full Port Ball Valve Outlet "BB"

Part No.	Model	Inlet Connection	Outlet Connection	Carton PCS/WT	List Price
	776-409JGG 442	1" FNPT	1" FNPT	1/90	\$1,021.41

### 1" Inlet/Outlet Option Adder - Price Per End

Full Port Straight Ball Valve "J"

Option	Size	List Price
G - FNPT	1" FNPT	N/C
Q - "Q" CTS	1" "Q" CTS	\$58.18
T - "T" CTS	1" "T" CTS	\$58.18
V - "G" CTS	1" "G" CTS	\$58.18
W - "H" CTS	1" "H" CTS	\$58.18
2 - "-22" CTS	1" "-22" CTS	\$58.18

### Lid Options

Last digit in model number to get the following:

Option	Description	List Price
2	Locking Cast Iron Lid (standard)	N/C
2 x205	Locking Cast Iron Lid Mark for Irrigation	N/C
3	Locking Cast Iron Lid with 2" Hole	\$4.56
3 x205	Locking Cast Iron Lid with 2" Hole Mark for Irrigation	\$4.56

## Lids Only

Part No.	Option	Description	List Price
4176-020	76L42	No Hole	\$91.55
4176-018	76L42 x205	No Hole - Irrigation	\$91.55
4176-021	76L43	Hole	\$96.13
4176-019	76L43 x205	Hole - Irrigation	\$96.13

## Repair Parts

### Hardware Packages

Part No.	Model	Inlet Connection	Outlet Connection	Carton PCS/WT	List Price
5175-478	776-4SABGG 44	1" FNPT	1" FNPT		\$738.98
5175-479	776-4SABBQ 44	1" "Q" CTS	1" "Q" CTS		\$816.01
5176-475	776-4SABVG 44	1" "G" CTS	1" FNPT		\$777.48
5175-485	776-4SAJGG 44	1" FNPT	1" FNPT		\$804.44
5175-486	776-4SAJQQ 44	1" "Q" CTS	1" "Q" CTS		\$881.48

## Inlet/Outlet Inline Ball Valves

Part No.	Model	Inlet Connection	Outlet Connection	Carton PCS/WT	List Price
5175-475	76101WA 1 X 3/4 X 1	1" FNPT	1" Cradle	10/32	\$183.16
5175-484	76101WA 1	1" FNPT	1" Cradle	10/33	\$215.89
	76100WAG 1X3/4X1	1" "G" CTS	1" Cradle		\$222.82
	76100WAG 1	1" "G" CTS	1" Cradle		\$274.08
	76100WAH 1X3/4X1	1" "H" CTS	1" Cradle		\$222.82
	76100WAH 1	1" "H" CTS	1" Cradle		\$279.99
	76100WAQ 1X3/4X1	1" "Q" CTS	1" Cradle		\$228.74
	76100WAQ 1	1" "Q" CTS	1" Cradle		\$274.08
	76100WAT 1X3/4X1	1" "T" CTS	1" Cradle		\$222.82
	76100WAT 1	1" "T" CTS	1" Cradle		\$274.08
	76100WA-22 1X3/4X1	1" "-22" CTS	1" Cradle		\$222.82
	76100WA-22 1	1" "-22" CTS	1" Cradle		\$274.08

## Inline Dual Check

Part No.	Model	Inlet Connection	Outlet Connection	Carton PCS/WT	List Price
5175-474	711-4NA 55	1" Female Meter	1" Male Meter	1/3	\$298.02

## Expander & Dual Check Package

Part No.	Model	Inlet Connection	Outlet Connection	Carton PCS/WT	List Price
5176-123	776-4SA	1" Meter Nose Piece	1" Male Meter	1/5	\$372.66

## Stainless Steel Bolt Kit

Part No.	Model	Carton PCS/WT	List Price
4175-403	75-BK - four each stainless screws 1/4-20x1 1/4 & nuts 1/4-20	1/1	\$11.17

## Expander - Includes Hard Gasket & Cradel Gasket

Part No.	Model	Carton PCS/WT	List Price
5139-274	714-4EHG	18/31	\$74.64

## Hard Gasket For Inlet Of Dual Check

Part No.	Model	Carton PCS/WT	List Price
4139-338	14-4HG	10/1	\$3.28

## Cradle Gaskets

Part No.	Model	Carton PCS/WT	List Price
4139-273	14-4G	10/1	\$0.69

## Cast Iron Body Assembly

Part No.	Model	Carton PCS/WT	List Price
4176-151	76-409	1/80	\$213.28



# 776 Series - Accessories

## 714U2EYBV X950

For Ball Valve Yoke Box Expander with UFR  
For Volumetric/PD Meter with Check Valve

Part No.	Size	Carton PCS/WT	Price
5032-131	5/8" x 3/4" or 3/4"	10/15	\$212.27

## 714U2EYBV X961

For Ball Valve Yoke Box Expander with UFR  
For Multi-Jet Meter less Check Valve

Part No.	Size	Carton PCS/WT	Price
5032-134	5/8" x 3/4" or 3/4"	10/16	\$224.75

## 714U2E X960

For Plug Valve Yoke Box Expander with UFR  
For Multi-Jet Meter with Check Valve

Part No.	Size	Carton PCS/WT	Price
5032-085	5/8" x 3/4" or 3/4"	10/15	\$212.27

## 714U2EYBV X951

For Ball Valve Yoke Box Expander with UFR  
For Volumetric/PD Meter less Check Valve

Part No.	Size	Carton PCS/WT	Price
5032-132	5/8" x 3/4" or 3/4"	10/15	\$224.75

## 714U2E X950

For Plug Valve Yoke Box Expander with UFR  
For Volumetric/PD Meter with Check Valve

Part No.	Size	Carton PCS/WT	Price
5032-083	5/8" x 3/4" or 3/4"	10/15	\$212.27

## 714U2E X961

For Plug Valve Yoke Box Expander with UFR  
For Multi-Jet Meter less Check Valve

Part No.	Size	Carton PCS/WT	Price
5032-086	5/8" x 3/4" or 3/4"	10/15	\$224.75

## 714U2EYBV X960

For Ball Valve Yoke Box Expander with UFR  
For Multi-Jet Meter with Check Valve

Part No.	Size	Carton PCS/WT	Price
5032-133	5/8" x 3/4" or 3/4"	10/15	\$212.27

## 714U2E X951

For Plug Valve Yoke Box Expander with UFR  
For Volumetric/PD Meter less Check Valve

Part No.	Size	Carton PCS/WT	Price
5032-084	5/8" x 3/4" or 3/4"	10/15	\$224.75



# 777 Series

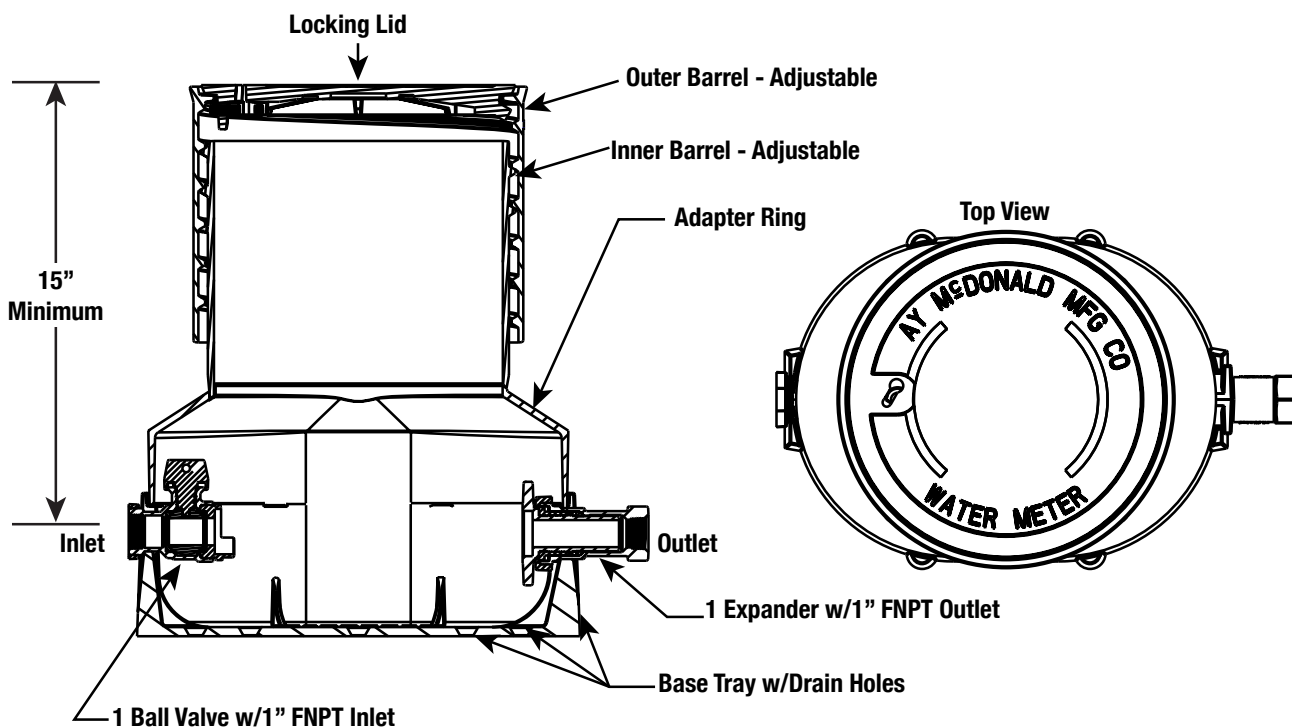
5/8", 5/8" X 3/4", 3/4" OR 1" METER

A.Y. McDonald Mfg. 777-Series meter box offers versatility in design and adaptability in service line connections. Adjustable to unexpected grade changes and service line specifications. The 777 Series provides a protective cast iron housing for water meters to one inch size and service line depths of 11 – 20". Options are available including integral Compression on 5/8" and 5/8" x 3/4" sizes, connection adapters, non-locking lids, lids for radio and touch read technology, and stationary non-adjustable top sections.

Drainage Holes in Base Casting. Cast iron base, upper section, and lid are black dip coated to prevent rust.

**A standard fully assembled "CR" Meter Box package includes:**

- Cast Iron Housing Construction
- Adjustable Top Section - R Version
- 300 PSI rated Ball Style Inlet Valve
- Female Pipe Thread Connections
- Integral Expansion Connection to the Meter
- Cast Iron Locking



**1" 777R SERIES "CR" ROTATIONAL BOX SHOWN**

Meter Boxes



# Meter Boxes

## 777 Series

5/8", 5/8" X 3/4", 3/4" OR 1" METER



5/8" & 5/8" x 3/4" Meter



3/4" Meter



1" Meter

To order Long Boxes - Model No. **77R211BCGG 332** means:

**777**

Series  
777-Series

**R**

Style

- = Non - Adjustable Upper Section  
R = Rotational Upper Section

**2**

Meter Size

1 = 5/8" Meter  
2 = 5/8" x 3/4" Meter  
3 = 3/4" Meter  
4 = 1" Meter

**11**

Minimum Meter Depth

11 = 5/8" & 5/8" x 3/4"  
14 = 3/4"  
15 = 1"

**B C**

Inlet and Outlet Valves  
B = Straight ball valve  
C = Straight connection outlet

**G G**

Type of connection- Inlet and Outlet

G = 3/4" or 1" FNPT  
Q = 3/4" Q CTS Compression  
T = 3/4" T CTS Compression  
V = 3/4" G CTS Compression  
W = 3/4" H CTS Compression  
2 = 3/4" -22 CTS Compression

**Blank Space**

Blank Space

**33**

Size-Inlet and Outlet

3 = 3/4"  
4 = 1"

**2**

Type of Lid

1 = Lockless lid  
2 = Locking lid (standard)  
3 = Locking lid 2" hole  
5 = Lockless lid 2" hole

**NOTE:** All combinations may not be available with all models. Contact factory for further information.

### Straight Ball Valve Inlet x Straight Connection Outlet (BC)

Part No.	Model	Inlet Connection	Outlet Connection	Carton PCS/WT	Price
5177-053	777R111BCGG 332	3/4" FNPT	3/4" FNPT	1/76	\$701.90
5177-045	777R211BCGG 332	3/4" FNPT	3/4" FNPT	1/77	\$710.02
	777R314BCGG 332	3/4" FNPT	3/4" FNPT	1/30	\$865.55
5177-057	777R415BCGG 442	1" FNPT	1" FNPT	1/105	\$1,019.07

## Lids Only

Part No.	Option	Description	List Price
4175-314	75L41	Lockless	\$46.26
4175-349	75L41 x200	Nonlock, No Lifter	\$46.26
4176-002	75L41 x203	Nonlock, No Lifter - Purple	\$46.26
4175-315	75L42	Locking	\$46.26
4173-213	75L42DAL x807	Locking Dallas Style - Plastic Lid	\$46.26
4175-316	75L43	Locking with Hole	\$50.83
4175-317	75L45	Lockless with Hole	\$50.83
4175-350	75L45 x200	Lockless with Hole	\$50.83
4176-001	75L45 x202	RW Nonlock, 2" Center Hole - Purple	\$50.83
4176-003	75L45 x204	RW Nonlock, No Lifter & 2" Offset Hole - Purple	\$50.83





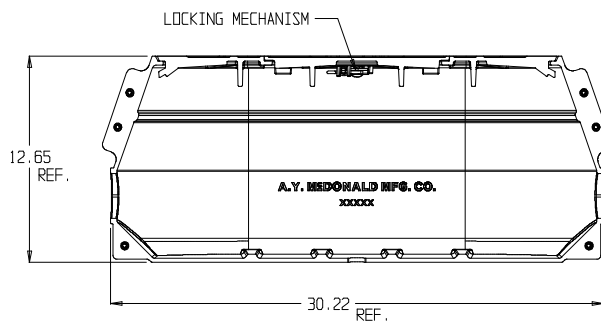
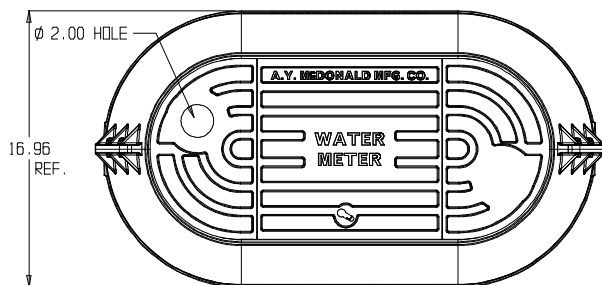
# Pro Meter Box 779 Series

1 1/2" & 2" METER

Cast Iron enclosure for safety and security of 1 1/2" & 2" oval flanged water meters.

## Features

- Cast Iron construction
- For bury depth of approximately 13"
- Comes standard with locking lid and no hole.
- Lid available with 2" hole for touch/radio read.
- Lid available with 2" hole for touch/radio read and plug for hole
- 8" Riser / extension available
- Service line in/out are approximately 4" from bottom
- Used to set 1 1/2" and 2" oval flanged meters
- Cast iron components conforms to ASTM A126 Class B or ASTM A159 Grade 2500 (latest revision) and coated with black dip
- Brass components sold separately
- Locks with standard meter box key



## 75KEY

Yoke and Longbox Key

Part No.	Size	Carton PCS/WT	Price
4175-165		10/3	\$17.44



# Pro Meter Box 779 Series

1 1/2" & 2" METER

## Pro Meter Box with Lid

### 79-PBOX--X002

1 1/2" & 2" Pro Meter Box with Locking Lid No Hole

Part No.	Carton PCS/WT	Price
4176-065		\$993.23

### 79-PBOX--X003

1 1/2" & 2" Pro Meter Box with Locking Lid with Hole

Part No.	Carton PCS/WT	Price
4176-066		\$998.02

### 79-PBOX--X004

1 1/2" & 2" Pro Meter Box with Locking Lid with Hole & Plug

Part No.	Carton PCS/WT	Price
4176-067		\$1,006.12

- For epoxy paint add \$361.20

## Lids Only

### 79-PBOX--L2C

Pro Meter Box Center Lid with Lock

Part No.	Carton PCS/WT	Price
		\$99.20

### 79-PBOX--LE

Pro Meter Box End Lid - No Hole

Part No.	Carton PCS/WT	Price
		\$40.52

### 79-PBOX--LET

Pro Meter Box End Lid - with Hole

Part No.	Carton PCS/WT	Price
		\$45.80

### 79-PBOX--LETP

Pro Meter Box End Lid - Hole & Plug

Part No.	Carton PCS/WT	Price
		\$53.89

## Kits

### Two Ball Valve Kit

Part No.	Model	Size	Carton PCS/WT	Price
	779-PBOX--6WW	1 1/2"	1/15	\$970.19
	779-PBOX--7WW	2"	1/21	\$1,369.88

### Ball Valve x Dual Check Kit

Part No.	Model	Size	Carton PCS/WT	Price
	779-PBOX--6WD	1 1/2"	1/30	\$1,168.71
	779-PBOX--7WD	2"	1/20	\$1,368.56

### Ball Valve x Single Check Kit

Part No.	Model	Size	Carton PCS/WT	Price
	779-PBOX--6WC	1 1/2"	1/25	\$1,027.51
	779-PBOX--7WC	2"	1/30	\$1,227.37

### Ball Valve x Oval Flange Kit

Part No.	Model	Size	Carton PCS/WT	Price
5176-099	779-PBOX--6WX	1 1/2"	1/8	\$687.27
5176-098	779-PBOX--7WX	2"	1/15	\$887.13



# Accessories

## HAND WHEEL STYLE



### Expander with Hard Gaskets

Part No.	Model	Meter Size	Price
5139-034	714-1EHG	5/8"	\$39.20
5139-035	714-2EHG	5/8" x 3/4" or 3/4"	\$44.44
5139-274	714-4EHG	1"	\$74.64

Includes 2 meter gaskets

### Expander with Soft Gaskets

Part No.	Model	Meter Size	Price
5139-203	714-1ESG	5/8"	\$39.20
5139-204	714-2ESG	5/8" x 3/4" or 3/4"	\$44.44
5139-485	714-4ESG	1"	\$74.64

Includes 2 meter gaskets

## WRENCH STYLE



### Expander with Hard Gaskets

Part No.	Model	Meter Size	Price
5139-426	714-1WEHG	5/8"	\$39.20
5139-427	714-2WEHG	5/8" x 3/4" or 3/4"	\$44.44
5139-428	714-4WEHG	1"	\$74.64

Includes 2 meter gaskets



**75Key**  
Works on both  
Yoke and Long Boxes

### 75KEY

Locking Lid Key

Part No.	Size	Carton PCS/WT	Price
4175-165		10/3	\$17.44

### 75KEYDAL

Locking Lid Dallas Key

Part No.	Size	Carton PCS/WT	Price
4176-202		5/5	\$33.42

### 10J12 - Adapter

For conversion of 5/8" Meter to  
5/8" x 3/4" Meter



Part No.	Size	Carton PCS/WT	Price
4137-097	5/8" to 5/8" x 3/4"	50/5	\$9.32

### Cradle Gasket

Gasket

Part No.	Model No.	Size	Carton PCS/WT	Price
	75-1G	5/8"	25/1	\$0.53
4175-119	75-2G	5/8" x 3/4" or 3/4"	25/1	\$0.58
	75-4G	1"	25/1	\$0.69



### 75-ERT

ERT Mounting Cartridge for Plastic Lids

Part No.	Model No.	Carton PCS/WT	Price
4175-323	75-ERT	20/2	\$7.96



### 75LP

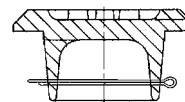
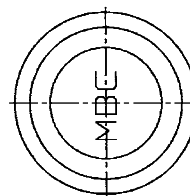
Lockplate for 775 Series

Part No.	Size	Carton PCS/WT	Price
4175-196		10/1	\$8.68

### 76LP

Lockplate for 776 Series

Part No.	Size	Carton PCS/WT	Price
4176-215		10/1	\$11.20



**74MCIPL** -  
Cast iron plug  
with cotter pin

### 74MCIPL

Cast Iron Plug w/Cotter Pin

Part No.	Size	Carton PCS/WT	Price
4174-059	1 3/4"	1/1	\$8.51



### 74MPPL

Plastic Plug and Nut

Part No.	Size	Carton PCS/WT	Price
4173-142	2"	10/3	\$23.13



# WITHOUT YOU THERE IS NO US.



A.Y. McDonald Mfg. Co. is a leading manufacturer of Water Works, Plumbing, Pumps, and Natural Gas Products. The Company has distinguished itself with a proud tradition of quality and reliability since its founding in 1856.

The mission of A.Y. McDonald Mfg. Co., in the words of our founder, is “to make good products and sell them honestly.” We, the stockholders and co-workers, accomplish this by extending the McDonald family culture through excellent customer service and by focusing on our customers’ needs.

At A.Y. McDonald, you aren’t just getting a product; you are getting an innovative solution, access to educational opportunities, and the ability to be treated like family. The customer is the boss and we aim to break the mold on how we reach customer satisfaction. Because in the end, without you, there would be no us.



Scan the QR code for the history of A.Y. McDonald.



## MORE THAN A BRAND. WE'RE A FAMILY.

1-800-AY-CARES | [aymcdonald.com](http://aymcdonald.com)

Orders, Questions, Quote Requests: E-Mail: [sales@aymcdonald.com](mailto:sales@aymcdonald.com)



**WARNING:** It is unlawful in CALIFORNIA & VERMONT (effective 1/1/2010); MARYLAND (effective 1/1/2012); LOUISIANA (effective 1/1/2013) and the UNITED STATES OF AMERICA (effective 1/4/2014) to use any product in the installation or repair of any public water system or any plumbing in a facility or system that provides water for human consumption if the wetted surface area of the product has a weighted average lead content greater than 0.25%. This prohibition does not extend to service saddles used in California, Louisiana or under USA Public Law 111-380. **WARNING:** This product can expose you to chemicals including lead, which is known to the State of CALIFORNIA to cause cancer and birth defects or other reproductive harm. For more information go to: [www.P65Warnings.ca.gov](http://www.P65Warnings.ca.gov).