



Product Data

INDUSTRY LEADING FEATURES / BENEFITS

A competitively priced and creative solution to design problems.

The **38MG(R/H)B** ductless inverter driven multi-zone system provides individual comfort control for up to 5 separate zones. Match two, three, four or even five space-saving **High Wall, Cassette, Slim Ducted, Air Handler units** or **Floor Console** fan coils with one outdoor heat pump. The indoor fan coils are connected to the outdoor unit by refrigerant tubing and wires.

Mount different indoor unit styles in several locations to accommodate the application. This selection of fan coils permits inexpensive and creative solutions to design problems such as:

- Adding air conditioning to spaces that are heated by hydronic or electric heat and have no ductwork
- Historical renovations or any application where preserving the look of the original structure is essential
- Commercial add-on jobs where the existing air conditioning system cannot be stretched.

These compact indoor fan coil units take up very little space in the room and do not obstruct windows. The fan coils are attractively styled to blend with most room decors. Advanced system components incorporate innovative technology to provide reliable cooling and heating performance at low sound levels.

TABLE OF CONTENTS

| | PAGE |
|---|------|
| INDUSTRY LEADING FEATURES / BENEFITS | 1 |
| MODEL NUMBER NOMENCLATURE..... | 3 |
| STANDARD FEATURES AND ACCESSORIES | 4 |
| DIMENSIONS | 5 |
| CLEARANCES | 8 |
| PHYSICAL DATA..... | 9 |
| PERFORMANCE..... | 10 |
| COOLING PERFORMANCE NON-DUCTED..... | 11 |
| HEATING PERFORMANCE NON-DUCTED..... | 39 |
| COOLING PERFORMANCE DUCTED PLUS NON-DUCTED...47 | |
| HEATING PERFORMANCE DUCTED PLUS NON-DUCTED...75 | |
| COOLING PERFORMANCE DUCTED..... | 83 |
| HEATING PERFORMANCE DUCTED..... | 111 |
| APPLICATION DATA | 119 |
| UNIT MOUNTING (OUTDOOR)..... | 132 |
| WIRING | 133 |
| PIPING REQUIREMENTS..... | 134 |
| FAN AND MOTOR SPECIFICATIONS | 134 |
| ELECTRICAL DATA..... | 134 |
| WIRING DIAGRAMS..... | 134 |
| GUIDE SPECIFICATIONS..... | 135 |



Fig. 1 — Size 18R



Fig. 2 — Sizes 24HH, 30HH, 36R



Fig. 3 — Sizes 36HH, 48R, 48HH

NOTE: Images are for illustration purposes only. Actual models may differ slightly.

Inverter Technology

The inverter driven compressor is designed to run at various input power frequencies (Hz) which controls the compressor's motor speed.

Even Temperature – The control package, including the inverter, monitors the outdoor and indoor temperatures as they relate to the selected indoor set point and adjusts the compressor speed to match the load and keep the system operating continuously rather than cycling and creating temperature swings. This translates to higher comfort levels for the occupants.

Rapid Pull Down/Warm-Up – Comfort is increased by the inverter system's ability to ramp up the compressor speed enabling the system to reach the user selected room temperature set point quicker.

Humidity Control – Running the system for longer periods and continuously changing the compressor speed enhances the humidity control.

Individual Room Comfort

Maximum comfort is provided because each space can be controlled individually based on the usage pattern.

Low Sound Levels

When noise is a concern, ductless systems are the answer. The indoor units are whisper quiet. There are no compressors indoors, either in the conditioned space or directly over it, and there is none of the noise usually generated by air being forced through the ductwork.

When sound ordinances and proximity to neighbors demand quiet operation, the **38MG(R/H)B** unit is the right choice. With the inverter technology, these units run at lower speeds, most of the time resulting in reduced sound levels.

Inverter Technology – Enhanced Economical Operation

Ductless systems are inherently economical to operate. Individual rooms are heated or cooled only when required, and since the air is delivered directly to the space, there is no need to use additional energy to move the air in the ductwork. This economical operation is enhanced further when the inverter system output matches the load resulting in a more efficient system.

Easy-To-Use Controls

The multi-zone systems have microprocessor-based controls to provide the ultimate in comfort and efficiency. The user friendly wired and wireless remote controls provide an interface between the user and the unit.

Secure Operation

If security is an issue, outdoor and indoor units are connected only by refrigerant piping and wiring to prevent intruders from crawling through ductwork or wall openings. Since the **38MG(R/H)B** can be installed close to an outside wall, coils are protected from vandals and severe weather.

Fast Installation

This compact ductless system is simple to install. A mounting bracket is included with the indoor units and only wires and piping need to run between the indoor and outdoor units. These units are fast and easy to install ensuring minimal disruption to customers in homes or the workplace. This makes **38MG(R/H)B** systems the equipment of choice for retrofit applications.

Simple Servicing and Maintenance

Removing the top panel of the outdoor unit provides immediate access to the control compartment, providing the service technician access to the diagnostic LEDs to facilitate the troubleshooting process. In addition, the draw-thru design of the outdoor unit means that dirt accumulates on the outside surface of the coil. Coils can be cleaned quickly from the inside using a pressure hose and detergent.

On the indoor units, service and maintenance expense is reduced due to the permanent easy to clean filters. Also, error codes appear on the front panel to alert the user to certain system malfunctions.

Built-in Reliability

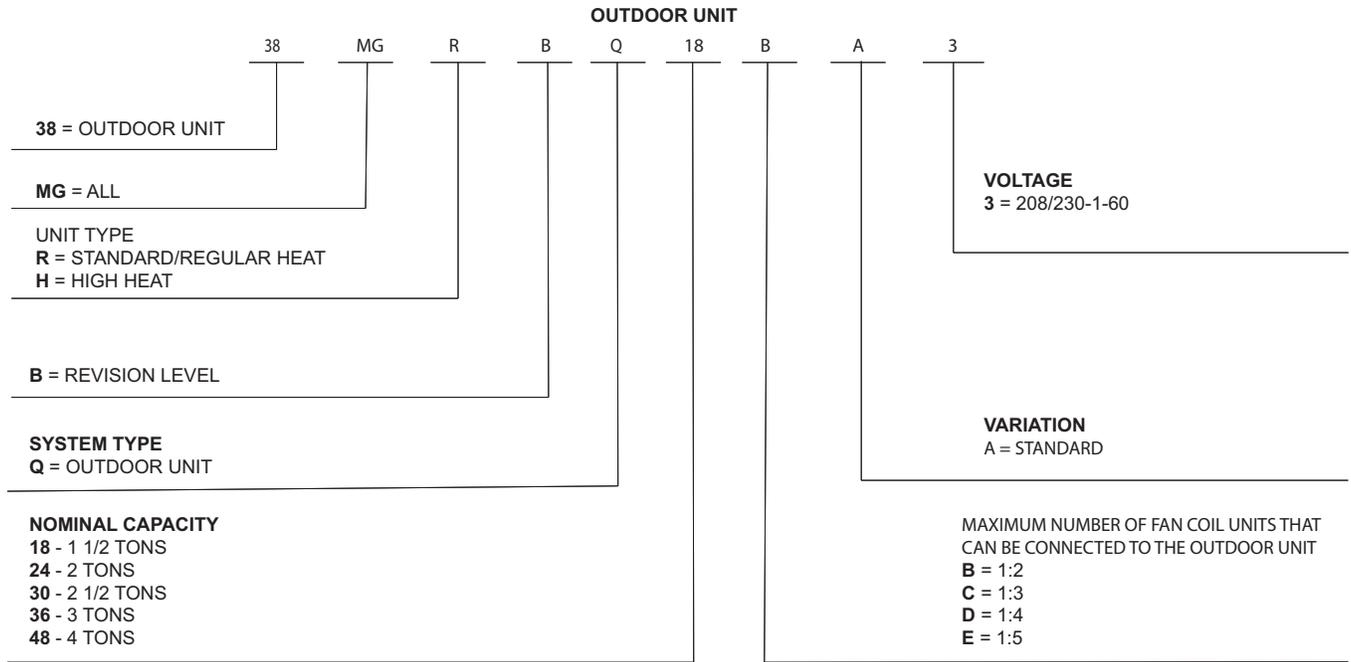
Ductless system indoor and outdoor units are designed to provide years of trouble-free operation. Both the indoor and outdoor units are well protected. Whenever the microprocessor detects abnormal conditions, the unit stops and an error code appears.

Inverter systems provide additional reliability due to the soft start. This refers to the ability of the inverter to start the compressor motor using reduced voltage and reduced current. This feature is beneficial from an electrical standpoint (eliminates current spikes) as well as an overall reliability standpoint due to reduced stress on all associated system components.

Agency Listings

All systems are listed with AHRI (Air conditioning, Heating, and Refrigeration Institute) and are UL/ETL certified per UL 60335-2-40 standard.

MODEL NUMBER NOMENCLATURE



Use of the AHRI Certified TM Mark indicates a manufacturer's participation in the program For verification of certification for individual products, go to www.ahridirectory.org.



STANDARD FEATURES AND ACCESSORIES

| | |
|---|---|
| Ease Of Installation | |
| Low Voltage Controls | S |
| Comfort Features | |
| Microprocessor Control | S |
| Auto Restart Function | S |
| Auto Changeover | S |
| Low Ambient Cooling | S |
| Low Ambient Heating | S |
| Energy Saving Features | |
| Inverter Driven Compressor | S |
| 46° F Heating Mode (Heating Setback) | S |
| Safety And Reliability | |
| 3 Minute Time Delay For Compressor | S |
| High Compressor Discharge Temperature | S |
| Low Voltage Protection | S |
| Compressor Overload Protection | S |
| Compressor Over Current Protection | S |
| IPM Module Protection | S |
| Aluminum Golden Hydrophilic pre-coated fins | S |
| Ease Of Service And Maintenance | |
| Diagnostics | S |
| Error Messages Displayed On Front Panel | S |
| Application Flexibility | |
| Crankcase Heater | S |
| Base pan Heater | S |

Outdoor Units

Crankcase Heater

The crankcase heater is standard on all unit sizes. Heater clamps must be placed around the compressor oil stump.

Base pan Heater

The base pan heater is standard on all unit sizes.

Legend

S - Standard

A - Accessory

ACCESSORIES

| Outdoor Unit Model Number | Sizes | Base Pan Base Rubber Plugs RCD Part No. | Qty. per Unit |
|--|--|---|---------------|
| 38MGRBQ18BA3 | 18R (Standard) | 12600801A00077 | 25 |
| 38MGHBQ24CA3 38MGHBQ30DA3 38MGRBQ36DA3 | 24HH (High Heat) 30HH (High Heat) 36R (Standard) | 12600801A00117 | 5 |
| 38MGHBQ36DA3 38MGRBQ48EA3 38MGHBQ48EA3 | 36HH (High Heat) 48R (Standard) 48HH (High Heat) | 12600801A00118 | 5 |

NOTE: The basepan is built in with multiple holes for proper draining during defrost. For applications where it is required to seal these holes, and re-direct the condensate drain, rubber plugs are available through RCD.

DIMENSIONS

| SYSTEM SIZE | | 18R (STANDARD) | 24HH (HIGH HEAT) | 30HH (HIGH HEAT) | 36R (STANDARD) | 36HH (HIGH HEAT) | 48R (STANDARD) | 48HH (HIGH HEAT) |
|--------------------|-----------|--------------------------|--------------------------|--------------------------|--------------------------|------------------------|------------------------|------------------------|
| Input Voltage | V | 208/230 | | | | | | |
| Height (H) | in (mm) | 26.50(673) | 31.89(810) | 31.89(810) | 31.89(810) | 52.48(1333) | 52.48(1333) | 52.48(1333) |
| Width (W) | in (mm) | 35.04(890) | 37.24(946) | 37.24(946) | 37.24(946) | 37.48(952) | 37.48(952) | 37.48(952) |
| Depth (D) | in (mm) | 13.46(342) | 16.14(410) | 16.14(410) | 16.14(410) | 16.34(415) | 16.34(415) | 16.34(415) |
| Weight - Net | lbs. (kg) | 100.31(45.5) | 139.77(63.4) | 169.09(76.7) | 169.09(76.7) | 223.1(101.2) | 225.5(102.3) | 238.32(108.1) |
| PACKAGING | | | | | | | | |
| Height | in (mm) | 29.53(750) | 34.84(885) | 34.84(885) | 34.84(885) | 58.27(1480) | 58.27(1480) | 58.27(1480) |
| Width | in (mm) | 40.55(1030) | 42.91(1090) | 42.91(1090) | 42.91(1090) | 43.11(1095) | 43.11(1095) | 43.11(1095) |
| Depth | in (mm) | 17.24(438) | 19.69(500) | 19.69(500) | 19.69(500) | 19.49(495) | 19.49(495) | 19.49(495) |
| Weight-Gross | lbs. (kg) | 108.69(49.3) | 150.57(68.3) | 181.44(82.3) | 181.44(82.3) | 254(115.2) | 256.6(116.4) | 269.84(122.4) |
| Carton Drawing No. | -- | ZXW-1015*423*715S-NS(V4) | ZXW-1075*485*860S-NS(V4) | ZXW-1075*485*860S-NS(V4) | ZXW-1075*485*860S-NS(V4) | ZXW-1080*480*1365S-NS1 | ZXW-1080*480*1365S-NS1 | ZXW-1080*480*1365S-NS1 |
| Carton Material | -- | Corrugated fiber board | | | | | | |
| Material Thickness | in (mm) | 0.28 (7) | 0.28 (7) | 0.28 (7) | 0.28 (7) | 0.28 (7) | 0.28 (7) | 0.28 (7) |

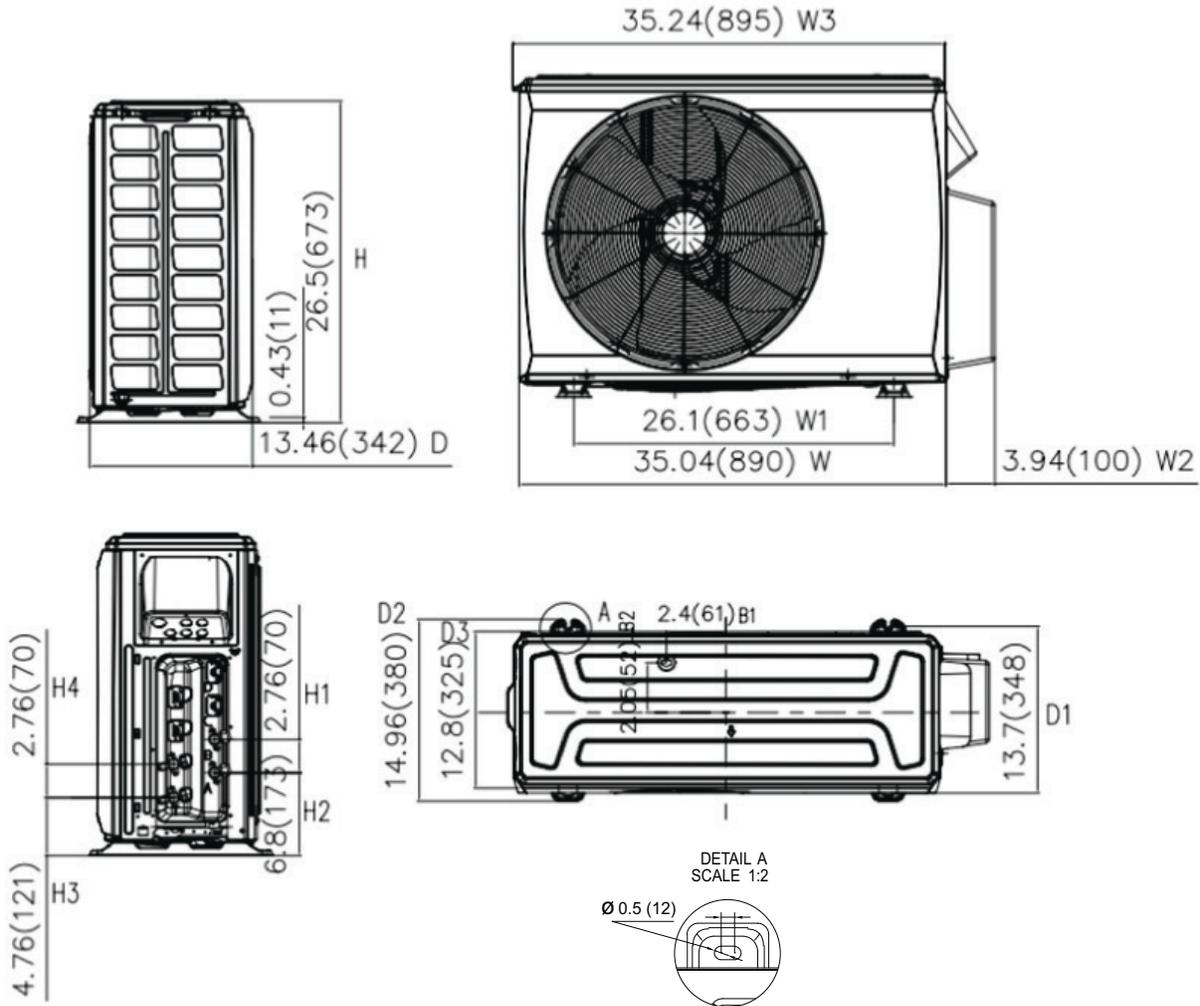
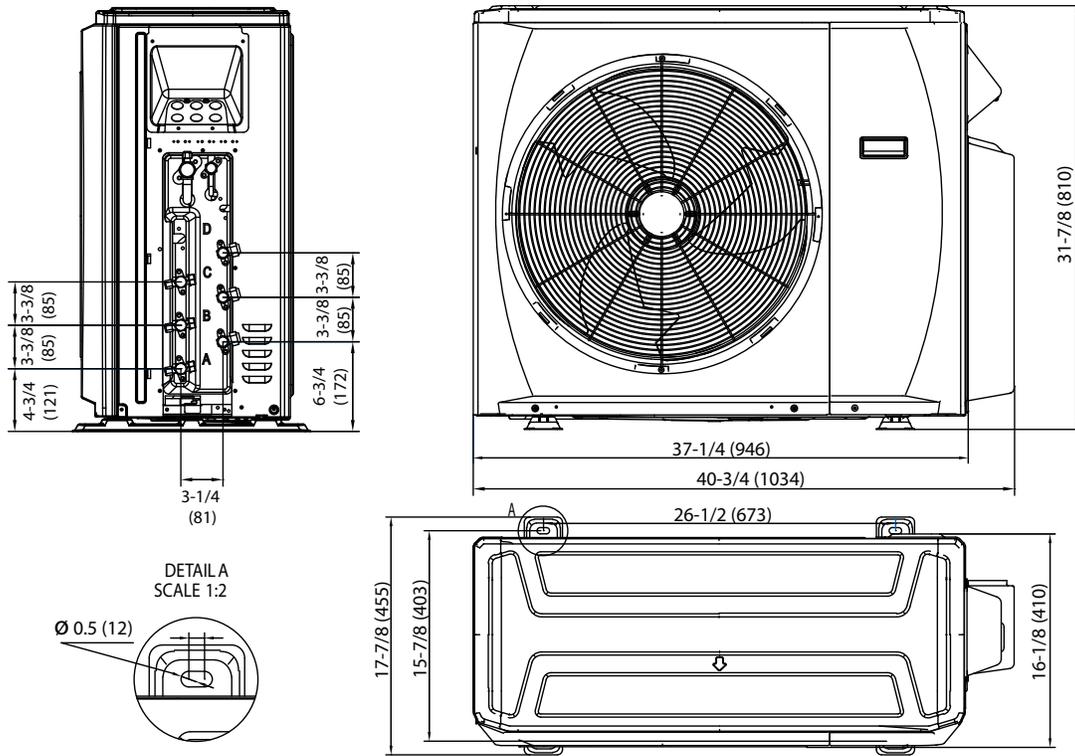


Fig. 4 — Outdoor Dimensions Size 18R (Standard)

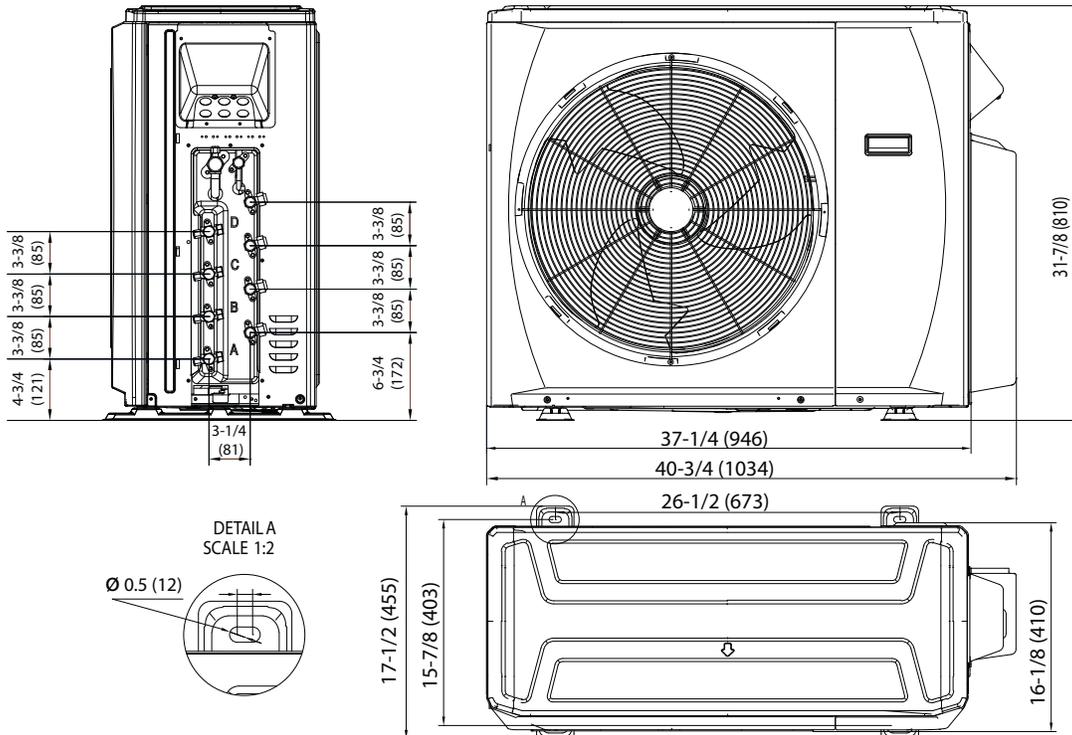
NOTE: Master valves are not available on the 18R unit.

DIMENSIONS (CONT)



Dimensions: shown in inches (mm)

Fig. 5 — Outdoor Dimensions Size 24HH (High Heat)



Dimensions: shown in inches (mm)

Fig. 6 — Outdoor Dimensions Sizes 30HH (High Heat) and 36R (Standard)

DIMENSIONS (CONT)

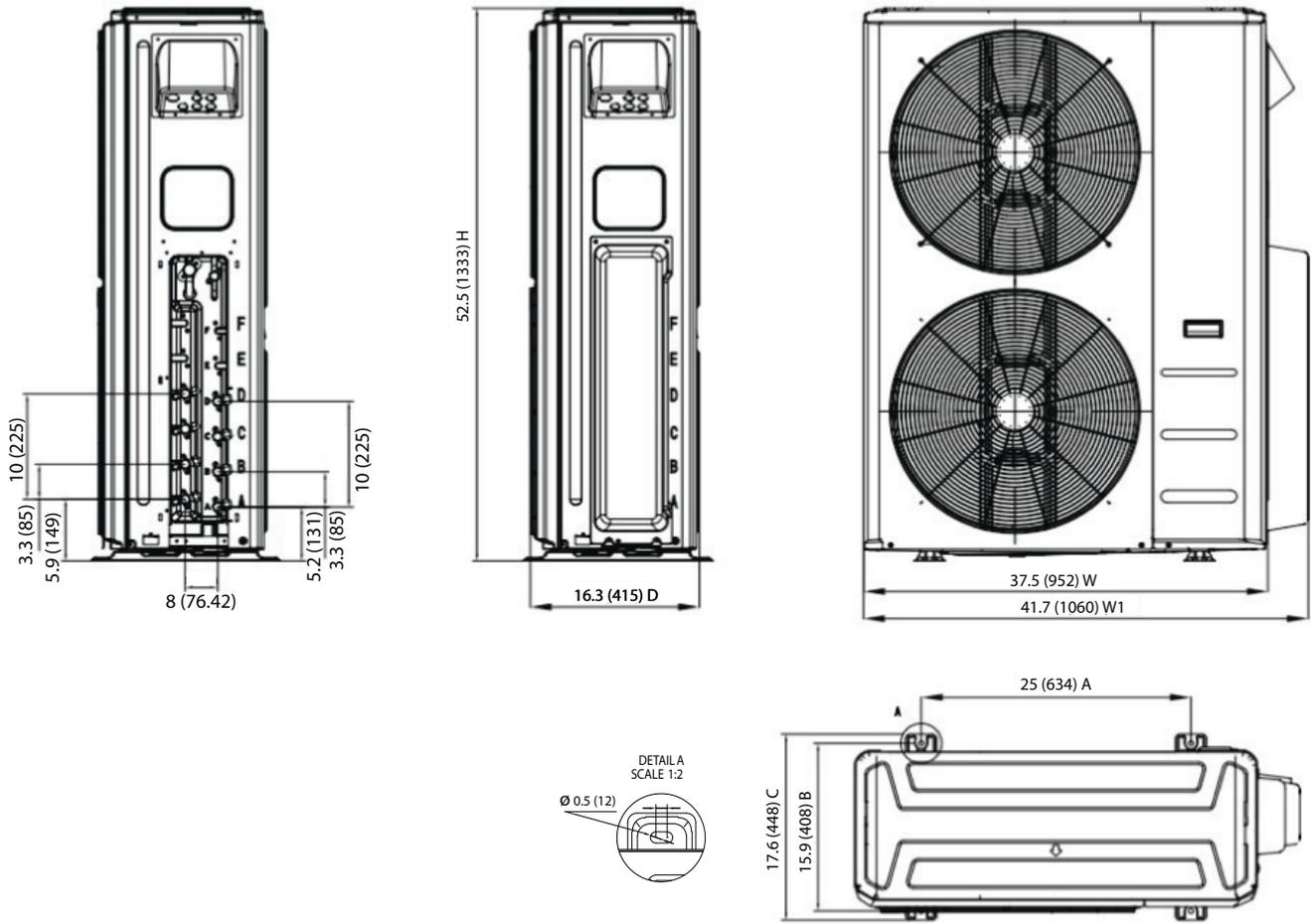


Fig. 7 — Outdoor Dimensions Size 36HH (High Heat), 48R (Standard), and 48HH (High Heat)

CLEARANCES

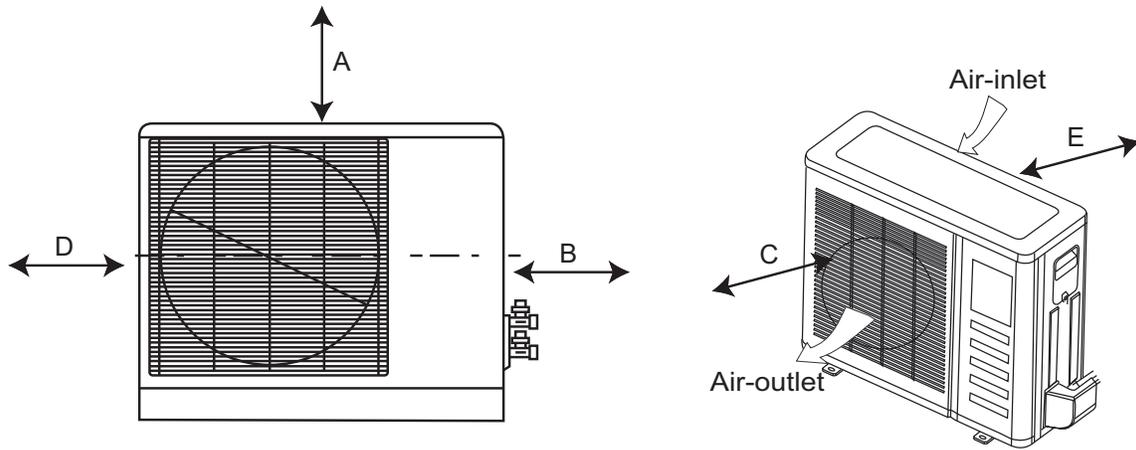


Fig. 8 — Clearances

| UNIT | MINIMUM VALUE in. (mm) |
|------|------------------------|
| A | 24 (609) |
| B | 24 (609) |
| C | 24 (609) |
| D | 4 (101) |
| E | 6 (152) |

NOTE: The outdoor unit must be mounted at least 2in (50mm) above the maximum anticipated snow depth.

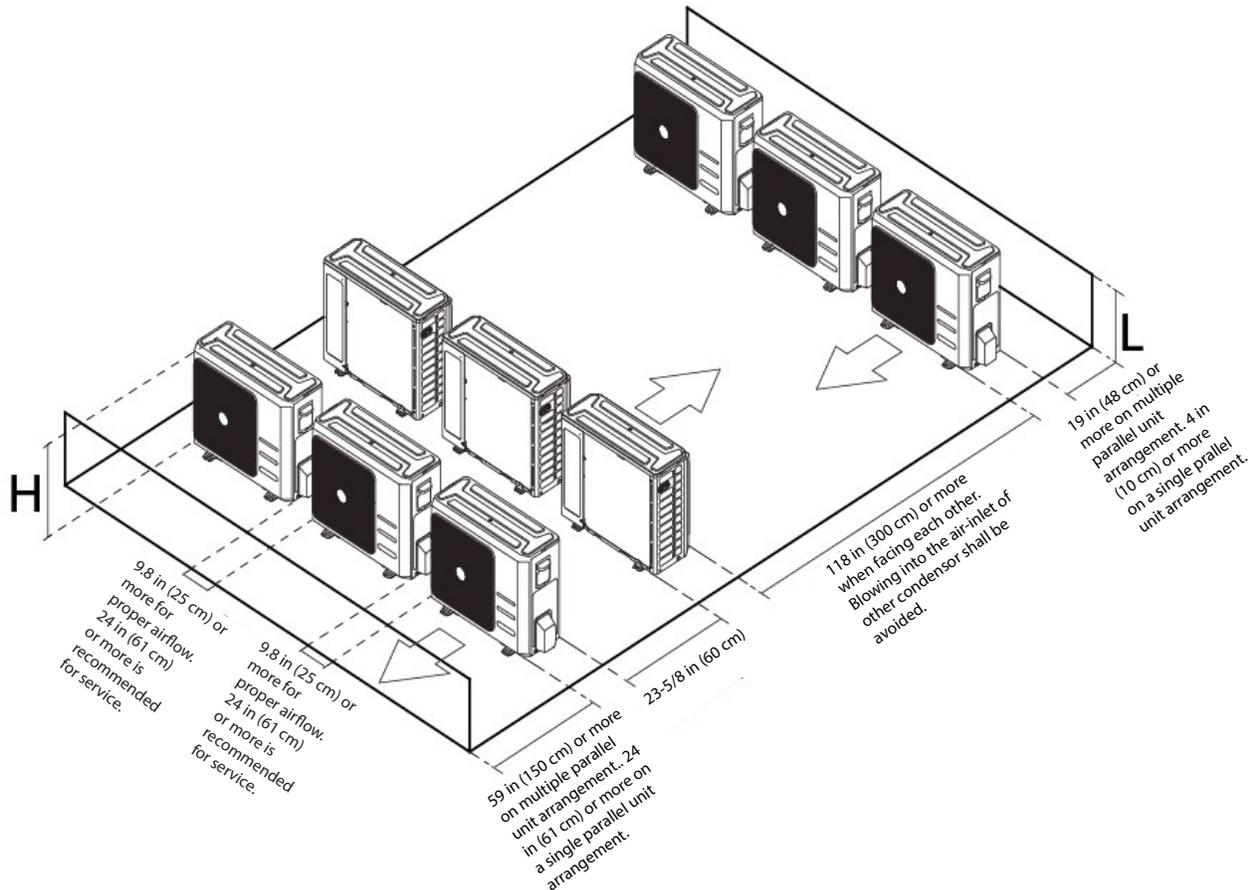


Fig. 9 — Clearances for multiple units

PHYSICAL DATA

| SYSTEM | SIZE | | 18R | 24HH | 30HH | 36R | 36HH | 48R | 48HH |
|-----------------|--------------------------------|----------|---------------------------------------|-------------------|-------------------------------|-------------------|----------------------------------|-------------------------------|-------------------|
| | Max Zone Number | | 2 | 3 | 4 | 4 | 4 | 5 | 5 |
| OPERATING RANGE | Cooling Outdoor DB Min - Max | °F(°C) | 5~122 (-30~50) | | | | | | |
| | Heating Outdoor DB Min - Max | °F(°C) | -13~75 (-30~24) | -22~75 (-30~24) | -22~75 (-30~24) | -13~75 (-30~24) | -22~75 (-30~24) | -13~75 (-30~24) | -22~75 (-30~24) |
| PIPING | Total Piping Length | ft (m) | 131 (40) | 197 (60) | 262 (80) | 262 (80) | 262 (80) | 328 (100) | 328 (100) |
| | Piping to furthest FCU | ft (m) | 82 (25) | 98 (30) | 115 (35) | 115 (35) | 115 (35) | 115 (35) | 115 (35) |
| | Drop (OD above ID) | ft (m) | 49 (15) | 49 (15) | 49 (15) | 49 (15) | 65 (20) | 65 (20) | 65 (20) |
| | Lift (OD below ID) | ft (m) | 49 (15) | 49 (15) | 49 (15) | 49 (15) | 65 (20) | 65 (20) | 65 (20) |
| | Pipe Connection Size - Liquid | in (mm) | 1/4*2 (6.35*2) | 1/4*3 (6.35*3) | 1/4*4 (6.35*4) | 1/4*4 (6.35*4) | 1/4*4 (6.35*4) | 1/4*5 (6.35*5) | 1/4*5 (6.35*5) |
| | Pipe Connection Size - Suction | in (mm) | 3/8*2 (9.52*2) | 3/8*3 (9.52*3) | 1/2 *1+ 3/8*3 (12.7*1+9.52*3) | | 1/2 *2+ 3/8*2 (12.7*2+9.52*2) | 1/2 *2+ 3/8*3 (12.7*2+9.52*3) | |
| REFRIGERANT | Type | | R410A | | | | | | |
| | Charge | lbs (kg) | 4.08 (1.85) | 5.73 (2.6) | 8.38 (3.8) | 8.38 (3.8) | 10.14 (4.6) | 10.14 (4.6) | 10.14 (4.6) |
| | Metering Device | | EXV | | | | | | |
| ELECTRICAL | Voltage, Phase, Cycle | V/Ph/Hz | 208/230-1-60 | | | | | | |
| | Power Supply | | Indoor unit powered from outdoor unit | | | | | | |
| | MCA | A. | 18 | 24.5 | 25 | 25 | 40 | 40 | 40 |
| | Recommended Fuse Size | A. | 20 | 25 | 30 | 30 | 45 | 45 | 45 |
| | MOCP - Fuse Rating | A. | 25 | 30 | 40 | 40 | 60 | 60 | 60 |
| COMPRESSOR | Type | | Rotary Inverter | | | | | | |
| | Model | | KTN150D30UFZA | KTM240D43UKT | KTF310D43UMT | KTF310D43UMT | ATQ360D1UMU | ATQ360D1UMU | EAPQ420D1U-MUA |
| | Oil Type | | ESTER OIL VG74 | | | | | | |
| | Oil Charge | Fl. Oz. | 15.2 | 21 | 33.8 | 33.8 | 47.4 | 47.4 | 49.4 |
| | Rated Current | RLA | 11 | 14 | 18 | 18 | 24 | 24 | 30 |
| OUTDOOR | Unit Width | in (mm) | 35.04 (890) | 37.24 (946) | 37.24 (946) | 37.24 (946) | 37.48 (952) | 37.48 (952) | 37.48 (952) |
| | Unit Height | in (mm) | 26.50 (673) | 31.89 (810) | 31.89 (810) | 31.89 (810) | 52.48 (1333) | 52.48 (1333) | 52.48 (1333) |
| | Unit Depth | in (mm) | 13.46 (342) | 16.14 (410) | 16.14 (410) | 16.14 (410) | 16.34 (415) | 16.34 (415) | 16.34 (415) |
| | Net Weight | lbs (kg) | 100.31 (45.5) | 139.77 (63.4) | 169.09 (76.7) | 169.09 (76.7) | 223.1 (101.2) | 225.5 (102.3) | 238.32 (108.1) |
| | Airflow | CFM | 1,765 | 2,129 | 2,147 | 2,147 | 4,500 | 4,500 | 4,500 |
| | Sound Pressure | dB(A) | 59 | 61 | 63 | 63 | 64 | 64 | 65 |

PERFORMANCE

| System | Size | 18R | 24HH | 30HH | 36R | 36HH | 48R | 48HH |
|---|------------------------------|--------------------|--------------|--------------|--------------|---------------|---------------|---------------|
| | Outdoor Model | 38MGRBQ18BA3 | 38MGHBQ24CA3 | 38MGHBQ30DA3 | 38MGRBQ36DA3 | 38MGHBQ36DA3 | 38MGRBQ48EA3 | 38MGHBQ48EA3 |
| | Max Number of Zones | 2 | 3 | 4 | 4 | 4 | 5 | 5 |
| Performance Non-Ducted | Energy Star | YES | YES | YES | NO | YES | YES | NO |
| | Cooling System Tons | 1.5 | 2 | 2.5 | 3 | 3 | 4 | 4 |
| | Cooling Rated Cap. | Btu/h 18,000 | 24,000 | 30,000 | 36,000 | 36,000 | 48,000 | 48,000 |
| | Cooling Cap. Range Min - Max | Btu/h 5,600~22,000 | 9,500~32,100 | 9,400~41,800 | 8,200~41,600 | 9,600~45,100 | 9,900~53,200 | 9,700~53,300 |
| | SEER | Btu/h 22.5 | 24.1 | 25 | 23 | 21.8 | 22.4 | 21.5 |
| | SEER2 | Btu/h 22.9 | 24.6 | 26 | 23.9 | 22.2 | 23.4 | 21.8 |
| | EER | Btu/h 13.3 | 13.1 | 12.5 | 11.5 | 13.6 | 12.5 | 11.6 |
| | EER2 (DOE A2 - 95°F) | Btu/h 13.9 | 13.4 | 13 | 11.7 | 13.6 | 12.5 | 11.7 |
| | EER2 (DOE B2 - 82°F) | Btu/h 18.7 | 17.33 | 18.5 | 14.4 | 18 | 15 | 14 |
| | Heating Rated Cap. (47°F) | Btu/h 19,000 | 25,000 | 30,000 | 37,000 | 36,500 | 48,000 | 49,000 |
| | Heating Rated Cap. (17°F) | Btu/h 11,000 | 16,300 | 17,500 | 23,500 | 23,200 | 29,600 | 30,000 |
| | Heating Rated Cap. (5°F) | Btu/h 12,400 | 18,300 | 23,300 | 23,900 | 29,500 | 29,500 | 48,000 |
| | Heating Max. Cap. (5°F) | Btu/h 12,400 | 23,000 | 29,400 | 23,900 | 36,000 | 36,000 | 48,000 |
| | Heating Cap. Range Min - Max | Btu/h 5,000~24,400 | 8,400~34,000 | 8,100~41,400 | 8,000~44,700 | 12,500~49,000 | 12,500~52,000 | 11,500~58,000 |
| | HSPF | 10.6 | 11 | 11.3 | 11.3 | 11 | 11 | 11 |
| | COP (47°F) | W/W 3.92 | 4.1 | 3.81 | 3.61 | 3.85 | 3.6 | 3.59 |
| | COP (17°F) | W/W 2.78 | 2.8 | 2.82 | 2.64 | 2.78 | 2.6 | 2.5 |
| COP (5°F) - Rated | W/W 1.8 | 1.8 | 1.9 | 1.8 | 1.8 | 1.8 | 2 | |
| COP (5°F) - Maximum | W/W 1.75 | 1.75 | 1.9 | 1.75 | 1.75 | 1.75 | 2 | |
| Performance Combination Ducted and Non-Ducted | Energy Star | YES | YES | NO | NO | YES | NO | NO |
| | Cooling System Tons | 1.5 | 2 | 2.5 | 3 | 3 | 4 | 4 |
| | Cooling Rated Cap. | Btu/h 18,000 | 24,000 | 30,000 | 36,000 | 36,000 | 48,000 | 48,000 |
| | Cooling Cap. Range Min - Max | Btu/h 4,700~22,200 | 7,800~31,400 | 8,700~40,700 | 8,400~41,400 | 9,700~43,200 | 10,200~53,600 | 9,900~53,400 |
| | SEER | Btu/h 20.8 | 22.6 | 22.4 | 21.3 | 20.4 | 21.5 | 20.9 |
| | SEER2 | Btu/h 19 | 21.3 | 20 | 20 | 19 | 20.5 | 20.9 |
| | EER | Btu/h 12.7 | 12.8 | 12.1 | 11.3 | 12.5 | 11.3 | 11.5 |
| | EER2 (DOE A2 - 95°F) | Btu/h 12 | 12.5 | 12 | 11 | 11.7 | 10.8 | 11.7 |
| | EER2 (DOE B2 - 82°F) | Btu/h 15.6 | 15.5 | 15 | 13.7 | 15 | 12.5 | 14 |
| | Heating Rated Cap. (47°F) | Btu/h 19,000 | 24,500 | 30,000 | 37,000 | 36,750 | 49,000 | 49,500 |
| | Heating Rated Cap. (17°F) | Btu/h 11,350 | 15,650 | 17,900 | 23,250 | 23,100 | 29,300 | 29,000 |
| | Heating Rated Cap. (5°F) | Btu/h 12,700 | 18,000 | 23,500 | 23,900 | 28,700 | 28,700 | 48,000 |
| | Heating Max. Cap. (5°F) | Btu/h 12,700 | 22,000 | 29,000 | 23,900 | 36,000 | 36,000 | 48,000 |
| | Heating Cap. Range Min - Max | Btu/h 4,600~25,100 | 7,800~33,800 | 7,385~42,300 | 7,400~45,700 | 12,900~48,000 | 14,000~54,000 | 11,750~58,500 |
| | HSPF | 10.7 | 10.8 | 10.7 | 11 | 11 | 10.6 | 10.8 |
| | COP (47°F) | W/W 3.86 | 3.96 | 3.81 | 3.61 | 3.8 | 3.59 | 3.73 |
| | COP (17°F) | W/W 2.78 | 2.85 | 2.79 | 2.64 | 2.65 | 2.61 | 2.48 |
| COP (5°F) - Rated | W/W 1.75 | 1.85 | 1.88 | 1.72 | 1.7 | 1.7 | 1.9 | |
| COP (5°F) - Maximum | W/W 1.75 | 1.85 | 1.88 | 1.72 | 1.8 | 1.8 | 1.9 | |
| Performance Ducted | Energy Star | NO | YES | NO | NO | NO | NO | NO |
| | Cooling System Tons | 1.5 | 2 | 2.5 | 3 | 3 | 4 | 4 |
| | Cooling Rated Cap. | Btu/h 18,000 | 24,000 | 30,000 | 36,000 | 36,000 | 48,000 | 48,000 |
| | Cooling Cap. Range Min - Max | Btu/h 3,800~22,400 | 6,100~30,700 | 8,100~39,500 | 8,700~41,300 | 9,800~47,000 | 10,500~54,000 | 10,200~53,500 |
| | SEER | 19 | 21.1 | 19.8 | 19.5 | 19 | 20.5 | 20.2 |
| | SEER2 | 21.0 | 22.95 | 23.00 | 21.95 | 20.60 | 21.95 | 21.35 |
| | EER | 12 | 12.5 | 11.6 | 11 | 11.3 | 10.1 | 11.4 |
| | EER2 (DOE A2 - 95°F) | 12.95 | 12.95 | 12.50 | 11.35 | 12.65 | 11.65 | 11.70 |
| | EER2 (DOE B2 - 82°F) | 17.15 | 16.42 | 16.75 | 14.05 | 16.40 | 13.75 | 14.00 |
| | Heating Rated Cap. (47°F) | Btu/h 19,000 | 24,000 | 30,000 | 37,000 | 37,000 | 50,000 | 50,000 |
| | Heating Rated Cap. (17°F) | Btu/h 11,700 | 15,000 | 18,300 | 23,000 | 23,000 | 29,000 | 28,000 |
| | Heating Rated Cap. (5°F) | Btu/h 13,000 | 17,500 | 23,600 | 24,000 | 28,000 | 28,000 | 48,000 |
| | Heating Max. Cap. (5°F) | Btu/h 13,000 | 21,500 | 28,600 | 24,000 | 36,000 | 36,000 | 48,000 |
| | Heating Cap. Range Min - Max | Btu/h 4,300~25,800 | 7,300~33,700 | 6,600~43,200 | 6,900~46,700 | 13,300~47,000 | 15,500~56,000 | 12,000~59,000 |
| | HSPF | 10.8 | 10.5 | 10 | 10.7 | 11 | 10.1 | 10.5 |
| | COP (47°F) | W/W 3.8 | 3.81 | 3.81 | 3.6 | 3.74 | 3.57 | 3.86 |
| | COP (17°F) | W/W 2.78 | 2.85 | 2.75 | 2.64 | 2.52 | 2.62 | 2.45 |
| COP (5°F) - Rated | W/W 1.75 | 1.95 | 1.85 | 1.68 | 1.7 | 1.7 | 1.85 | |
| COP (5°F) - Maximum | W/W 1.75 | 1.95 | 1.85 | 1.68 | 1.8 | 1.8 | 1.85 | |

NOTE: See the current compatibility chart for a list of the indoor and outdoor unit match ups.

COOLING PERFORMANCE NON-DUCTED

“COOLING PERFORMANCE 18R (STANDARD)” on page 11

“COOLING PERFORMANCE 24HH (HIGH HEAT)” on page 15

“COOLING PERFORMANCE 30HH (HIGH HEAT).” on page 19

“COOLING PERFORMANCE 36R (STANDARD)” on page 23

“COOLING PERFORMANCE 36HH (HIGHT HEAT)” on page 27

“COOLING PERFORMANCE 48R (STANDARD)” on page 31

“COOLING PERFORMANCE 48HH (HIGH HEAT)” on page 35

COOLING PERFORMANCE 18R (STANDARD)

NON-DUCTED COOLING PERFORMANCE 18R (Sheet 1 of 4)

| AIRFLOW (CFM) | OUTDOOR DB (°F) | ID WB (°F) ID DB (°F) | 60.8 | | | | 64.4 | | | | 66.2 | | | | 71.6 | | | |
|------------------|--------------------|--------------------------|-------|-------|-------|-------|-------|-------|-------|-------|-------|-------|-------|-------|-------|-------|-------|-------|
| | | | 73.4 | 77.0 | 80.6 | 84.2 | 73.4 | 77.0 | 80.6 | 84.2 | 73.4 | 77.0 | 80.0 | 84.20 | 73.4 | 77.0 | 80.6 | 84.2 |
| | | | | | | | | | | | | | | | | | | |
| 328 | -22 | TC | 10710 | 10724 | 10736 | 10750 | 11353 | 11367 | 11380 | 11394 | 12032 | 12047 | 12063 | 12076 | 12757 | 12771 | 12787 | 12803 |
| | | S/T | 0.22 | 0.25 | 0.29 | 0.33 | 0.23 | 0.27 | 0.31 | 0.35 | 0.24 | 0.28 | 0.32 | 0.37 | 0.26 | 0.30 | 0.34 | 0.39 |
| | | PI | 0.64 | 0.64 | 0.64 | 0.64 | 0.68 | 0.68 | 0.68 | 0.68 | 0.72 | 0.72 | 0.72 | 0.72 | 0.76 | 0.76 | 0.76 | 0.76 |
| | -10 | TC | 10630 | 10645 | 10657 | 10671 | 11269 | 11283 | 11296 | 11309 | 11943 | 11958 | 11974 | 11987 | 12663 | 12676 | 12692 | 12708 |
| | | S/T | 0.22 | 0.26 | 0.29 | 0.33 | 0.23 | 0.27 | 0.31 | 0.35 | 0.24 | 0.29 | 0.33 | 0.37 | 0.26 | 0.30 | 0.35 | 0.39 |
| | | PI | 0.65 | 0.65 | 0.65 | 0.65 | 0.69 | 0.69 | 0.69 | 0.69 | 0.73 | 0.73 | 0.73 | 0.73 | 0.77 | 0.77 | 0.77 | 0.77 |
| | 0 | TC | 10564 | 10579 | 10590 | 10605 | 11199 | 11213 | 11226 | 11239 | 11869 | 11884 | 11899 | 11913 | 12584 | 12598 | 12613 | 12629 |
| | | S/T | 0.22 | 0.26 | 0.29 | 0.33 | 0.23 | 0.27 | 0.31 | 0.35 | 0.25 | 0.29 | 0.33 | 0.37 | 0.26 | 0.31 | 0.35 | 0.40 |
| | | PI | 0.65 | 0.65 | 0.65 | 0.66 | 0.69 | 0.69 | 0.69 | 0.69 | 0.73 | 0.73 | 0.74 | 0.74 | 0.78 | 0.78 | 0.78 | 0.78 |
| | 5 | TC | 10531 | 10546 | 10557 | 10572 | 11164 | 11178 | 11191 | 11204 | 11831 | 11847 | 11862 | 11875 | 12545 | 12558 | 12574 | 12590 |
| | | S/T | 0.22 | 0.26 | 0.29 | 0.33 | 0.23 | 0.27 | 0.31 | 0.35 | 0.25 | 0.29 | 0.33 | 0.37 | 0.26 | 0.31 | 0.35 | 0.40 |
| | | PI | 0.66 | 0.66 | 0.66 | 0.66 | 0.70 | 0.70 | 0.70 | 0.70 | 0.74 | 0.74 | 0.74 | 0.74 | 0.78 | 0.78 | 0.78 | 0.78 |
| | 14 | TC | 10472 | 10486 | 10498 | 10512 | 11101 | 11115 | 11128 | 11141 | 11765 | 11780 | 11795 | 11809 | 12474 | 12488 | 12503 | 12519 |
| | | S/T | 0.22 | 0.26 | 0.29 | 0.34 | 0.23 | 0.27 | 0.31 | 0.36 | 0.25 | 0.29 | 0.33 | 0.38 | 0.26 | 0.31 | 0.35 | 0.40 |
| | | PI | 0.66 | 0.66 | 0.66 | 0.66 | 0.70 | 0.70 | 0.70 | 0.70 | 0.74 | 0.75 | 0.75 | 0.75 | 0.79 | 0.79 | 0.79 | 0.79 |
| | 17 | TC | 10452 | 10466 | 10478 | 10492 | 11080 | 11094 | 11107 | 11120 | 11743 | 11758 | 11773 | 11786 | 12450 | 12464 | 12479 | 12495 |
| | | S/T | 0.22 | 0.26 | 0.29 | 0.34 | 0.23 | 0.27 | 0.31 | 0.36 | 0.25 | 0.29 | 0.33 | 0.38 | 0.26 | 0.31 | 0.35 | 0.40 |
| | | PI | 0.66 | 0.67 | 0.67 | 0.67 | 0.70 | 0.71 | 0.71 | 0.71 | 0.75 | 0.75 | 0.75 | 0.75 | 0.79 | 0.79 | 0.79 | 0.79 |
| | 23 | TC | 10426 | 10440 | 10452 | 10466 | 11052 | 11066 | 11079 | 11092 | 11713 | 11728 | 11743 | 11756 | 12419 | 12432 | 12448 | 12463 |
| | | S/T | 0.22 | 0.26 | 0.30 | 0.34 | 0.24 | 0.28 | 0.31 | 0.36 | 0.25 | 0.29 | 0.33 | 0.38 | 0.26 | 0.31 | 0.35 | 0.40 |
| | | PI | 0.67 | 0.67 | 0.67 | 0.67 | 0.71 | 0.71 | 0.71 | 0.71 | 0.75 | 0.75 | 0.75 | 0.75 | 0.79 | 0.80 | 0.80 | 0.80 |
| | 32 | TC | 10386 | 10400 | 10412 | 10426 | 11010 | 11023 | 11037 | 11050 | 11668 | 11684 | 11699 | 11712 | 12372 | 12385 | 12401 | 12416 |
| | | S/T | 0.22 | 0.26 | 0.30 | 0.34 | 0.24 | 0.28 | 0.31 | 0.36 | 0.25 | 0.29 | 0.33 | 0.38 | 0.27 | 0.31 | 0.35 | 0.40 |
| | | PI | 0.67 | 0.67 | 0.67 | 0.67 | 0.71 | 0.71 | 0.71 | 0.71 | 0.75 | 0.76 | 0.76 | 0.76 | 0.80 | 0.80 | 0.80 | 0.80 |
| | 41 | TC | 10333 | 10347 | 10359 | 10373 | 10954 | 10967 | 10980 | 10993 | 11609 | 11624 | 11639 | 11652 | 12309 | 12322 | 12338 | 12353 |
| | | S/T | 0.22 | 0.26 | 0.30 | 0.34 | 0.24 | 0.28 | 0.32 | 0.36 | 0.25 | 0.30 | 0.34 | 0.38 | 0.27 | 0.31 | 0.36 | 0.41 |
| | | PI | 0.68 | 0.68 | 0.68 | 0.68 | 0.72 | 0.72 | 0.72 | 0.72 | 0.76 | 0.76 | 0.76 | 0.76 | 0.81 | 0.81 | 0.81 | 0.81 |
| | 47 | TC | 10294 | 10308 | 10319 | 10333 | 10913 | 10925 | 10938 | 10951 | 11565 | 11580 | 11595 | 11608 | 12262 | 12275 | 12290 | 12306 |
| | | S/T | 0.22 | 0.26 | 0.30 | 0.34 | 0.24 | 0.28 | 0.32 | 0.36 | 0.25 | 0.30 | 0.34 | 0.38 | 0.27 | 0.31 | 0.36 | 0.41 |
| | | PI | 0.68 | 0.68 | 0.68 | 0.68 | 0.72 | 0.72 | 0.72 | 0.72 | 0.76 | 0.77 | 0.77 | 0.77 | 0.81 | 0.81 | 0.81 | 0.81 |
| | 50 | TC | 10287 | 10300 | 10312 | 10326 | 10905 | 10918 | 10931 | 10944 | 11557 | 11572 | 11587 | 11600 | 12253 | 12267 | 12282 | 12297 |
| | | S/T | 0.23 | 0.26 | 0.30 | 0.34 | 0.24 | 0.28 | 0.32 | 0.36 | 0.25 | 0.30 | 0.34 | 0.38 | 0.27 | 0.31 | 0.36 | 0.41 |
| | | PI | 0.68 | 0.68 | 0.68 | 0.68 | 0.72 | 0.72 | 0.72 | 0.72 | 0.77 | 0.77 | 0.77 | 0.77 | 0.81 | 0.81 | 0.81 | 0.81 |
| | 59 | TC | 10265 | 10279 | 10290 | 10304 | 10882 | 10895 | 10908 | 10921 | 11532 | 11547 | 11562 | 11575 | 12228 | 12241 | 12256 | 12271 |
| | | S/T | 0.23 | 0.27 | 0.30 | 0.34 | 0.24 | 0.28 | 0.32 | 0.36 | 0.25 | 0.30 | 0.34 | 0.39 | 0.27 | 0.32 | 0.36 | 0.41 |
| | | PI | 0.68 | 0.68 | 0.69 | 0.69 | 0.72 | 0.73 | 0.73 | 0.73 | 0.77 | 0.77 | 0.77 | 0.77 | 0.81 | 0.82 | 0.82 | 0.82 |
| 68 | TC | 10244 | 10257 | 10269 | 10283 | 10859 | 10872 | 10885 | 10898 | 11508 | 11523 | 11538 | 11551 | 12202 | 12215 | 12230 | 12246 | |
| | S/T | 0.23 | 0.27 | 0.30 | 0.35 | 0.24 | 0.28 | 0.32 | 0.37 | 0.26 | 0.30 | 0.34 | 0.39 | 0.27 | 0.32 | 0.36 | 0.41 | |
| | PI | 0.69 | 0.69 | 0.69 | 0.69 | 0.73 | 0.73 | 0.73 | 0.73 | 0.77 | 0.77 | 0.77 | 0.77 | 0.82 | 0.82 | 0.82 | 0.82 | |
| 77 | TC | 10222 | 10236 | 10247 | 10261 | 10836 | 10849 | 10862 | 10875 | 11484 | 11499 | 11514 | 11527 | 12176 | 12189 | 12205 | 12220 | |
| | S/T | 0.23 | 0.27 | 0.31 | 0.35 | 0.25 | 0.29 | 0.33 | 0.38 | 0.26 | 0.31 | 0.35 | 0.40 | 0.28 | 0.33 | 0.37 | 0.42 | |
| | PI | 0.69 | 0.69 | 0.69 | 0.69 | 0.73 | 0.73 | 0.73 | 0.73 | 0.77 | 0.77 | 0.77 | 0.78 | 0.82 | 0.82 | 0.82 | 0.82 | |
| 86 | TC | 10075 | 10089 | 10100 | 10114 | 10681 | 10693 | 10706 | 10719 | 11319 | 11334 | 11348 | 11361 | 12001 | 12014 | 12029 | 12044 | |
| | S/T | 0.24 | 0.28 | 0.32 | 0.36 | 0.25 | 0.29 | 0.33 | 0.38 | 0.27 | 0.31 | 0.35 | 0.40 | 0.28 | 0.33 | 0.38 | 0.43 | |
| | PI | 0.79 | 0.79 | 0.79 | 0.79 | 0.83 | 0.83 | 0.84 | 0.84 | 0.88 | 0.88 | 0.89 | 0.89 | 0.94 | 0.94 | 0.94 | 0.94 | |
| 95 | TC | 10025 | 10038 | 10049 | 10063 | 10627 | 10640 | 10652 | 10665 | 11262 | 11277 | 11291 | 11304 | 11941 | 11954 | 11969 | 11984 | |
| | S/T | 0.24 | 0.28 | 0.32 | 0.37 | 0.26 | 0.30 | 0.34 | 0.39 | 0.27 | 0.32 | 0.36 | 0.41 | 0.29 | 0.34 | 0.39 | 0.44 | |
| | PI | 0.81 | 0.81 | 0.81 | 0.81 | 0.86 | 0.86 | 0.86 | 0.86 | 0.91 | 0.91 | 0.91 | 0.91 | 0.97 | 0.97 | 0.97 | 0.97 | |
| 104 | TC | 7718 | 7729 | 7737 | 7748 | 8182 | 8192 | 8202 | 8211 | 8671 | 8682 | 8694 | 8703 | 9194 | 9204 | 9215 | 9227 | |
| | S/T | 0.25 | 0.30 | 0.34 | 0.39 | 0.27 | 0.32 | 0.36 | 0.41 | 0.29 | 0.34 | 0.38 | 0.43 | 0.30 | 0.36 | 0.40 | 0.46 | |
| | PI | 1.69 | 1.69 | 1.69 | 1.69 | 1.79 | 1.79 | 1.79 | 1.79 | 1.89 | 1.90 | 1.90 | 1.90 | 2.01 | 2.01 | 2.01 | 2.02 | |
| 114.8 | TC | 4951 | 4958 | 4963 | 4970 | 5248 | 5255 | 5261 | 5267 | 5562 | 5569 | 5577 | 5583 | 5897 | 5904 | 5911 | 5919 | |
| | S/T | 0.26 | 0.30 | 0.34 | 0.39 | 0.27 | 0.32 | 0.36 | 0.42 | 0.29 | 0.34 | 0.39 | 0.44 | 0.31 | 0.36 | 0.41 | 0.47 | |
| | PI | 2.74 | 2.74 | 2.74 | 2.75 | 2.90 | 2.91 | 2.91 | 2.91 | 3.08 | 3.08 | 3.08 | 3.09 | 3.26 | 3.26 | 3.27 | 3.27 | |
| 122 | TC | 3106 | 3110 | 3114 | 3118 | 3293 | 3297 | 3300 | 3304 | 3489 | 3494 | 3498 | 3502 | 3700 | 3704 | 3708 | 3713 | |
| | S/T | 0.27 | 0.31 | 0.36 | 0.41 | 0.28 | 0.33 | 0.38 | 0.43 | 0.30 | 0.35 | 0.40 | 0.46 | 0.32 | 0.37 | 0.42 | 0.48 | |
| | PI | 3.44 | 3.44 | 3.45 | 3.45 | 3.64 | 3.65 | 3.65 | 3.66 | 3.86 | 3.87 | 3.87 | 3.88 | 4.10 | 4.10 | 4.10 | 4.11 | |

NON-DUCTED COOLING PERFORMANCE 18R (Sheet 2 of 4)

| AIRFLOW (CFM) | OUTDOOR DB (°F) | ID WB (°F) ID DB (°F) | 60.8 | | | | 64.4 | | | | 66.2 | | | | 71.6 | | | |
|------------------|--------------------|--------------------------|-------|-------|-------|-------|-------|-------|-------|-------|-------|-------|-------|-------|-------|-------|-------|-------|
| | | | 73.4 | 77.0 | 80.6 | 84.2 | 73.4 | 77.0 | 80.6 | 84.2 | 73.4 | 77.0 | 80.0 | 84.20 | 73.4 | 77.0 | 80.6 | 84.2 |
| | | | TC | S/T | PI | TC | S/T | PI | TC | S/T | PI | TC | S/T | PI | TC | S/T | PI | TC |
| 427 | -22 | TC | 13804 | 13823 | 13838 | 13857 | 14634 | 14651 | 14668 | 14686 | 15508 | 15528 | 15548 | 15566 | 16443 | 16461 | 16481 | 16502 |
| | | S/T | 0.32 | 0.38 | 0.43 | 0.49 | 0.34 | 0.40 | 0.45 | 0.52 | 0.36 | 0.42 | 0.48 | 0.55 | 0.38 | 0.45 | 0.51 | 0.58 |
| | | PI | 0.94 | 0.94 | 0.94 | 0.95 | 1.00 | 1.00 | 1.00 | 1.00 | 1.06 | 1.06 | 1.06 | 1.06 | 1.12 | 1.12 | 1.13 | 1.13 |
| | -10 | TC | 13702 | 13720 | 13736 | 13754 | 14525 | 14543 | 14560 | 14577 | 15393 | 15413 | 15433 | 15451 | 16321 | 16339 | 16359 | 16380 |
| | | S/T | 0.32 | 0.38 | 0.43 | 0.49 | 0.34 | 0.40 | 0.46 | 0.52 | 0.36 | 0.43 | 0.48 | 0.55 | 0.38 | 0.45 | 0.51 | 0.58 |
| | | PI | 0.95 | 0.96 | 0.96 | 0.96 | 1.01 | 1.01 | 1.01 | 1.02 | 1.07 | 1.07 | 1.07 | 1.08 | 1.14 | 1.14 | 1.14 | 1.14 |
| | 0 | TC | 13617 | 13635 | 13650 | 13669 | 14435 | 14452 | 14469 | 14487 | 15298 | 15318 | 15338 | 15355 | 16220 | 16238 | 16258 | 16278 |
| | | S/T | 0.32 | 0.38 | 0.43 | 0.49 | 0.34 | 0.40 | 0.46 | 0.52 | 0.36 | 0.43 | 0.49 | 0.55 | 0.39 | 0.45 | 0.52 | 0.59 |
| | | PI | 0.96 | 0.97 | 0.97 | 0.97 | 1.02 | 1.02 | 1.02 | 1.03 | 1.08 | 1.08 | 1.09 | 1.09 | 1.15 | 1.15 | 1.15 | 1.15 |
| | 5 | TC | 13574 | 13593 | 13608 | 13626 | 14390 | 14407 | 14424 | 14441 | 15250 | 15270 | 15290 | 15307 | 16169 | 16187 | 16207 | 16227 |
| | | S/T | 0.33 | 0.38 | 0.43 | 0.50 | 0.35 | 0.41 | 0.46 | 0.52 | 0.37 | 0.43 | 0.49 | 0.56 | 0.39 | 0.46 | 0.52 | 0.59 |
| | | PI | 0.97 | 0.97 | 0.97 | 0.97 | 1.03 | 1.03 | 1.03 | 1.03 | 1.09 | 1.09 | 1.09 | 1.09 | 1.15 | 1.16 | 1.16 | 1.16 |
| | 14 | TC | 13498 | 13516 | 13531 | 13549 | 14309 | 14326 | 14343 | 14360 | 15164 | 15184 | 15204 | 15220 | 16078 | 16096 | 16116 | 16136 |
| | | S/T | 0.33 | 0.38 | 0.44 | 0.50 | 0.35 | 0.41 | 0.46 | 0.53 | 0.37 | 0.43 | 0.49 | 0.56 | 0.39 | 0.46 | 0.52 | 0.59 |
| | | PI | 0.98 | 0.98 | 0.98 | 0.98 | 1.04 | 1.04 | 1.04 | 1.04 | 1.10 | 1.10 | 1.10 | 1.10 | 1.17 | 1.17 | 1.17 | 1.17 |
| | 17 | TC | 13472 | 13490 | 13505 | 13524 | 14282 | 14299 | 14316 | 14333 | 15135 | 15155 | 15175 | 15192 | 16048 | 16065 | 16085 | 16105 |
| | | S/T | 0.33 | 0.38 | 0.44 | 0.50 | 0.35 | 0.41 | 0.46 | 0.53 | 0.37 | 0.43 | 0.49 | 0.56 | 0.39 | 0.46 | 0.52 | 0.59 |
| | | PI | 0.98 | 0.98 | 0.98 | 0.98 | 1.04 | 1.04 | 1.04 | 1.04 | 1.10 | 1.10 | 1.11 | 1.11 | 1.17 | 1.17 | 1.17 | 1.17 |
| | 23 | TC | 13438 | 13456 | 13471 | 13490 | 14246 | 14263 | 14280 | 14297 | 15097 | 15117 | 15136 | 15153 | 16007 | 16025 | 16045 | 16065 |
| | | S/T | 0.33 | 0.39 | 0.44 | 0.50 | 0.35 | 0.41 | 0.46 | 0.53 | 0.37 | 0.43 | 0.49 | 0.56 | 0.39 | 0.46 | 0.52 | 0.60 |
| | | PI | 0.99 | 0.99 | 0.99 | 0.99 | 1.04 | 1.05 | 1.05 | 1.05 | 1.11 | 1.11 | 1.11 | 1.11 | 1.17 | 1.17 | 1.18 | 1.18 |
| | 32 | TC | 13387 | 13405 | 13420 | 13438 | 14192 | 14209 | 14225 | 14242 | 15040 | 15059 | 15079 | 15096 | 15947 | 15964 | 15984 | 16004 |
| | | S/T | 0.33 | 0.39 | 0.44 | 0.50 | 0.35 | 0.41 | 0.47 | 0.53 | 0.37 | 0.44 | 0.50 | 0.56 | 0.39 | 0.46 | 0.53 | 0.60 |
| | | PI | 0.99 | 0.99 | 0.99 | 0.99 | 1.05 | 1.05 | 1.05 | 1.05 | 1.11 | 1.11 | 1.12 | 1.12 | 1.18 | 1.18 | 1.18 | 1.18 |
| | 41 | TC | 13319 | 13337 | 13352 | 13370 | 14120 | 14136 | 14153 | 14170 | 14963 | 14983 | 15002 | 15019 | 15865 | 15883 | 15902 | 15922 |
| | | S/T | 0.33 | 0.39 | 0.44 | 0.51 | 0.35 | 0.41 | 0.47 | 0.54 | 0.37 | 0.44 | 0.50 | 0.57 | 0.40 | 0.46 | 0.53 | 0.60 |
| | | PI | 1.00 | 1.00 | 1.00 | 1.00 | 1.06 | 1.06 | 1.06 | 1.06 | 1.12 | 1.12 | 1.13 | 1.13 | 1.19 | 1.19 | 1.19 | 1.19 |
| | 47 | TC | 13268 | 13286 | 13301 | 13319 | 14066 | 14082 | 14099 | 14116 | 14906 | 14925 | 14945 | 14962 | 15805 | 15822 | 15842 | 15861 |
| | | S/T | 0.33 | 0.39 | 0.44 | 0.51 | 0.35 | 0.41 | 0.47 | 0.54 | 0.37 | 0.44 | 0.50 | 0.57 | 0.40 | 0.47 | 0.53 | 0.60 |
| | | PI | 1.01 | 1.01 | 1.01 | 1.01 | 1.07 | 1.07 | 1.07 | 1.07 | 1.13 | 1.13 | 1.13 | 1.13 | 1.20 | 1.20 | 1.20 | 1.20 |
| | 50 | TC | 13259 | 13277 | 13292 | 13310 | 14056 | 14072 | 14089 | 14106 | 14896 | 14915 | 14934 | 14951 | 15794 | 15811 | 15830 | 15850 |
| | | S/T | 0.33 | 0.39 | 0.45 | 0.51 | 0.35 | 0.42 | 0.47 | 0.54 | 0.38 | 0.44 | 0.50 | 0.57 | 0.40 | 0.47 | 0.53 | 0.60 |
| | | PI | 1.01 | 1.01 | 1.01 | 1.01 | 1.07 | 1.07 | 1.07 | 1.07 | 1.13 | 1.13 | 1.13 | 1.13 | 1.20 | 1.20 | 1.20 | 1.20 |
| | 59 | TC | 13231 | 13249 | 13264 | 13282 | 14026 | 14043 | 14060 | 14076 | 14864 | 14884 | 14903 | 14920 | 15761 | 15778 | 15797 | 15817 |
| | | S/T | 0.34 | 0.39 | 0.45 | 0.51 | 0.36 | 0.42 | 0.47 | 0.54 | 0.38 | 0.44 | 0.50 | 0.57 | 0.40 | 0.47 | 0.53 | 0.61 |
| | | PI | 1.01 | 1.01 | 1.01 | 1.01 | 1.07 | 1.07 | 1.07 | 1.07 | 1.13 | 1.14 | 1.14 | 1.14 | 1.20 | 1.20 | 1.21 | 1.21 |
| | 68 | TC | 13203 | 13221 | 13236 | 13254 | 13997 | 14013 | 14030 | 14047 | 14833 | 14853 | 14872 | 14888 | 15727 | 15745 | 15764 | 15784 |
| | | S/T | 0.34 | 0.40 | 0.45 | 0.51 | 0.36 | 0.42 | 0.48 | 0.54 | 0.38 | 0.44 | 0.51 | 0.58 | 0.40 | 0.47 | 0.54 | 0.61 |
| | | PI | 1.01 | 1.01 | 1.02 | 1.02 | 1.07 | 1.07 | 1.08 | 1.08 | 1.14 | 1.14 | 1.14 | 1.14 | 1.21 | 1.21 | 1.21 | 1.21 |
| | 77 | TC | 13175 | 13193 | 13208 | 13226 | 13967 | 13984 | 14001 | 14017 | 14802 | 14821 | 14841 | 14857 | 15694 | 15711 | 15731 | 15751 |
| | | S/T | 0.35 | 0.41 | 0.46 | 0.53 | 0.37 | 0.43 | 0.49 | 0.56 | 0.39 | 0.46 | 0.52 | 0.59 | 0.41 | 0.48 | 0.55 | 0.63 |
| | | PI | 1.02 | 1.02 | 1.02 | 1.02 | 1.08 | 1.08 | 1.08 | 1.08 | 1.14 | 1.14 | 1.14 | 1.15 | 1.21 | 1.21 | 1.21 | 1.21 |
| | 86 | TC | 12986 | 13004 | 13018 | 13036 | 13767 | 13783 | 13799 | 13816 | 14589 | 14608 | 14627 | 14644 | 15469 | 15486 | 15505 | 15524 |
| | | S/T | 0.35 | 0.41 | 0.47 | 0.53 | 0.37 | 0.44 | 0.50 | 0.57 | 0.39 | 0.46 | 0.53 | 0.60 | 0.42 | 0.49 | 0.56 | 0.64 |
| | | PI | 1.16 | 1.16 | 1.16 | 1.17 | 1.23 | 1.23 | 1.23 | 1.23 | 1.30 | 1.31 | 1.31 | 1.31 | 1.38 | 1.38 | 1.39 | 1.39 |
| | 95 | TC | 12921 | 12938 | 12953 | 12970 | 13698 | 13714 | 13730 | 13746 | 14516 | 14535 | 14554 | 14570 | 15391 | 15408 | 15427 | 15446 |
| | | S/T | 0.36 | 0.42 | 0.48 | 0.55 | 0.38 | 0.45 | 0.51 | 0.58 | 0.40 | 0.47 | 0.54 | 0.61 | 0.43 | 0.50 | 0.57 | 0.65 |
| | | PI | 1.20 | 1.20 | 1.20 | 1.20 | 1.27 | 1.27 | 1.27 | 1.27 | 1.34 | 1.35 | 1.35 | 1.35 | 1.43 | 1.43 | 1.43 | 1.43 |
| 104 | TC | 9949 | 9962 | 9973 | 9987 | 10546 | 10559 | 10571 | 10584 | 11177 | 11191 | 11206 | 11218 | 11850 | 11863 | 11878 | 11893 | |
| | S/T | 0.38 | 0.44 | 0.50 | 0.57 | 0.40 | 0.47 | 0.53 | 0.61 | 0.42 | 0.50 | 0.57 | 0.65 | 0.45 | 0.53 | 0.60 | 0.68 | |
| | PI | 2.49 | 2.49 | 2.50 | 2.50 | 2.64 | 2.64 | 2.65 | 2.65 | 2.80 | 2.80 | 2.80 | 2.81 | 2.97 | 2.97 | 2.97 | 2.98 | |
| 114.8 | TC | 6381 | 6390 | 6397 | 6406 | 6765 | 6773 | 6781 | 6789 | 7169 | 7179 | 7188 | 7196 | 7601 | 7610 | 7619 | 7629 | |
| | S/T | 0.38 | 0.45 | 0.51 | 0.58 | 0.41 | 0.48 | 0.54 | 0.62 | 0.43 | 0.50 | 0.57 | 0.65 | 0.46 | 0.53 | 0.61 | 0.69 | |
| | PI | 4.04 | 4.05 | 4.05 | 4.06 | 4.28 | 4.29 | 4.30 | 4.30 | 4.54 | 4.55 | 4.55 | 4.56 | 4.81 | 4.82 | 4.83 | 4.83 | |
| 122 | TC | 4003 | 4009 | 4013 | 4019 | 4244 | 4249 | 4254 | 4259 | 4498 | 4503 | 4509 | 4514 | 4769 | 4774 | 4780 | 4786 | |
| | S/T | 0.40 | 0.46 | 0.53 | 0.60 | 0.42 | 0.49 | 0.56 | 0.64 | 0.44 | 0.52 | 0.59 | 0.68 | 0.47 | 0.55 | 0.63 | 0.72 | |
| | PI | 5.08 | 5.08 | 5.09 | 5.10 | 5.38 | 5.39 | 5.39 | 5.40 | 5.70 | 5.71 | 5.72 | 5.72 | 6.05 | 6.05 | 6.06 | 6.07 | |

NON-DUCTED COOLING PERFORMANCE 18R (Sheet 3 of 4)

| AIRFLOW (CFM) | OUTDOOR DB (°F) | ID WB (°F) ID DB (°F) | 60.8 | | | | 64.4 | | | | 66.2 | | | | 71.6 | | | |
|------------------|--------------------|--------------------------|-------|-------|-------|-------|-------|-------|-------|-------|-------|-------|-------|-------|-------|-------|-------|-------|
| | | | 73.4 | 77.0 | 80.6 | 84.2 | 73.4 | 77.0 | 80.6 | 84.2 | 73.4 | 77.0 | 80.0 | 84.20 | 73.4 | 77.0 | 80.6 | 84.2 |
| | | | TC | S/T | PI | TC | S/T | PI | TC | S/T | PI | TC | S/T | PI | TC | S/T | PI | TC |
| 640 | -22 | TC | 20485 | 20512 | 20535 | 20563 | 21716 | 21742 | 21768 | 21793 | 23014 | 23044 | 23074 | 23099 | 24401 | 24428 | 24458 | 24489 |
| | | S/T | 0.48 | 0.56 | 0.63 | 0.72 | 0.50 | 0.59 | 0.67 | 0.77 | 0.53 | 0.63 | 0.71 | 0.81 | 0.57 | 0.67 | 0.76 | 0.86 |
| | | PI | 1.40 | 1.40 | 1.40 | 1.40 | 1.48 | 1.48 | 1.49 | 1.49 | 1.57 | 1.57 | 1.58 | 1.58 | 1.67 | 1.67 | 1.67 | 1.67 |
| | -10 | TC | 20333 | 20361 | 20384 | 20411 | 21556 | 21581 | 21607 | 21632 | 22844 | 22873 | 22903 | 22929 | 24221 | 24247 | 24277 | 24307 |
| | | S/T | 0.48 | 0.56 | 0.64 | 0.73 | 0.51 | 0.60 | 0.68 | 0.77 | 0.54 | 0.63 | 0.72 | 0.82 | 0.57 | 0.67 | 0.76 | 0.87 |
| | | PI | 1.42 | 1.42 | 1.42 | 1.42 | 1.50 | 1.50 | 1.50 | 1.51 | 1.59 | 1.59 | 1.60 | 1.60 | 1.69 | 1.69 | 1.69 | 1.69 |
| | 0 | TC | 20207 | 20234 | 20257 | 20284 | 21422 | 21447 | 21473 | 21498 | 22702 | 22731 | 22761 | 22786 | 24070 | 24097 | 24127 | 24157 |
| | | S/T | 0.48 | 0.57 | 0.64 | 0.73 | 0.51 | 0.60 | 0.68 | 0.78 | 0.54 | 0.64 | 0.72 | 0.82 | 0.57 | 0.67 | 0.77 | 0.87 |
| | | PI | 1.43 | 1.43 | 1.43 | 1.44 | 1.52 | 1.52 | 1.52 | 1.52 | 1.61 | 1.61 | 1.61 | 1.61 | 1.70 | 1.71 | 1.71 | 1.71 |
| | 5 | TC | 20144 | 20171 | 20194 | 20221 | 21355 | 21380 | 21405 | 21431 | 22631 | 22660 | 22690 | 22715 | 23995 | 24021 | 24051 | 24081 |
| | | S/T | 0.48 | 0.57 | 0.64 | 0.73 | 0.51 | 0.60 | 0.68 | 0.78 | 0.54 | 0.64 | 0.72 | 0.83 | 0.58 | 0.68 | 0.77 | 0.88 |
| | | PI | 1.44 | 1.44 | 1.44 | 1.44 | 1.52 | 1.53 | 1.53 | 1.53 | 1.62 | 1.62 | 1.62 | 1.62 | 1.71 | 1.72 | 1.72 | 1.72 |
| | 14 | TC | 20031 | 20057 | 20080 | 20107 | 21234 | 21260 | 21285 | 21310 | 22503 | 22533 | 22562 | 22587 | 23860 | 23886 | 23916 | 23945 |
| | | S/T | 0.49 | 0.57 | 0.65 | 0.74 | 0.51 | 0.60 | 0.69 | 0.78 | 0.55 | 0.64 | 0.73 | 0.83 | 0.58 | 0.68 | 0.77 | 0.88 |
| | | PI | 1.45 | 1.45 | 1.46 | 1.46 | 1.54 | 1.54 | 1.54 | 1.54 | 1.63 | 1.63 | 1.64 | 1.64 | 1.73 | 1.73 | 1.73 | 1.74 |
| | 17 | TC | 19993 | 20020 | 20042 | 20069 | 21194 | 21219 | 21245 | 21270 | 22461 | 22490 | 22519 | 22544 | 23815 | 23841 | 23870 | 23900 |
| | | S/T | 0.49 | 0.57 | 0.65 | 0.74 | 0.52 | 0.61 | 0.69 | 0.78 | 0.55 | 0.64 | 0.73 | 0.83 | 0.58 | 0.68 | 0.77 | 0.88 |
| | | PI | 1.46 | 1.46 | 1.46 | 1.46 | 1.54 | 1.55 | 1.55 | 1.55 | 1.64 | 1.64 | 1.64 | 1.64 | 1.73 | 1.74 | 1.74 | 1.74 |
| | 23 | TC | 19942 | 19969 | 19991 | 20018 | 21141 | 21166 | 21191 | 21216 | 22404 | 22433 | 22462 | 22487 | 23755 | 23780 | 23810 | 23840 |
| | | S/T | 0.49 | 0.57 | 0.65 | 0.74 | 0.52 | 0.61 | 0.69 | 0.79 | 0.55 | 0.64 | 0.73 | 0.83 | 0.58 | 0.68 | 0.78 | 0.88 |
| | | PI | 1.46 | 1.46 | 1.47 | 1.47 | 1.55 | 1.55 | 1.55 | 1.56 | 1.64 | 1.64 | 1.65 | 1.65 | 1.74 | 1.74 | 1.75 | 1.75 |
| | 32 | TC | 19866 | 19893 | 19915 | 19942 | 21060 | 21085 | 21110 | 21135 | 22319 | 22348 | 22377 | 22402 | 23664 | 23690 | 23720 | 23749 |
| | | S/T | 0.49 | 0.58 | 0.65 | 0.75 | 0.52 | 0.61 | 0.69 | 0.79 | 0.55 | 0.65 | 0.74 | 0.84 | 0.58 | 0.69 | 0.78 | 0.89 |
| | | PI | 1.47 | 1.47 | 1.47 | 1.48 | 1.56 | 1.56 | 1.56 | 1.56 | 1.65 | 1.65 | 1.66 | 1.66 | 1.75 | 1.75 | 1.76 | 1.76 |
| | 41 | TC | 19765 | 19792 | 19814 | 19841 | 20953 | 20978 | 21003 | 21028 | 22206 | 22234 | 22263 | 22288 | 23544 | 23570 | 23599 | 23628 |
| | | S/T | 0.49 | 0.58 | 0.66 | 0.75 | 0.52 | 0.61 | 0.70 | 0.79 | 0.55 | 0.65 | 0.74 | 0.84 | 0.59 | 0.69 | 0.78 | 0.89 |
| | | PI | 1.48 | 1.48 | 1.49 | 1.49 | 1.57 | 1.57 | 1.58 | 1.58 | 1.67 | 1.67 | 1.67 | 1.67 | 1.77 | 1.77 | 1.77 | 1.77 |
| | 47 | TC | 19690 | 19716 | 19738 | 19765 | 20873 | 20898 | 20923 | 20947 | 22120 | 22149 | 22178 | 22203 | 23454 | 23479 | 23509 | 23538 |
| | | S/T | 0.49 | 0.58 | 0.66 | 0.75 | 0.52 | 0.61 | 0.70 | 0.80 | 0.56 | 0.65 | 0.74 | 0.84 | 0.59 | 0.69 | 0.78 | 0.89 |
| | | PI | 1.49 | 1.49 | 1.50 | 1.50 | 1.58 | 1.58 | 1.58 | 1.59 | 1.68 | 1.68 | 1.68 | 1.68 | 1.78 | 1.78 | 1.78 | 1.78 |
| | 50 | TC | 19676 | 19702 | 19725 | 19751 | 20859 | 20883 | 20908 | 20933 | 22105 | 22134 | 22163 | 22187 | 23438 | 23463 | 23492 | 23522 |
| | | S/T | 0.50 | 0.58 | 0.66 | 0.75 | 0.53 | 0.62 | 0.70 | 0.80 | 0.56 | 0.65 | 0.74 | 0.85 | 0.59 | 0.69 | 0.79 | 0.90 |
| | | PI | 1.49 | 1.50 | 1.50 | 1.50 | 1.58 | 1.58 | 1.59 | 1.59 | 1.68 | 1.68 | 1.68 | 1.68 | 1.78 | 1.78 | 1.78 | 1.78 |
| | 59 | TC | 19635 | 19661 | 19683 | 19710 | 20815 | 20840 | 20864 | 20889 | 22059 | 22087 | 22116 | 22141 | 23388 | 23414 | 23443 | 23472 |
| | | S/T | 0.50 | 0.58 | 0.66 | 0.76 | 0.53 | 0.62 | 0.70 | 0.80 | 0.56 | 0.66 | 0.75 | 0.85 | 0.59 | 0.70 | 0.79 | 0.90 |
| | | PI | 1.50 | 1.50 | 1.50 | 1.50 | 1.59 | 1.59 | 1.59 | 1.59 | 1.68 | 1.69 | 1.69 | 1.69 | 1.78 | 1.79 | 1.79 | 1.79 |
| | 68 | TC | 19594 | 19620 | 19642 | 19668 | 20771 | 20796 | 20820 | 20845 | 22012 | 22041 | 22070 | 22094 | 23339 | 23365 | 23394 | 23423 |
| | | S/T | 0.50 | 0.59 | 0.67 | 0.76 | 0.53 | 0.62 | 0.71 | 0.81 | 0.56 | 0.66 | 0.75 | 0.86 | 0.60 | 0.70 | 0.80 | 0.91 |
| | | PI | 1.50 | 1.50 | 1.51 | 1.51 | 1.59 | 1.59 | 1.60 | 1.60 | 1.69 | 1.69 | 1.69 | 1.69 | 1.79 | 1.79 | 1.79 | 1.80 |
| | 77 | TC | 19552 | 19579 | 19601 | 19627 | 20727 | 20752 | 20777 | 20801 | 21966 | 21995 | 22023 | 22048 | 23290 | 23316 | 23345 | 23374 |
| | | S/T | 0.51 | 0.60 | 0.69 | 0.78 | 0.54 | 0.64 | 0.73 | 0.83 | 0.58 | 0.68 | 0.77 | 0.88 | 0.61 | 0.72 | 0.82 | 0.93 |
| | | PI | 1.51 | 1.51 | 1.51 | 1.51 | 1.60 | 1.60 | 1.60 | 1.60 | 1.69 | 1.70 | 1.70 | 1.70 | 1.80 | 1.80 | 1.80 | 1.80 |
| | 86 | TC | 19271 | 19297 | 19319 | 19345 | 20430 | 20454 | 20478 | 20502 | 21650 | 21679 | 21707 | 21731 | 22956 | 22981 | 23009 | 23038 |
| | | S/T | 0.52 | 0.61 | 0.69 | 0.79 | 0.55 | 0.65 | 0.74 | 0.84 | 0.59 | 0.69 | 0.78 | 0.89 | 0.62 | 0.73 | 0.83 | 0.94 |
| | | PI | 1.72 | 1.72 | 1.73 | 1.73 | 1.83 | 1.83 | 1.83 | 1.83 | 1.93 | 1.94 | 1.94 | 1.94 | 2.05 | 2.05 | 2.06 | 2.06 |
| | 95 | TC | 19175 | 19201 | 19222 | 19248 | 20327 | 20351 | 20375 | 20400 | 21542 | 21570 | 21598 | 21622 | 22841 | 22865 | 22894 | 22922 |
| | | S/T | 0.53 | 0.63 | 0.71 | 0.81 | 0.57 | 0.66 | 0.75 | 0.86 | 0.60 | 0.70 | 0.80 | 0.91 | 0.64 | 0.75 | 0.85 | 0.97 |
| | | PI | 1.78 | 1.78 | 1.78 | 1.78 | 1.88 | 1.88 | 1.89 | 1.89 | 1.99 | 2.00 | 2.00 | 2.00 | 2.12 | 2.12 | 2.12 | 2.12 |
| | 104 | TC | 14764 | 14783 | 14800 | 14820 | 15651 | 15669 | 15688 | 15707 | 16586 | 16608 | 16629 | 16648 | 17586 | 17605 | 17627 | 17649 |
| | | S/T | 0.56 | 0.66 | 0.75 | 0.85 | 0.59 | 0.70 | 0.79 | 0.90 | 0.63 | 0.74 | 0.84 | 0.96 | 0.67 | 0.78 | 0.89 | 1.02 |
| | | PI | 3.70 | 3.70 | 3.70 | 3.71 | 3.92 | 3.92 | 3.93 | 3.93 | 4.15 | 4.16 | 4.16 | 4.17 | 4.40 | 4.41 | 4.41 | 4.42 |
| | 114.8 | TC | 9470 | 9483 | 9493 | 9506 | 10039 | 10051 | 10063 | 10075 | 10639 | 10653 | 10667 | 10679 | 11280 | 11293 | 11307 | 11321 |
| | | S/T | 0.57 | 0.67 | 0.76 | 0.86 | 0.60 | 0.71 | 0.80 | 0.91 | 0.64 | 0.75 | 0.85 | 0.97 | 0.68 | 0.79 | 0.90 | 1.03 |
| | | PI | 6.00 | 6.01 | 6.01 | 6.02 | 6.36 | 6.37 | 6.37 | 6.38 | 6.74 | 6.75 | 6.76 | 6.76 | 7.15 | 7.15 | 7.16 | 7.17 |
| | 122 | TC | 5941 | 5949 | 5956 | 5964 | 6298 | 6306 | 6313 | 6320 | 6674 | 6683 | 6692 | 6699 | 7077 | 7084 | 7093 | 7102 |
| | | S/T | 0.59 | 0.69 | 0.78 | 0.89 | 0.62 | 0.73 | 0.83 | 0.95 | 0.66 | 0.77 | 0.88 | 1.00 | 0.70 | 0.82 | 0.93 | 1.06 |
| | | PI | 7.53 | 7.54 | 7.55 | 7.56 | 7.99 | 8.00 | 8.01 | 8.02 | 8.46 | 8.47 | 8.49 | 8.50 | 8.97 | 8.98 | 9.00 | 9.01 |

NON-DUCTED COOLING PERFORMANCE 18R (Sheet 4 of 4)

| AIRFLOW (CFM) | OUTDOOR DB (°F) | ID WB (°F) ID DB (°F) | 60.8 | | | | 64.4 | | | | 66.2 | | | | 71.6 | | | |
|------------------|--------------------|--------------------------|------|-------|-------|-------|-------|-------|-------|-------|-------|-------|-------|-------|-------|-------|-------|-------|
| | | | 73.4 | 77.0 | 80.6 | 84.2 | 73.4 | 77.0 | 80.6 | 84.2 | 73.4 | 77.0 | 80.0 | 84.20 | 73.4 | 77.0 | 80.6 | 84.2 |
| | | | 700 | -22 | TC | 22184 | 22213 | 22238 | 22268 | 23517 | 23545 | 23573 | 23601 | 24922 | 24954 | 24987 | 25015 | 26425 |
| S/T | 0.52 | 0.60 | | | 0.69 | 0.78 | 0.55 | 0.64 | 0.73 | 0.83 | 0.58 | 0.68 | 0.77 | 0.88 | 0.61 | 0.72 | 0.82 | 0.93 |
| PI | 1.51 | 1.52 | | | 1.52 | 1.52 | 1.61 | 1.61 | 1.61 | 1.61 | 1.70 | 1.70 | 1.71 | 1.71 | 1.80 | 1.81 | 1.81 | 1.81 |
| -10 | TC | 22020 | | 22049 | 22074 | 22104 | 23343 | 23371 | 23398 | 23426 | 24738 | 24770 | 24802 | 24830 | 26229 | 26258 | 26290 | 26323 |
| | S/T | 0.52 | | 0.61 | 0.69 | 0.79 | 0.55 | 0.65 | 0.73 | 0.84 | 0.58 | 0.68 | 0.78 | 0.89 | 0.62 | 0.73 | 0.82 | 0.94 |
| | PI | 1.53 | | 1.54 | 1.54 | 1.54 | 1.63 | 1.63 | 1.63 | 1.63 | 1.72 | 1.73 | 1.73 | 1.73 | 1.83 | 1.83 | 1.83 | 1.83 |
| 0 | TC | 21883 | | 21912 | 21937 | 21966 | 23198 | 23226 | 23253 | 23281 | 24584 | 24616 | 24648 | 24676 | 26066 | 26095 | 26127 | 26160 |
| | S/T | 0.52 | | 0.61 | 0.70 | 0.79 | 0.55 | 0.65 | 0.74 | 0.84 | 0.59 | 0.69 | 0.78 | 0.89 | 0.62 | 0.73 | 0.83 | 0.94 |
| | PI | 1.55 | | 1.55 | 1.55 | 1.56 | 1.64 | 1.64 | 1.65 | 1.65 | 1.74 | 1.74 | 1.75 | 1.75 | 1.85 | 1.85 | 1.85 | 1.85 |
| 5 | TC | 21814 | | 21844 | 21868 | 21898 | 23126 | 23153 | 23180 | 23208 | 24508 | 24539 | 24571 | 24599 | 25985 | 26013 | 26046 | 26078 |
| | S/T | 0.52 | | 0.61 | 0.70 | 0.80 | 0.55 | 0.65 | 0.74 | 0.84 | 0.59 | 0.69 | 0.78 | 0.89 | 0.62 | 0.73 | 0.83 | 0.95 |
| | PI | 1.56 | | 1.56 | 1.56 | 1.56 | 1.65 | 1.65 | 1.66 | 1.66 | 1.75 | 1.75 | 1.75 | 1.76 | 1.86 | 1.86 | 1.86 | 1.86 |
| 14 | TC | 21691 | | 21721 | 21745 | 21774 | 22995 | 23022 | 23050 | 23077 | 24369 | 24401 | 24433 | 24460 | 25838 | 25866 | 25899 | 25931 |
| | S/T | 0.53 | | 0.62 | 0.70 | 0.80 | 0.56 | 0.65 | 0.74 | 0.85 | 0.59 | 0.69 | 0.79 | 0.90 | 0.63 | 0.74 | 0.84 | 0.95 |
| | PI | 1.57 | | 1.57 | 1.58 | 1.58 | 1.67 | 1.67 | 1.67 | 1.67 | 1.77 | 1.77 | 1.77 | 1.77 | 1.87 | 1.87 | 1.88 | 1.88 |
| 17 | TC | 21650 | | 21680 | 21704 | 21733 | 22952 | 22979 | 23006 | 23033 | 24323 | 24355 | 24387 | 24414 | 25790 | 25818 | 25850 | 25882 |
| | S/T | 0.53 | | 0.62 | 0.70 | 0.80 | 0.56 | 0.66 | 0.75 | 0.85 | 0.59 | 0.69 | 0.79 | 0.90 | 0.63 | 0.74 | 0.84 | 0.95 |
| | PI | 1.58 | | 1.58 | 1.58 | 1.58 | 1.67 | 1.67 | 1.68 | 1.68 | 1.77 | 1.77 | 1.78 | 1.78 | 1.88 | 1.88 | 1.88 | 1.88 |
| 23 | TC | 21596 | | 21625 | 21649 | 21678 | 22894 | 22921 | 22948 | 22975 | 24262 | 24293 | 24325 | 24352 | 25724 | 25752 | 25784 | 25817 |
| | S/T | 0.53 | | 0.62 | 0.70 | 0.80 | 0.56 | 0.66 | 0.75 | 0.85 | 0.59 | 0.70 | 0.79 | 0.90 | 0.63 | 0.74 | 0.84 | 0.96 |
| | PI | 1.58 | | 1.59 | 1.59 | 1.59 | 1.68 | 1.68 | 1.68 | 1.68 | 1.78 | 1.78 | 1.78 | 1.79 | 1.89 | 1.89 | 1.89 | 1.89 |
| 32 | TC | 21514 | | 21543 | 21567 | 21596 | 22807 | 22834 | 22861 | 22888 | 24170 | 24201 | 24233 | 24260 | 25627 | 25655 | 25687 | 25719 |
| | S/T | 0.53 | | 0.62 | 0.71 | 0.81 | 0.56 | 0.66 | 0.75 | 0.86 | 0.60 | 0.70 | 0.80 | 0.91 | 0.63 | 0.74 | 0.84 | 0.96 |
| | PI | 1.59 | | 1.59 | 1.60 | 1.60 | 1.69 | 1.69 | 1.69 | 1.69 | 1.79 | 1.79 | 1.79 | 1.80 | 1.90 | 1.90 | 1.90 | 1.90 |
| 41 | TC | 21404 | | 21433 | 21457 | 21486 | 22691 | 22718 | 22745 | 22772 | 24047 | 24078 | 24109 | 24136 | 25496 | 25524 | 25556 | 25588 |
| | S/T | 0.53 | | 0.63 | 0.71 | 0.81 | 0.57 | 0.66 | 0.75 | 0.86 | 0.60 | 0.70 | 0.80 | 0.91 | 0.64 | 0.75 | 0.85 | 0.97 |
| | PI | 1.61 | | 1.61 | 1.61 | 1.61 | 1.70 | 1.70 | 1.71 | 1.71 | 1.80 | 1.81 | 1.81 | 1.81 | 1.91 | 1.91 | 1.92 | 1.92 |
| 47 | TC | 21322 | | 21351 | 21375 | 21404 | 22604 | 22631 | 22658 | 22684 | 23955 | 23986 | 24017 | 24044 | 25399 | 25426 | 25458 | 25490 |
| | S/T | 0.54 | | 0.63 | 0.71 | 0.81 | 0.57 | 0.67 | 0.76 | 0.86 | 0.60 | 0.71 | 0.80 | 0.91 | 0.64 | 0.75 | 0.85 | 0.97 |
| | PI | 1.62 | | 1.62 | 1.62 | 1.62 | 1.71 | 1.71 | 1.72 | 1.72 | 1.81 | 1.82 | 1.82 | 1.82 | 1.92 | 1.93 | 1.93 | 1.93 |
| 50 | TC | 21308 | | 21336 | 21360 | 21389 | 22588 | 22615 | 22642 | 22669 | 23938 | 23969 | 24000 | 24027 | 25381 | 25409 | 25440 | 25472 |
| | S/T | 0.54 | | 0.63 | 0.72 | 0.82 | 0.57 | 0.67 | 0.76 | 0.86 | 0.60 | 0.71 | 0.80 | 0.92 | 0.64 | 0.75 | 0.85 | 0.97 |
| | PI | 1.62 | | 1.62 | 1.62 | 1.62 | 1.71 | 1.71 | 1.72 | 1.72 | 1.82 | 1.82 | 1.82 | 1.82 | 1.93 | 1.93 | 1.93 | 1.93 |
| 59 | TC | 21263 | | 21291 | 21315 | 21344 | 22541 | 22568 | 22594 | 22621 | 23888 | 23919 | 23950 | 23977 | 25328 | 25355 | 25387 | 25419 |
| | S/T | 0.54 | | 0.63 | 0.72 | 0.82 | 0.57 | 0.67 | 0.76 | 0.87 | 0.61 | 0.71 | 0.81 | 0.92 | 0.64 | 0.75 | 0.86 | 0.98 |
| | PI | 1.62 | | 1.62 | 1.63 | 1.63 | 1.72 | 1.72 | 1.72 | 1.73 | 1.82 | 1.82 | 1.83 | 1.83 | 1.93 | 1.93 | 1.94 | 1.94 |
| 68 | TC | 21218 | | 21247 | 21271 | 21299 | 22494 | 22520 | 22547 | 22574 | 23838 | 23869 | 23900 | 23926 | 25275 | 25302 | 25334 | 25365 |
| | S/T | 0.54 | | 0.64 | 0.72 | 0.82 | 0.57 | 0.67 | 0.77 | 0.87 | 0.61 | 0.71 | 0.81 | 0.93 | 0.65 | 0.76 | 0.86 | 0.98 |
| | PI | 1.63 | | 1.63 | 1.63 | 1.63 | 1.73 | 1.73 | 1.73 | 1.73 | 1.83 | 1.83 | 1.83 | 1.84 | 1.94 | 1.94 | 1.94 | 1.95 |
| 77 | TC | 21174 | | 21202 | 21226 | 21254 | 22446 | 22473 | 22499 | 22526 | 23787 | 23818 | 23849 | 23876 | 25222 | 25249 | 25280 | 25312 |
| | S/T | 0.56 | | 0.65 | 0.74 | 0.85 | 0.59 | 0.69 | 0.79 | 0.90 | 0.63 | 0.73 | 0.83 | 0.95 | 0.66 | 0.78 | 0.88 | 1.01 |
| | PI | 1.63 | | 1.63 | 1.64 | 1.64 | 1.73 | 1.73 | 1.73 | 1.74 | 1.83 | 1.84 | 1.84 | 1.84 | 1.94 | 1.95 | 1.95 | 1.95 |
| 86 | TC | 20869 | | 20897 | 20921 | 20949 | 22124 | 22150 | 22176 | 22202 | 23446 | 23476 | 23507 | 23533 | 24859 | 24886 | 24917 | 24948 |
| | S/T | 0.56 | | 0.66 | 0.75 | 0.86 | 0.60 | 0.70 | 0.80 | 0.91 | 0.63 | 0.74 | 0.84 | 0.96 | 0.67 | 0.79 | 0.90 | 1.02 |
| | PI | 1.87 | | 1.87 | 1.87 | 1.87 | 1.98 | 1.98 | 1.98 | 1.98 | 2.10 | 2.10 | 2.10 | 2.10 | 2.22 | 2.22 | 2.23 | 2.23 |
| 95 | TC | 20765 | | 20793 | 20816 | 20844 | 22013 | 22039 | 22065 | 22091 | 23328 | 23358 | 23389 | 23415 | 24735 | 24761 | 24792 | 24823 |
| | S/T | 0.58 | | 0.68 | 0.77 | 0.88 | 0.61 | 0.72 | 0.82 | 0.93 | 0.65 | 0.76 | 0.87 | 0.99 | 0.69 | 0.81 | 0.92 | 1.05 |
| | PI | 1.92 | | 1.93 | 1.93 | 1.93 | 2.04 | 2.04 | 2.04 | 2.05 | 2.16 | 2.16 | 2.17 | 2.17 | 2.29 | 2.29 | 2.30 | 2.30 |
| 104 | TC | 15988 | | 16009 | 16027 | 16049 | 16949 | 16969 | 16989 | 17009 | 17961 | 17985 | 18008 | 18028 | 19044 | 19065 | 19089 | 19112 |
| | S/T | 0.61 | | 0.71 | 0.81 | 0.92 | 0.64 | 0.76 | 0.86 | 0.98 | 0.68 | 0.80 | 0.91 | 1.04 | 0.72 | 0.85 | 0.96 | 1.10 |
| | PI | 4.00 | | 4.01 | 4.01 | 4.02 | 4.24 | 4.25 | 4.25 | 4.26 | 4.50 | 4.50 | 4.51 | 4.51 | 4.77 | 4.77 | 4.78 | 4.78 |
| 114.8 | TC | 10255 | | 10269 | 10281 | 10294 | 10872 | 10885 | 10897 | 10910 | 11521 | 11536 | 11551 | 11564 | 12216 | 12229 | 12244 | 12260 |
| | S/T | 0.61 | | 0.72 | 0.82 | 0.93 | 0.65 | 0.76 | 0.87 | 0.99 | 0.69 | 0.81 | 0.92 | 1.05 | 0.73 | 0.86 | 0.98 | 1.11 |
| | PI | 6.50 | | 6.50 | 6.51 | 6.52 | 6.89 | 6.89 | 6.90 | 6.91 | 7.30 | 7.31 | 7.32 | 7.32 | 7.74 | 7.75 | 7.76 | 7.77 |
| 122 | TC | 6434 | | 6442 | 6450 | 6458 | 6820 | 6828 | 6836 | 6845 | 7228 | 7237 | 7247 | 7255 | 7664 | 7672 | 7681 | 7691 |
| | S/T | 0.64 | | 0.75 | 0.85 | 0.97 | 0.67 | 0.79 | 0.90 | 1.02 | 0.71 | 0.84 | 0.95 | 1.09 | 0.76 | 0.89 | 1.01 | 1.15 |
| | PI | 8.16 | | 8.17 | 8.18 | 8.19 | 8.65 | 8.66 | 8.67 | 8.68 | 9.17 | 9.18 | 9.19 | 9.20 | 9.72 | 9.73 | 9.74 | 9.75 |

NOTE: Data highlighted in gray is extrapolated data and not actual test data. At 77°F outdoor conditions sweat protection activates causing a decrease in total capacity.

LEGEND

- TC - Total Net Capacity (Btu/hour)
- S/T: Sensible Cooling Capacity Ratio
- PI: Power Input (kW)
- Extrapolated Data

COOLING PERFORMANCE NON-DUCTED

COOLING PERFORMANCE 24HH (HIGH HEAT)

NON-DUCTED COOLING PERFORMANCE 24HH (Sheet 1 of 4)

| AIRFLOW (CFM) | OUTDOOR DB (°F) | ID WB (°F) | 60.8 | | | | 64.4 | | | | 66.2 | | | | 71.6 | | | |
|---------------|-----------------|------------|------------|-------|-------|-------|-------|-------|-------|-------|-------|-------|-------|-------|-------|-------|-------|-------|
| | | | ID DB (°F) | 73.4 | 77.0 | 80.6 | 84.2 | 73.4 | 77.0 | 80.6 | 84.2 | 73.4 | 77.0 | 80.0 | 84.20 | 73.4 | 77.0 | 80.6 |
| 492 | -22 | TC | 17935 | 17959 | 17979 | 18004 | 19013 | 19035 | 19058 | 19081 | 20149 | 20175 | 20202 | 20224 | 21364 | 21387 | 21414 | 21440 |
| | | S/T | 0.22 | 0.25 | 0.29 | 0.33 | 0.23 | 0.27 | 0.31 | 0.35 | 0.24 | 0.28 | 0.32 | 0.37 | 0.26 | 0.30 | 0.34 | 0.39 |
| | | PI | 0.97 | 0.97 | 0.97 | 0.97 | 1.02 | 1.03 | 1.03 | 1.03 | 1.03 | 1.08 | 1.09 | 1.09 | 1.09 | 1.15 | 1.15 | 1.15 |
| | -10 | TC | 17777 | 17801 | 17821 | 17845 | 18845 | 18867 | 18890 | 18912 | 19971 | 19997 | 20023 | 20045 | 21175 | 21198 | 21225 | 21251 |
| | | S/T | 0.22 | 0.25 | 0.29 | 0.33 | 0.23 | 0.27 | 0.31 | 0.35 | 0.24 | 0.29 | 0.33 | 0.37 | 0.26 | 0.30 | 0.35 | 0.39 |
| | | PI | 0.99 | 0.99 | 0.99 | 0.99 | 1.05 | 1.05 | 1.05 | 1.05 | 1.11 | 1.11 | 1.11 | 1.11 | 1.17 | 1.18 | 1.18 | 1.18 |
| | 0 | TC | 17645 | 17668 | 17688 | 17712 | 18705 | 18727 | 18750 | 18772 | 19823 | 19849 | 19874 | 19897 | 21018 | 21041 | 21067 | 21093 |
| | | S/T | 0.22 | 0.26 | 0.29 | 0.33 | 0.23 | 0.27 | 0.31 | 0.35 | 0.25 | 0.29 | 0.33 | 0.37 | 0.26 | 0.31 | 0.35 | 0.40 |
| | | PI | 1.00 | 1.00 | 1.01 | 1.01 | 1.06 | 1.06 | 1.07 | 1.07 | 1.13 | 1.13 | 1.13 | 1.13 | 1.19 | 1.20 | 1.20 | 1.20 |
| | 5 | TC | 17579 | 17602 | 17622 | 17646 | 18635 | 18657 | 18679 | 18702 | 19749 | 19774 | 19800 | 19822 | 20939 | 20962 | 20988 | 21014 |
| | | S/T | 0.22 | 0.26 | 0.29 | 0.33 | 0.23 | 0.27 | 0.31 | 0.35 | 0.25 | 0.29 | 0.33 | 0.37 | 0.26 | 0.31 | 0.35 | 0.40 |
| | | PI | 1.01 | 1.01 | 1.01 | 1.02 | 1.07 | 1.07 | 1.07 | 1.08 | 1.14 | 1.14 | 1.14 | 1.14 | 1.20 | 1.21 | 1.21 | 1.21 |
| | 14 | TC | 17460 | 17483 | 17503 | 17527 | 18509 | 18531 | 18553 | 18575 | 19615 | 19641 | 19666 | 19688 | 20798 | 20820 | 20846 | 20872 |
| | | S/T | 0.22 | 0.26 | 0.29 | 0.33 | 0.23 | 0.27 | 0.31 | 0.35 | 0.25 | 0.29 | 0.33 | 0.38 | 0.26 | 0.31 | 0.35 | 0.40 |
| | | PI | 1.03 | 1.03 | 1.03 | 1.03 | 1.09 | 1.09 | 1.09 | 1.09 | 1.15 | 1.15 | 1.16 | 1.16 | 1.22 | 1.22 | 1.23 | 1.23 |
| | 17 | TC | 17420 | 17444 | 17463 | 17487 | 18467 | 18489 | 18511 | 18533 | 19571 | 19596 | 19622 | 19644 | 20751 | 20773 | 20799 | 20825 |
| | | S/T | 0.22 | 0.26 | 0.29 | 0.34 | 0.23 | 0.27 | 0.31 | 0.36 | 0.25 | 0.29 | 0.33 | 0.38 | 0.26 | 0.31 | 0.35 | 0.40 |
| | | PI | 1.03 | 1.03 | 1.03 | 1.04 | 1.09 | 1.09 | 1.10 | 1.10 | 1.16 | 1.16 | 1.16 | 1.16 | 1.23 | 1.23 | 1.23 | 1.23 |
| | 23 | TC | 17368 | 17391 | 17410 | 17434 | 18411 | 18433 | 18455 | 18477 | 19512 | 19537 | 19562 | 19584 | 20688 | 20710 | 20736 | 20762 |
| | | S/T | 0.22 | 0.26 | 0.30 | 0.34 | 0.23 | 0.28 | 0.31 | 0.36 | 0.25 | 0.29 | 0.33 | 0.38 | 0.26 | 0.31 | 0.35 | 0.40 |
| | | PI | 1.04 | 1.04 | 1.04 | 1.04 | 1.10 | 1.10 | 1.10 | 1.10 | 1.17 | 1.17 | 1.17 | 1.17 | 1.24 | 1.24 | 1.24 | 1.24 |
| | 32 | TC | 17288 | 17312 | 17331 | 17354 | 18327 | 18349 | 18371 | 18393 | 19423 | 19448 | 19473 | 19495 | 20593 | 20616 | 20642 | 20667 |
| | | S/T | 0.22 | 0.26 | 0.30 | 0.34 | 0.24 | 0.28 | 0.31 | 0.36 | 0.25 | 0.29 | 0.33 | 0.38 | 0.26 | 0.31 | 0.35 | 0.40 |
| | | PI | 1.05 | 1.05 | 1.05 | 1.05 | 1.11 | 1.11 | 1.11 | 1.12 | 1.18 | 1.18 | 1.18 | 1.18 | 1.25 | 1.25 | 1.25 | 1.25 |
| | 41 | TC | 17183 | 17206 | 17225 | 17248 | 18215 | 18237 | 18259 | 18280 | 19304 | 19329 | 19354 | 19376 | 20468 | 20490 | 20515 | 20541 |
| | | S/T | 0.22 | 0.26 | 0.30 | 0.34 | 0.24 | 0.28 | 0.32 | 0.36 | 0.25 | 0.29 | 0.33 | 0.38 | 0.27 | 0.31 | 0.36 | 0.40 |
| | | PI | 1.07 | 1.07 | 1.07 | 1.08 | 1.14 | 1.14 | 1.14 | 1.14 | 1.20 | 1.21 | 1.21 | 1.21 | 1.28 | 1.28 | 1.28 | 1.28 |
| | 47 | TC | 17104 | 17127 | 17146 | 17169 | 18132 | 18153 | 18175 | 18196 | 19215 | 19240 | 19265 | 19287 | 20373 | 20396 | 20421 | 20446 |
| | | S/T | 0.22 | 0.26 | 0.30 | 0.34 | 0.24 | 0.28 | 0.32 | 0.36 | 0.25 | 0.30 | 0.34 | 0.38 | 0.27 | 0.31 | 0.36 | 0.41 |
| | | PI | 1.09 | 1.09 | 1.09 | 1.10 | 1.16 | 1.16 | 1.16 | 1.16 | 1.23 | 1.23 | 1.23 | 1.23 | 1.30 | 1.30 | 1.30 | 1.31 |
| | 50 | TC | 17068 | 17091 | 17110 | 17133 | 18093 | 18115 | 18136 | 18158 | 19175 | 19200 | 19225 | 19246 | 20331 | 20353 | 20378 | 20403 |
| | | S/T | 0.22 | 0.26 | 0.30 | 0.34 | 0.24 | 0.28 | 0.32 | 0.36 | 0.25 | 0.30 | 0.34 | 0.38 | 0.27 | 0.31 | 0.36 | 0.41 |
| | | PI | 1.10 | 1.10 | 1.10 | 1.10 | 1.17 | 1.17 | 1.17 | 1.17 | 1.24 | 1.24 | 1.24 | 1.24 | 1.31 | 1.31 | 1.31 | 1.31 |
| | 59 | TC | 16960 | 16983 | 17002 | 17025 | 17979 | 18000 | 18022 | 18043 | 19054 | 19078 | 19103 | 19124 | 20202 | 20224 | 20249 | 20275 |
| | | S/T | 0.23 | 0.26 | 0.30 | 0.34 | 0.24 | 0.28 | 0.32 | 0.36 | 0.25 | 0.30 | 0.34 | 0.39 | 0.27 | 0.32 | 0.36 | 0.41 |
| | | PI | 1.12 | 1.12 | 1.12 | 1.13 | 1.19 | 1.19 | 1.19 | 1.19 | 1.26 | 1.26 | 1.26 | 1.26 | 1.34 | 1.34 | 1.34 | 1.34 |
| | 68 | TC | 16852 | 16875 | 16894 | 16916 | 17865 | 17886 | 17907 | 17929 | 18932 | 18957 | 18982 | 19003 | 20074 | 20096 | 20121 | 20146 |
| | | S/T | 0.23 | 0.27 | 0.30 | 0.34 | 0.24 | 0.28 | 0.32 | 0.37 | 0.26 | 0.30 | 0.34 | 0.39 | 0.27 | 0.32 | 0.36 | 0.41 |
| | | PI | 1.14 | 1.15 | 1.15 | 1.15 | 1.21 | 1.21 | 1.22 | 1.22 | 1.28 | 1.29 | 1.29 | 1.29 | 1.36 | 1.36 | 1.37 | 1.37 |
| | 77 | TC | 16744 | 16767 | 16786 | 16808 | 17751 | 17772 | 17793 | 17814 | 18811 | 18836 | 18860 | 18881 | 19945 | 19967 | 19992 | 20017 |
| | | S/T | 0.23 | 0.27 | 0.31 | 0.35 | 0.25 | 0.29 | 0.33 | 0.38 | 0.26 | 0.31 | 0.35 | 0.40 | 0.28 | 0.33 | 0.37 | 0.42 |
| | | PI | 1.17 | 1.17 | 1.17 | 1.17 | 1.24 | 1.24 | 1.24 | 1.24 | 1.31 | 1.31 | 1.31 | 1.31 | 1.39 | 1.39 | 1.39 | 1.39 |
| | 86 | TC | 14520 | 14539 | 14556 | 14575 | 15393 | 15411 | 15429 | 15447 | 16312 | 16334 | 16355 | 16373 | 17296 | 17314 | 17336 | 17358 |
| | | S/T | 0.24 | 0.28 | 0.31 | 0.36 | 0.25 | 0.29 | 0.33 | 0.38 | 0.27 | 0.31 | 0.35 | 0.40 | 0.28 | 0.33 | 0.37 | 0.43 |
| | | PI | 1.26 | 1.26 | 1.26 | 1.26 | 1.33 | 1.33 | 1.34 | 1.34 | 1.41 | 1.41 | 1.42 | 1.42 | 1.50 | 1.50 | 1.50 | 1.50 |
| | 95 | TC | 13924 | 13942 | 13958 | 13977 | 14760 | 14778 | 14795 | 14813 | 15642 | 15663 | 15683 | 15701 | 16585 | 16603 | 16624 | 16645 |
| | | S/T | 0.24 | 0.28 | 0.32 | 0.37 | 0.26 | 0.30 | 0.34 | 0.39 | 0.27 | 0.32 | 0.36 | 0.41 | 0.29 | 0.34 | 0.38 | 0.44 |
| | | PI | 1.29 | 1.30 | 1.30 | 1.30 | 1.37 | 1.37 | 1.38 | 1.38 | 1.45 | 1.46 | 1.46 | 1.46 | 1.54 | 1.54 | 1.55 | 1.55 |
| 104 | TC | 12645 | 12662 | 12676 | 12693 | 13405 | 13421 | 13437 | 13452 | 14206 | 14224 | 14243 | 14259 | 15062 | 15079 | 15097 | 15116 | |
| | S/T | 0.25 | 0.30 | 0.34 | 0.39 | 0.27 | 0.32 | 0.36 | 0.41 | 0.29 | 0.34 | 0.38 | 0.43 | 0.30 | 0.36 | 0.40 | 0.46 | |
| | PI | 2.73 | 2.73 | 2.73 | 2.74 | 2.89 | 2.90 | 2.90 | 2.90 | 3.06 | 3.07 | 3.07 | 3.08 | 3.25 | 3.25 | 3.26 | 3.26 | |
| 114.8 | TC | 11110 | 11125 | 11138 | 11153 | 11778 | 11792 | 11806 | 11820 | 12482 | 12498 | 12514 | 12528 | 13234 | 13249 | 13265 | 13282 | |
| | S/T | 0.26 | 0.30 | 0.34 | 0.39 | 0.27 | 0.32 | 0.36 | 0.41 | 0.29 | 0.34 | 0.39 | 0.44 | 0.31 | 0.36 | 0.41 | 0.47 | |
| | PI | 4.45 | 4.45 | 4.46 | 4.47 | 4.72 | 4.72 | 4.73 | 4.73 | 5.00 | 5.00 | 5.01 | 5.02 | 5.30 | 5.30 | 5.31 | 5.32 | |
| 122 | TC | 10087 | 10101 | 10112 | 10126 | 10693 | 10706 | 10719 | 10731 | 11332 | 11347 | 11362 | 11375 | 12016 | 12029 | 12044 | 12059 | |
| | S/T | 0.27 | 0.31 | 0.36 | 0.40 | 0.28 | 0.33 | 0.38 | 0.43 | 0.30 | 0.35 | 0.40 | 0.45 | 0.32 | 0.37 | 0.42 | 0.48 | |
| | PI | 5.60 | 5.60 | 5.61 | 5.62 | 5.93 | 5.94 | 5.95 | 5.95 | 6.29 | 6.29 | 6.30 | 6.31 | 6.67 | 6.67 | 6.68 | 6.69 | |

NON-DUCTED COOLING PERFORMANCE 24HH (Sheet 2 of 4)

| AIRFLOW (CFM) | OUTDOOR DB (°F) | ID WB (°F) | 60.8 | | | | 64.4 | | | | 66.2 | | | | 71.6 | | | | | | | |
|------------------|--------------------|------------|------------|-------|-------|-------|-------|-------|-------|-------|-------|-------|-------|-------|-------|-------|-------|-------|------|------|------|------|
| | | | ID DB (°F) | | | | 73.4 | 77.0 | 80.6 | 84.2 | 73.4 | 77.0 | 80.6 | 84.2 | 73.4 | 77.0 | 80.0 | 84.20 | 73.4 | 77.0 | 80.6 | 84.2 |
| | | | 73.4 | 77.0 | 80.6 | 84.2 | 73.4 | 77.0 | 80.6 | 84.2 | 73.4 | 77.0 | 80.0 | 84.20 | 73.4 | 77.0 | 80.6 | 84.2 | | | | |
| 640 | -22 | TC | 23099 | 23130 | 23156 | 23187 | 24487 | 24516 | 24545 | 24575 | 25951 | 25984 | 26018 | 26047 | 27515 | 27545 | 27579 | 27614 | | | | |
| | | S/T | 0.32 | 0.38 | 0.43 | 0.49 | 0.34 | 0.40 | 0.45 | 0.52 | 0.36 | 0.42 | 0.48 | 0.55 | 0.38 | 0.45 | 0.51 | 0.58 | | | | |
| | | PI | 1.43 | 1.43 | 1.43 | 1.43 | 1.51 | 1.51 | 1.52 | 1.52 | 1.60 | 1.61 | 1.61 | 1.61 | 1.61 | 1.70 | 1.70 | 1.70 | 1.71 | | | |
| | -10 | TC | 22895 | 22926 | 22952 | 22983 | 24271 | 24300 | 24329 | 24358 | 25722 | 25755 | 25788 | 25817 | 27272 | 27302 | 27336 | 27370 | | | | |
| | | S/T | 0.32 | 0.38 | 0.43 | 0.49 | 0.34 | 0.40 | 0.46 | 0.52 | 0.36 | 0.43 | 0.48 | 0.55 | 0.38 | 0.45 | 0.51 | 0.58 | | | | |
| | | PI | 1.46 | 1.46 | 1.46 | 1.46 | 1.54 | 1.55 | 1.55 | 1.55 | 1.64 | 1.64 | 1.64 | 1.64 | 1.74 | 1.74 | 1.74 | 1.74 | | | | |
| | 0 | TC | 22725 | 22756 | 22781 | 22812 | 24091 | 24120 | 24148 | 24177 | 25531 | 25564 | 25597 | 25626 | 27070 | 27099 | 27133 | 27167 | | | | |
| | | S/T | 0.32 | 0.38 | 0.43 | 0.49 | 0.34 | 0.40 | 0.46 | 0.52 | 0.36 | 0.43 | 0.49 | 0.55 | 0.39 | 0.45 | 0.52 | 0.59 | | | | |
| | | PI | 1.48 | 1.48 | 1.49 | 1.49 | 1.57 | 1.57 | 1.57 | 1.58 | 1.66 | 1.67 | 1.67 | 1.67 | 1.77 | 1.77 | 1.77 | 1.77 | | | | |
| | 5 | TC | 22640 | 22671 | 22696 | 22727 | 24001 | 24029 | 24058 | 24086 | 25435 | 25468 | 25501 | 25530 | 26968 | 26998 | 27031 | 27065 | | | | |
| | | S/T | 0.33 | 0.38 | 0.43 | 0.49 | 0.34 | 0.40 | 0.46 | 0.52 | 0.37 | 0.43 | 0.49 | 0.56 | 0.39 | 0.45 | 0.52 | 0.59 | | | | |
| | | PI | 1.49 | 1.50 | 1.50 | 1.50 | 1.58 | 1.59 | 1.59 | 1.59 | 1.68 | 1.68 | 1.68 | 1.69 | 1.78 | 1.78 | 1.78 | 1.79 | | | | |
| | 14 | TC | 22487 | 22517 | 22543 | 22573 | 23839 | 23867 | 23895 | 23924 | 25263 | 25296 | 25329 | 25357 | 26786 | 26815 | 26849 | 26882 | | | | |
| | | S/T | 0.33 | 0.38 | 0.44 | 0.50 | 0.35 | 0.41 | 0.46 | 0.53 | 0.37 | 0.43 | 0.49 | 0.56 | 0.39 | 0.46 | 0.52 | 0.59 | | | | |
| | | PI | 1.52 | 1.52 | 1.52 | 1.52 | 1.61 | 1.61 | 1.61 | 1.61 | 1.70 | 1.71 | 1.71 | 1.71 | 1.81 | 1.81 | 1.81 | 1.81 | | | | |
| | 17 | TC | 22436 | 22466 | 22492 | 22522 | 23785 | 23813 | 23841 | 23869 | 25206 | 25239 | 25272 | 25300 | 26726 | 26755 | 26788 | 26821 | | | | |
| | | S/T | 0.33 | 0.38 | 0.44 | 0.50 | 0.35 | 0.41 | 0.46 | 0.53 | 0.37 | 0.43 | 0.49 | 0.56 | 0.39 | 0.46 | 0.52 | 0.59 | | | | |
| | | PI | 1.52 | 1.53 | 1.53 | 1.53 | 1.62 | 1.62 | 1.62 | 1.62 | 1.71 | 1.71 | 1.72 | 1.72 | 1.82 | 1.82 | 1.82 | 1.82 | | | | |
| | 23 | TC | 22368 | 22398 | 22423 | 22454 | 23713 | 23741 | 23769 | 23797 | 25130 | 25162 | 25195 | 25223 | 26645 | 26673 | 26707 | 26740 | | | | |
| | | S/T | 0.33 | 0.39 | 0.44 | 0.50 | 0.35 | 0.41 | 0.46 | 0.53 | 0.37 | 0.43 | 0.49 | 0.56 | 0.39 | 0.46 | 0.52 | 0.60 | | | | |
| | | PI | 1.53 | 1.54 | 1.54 | 1.54 | 1.63 | 1.63 | 1.63 | 1.63 | 1.72 | 1.73 | 1.73 | 1.73 | 1.83 | 1.83 | 1.83 | 1.83 | | | | |
| | 32 | TC | 22266 | 22296 | 22321 | 22351 | 23604 | 23632 | 23660 | 23689 | 25015 | 25048 | 25080 | 25108 | 26523 | 26552 | 26585 | 26618 | | | | |
| | | S/T | 0.33 | 0.39 | 0.44 | 0.50 | 0.35 | 0.41 | 0.47 | 0.53 | 0.37 | 0.44 | 0.49 | 0.56 | 0.39 | 0.46 | 0.52 | 0.60 | | | | |
| | | PI | 1.55 | 1.55 | 1.55 | 1.56 | 1.64 | 1.64 | 1.65 | 1.65 | 1.74 | 1.74 | 1.75 | 1.75 | 1.85 | 1.85 | 1.85 | 1.85 | | | | |
| | 41 | TC | 22130 | 22160 | 22185 | 22215 | 23460 | 23488 | 23516 | 23544 | 24862 | 24895 | 24927 | 24955 | 26361 | 26390 | 26423 | 26455 | | | | |
| | | S/T | 0.33 | 0.39 | 0.44 | 0.50 | 0.35 | 0.41 | 0.47 | 0.54 | 0.37 | 0.44 | 0.50 | 0.57 | 0.40 | 0.46 | 0.53 | 0.60 | | | | |
| | | PI | 1.58 | 1.59 | 1.59 | 1.59 | 1.68 | 1.68 | 1.68 | 1.69 | 1.78 | 1.78 | 1.78 | 1.79 | 1.89 | 1.89 | 1.89 | 1.89 | | | | |
| | 47 | TC | 22028 | 22058 | 22083 | 22112 | 23352 | 23380 | 23408 | 23435 | 24748 | 24780 | 24812 | 24840 | 26240 | 26268 | 26301 | 26334 | | | | |
| | | S/T | 0.33 | 0.39 | 0.44 | 0.51 | 0.35 | 0.41 | 0.47 | 0.54 | 0.37 | 0.44 | 0.50 | 0.57 | 0.40 | 0.46 | 0.53 | 0.60 | | | | |
| | | PI | 1.61 | 1.62 | 1.62 | 1.62 | 1.71 | 1.71 | 1.72 | 1.72 | 1.81 | 1.82 | 1.82 | 1.82 | 1.92 | 1.92 | 1.93 | 1.93 | | | | |
| | 50 | TC | 21982 | 22012 | 22036 | 22066 | 23303 | 23331 | 23358 | 23386 | 24696 | 24728 | 24760 | 24788 | 26184 | 26213 | 26246 | 26278 | | | | |
| | | S/T | 0.33 | 0.39 | 0.44 | 0.51 | 0.35 | 0.42 | 0.47 | 0.54 | 0.37 | 0.44 | 0.50 | 0.57 | 0.40 | 0.47 | 0.53 | 0.60 | | | | |
| | | PI | 1.62 | 1.63 | 1.63 | 1.63 | 1.72 | 1.72 | 1.73 | 1.73 | 1.83 | 1.83 | 1.83 | 1.83 | 1.94 | 1.94 | 1.94 | 1.94 | | | | |
| | 59 | TC | 21843 | 21873 | 21897 | 21927 | 23156 | 23183 | 23211 | 23238 | 24540 | 24572 | 24604 | 24631 | 26019 | 26047 | 26080 | 26112 | | | | |
| | | S/T | 0.34 | 0.39 | 0.45 | 0.51 | 0.36 | 0.42 | 0.47 | 0.54 | 0.38 | 0.44 | 0.50 | 0.57 | 0.40 | 0.47 | 0.53 | 0.61 | | | | |
| | | PI | 1.66 | 1.66 | 1.66 | 1.66 | 1.76 | 1.76 | 1.76 | 1.76 | 1.86 | 1.86 | 1.87 | 1.87 | 1.97 | 1.98 | 1.98 | 1.98 | | | | |
| | 68 | TC | 21704 | 21734 | 21758 | 21787 | 23009 | 23036 | 23063 | 23091 | 24384 | 24415 | 24447 | 24475 | 25854 | 25882 | 25914 | 25946 | | | | |
| | | S/T | 0.34 | 0.40 | 0.45 | 0.51 | 0.36 | 0.42 | 0.48 | 0.54 | 0.38 | 0.44 | 0.51 | 0.58 | 0.40 | 0.47 | 0.54 | 0.61 | | | | |
| | | PI | 1.69 | 1.69 | 1.69 | 1.70 | 1.79 | 1.79 | 1.80 | 1.80 | 1.90 | 1.90 | 1.90 | 1.91 | 2.01 | 2.02 | 2.02 | 2.02 | | | | |
| | 77 | TC | 21566 | 21595 | 21619 | 21648 | 22862 | 22889 | 22916 | 22943 | 24228 | 24259 | 24291 | 24318 | 25688 | 25716 | 25748 | 25780 | | | | |
| | | S/T | 0.35 | 0.41 | 0.46 | 0.53 | 0.37 | 0.43 | 0.49 | 0.56 | 0.39 | 0.46 | 0.52 | 0.59 | 0.41 | 0.48 | 0.55 | 0.63 | | | | |
| | | PI | 1.72 | 1.72 | 1.73 | 1.73 | 1.83 | 1.83 | 1.83 | 1.83 | 1.94 | 1.94 | 1.94 | 1.94 | 2.05 | 2.05 | 2.06 | 2.06 | | | | |
| | 86 | TC | 18701 | 18726 | 18747 | 18772 | 19825 | 19848 | 19872 | 19895 | 21009 | 21036 | 21064 | 21087 | 22276 | 22300 | 22328 | 22355 | | | | |
| | | S/T | 0.35 | 0.41 | 0.47 | 0.53 | 0.37 | 0.44 | 0.50 | 0.56 | 0.39 | 0.46 | 0.53 | 0.60 | 0.42 | 0.49 | 0.56 | 0.63 | | | | |
| | | PI | 1.86 | 1.86 | 1.86 | 1.86 | 1.97 | 1.97 | 1.97 | 1.98 | 2.09 | 2.09 | 2.09 | 2.09 | 2.21 | 2.21 | 2.22 | 2.22 | | | | |
| | 95 | TC | 17933 | 17957 | 17977 | 18001 | 19010 | 19033 | 19056 | 19078 | 20146 | 20173 | 20199 | 20221 | 21361 | 21384 | 21411 | 21437 | | | | |
| | | S/T | 0.36 | 0.42 | 0.48 | 0.55 | 0.38 | 0.45 | 0.51 | 0.58 | 0.40 | 0.47 | 0.54 | 0.61 | 0.43 | 0.50 | 0.57 | 0.65 | | | | |
| | | PI | 1.91 | 1.92 | 1.92 | 1.92 | 2.03 | 2.03 | 2.03 | 2.04 | 2.15 | 2.15 | 2.15 | 2.16 | 2.28 | 2.28 | 2.28 | 2.29 | | | | |
| 104 | TC | 16286 | 16308 | 16326 | 16348 | 17264 | 17285 | 17305 | 17326 | 18296 | 18320 | 18344 | 18364 | 19399 | 19420 | 19444 | 19469 | | | | | |
| | S/T | 0.38 | 0.44 | 0.50 | 0.57 | 0.40 | 0.47 | 0.53 | 0.61 | 0.42 | 0.50 | 0.57 | 0.64 | 0.45 | 0.53 | 0.60 | 0.68 | | | | | |
| | PI | 4.03 | 4.04 | 4.04 | 4.05 | 4.27 | 4.28 | 4.28 | 4.29 | 4.53 | 4.54 | 4.54 | 4.55 | 4.80 | 4.81 | 4.81 | 4.82 | | | | | |
| 114.8 | TC | 14309 | 14328 | 14345 | 14364 | 15169 | 15187 | 15205 | 15223 | 16076 | 16097 | 16118 | 16135 | 17045 | 17063 | 17085 | 17106 | | | | | |
| | S/T | 0.38 | 0.45 | 0.51 | 0.58 | 0.40 | 0.48 | 0.54 | 0.62 | 0.43 | 0.50 | 0.57 | 0.65 | 0.46 | 0.53 | 0.61 | 0.69 | | | | | |
| | PI | 6.57 | 6.58 | 6.59 | 6.60 | 6.97 | 6.98 | 6.99 | 6.99 | 7.39 | 7.40 | 7.41 | 7.41 | 7.83 | 7.84 | 7.85 | 7.86 | | | | | |
| 122 | TC | 12992 | 13009 | 13024 | 13041 | 13772 | 13789 | 13805 | 13821 | 14595 | 14614 | 14633 | 14650 | 15475 | 15492 | 15511 | 15531 | | | | | |
| | S/T | 0.40 | 0.46 | 0.53 | 0.60 | 0.42 | 0.49 | 0.56 | 0.64 | 0.44 | 0.52 | 0.59 | 0.68 | 0.47 | 0.55 | 0.63 | 0.72 | | | | | |
| | PI | 8.27 | 8.28 | 8.29 | 8.30 | 8.77 | 8.78 | 8.79 | 8.80 | 9.29 | 9.30 | 9.31 | 9.32 | 9.85 | 9.86 | 9.87 | 9.89 | | | | | |

NON-DUCTED COOLING PERFORMANCE 24HH (Sheet 3 of 4)

| AIRFLOW (CFM) | OUTDOOR DB (°F) | ID WB (°F) | 60.8 | | | | 64.4 | | | | 66.2 | | | | 71.6 | | | | | | | |
|------------------|--------------------|------------|------------|-------|-------|-------|-------|-------|-------|-------|-------|-------|-------|-------|-------|-------|-------|-------|------|------|------|------|
| | | | ID DB (°F) | | | | 73.4 | 77.0 | 80.6 | 84.2 | 73.4 | 77.0 | 80.6 | 84.2 | 73.4 | 77.0 | 80.0 | 84.20 | 73.4 | 77.0 | 80.6 | 84.2 |
| | | | 73.4 | 77.0 | 80.6 | 84.2 | 73.4 | 77.0 | 80.6 | 84.2 | 73.4 | 77.0 | 80.0 | 84.20 | 73.4 | 77.0 | 80.6 | 84.2 | | | | |
| 960 | -22 | TC | 34306 | 34352 | 34390 | 34437 | 36367 | 36411 | 36454 | 36497 | 38541 | 38591 | 38641 | 38684 | 40864 | 40908 | 40959 | 41010 | | | | |
| | | S/T | 0.48 | 0.56 | 0.63 | 0.72 | 0.50 | 0.59 | 0.67 | 0.77 | 0.53 | 0.63 | 0.71 | 0.81 | 0.57 | 0.67 | 0.76 | 0.86 | | | | |
| | | PI | 2.12 | 2.12 | 2.12 | 2.13 | 2.25 | 2.25 | 2.25 | 2.26 | 2.38 | 2.38 | 2.39 | 2.39 | 2.52 | 2.53 | 2.53 | 2.53 | | | | |
| | -10 | TC | 34003 | 34048 | 34087 | 34133 | 36046 | 36089 | 36132 | 36175 | 38200 | 38250 | 38300 | 38342 | 40503 | 40547 | 40598 | 40648 | | | | |
| | | S/T | 0.48 | 0.56 | 0.64 | 0.73 | 0.51 | 0.60 | 0.68 | 0.77 | 0.54 | 0.63 | 0.72 | 0.82 | 0.57 | 0.67 | 0.76 | 0.87 | | | | |
| | | PI | 2.16 | 2.17 | 2.17 | 2.17 | 2.29 | 2.30 | 2.30 | 2.30 | 2.43 | 2.43 | 2.44 | 2.44 | 2.58 | 2.58 | 2.58 | 2.59 | | | | |
| | 0 | TC | 33750 | 33796 | 33834 | 33879 | 35779 | 35821 | 35864 | 35906 | 37917 | 37966 | 38015 | 38058 | 40203 | 40246 | 40296 | 40346 | | | | |
| | | S/T | 0.48 | 0.57 | 0.64 | 0.73 | 0.51 | 0.60 | 0.68 | 0.78 | 0.54 | 0.64 | 0.72 | 0.82 | 0.57 | 0.67 | 0.77 | 0.87 | | | | |
| | | PI | 2.20 | 2.20 | 2.21 | 2.21 | 2.33 | 2.34 | 2.34 | 2.34 | 2.47 | 2.48 | 2.48 | 2.48 | 2.62 | 2.62 | 2.63 | 2.63 | | | | |
| | 5 | TC | 33624 | 33669 | 33707 | 33752 | 35645 | 35687 | 35729 | 35772 | 37775 | 37824 | 37873 | 37915 | 40052 | 40096 | 40146 | 40196 | | | | |
| | | S/T | 0.48 | 0.57 | 0.64 | 0.73 | 0.51 | 0.60 | 0.68 | 0.78 | 0.54 | 0.64 | 0.72 | 0.83 | 0.58 | 0.68 | 0.77 | 0.88 | | | | |
| | | PI | 2.22 | 2.22 | 2.22 | 2.23 | 2.35 | 2.36 | 2.36 | 2.36 | 2.49 | 2.50 | 2.50 | 2.50 | 2.64 | 2.65 | 2.65 | 2.65 | | | | |
| | 14 | TC | 33397 | 33442 | 33479 | 33524 | 35404 | 35446 | 35488 | 35530 | 37520 | 37568 | 37617 | 37659 | 39782 | 39825 | 39874 | 39924 | | | | |
| | | S/T | 0.49 | 0.57 | 0.65 | 0.74 | 0.51 | 0.60 | 0.69 | 0.78 | 0.55 | 0.64 | 0.73 | 0.83 | 0.58 | 0.68 | 0.77 | 0.88 | | | | |
| | | PI | 2.25 | 2.26 | 2.26 | 2.26 | 2.39 | 2.39 | 2.39 | 2.40 | 2.53 | 2.53 | 2.54 | 2.54 | 2.68 | 2.69 | 2.69 | 2.69 | | | | |
| | 17 | TC | 33321 | 33366 | 33403 | 33448 | 35324 | 35366 | 35408 | 35450 | 37435 | 37483 | 37532 | 37574 | 39691 | 39734 | 39784 | 39833 | | | | |
| | | S/T | 0.49 | 0.57 | 0.65 | 0.74 | 0.52 | 0.61 | 0.69 | 0.78 | 0.55 | 0.64 | 0.73 | 0.83 | 0.58 | 0.68 | 0.77 | 0.88 | | | | |
| | | PI | 2.26 | 2.27 | 2.27 | 2.27 | 2.40 | 2.40 | 2.41 | 2.41 | 2.54 | 2.55 | 2.55 | 2.55 | 2.70 | 2.70 | 2.70 | 2.71 | | | | |
| | 23 | TC | 33220 | 33265 | 33302 | 33347 | 35217 | 35258 | 35300 | 35342 | 37321 | 37370 | 37418 | 37460 | 39571 | 39614 | 39663 | 39713 | | | | |
| | | S/T | 0.49 | 0.57 | 0.65 | 0.74 | 0.52 | 0.61 | 0.69 | 0.79 | 0.55 | 0.64 | 0.73 | 0.83 | 0.58 | 0.68 | 0.78 | 0.88 | | | | |
| | | PI | 2.28 | 2.28 | 2.28 | 2.29 | 2.42 | 2.42 | 2.42 | 2.42 | 2.56 | 2.56 | 2.57 | 2.57 | 2.71 | 2.72 | 2.72 | 2.72 | | | | |
| | 32 | TC | 33069 | 33113 | 33150 | 33195 | 35056 | 35098 | 35139 | 35181 | 37151 | 37199 | 37248 | 37289 | 39391 | 39433 | 39483 | 39532 | | | | |
| | | S/T | 0.49 | 0.58 | 0.65 | 0.75 | 0.52 | 0.61 | 0.69 | 0.79 | 0.55 | 0.65 | 0.74 | 0.84 | 0.58 | 0.69 | 0.78 | 0.89 | | | | |
| | | PI | 2.30 | 2.30 | 2.31 | 2.31 | 2.44 | 2.44 | 2.44 | 2.45 | 2.58 | 2.59 | 2.59 | 2.59 | 2.74 | 2.74 | 2.75 | 2.75 | | | | |
| | 41 | TC | 32867 | 32911 | 32948 | 32992 | 34842 | 34883 | 34925 | 34966 | 36924 | 36972 | 37020 | 37062 | 39150 | 39193 | 39241 | 39290 | | | | |
| | | S/T | 0.49 | 0.58 | 0.66 | 0.75 | 0.52 | 0.61 | 0.70 | 0.79 | 0.55 | 0.65 | 0.74 | 0.84 | 0.59 | 0.69 | 0.78 | 0.89 | | | | |
| | | PI | 2.35 | 2.36 | 2.36 | 2.36 | 2.49 | 2.50 | 2.50 | 2.50 | 2.64 | 2.65 | 2.65 | 2.65 | 2.80 | 2.81 | 2.81 | 2.81 | | | | |
| | 47 | TC | 32715 | 32759 | 32796 | 32840 | 34682 | 34723 | 34764 | 34805 | 36754 | 36802 | 36850 | 36891 | 38970 | 39012 | 39061 | 39109 | | | | |
| | | S/T | 0.49 | 0.58 | 0.66 | 0.75 | 0.52 | 0.61 | 0.70 | 0.80 | 0.56 | 0.65 | 0.74 | 0.84 | 0.59 | 0.69 | 0.78 | 0.89 | | | | |
| | | PI | 2.40 | 2.40 | 2.40 | 2.41 | 2.54 | 2.54 | 2.55 | 2.55 | 2.69 | 2.70 | 2.70 | 2.70 | 2.86 | 2.86 | 2.86 | 2.87 | | | | |
| | 50 | TC | 32647 | 32690 | 32727 | 32771 | 34609 | 34650 | 34691 | 34732 | 36677 | 36724 | 36772 | 36813 | 38888 | 38930 | 38979 | 39027 | | | | |
| | | S/T | 0.50 | 0.58 | 0.66 | 0.75 | 0.53 | 0.62 | 0.70 | 0.80 | 0.56 | 0.65 | 0.74 | 0.85 | 0.59 | 0.69 | 0.79 | 0.90 | | | | |
| | | PI | 2.41 | 2.42 | 2.42 | 2.42 | 2.56 | 2.56 | 2.56 | 2.57 | 2.71 | 2.71 | 2.72 | 2.72 | 2.87 | 2.88 | 2.88 | 2.88 | | | | |
| | 59 | TC | 32440 | 32484 | 32520 | 32564 | 34390 | 34431 | 34472 | 34513 | 36445 | 36493 | 36540 | 36581 | 38642 | 38684 | 38732 | 38781 | | | | |
| | | S/T | 0.50 | 0.58 | 0.66 | 0.76 | 0.53 | 0.62 | 0.70 | 0.80 | 0.56 | 0.66 | 0.75 | 0.85 | 0.59 | 0.70 | 0.79 | 0.90 | | | | |
| | | PI | 2.46 | 2.46 | 2.47 | 2.47 | 2.61 | 2.61 | 2.62 | 2.62 | 2.77 | 2.77 | 2.77 | 2.78 | 2.93 | 2.94 | 2.94 | 2.94 | | | | |
| | 68 | TC | 32234 | 32278 | 32314 | 32357 | 34172 | 34212 | 34253 | 34293 | 36214 | 36261 | 36308 | 36348 | 38397 | 38438 | 38486 | 38534 | | | | |
| | | S/T | 0.50 | 0.59 | 0.67 | 0.76 | 0.53 | 0.62 | 0.71 | 0.81 | 0.56 | 0.66 | 0.75 | 0.86 | 0.60 | 0.70 | 0.80 | 0.91 | | | | |
| | | PI | 2.51 | 2.51 | 2.52 | 2.52 | 2.66 | 2.66 | 2.67 | 2.67 | 2.82 | 2.82 | 2.83 | 2.83 | 2.99 | 2.99 | 3.00 | 3.00 | | | | |
| | 77 | TC | 32028 | 32071 | 32107 | 32150 | 33953 | 33993 | 34034 | 34074 | 35982 | 36029 | 36076 | 36116 | 38151 | 38193 | 38240 | 38288 | | | | |
| | | S/T | 0.51 | 0.60 | 0.69 | 0.78 | 0.54 | 0.64 | 0.73 | 0.83 | 0.58 | 0.68 | 0.77 | 0.88 | 0.61 | 0.72 | 0.82 | 0.93 | | | | |
| | | PI | 2.56 | 2.56 | 2.56 | 2.57 | 2.71 | 2.72 | 2.72 | 2.72 | 2.87 | 2.88 | 2.88 | 2.88 | 3.05 | 3.05 | 3.05 | 3.06 | | | | |
| | 86 | TC | 27773 | 27810 | 27842 | 27879 | 29442 | 29477 | 29512 | 29547 | 31202 | 31242 | 31283 | 31318 | 33083 | 33119 | 33160 | 33201 | | | | |
| | | S/T | 0.52 | 0.61 | 0.69 | 0.79 | 0.55 | 0.65 | 0.74 | 0.84 | 0.59 | 0.69 | 0.78 | 0.89 | 0.62 | 0.73 | 0.83 | 0.94 | | | | |
| | | PI | 2.76 | 2.76 | 2.76 | 2.77 | 2.92 | 2.93 | 2.93 | 2.93 | 3.10 | 3.10 | 3.11 | 3.11 | 3.28 | 3.29 | 3.29 | 3.30 | | | | |
| | 95 | TC | 26633 | 26668 | 26698 | 26734 | 28233 | 28267 | 28300 | 28334 | 29920 | 29959 | 29998 | 30032 | 31724 | 31759 | 31798 | 31838 | | | | |
| | | S/T | 0.53 | 0.63 | 0.71 | 0.81 | 0.57 | 0.66 | 0.75 | 0.86 | 0.60 | 0.70 | 0.80 | 0.91 | 0.64 | 0.75 | 0.85 | 0.97 | | | | |
| | | PI | 2.84 | 2.84 | 2.85 | 2.85 | 3.01 | 3.02 | 3.02 | 3.02 | 3.19 | 3.20 | 3.20 | 3.20 | 3.38 | 3.39 | 3.39 | 3.40 | | | | |
| 104 | TC | 24187 | 24219 | 24246 | 24279 | 25640 | 25671 | 25701 | 25732 | 27172 | 27208 | 27243 | 27274 | 28811 | 28842 | 28878 | 28914 | | | | | |
| | S/T | 0.56 | 0.66 | 0.75 | 0.85 | 0.59 | 0.70 | 0.79 | 0.90 | 0.63 | 0.74 | 0.84 | 0.96 | 0.67 | 0.78 | 0.89 | 1.02 | | | | | |
| | PI | 5.99 | 6.00 | 6.00 | 6.01 | 6.35 | 6.36 | 6.36 | 6.37 | 6.73 | 6.74 | 6.74 | 6.75 | 7.13 | 7.14 | 7.15 | 7.16 | | | | | |
| 114.8 | TC | 21251 | 21280 | 21304 | 21332 | 22529 | 22555 | 22582 | 22609 | 23875 | 23906 | 23937 | 23964 | 25314 | 25342 | 25373 | 25405 | | | | | |
| | S/T | 0.57 | 0.67 | 0.76 | 0.86 | 0.60 | 0.71 | 0.80 | 0.91 | 0.64 | 0.75 | 0.85 | 0.97 | 0.68 | 0.79 | 0.90 | 1.03 | | | | | |
| | PI | 9.76 | 9.78 | 9.79 | 9.80 | 10.35 | 10.36 | 10.38 | 10.39 | 10.97 | 10.98 | 11.00 | 11.01 | 11.63 | 11.64 | 11.66 | 11.67 | | | | | |
| 122 | TC | 19294 | 19320 | 19342 | 19368 | 20454 | 20478 | 20503 | 20527 | 21676 | 21705 | 21733 | 21757 | 22983 | 23008 | 23037 | 23065 | | | | | |
| | S/T | 0.59 | 0.69 | 0.78 | 0.89 | 0.62 | 0.73 | 0.83 | 0.95 | 0.66 | 0.77 | 0.88 | 1.00 | 0.70 | 0.82 | 0.93 | 1.06 | | | | | |
| | PI | 12.28 | 12.30 | 12.31 | 12.33 | 13.02 | 13.04 | 13.05 | 13.07 | 13.80 | 13.82 | 13.83 | 13.85 | 14.63 | 14.65 | 14.66 | 14.68 | | | | | |

NON-DUCTED COOLING PERFORMANCE 24HH (Sheet 4 of 4)

| AIRFLOW (CFM) | OUTDOOR DB (°F) | ID WB (°F) | 60.8 | | | | 64.4 | | | | 66.2 | | | | 71.6 | | | | |
|---------------|-----------------|------------|------------|-------|-------|-------|-------|-------|-------|-------|-------|-------|-------|-------|-------|-------|-------|-------|------|
| | | | ID DB (°F) | 73.4 | 77.0 | 80.6 | 84.2 | 73.4 | 77.0 | 80.6 | 84.2 | 73.4 | 77.0 | 80.0 | 84.20 | 73.4 | 77.0 | 80.6 | 84.2 |
| | | | | 73.4 | 77.0 | 80.6 | 84.2 | 73.4 | 77.0 | 80.6 | 84.2 | 73.4 | 77.0 | 80.0 | 84.20 | 73.4 | 77.0 | 80.6 | 84.2 |
| 1050 | -22 | TC | 37150 | 37200 | 37242 | 37292 | 39383 | 39430 | 39476 | 39523 | 41736 | 41791 | 41845 | 41892 | 44253 | 44301 | 44356 | 44411 | |
| | | S/T | 0.52 | 0.60 | 0.69 | 0.78 | 0.55 | 0.64 | 0.73 | 0.83 | 0.58 | 0.68 | 0.77 | 0.88 | 0.61 | 0.72 | 0.82 | 0.93 | |
| | | PI | 2.30 | 2.30 | 2.30 | 2.30 | 2.43 | 2.44 | 2.44 | 2.44 | 2.58 | 2.58 | 2.59 | 2.59 | 2.73 | 2.74 | 2.74 | 2.74 | |
| | -10 | TC | 36822 | 36872 | 36913 | 36963 | 39035 | 39082 | 39128 | 39174 | 41368 | 41422 | 41476 | 41522 | 43862 | 43909 | 43964 | 44019 | |
| | | S/T | 0.52 | 0.61 | 0.69 | 0.79 | 0.55 | 0.65 | 0.73 | 0.84 | 0.58 | 0.68 | 0.78 | 0.89 | 0.62 | 0.73 | 0.82 | 0.94 | |
| | | PI | 2.34 | 2.35 | 2.35 | 2.35 | 2.48 | 2.49 | 2.49 | 2.49 | 2.63 | 2.64 | 2.64 | 2.64 | 2.79 | 2.79 | 2.80 | 2.80 | |
| | 0 | TC | 36549 | 36598 | 36639 | 36688 | 38746 | 38791 | 38837 | 38883 | 41061 | 41114 | 41168 | 41214 | 43536 | 43583 | 43638 | 43692 | |
| | | S/T | 0.52 | 0.61 | 0.70 | 0.79 | 0.55 | 0.65 | 0.74 | 0.84 | 0.59 | 0.69 | 0.78 | 0.89 | 0.62 | 0.73 | 0.83 | 0.94 | |
| | | PI | 2.38 | 2.39 | 2.39 | 2.39 | 2.53 | 2.53 | 2.53 | 2.54 | 2.68 | 2.68 | 2.68 | 2.68 | 2.89 | 2.84 | 2.84 | 2.85 | |
| | 5 | TC | 36412 | 36461 | 36502 | 36551 | 38601 | 38646 | 38692 | 38738 | 40907 | 40960 | 41014 | 41059 | 43373 | 43420 | 43474 | 43529 | |
| | | S/T | 0.52 | 0.61 | 0.70 | 0.80 | 0.55 | 0.65 | 0.74 | 0.84 | 0.59 | 0.69 | 0.78 | 0.89 | 0.62 | 0.73 | 0.83 | 0.95 | |
| | | PI | 2.40 | 2.41 | 2.41 | 2.41 | 2.55 | 2.55 | 2.55 | 2.56 | 2.70 | 2.70 | 2.71 | 2.71 | 2.86 | 2.87 | 2.87 | 2.87 | |
| | 14 | TC | 36166 | 36215 | 36255 | 36304 | 38340 | 38385 | 38431 | 38476 | 40631 | 40684 | 40737 | 40782 | 43080 | 43127 | 43181 | 43235 | |
| | | S/T | 0.53 | 0.62 | 0.70 | 0.80 | 0.56 | 0.65 | 0.74 | 0.85 | 0.59 | 0.69 | 0.79 | 0.90 | 0.63 | 0.74 | 0.84 | 0.95 | |
| | | PI | 2.44 | 2.44 | 2.45 | 2.45 | 2.59 | 2.59 | 2.59 | 2.60 | 2.74 | 2.74 | 2.75 | 2.75 | 2.91 | 2.91 | 2.91 | 2.92 | |
| | 17 | TC | 36084 | 36133 | 36173 | 36222 | 38253 | 38298 | 38344 | 38389 | 40539 | 40591 | 40644 | 40690 | 42983 | 43029 | 43083 | 43136 | |
| | | S/T | 0.53 | 0.62 | 0.70 | 0.80 | 0.56 | 0.66 | 0.75 | 0.85 | 0.59 | 0.69 | 0.79 | 0.90 | 0.63 | 0.74 | 0.84 | 0.95 | |
| | | PI | 2.45 | 2.45 | 2.46 | 2.46 | 2.60 | 2.60 | 2.61 | 2.61 | 2.75 | 2.76 | 2.76 | 2.76 | 2.92 | 2.92 | 2.93 | 2.93 | |
| | 23 | TC | 35975 | 36023 | 36064 | 36112 | 38137 | 38182 | 38227 | 38273 | 40416 | 40468 | 40521 | 40566 | 42852 | 42899 | 42952 | 43006 | |
| | | S/T | 0.53 | 0.62 | 0.70 | 0.80 | 0.56 | 0.66 | 0.75 | 0.85 | 0.59 | 0.70 | 0.79 | 0.90 | 0.63 | 0.74 | 0.84 | 0.96 | |
| | | PI | 2.47 | 2.47 | 2.47 | 2.48 | 2.62 | 2.62 | 2.62 | 2.63 | 2.77 | 2.78 | 2.78 | 2.78 | 2.94 | 2.94 | 2.95 | 2.95 | |
| | 32 | TC | 35811 | 35859 | 35899 | 35948 | 37963 | 38008 | 38053 | 38098 | 40232 | 40284 | 40336 | 40381 | 42657 | 42703 | 42756 | 42810 | |
| | | S/T | 0.53 | 0.62 | 0.71 | 0.81 | 0.56 | 0.66 | 0.75 | 0.86 | 0.60 | 0.70 | 0.80 | 0.91 | 0.63 | 0.74 | 0.84 | 0.96 | |
| | | PI | 2.49 | 2.50 | 2.50 | 2.50 | 2.64 | 2.64 | 2.65 | 2.65 | 2.80 | 2.80 | 2.81 | 2.81 | 2.97 | 2.97 | 2.97 | 2.98 | |
| | 41 | TC | 35592 | 35640 | 35680 | 35728 | 37731 | 37776 | 37821 | 37866 | 39986 | 40038 | 40090 | 40135 | 42396 | 42443 | 42495 | 42548 | |
| | | S/T | 0.53 | 0.63 | 0.71 | 0.81 | 0.57 | 0.66 | 0.75 | 0.86 | 0.60 | 0.70 | 0.80 | 0.91 | 0.64 | 0.75 | 0.85 | 0.97 | |
| | | PI | 2.55 | 2.55 | 2.55 | 2.56 | 2.70 | 2.70 | 2.71 | 2.71 | 2.86 | 2.87 | 2.87 | 2.87 | 3.03 | 3.04 | 3.04 | 3.05 | |
| | 47 | TC | 35428 | 35476 | 35515 | 35563 | 37557 | 37602 | 37646 | 37691 | 39802 | 39853 | 39905 | 39950 | 42201 | 42247 | 42300 | 42352 | |
| | | S/T | 0.54 | 0.63 | 0.71 | 0.81 | 0.57 | 0.67 | 0.76 | 0.86 | 0.60 | 0.71 | 0.80 | 0.91 | 0.64 | 0.75 | 0.85 | 0.97 | |
| | | PI | 2.60 | 2.60 | 2.60 | 2.61 | 2.75 | 2.76 | 2.76 | 2.76 | 2.92 | 2.92 | 2.92 | 2.93 | 3.09 | 3.10 | 3.10 | 3.10 | |
| | 50 | TC | 35354 | 35401 | 35441 | 35489 | 37478 | 37523 | 37567 | 37612 | 39718 | 39770 | 39821 | 39866 | 42112 | 42158 | 42211 | 42263 | |
| | | S/T | 0.54 | 0.63 | 0.72 | 0.82 | 0.57 | 0.67 | 0.76 | 0.86 | 0.60 | 0.71 | 0.80 | 0.92 | 0.64 | 0.75 | 0.85 | 0.97 | |
| | | PI | 2.61 | 2.62 | 2.62 | 2.62 | 2.77 | 2.77 | 2.78 | 2.78 | 2.94 | 2.94 | 2.94 | 2.95 | 3.11 | 3.12 | 3.12 | 3.12 | |
| | 59 | TC | 35130 | 35178 | 35217 | 35265 | 37242 | 37286 | 37330 | 37374 | 39467 | 39519 | 39570 | 39614 | 41846 | 41892 | 41944 | 41996 | |
| | | S/T | 0.54 | 0.63 | 0.72 | 0.82 | 0.57 | 0.67 | 0.76 | 0.87 | 0.61 | 0.71 | 0.81 | 0.92 | 0.64 | 0.75 | 0.86 | 0.98 | |
| | | PI | 2.67 | 2.67 | 2.67 | 2.68 | 2.83 | 2.83 | 2.83 | 2.84 | 2.99 | 3.00 | 3.00 | 3.01 | 3.18 | 3.18 | 3.18 | 3.19 | |
| | 68 | TC | 34907 | 34954 | 34993 | 35040 | 37005 | 37049 | 37093 | 37137 | 39216 | 39267 | 39318 | 39362 | 41581 | 41626 | 41678 | 41729 | |
| | | S/T | 0.54 | 0.64 | 0.72 | 0.82 | 0.57 | 0.67 | 0.77 | 0.87 | 0.61 | 0.71 | 0.81 | 0.93 | 0.65 | 0.76 | 0.86 | 0.98 | |
| | | PI | 2.72 | 2.72 | 2.72 | 2.73 | 2.88 | 2.88 | 2.89 | 2.89 | 3.05 | 3.06 | 3.06 | 3.06 | 3.24 | 3.24 | 3.25 | 3.25 | |
| | 77 | TC | 34684 | 34730 | 34769 | 34816 | 36768 | 36812 | 36856 | 36899 | 38966 | 39016 | 39067 | 39111 | 41315 | 41360 | 41411 | 41463 | |
| | | S/T | 0.56 | 0.65 | 0.74 | 0.85 | 0.59 | 0.69 | 0.79 | 0.90 | 0.63 | 0.73 | 0.83 | 0.95 | 0.66 | 0.78 | 0.88 | 1.01 | |
| | | PI | 2.77 | 2.77 | 2.78 | 2.78 | 2.94 | 2.94 | 2.94 | 2.95 | 3.11 | 3.12 | 3.12 | 3.12 | 3.30 | 3.30 | 3.31 | 3.31 | |
| | 86 | TC | 30076 | 30117 | 30150 | 30191 | 31884 | 31922 | 31959 | 31997 | 33789 | 33833 | 33877 | 33915 | 35826 | 35865 | 35910 | 35954 | |
| | | S/T | 0.56 | 0.66 | 0.75 | 0.86 | 0.60 | 0.70 | 0.80 | 0.91 | 0.63 | 0.74 | 0.84 | 0.96 | 0.67 | 0.79 | 0.90 | 1.02 | |
| | | PI | 2.99 | 2.99 | 2.99 | 3.00 | 3.17 | 3.17 | 3.17 | 3.18 | 3.36 | 3.36 | 3.36 | 3.37 | 3.56 | 3.56 | 3.57 | 3.57 | |
| | 95 | TC | 28841 | 28880 | 28912 | 28951 | 30574 | 30611 | 30647 | 30683 | 32402 | 32444 | 32486 | 32522 | 34355 | 34392 | 34435 | 34478 | |
| | | S/T | 0.58 | 0.68 | 0.77 | 0.88 | 0.61 | 0.72 | 0.82 | 0.93 | 0.65 | 0.76 | 0.87 | 0.99 | 0.69 | 0.81 | 0.92 | 1.05 | |
| | | PI | 3.08 | 3.08 | 3.08 | 3.09 | 3.26 | 3.27 | 3.27 | 3.27 | 3.46 | 3.46 | 3.47 | 3.47 | 3.66 | 3.67 | 3.67 | 3.68 | |
| | 104 | TC | 26192 | 26227 | 26257 | 26292 | 27766 | 27799 | 27832 | 27865 | 29426 | 29464 | 29502 | 29535 | 31199 | 31233 | 31272 | 31311 | |
| | | S/T | 0.61 | 0.71 | 0.81 | 0.92 | 0.64 | 0.76 | 0.86 | 0.98 | 0.68 | 0.80 | 0.91 | 1.04 | 0.72 | 0.85 | 0.96 | 1.10 | |
| | | PI | 6.48 | 6.49 | 6.50 | 6.51 | 6.87 | 6.88 | 6.89 | 6.90 | 7.28 | 7.29 | 7.30 | 7.31 | 7.72 | 7.73 | 7.74 | 7.75 | |
| | 114.8 | TC | 23013 | 23044 | 23070 | 23101 | 24397 | 24426 | 24454 | 24484 | 25854 | 25888 | 25922 | 25951 | 27413 | 27443 | 27477 | 27511 | |
| | | S/T | 0.61 | 0.72 | 0.82 | 0.93 | 0.65 | 0.76 | 0.87 | 0.99 | 0.69 | 0.81 | 0.92 | 1.05 | 0.73 | 0.86 | 0.98 | 1.11 | |
| | | PI | 10.57 | 10.59 | 10.60 | 10.61 | 11.21 | 11.22 | 11.24 | 11.25 | 11.88 | 11.89 | 11.91 | 11.92 | 12.60 | 12.61 | 12.62 | 12.64 | |
| | 122 | TC | 20894 | 20922 | 20946 | 20974 | 22150 | 22176 | 22203 | 22229 | 23474 | 23504 | 23535 | 23561 | 24889 | 24916 | 24947 | 24978 | |
| | | S/T | 0.64 | 0.75 | 0.85 | 0.97 | 0.67 | 0.79 | 0.90 | 1.02 | 0.71 | 0.84 | 0.95 | 1.09 | 0.76 | 0.89 | 1.01 | 1.15 | |
| | | PI | 13.30 | 13.32 | 13.33 | 13.35 | 14.10 | 14.12 | 14.13 | 14.15 | 14.94 | 14.96 | 14.98 | 15.00 | 15.84 | 15.86 | 15.88 | 15.90 | |

NOTE: Data highlighted in gray is extrapolated data and not actual test data. At 77°F outdoor conditions sweat protection activates causing a decrease in total capacity.

LEGEND

- TC - Total Net Capacity (Btu/hour)
- S/T: Sensible Cooling Capacity Ratio
- PI: Power Input (kW)
- Extrapolated Data

COOLING PERFORMANCE NON-DUCTED

COOLING PERFORMANCE 30HH (HIGH HEAT).

NON-DUCTED COOLING PERFORMANCE 30HH (Sheet 1 of 4)

| AIRFLOW (CFM) | OUTDOOR DB (°F) | ID WB (°F) | ID DB (°F) | 60.8 | | | | 64.4 | | | | 66.2 | | | | 71.6 | | | |
|---------------|-----------------|------------|------------|-------|-------|-------|-------|-------|-------|-------|-------|-------|-------|-------|-------|-------|-------|-------|------|
| | | | | 73.4 | 77.0 | 80.6 | 84.2 | 73.4 | 77.0 | 80.6 | 84.2 | 73.4 | 77.0 | 80.0 | 84.20 | 73.4 | 77.0 | 80.6 | 84.2 |
| 656 | -22 | TC | 20528 | 20556 | 20579 | 20607 | 21762 | 21788 | 21814 | 21840 | 23062 | 23092 | 23122 | 23148 | 24453 | 24479 | 24510 | 24540 | |
| | | S/T | 0.22 | 0.25 | 0.29 | 0.33 | 0.23 | 0.27 | 0.31 | 0.35 | 0.24 | 0.28 | 0.32 | 0.37 | 0.26 | 0.30 | 0.34 | 0.39 | |
| | | PI | 1.13 | 1.13 | 1.13 | 1.13 | 1.20 | 1.20 | 1.20 | 1.20 | 1.27 | 1.27 | 1.27 | 1.27 | 1.34 | 1.34 | 1.35 | 1.35 | |
| | -10 | TC | 20259 | 20286 | 20309 | 20336 | 21477 | 21502 | 21528 | 21553 | 22760 | 22790 | 22819 | 22845 | 24132 | 24158 | 24188 | 24219 | |
| | | S/T | 0.22 | 0.26 | 0.29 | 0.33 | 0.23 | 0.27 | 0.31 | 0.35 | 0.24 | 0.29 | 0.33 | 0.37 | 0.26 | 0.30 | 0.35 | 0.39 | |
| | | PI | 1.16 | 1.16 | 1.17 | 1.17 | 1.23 | 1.23 | 1.24 | 1.24 | 1.31 | 1.31 | 1.31 | 1.31 | 1.38 | 1.39 | 1.39 | 1.39 | |
| | 0 | TC | 20035 | 20062 | 20084 | 20111 | 21239 | 21264 | 21289 | 21314 | 22508 | 22537 | 22567 | 22592 | 23865 | 23891 | 23921 | 23950 | |
| | | S/T | 0.22 | 0.26 | 0.29 | 0.33 | 0.23 | 0.27 | 0.31 | 0.35 | 0.25 | 0.29 | 0.33 | 0.37 | 0.26 | 0.31 | 0.35 | 0.40 | |
| | | PI | 1.19 | 1.19 | 1.19 | 1.20 | 1.26 | 1.26 | 1.27 | 1.27 | 1.34 | 1.34 | 1.34 | 1.34 | 1.42 | 1.42 | 1.42 | 1.42 | |
| | 5 | TC | 19922 | 19949 | 19972 | 19999 | 21120 | 21145 | 21170 | 21195 | 22382 | 22411 | 22440 | 22465 | 23731 | 23757 | 23787 | 23816 | |
| | | S/T | 0.22 | 0.26 | 0.29 | 0.33 | 0.23 | 0.27 | 0.31 | 0.35 | 0.25 | 0.29 | 0.33 | 0.37 | 0.26 | 0.31 | 0.35 | 0.40 | |
| | | PI | 1.21 | 1.21 | 1.21 | 1.21 | 1.28 | 1.28 | 1.28 | 1.28 | 1.35 | 1.36 | 1.36 | 1.36 | 1.44 | 1.44 | 1.44 | 1.44 | |
| | 14 | TC | 19721 | 19747 | 19769 | 19796 | 20906 | 20931 | 20955 | 20980 | 22155 | 22184 | 22213 | 22238 | 23491 | 23516 | 23546 | 23575 | |
| | | S/T | 0.22 | 0.26 | 0.29 | 0.34 | 0.23 | 0.27 | 0.31 | 0.36 | 0.25 | 0.29 | 0.33 | 0.38 | 0.26 | 0.31 | 0.35 | 0.40 | |
| | | PI | 1.23 | 1.23 | 1.23 | 1.24 | 1.31 | 1.31 | 1.31 | 1.31 | 1.38 | 1.38 | 1.39 | 1.39 | 1.47 | 1.47 | 1.47 | 1.47 | |
| | 17 | TC | 19653 | 19680 | 19702 | 19728 | 20834 | 20859 | 20884 | 20909 | 22079 | 22108 | 22137 | 22162 | 23411 | 23436 | 23465 | 23494 | |
| | | S/T | 0.22 | 0.26 | 0.29 | 0.34 | 0.23 | 0.27 | 0.31 | 0.36 | 0.25 | 0.29 | 0.33 | 0.38 | 0.26 | 0.31 | 0.35 | 0.40 | |
| | | PI | 1.24 | 1.24 | 1.24 | 1.24 | 1.31 | 1.32 | 1.32 | 1.32 | 1.39 | 1.39 | 1.40 | 1.40 | 1.48 | 1.48 | 1.48 | 1.48 | |
| | 23 | TC | 19564 | 19590 | 19612 | 19638 | 20739 | 20764 | 20789 | 20813 | 21979 | 22007 | 22036 | 22060 | 23304 | 23329 | 23358 | 23387 | |
| | | S/T | 0.22 | 0.26 | 0.30 | 0.34 | 0.24 | 0.28 | 0.31 | 0.36 | 0.25 | 0.29 | 0.33 | 0.38 | 0.26 | 0.31 | 0.35 | 0.40 | |
| | | PI | 1.25 | 1.25 | 1.25 | 1.25 | 1.32 | 1.32 | 1.32 | 1.33 | 1.40 | 1.40 | 1.40 | 1.40 | 1.48 | 1.49 | 1.49 | 1.49 | |
| | 32 | TC | 19429 | 19455 | 19477 | 19503 | 20597 | 20621 | 20645 | 20670 | 21827 | 21856 | 21884 | 21909 | 23143 | 23168 | 23197 | 23226 | |
| | | S/T | 0.22 | 0.26 | 0.30 | 0.34 | 0.24 | 0.28 | 0.31 | 0.36 | 0.25 | 0.29 | 0.33 | 0.38 | 0.27 | 0.31 | 0.35 | 0.40 | |
| | | PI | 1.25 | 1.26 | 1.26 | 1.26 | 1.33 | 1.33 | 1.33 | 1.33 | 1.41 | 1.41 | 1.41 | 1.41 | 1.49 | 1.50 | 1.50 | 1.50 | |
| | 41 | TC | 19249 | 19275 | 19297 | 19323 | 20406 | 20431 | 20455 | 20479 | 21626 | 21654 | 21682 | 21706 | 22950 | 22974 | 22983 | 23012 | |
| | | S/T | 0.22 | 0.26 | 0.30 | 0.34 | 0.24 | 0.28 | 0.32 | 0.36 | 0.25 | 0.30 | 0.34 | 0.38 | 0.27 | 0.31 | 0.36 | 0.41 | |
| | | PI | 1.27 | 1.27 | 1.27 | 1.27 | 1.34 | 1.34 | 1.34 | 1.35 | 1.42 | 1.42 | 1.43 | 1.43 | 1.51 | 1.51 | 1.51 | 1.51 | |
| | 47 | TC | 19115 | 19141 | 19162 | 19188 | 20264 | 20288 | 20312 | 20336 | 21475 | 21502 | 21530 | 21554 | 22769 | 22794 | 22822 | 22851 | |
| | | S/T | 0.22 | 0.26 | 0.30 | 0.34 | 0.24 | 0.28 | 0.32 | 0.36 | 0.25 | 0.30 | 0.34 | 0.38 | 0.27 | 0.31 | 0.36 | 0.41 | |
| | | PI | 1.27 | 1.28 | 1.28 | 1.28 | 1.35 | 1.35 | 1.35 | 1.36 | 1.43 | 1.43 | 1.44 | 1.44 | 1.52 | 1.52 | 1.52 | 1.52 | |
| | 50 | TC | 19099 | 19124 | 19146 | 19172 | 20246 | 20270 | 20294 | 20319 | 21456 | 21484 | 21512 | 21536 | 22750 | 22775 | 22803 | 22831 | |
| | | S/T | 0.23 | 0.26 | 0.30 | 0.34 | 0.24 | 0.28 | 0.32 | 0.36 | 0.25 | 0.30 | 0.34 | 0.38 | 0.27 | 0.31 | 0.36 | 0.41 | |
| | | PI | 1.28 | 1.28 | 1.28 | 1.28 | 1.35 | 1.36 | 1.36 | 1.36 | 1.43 | 1.44 | 1.44 | 1.44 | 1.52 | 1.52 | 1.53 | 1.53 | |
| | 59 | TC | 19050 | 19075 | 19097 | 19123 | 20195 | 20219 | 20243 | 20267 | 21402 | 21429 | 21457 | 21481 | 22692 | 22716 | 22745 | 22773 | |
| | | S/T | 0.23 | 0.27 | 0.30 | 0.34 | 0.24 | 0.28 | 0.32 | 0.36 | 0.25 | 0.30 | 0.34 | 0.39 | 0.27 | 0.32 | 0.36 | 0.41 | |
| | | PI | 1.29 | 1.29 | 1.29 | 1.29 | 1.36 | 1.37 | 1.37 | 1.37 | 1.45 | 1.45 | 1.45 | 1.45 | 1.53 | 1.53 | 1.54 | 1.54 | |
| | 68 | TC | 19001 | 19027 | 19048 | 19074 | 20143 | 20167 | 20191 | 20215 | 21347 | 21375 | 21402 | 21426 | 22634 | 22658 | 22686 | 22715 | |
| | | S/T | 0.23 | 0.27 | 0.30 | 0.35 | 0.24 | 0.28 | 0.32 | 0.37 | 0.26 | 0.30 | 0.34 | 0.39 | 0.27 | 0.32 | 0.36 | 0.41 | |
| | | PI | 1.30 | 1.30 | 1.30 | 1.30 | 1.37 | 1.38 | 1.38 | 1.38 | 1.46 | 1.46 | 1.46 | 1.46 | 1.54 | 1.55 | 1.55 | 1.55 | |
| | 77 | TC | 18952 | 18978 | 18999 | 19025 | 20091 | 20115 | 20139 | 20163 | 21292 | 21320 | 21347 | 21371 | 22576 | 22600 | 22628 | 22656 | |
| | | S/T | 0.23 | 0.27 | 0.31 | 0.35 | 0.25 | 0.29 | 0.33 | 0.38 | 0.26 | 0.31 | 0.35 | 0.40 | 0.28 | 0.33 | 0.37 | 0.42 | |
| | | PI | 1.31 | 1.31 | 1.31 | 1.31 | 1.38 | 1.39 | 1.39 | 1.39 | 1.47 | 1.47 | 1.47 | 1.47 | 1.55 | 1.56 | 1.56 | 1.56 | |
| | 86 | TC | 16406 | 16428 | 16446 | 16468 | 17392 | 17412 | 17433 | 17454 | 18431 | 18455 | 18479 | 18500 | 19542 | 19563 | 19588 | 19612 | |
| | | S/T | 0.24 | 0.28 | 0.32 | 0.36 | 0.25 | 0.29 | 0.33 | 0.38 | 0.27 | 0.31 | 0.35 | 0.40 | 0.28 | 0.33 | 0.38 | 0.43 | |
| | | PI | 1.41 | 1.42 | 1.42 | 1.42 | 1.50 | 1.50 | 1.50 | 1.50 | 1.59 | 1.59 | 1.59 | 1.59 | 1.68 | 1.69 | 1.69 | 1.69 | |
| | 95 | TC | 15781 | 15802 | 15819 | 15841 | 16729 | 16749 | 16769 | 16789 | 17729 | 17752 | 17775 | 17795 | 18797 | 18818 | 18841 | 18865 | |
| | | S/T | 0.24 | 0.28 | 0.32 | 0.37 | 0.26 | 0.30 | 0.34 | 0.39 | 0.27 | 0.32 | 0.36 | 0.41 | 0.29 | 0.34 | 0.39 | 0.44 | |
| | | PI | 1.45 | 1.45 | 1.45 | 1.45 | 1.53 | 1.54 | 1.54 | 1.54 | 1.62 | 1.63 | 1.63 | 1.63 | 1.72 | 1.72 | 1.73 | 1.73 | |
| 104 | TC | 13658 | 13676 | 13692 | 13710 | 14479 | 14496 | 14513 | 14530 | 15344 | 15364 | 15384 | 15401 | 16269 | 16287 | 16307 | 16327 | | |
| | S/T | 0.25 | 0.30 | 0.34 | 0.39 | 0.27 | 0.32 | 0.36 | 0.41 | 0.29 | 0.34 | 0.38 | 0.43 | 0.30 | 0.36 | 0.40 | 0.46 | | |
| | PI | 3.11 | 3.12 | 3.12 | 3.12 | 3.30 | 3.30 | 3.31 | 3.31 | 3.50 | 3.50 | 3.51 | 3.51 | 3.71 | 3.71 | 3.72 | 3.72 | | |
| 114.8 | TC | 11111 | 11126 | 11138 | 11153 | 11778 | 11792 | 11806 | 11820 | 12482 | 12499 | 12515 | 12529 | 13235 | 13249 | 13266 | 13282 | | |
| | S/T | 0.26 | 0.30 | 0.34 | 0.39 | 0.27 | 0.32 | 0.36 | 0.42 | 0.29 | 0.34 | 0.39 | 0.44 | 0.31 | 0.36 | 0.41 | 0.47 | | |
| | PI | 5.11 | 5.12 | 5.12 | 5.13 | 5.42 | 5.43 | 5.43 | 5.44 | 5.74 | 5.75 | 5.76 | 5.76 | 6.09 | 6.10 | 6.10 | 6.11 | | |
| 122 | TC | 9413 | 9425 | 9436 | 9448 | 9978 | 9990 | 10002 | 10014 | 10575 | 10588 | 10602 | 10614 | 11212 | 11224 | 11238 | 11252 | | |
| | S/T | 0.27 | 0.31 | 0.36 | 0.41 | 0.28 | 0.33 | 0.38 | 0.43 | 0.30 | 0.35 | 0.40 | 0.46 | 0.32 | 0.37 | 0.42 | 0.48 | | |
| | PI | 6.45 | 6.45 | 6.46 | 6.47 | 6.83 | 6.84 | 6.85 | 6.86 | 7.24 | 7.25 | 7.26 | 7.27 | 7.68 | 7.69 | 7.70 | 7.70 | | |

NON-DUCTED COOLING PERFORMANCE 30HH (Sheet 2 of 4)

| AIRFLOW (CFM) | OUTDOOR DB (°F) | ID WB (°F) ID DB (°F) | 60.8 | | | | 64.4 | | | | 66.2 | | | | 71.6 | | | |
|---------------|-----------------|--------------------------|-------|-------|-------|-------|-------|-------|-------|-------|-------|-------|-------|-------|-------|-------|-------|-------|
| | | | 73.4 | 77.0 | 80.6 | 84.2 | 73.4 | 77.0 | 80.6 | 84.2 | 73.4 | 77.0 | 80.0 | 84.20 | 73.4 | 77.0 | 80.6 | 84.2 |
| 854 | -22 | TC | 26460 | 26495 | 26525 | 26561 | 28050 | 28083 | 28116 | 28150 | 29726 | 29765 | 29803 | 29837 | 31518 | 31552 | 31592 | 31631 |
| | | S/T | 0.32 | 0.38 | 0.43 | 0.49 | 0.34 | 0.40 | 0.45 | 0.52 | 0.36 | 0.42 | 0.48 | 0.55 | 0.38 | 0.45 | 0.51 | 0.58 |
| | | PI | 1.67 | 1.67 | 1.67 | 1.67 | 1.77 | 1.77 | 1.77 | 1.77 | 1.87 | 1.87 | 1.88 | 1.88 | 1.98 | 1.99 | 1.99 | 1.99 |
| | -10 | TC | 26113 | 26148 | 26177 | 26212 | 27682 | 27715 | 27748 | 27781 | 29336 | 29374 | 29413 | 29445 | 31105 | 31139 | 31177 | 31216 |
| | | S/T | 0.32 | 0.38 | 0.43 | 0.49 | 0.34 | 0.40 | 0.46 | 0.52 | 0.36 | 0.43 | 0.48 | 0.55 | 0.38 | 0.45 | 0.51 | 0.58 |
| | | PI | 1.72 | 1.72 | 1.72 | 1.72 | 1.82 | 1.82 | 1.82 | 1.83 | 1.93 | 1.93 | 1.93 | 1.94 | 2.04 | 2.05 | 2.05 | 2.05 |
| | 0 | TC | 25823 | 25858 | 25887 | 25922 | 27376 | 27408 | 27440 | 27473 | 29011 | 29049 | 29087 | 29119 | 30760 | 30794 | 30832 | 30871 |
| | | S/T | 0.32 | 0.38 | 0.43 | 0.49 | 0.34 | 0.40 | 0.46 | 0.52 | 0.36 | 0.43 | 0.49 | 0.55 | 0.39 | 0.45 | 0.52 | 0.59 |
| | | PI | 1.76 | 1.76 | 1.76 | 1.77 | 1.86 | 1.87 | 1.87 | 1.87 | 1.98 | 1.98 | 1.98 | 1.98 | 2.09 | 2.10 | 2.10 | 2.10 |
| | 5 | TC | 25679 | 25713 | 25742 | 25777 | 27222 | 27255 | 27287 | 27319 | 28849 | 28886 | 28924 | 28956 | 30588 | 30621 | 30659 | 30698 |
| | | S/T | 0.33 | 0.38 | 0.43 | 0.50 | 0.35 | 0.41 | 0.46 | 0.52 | 0.37 | 0.43 | 0.49 | 0.56 | 0.39 | 0.46 | 0.52 | 0.59 |
| | | PI | 1.78 | 1.78 | 1.78 | 1.79 | 1.89 | 1.89 | 1.89 | 1.89 | 2.00 | 2.00 | 2.00 | 2.01 | 2.12 | 2.12 | 2.13 | 2.13 |
| | 14 | TC | 25419 | 25453 | 25481 | 25516 | 26946 | 26978 | 27010 | 27042 | 28557 | 28594 | 28631 | 28663 | 30278 | 30311 | 30349 | 30387 |
| | | S/T | 0.33 | 0.38 | 0.44 | 0.50 | 0.35 | 0.41 | 0.46 | 0.53 | 0.37 | 0.43 | 0.49 | 0.56 | 0.39 | 0.46 | 0.52 | 0.59 |
| | | PI | 1.82 | 1.82 | 1.82 | 1.82 | 1.93 | 1.93 | 1.93 | 1.93 | 2.04 | 2.05 | 2.05 | 2.05 | 2.17 | 2.17 | 2.17 | 2.17 |
| | 17 | TC | 25332 | 25366 | 25394 | 25429 | 26854 | 26886 | 26918 | 26950 | 28459 | 28496 | 28533 | 28565 | 30175 | 30208 | 30245 | 30283 |
| | | S/T | 0.33 | 0.38 | 0.44 | 0.50 | 0.35 | 0.41 | 0.46 | 0.53 | 0.37 | 0.43 | 0.49 | 0.56 | 0.39 | 0.46 | 0.52 | 0.59 |
| | | PI | 1.83 | 1.83 | 1.84 | 1.84 | 1.94 | 1.94 | 1.95 | 1.95 | 2.06 | 2.06 | 2.06 | 2.06 | 2.18 | 2.18 | 2.19 | 2.19 |
| | 23 | TC | 25216 | 25250 | 25278 | 25313 | 26732 | 26763 | 26795 | 26827 | 28329 | 28366 | 28403 | 28435 | 30037 | 30070 | 30107 | 30145 |
| | | S/T | 0.33 | 0.39 | 0.44 | 0.50 | 0.35 | 0.41 | 0.46 | 0.53 | 0.37 | 0.43 | 0.49 | 0.56 | 0.39 | 0.46 | 0.52 | 0.60 |
| | | PI | 1.84 | 1.84 | 1.84 | 1.85 | 1.95 | 1.95 | 1.95 | 1.96 | 2.07 | 2.07 | 2.07 | 2.07 | 2.19 | 2.19 | 2.20 | 2.20 |
| | 32 | TC | 25043 | 25076 | 25105 | 25138 | 26548 | 26579 | 26611 | 26642 | 28134 | 28171 | 28207 | 28239 | 29830 | 29863 | 29900 | 29937 |
| | | S/T | 0.33 | 0.39 | 0.44 | 0.50 | 0.35 | 0.41 | 0.47 | 0.53 | 0.37 | 0.44 | 0.50 | 0.56 | 0.39 | 0.46 | 0.53 | 0.60 |
| | | PI | 1.85 | 1.85 | 1.86 | 1.86 | 1.96 | 1.97 | 1.97 | 1.97 | 2.08 | 2.08 | 2.09 | 2.09 | 2.21 | 2.21 | 2.21 | 2.21 |
| | 41 | TC | 24811 | 24845 | 24873 | 24906 | 26303 | 26334 | 26365 | 26396 | 27874 | 27911 | 27947 | 27978 | 29555 | 29587 | 29624 | 29661 |
| | | S/T | 0.33 | 0.39 | 0.44 | 0.51 | 0.35 | 0.41 | 0.47 | 0.54 | 0.37 | 0.44 | 0.50 | 0.57 | 0.40 | 0.46 | 0.53 | 0.60 |
| | | PI | 1.87 | 1.87 | 1.87 | 1.88 | 1.98 | 1.98 | 1.99 | 1.99 | 2.10 | 2.10 | 2.10 | 2.11 | 2.23 | 2.23 | 2.23 | 2.23 |
| | 47 | TC | 24638 | 24671 | 24699 | 24732 | 26119 | 26150 | 26181 | 26212 | 27679 | 27715 | 27751 | 27782 | 29348 | 29380 | 29417 | 29453 |
| | | S/T | 0.33 | 0.39 | 0.44 | 0.51 | 0.35 | 0.41 | 0.47 | 0.54 | 0.37 | 0.44 | 0.50 | 0.57 | 0.40 | 0.47 | 0.53 | 0.60 |
| | | PI | 1.88 | 1.88 | 1.89 | 1.89 | 1.99 | 2.00 | 2.00 | 2.00 | 2.11 | 2.12 | 2.12 | 2.12 | 2.24 | 2.24 | 2.25 | 2.25 |
| | 50 | TC | 24617 | 24650 | 24678 | 24711 | 26096 | 26127 | 26158 | 26189 | 27656 | 27692 | 27728 | 27759 | 29323 | 29355 | 29392 | 29428 |
| | | S/T | 0.33 | 0.39 | 0.45 | 0.51 | 0.35 | 0.42 | 0.47 | 0.54 | 0.38 | 0.44 | 0.50 | 0.57 | 0.40 | 0.47 | 0.53 | 0.60 |
| | | PI | 1.89 | 1.89 | 1.89 | 1.89 | 2.00 | 2.00 | 2.00 | 2.01 | 2.12 | 2.12 | 2.12 | 2.13 | 2.25 | 2.25 | 2.25 | 2.25 |
| | 59 | TC | 24554 | 24587 | 24615 | 24648 | 26030 | 26061 | 26092 | 26123 | 27585 | 27621 | 27657 | 27688 | 29248 | 29280 | 29317 | 29353 |
| | | S/T | 0.34 | 0.39 | 0.45 | 0.51 | 0.36 | 0.42 | 0.47 | 0.54 | 0.38 | 0.44 | 0.50 | 0.57 | 0.40 | 0.47 | 0.53 | 0.61 |
| | | PI | 1.90 | 1.90 | 1.90 | 1.91 | 2.01 | 2.02 | 2.02 | 2.02 | 2.13 | 2.14 | 2.14 | 2.14 | 2.26 | 2.27 | 2.27 | 2.27 |
| | 68 | TC | 24491 | 24524 | 24552 | 24585 | 25963 | 25994 | 26025 | 26056 | 27515 | 27551 | 27586 | 27617 | 29173 | 29205 | 29242 | 29278 |
| | | S/T | 0.34 | 0.40 | 0.45 | 0.51 | 0.36 | 0.42 | 0.48 | 0.54 | 0.38 | 0.44 | 0.51 | 0.58 | 0.40 | 0.47 | 0.54 | 0.61 |
| | | PI | 1.91 | 1.92 | 1.92 | 1.92 | 2.03 | 2.03 | 2.03 | 2.04 | 2.15 | 2.15 | 2.16 | 2.16 | 2.28 | 2.28 | 2.29 | 2.29 |
| | 77 | TC | 24428 | 24461 | 24489 | 24522 | 25897 | 25927 | 25958 | 25989 | 27444 | 27480 | 27516 | 27546 | 29099 | 29130 | 29167 | 29203 |
| | | S/T | 0.35 | 0.41 | 0.46 | 0.53 | 0.37 | 0.43 | 0.49 | 0.56 | 0.39 | 0.46 | 0.52 | 0.59 | 0.41 | 0.48 | 0.55 | 0.63 |
| | | PI | 1.93 | 1.93 | 1.93 | 1.94 | 2.04 | 2.05 | 2.05 | 2.05 | 2.17 | 2.17 | 2.17 | 2.17 | 2.30 | 2.30 | 2.30 | 2.30 |
| | 86 | TC | 21146 | 21174 | 21198 | 21227 | 22417 | 22443 | 22470 | 22497 | 23756 | 23787 | 23818 | 23845 | 25189 | 25216 | 25247 | 25279 |
| | | S/T | 0.35 | 0.41 | 0.47 | 0.53 | 0.37 | 0.44 | 0.50 | 0.57 | 0.39 | 0.46 | 0.53 | 0.60 | 0.42 | 0.49 | 0.56 | 0.64 |
| | | PI | 2.09 | 2.09 | 2.09 | 2.10 | 2.21 | 2.22 | 2.22 | 2.22 | 2.35 | 2.35 | 2.35 | 2.35 | 2.49 | 2.49 | 2.49 | 2.50 |
| | 95 | TC | 20340 | 20367 | 20390 | 20418 | 21563 | 21588 | 21614 | 21639 | 22851 | 22881 | 22911 | 22936 | 24229 | 24255 | 24285 | 24315 |
| | | S/T | 0.36 | 0.42 | 0.48 | 0.55 | 0.38 | 0.45 | 0.51 | 0.58 | 0.40 | 0.47 | 0.54 | 0.61 | 0.43 | 0.50 | 0.57 | 0.65 |
| | | PI | 2.14 | 2.14 | 2.14 | 2.14 | 2.26 | 2.27 | 2.27 | 2.27 | 2.40 | 2.40 | 2.41 | 2.41 | 2.54 | 2.55 | 2.55 | 2.55 |
| 104 | TC | 17604 | 17628 | 17648 | 17671 | 18662 | 18684 | 18706 | 18729 | 19777 | 19803 | 19829 | 19851 | 20970 | 20992 | 21019 | 21045 | |
| | S/T | 0.38 | 0.44 | 0.50 | 0.57 | 0.40 | 0.47 | 0.53 | 0.61 | 0.42 | 0.50 | 0.57 | 0.65 | 0.45 | 0.53 | 0.60 | 0.68 | |
| | PI | 4.60 | 4.60 | 4.61 | 4.61 | 4.87 | 4.88 | 4.88 | 4.89 | 5.16 | 5.17 | 5.18 | 5.18 | 5.48 | 5.48 | 5.49 | 5.49 | |
| 114.8 | TC | 14321 | 14340 | 14356 | 14376 | 15182 | 15200 | 15218 | 15236 | 16089 | 16110 | 16131 | 16149 | 17059 | 17077 | 17099 | 17120 | |
| | S/T | 0.38 | 0.45 | 0.51 | 0.58 | 0.41 | 0.48 | 0.54 | 0.62 | 0.43 | 0.50 | 0.57 | 0.65 | 0.46 | 0.53 | 0.61 | 0.69 | |
| | PI | 7.55 | 7.56 | 7.57 | 7.58 | 8.00 | 8.01 | 8.02 | 8.03 | 8.48 | 8.49 | 8.50 | 8.51 | 8.99 | 9.00 | 9.01 | 9.02 | |
| 122 | TC | 12132 | 12149 | 12162 | 12179 | 12861 | 12877 | 12892 | 12907 | 13630 | 13648 | 13665 | 13681 | 14452 | 14467 | 14485 | 14503 | |
| | S/T | 0.40 | 0.46 | 0.53 | 0.60 | 0.42 | 0.49 | 0.56 | 0.64 | 0.44 | 0.52 | 0.59 | 0.68 | 0.47 | 0.55 | 0.63 | 0.72 | |
| | PI | 9.52 | 9.53 | 9.54 | 9.55 | 10.09 | 10.10 | 10.11 | 10.13 | 10.69 | 10.71 | 10.72 | 10.73 | 11.34 | 11.35 | 11.36 | 11.38 | |

NON-DUCTED COOLING PERFORMANCE 30HH (Sheet 3 of 4)

| AIRFLOW (CFM) | OUTDOOR DB (°F) | ID WB (°F) ID DB (°F) | 60.8 | | | | 64.4 | | | | 66.2 | | | | 71.6 | | | |
|---------------|-----------------|--------------------------|-------|-------|-------|-------|-------|-------|-------|-------|-------|-------|-------|-------|-------|-------|-------|-------|
| | | | 73.4 | 77.0 | 80.6 | 84.2 | 73.4 | 77.0 | 80.6 | 84.2 | 73.4 | 77.0 | 80.0 | 84.20 | 73.4 | 77.0 | 80.6 | 84.2 |
| | | | TC | S/T | PI | TC | S/T | PI | TC | S/T | PI | TC | S/T | PI | TC | S/T | PI | TC |
| 1280 | -22 | TC | 39266 | 39319 | 39363 | 39416 | 41626 | 41675 | 41725 | 41774 | 44113 | 44171 | 44228 | 44277 | 46773 | 46823 | 46882 | 46940 |
| | | S/T | 0.48 | 0.56 | 0.63 | 0.72 | 0.50 | 0.59 | 0.67 | 0.77 | 0.53 | 0.63 | 0.71 | 0.81 | 0.57 | 0.67 | 0.76 | 0.86 |
| | | PI | 2.47 | 2.47 | 2.48 | 2.48 | 2.62 | 2.62 | 2.63 | 2.63 | 2.78 | 2.78 | 2.78 | 2.79 | 2.94 | 2.95 | 2.95 | 2.95 |
| | -10 | TC | 38751 | 38803 | 38847 | 38899 | 41080 | 41129 | 41177 | 41226 | 43535 | 43591 | 43648 | 43697 | 46159 | 46209 | 46267 | 46325 |
| | | S/T | 0.48 | 0.56 | 0.64 | 0.73 | 0.51 | 0.60 | 0.68 | 0.77 | 0.54 | 0.63 | 0.72 | 0.82 | 0.57 | 0.67 | 0.76 | 0.87 |
| | | PI | 2.55 | 2.55 | 2.55 | 2.56 | 2.70 | 2.70 | 2.71 | 2.71 | 2.86 | 2.87 | 2.87 | 2.87 | 3.03 | 3.04 | 3.04 | 3.04 |
| | 0 | TC | 38322 | 38373 | 38416 | 38468 | 40625 | 40673 | 40721 | 40770 | 43053 | 43109 | 43165 | 43213 | 45648 | 45698 | 45755 | 45812 |
| | | S/T | 0.48 | 0.57 | 0.64 | 0.73 | 0.51 | 0.60 | 0.68 | 0.78 | 0.54 | 0.64 | 0.72 | 0.82 | 0.57 | 0.67 | 0.77 | 0.87 |
| | | PI | 2.61 | 2.61 | 2.62 | 2.62 | 2.77 | 2.77 | 2.77 | 2.78 | 2.93 | 2.94 | 2.94 | 2.94 | 3.11 | 3.11 | 3.12 | 3.12 |
| | 5 | TC | 38107 | 38158 | 38201 | 38253 | 40398 | 40445 | 40493 | 40541 | 42812 | 42867 | 42923 | 42971 | 45392 | 45442 | 45498 | 45555 |
| | | S/T | 0.48 | 0.57 | 0.64 | 0.73 | 0.51 | 0.60 | 0.68 | 0.78 | 0.54 | 0.64 | 0.72 | 0.83 | 0.58 | 0.68 | 0.77 | 0.88 |
| | | PI | 2.64 | 2.64 | 2.65 | 2.65 | 2.80 | 2.80 | 2.81 | 2.81 | 2.97 | 2.97 | 2.98 | 2.98 | 3.15 | 3.15 | 3.15 | 3.16 |
| | 14 | TC | 37721 | 37772 | 37814 | 37865 | 39988 | 40035 | 40083 | 40131 | 42378 | 42433 | 42488 | 42535 | 44932 | 44981 | 45037 | 45093 |
| | | S/T | 0.49 | 0.57 | 0.65 | 0.74 | 0.51 | 0.60 | 0.69 | 0.78 | 0.55 | 0.64 | 0.73 | 0.83 | 0.58 | 0.68 | 0.77 | 0.88 |
| | | PI | 2.70 | 2.70 | 2.70 | 2.71 | 2.86 | 2.86 | 2.87 | 2.87 | 3.03 | 3.03 | 3.04 | 3.04 | 3.21 | 3.22 | 3.22 | 3.23 |
| | 17 | TC | 37592 | 37643 | 37685 | 37736 | 39852 | 39899 | 39946 | 39994 | 42233 | 42288 | 42343 | 42390 | 44779 | 44828 | 44883 | 44939 |
| | | S/T | 0.49 | 0.57 | 0.65 | 0.74 | 0.52 | 0.61 | 0.69 | 0.78 | 0.55 | 0.64 | 0.73 | 0.83 | 0.58 | 0.68 | 0.77 | 0.88 |
| | | PI | 2.72 | 2.72 | 2.72 | 2.73 | 2.88 | 2.88 | 2.89 | 2.89 | 3.05 | 3.06 | 3.06 | 3.06 | 3.24 | 3.24 | 3.24 | 3.25 |
| | 23 | TC | 37421 | 37471 | 37513 | 37564 | 39670 | 39717 | 39764 | 39811 | 42040 | 42095 | 42150 | 42197 | 44575 | 44623 | 44679 | 44734 |
| | | S/T | 0.49 | 0.57 | 0.65 | 0.74 | 0.52 | 0.61 | 0.69 | 0.79 | 0.55 | 0.64 | 0.73 | 0.83 | 0.58 | 0.68 | 0.78 | 0.88 |
| | | PI | 2.73 | 2.73 | 2.74 | 2.74 | 2.89 | 2.90 | 2.90 | 2.90 | 3.07 | 3.07 | 3.07 | 3.07 | 3.25 | 3.25 | 3.26 | 3.26 |
| | 32 | TC | 37163 | 37213 | 37255 | 37305 | 39397 | 39443 | 39490 | 39537 | 41751 | 41805 | 41860 | 41906 | 44268 | 44316 | 44371 | 44426 |
| | | S/T | 0.49 | 0.58 | 0.65 | 0.75 | 0.52 | 0.61 | 0.69 | 0.79 | 0.55 | 0.65 | 0.74 | 0.84 | 0.58 | 0.69 | 0.78 | 0.89 |
| | | PI | 2.75 | 2.75 | 2.75 | 2.76 | 2.91 | 2.92 | 2.92 | 2.92 | 3.09 | 3.09 | 3.10 | 3.10 | 3.27 | 3.28 | 3.28 | 3.29 |
| | 41 | TC | 36820 | 36869 | 36911 | 36960 | 39033 | 39079 | 39125 | 39172 | 41365 | 41419 | 41473 | 41519 | 43859 | 43907 | 43961 | 44016 |
| | | S/T | 0.49 | 0.58 | 0.66 | 0.75 | 0.52 | 0.61 | 0.70 | 0.79 | 0.55 | 0.65 | 0.74 | 0.84 | 0.59 | 0.69 | 0.78 | 0.89 |
| | | PI | 2.77 | 2.78 | 2.78 | 2.78 | 2.94 | 2.94 | 2.95 | 2.95 | 3.12 | 3.12 | 3.12 | 3.13 | 3.30 | 3.31 | 3.31 | 3.32 |
| | 47 | TC | 36562 | 36611 | 36653 | 36702 | 38760 | 38806 | 38852 | 38898 | 41076 | 41129 | 41183 | 41229 | 43552 | 43600 | 43654 | 43708 |
| | | S/T | 0.49 | 0.58 | 0.66 | 0.75 | 0.52 | 0.61 | 0.70 | 0.80 | 0.56 | 0.65 | 0.74 | 0.84 | 0.59 | 0.69 | 0.78 | 0.89 |
| | | PI | 2.79 | 2.80 | 2.80 | 2.80 | 2.96 | 2.96 | 2.97 | 2.97 | 3.14 | 3.14 | 3.15 | 3.15 | 3.33 | 3.33 | 3.33 | 3.34 |
| | 50 | TC | 36531 | 36580 | 36621 | 36671 | 38727 | 38773 | 38819 | 38865 | 41041 | 41094 | 41148 | 41194 | 43515 | 43563 | 43617 | 43671 |
| | | S/T | 0.50 | 0.58 | 0.66 | 0.75 | 0.53 | 0.62 | 0.70 | 0.80 | 0.56 | 0.65 | 0.74 | 0.85 | 0.59 | 0.69 | 0.79 | 0.90 |
| | | PI | 2.80 | 2.80 | 2.81 | 2.81 | 2.97 | 2.97 | 2.97 | 2.98 | 3.14 | 3.15 | 3.15 | 3.16 | 3.33 | 3.34 | 3.34 | 3.35 |
| | 59 | TC | 36438 | 36487 | 36528 | 36577 | 38628 | 38674 | 38720 | 38766 | 40936 | 40990 | 41043 | 41089 | 43404 | 43451 | 43505 | 43560 |
| | | S/T | 0.50 | 0.58 | 0.66 | 0.76 | 0.53 | 0.62 | 0.70 | 0.80 | 0.56 | 0.66 | 0.75 | 0.85 | 0.59 | 0.70 | 0.79 | 0.90 |
| | | PI | 2.82 | 2.82 | 2.83 | 2.83 | 2.99 | 2.99 | 3.00 | 3.00 | 3.17 | 3.17 | 3.18 | 3.18 | 3.36 | 3.36 | 3.37 | 3.37 |
| | 68 | TC | 36345 | 36394 | 36435 | 36484 | 38529 | 38575 | 38621 | 38666 | 40832 | 40885 | 40938 | 40984 | 43293 | 43340 | 43394 | 43448 |
| | | S/T | 0.50 | 0.59 | 0.67 | 0.76 | 0.53 | 0.62 | 0.71 | 0.81 | 0.56 | 0.66 | 0.75 | 0.86 | 0.60 | 0.70 | 0.80 | 0.91 |
| | | PI | 2.84 | 2.84 | 2.85 | 2.85 | 3.01 | 3.01 | 3.02 | 3.02 | 3.19 | 3.19 | 3.20 | 3.20 | 3.38 | 3.39 | 3.39 | 3.40 |
| | 77 | TC | 36252 | 36300 | 36341 | 36390 | 38430 | 38476 | 38522 | 38567 | 40727 | 40780 | 40833 | 40878 | 43182 | 43229 | 43283 | 43337 |
| | | S/T | 0.51 | 0.60 | 0.69 | 0.78 | 0.54 | 0.64 | 0.73 | 0.83 | 0.58 | 0.68 | 0.77 | 0.88 | 0.61 | 0.72 | 0.82 | 0.93 |
| | | PI | 2.86 | 2.86 | 2.87 | 2.87 | 3.03 | 3.04 | 3.04 | 3.04 | 3.21 | 3.22 | 3.22 | 3.23 | 3.41 | 3.41 | 3.42 | 3.42 |
| | 86 | TC | 31380 | 31423 | 31458 | 31500 | 33266 | 33306 | 33345 | 33385 | 35254 | 35300 | 35346 | 35385 | 37380 | 37420 | 37467 | 37513 |
| | | S/T | 0.52 | 0.61 | 0.69 | 0.79 | 0.55 | 0.65 | 0.74 | 0.84 | 0.59 | 0.69 | 0.78 | 0.89 | 0.62 | 0.73 | 0.83 | 0.94 |
| | | PI | 3.10 | 3.10 | 3.11 | 3.11 | 3.28 | 3.29 | 3.29 | 3.30 | 3.48 | 3.49 | 3.49 | 3.49 | 3.69 | 3.70 | 3.70 | 3.70 |
| | 95 | TC | 30185 | 30225 | 30259 | 30300 | 31999 | 32037 | 32075 | 32113 | 33911 | 33955 | 33999 | 34037 | 35955 | 35994 | 36039 | 36084 |
| | | S/T | 0.53 | 0.63 | 0.71 | 0.81 | 0.57 | 0.66 | 0.75 | 0.86 | 0.60 | 0.70 | 0.80 | 0.91 | 0.64 | 0.75 | 0.85 | 0.97 |
| | | PI | 3.17 | 3.17 | 3.18 | 3.18 | 3.36 | 3.36 | 3.37 | 3.37 | 3.56 | 3.57 | 3.57 | 3.57 | 3.78 | 3.78 | 3.78 | 3.79 |
| | 104 | TC | 26124 | 26159 | 26189 | 26224 | 27695 | 27727 | 27760 | 27793 | 29349 | 29388 | 29426 | 29459 | 31119 | 31153 | 31191 | 31230 |
| | | S/T | 0.56 | 0.66 | 0.75 | 0.85 | 0.59 | 0.70 | 0.79 | 0.90 | 0.63 | 0.74 | 0.84 | 0.96 | 0.67 | 0.78 | 0.89 | 1.02 |
| | | PI | 6.82 | 6.83 | 6.84 | 6.85 | 7.23 | 7.24 | 7.25 | 7.26 | 7.66 | 7.67 | 7.68 | 7.69 | 8.12 | 8.13 | 8.14 | 8.15 |
| | 114.8 | TC | 21252 | 21281 | 21305 | 21333 | 22529 | 22556 | 22583 | 22610 | 23876 | 23907 | 23938 | 23965 | 25315 | 25343 | 25374 | 25406 |
| | | S/T | 0.57 | 0.67 | 0.76 | 0.86 | 0.60 | 0.71 | 0.80 | 0.91 | 0.64 | 0.75 | 0.85 | 0.97 | 0.68 | 0.79 | 0.90 | 1.03 |
| | | PI | 11.20 | 11.22 | 11.23 | 11.25 | 11.88 | 11.89 | 11.90 | 11.92 | 12.59 | 12.60 | 12.62 | 12.63 | 13.34 | 13.36 | 13.38 | 13.39 |
| | 122 | TC | 18004 | 18028 | 18048 | 18073 | 19086 | 19109 | 19131 | 19154 | 20227 | 20253 | 20279 | 20302 | 21446 | 21469 | 21496 | 21523 |
| | | S/T | 0.59 | 0.69 | 0.78 | 0.89 | 0.62 | 0.73 | 0.83 | 0.95 | 0.66 | 0.77 | 0.88 | 1.00 | 0.70 | 0.82 | 0.93 | 1.06 |
| | | PI | 14.12 | 14.14 | 14.16 | 14.18 | 14.97 | 14.99 | 15.01 | 15.03 | 15.87 | 15.89 | 15.91 | 15.93 | 16.82 | 16.84 | 16.86 | 16.88 |

NON-DUCTED COOLING PERFORMANCE 30HH (Sheet 4 of 4)

| AIRFLOW (CFM) | OUTDOOR DB (°F) | ID WB (°F) | 60.8 | | | | 64.4 | | | | 66.2 | | | | 71.6 | | | |
|---------------|-----------------|------------|------------|-------|-------|-------|-------|-------|-------|-------|-------|-------|-------|-------|-------|-------|-------|-------|
| | | | ID DB (°F) | 73.4 | 77.0 | 80.6 | 84.2 | 73.4 | 77.0 | 80.6 | 84.2 | 73.4 | 77.0 | 80.6 | 84.2 | 73.4 | 77.0 | 80.6 |
| 1400 | -22 | TC | 42522 | 42579 | 42627 | 42684 | 45078 | 45131 | 45184 | 45238 | 47771 | 47833 | 47895 | 47949 | 50651 | 50706 | 50769 | 50832 |
| | | S/T | 0.52 | 0.60 | 0.69 | 0.78 | 0.55 | 0.64 | 0.73 | 0.83 | 0.58 | 0.68 | 0.77 | 0.88 | 0.61 | 0.72 | 0.82 | 0.93 |
| | | PI | 2.68 | 2.68 | 2.68 | 2.69 | 2.84 | 2.84 | 2.84 | 2.85 | 3.01 | 3.01 | 3.01 | 3.02 | 3.19 | 3.19 | 3.20 | 3.20 |
| | -10 | TC | 41964 | 42021 | 42068 | 42124 | 44486 | 44539 | 44592 | 44645 | 47145 | 47206 | 47267 | 47320 | 49987 | 50041 | 50103 | 50166 |
| | | S/T | 0.52 | 0.61 | 0.69 | 0.79 | 0.55 | 0.65 | 0.73 | 0.84 | 0.58 | 0.68 | 0.78 | 0.89 | 0.62 | 0.73 | 0.82 | 0.94 |
| | | PI | 2.76 | 2.76 | 2.76 | 2.77 | 2.92 | 2.93 | 2.93 | 2.93 | 3.10 | 3.10 | 3.11 | 3.11 | 3.29 | 3.29 | 3.29 | 3.30 |
| | 0 | TC | 41499 | 41555 | 41602 | 41658 | 43994 | 44046 | 44098 | 44150 | 46623 | 46683 | 46744 | 46796 | 49433 | 49487 | 49549 | 49610 |
| | | S/T | 0.52 | 0.61 | 0.70 | 0.79 | 0.55 | 0.65 | 0.74 | 0.84 | 0.59 | 0.69 | 0.78 | 0.89 | 0.62 | 0.73 | 0.83 | 0.94 |
| | | PI | 2.83 | 2.83 | 2.83 | 2.84 | 3.00 | 3.00 | 3.00 | 3.01 | 3.18 | 3.18 | 3.18 | 3.19 | 3.37 | 3.37 | 3.37 | 3.38 |
| | 5 | TC | 41267 | 41323 | 41369 | 41425 | 43747 | 43799 | 43851 | 43903 | 46362 | 46422 | 46482 | 46534 | 49156 | 49210 | 49271 | 49332 |
| | | S/T | 0.52 | 0.61 | 0.70 | 0.80 | 0.55 | 0.65 | 0.74 | 0.84 | 0.59 | 0.69 | 0.78 | 0.89 | 0.62 | 0.73 | 0.83 | 0.95 |
| | | PI | 2.86 | 2.86 | 2.87 | 2.87 | 3.03 | 3.04 | 3.04 | 3.04 | 3.21 | 3.22 | 3.22 | 3.23 | 3.41 | 3.41 | 3.41 | 3.42 |
| | 14 | TC | 40849 | 40904 | 40950 | 41005 | 43304 | 43355 | 43407 | 43458 | 45892 | 45951 | 46011 | 46062 | 48658 | 48711 | 48772 | 48832 |
| | | S/T | 0.53 | 0.62 | 0.70 | 0.80 | 0.56 | 0.65 | 0.74 | 0.85 | 0.59 | 0.69 | 0.79 | 0.90 | 0.63 | 0.74 | 0.84 | 0.95 |
| | | PI | 2.92 | 2.93 | 2.93 | 2.93 | 3.10 | 3.10 | 3.10 | 3.11 | 3.28 | 3.29 | 3.29 | 3.29 | 3.48 | 3.48 | 3.49 | 3.49 |
| | 17 | TC | 40709 | 40764 | 40810 | 40865 | 43156 | 43207 | 43259 | 43310 | 45735 | 45794 | 45854 | 45905 | 48492 | 48545 | 48605 | 48666 |
| | | S/T | 0.53 | 0.62 | 0.70 | 0.80 | 0.56 | 0.66 | 0.75 | 0.85 | 0.59 | 0.69 | 0.79 | 0.90 | 0.63 | 0.74 | 0.84 | 0.95 |
| | | PI | 2.94 | 2.95 | 2.95 | 2.95 | 3.12 | 3.12 | 3.13 | 3.13 | 3.31 | 3.31 | 3.31 | 3.32 | 3.50 | 3.51 | 3.51 | 3.52 |
| | 23 | TC | 40524 | 40578 | 40624 | 40678 | 42959 | 43010 | 43061 | 43112 | 45526 | 45585 | 45645 | 45696 | 48271 | 48323 | 48383 | 48444 |
| | | S/T | 0.53 | 0.62 | 0.70 | 0.80 | 0.56 | 0.66 | 0.75 | 0.85 | 0.59 | 0.70 | 0.79 | 0.90 | 0.63 | 0.74 | 0.84 | 0.96 |
| | | PI | 2.96 | 2.96 | 2.96 | 2.97 | 3.13 | 3.14 | 3.14 | 3.14 | 3.32 | 3.32 | 3.33 | 3.33 | 3.52 | 3.52 | 3.53 | 3.53 |
| | 32 | TC | 40245 | 40299 | 40344 | 40398 | 42664 | 42714 | 42765 | 42815 | 45213 | 45272 | 45331 | 45381 | 47939 | 47991 | 48050 | 48110 |
| | | S/T | 0.53 | 0.62 | 0.71 | 0.81 | 0.56 | 0.66 | 0.75 | 0.86 | 0.60 | 0.70 | 0.80 | 0.91 | 0.63 | 0.74 | 0.84 | 0.96 |
| | | PI | 2.98 | 2.98 | 2.98 | 2.99 | 3.15 | 3.16 | 3.16 | 3.17 | 3.34 | 3.35 | 3.35 | 3.36 | 3.54 | 3.55 | 3.55 | 3.56 |
| | 41 | TC | 39873 | 39927 | 39971 | 40025 | 42269 | 42319 | 42370 | 42420 | 44795 | 44853 | 44912 | 44962 | 47496 | 47547 | 47607 | 47666 |
| | | S/T | 0.53 | 0.63 | 0.71 | 0.81 | 0.57 | 0.66 | 0.75 | 0.86 | 0.60 | 0.70 | 0.80 | 0.91 | 0.64 | 0.75 | 0.85 | 0.97 |
| | | PI | 3.00 | 3.01 | 3.01 | 3.01 | 3.18 | 3.19 | 3.19 | 3.20 | 3.37 | 3.38 | 3.38 | 3.39 | 3.58 | 3.58 | 3.59 | 3.59 |
| | 47 | TC | 39594 | 39647 | 39692 | 39745 | 41974 | 42024 | 42073 | 42123 | 44482 | 44540 | 44598 | 44648 | 47164 | 47215 | 47274 | 47332 |
| | | S/T | 0.54 | 0.63 | 0.71 | 0.81 | 0.57 | 0.67 | 0.76 | 0.86 | 0.60 | 0.71 | 0.80 | 0.91 | 0.64 | 0.75 | 0.85 | 0.97 |
| | | PI | 3.02 | 3.03 | 3.03 | 3.04 | 3.21 | 3.21 | 3.21 | 3.22 | 3.40 | 3.40 | 3.41 | 3.41 | 3.60 | 3.61 | 3.61 | 3.61 |
| | 50 | TC | 39560 | 39614 | 39658 | 39712 | 41938 | 41988 | 42038 | 42087 | 44444 | 44502 | 44560 | 44610 | 47124 | 47175 | 47233 | 47292 |
| | | S/T | 0.54 | 0.63 | 0.72 | 0.82 | 0.57 | 0.67 | 0.76 | 0.86 | 0.60 | 0.71 | 0.80 | 0.92 | 0.64 | 0.75 | 0.85 | 0.97 |
| | | PI | 3.03 | 3.04 | 3.04 | 3.04 | 3.21 | 3.22 | 3.22 | 3.22 | 3.41 | 3.41 | 3.41 | 3.42 | 3.61 | 3.61 | 3.62 | 3.62 |
| | 59 | TC | 39459 | 39513 | 39557 | 39610 | 41831 | 41881 | 41930 | 41980 | 44331 | 44388 | 44446 | 44496 | 47003 | 47054 | 47113 | 47172 |
| | | S/T | 0.54 | 0.63 | 0.72 | 0.82 | 0.57 | 0.67 | 0.76 | 0.87 | 0.61 | 0.71 | 0.81 | 0.92 | 0.64 | 0.75 | 0.86 | 0.98 |
| | | PI | 3.05 | 3.06 | 3.06 | 3.07 | 3.24 | 3.24 | 3.24 | 3.25 | 3.43 | 3.43 | 3.44 | 3.44 | 3.64 | 3.64 | 3.65 | 3.65 |
| | 68 | TC | 39359 | 39411 | 39456 | 39509 | 41724 | 41774 | 41823 | 41873 | 44217 | 44275 | 44332 | 44382 | 46883 | 46934 | 46992 | 47051 |
| | | S/T | 0.54 | 0.64 | 0.72 | 0.82 | 0.57 | 0.67 | 0.77 | 0.87 | 0.61 | 0.71 | 0.81 | 0.93 | 0.65 | 0.76 | 0.86 | 0.98 |
| | | PI | 3.08 | 3.08 | 3.08 | 3.09 | 3.26 | 3.26 | 3.27 | 3.27 | 3.46 | 3.46 | 3.46 | 3.47 | 3.66 | 3.67 | 3.67 | 3.68 |
| | 77 | TC | 39258 | 39310 | 39354 | 39408 | 41617 | 41666 | 41716 | 41765 | 44104 | 44161 | 44219 | 44268 | 46763 | 46814 | 46872 | 46930 |
| | | S/T | 0.56 | 0.65 | 0.74 | 0.85 | 0.59 | 0.69 | 0.79 | 0.90 | 0.63 | 0.73 | 0.83 | 0.95 | 0.66 | 0.78 | 0.88 | 1.01 |
| | | PI | 3.10 | 3.10 | 3.11 | 3.11 | 3.28 | 3.29 | 3.29 | 3.30 | 3.48 | 3.48 | 3.49 | 3.49 | 3.69 | 3.69 | 3.70 | 3.70 |
| | 86 | TC | 33982 | 34028 | 34066 | 34112 | 36025 | 36068 | 36110 | 36153 | 38178 | 38227 | 38277 | 38320 | 40479 | 40523 | 40574 | 40624 |
| | | S/T | 0.56 | 0.66 | 0.75 | 0.86 | 0.60 | 0.70 | 0.80 | 0.91 | 0.63 | 0.74 | 0.84 | 0.96 | 0.67 | 0.79 | 0.90 | 1.02 |
| | | PI | 3.36 | 3.36 | 3.36 | 3.37 | 3.56 | 3.56 | 3.57 | 3.57 | 3.77 | 3.77 | 3.77 | 3.78 | 4.00 | 4.00 | 4.01 | 4.01 |
| | 95 | TC | 32687 | 32731 | 32768 | 32812 | 34652 | 34693 | 34734 | 34775 | 36723 | 36770 | 36818 | 36859 | 38937 | 38979 | 39027 | 39076 |
| | | S/T | 0.58 | 0.68 | 0.77 | 0.88 | 0.61 | 0.72 | 0.82 | 0.93 | 0.65 | 0.76 | 0.87 | 0.99 | 0.69 | 0.81 | 0.92 | 1.05 |
| | | PI | 3.43 | 3.44 | 3.44 | 3.45 | 3.64 | 3.64 | 3.65 | 3.65 | 3.86 | 3.86 | 3.87 | 3.87 | 4.09 | 4.09 | 4.10 | 4.10 |
| | 104 | TC | 28291 | 28329 | 28360 | 28399 | 29991 | 30026 | 30062 | 30098 | 31783 | 31824 | 31866 | 31901 | 33699 | 33736 | 33778 | 33820 |
| | | S/T | 0.61 | 0.71 | 0.81 | 0.92 | 0.64 | 0.76 | 0.86 | 0.98 | 0.68 | 0.80 | 0.91 | 1.04 | 0.72 | 0.85 | 0.96 | 1.10 |
| | | PI | 7.39 | 7.40 | 7.40 | 7.41 | 7.83 | 7.84 | 7.85 | 7.86 | 8.30 | 8.31 | 8.32 | 8.33 | 8.80 | 8.81 | 8.82 | 8.83 |
| | 114.8 | TC | 23014 | 23045 | 23071 | 23102 | 24398 | 24427 | 24456 | 24485 | 25856 | 25889 | 25923 | 25952 | 27414 | 27444 | 27478 | 27512 |
| | | S/T | 0.61 | 0.72 | 0.82 | 0.93 | 0.65 | 0.76 | 0.87 | 0.99 | 0.69 | 0.81 | 0.92 | 1.05 | 0.73 | 0.86 | 0.98 | 1.11 |
| | | PI | 12.13 | 12.15 | 12.16 | 12.18 | 12.86 | 12.88 | 12.89 | 12.91 | 13.63 | 13.65 | 13.66 | 13.68 | 14.45 | 14.47 | 14.48 | 14.50 |
| | 122 | TC | 19497 | 19523 | 19545 | 19571 | 20669 | 20693 | 20718 | 20742 | 21904 | 21932 | 21961 | 21985 | 23224 | 23250 | 23279 | 23308 |
| | | S/T | 0.64 | 0.75 | 0.85 | 0.97 | 0.67 | 0.79 | 0.90 | 1.02 | 0.71 | 0.84 | 0.95 | 1.09 | 0.76 | 0.89 | 1.01 | 1.15 |
| | | PI | 15.30 | 15.32 | 15.33 | 15.35 | 16.21 | 16.23 | 16.25 | 16.27 | 17.18 | 17.21 | 17.23 | 17.25 | 18.22 | 18.24 | 18.26 | 18.28 |

NOTE: Data highlighted in gray is extrapolated data and not actual test data. At 77°F outdoor conditions sweat protection activates causing a decrease in total capacity.

LEGEND

- TC - Total Net Capacity (Btu/hour)
- S/T: Sensible Cooling Capacity Ratio
- PI: Power Input (kW)
- Extrapolated Data

COOLING PERFORMANCE NON-DUCTED

COOLING PERFORMANCE 36R (STANDARD)

NON-DUCTED COOLING PERFORMANCE 36R (Sheet 1 of 4)

| AIRFLOW (CFM) | OUTDOOR DB (°F) | ID WB (°F) ID DB (°F) | 60.8 | | | | 64.4 | | | | 66.2 | | | | 71.6 | | | |
|------------------|--------------------|--------------------------|-------|-------|-------|-------|-------|-------|-------|-------|-------|-------|-------|-------|-------|-------|-------|-------|
| | | | 73.4 | 77.0 | 80.6 | 84.2 | 73.4 | 77.0 | 80.6 | 84.2 | 73.4 | 77.0 | 80.0 | 84.20 | 73.4 | 77.0 | 80.6 | 84.2 |
| 656 | -22 | TC | 24151 | 24183 | 24210 | 24243 | 25602 | 25633 | 25663 | 25694 | 27132 | 27168 | 27203 | 27233 | 28768 | 28799 | 28835 | 28871 |
| | | S/T | 0.22 | 0.25 | 0.29 | 0.33 | 0.23 | 0.27 | 0.31 | 0.35 | 0.24 | 0.28 | 0.32 | 0.37 | 0.26 | 0.30 | 0.34 | 0.39 |
| | | PI | 1.33 | 1.33 | 1.33 | 1.33 | 1.41 | 1.41 | 1.41 | 1.41 | 1.49 | 1.49 | 1.49 | 1.50 | 1.58 | 1.58 | 1.58 | 1.59 |
| | -10 | TC | 23834 | 23866 | 23893 | 23925 | 25267 | 25297 | 25327 | 25357 | 26777 | 26811 | 26846 | 26876 | 28391 | 28422 | 28457 | 28492 |
| | | S/T | 0.22 | 0.26 | 0.29 | 0.33 | 0.23 | 0.27 | 0.31 | 0.35 | 0.24 | 0.29 | 0.33 | 0.37 | 0.26 | 0.30 | 0.35 | 0.39 |
| | | PI | 1.37 | 1.37 | 1.37 | 1.37 | 1.45 | 1.45 | 1.45 | 1.45 | 1.54 | 1.54 | 1.54 | 1.54 | 1.63 | 1.63 | 1.63 | 1.63 |
| | 0 | TC | 23570 | 23602 | 23628 | 23660 | 24987 | 25016 | 25046 | 25076 | 26480 | 26514 | 26549 | 26578 | 28076 | 28107 | 28142 | 28177 |
| | | S/T | 0.22 | 0.26 | 0.29 | 0.33 | 0.23 | 0.27 | 0.31 | 0.35 | 0.25 | 0.29 | 0.33 | 0.37 | 0.26 | 0.31 | 0.35 | 0.40 |
| | | PI | 1.40 | 1.40 | 1.40 | 1.41 | 1.49 | 1.49 | 1.49 | 1.49 | 1.57 | 1.58 | 1.58 | 1.58 | 1.67 | 1.67 | 1.67 | 1.67 |
| | 5 | TC | 23438 | 23470 | 23496 | 23528 | 24847 | 24876 | 24906 | 24935 | 26332 | 26366 | 26400 | 26430 | 27919 | 27949 | 27984 | 28019 |
| | | S/T | 0.22 | 0.26 | 0.29 | 0.33 | 0.23 | 0.27 | 0.31 | 0.35 | 0.25 | 0.29 | 0.33 | 0.37 | 0.26 | 0.31 | 0.35 | 0.40 |
| | | PI | 1.42 | 1.42 | 1.42 | 1.42 | 1.50 | 1.50 | 1.51 | 1.51 | 1.59 | 1.60 | 1.60 | 1.60 | 1.69 | 1.69 | 1.69 | 1.70 |
| | 14 | TC | 23201 | 23232 | 23258 | 23289 | 24595 | 24624 | 24653 | 24683 | 26065 | 26099 | 26133 | 26162 | 27636 | 27666 | 27701 | 27735 |
| | | S/T | 0.22 | 0.26 | 0.29 | 0.34 | 0.23 | 0.27 | 0.31 | 0.36 | 0.25 | 0.29 | 0.33 | 0.38 | 0.26 | 0.31 | 0.35 | 0.40 |
| | | PI | 1.45 | 1.45 | 1.45 | 1.45 | 1.54 | 1.54 | 1.54 | 1.54 | 1.63 | 1.63 | 1.63 | 1.63 | 1.73 | 1.73 | 1.73 | 1.73 |
| | 17 | TC | 23121 | 23153 | 23179 | 23210 | 24511 | 24540 | 24569 | 24598 | 25976 | 26010 | 26043 | 26073 | 27542 | 27572 | 27606 | 27640 |
| | | S/T | 0.22 | 0.26 | 0.29 | 0.34 | 0.23 | 0.27 | 0.31 | 0.36 | 0.25 | 0.29 | 0.33 | 0.38 | 0.26 | 0.31 | 0.35 | 0.40 |
| | | PI | 1.46 | 1.46 | 1.46 | 1.46 | 1.55 | 1.55 | 1.55 | 1.55 | 1.64 | 1.64 | 1.64 | 1.64 | 1.74 | 1.74 | 1.74 | 1.74 |
| | 23 | TC | 23016 | 23047 | 23073 | 23104 | 24399 | 24428 | 24457 | 24486 | 25857 | 25891 | 25925 | 25953 | 27416 | 27446 | 27480 | 27514 |
| | | S/T | 0.22 | 0.26 | 0.30 | 0.34 | 0.24 | 0.28 | 0.31 | 0.36 | 0.25 | 0.29 | 0.33 | 0.38 | 0.26 | 0.31 | 0.35 | 0.40 |
| | | PI | 1.47 | 1.47 | 1.47 | 1.47 | 1.55 | 1.56 | 1.56 | 1.56 | 1.65 | 1.65 | 1.65 | 1.65 | 1.75 | 1.75 | 1.75 | 1.75 |
| | 32 | TC | 22858 | 22888 | 22914 | 22945 | 24231 | 24260 | 24289 | 24318 | 25679 | 25713 | 25746 | 25775 | 27227 | 27257 | 27291 | 27325 |
| | | S/T | 0.22 | 0.26 | 0.30 | 0.34 | 0.24 | 0.28 | 0.31 | 0.36 | 0.25 | 0.29 | 0.33 | 0.38 | 0.27 | 0.31 | 0.35 | 0.40 |
| | | PI | 1.48 | 1.48 | 1.48 | 1.48 | 1.56 | 1.57 | 1.57 | 1.57 | 1.66 | 1.66 | 1.66 | 1.66 | 1.76 | 1.76 | 1.76 | 1.76 |
| | 41 | TC | 22646 | 22677 | 22702 | 22733 | 24008 | 24036 | 24064 | 24093 | 25442 | 25475 | 25508 | 25537 | 26976 | 27005 | 27039 | 27072 |
| | | S/T | 0.22 | 0.26 | 0.30 | 0.34 | 0.24 | 0.28 | 0.32 | 0.36 | 0.25 | 0.30 | 0.34 | 0.38 | 0.27 | 0.31 | 0.36 | 0.41 |
| | | PI | 1.49 | 1.49 | 1.49 | 1.49 | 1.58 | 1.58 | 1.58 | 1.58 | 1.67 | 1.67 | 1.68 | 1.68 | 1.77 | 1.78 | 1.78 | 1.78 |
| | 47 | TC | 22488 | 22518 | 22544 | 22574 | 23840 | 23868 | 23896 | 23925 | 25264 | 25297 | 25330 | 25358 | 26787 | 26816 | 26850 | 26883 |
| | | S/T | 0.22 | 0.26 | 0.30 | 0.34 | 0.24 | 0.28 | 0.32 | 0.36 | 0.25 | 0.30 | 0.34 | 0.38 | 0.27 | 0.31 | 0.36 | 0.41 |
| | | PI | 1.50 | 1.50 | 1.50 | 1.50 | 1.59 | 1.59 | 1.59 | 1.59 | 1.68 | 1.69 | 1.69 | 1.69 | 1.79 | 1.79 | 1.79 | 1.79 |
| | 50 | TC | 22469 | 22499 | 22524 | 22555 | 23819 | 23848 | 23876 | 23904 | 25243 | 25276 | 25308 | 25337 | 26764 | 26794 | 26827 | 26860 |
| | | S/T | 0.23 | 0.26 | 0.30 | 0.34 | 0.24 | 0.28 | 0.32 | 0.36 | 0.25 | 0.30 | 0.34 | 0.38 | 0.27 | 0.31 | 0.36 | 0.41 |
| | | PI | 1.50 | 1.50 | 1.51 | 1.51 | 1.59 | 1.59 | 1.60 | 1.60 | 1.69 | 1.69 | 1.69 | 1.69 | 1.79 | 1.79 | 1.79 | 1.80 |
| | 59 | TC | 22412 | 22442 | 22467 | 22497 | 23759 | 23787 | 23815 | 23843 | 25178 | 25211 | 25244 | 25272 | 26696 | 26725 | 26758 | 26792 |
| | | S/T | 0.23 | 0.27 | 0.30 | 0.34 | 0.24 | 0.28 | 0.32 | 0.36 | 0.25 | 0.30 | 0.34 | 0.39 | 0.27 | 0.32 | 0.36 | 0.41 |
| | | PI | 1.51 | 1.52 | 1.52 | 1.52 | 1.60 | 1.61 | 1.61 | 1.61 | 1.70 | 1.70 | 1.71 | 1.71 | 1.80 | 1.81 | 1.81 | 1.81 |
| | 68 | TC | 22354 | 22384 | 22409 | 22440 | 23698 | 23726 | 23754 | 23782 | 25114 | 25147 | 25179 | 25207 | 26628 | 26657 | 26690 | 26723 |
| | | S/T | 0.23 | 0.27 | 0.30 | 0.35 | 0.24 | 0.28 | 0.32 | 0.37 | 0.26 | 0.30 | 0.34 | 0.39 | 0.27 | 0.32 | 0.36 | 0.41 |
| | | PI | 1.52 | 1.53 | 1.53 | 1.53 | 1.62 | 1.62 | 1.62 | 1.62 | 1.71 | 1.72 | 1.72 | 1.72 | 1.82 | 1.82 | 1.82 | 1.82 |
| | 77 | TC | 22297 | 22327 | 22352 | 22382 | 23637 | 23665 | 23693 | 23721 | 25049 | 25082 | 25115 | 25143 | 26560 | 26588 | 26622 | 26655 |
| | | S/T | 0.23 | 0.27 | 0.31 | 0.35 | 0.25 | 0.29 | 0.33 | 0.38 | 0.26 | 0.31 | 0.35 | 0.40 | 0.28 | 0.33 | 0.37 | 0.42 |
| | | PI | 1.54 | 1.54 | 1.54 | 1.54 | 1.63 | 1.63 | 1.63 | 1.63 | 1.73 | 1.73 | 1.73 | 1.73 | 1.83 | 1.83 | 1.83 | 1.84 |
| | 86 | TC | 19301 | 19327 | 19348 | 19375 | 20461 | 20485 | 20509 | 20534 | 21684 | 21712 | 21740 | 21764 | 22991 | 23016 | 23044 | 23073 |
| | | S/T | 0.24 | 0.28 | 0.32 | 0.36 | 0.25 | 0.29 | 0.33 | 0.38 | 0.27 | 0.31 | 0.35 | 0.40 | 0.28 | 0.33 | 0.38 | 0.43 |
| | | PI | 1.66 | 1.67 | 1.67 | 1.67 | 1.76 | 1.77 | 1.77 | 1.77 | 1.87 | 1.87 | 1.87 | 1.88 | 1.98 | 1.98 | 1.99 | 1.99 |
| | 95 | TC | 18565 | 18590 | 18611 | 18636 | 19681 | 19704 | 19728 | 19751 | 20857 | 20884 | 20911 | 20935 | 22115 | 22139 | 22166 | 22194 |
| | | S/T | 0.24 | 0.28 | 0.32 | 0.37 | 0.26 | 0.30 | 0.34 | 0.39 | 0.27 | 0.32 | 0.36 | 0.41 | 0.29 | 0.34 | 0.39 | 0.44 |
| | | PI | 1.70 | 1.70 | 1.71 | 1.71 | 1.80 | 1.81 | 1.81 | 1.81 | 1.91 | 1.91 | 1.92 | 1.92 | 2.03 | 2.03 | 2.03 | 2.03 |
| 104 | TC | 16068 | 16090 | 16108 | 16129 | 17034 | 17054 | 17074 | 17094 | 18052 | 18075 | 18099 | 18119 | 19140 | 19161 | 19185 | 19208 | |
| | S/T | 0.25 | 0.30 | 0.34 | 0.39 | 0.27 | 0.32 | 0.36 | 0.41 | 0.29 | 0.34 | 0.38 | 0.43 | 0.30 | 0.36 | 0.40 | 0.46 | |
| | PI | 3.66 | 3.67 | 3.67 | 3.68 | 3.88 | 3.89 | 3.89 | 3.90 | 4.11 | 4.12 | 4.12 | 4.13 | 4.36 | 4.37 | 4.37 | 4.38 | |
| 114.8 | TC | 13071 | 13089 | 13104 | 13121 | 13857 | 13873 | 13890 | 13906 | 14685 | 14704 | 14723 | 14740 | 15570 | 15587 | 15607 | 15626 | |
| | S/T | 0.26 | 0.30 | 0.34 | 0.39 | 0.27 | 0.32 | 0.36 | 0.42 | 0.29 | 0.34 | 0.39 | 0.44 | 0.31 | 0.36 | 0.41 | 0.47 | |
| | PI | 6.01 | 6.02 | 6.03 | 6.04 | 6.38 | 6.38 | 6.39 | 6.40 | 6.76 | 6.77 | 6.77 | 6.78 | 7.16 | 7.17 | 7.18 | 7.19 | |
| 122 | TC | 11074 | 11088 | 11101 | 11116 | 11739 | 11753 | 11767 | 11781 | 12441 | 12457 | 12473 | 12487 | 13191 | 13205 | 13221 | 13238 | |
| | S/T | 0.27 | 0.31 | 0.36 | 0.41 | 0.28 | 0.33 | 0.38 | 0.43 | 0.30 | 0.35 | 0.40 | 0.46 | 0.32 | 0.37 | 0.42 | 0.48 | |
| | PI | 7.58 | 7.59 | 7.60 | 7.61 | 8.04 | 8.05 | 8.06 | 8.07 | 8.52 | 8.53 | 8.54 | 8.55 | 9.03 | 9.04 | 9.05 | 9.06 | |

NON-DUCTED COOLING PERFORMANCE 36R (Sheet 2 of 4)

| AIRFLOW (CFM) | OUTDOOR DB (°F) | ID WB (°F) ID DB (°F) | 60.8 | | | | 64.4 | | | | 66.2 | | | | 71.6 | | | |
|---------------|-----------------|--------------------------|-------|-------|-------|-------|-------|-------|-------|-------|-------|-------|-------|-------|-------|-------|-------|-------|
| | | | 73.4 | 77.0 | 80.6 | 84.2 | 73.4 | 77.0 | 80.6 | 84.2 | 73.4 | 77.0 | 80.0 | 84.2 | 73.4 | 77.0 | 80.6 | 84.2 |
| 854 | -22 | TC | 31129 | 31171 | 31206 | 31248 | 33000 | 33039 | 33078 | 33117 | 34972 | 35017 | 35063 | 35102 | 37080 | 37121 | 37167 | 37213 |
| | | S/T | 0.32 | 0.38 | 0.43 | 0.49 | 0.34 | 0.40 | 0.45 | 0.52 | 0.36 | 0.42 | 0.48 | 0.55 | 0.38 | 0.45 | 0.51 | 0.58 |
| | | PI | 1.96 | 1.96 | 1.96 | 1.97 | 2.08 | 2.08 | 2.08 | 2.08 | 2.20 | 2.20 | 2.21 | 2.21 | 2.33 | 2.34 | 2.34 | 2.34 |
| | -10 | TC | 30721 | 30762 | 30797 | 30838 | 32567 | 32606 | 32644 | 32683 | 34513 | 34558 | 34603 | 34642 | 36594 | 36634 | 36679 | 36725 |
| | | S/T | 0.32 | 0.38 | 0.43 | 0.49 | 0.34 | 0.40 | 0.46 | 0.52 | 0.36 | 0.43 | 0.48 | 0.55 | 0.38 | 0.45 | 0.51 | 0.58 |
| | | PI | 2.02 | 2.02 | 2.02 | 2.03 | 2.14 | 2.14 | 2.15 | 2.15 | 2.27 | 2.27 | 2.27 | 2.28 | 2.41 | 2.41 | 2.41 | 2.41 |
| | 0 | TC | 30381 | 30421 | 30456 | 30497 | 32207 | 32245 | 32283 | 32321 | 34131 | 34175 | 34220 | 34258 | 36189 | 36228 | 36273 | 36318 |
| | | S/T | 0.32 | 0.38 | 0.43 | 0.49 | 0.34 | 0.40 | 0.46 | 0.52 | 0.36 | 0.43 | 0.49 | 0.55 | 0.39 | 0.45 | 0.52 | 0.59 |
| | | PI | 2.07 | 2.07 | 2.07 | 2.08 | 2.19 | 2.20 | 2.20 | 2.20 | 2.32 | 2.33 | 2.33 | 2.33 | 2.46 | 2.47 | 2.47 | 2.47 |
| | 5 | TC | 30210 | 30251 | 30285 | 30326 | 32026 | 32064 | 32102 | 32140 | 33940 | 33984 | 34028 | 34066 | 35986 | 36025 | 36070 | 36115 |
| | | S/T | 0.33 | 0.38 | 0.43 | 0.50 | 0.35 | 0.41 | 0.46 | 0.52 | 0.37 | 0.43 | 0.49 | 0.56 | 0.39 | 0.46 | 0.52 | 0.59 |
| | | PI | 2.09 | 2.10 | 2.10 | 2.10 | 2.22 | 2.22 | 2.23 | 2.23 | 2.35 | 2.36 | 2.36 | 2.36 | 2.49 | 2.50 | 2.50 | 2.50 |
| | 14 | TC | 29904 | 29945 | 29978 | 30019 | 31702 | 31739 | 31777 | 31815 | 33596 | 33640 | 33683 | 33721 | 35621 | 35660 | 35704 | 35749 |
| | | S/T | 0.33 | 0.38 | 0.44 | 0.50 | 0.35 | 0.41 | 0.46 | 0.53 | 0.37 | 0.43 | 0.49 | 0.56 | 0.39 | 0.46 | 0.52 | 0.59 |
| | | PI | 2.14 | 2.14 | 2.14 | 2.15 | 2.27 | 2.27 | 2.27 | 2.28 | 2.40 | 2.41 | 2.41 | 2.41 | 2.55 | 2.55 | 2.55 | 2.56 |
| | 17 | TC | 29802 | 29842 | 29876 | 29916 | 31593 | 31631 | 31668 | 31706 | 33481 | 33525 | 33568 | 33606 | 35500 | 35538 | 35583 | 35627 |
| | | S/T | 0.33 | 0.38 | 0.44 | 0.50 | 0.35 | 0.41 | 0.46 | 0.53 | 0.37 | 0.43 | 0.49 | 0.56 | 0.39 | 0.46 | 0.52 | 0.59 |
| | | PI | 2.15 | 2.16 | 2.16 | 2.16 | 2.28 | 2.29 | 2.29 | 2.29 | 2.42 | 2.42 | 2.43 | 2.43 | 2.57 | 2.57 | 2.57 | 2.57 |
| | 23 | TC | 29666 | 29706 | 29739 | 29779 | 31449 | 31486 | 31524 | 31561 | 33328 | 33372 | 33415 | 33452 | 35338 | 35376 | 35420 | 35464 |
| | | S/T | 0.33 | 0.39 | 0.44 | 0.50 | 0.35 | 0.41 | 0.46 | 0.53 | 0.37 | 0.43 | 0.49 | 0.56 | 0.39 | 0.46 | 0.52 | 0.60 |
| | | PI | 2.16 | 2.17 | 2.17 | 2.17 | 2.29 | 2.30 | 2.30 | 2.30 | 2.43 | 2.43 | 2.44 | 2.44 | 2.58 | 2.58 | 2.58 | 2.59 |
| | 32 | TC | 29462 | 29502 | 29535 | 29575 | 31233 | 31270 | 31307 | 31344 | 33099 | 33142 | 33185 | 33222 | 35094 | 35133 | 35176 | 35220 |
| | | S/T | 0.33 | 0.39 | 0.44 | 0.50 | 0.35 | 0.41 | 0.47 | 0.53 | 0.37 | 0.44 | 0.50 | 0.56 | 0.39 | 0.46 | 0.53 | 0.60 |
| | | PI | 2.18 | 2.18 | 2.18 | 2.19 | 2.31 | 2.31 | 2.32 | 2.32 | 2.45 | 2.45 | 2.45 | 2.46 | 2.60 | 2.60 | 2.60 | 2.60 |
| | 41 | TC | 29190 | 29229 | 29262 | 29301 | 30944 | 30981 | 31018 | 31054 | 32793 | 32836 | 32879 | 32915 | 34770 | 34808 | 34851 | 34895 |
| | | S/T | 0.33 | 0.39 | 0.44 | 0.51 | 0.35 | 0.41 | 0.47 | 0.54 | 0.37 | 0.44 | 0.50 | 0.57 | 0.40 | 0.46 | 0.53 | 0.60 |
| | | PI | 2.20 | 2.20 | 2.20 | 2.21 | 2.33 | 2.33 | 2.34 | 2.34 | 2.47 | 2.47 | 2.48 | 2.48 | 2.62 | 2.62 | 2.63 | 2.63 |
| | 47 | TC | 28986 | 29025 | 29057 | 29096 | 30728 | 30764 | 30801 | 30837 | 32564 | 32606 | 32649 | 32685 | 34527 | 34565 | 34608 | 34651 |
| | | S/T | 0.33 | 0.39 | 0.44 | 0.51 | 0.35 | 0.41 | 0.47 | 0.54 | 0.37 | 0.44 | 0.50 | 0.57 | 0.40 | 0.47 | 0.53 | 0.60 |
| | | PI | 2.21 | 2.22 | 2.22 | 2.22 | 2.35 | 2.35 | 2.35 | 2.35 | 2.49 | 2.49 | 2.49 | 2.50 | 2.64 | 2.64 | 2.64 | 2.65 |
| | 50 | TC | 28961 | 29000 | 29033 | 29072 | 30702 | 30738 | 30775 | 30811 | 32536 | 32579 | 32621 | 32657 | 34498 | 34535 | 34578 | 34621 |
| | | S/T | 0.33 | 0.39 | 0.45 | 0.51 | 0.35 | 0.42 | 0.47 | 0.54 | 0.38 | 0.44 | 0.50 | 0.57 | 0.40 | 0.47 | 0.53 | 0.60 |
| | | PI | 2.22 | 2.22 | 2.22 | 2.23 | 2.35 | 2.36 | 2.36 | 2.36 | 2.49 | 2.50 | 2.50 | 2.50 | 2.64 | 2.65 | 2.65 | 2.65 |
| | 59 | TC | 28887 | 28926 | 28958 | 28998 | 30623 | 30660 | 30696 | 30732 | 32453 | 32495 | 32538 | 32574 | 34410 | 34447 | 34490 | 34533 |
| | | S/T | 0.34 | 0.39 | 0.45 | 0.51 | 0.36 | 0.42 | 0.47 | 0.54 | 0.38 | 0.44 | 0.50 | 0.57 | 0.40 | 0.47 | 0.53 | 0.61 |
| | | PI | 2.24 | 2.24 | 2.24 | 2.24 | 2.37 | 2.37 | 2.38 | 2.38 | 2.51 | 2.51 | 2.52 | 2.52 | 2.66 | 2.67 | 2.67 | 2.67 |
| | 68 | TC | 28813 | 28852 | 28884 | 28923 | 30545 | 30581 | 30617 | 30654 | 32370 | 32412 | 32455 | 32491 | 34322 | 34359 | 34402 | 34445 |
| | | S/T | 0.34 | 0.40 | 0.45 | 0.51 | 0.36 | 0.42 | 0.48 | 0.54 | 0.38 | 0.44 | 0.51 | 0.58 | 0.40 | 0.47 | 0.54 | 0.61 |
| | | PI | 2.25 | 2.25 | 2.26 | 2.26 | 2.39 | 2.39 | 2.39 | 2.40 | 2.53 | 2.53 | 2.54 | 2.54 | 2.68 | 2.68 | 2.69 | 2.69 |
| | 77 | TC | 28739 | 28778 | 28810 | 28849 | 30467 | 30503 | 30539 | 30575 | 32287 | 32329 | 32371 | 32407 | 34234 | 34271 | 34314 | 34356 |
| | | S/T | 0.35 | 0.41 | 0.46 | 0.53 | 0.37 | 0.43 | 0.49 | 0.56 | 0.39 | 0.46 | 0.52 | 0.59 | 0.41 | 0.48 | 0.55 | 0.63 |
| | | PI | 2.27 | 2.27 | 2.27 | 2.28 | 2.40 | 2.41 | 2.41 | 2.41 | 2.55 | 2.55 | 2.55 | 2.56 | 2.70 | 2.70 | 2.71 | 2.71 |
| | 86 | TC | 24878 | 24911 | 24939 | 24973 | 26373 | 26404 | 26435 | 26467 | 27949 | 27985 | 28021 | 28053 | 29634 | 29666 | 29703 | 29740 |
| | | S/T | 0.35 | 0.41 | 0.47 | 0.53 | 0.37 | 0.44 | 0.50 | 0.57 | 0.39 | 0.46 | 0.53 | 0.60 | 0.42 | 0.49 | 0.56 | 0.64 |
| | | PI | 2.46 | 2.46 | 2.46 | 2.47 | 2.60 | 2.61 | 2.61 | 2.61 | 2.76 | 2.76 | 2.77 | 2.77 | 2.93 | 2.93 | 2.93 | 2.94 |
| | 95 | TC | 23930 | 23962 | 23989 | 24021 | 25368 | 25398 | 25428 | 25458 | 26884 | 26919 | 26954 | 26984 | 28504 | 28535 | 28571 | 28606 |
| | | S/T | 0.36 | 0.42 | 0.48 | 0.55 | 0.38 | 0.45 | 0.51 | 0.58 | 0.40 | 0.47 | 0.54 | 0.61 | 0.43 | 0.50 | 0.57 | 0.65 |
| | | PI | 2.51 | 2.52 | 2.52 | 2.52 | 2.66 | 2.67 | 2.67 | 2.67 | 2.82 | 2.83 | 2.83 | 2.83 | 2.99 | 3.00 | 3.00 | 3.00 |
| 104 | TC | 20711 | 20739 | 20762 | 20790 | 21956 | 21982 | 22008 | 22034 | 23268 | 23298 | 23328 | 23354 | 24670 | 24697 | 24728 | 24759 | |
| | S/T | 0.38 | 0.44 | 0.50 | 0.57 | 0.40 | 0.47 | 0.53 | 0.61 | 0.42 | 0.50 | 0.57 | 0.65 | 0.45 | 0.53 | 0.60 | 0.68 | |
| | PI | 5.41 | 5.41 | 5.42 | 5.43 | 5.73 | 5.74 | 5.75 | 5.75 | 6.08 | 6.08 | 6.09 | 6.10 | 6.44 | 6.45 | 6.46 | 6.46 | |
| 114.8 | TC | 16848 | 16871 | 16890 | 16913 | 17861 | 17882 | 17903 | 17924 | 18928 | 18953 | 18977 | 18999 | 20069 | 20091 | 20116 | 20141 | |
| | S/T | 0.38 | 0.45 | 0.51 | 0.58 | 0.41 | 0.48 | 0.54 | 0.62 | 0.43 | 0.50 | 0.57 | 0.65 | 0.46 | 0.53 | 0.61 | 0.69 | |
| | PI | 8.88 | 8.89 | 8.90 | 8.92 | 9.42 | 9.43 | 9.44 | 9.45 | 9.98 | 9.99 | 10.00 | 10.01 | 10.58 | 10.59 | 10.60 | 10.62 | |
| 122 | TC | 14273 | 14292 | 14308 | 14328 | 15131 | 15149 | 15167 | 15185 | 16035 | 16056 | 16077 | 16095 | 17002 | 17020 | 17042 | 17063 | |
| | S/T | 0.40 | 0.46 | 0.53 | 0.60 | 0.42 | 0.49 | 0.56 | 0.64 | 0.44 | 0.52 | 0.59 | 0.68 | 0.47 | 0.55 | 0.63 | 0.72 | |
| | PI | 11.20 | 11.21 | 11.22 | 11.24 | 11.87 | 11.88 | 11.90 | 11.91 | 12.58 | 12.60 | 12.61 | 12.63 | 13.34 | 13.35 | 13.37 | 13.39 | |

NON-DUCTED COOLING PERFORMANCE 36R (Sheet 3 of 4)

| AIRFLOW (CFM) | OUTDOOR DB (°F) | ID WB (°F) ID DB (°F) | 60.8 | | | | 64.4 | | | | 66.2 | | | | 71.6 | | | |
|---------------|-----------------|--------------------------|-------|-------|-------|-------|-------|-------|-------|-------|-------|-------|-------|-------|-------|-------|-------|-------|
| | | | 73.4 | 77.0 | 80.6 | 84.2 | 73.4 | 77.0 | 80.6 | 84.2 | 73.4 | 77.0 | 80.0 | 84.2 | 73.4 | 77.0 | 80.6 | 84.2 |
| 1280 | -22 | TC | 46195 | 46257 | 46309 | 46372 | 48972 | 49030 | 49088 | 49146 | 51898 | 51965 | 52033 | 52091 | 55027 | 55086 | 55155 | 55224 |
| | | S/T | 0.48 | 0.56 | 0.63 | 0.72 | 0.50 | 0.59 | 0.67 | 0.77 | 0.53 | 0.63 | 0.71 | 0.81 | 0.57 | 0.67 | 0.76 | 0.86 |
| | | PI | 2.91 | 2.91 | 2.91 | 2.92 | 3.08 | 3.09 | 3.09 | 3.09 | 3.27 | 3.27 | 3.28 | 3.28 | 3.46 | 3.47 | 3.47 | 3.48 |
| | -10 | TC | 45589 | 45651 | 45702 | 45763 | 48329 | 48387 | 48444 | 48501 | 51217 | 51284 | 51351 | 51408 | 54305 | 54364 | 54432 | 54499 |
| | | S/T | 0.48 | 0.56 | 0.64 | 0.73 | 0.51 | 0.60 | 0.68 | 0.77 | 0.54 | 0.63 | 0.72 | 0.82 | 0.57 | 0.67 | 0.76 | 0.87 |
| | | PI | 3.00 | 3.00 | 3.00 | 3.01 | 3.18 | 3.18 | 3.18 | 3.19 | 3.37 | 3.37 | 3.38 | 3.38 | 3.57 | 3.57 | 3.58 | 3.58 |
| | 0 | TC | 45084 | 45145 | 45196 | 45257 | 47794 | 47851 | 47907 | 47964 | 50650 | 50716 | 50782 | 50839 | 53704 | 53762 | 53829 | 53896 |
| | | S/T | 0.48 | 0.57 | 0.64 | 0.73 | 0.51 | 0.60 | 0.68 | 0.78 | 0.54 | 0.64 | 0.72 | 0.82 | 0.57 | 0.67 | 0.77 | 0.87 |
| | | PI | 3.07 | 3.07 | 3.08 | 3.08 | 3.25 | 3.26 | 3.26 | 3.27 | 3.45 | 3.45 | 3.46 | 3.46 | 3.66 | 3.66 | 3.67 | 3.67 |
| | 5 | TC | 44832 | 44892 | 44943 | 45003 | 47527 | 47583 | 47639 | 47696 | 50367 | 50432 | 50498 | 50554 | 53403 | 53461 | 53527 | 53594 |
| | | S/T | 0.48 | 0.57 | 0.64 | 0.73 | 0.51 | 0.60 | 0.68 | 0.78 | 0.54 | 0.64 | 0.72 | 0.83 | 0.58 | 0.68 | 0.77 | 0.88 |
| | | PI | 3.11 | 3.11 | 3.11 | 3.12 | 3.29 | 3.30 | 3.30 | 3.31 | 3.49 | 3.50 | 3.50 | 3.50 | 3.70 | 3.71 | 3.71 | 3.71 |
| | 14 | TC | 44378 | 44437 | 44487 | 44547 | 47045 | 47101 | 47156 | 47212 | 49856 | 49921 | 49986 | 50042 | 52862 | 52919 | 52985 | 53051 |
| | | S/T | 0.49 | 0.57 | 0.65 | 0.74 | 0.51 | 0.60 | 0.69 | 0.78 | 0.55 | 0.64 | 0.73 | 0.83 | 0.58 | 0.68 | 0.77 | 0.88 |
| | | PI | 3.17 | 3.18 | 3.18 | 3.19 | 3.36 | 3.37 | 3.37 | 3.38 | 3.57 | 3.57 | 3.58 | 3.58 | 3.78 | 3.78 | 3.79 | 3.79 |
| | 17 | TC | 44226 | 44286 | 44335 | 44395 | 46884 | 46940 | 46995 | 47051 | 49686 | 49750 | 49815 | 49871 | 52681 | 52739 | 52804 | 52870 |
| | | S/T | 0.49 | 0.57 | 0.65 | 0.74 | 0.52 | 0.61 | 0.69 | 0.78 | 0.55 | 0.64 | 0.73 | 0.83 | 0.58 | 0.68 | 0.77 | 0.88 |
| | | PI | 3.20 | 3.20 | 3.20 | 3.21 | 3.39 | 3.39 | 3.40 | 3.40 | 3.59 | 3.60 | 3.60 | 3.60 | 3.81 | 3.81 | 3.82 | 3.82 |
| | 23 | TC | 44024 | 44083 | 44133 | 44192 | 46670 | 46725 | 46781 | 46836 | 49459 | 49523 | 49588 | 49643 | 52441 | 52498 | 52563 | 52628 |
| | | S/T | 0.49 | 0.57 | 0.65 | 0.74 | 0.52 | 0.61 | 0.69 | 0.79 | 0.55 | 0.64 | 0.73 | 0.83 | 0.58 | 0.68 | 0.78 | 0.88 |
| | | PI | 3.21 | 3.22 | 3.22 | 3.22 | 3.40 | 3.41 | 3.41 | 3.42 | 3.61 | 3.61 | 3.62 | 3.62 | 3.82 | 3.83 | 3.83 | 3.84 |
| | 32 | TC | 43721 | 43780 | 43829 | 43888 | 46349 | 46404 | 46459 | 46514 | 49119 | 49183 | 49247 | 49301 | 52080 | 52136 | 52201 | 52266 |
| | | S/T | 0.49 | 0.58 | 0.65 | 0.75 | 0.52 | 0.61 | 0.69 | 0.79 | 0.55 | 0.65 | 0.74 | 0.84 | 0.58 | 0.69 | 0.78 | 0.89 |
| | | PI | 3.23 | 3.24 | 3.24 | 3.25 | 3.43 | 3.43 | 3.44 | 3.44 | 3.63 | 3.64 | 3.64 | 3.65 | 3.85 | 3.86 | 3.86 | 3.86 |
| | 41 | TC | 43317 | 43376 | 43424 | 43483 | 45921 | 45975 | 46030 | 46084 | 48665 | 48728 | 48792 | 48846 | 51599 | 51655 | 51719 | 51784 |
| | | S/T | 0.49 | 0.58 | 0.66 | 0.75 | 0.52 | 0.61 | 0.70 | 0.79 | 0.55 | 0.65 | 0.74 | 0.84 | 0.59 | 0.69 | 0.78 | 0.89 |
| | | PI | 3.26 | 3.27 | 3.27 | 3.28 | 3.46 | 3.46 | 3.47 | 3.47 | 3.67 | 3.67 | 3.68 | 3.68 | 3.89 | 3.89 | 3.90 | 3.90 |
| | 47 | TC | 43014 | 43072 | 43121 | 43179 | 45600 | 45654 | 45708 | 45762 | 48325 | 48387 | 48450 | 48504 | 51238 | 51294 | 51357 | 51421 |
| | | S/T | 0.49 | 0.58 | 0.66 | 0.75 | 0.52 | 0.61 | 0.70 | 0.80 | 0.56 | 0.65 | 0.74 | 0.84 | 0.59 | 0.69 | 0.78 | 0.89 |
| | | PI | 3.28 | 3.29 | 3.29 | 3.30 | 3.48 | 3.49 | 3.49 | 3.49 | 3.69 | 3.70 | 3.70 | 3.70 | 3.91 | 3.92 | 3.92 | 3.93 |
| | 50 | TC | 42978 | 43036 | 43084 | 43142 | 45561 | 45615 | 45669 | 45723 | 48284 | 48346 | 48409 | 48463 | 51194 | 51250 | 51314 | 51378 |
| | | S/T | 0.50 | 0.58 | 0.66 | 0.75 | 0.53 | 0.62 | 0.70 | 0.80 | 0.56 | 0.65 | 0.74 | 0.85 | 0.59 | 0.69 | 0.79 | 0.90 |
| | | PI | 3.29 | 3.30 | 3.30 | 3.31 | 3.49 | 3.49 | 3.50 | 3.50 | 3.70 | 3.70 | 3.71 | 3.71 | 3.92 | 3.93 | 3.93 | 3.94 |
| | 59 | TC | 42868 | 42926 | 42974 | 43032 | 45445 | 45499 | 45553 | 45607 | 48160 | 48223 | 48286 | 48340 | 51064 | 51119 | 51183 | 51247 |
| | | S/T | 0.50 | 0.58 | 0.66 | 0.76 | 0.53 | 0.62 | 0.70 | 0.80 | 0.56 | 0.66 | 0.75 | 0.85 | 0.59 | 0.70 | 0.79 | 0.90 |
| | | PI | 3.32 | 3.32 | 3.33 | 3.33 | 3.52 | 3.52 | 3.52 | 3.53 | 3.73 | 3.73 | 3.74 | 3.74 | 3.95 | 3.96 | 3.96 | 3.97 |
| | 68 | TC | 42759 | 42816 | 42864 | 42922 | 45329 | 45382 | 45436 | 45490 | 48037 | 48100 | 48162 | 48216 | 50933 | 50988 | 51052 | 51115 |
| | | S/T | 0.50 | 0.59 | 0.67 | 0.76 | 0.53 | 0.62 | 0.71 | 0.81 | 0.56 | 0.66 | 0.75 | 0.86 | 0.60 | 0.70 | 0.80 | 0.91 |
| | | PI | 3.34 | 3.35 | 3.35 | 3.35 | 3.54 | 3.55 | 3.55 | 3.55 | 3.75 | 3.76 | 3.76 | 3.77 | 3.98 | 3.98 | 3.99 | 3.99 |
| | 77 | TC | 42649 | 42706 | 42754 | 42812 | 45212 | 45266 | 45319 | 45373 | 47914 | 47976 | 48039 | 48092 | 50802 | 50858 | 50921 | 50984 |
| | | S/T | 0.51 | 0.60 | 0.69 | 0.78 | 0.54 | 0.64 | 0.73 | 0.83 | 0.58 | 0.68 | 0.77 | 0.88 | 0.61 | 0.72 | 0.82 | 0.93 |
| | | PI | 3.37 | 3.37 | 3.37 | 3.38 | 3.57 | 3.57 | 3.58 | 3.58 | 3.78 | 3.79 | 3.79 | 3.79 | 4.01 | 4.01 | 4.02 | 4.02 |
| | 86 | TC | 36918 | 36968 | 37009 | 37059 | 39137 | 39183 | 39230 | 39276 | 41476 | 41530 | 41584 | 41630 | 43976 | 44024 | 44079 | 44133 |
| | | S/T | 0.52 | 0.61 | 0.69 | 0.79 | 0.55 | 0.65 | 0.74 | 0.84 | 0.59 | 0.69 | 0.78 | 0.89 | 0.62 | 0.73 | 0.83 | 0.94 |
| | | PI | 3.65 | 3.65 | 3.65 | 3.66 | 3.86 | 3.87 | 3.87 | 3.88 | 4.10 | 4.10 | 4.11 | 4.11 | 4.34 | 4.35 | 4.35 | 4.36 |
| | 95 | TC | 35511 | 35559 | 35599 | 35647 | 37646 | 37690 | 37735 | 37780 | 39895 | 39947 | 39999 | 40044 | 42300 | 42346 | 42399 | 42452 |
| | | S/T | 0.53 | 0.63 | 0.71 | 0.81 | 0.57 | 0.66 | 0.75 | 0.86 | 0.60 | 0.70 | 0.80 | 0.91 | 0.64 | 0.75 | 0.85 | 0.97 |
| | | PI | 3.73 | 3.73 | 3.74 | 3.74 | 3.95 | 3.96 | 3.96 | 3.97 | 4.19 | 4.19 | 4.20 | 4.20 | 4.44 | 4.45 | 4.45 | 4.46 |
| 104 | TC | 30735 | 30776 | 30810 | 30852 | 32582 | 32620 | 32659 | 32698 | 34529 | 34574 | 34619 | 34657 | 36610 | 36650 | 36696 | 36741 | |
| | S/T | 0.56 | 0.66 | 0.75 | 0.85 | 0.59 | 0.70 | 0.79 | 0.90 | 0.63 | 0.74 | 0.84 | 0.96 | 0.67 | 0.78 | 0.89 | 1.02 | |
| | PI | 8.02 | 8.04 | 8.04 | 8.06 | 8.51 | 8.52 | 8.53 | 8.54 | 9.02 | 9.03 | 9.04 | 9.05 | 9.56 | 9.57 | 9.58 | 9.59 | |
| 114.8 | TC | 25003 | 25036 | 25064 | 25098 | 26505 | 26537 | 26568 | 26600 | 28089 | 28126 | 28162 | 28194 | 29782 | 29815 | 29852 | 29889 | |
| | S/T | 0.57 | 0.67 | 0.76 | 0.86 | 0.60 | 0.71 | 0.80 | 0.91 | 0.64 | 0.75 | 0.85 | 0.97 | 0.68 | 0.79 | 0.90 | 1.03 | |
| | PI | 13.18 | 13.20 | 13.21 | 13.23 | 13.97 | 13.99 | 14.00 | 14.02 | 14.81 | 14.83 | 14.85 | 14.86 | 15.70 | 15.72 | 15.74 | 15.76 | |
| 122 | TC | 21181 | 21210 | 21234 | 21262 | 22454 | 22481 | 22508 | 22534 | 23796 | 23827 | 23858 | 23885 | 25231 | 25258 | 25289 | 25321 | |
| | S/T | 0.59 | 0.69 | 0.78 | 0.89 | 0.62 | 0.73 | 0.83 | 0.95 | 0.66 | 0.77 | 0.88 | 1.00 | 0.70 | 0.82 | 0.93 | 1.06 | |
| | PI | 16.62 | 16.64 | 16.66 | 16.68 | 17.62 | 17.64 | 17.66 | 17.68 | 18.67 | 18.69 | 18.72 | 18.74 | 19.79 | 19.81 | 19.84 | 19.86 | |

NON-DUCTED COOLING PERFORMANCE 36R (Sheet 4 of 4)

| AIRFLOW (CFM) | OUTDOOR DB (°F) | ID WB (°F) ID DB (°F) | 60.8 | | | | 64.4 | | | | 66.2 | | | | 71.6 | | | |
|------------------|--------------------|--------------------------|-------|-------|-------|-------|-------|-------|-------|-------|-------|-------|-------|-------|-------|-------|-------|-------|
| | | | 73.4 | 77.0 | 80.6 | 84.2 | 73.4 | 77.0 | 80.6 | 84.2 | 73.4 | 77.0 | 80.0 | 84.20 | 73.4 | 77.0 | 80.6 | 84.2 |
| 1400 | -22 | TC | 50026 | 50093 | 50149 | 50217 | 53032 | 53095 | 53158 | 53221 | 56201 | 56274 | 56348 | 56411 | 59589 | 59654 | 59728 | 59803 |
| | | S/T | 0.52 | 0.60 | 0.69 | 0.78 | 0.55 | 0.64 | 0.73 | 0.83 | 0.58 | 0.68 | 0.77 | 0.88 | 0.61 | 0.72 | 0.82 | 0.93 |
| | | PI | 3.15 | 3.15 | 3.16 | 3.16 | 3.34 | 3.34 | 3.35 | 3.35 | 3.54 | 3.54 | 3.55 | 3.55 | 3.75 | 3.75 | 3.76 | 3.76 |
| | -10 | TC | 49370 | 49436 | 49491 | 49558 | 52337 | 52399 | 52461 | 52523 | 55464 | 55536 | 55609 | 55671 | 58808 | 58872 | 58945 | 59019 |
| | | S/T | 0.52 | 0.61 | 0.69 | 0.79 | 0.55 | 0.65 | 0.73 | 0.84 | 0.58 | 0.68 | 0.78 | 0.89 | 0.62 | 0.73 | 0.82 | 0.94 |
| | | PI | 3.24 | 3.25 | 3.25 | 3.26 | 3.44 | 3.44 | 3.45 | 3.45 | 3.65 | 3.65 | 3.65 | 3.66 | 3.87 | 3.87 | 3.87 | 3.88 |
| | 0 | TC | 48823 | 48889 | 48943 | 49009 | 51757 | 51819 | 51880 | 51942 | 54850 | 54921 | 54993 | 55054 | 58157 | 58220 | 58292 | 58365 |
| | | S/T | 0.52 | 0.61 | 0.70 | 0.79 | 0.55 | 0.65 | 0.74 | 0.84 | 0.59 | 0.69 | 0.78 | 0.89 | 0.62 | 0.73 | 0.83 | 0.94 |
| | | PI | 3.32 | 3.33 | 3.33 | 3.34 | 3.52 | 3.53 | 3.53 | 3.54 | 3.74 | 3.74 | 3.75 | 3.75 | 3.96 | 3.96 | 3.97 | 3.97 |
| | 5 | TC | 48550 | 48615 | 48669 | 48735 | 51467 | 51528 | 51590 | 51651 | 54543 | 54614 | 54685 | 54746 | 57831 | 57894 | 57966 | 58038 |
| | | S/T | 0.52 | 0.61 | 0.70 | 0.80 | 0.55 | 0.65 | 0.74 | 0.84 | 0.59 | 0.69 | 0.78 | 0.89 | 0.62 | 0.73 | 0.83 | 0.95 |
| | | PI | 3.36 | 3.37 | 3.37 | 3.38 | 3.57 | 3.57 | 3.58 | 3.58 | 3.78 | 3.79 | 3.79 | 3.79 | 4.01 | 4.01 | 4.02 | 4.02 |
| | 14 | TC | 48057 | 48122 | 48176 | 48241 | 50946 | 51006 | 51067 | 51127 | 53990 | 54060 | 54131 | 54191 | 57245 | 57307 | 57379 | 57450 |
| | | S/T | 0.53 | 0.62 | 0.70 | 0.80 | 0.56 | 0.65 | 0.74 | 0.85 | 0.59 | 0.69 | 0.79 | 0.90 | 0.63 | 0.74 | 0.84 | 0.95 |
| | | PI | 3.44 | 3.44 | 3.45 | 3.45 | 3.64 | 3.65 | 3.65 | 3.66 | 3.86 | 3.87 | 3.87 | 3.88 | 4.09 | 4.10 | 4.10 | 4.11 |
| | 17 | TC | 47893 | 47958 | 48012 | 48076 | 50772 | 50832 | 50892 | 50953 | 53806 | 53876 | 53946 | 54006 | 57050 | 57112 | 57183 | 57254 |
| | | S/T | 0.53 | 0.62 | 0.70 | 0.80 | 0.56 | 0.66 | 0.75 | 0.85 | 0.59 | 0.69 | 0.79 | 0.90 | 0.63 | 0.74 | 0.84 | 0.95 |
| | | PI | 3.46 | 3.47 | 3.47 | 3.47 | 3.67 | 3.67 | 3.68 | 3.68 | 3.89 | 3.89 | 3.90 | 3.90 | 4.12 | 4.13 | 4.13 | 4.14 |
| | 23 | TC | 47675 | 47739 | 47792 | 47857 | 50540 | 50600 | 50660 | 50720 | 53560 | 53630 | 53700 | 53760 | 56789 | 56851 | 56922 | 56992 |
| | | S/T | 0.53 | 0.62 | 0.70 | 0.80 | 0.56 | 0.66 | 0.75 | 0.85 | 0.59 | 0.70 | 0.79 | 0.90 | 0.63 | 0.74 | 0.84 | 0.96 |
| | | PI | 3.48 | 3.48 | 3.49 | 3.49 | 3.69 | 3.69 | 3.69 | 3.70 | 3.91 | 3.91 | 3.92 | 3.92 | 4.14 | 4.15 | 4.15 | 4.16 |
| | 32 | TC | 47347 | 47410 | 47464 | 47528 | 50192 | 50252 | 50311 | 50371 | 53192 | 53261 | 53330 | 53390 | 56398 | 56460 | 56530 | 56600 |
| | | S/T | 0.53 | 0.62 | 0.71 | 0.81 | 0.56 | 0.66 | 0.75 | 0.86 | 0.60 | 0.70 | 0.80 | 0.91 | 0.63 | 0.74 | 0.84 | 0.96 |
| | | PI | 3.50 | 3.51 | 3.51 | 3.51 | 3.71 | 3.72 | 3.72 | 3.72 | 3.93 | 3.94 | 3.94 | 3.95 | 4.17 | 4.18 | 4.18 | 4.19 |
| | 41 | TC | 46909 | 46972 | 47025 | 47089 | 49729 | 49788 | 49847 | 49906 | 52700 | 52769 | 52837 | 52896 | 55877 | 55938 | 56008 | 56077 |
| | | S/T | 0.53 | 0.63 | 0.71 | 0.81 | 0.57 | 0.66 | 0.75 | 0.86 | 0.60 | 0.70 | 0.80 | 0.91 | 0.64 | 0.75 | 0.85 | 0.97 |
| | | PI | 3.53 | 3.54 | 3.54 | 3.55 | 3.75 | 3.75 | 3.75 | 3.76 | 3.97 | 3.97 | 3.98 | 3.98 | 4.21 | 4.21 | 4.22 | 4.22 |
| | 47 | TC | 46581 | 46644 | 46696 | 46759 | 49381 | 49439 | 49498 | 49557 | 52332 | 52400 | 52468 | 52527 | 55487 | 55547 | 55616 | 55685 |
| | | S/T | 0.54 | 0.63 | 0.71 | 0.81 | 0.57 | 0.67 | 0.76 | 0.86 | 0.60 | 0.71 | 0.80 | 0.91 | 0.64 | 0.75 | 0.85 | 0.97 |
| | | PI | 3.56 | 3.56 | 3.57 | 3.57 | 3.77 | 3.78 | 3.78 | 3.78 | 4.00 | 4.00 | 4.01 | 4.01 | 4.24 | 4.24 | 4.25 | 4.25 |
| | 50 | TC | 46542 | 46604 | 46657 | 46720 | 49339 | 49397 | 49456 | 49515 | 52287 | 52355 | 52423 | 52482 | 55439 | 55500 | 55569 | 55638 |
| | | S/T | 0.54 | 0.63 | 0.72 | 0.82 | 0.57 | 0.67 | 0.76 | 0.86 | 0.60 | 0.71 | 0.80 | 0.92 | 0.64 | 0.75 | 0.85 | 0.97 |
| | | PI | 3.57 | 3.57 | 3.57 | 3.58 | 3.78 | 3.78 | 3.79 | 3.79 | 4.01 | 4.01 | 4.02 | 4.02 | 4.25 | 4.25 | 4.26 | 4.26 |
| | 59 | TC | 46423 | 46485 | 46538 | 46600 | 49213 | 49271 | 49330 | 49388 | 52154 | 52222 | 52290 | 52348 | 55298 | 55358 | 55427 | 55496 |
| | | S/T | 0.54 | 0.63 | 0.72 | 0.82 | 0.57 | 0.67 | 0.76 | 0.87 | 0.61 | 0.71 | 0.81 | 0.92 | 0.64 | 0.75 | 0.86 | 0.98 |
| | | PI | 3.59 | 3.60 | 3.60 | 3.61 | 3.81 | 3.81 | 3.82 | 3.82 | 4.04 | 4.04 | 4.05 | 4.05 | 4.28 | 4.28 | 4.29 | 4.29 |
| | 68 | TC | 46304 | 46366 | 46418 | 46481 | 49087 | 49145 | 49204 | 49262 | 52020 | 52088 | 52156 | 52214 | 55156 | 55216 | 55285 | 55354 |
| | | S/T | 0.54 | 0.64 | 0.72 | 0.82 | 0.57 | 0.67 | 0.77 | 0.87 | 0.61 | 0.71 | 0.81 | 0.93 | 0.65 | 0.76 | 0.86 | 0.98 |
| | | PI | 3.62 | 3.62 | 3.63 | 3.63 | 3.84 | 3.84 | 3.84 | 3.85 | 4.07 | 4.07 | 4.08 | 4.08 | 4.31 | 4.31 | 4.32 | 4.33 |
| | 77 | TC | 46185 | 46248 | 46299 | 46362 | 48961 | 49019 | 49077 | 49136 | 51887 | 51954 | 52022 | 52080 | 55015 | 55075 | 55143 | 55212 |
| | | S/T | 0.56 | 0.65 | 0.74 | 0.85 | 0.59 | 0.69 | 0.79 | 0.90 | 0.63 | 0.73 | 0.83 | 0.95 | 0.66 | 0.78 | 0.88 | 1.01 |
| | | PI | 3.64 | 3.65 | 3.65 | 3.66 | 3.86 | 3.87 | 3.87 | 3.88 | 4.09 | 4.10 | 4.11 | 4.11 | 4.34 | 4.35 | 4.35 | 4.36 |
| | 86 | TC | 39979 | 40033 | 40078 | 40132 | 42382 | 42432 | 42483 | 42533 | 44915 | 44973 | 45032 | 45082 | 47622 | 47674 | 47734 | 47793 |
| | | S/T | 0.56 | 0.66 | 0.75 | 0.86 | 0.60 | 0.70 | 0.80 | 0.91 | 0.63 | 0.74 | 0.84 | 0.96 | 0.67 | 0.79 | 0.90 | 1.02 |
| | | PI | 3.95 | 3.95 | 3.96 | 3.96 | 4.19 | 4.19 | 4.20 | 4.20 | 4.44 | 4.44 | 4.45 | 4.45 | 4.70 | 4.71 | 4.71 | 4.72 |
| | 95 | TC | 38456 | 38508 | 38551 | 38603 | 40767 | 40815 | 40864 | 40912 | 43203 | 43259 | 43316 | 43364 | 45808 | 45858 | 45915 | 45972 |
| | | S/T | 0.58 | 0.68 | 0.77 | 0.88 | 0.61 | 0.72 | 0.82 | 0.93 | 0.65 | 0.76 | 0.87 | 0.99 | 0.69 | 0.81 | 0.92 | 1.05 |
| | | PI | 4.04 | 4.04 | 4.05 | 4.05 | 4.28 | 4.29 | 4.29 | 4.30 | 4.54 | 4.54 | 4.55 | 4.55 | 4.81 | 4.82 | 4.82 | 4.83 |
| | 104 | TC | 33283 | 33328 | 33365 | 33410 | 35283 | 35325 | 35367 | 35409 | 37392 | 37440 | 37489 | 37531 | 39646 | 39689 | 39739 | 39788 |
| | | S/T | 0.61 | 0.71 | 0.81 | 0.92 | 0.64 | 0.76 | 0.86 | 0.98 | 0.68 | 0.80 | 0.91 | 1.04 | 0.72 | 0.85 | 0.96 | 1.10 |
| | | PI | 8.69 | 8.70 | 8.71 | 8.72 | 9.21 | 9.22 | 9.23 | 9.25 | 9.76 | 9.78 | 9.79 | 9.80 | 10.35 | 10.36 | 10.38 | 10.39 |
| | 114.8 | TC | 27076 | 27112 | 27143 | 27179 | 28703 | 28737 | 28771 | 28805 | 30418 | 30458 | 30497 | 30531 | 32252 | 32287 | 32327 | 32368 |
| | | S/T | 0.61 | 0.72 | 0.82 | 0.93 | 0.65 | 0.76 | 0.87 | 0.99 | 0.69 | 0.81 | 0.92 | 1.05 | 0.73 | 0.86 | 0.98 | 1.11 |
| | | PI | 14.27 | 14.29 | 14.31 | 14.33 | 15.13 | 15.15 | 15.17 | 15.18 | 16.03 | 16.06 | 16.08 | 16.09 | 17.00 | 17.02 | 17.04 | 17.06 |
| | 122 | TC | 22938 | 22968 | 22994 | 23025 | 24316 | 24345 | 24374 | 24403 | 25769 | 25803 | 25836 | 25865 | 27323 | 27352 | 27386 | 27421 |
| | | S/T | 0.64 | 0.75 | 0.85 | 0.97 | 0.67 | 0.79 | 0.90 | 1.02 | 0.71 | 0.84 | 0.95 | 1.09 | 0.76 | 0.89 | 1.01 | 1.15 |
| | | PI | 17.99 | 18.02 | 18.04 | 18.06 | 19.08 | 19.10 | 19.12 | 19.14 | 20.22 | 20.24 | 20.27 | 20.29 | 21.43 | 21.46 | 21.48 | 21.51 |

NOTE: Data highlighted in gray is extrapolated data and not actual test data. At 77°F outdoor conditions sweat protection activates causing a decrease in total capacity.

LEGEND

- TC - Total Net Capacity (Btu/hour)
- S/T: Sensible Cooling Capacity Ratio
- PI: Power Input (kW)
- Extrapolated Data

COOLING PERFORMANCE NON-DUCTED

COOLING PERFORMANCE 36HH (HIGHT HEAT)

NON-DUCTED COOLING PERFORMANCE 36HH (Sheet 1 of 4)

| AIRFLOW (CFM) | OUTDOOR DB (°F) | ID WB (°F) ID DB (°F) | 60.8 | | | | 64.4 | | | | 66.2 | | | | 71.6 | | | |
|---------------|-----------------|--------------------------|-------|-------|-------|-------|-------|-------|-------|-------|-------|-------|-------|-------|-------|-------|-------|-------|
| | | | 73.4 | 77.0 | 80.6 | 84.2 | 73.4 | 77.0 | 80.6 | 84.2 | 73.4 | 77.0 | 80.0 | 84.20 | 73.4 | 77.0 | 80.6 | 84.2 |
| 656 | -22 | TC | 24784 | 24818 | 24846 | 24879 | 26274 | 26305 | 26336 | 26368 | 27844 | 27880 | 27916 | 27948 | 29523 | 29555 | 29591 | 29628 |
| | | S/T | 0.22 | 0.25 | 0.29 | 0.33 | 0.23 | 0.27 | 0.31 | 0.35 | 0.24 | 0.28 | 0.32 | 0.37 | 0.26 | 0.30 | 0.34 | 0.39 |
| | | PI | 1.28 | 1.28 | 1.28 | 1.28 | 1.35 | 1.35 | 1.36 | 1.36 | 1.43 | 1.44 | 1.44 | 1.44 | 1.52 | 1.52 | 1.52 | 1.53 |
| | -10 | TC | 24468 | 24501 | 24528 | 24561 | 25938 | 25969 | 26000 | 26031 | 27488 | 27524 | 27560 | 27590 | 29145 | 29177 | 29213 | 29250 |
| | | S/T | 0.22 | 0.26 | 0.29 | 0.33 | 0.23 | 0.27 | 0.31 | 0.35 | 0.24 | 0.29 | 0.33 | 0.37 | 0.26 | 0.30 | 0.35 | 0.39 |
| | | PI | 1.36 | 1.36 | 1.36 | 1.36 | 1.44 | 1.44 | 1.44 | 1.44 | 1.52 | 1.53 | 1.53 | 1.53 | 1.62 | 1.62 | 1.62 | 1.62 |
| | 0 | TC | 24204 | 24236 | 24263 | 24296 | 25658 | 25689 | 25719 | 25750 | 27192 | 27227 | 27262 | 27293 | 28831 | 28862 | 28898 | 28934 |
| | | S/T | 0.22 | 0.26 | 0.29 | 0.33 | 0.23 | 0.27 | 0.31 | 0.35 | 0.25 | 0.29 | 0.33 | 0.37 | 0.26 | 0.31 | 0.35 | 0.40 |
| | | PI | 1.42 | 1.43 | 1.43 | 1.43 | 1.51 | 1.51 | 1.51 | 1.52 | 1.60 | 1.60 | 1.60 | 1.61 | 1.70 | 1.70 | 1.70 | 1.70 |
| | 5 | TC | 24072 | 24104 | 24131 | 24164 | 25518 | 25549 | 25579 | 25609 | 27043 | 27079 | 27114 | 27144 | 28674 | 28705 | 28741 | 28776 |
| | | S/T | 0.22 | 0.26 | 0.29 | 0.33 | 0.23 | 0.27 | 0.31 | 0.35 | 0.25 | 0.29 | 0.33 | 0.37 | 0.26 | 0.31 | 0.35 | 0.40 |
| | | PI | 1.46 | 1.46 | 1.46 | 1.46 | 1.55 | 1.55 | 1.55 | 1.55 | 1.64 | 1.64 | 1.64 | 1.64 | 1.74 | 1.74 | 1.74 | 1.74 |
| | 14 | TC | 23834 | 23866 | 23893 | 23925 | 25267 | 25297 | 25327 | 25357 | 26777 | 26811 | 26846 | 26876 | 28391 | 28422 | 28457 | 28492 |
| | | S/T | 0.22 | 0.26 | 0.29 | 0.34 | 0.23 | 0.27 | 0.31 | 0.36 | 0.25 | 0.29 | 0.33 | 0.38 | 0.26 | 0.31 | 0.35 | 0.40 |
| | | PI | 1.52 | 1.52 | 1.52 | 1.53 | 1.61 | 1.61 | 1.61 | 1.62 | 1.71 | 1.71 | 1.71 | 1.71 | 1.81 | 1.81 | 1.81 | 1.82 |
| | 17 | TC | 23755 | 23787 | 23814 | 23846 | 25183 | 25213 | 25242 | 25272 | 26688 | 26722 | 26757 | 26787 | 28296 | 28327 | 28362 | 28398 |
| | | S/T | 0.22 | 0.26 | 0.29 | 0.34 | 0.23 | 0.27 | 0.31 | 0.36 | 0.25 | 0.29 | 0.33 | 0.38 | 0.26 | 0.31 | 0.35 | 0.40 |
| | | PI | 1.54 | 1.54 | 1.54 | 1.55 | 1.63 | 1.63 | 1.64 | 1.64 | 1.73 | 1.73 | 1.73 | 1.74 | 1.83 | 1.84 | 1.84 | 1.84 |
| | 23 | TC | 23597 | 23628 | 23655 | 23687 | 25015 | 25044 | 25074 | 25104 | 26510 | 26544 | 26579 | 26608 | 28108 | 28138 | 28173 | 28208 |
| | | S/T | 0.22 | 0.26 | 0.30 | 0.34 | 0.24 | 0.28 | 0.31 | 0.36 | 0.25 | 0.29 | 0.33 | 0.38 | 0.26 | 0.31 | 0.35 | 0.40 |
| | | PI | 1.57 | 1.57 | 1.57 | 1.57 | 1.66 | 1.66 | 1.66 | 1.67 | 1.76 | 1.76 | 1.76 | 1.77 | 1.87 | 1.87 | 1.87 | 1.87 |
| | 32 | TC | 23359 | 23390 | 23417 | 23448 | 24763 | 24792 | 24822 | 24851 | 26243 | 26277 | 26311 | 26340 | 27825 | 27855 | 27890 | 27924 |
| | | S/T | 0.22 | 0.26 | 0.30 | 0.34 | 0.24 | 0.28 | 0.31 | 0.36 | 0.25 | 0.29 | 0.33 | 0.38 | 0.27 | 0.31 | 0.35 | 0.40 |
| | | PI | 1.61 | 1.61 | 1.61 | 1.61 | 1.70 | 1.71 | 1.71 | 1.71 | 1.81 | 1.81 | 1.81 | 1.81 | 1.91 | 1.92 | 1.92 | 1.92 |
| | 41 | TC | 23121 | 23153 | 23179 | 23210 | 24511 | 24540 | 24569 | 24598 | 25976 | 26010 | 26043 | 26073 | 27542 | 27572 | 27606 | 27640 |
| | | S/T | 0.22 | 0.26 | 0.30 | 0.34 | 0.24 | 0.28 | 0.32 | 0.36 | 0.25 | 0.30 | 0.34 | 0.38 | 0.27 | 0.31 | 0.36 | 0.41 |
| | | PI | 1.63 | 1.63 | 1.63 | 1.64 | 1.73 | 1.73 | 1.73 | 1.73 | 1.83 | 1.83 | 1.84 | 1.84 | 1.94 | 1.94 | 1.95 | 1.95 |
| | 47 | TC | 22963 | 22994 | 23020 | 23051 | 24343 | 24372 | 24401 | 24430 | 25798 | 25831 | 25865 | 25894 | 27353 | 27383 | 27417 | 27451 |
| | | S/T | 0.22 | 0.26 | 0.30 | 0.34 | 0.24 | 0.28 | 0.32 | 0.36 | 0.25 | 0.30 | 0.34 | 0.38 | 0.27 | 0.31 | 0.36 | 0.41 |
| | | PI | 1.64 | 1.64 | 1.64 | 1.65 | 1.74 | 1.74 | 1.74 | 1.75 | 1.84 | 1.85 | 1.85 | 1.85 | 1.95 | 1.96 | 1.96 | 1.96 |
| | 50 | TC | 22901 | 22932 | 22957 | 22988 | 24277 | 24306 | 24335 | 24364 | 25728 | 25761 | 25795 | 25824 | 27279 | 27309 | 27343 | 27377 |
| | | S/T | 0.23 | 0.26 | 0.30 | 0.34 | 0.24 | 0.28 | 0.32 | 0.36 | 0.25 | 0.30 | 0.34 | 0.38 | 0.27 | 0.31 | 0.36 | 0.41 |
| | | PI | 1.64 | 1.64 | 1.65 | 1.65 | 1.74 | 1.74 | 1.75 | 1.75 | 1.85 | 1.85 | 1.85 | 1.85 | 1.96 | 1.96 | 1.96 | 1.96 |
| | 59 | TC | 22714 | 22745 | 22770 | 22801 | 24079 | 24108 | 24137 | 24165 | 25518 | 25551 | 25585 | 25613 | 27057 | 27086 | 27120 | 27154 |
| | | S/T | 0.23 | 0.27 | 0.30 | 0.34 | 0.24 | 0.28 | 0.32 | 0.36 | 0.25 | 0.30 | 0.34 | 0.39 | 0.27 | 0.32 | 0.36 | 0.41 |
| | | PI | 1.65 | 1.65 | 1.65 | 1.65 | 1.75 | 1.75 | 1.75 | 1.75 | 1.85 | 1.85 | 1.86 | 1.86 | 1.96 | 1.97 | 1.97 | 1.97 |
| | 68 | TC | 22528 | 22558 | 22583 | 22614 | 23882 | 23910 | 23938 | 23967 | 25309 | 25341 | 25374 | 25403 | 26834 | 26863 | 26897 | 26930 |
| | | S/T | 0.23 | 0.27 | 0.30 | 0.35 | 0.24 | 0.28 | 0.32 | 0.37 | 0.26 | 0.30 | 0.34 | 0.39 | 0.27 | 0.32 | 0.36 | 0.41 |
| | | PI | 1.65 | 1.66 | 1.66 | 1.66 | 1.75 | 1.76 | 1.76 | 1.76 | 1.86 | 1.86 | 1.86 | 1.86 | 1.97 | 1.97 | 1.97 | 1.98 |
| | 77 | TC | 22341 | 22371 | 22396 | 22426 | 23684 | 23712 | 23740 | 23768 | 25099 | 25131 | 25164 | 25192 | 26612 | 26641 | 26674 | 26707 |
| | | S/T | 0.23 | 0.27 | 0.31 | 0.35 | 0.25 | 0.29 | 0.33 | 0.38 | 0.26 | 0.31 | 0.35 | 0.40 | 0.28 | 0.33 | 0.37 | 0.42 |
| | | PI | 1.66 | 1.66 | 1.66 | 1.67 | 1.76 | 1.76 | 1.76 | 1.77 | 1.86 | 1.87 | 1.87 | 1.87 | 1.98 | 1.98 | 1.98 | 1.98 |
| | 86 | TC | 20898 | 20926 | 20950 | 20978 | 22154 | 22180 | 22206 | 22233 | 23478 | 23508 | 23539 | 23565 | 24893 | 24920 | 24951 | 24982 |
| | | S/T | 0.24 | 0.28 | 0.32 | 0.36 | 0.25 | 0.29 | 0.33 | 0.38 | 0.27 | 0.31 | 0.35 | 0.40 | 0.28 | 0.33 | 0.38 | 0.43 |
| | | PI | 1.82 | 1.82 | 1.83 | 1.83 | 1.93 | 1.93 | 1.94 | 1.94 | 2.05 | 2.05 | 2.05 | 2.05 | 2.17 | 2.17 | 2.18 | 2.18 |
| | 95 | TC | 20421 | 20449 | 20472 | 20499 | 21649 | 21674 | 21700 | 21726 | 22942 | 22972 | 23002 | 23028 | 24325 | 24352 | 24382 | 24413 |
| | | S/T | 0.24 | 0.28 | 0.32 | 0.37 | 0.26 | 0.30 | 0.34 | 0.39 | 0.27 | 0.32 | 0.36 | 0.41 | 0.29 | 0.34 | 0.39 | 0.44 |
| | | PI | 1.86 | 1.87 | 1.87 | 1.87 | 1.98 | 1.98 | 1.98 | 1.98 | 2.09 | 2.10 | 2.10 | 2.10 | 2.22 | 2.22 | 2.23 | 2.23 |
| 104 | TC | 18051 | 18075 | 18095 | 18120 | 19136 | 19158 | 19181 | 19204 | 20279 | 20306 | 20332 | 20355 | 21502 | 21525 | 21552 | 21579 | |
| | S/T | 0.25 | 0.30 | 0.34 | 0.39 | 0.27 | 0.32 | 0.36 | 0.41 | 0.29 | 0.34 | 0.38 | 0.43 | 0.30 | 0.36 | 0.40 | 0.46 | |
| | PI | 4.15 | 4.16 | 4.16 | 4.17 | 4.40 | 4.41 | 4.41 | 4.42 | 4.67 | 4.67 | 4.68 | 4.68 | 4.95 | 4.95 | 4.96 | 4.97 | |
| 114.8 | TC | 15206 | 15227 | 15244 | 15264 | 16120 | 16139 | 16158 | 16177 | 17083 | 17106 | 17128 | 17147 | 18113 | 18133 | 18155 | 18178 | |
| | S/T | 0.26 | 0.30 | 0.34 | 0.39 | 0.27 | 0.32 | 0.36 | 0.42 | 0.29 | 0.34 | 0.39 | 0.44 | 0.31 | 0.36 | 0.41 | 0.47 | |
| | PI | 6.90 | 6.91 | 6.92 | 6.93 | 7.32 | 7.33 | 7.34 | 7.34 | 7.76 | 7.77 | 7.78 | 7.79 | 8.22 | 8.23 | 8.24 | 8.25 | |
| 122 | TC | 13310 | 13328 | 13343 | 13361 | 14110 | 14126 | 14143 | 14160 | 14953 | 14972 | 14992 | 15008 | 15854 | 15871 | 15891 | 15911 | |
| | S/T | 0.27 | 0.31 | 0.36 | 0.41 | 0.28 | 0.33 | 0.38 | 0.43 | 0.30 | 0.35 | 0.40 | 0.46 | 0.32 | 0.37 | 0.42 | 0.48 | |
| | PI | 8.74 | 8.75 | 8.76 | 8.77 | 9.26 | 9.27 | 9.28 | 9.29 | 9.82 | 9.83 | 9.84 | 9.85 | 10.41 | 10.42 | 10.43 | 10.44 | |

NON-DUCTED COOLING PERFORMANCE 36HH (Sheet 2 of 4)

| AIRFLOW (CFM) | OUTDOOR DB (°F) | ID WB (°F) ID DB (°F) | 60.8 | | | | 64.4 | | | | 66.2 | | | | 71.6 | | | |
|---------------|-----------------|--------------------------|-------|-------|-------|-------|-------|-------|-------|-------|-------|-------|-------|-------|-------|-------|-------|-------|
| | | | 73.4 | 77.0 | 80.6 | 84.2 | 73.4 | 77.0 | 80.6 | 84.2 | 73.4 | 77.0 | 80.0 | 84.20 | 73.4 | 77.0 | 80.6 | 84.2 |
| | | | TC | S/T | PI | TC | S/T | PI | TC | S/T | PI | TC | S/T | PI | TC | S/T | PI | TC |
| 854 | -22 | TC | 31946 | 31988 | 32024 | 32068 | 33866 | 33906 | 33946 | 33986 | 35889 | 35936 | 35983 | 36023 | 38053 | 38094 | 38142 | 38189 |
| | | S/T | 0.32 | 0.38 | 0.43 | 0.49 | 0.34 | 0.40 | 0.45 | 0.52 | 0.36 | 0.42 | 0.48 | 0.55 | 0.38 | 0.45 | 0.51 | 0.58 |
| | | PI | 1.88 | 1.89 | 1.89 | 1.89 | 2.00 | 2.00 | 2.00 | 2.00 | 2.12 | 2.12 | 2.12 | 2.13 | 2.24 | 2.25 | 2.25 | 2.25 |
| | -10 | TC | 31537 | 31580 | 31615 | 31658 | 33433 | 33472 | 33512 | 33552 | 35431 | 35477 | 35523 | 35562 | 37567 | 37607 | 37654 | 37701 |
| | | S/T | 0.32 | 0.38 | 0.43 | 0.49 | 0.34 | 0.40 | 0.46 | 0.52 | 0.36 | 0.43 | 0.48 | 0.55 | 0.38 | 0.45 | 0.51 | 0.58 |
| | | PI | 2.00 | 2.01 | 2.01 | 2.01 | 2.12 | 2.13 | 2.13 | 2.13 | 2.25 | 2.25 | 2.26 | 2.26 | 2.39 | 2.39 | 2.39 | 2.40 |
| | 0 | TC | 31197 | 31239 | 31274 | 31316 | 33072 | 33111 | 33151 | 33190 | 35048 | 35094 | 35140 | 35179 | 37161 | 37202 | 37248 | 37294 |
| | | S/T | 0.32 | 0.38 | 0.43 | 0.49 | 0.34 | 0.40 | 0.46 | 0.52 | 0.36 | 0.43 | 0.49 | 0.55 | 0.39 | 0.45 | 0.52 | 0.59 |
| | | PI | 2.10 | 2.11 | 2.11 | 2.11 | 2.23 | 2.23 | 2.24 | 2.24 | 2.36 | 2.37 | 2.37 | 2.37 | 2.51 | 2.51 | 2.51 | 2.52 |
| | 5 | TC | 31027 | 31069 | 31104 | 31146 | 32892 | 32931 | 32970 | 33009 | 34857 | 34903 | 34948 | 34987 | 36959 | 36999 | 37045 | 37091 |
| | | S/T | 0.33 | 0.38 | 0.43 | 0.50 | 0.35 | 0.41 | 0.46 | 0.52 | 0.37 | 0.43 | 0.49 | 0.56 | 0.39 | 0.46 | 0.52 | 0.59 |
| | | PI | 2.15 | 2.16 | 2.16 | 2.16 | 2.28 | 2.29 | 2.29 | 2.29 | 2.42 | 2.42 | 2.43 | 2.43 | 2.57 | 2.57 | 2.57 | 2.57 |
| | 14 | TC | 30721 | 30762 | 30797 | 30838 | 32567 | 32606 | 32644 | 32683 | 34513 | 34558 | 34603 | 34642 | 36594 | 36634 | 36679 | 36725 |
| | | S/T | 0.33 | 0.38 | 0.44 | 0.50 | 0.35 | 0.41 | 0.46 | 0.53 | 0.37 | 0.43 | 0.49 | 0.56 | 0.39 | 0.46 | 0.52 | 0.59 |
| | | PI | 2.24 | 2.25 | 2.25 | 2.25 | 2.38 | 2.38 | 2.38 | 2.39 | 2.52 | 2.52 | 2.53 | 2.53 | 2.67 | 2.68 | 2.68 | 2.68 |
| | 17 | TC | 30619 | 30660 | 30694 | 30736 | 32459 | 32497 | 32536 | 32575 | 34399 | 34443 | 34488 | 34527 | 36472 | 36512 | 36557 | 36603 |
| | | S/T | 0.33 | 0.38 | 0.44 | 0.50 | 0.35 | 0.41 | 0.46 | 0.53 | 0.37 | 0.43 | 0.49 | 0.56 | 0.39 | 0.46 | 0.52 | 0.59 |
| | | PI | 2.27 | 2.28 | 2.28 | 2.28 | 2.41 | 2.41 | 2.42 | 2.42 | 2.55 | 2.56 | 2.56 | 2.56 | 2.71 | 2.71 | 2.71 | 2.72 |
| | 23 | TC | 30415 | 30456 | 30490 | 30531 | 32243 | 32281 | 32319 | 32357 | 34169 | 34214 | 34258 | 34296 | 36229 | 36269 | 36314 | 36359 |
| | | S/T | 0.33 | 0.39 | 0.44 | 0.50 | 0.35 | 0.41 | 0.46 | 0.53 | 0.37 | 0.43 | 0.49 | 0.56 | 0.39 | 0.46 | 0.52 | 0.60 |
| | | PI | 2.31 | 2.32 | 2.32 | 2.32 | 2.45 | 2.46 | 2.46 | 2.46 | 2.60 | 2.60 | 2.61 | 2.61 | 2.76 | 2.76 | 2.76 | 2.77 |
| | 32 | TC | 30108 | 30149 | 30183 | 30223 | 31918 | 31956 | 31994 | 32032 | 33825 | 33869 | 33913 | 33951 | 35864 | 35903 | 35948 | 35993 |
| | | S/T | 0.33 | 0.39 | 0.44 | 0.50 | 0.35 | 0.41 | 0.47 | 0.53 | 0.37 | 0.44 | 0.50 | 0.56 | 0.39 | 0.46 | 0.53 | 0.60 |
| | | PI | 2.37 | 2.38 | 2.38 | 2.38 | 2.52 | 2.52 | 2.52 | 2.52 | 2.67 | 2.67 | 2.68 | 2.68 | 2.83 | 2.83 | 2.83 | 2.84 |
| | 41 | TC | 29802 | 29842 | 29876 | 29916 | 31593 | 31631 | 31668 | 31706 | 33481 | 33525 | 33568 | 33606 | 35500 | 35538 | 35583 | 35627 |
| | | S/T | 0.33 | 0.39 | 0.44 | 0.51 | 0.35 | 0.41 | 0.47 | 0.54 | 0.37 | 0.44 | 0.50 | 0.57 | 0.40 | 0.46 | 0.53 | 0.60 |
| | | PI | 2.41 | 2.41 | 2.41 | 2.42 | 2.55 | 2.56 | 2.56 | 2.56 | 2.71 | 2.71 | 2.71 | 2.72 | 2.87 | 2.87 | 2.88 | 2.88 |
| | 47 | TC | 29598 | 29638 | 29671 | 29711 | 31377 | 31414 | 31451 | 31489 | 33252 | 33295 | 33339 | 33376 | 35275 | 35295 | 35339 | 35383 |
| | | S/T | 0.33 | 0.39 | 0.44 | 0.51 | 0.35 | 0.41 | 0.47 | 0.54 | 0.37 | 0.44 | 0.50 | 0.57 | 0.40 | 0.47 | 0.53 | 0.60 |
| | | PI | 2.42 | 2.43 | 2.43 | 2.43 | 2.57 | 2.57 | 2.57 | 2.58 | 2.72 | 2.73 | 2.73 | 2.73 | 2.89 | 2.89 | 2.89 | 2.90 |
| | 50 | TC | 29518 | 29558 | 29591 | 29631 | 31292 | 31329 | 31366 | 31403 | 33162 | 33205 | 33248 | 33285 | 35161 | 35199 | 35243 | 35287 |
| | | S/T | 0.33 | 0.39 | 0.45 | 0.51 | 0.35 | 0.42 | 0.47 | 0.54 | 0.38 | 0.44 | 0.50 | 0.57 | 0.40 | 0.47 | 0.53 | 0.60 |
| | | PI | 2.43 | 2.43 | 2.43 | 2.43 | 2.57 | 2.57 | 2.58 | 2.58 | 2.73 | 2.73 | 2.73 | 2.74 | 2.89 | 2.89 | 2.90 | 2.90 |
| | 59 | TC | 29277 | 29317 | 29350 | 29389 | 31037 | 31074 | 31111 | 31147 | 32892 | 32934 | 32977 | 33014 | 34874 | 34912 | 34956 | 34999 |
| | | S/T | 0.34 | 0.39 | 0.45 | 0.51 | 0.36 | 0.42 | 0.47 | 0.54 | 0.38 | 0.44 | 0.50 | 0.57 | 0.40 | 0.47 | 0.53 | 0.61 |
| | | PI | 2.43 | 2.44 | 2.44 | 2.44 | 2.58 | 2.58 | 2.59 | 2.59 | 2.73 | 2.74 | 2.74 | 2.74 | 2.90 | 2.90 | 2.91 | 2.91 |
| | 68 | TC | 29037 | 29076 | 29108 | 29148 | 30782 | 30818 | 30855 | 30891 | 32621 | 32664 | 32706 | 32743 | 34588 | 34625 | 34669 | 34712 |
| | | S/T | 0.34 | 0.40 | 0.45 | 0.51 | 0.36 | 0.42 | 0.48 | 0.54 | 0.38 | 0.44 | 0.51 | 0.58 | 0.40 | 0.47 | 0.54 | 0.61 |
| | | PI | 2.44 | 2.45 | 2.45 | 2.45 | 2.59 | 2.59 | 2.59 | 2.60 | 2.74 | 2.75 | 2.75 | 2.75 | 2.91 | 2.91 | 2.92 | 2.92 |
| | 77 | TC | 28796 | 28835 | 28867 | 28906 | 30527 | 30563 | 30599 | 30635 | 32351 | 32393 | 32435 | 32471 | 34301 | 34338 | 34381 | 34424 |
| | | S/T | 0.35 | 0.41 | 0.46 | 0.53 | 0.37 | 0.43 | 0.49 | 0.56 | 0.39 | 0.46 | 0.52 | 0.59 | 0.41 | 0.48 | 0.55 | 0.63 |
| | | PI | 2.45 | 2.45 | 2.46 | 2.46 | 2.60 | 2.60 | 2.60 | 2.61 | 2.75 | 2.76 | 2.76 | 2.76 | 2.92 | 2.92 | 2.93 | 2.93 |
| | 86 | TC | 26936 | 26972 | 27003 | 27039 | 28555 | 28589 | 28623 | 28657 | 30261 | 30301 | 30340 | 30374 | 32086 | 32121 | 32161 | 32201 |
| | | S/T | 0.35 | 0.41 | 0.47 | 0.53 | 0.37 | 0.44 | 0.50 | 0.57 | 0.39 | 0.46 | 0.53 | 0.60 | 0.42 | 0.49 | 0.56 | 0.64 |
| | | PI | 2.69 | 2.69 | 2.70 | 2.70 | 2.85 | 2.86 | 2.86 | 2.86 | 3.02 | 3.03 | 3.03 | 3.03 | 3.20 | 3.21 | 3.21 | 3.22 |
| | 95 | TC | 26322 | 26357 | 26387 | 26422 | 27904 | 27937 | 27970 | 28003 | 29571 | 29610 | 29648 | 29681 | 31354 | 31388 | 31427 | 31466 |
| | | S/T | 0.36 | 0.42 | 0.48 | 0.55 | 0.38 | 0.45 | 0.51 | 0.58 | 0.40 | 0.47 | 0.54 | 0.61 | 0.43 | 0.50 | 0.57 | 0.65 |
| | | PI | 2.75 | 2.76 | 2.76 | 2.76 | 2.92 | 2.92 | 2.92 | 2.93 | 3.09 | 3.10 | 3.10 | 3.10 | 3.28 | 3.28 | 3.29 | 3.29 |
| 104 | TC | 23266 | 23298 | 23324 | 23355 | 24665 | 24694 | 24723 | 24753 | 26139 | 26173 | 26207 | 26236 | 27714 | 27745 | 27779 | 27814 | |
| | S/T | 0.38 | 0.44 | 0.50 | 0.57 | 0.40 | 0.47 | 0.53 | 0.61 | 0.42 | 0.50 | 0.57 | 0.65 | 0.45 | 0.53 | 0.60 | 0.68 | |
| | PI | 6.14 | 6.14 | 6.15 | 6.16 | 6.50 | 6.51 | 6.52 | 6.53 | 6.89 | 6.90 | 6.91 | 6.92 | 7.31 | 7.32 | 7.33 | 7.33 | |
| 114.8 | TC | 19600 | 19626 | 19648 | 19675 | 20778 | 20802 | 20827 | 20852 | 22019 | 22048 | 22077 | 22101 | 23347 | 23372 | 23401 | 23430 | |
| | S/T | 0.38 | 0.45 | 0.51 | 0.58 | 0.41 | 0.48 | 0.54 | 0.62 | 0.43 | 0.50 | 0.57 | 0.65 | 0.46 | 0.53 | 0.61 | 0.69 | |
| | PI | 10.19 | 10.21 | 10.22 | 10.23 | 10.81 | 10.82 | 10.83 | 10.85 | 11.45 | 11.47 | 11.48 | 11.50 | 12.14 | 12.16 | 12.17 | 12.19 | |
| 122 | TC | 17155 | 17178 | 17198 | 17221 | 18187 | 18208 | 18230 | 18251 | 19273 | 19298 | 19323 | 19345 | 20435 | 20457 | 20483 | 20508 | |
| | S/T | 0.40 | 0.46 | 0.53 | 0.60 | 0.42 | 0.49 | 0.56 | 0.64 | 0.44 | 0.52 | 0.59 | 0.68 | 0.47 | 0.55 | 0.63 | 0.72 | |
| | PI | 12.90 | 12.92 | 12.93 | 12.95 | 13.68 | 13.69 | 13.71 | 13.73 | 14.49 | 14.51 | 14.53 | 14.55 | 15.37 | 15.38 | 15.40 | 15.42 | |

NON-DUCTED COOLING PERFORMANCE 36HH (Sheet 3 of 4)

| AIRFLOW (CFM) | OUTDOOR DB (°F) | ID WB (°F) ID DB (°F) | 60.8 | | | | 64.4 | | | | 66.2 | | | | 71.6 | | | |
|---------------|-----------------|--------------------------|-------|-------|-------|-------|-------|-------|-------|-------|-------|-------|-------|-------|-------|-------|-------|-------|
| | | | 73.4 | 77.0 | 80.6 | 84.2 | 73.4 | 77.0 | 80.6 | 84.2 | 73.4 | 77.0 | 80.0 | 84.20 | 73.4 | 77.0 | 80.6 | 84.2 |
| 1280 | -22 | TC | 47407 | 47471 | 47524 | 47588 | 50256 | 50316 | 50375 | 50435 | 53259 | 53328 | 53398 | 53457 | 56470 | 56531 | 56602 | 56672 |
| | | S/T | 0.48 | 0.56 | 0.63 | 0.72 | 0.50 | 0.59 | 0.67 | 0.77 | 0.53 | 0.63 | 0.71 | 0.81 | 0.57 | 0.67 | 0.76 | 0.86 |
| | | PI | 2.80 | 2.80 | 2.80 | 2.81 | 2.96 | 2.97 | 2.97 | 2.98 | 3.14 | 3.15 | 3.15 | 3.15 | 3.33 | 3.33 | 3.34 | 3.34 |
| | -10 | TC | 46801 | 46864 | 46917 | 46980 | 49614 | 49673 | 49732 | 49791 | 52579 | 52647 | 52715 | 52774 | 55748 | 55809 | 55878 | 55948 |
| | | S/T | 0.48 | 0.56 | 0.64 | 0.73 | 0.51 | 0.60 | 0.68 | 0.77 | 0.54 | 0.63 | 0.72 | 0.82 | 0.57 | 0.67 | 0.76 | 0.87 |
| | | PI | 2.97 | 2.98 | 2.98 | 2.99 | 3.15 | 3.16 | 3.16 | 3.16 | 3.34 | 3.35 | 3.35 | 3.35 | 3.54 | 3.55 | 3.55 | 3.56 |
| | 0 | TC | 46296 | 46358 | 46410 | 46473 | 49079 | 49137 | 49195 | 49253 | 52011 | 52079 | 52147 | 52205 | 55147 | 55207 | 55276 | 55344 |
| | | S/T | 0.48 | 0.57 | 0.64 | 0.73 | 0.51 | 0.60 | 0.68 | 0.78 | 0.54 | 0.64 | 0.72 | 0.82 | 0.57 | 0.67 | 0.77 | 0.87 |
| | | PI | 3.12 | 3.13 | 3.13 | 3.13 | 3.31 | 3.31 | 3.32 | 3.32 | 3.51 | 3.51 | 3.52 | 3.52 | 3.72 | 3.72 | 3.73 | 3.73 |
| | 5 | TC | 46044 | 46106 | 46157 | 46220 | 48811 | 48869 | 48927 | 48985 | 51728 | 51795 | 51862 | 51920 | 54846 | 54906 | 54974 | 55043 |
| | | S/T | 0.48 | 0.57 | 0.64 | 0.73 | 0.51 | 0.60 | 0.68 | 0.78 | 0.54 | 0.64 | 0.72 | 0.83 | 0.58 | 0.68 | 0.77 | 0.88 |
| | | PI | 3.20 | 3.20 | 3.20 | 3.21 | 3.39 | 3.39 | 3.40 | 3.40 | 3.59 | 3.60 | 3.60 | 3.60 | 3.81 | 3.81 | 3.82 | 3.82 |
| | 14 | TC | 45589 | 45651 | 45702 | 45763 | 48329 | 48387 | 48444 | 48501 | 51217 | 51284 | 51351 | 51408 | 54305 | 54364 | 54432 | 54499 |
| | | S/T | 0.49 | 0.57 | 0.65 | 0.74 | 0.51 | 0.60 | 0.69 | 0.78 | 0.55 | 0.64 | 0.73 | 0.83 | 0.58 | 0.68 | 0.77 | 0.88 |
| | | PI | 3.33 | 3.33 | 3.34 | 3.34 | 3.53 | 3.53 | 3.54 | 3.54 | 3.74 | 3.75 | 3.75 | 3.75 | 3.97 | 3.97 | 3.98 | 3.98 |
| | 17 | TC | 45438 | 45499 | 45550 | 45611 | 48169 | 48226 | 48283 | 48340 | 51047 | 51114 | 51180 | 51237 | 54125 | 54183 | 54251 | 54318 |
| | | S/T | 0.49 | 0.57 | 0.65 | 0.74 | 0.52 | 0.61 | 0.69 | 0.78 | 0.55 | 0.64 | 0.73 | 0.83 | 0.58 | 0.68 | 0.77 | 0.88 |
| | | PI | 3.37 | 3.38 | 3.38 | 3.39 | 3.58 | 3.58 | 3.58 | 3.59 | 3.79 | 3.80 | 3.80 | 3.80 | 4.02 | 4.02 | 4.03 | 4.03 |
| | 23 | TC | 45135 | 45196 | 45246 | 45307 | 47848 | 47904 | 47961 | 48018 | 50707 | 50773 | 50839 | 50896 | 53764 | 53822 | 53889 | 53956 |
| | | S/T | 0.49 | 0.57 | 0.65 | 0.74 | 0.52 | 0.61 | 0.69 | 0.79 | 0.55 | 0.64 | 0.73 | 0.83 | 0.58 | 0.68 | 0.78 | 0.88 |
| | | PI | 3.43 | 3.44 | 3.44 | 3.45 | 3.64 | 3.64 | 3.65 | 3.65 | 3.86 | 3.86 | 3.87 | 3.87 | 4.09 | 4.09 | 4.10 | 4.10 |
| | 32 | TC | 44681 | 44741 | 44791 | 44851 | 47366 | 47422 | 47478 | 47535 | 50196 | 50262 | 50327 | 50383 | 53222 | 53280 | 53347 | 53413 |
| | | S/T | 0.49 | 0.58 | 0.65 | 0.75 | 0.52 | 0.61 | 0.69 | 0.79 | 0.55 | 0.65 | 0.74 | 0.84 | 0.58 | 0.69 | 0.78 | 0.89 |
| | | PI | 3.52 | 3.53 | 3.53 | 3.54 | 3.73 | 3.74 | 3.74 | 3.75 | 3.96 | 3.96 | 3.97 | 3.97 | 4.19 | 4.20 | 4.20 | 4.21 |
| | 41 | TC | 44226 | 44286 | 44335 | 44395 | 46884 | 46940 | 46995 | 47051 | 49686 | 49750 | 49815 | 49871 | 52681 | 52739 | 52804 | 52870 |
| | | S/T | 0.49 | 0.58 | 0.66 | 0.75 | 0.52 | 0.61 | 0.70 | 0.79 | 0.55 | 0.65 | 0.74 | 0.84 | 0.59 | 0.69 | 0.78 | 0.89 |
| | | PI | 3.57 | 3.58 | 3.58 | 3.59 | 3.79 | 3.79 | 3.80 | 3.80 | 4.01 | 4.02 | 4.03 | 4.03 | 4.26 | 4.26 | 4.27 | 4.27 |
| | 47 | TC | 43923 | 43982 | 44032 | 44091 | 46563 | 46618 | 46674 | 46729 | 49346 | 49410 | 49474 | 49529 | 52320 | 52377 | 52442 | 52508 |
| | | S/T | 0.49 | 0.58 | 0.66 | 0.75 | 0.52 | 0.61 | 0.70 | 0.80 | 0.56 | 0.65 | 0.74 | 0.84 | 0.59 | 0.69 | 0.78 | 0.89 |
| | | PI | 3.60 | 3.60 | 3.60 | 3.61 | 3.81 | 3.82 | 3.82 | 3.83 | 4.04 | 4.04 | 4.05 | 4.05 | 4.28 | 4.29 | 4.29 | 4.30 |
| | 50 | TC | 43804 | 43863 | 43912 | 43972 | 46437 | 46492 | 46547 | 46602 | 49212 | 49276 | 49340 | 49395 | 52179 | 52235 | 52300 | 52365 |
| | | S/T | 0.50 | 0.58 | 0.66 | 0.75 | 0.53 | 0.62 | 0.70 | 0.80 | 0.56 | 0.65 | 0.74 | 0.85 | 0.59 | 0.69 | 0.79 | 0.90 |
| | | PI | 3.60 | 3.60 | 3.61 | 3.61 | 3.82 | 3.82 | 3.83 | 3.83 | 4.04 | 4.05 | 4.05 | 4.06 | 4.29 | 4.29 | 4.30 | 4.30 |
| | 59 | TC | 43447 | 43506 | 43554 | 43613 | 46058 | 46113 | 46168 | 46222 | 48811 | 48874 | 48938 | 48992 | 51753 | 51810 | 51874 | 51939 |
| | | S/T | 0.50 | 0.58 | 0.66 | 0.76 | 0.53 | 0.62 | 0.70 | 0.80 | 0.56 | 0.66 | 0.75 | 0.85 | 0.59 | 0.70 | 0.79 | 0.90 |
| | | PI | 3.61 | 3.62 | 3.62 | 3.63 | 3.83 | 3.83 | 3.84 | 3.84 | 4.06 | 4.06 | 4.07 | 4.07 | 4.30 | 4.31 | 4.31 | 4.32 |
| | 68 | TC | 43090 | 43148 | 43196 | 43255 | 45680 | 45734 | 45788 | 45843 | 48410 | 48473 | 48536 | 48590 | 51328 | 51384 | 51448 | 51512 |
| | | S/T | 0.50 | 0.59 | 0.67 | 0.76 | 0.53 | 0.62 | 0.71 | 0.81 | 0.56 | 0.66 | 0.75 | 0.86 | 0.60 | 0.70 | 0.80 | 0.91 |
| | | PI | 3.62 | 3.63 | 3.63 | 3.64 | 3.84 | 3.85 | 3.85 | 3.86 | 4.07 | 4.08 | 4.08 | 4.09 | 4.32 | 4.32 | 4.33 | 4.33 |
| | 77 | TC | 42733 | 42790 | 42839 | 42896 | 45301 | 45355 | 45409 | 45463 | 48008 | 48071 | 48133 | 48187 | 50903 | 50958 | 51021 | 51085 |
| | | S/T | 0.51 | 0.60 | 0.69 | 0.78 | 0.54 | 0.64 | 0.73 | 0.83 | 0.58 | 0.68 | 0.77 | 0.88 | 0.61 | 0.72 | 0.82 | 0.93 |
| | | PI | 3.64 | 3.64 | 3.64 | 3.65 | 3.85 | 3.86 | 3.86 | 3.87 | 4.08 | 4.09 | 4.10 | 4.10 | 4.33 | 4.34 | 4.34 | 4.35 |
| | 86 | TC | 39973 | 40027 | 40072 | 40126 | 42376 | 42426 | 42476 | 42526 | 44908 | 44966 | 45025 | 45075 | 47615 | 47667 | 47726 | 47785 |
| | | S/T | 0.52 | 0.61 | 0.69 | 0.79 | 0.55 | 0.65 | 0.74 | 0.84 | 0.59 | 0.69 | 0.78 | 0.89 | 0.62 | 0.73 | 0.83 | 0.94 |
| | | PI | 3.99 | 4.00 | 4.00 | 4.01 | 4.23 | 4.24 | 4.24 | 4.25 | 4.49 | 4.49 | 4.50 | 4.50 | 4.76 | 4.76 | 4.77 | 4.77 |
| | 95 | TC | 39061 | 39114 | 39158 | 39211 | 41409 | 41458 | 41507 | 41557 | 43884 | 43941 | 43998 | 44047 | 46529 | 46580 | 46638 | 46696 |
| | | S/T | 0.53 | 0.63 | 0.71 | 0.81 | 0.57 | 0.66 | 0.75 | 0.86 | 0.60 | 0.70 | 0.80 | 0.91 | 0.64 | 0.75 | 0.85 | 0.97 |
| | | PI | 4.08 | 4.09 | 4.09 | 4.10 | 4.33 | 4.33 | 4.34 | 4.34 | 4.59 | 4.59 | 4.60 | 4.61 | 4.86 | 4.87 | 4.88 | 4.88 |
| 104 | TC | 34527 | 34574 | 34612 | 34659 | 36602 | 36646 | 36689 | 36733 | 38790 | 38840 | 38890 | 38934 | 41128 | 41173 | 41224 | 41275 | |
| | S/T | 0.56 | 0.66 | 0.75 | 0.85 | 0.59 | 0.70 | 0.79 | 0.90 | 0.63 | 0.74 | 0.84 | 0.96 | 0.67 | 0.78 | 0.89 | 1.02 | |
| | PI | 9.10 | 9.12 | 9.13 | 9.14 | 9.65 | 9.66 | 9.67 | 9.69 | 10.23 | 10.24 | 10.26 | 10.27 | 10.85 | 10.86 | 10.87 | 10.88 | |
| 114.8 | TC | 29086 | 29125 | 29158 | 29197 | 30834 | 30871 | 30907 | 30944 | 32677 | 32719 | 32762 | 32798 | 34646 | 34684 | 34727 | 34771 | |
| | S/T | 0.57 | 0.67 | 0.76 | 0.86 | 0.60 | 0.71 | 0.80 | 0.91 | 0.64 | 0.75 | 0.85 | 0.97 | 0.68 | 0.79 | 0.90 | 1.03 | |
| | PI | 15.13 | 15.15 | 15.17 | 15.19 | 16.04 | 16.06 | 16.08 | 16.10 | 17.00 | 17.02 | 17.04 | 17.06 | 18.02 | 18.04 | 18.06 | 18.09 | |
| 122 | TC | 25458 | 25493 | 25521 | 25556 | 26989 | 27021 | 27053 | 27085 | 28601 | 28638 | 28676 | 28708 | 30326 | 30359 | 30396 | 30434 | |
| | S/T | 0.59 | 0.69 | 0.78 | 0.89 | 0.62 | 0.73 | 0.83 | 0.95 | 0.66 | 0.77 | 0.88 | 1.00 | 0.70 | 0.82 | 0.93 | 1.06 | |
| | PI | 19.15 | 19.17 | 19.19 | 19.22 | 20.30 | 20.32 | 20.34 | 20.37 | 21.51 | 21.54 | 21.57 | 21.59 | 22.81 | 22.83 | 22.86 | 22.89 | |

NON-DUCTED COOLING PERFORMANCE 36HH (Sheet 4 of 4)

| AIRFLOW (CFM) | OUTDOOR DB (°F) | ID WB (°F) ID DB (°F) | 60.8 | | | | 64.4 | | | | 66.2 | | | | 71.6 | | | |
|---------------|-----------------|--------------------------|-------|-------|-------|-------|-------|-------|-------|-------|-------|-------|-------|-------|-------|-------|-------|-------|
| | | | 73.4 | 77.0 | 80.6 | 84.2 | 73.4 | 77.0 | 80.6 | 84.2 | 73.4 | 77.0 | 80.0 | 84.20 | 73.4 | 77.0 | 80.6 | 84.2 |
| 1400 | -22 | TC | 51338 | 51407 | 51465 | 51534 | 54423 | 54488 | 54552 | 54617 | 57676 | 57750 | 57826 | 57890 | 61152 | 61219 | 61295 | 61371 |
| | | S/T | 0.52 | 0.60 | 0.69 | 0.78 | 0.55 | 0.64 | 0.73 | 0.83 | 0.58 | 0.68 | 0.77 | 0.88 | 0.61 | 0.72 | 0.82 | 0.93 |
| | | PI | 3.03 | 3.03 | 3.04 | 3.04 | 3.21 | 3.21 | 3.22 | 3.22 | 3.40 | 3.41 | 3.41 | 3.42 | 3.61 | 3.61 | 3.62 | 3.62 |
| | -10 | TC | 50682 | 50750 | 50807 | 50875 | 53728 | 53792 | 53855 | 53919 | 56938 | 57012 | 57087 | 57150 | 60371 | 60437 | 60512 | 60587 |
| | | S/T | 0.52 | 0.61 | 0.69 | 0.79 | 0.55 | 0.65 | 0.73 | 0.84 | 0.58 | 0.68 | 0.78 | 0.89 | 0.62 | 0.73 | 0.82 | 0.94 |
| | | PI | 3.22 | 3.23 | 3.23 | 3.23 | 3.41 | 3.42 | 3.42 | 3.43 | 3.62 | 3.62 | 3.63 | 3.63 | 3.84 | 3.84 | 3.85 | 3.85 |
| | 0 | TC | 50135 | 50202 | 50259 | 50327 | 53148 | 53211 | 53274 | 53338 | 56324 | 56397 | 56471 | 56534 | 59720 | 59785 | 59859 | 59934 |
| | | S/T | 0.52 | 0.61 | 0.70 | 0.79 | 0.55 | 0.65 | 0.74 | 0.84 | 0.59 | 0.69 | 0.78 | 0.89 | 0.62 | 0.73 | 0.83 | 0.94 |
| | | PI | 3.38 | 3.39 | 3.39 | 3.39 | 3.58 | 3.59 | 3.59 | 3.60 | 3.80 | 3.80 | 3.81 | 3.81 | 4.03 | 4.03 | 4.04 | 4.04 |
| | 5 | TC | 49862 | 49929 | 49985 | 50052 | 52859 | 52921 | 52984 | 53047 | 56017 | 56090 | 56163 | 56226 | 59394 | 59459 | 59533 | 59607 |
| | | S/T | 0.52 | 0.61 | 0.70 | 0.80 | 0.55 | 0.65 | 0.74 | 0.84 | 0.59 | 0.69 | 0.78 | 0.89 | 0.62 | 0.73 | 0.83 | 0.95 |
| | | PI | 3.46 | 3.47 | 3.47 | 3.47 | 3.67 | 3.67 | 3.68 | 3.68 | 3.89 | 3.89 | 3.90 | 3.90 | 4.12 | 4.13 | 4.13 | 4.14 |
| | 14 | TC | 49370 | 49436 | 49491 | 49558 | 52337 | 52399 | 52461 | 52523 | 55464 | 55536 | 55609 | 55671 | 58808 | 58872 | 58945 | 59019 |
| | | S/T | 0.53 | 0.62 | 0.70 | 0.80 | 0.56 | 0.65 | 0.74 | 0.85 | 0.59 | 0.69 | 0.79 | 0.90 | 0.63 | 0.74 | 0.84 | 0.95 |
| | | PI | 3.61 | 3.61 | 3.61 | 3.62 | 3.82 | 3.83 | 3.83 | 3.84 | 4.05 | 4.06 | 4.06 | 4.07 | 4.29 | 4.30 | 4.30 | 4.31 |
| | 17 | TC | 49206 | 49272 | 49327 | 49394 | 52163 | 52225 | 52287 | 52349 | 55280 | 55352 | 55424 | 55486 | 58613 | 58676 | 58749 | 58822 |
| | | S/T | 0.53 | 0.62 | 0.70 | 0.80 | 0.56 | 0.66 | 0.75 | 0.85 | 0.59 | 0.69 | 0.79 | 0.90 | 0.63 | 0.74 | 0.84 | 0.95 |
| | | PI | 3.65 | 3.66 | 3.66 | 3.67 | 3.87 | 3.88 | 3.88 | 3.89 | 4.10 | 4.11 | 4.12 | 4.12 | 4.35 | 4.36 | 4.36 | 4.37 |
| | 23 | TC | 48878 | 48943 | 48998 | 49064 | 51815 | 51877 | 51938 | 52000 | 54912 | 54983 | 55054 | 55116 | 58222 | 58285 | 58358 | 58430 |
| | | S/T | 0.53 | 0.62 | 0.70 | 0.80 | 0.56 | 0.66 | 0.75 | 0.85 | 0.59 | 0.70 | 0.79 | 0.90 | 0.63 | 0.74 | 0.84 | 0.96 |
| | | PI | 3.72 | 3.72 | 3.73 | 3.73 | 3.94 | 3.95 | 3.95 | 3.95 | 4.18 | 4.18 | 4.19 | 4.19 | 4.43 | 4.43 | 4.44 | 4.44 |
| | 32 | TC | 48386 | 48451 | 48505 | 48570 | 51294 | 51354 | 51415 | 51476 | 54359 | 54429 | 54500 | 54561 | 57636 | 57698 | 57770 | 57842 |
| | | S/T | 0.53 | 0.62 | 0.71 | 0.81 | 0.56 | 0.66 | 0.75 | 0.86 | 0.60 | 0.70 | 0.80 | 0.91 | 0.63 | 0.74 | 0.84 | 0.96 |
| | | PI | 3.81 | 3.82 | 3.82 | 3.83 | 4.04 | 4.05 | 4.05 | 4.06 | 4.28 | 4.29 | 4.30 | 4.30 | 4.54 | 4.55 | 4.55 | 4.56 |
| | 41 | TC | 47893 | 47958 | 48012 | 48076 | 50772 | 50832 | 50892 | 50953 | 53806 | 53876 | 53946 | 54006 | 57050 | 57112 | 57183 | 57254 |
| | | S/T | 0.53 | 0.63 | 0.71 | 0.81 | 0.57 | 0.66 | 0.75 | 0.86 | 0.60 | 0.70 | 0.80 | 0.91 | 0.64 | 0.75 | 0.85 | 0.97 |
| | | PI | 3.87 | 3.87 | 3.88 | 3.88 | 4.10 | 4.11 | 4.11 | 4.12 | 4.35 | 4.35 | 4.36 | 4.36 | 4.61 | 4.61 | 4.62 | 4.63 |
| | 47 | TC | 47565 | 47629 | 47683 | 47747 | 50424 | 50484 | 50544 | 50604 | 53437 | 53507 | 53576 | 53636 | 56659 | 56720 | 56791 | 56862 |
| | | S/T | 0.54 | 0.63 | 0.71 | 0.81 | 0.57 | 0.67 | 0.76 | 0.86 | 0.60 | 0.71 | 0.80 | 0.91 | 0.64 | 0.75 | 0.85 | 0.97 |
| | | PI | 3.89 | 3.90 | 3.90 | 3.91 | 4.13 | 4.13 | 4.14 | 4.14 | 4.37 | 4.38 | 4.39 | 4.39 | 4.64 | 4.64 | 4.65 | 4.65 |
| | 50 | TC | 47437 | 47500 | 47554 | 47618 | 50288 | 50347 | 50407 | 50467 | 53293 | 53362 | 53431 | 53491 | 56505 | 56567 | 56637 | 56708 |
| | | S/T | 0.54 | 0.63 | 0.72 | 0.82 | 0.57 | 0.67 | 0.76 | 0.86 | 0.60 | 0.71 | 0.80 | 0.92 | 0.64 | 0.75 | 0.85 | 0.97 |
| | | PI | 3.90 | 3.90 | 3.91 | 3.91 | 4.13 | 4.14 | 4.14 | 4.15 | 4.38 | 4.39 | 4.39 | 4.40 | 4.64 | 4.65 | 4.65 | 4.66 |
| | 59 | TC | 47050 | 47113 | 47166 | 47230 | 49878 | 49937 | 49996 | 50055 | 52858 | 52927 | 52996 | 53055 | 56045 | 56106 | 56175 | 56245 |
| | | S/T | 0.54 | 0.63 | 0.72 | 0.82 | 0.57 | 0.67 | 0.76 | 0.87 | 0.61 | 0.71 | 0.81 | 0.92 | 0.64 | 0.75 | 0.86 | 0.98 |
| | | PI | 3.91 | 3.92 | 3.92 | 3.93 | 4.15 | 4.15 | 4.16 | 4.16 | 4.39 | 4.40 | 4.41 | 4.41 | 4.66 | 4.66 | 4.67 | 4.68 |
| | 68 | TC | 46663 | 46726 | 46778 | 46841 | 49468 | 49526 | 49585 | 49644 | 52424 | 52492 | 52560 | 52619 | 55584 | 55645 | 55714 | 55783 |
| | | S/T | 0.54 | 0.64 | 0.72 | 0.82 | 0.57 | 0.67 | 0.77 | 0.87 | 0.61 | 0.71 | 0.81 | 0.93 | 0.65 | 0.76 | 0.86 | 0.98 |
| | | PI | 3.92 | 3.93 | 3.93 | 3.94 | 4.16 | 4.17 | 4.17 | 4.17 | 4.41 | 4.41 | 4.42 | 4.43 | 4.67 | 4.68 | 4.69 | 4.69 |
| | 77 | TC | 46276 | 46339 | 46391 | 46453 | 49058 | 49116 | 49174 | 49233 | 51989 | 52057 | 52125 | 52183 | 55124 | 55183 | 55252 | 55321 |
| | | S/T | 0.56 | 0.65 | 0.74 | 0.85 | 0.59 | 0.69 | 0.79 | 0.90 | 0.63 | 0.73 | 0.83 | 0.95 | 0.66 | 0.78 | 0.88 | 1.01 |
| | | PI | 3.94 | 3.94 | 3.95 | 3.95 | 4.17 | 4.18 | 4.18 | 4.19 | 4.42 | 4.43 | 4.43 | 4.44 | 4.69 | 4.70 | 4.70 | 4.71 |
| | 86 | TC | 43288 | 43346 | 43394 | 43453 | 45889 | 45944 | 45998 | 46053 | 48632 | 48695 | 48758 | 48812 | 51563 | 51619 | 51683 | 51748 |
| | | S/T | 0.56 | 0.66 | 0.75 | 0.86 | 0.60 | 0.70 | 0.80 | 0.91 | 0.63 | 0.74 | 0.84 | 0.96 | 0.67 | 0.79 | 0.90 | 1.02 |
| | | PI | 4.32 | 4.33 | 4.33 | 4.34 | 4.58 | 4.59 | 4.59 | 4.60 | 4.86 | 4.86 | 4.87 | 4.88 | 5.15 | 5.16 | 5.16 | 5.17 |
| | 95 | TC | 42300 | 42357 | 42405 | 42462 | 44843 | 44896 | 44949 | 45002 | 47522 | 47584 | 47646 | 47699 | 50387 | 50442 | 50505 | 50568 |
| | | S/T | 0.58 | 0.68 | 0.77 | 0.88 | 0.61 | 0.72 | 0.82 | 0.93 | 0.65 | 0.76 | 0.87 | 0.99 | 0.69 | 0.81 | 0.92 | 1.05 |
| | | PI | 4.42 | 4.43 | 4.43 | 4.44 | 4.69 | 4.69 | 4.70 | 4.71 | 4.97 | 4.97 | 4.98 | 4.99 | 5.27 | 5.27 | 5.28 | 5.29 |
| | 104 | TC | 37390 | 37440 | 37482 | 37533 | 39637 | 39684 | 39731 | 39779 | 42006 | 42061 | 42115 | 42162 | 44538 | 44587 | 44642 | 44698 |
| | | S/T | 0.61 | 0.71 | 0.81 | 0.92 | 0.64 | 0.76 | 0.86 | 0.98 | 0.68 | 0.80 | 0.91 | 1.04 | 0.72 | 0.85 | 0.96 | 1.10 |
| | | PI | 9.86 | 9.87 | 9.88 | 9.90 | 10.45 | 10.46 | 10.48 | 10.49 | 11.08 | 11.09 | 11.11 | 11.12 | 11.74 | 11.76 | 11.77 | 11.79 |
| | 114.8 | TC | 31498 | 31540 | 31575 | 31618 | 33391 | 33430 | 33470 | 33510 | 35386 | 35432 | 35478 | 35518 | 37519 | 37560 | 37607 | 37654 |
| | | S/T | 0.61 | 0.72 | 0.82 | 0.93 | 0.65 | 0.76 | 0.87 | 0.99 | 0.69 | 0.81 | 0.92 | 1.05 | 0.73 | 0.86 | 0.98 | 1.11 |
| | | PI | 16.38 | 16.41 | 16.42 | 16.45 | 17.37 | 17.39 | 17.41 | 17.43 | 18.41 | 18.43 | 18.45 | 18.47 | 19.52 | 19.54 | 19.56 | 19.59 |
| | 122 | TC | 27569 | 27607 | 27638 | 27675 | 29226 | 29261 | 29296 | 29331 | 30973 | 31013 | 31054 | 31088 | 32840 | 32876 | 32917 | 32958 |
| | | S/T | 0.64 | 0.75 | 0.85 | 0.97 | 0.67 | 0.79 | 0.90 | 1.02 | 0.71 | 0.84 | 0.95 | 1.09 | 0.76 | 0.89 | 1.01 | 1.15 |
| | | PI | 20.73 | 20.76 | 20.78 | 20.81 | 21.98 | 22.01 | 22.03 | 22.06 | 23.29 | 23.32 | 23.35 | 23.38 | 24.70 | 24.72 | 24.75 | 24.79 |

NOTE: Data highlighted in gray is extrapolated data and not actual test data. At 77°F outdoor conditions sweat protection activates causing a decrease in total capacity.

LEGEND

- TC - Total Net Capacity (Btu/hour)
- S/T: Sensible Cooling Capacity Ratio
- PI: Power Input (kW)
- Extrapolated Data

COOLING PERFORMANCE NON-DUCTED

COOLING PERFORMANCE 48R (STANDARD)

NON-DUCTED COOLING PERFORMANCE 48R (Sheet 1 of 4)

| AIRFLOW (CFM) | OUTDOOR DB (°F) | ID WB (°F) ID DB (°F) | 60.8 | | | | 64.4 | | | | 66.2 | | | | 71.6 | | | |
|---------------|-----------------|--------------------------|-------|-------|-------|-------|-------|-------|-------|-------|-------|-------|-------|-------|-------|-------|-------|-------|
| | | | 73.4 | 77.0 | 80.6 | 84.2 | 73.4 | 77.0 | 80.6 | 84.2 | 73.4 | 77.0 | 80.0 | 84.20 | 73.4 | 77.0 | 80.6 | 84.2 |
| | | | TC | S/T | PI | TC | S/T | PI | TC | S/T | PI | TC | S/T | PI | TC | S/T | PI | TC |
| 820 | -22 | TC | 27001 | 27038 | 27068 | 27105 | 28624 | 28658 | 28692 | 28726 | 30335 | 30374 | 30414 | 30448 | 32164 | 32199 | 32239 | 32279 |
| | | S/T | 0.22 | 0.25 | 0.29 | 0.33 | 0.23 | 0.27 | 0.31 | 0.35 | 0.24 | 0.29 | 0.32 | 0.37 | 0.26 | 0.30 | 0.34 | 0.39 |
| | | PI | 1.53 | 1.53 | 1.53 | 1.54 | 1.62 | 1.62 | 1.63 | 1.63 | 1.72 | 1.72 | 1.72 | 1.73 | 1.82 | 1.83 | 1.83 | 1.83 |
| | -10 | TC | 26685 | 26721 | 26751 | 26787 | 28289 | 28322 | 28356 | 28389 | 29979 | 30018 | 30057 | 30091 | 31786 | 31821 | 31860 | 31900 |
| | | S/T | 0.22 | 0.26 | 0.29 | 0.33 | 0.23 | 0.27 | 0.31 | 0.35 | 0.24 | 0.29 | 0.33 | 0.37 | 0.26 | 0.30 | 0.35 | 0.39 |
| | | PI | 1.57 | 1.57 | 1.58 | 1.58 | 1.67 | 1.67 | 1.67 | 1.67 | 1.77 | 1.77 | 1.77 | 1.77 | 1.87 | 1.87 | 1.88 | 1.88 |
| | 0 | TC | 26421 | 26456 | 26486 | 26522 | 28009 | 28042 | 28075 | 28109 | 29682 | 29721 | 29760 | 29793 | 31472 | 31506 | 31545 | 31585 |
| | | S/T | 0.22 | 0.26 | 0.29 | 0.33 | 0.23 | 0.27 | 0.31 | 0.35 | 0.25 | 0.29 | 0.33 | 0.37 | 0.26 | 0.31 | 0.35 | 0.40 |
| | | PI | 1.61 | 1.61 | 1.61 | 1.61 | 1.70 | 1.70 | 1.71 | 1.71 | 1.80 | 1.81 | 1.81 | 1.81 | 1.91 | 1.91 | 1.92 | 1.92 |
| | 5 | TC | 26289 | 26324 | 26354 | 26389 | 27869 | 27902 | 27935 | 27968 | 29534 | 29573 | 29611 | 29644 | 31315 | 31349 | 31388 | 31427 |
| | | S/T | 0.22 | 0.26 | 0.29 | 0.33 | 0.23 | 0.27 | 0.31 | 0.35 | 0.25 | 0.29 | 0.33 | 0.38 | 0.26 | 0.31 | 0.35 | 0.40 |
| | | PI | 1.62 | 1.62 | 1.63 | 1.63 | 1.72 | 1.72 | 1.72 | 1.73 | 1.82 | 1.82 | 1.83 | 1.83 | 1.93 | 1.93 | 1.94 | 1.94 |
| | 14 | TC | 26051 | 26086 | 26116 | 26151 | 27617 | 27650 | 27683 | 27715 | 29267 | 29305 | 29343 | 29376 | 31032 | 31065 | 31104 | 31143 |
| | | S/T | 0.22 | 0.26 | 0.29 | 0.34 | 0.23 | 0.27 | 0.31 | 0.36 | 0.25 | 0.29 | 0.33 | 0.38 | 0.26 | 0.31 | 0.35 | 0.40 |
| | | PI | 1.65 | 1.65 | 1.66 | 1.66 | 1.75 | 1.75 | 1.76 | 1.76 | 1.86 | 1.86 | 1.86 | 1.86 | 1.97 | 1.97 | 1.97 | 1.98 |
| | 17 | TC | 25972 | 26007 | 26036 | 26071 | 27533 | 27566 | 27598 | 27631 | 29178 | 29216 | 29254 | 29287 | 30937 | 30971 | 31010 | 31048 |
| | | S/T | 0.22 | 0.26 | 0.29 | 0.34 | 0.23 | 0.28 | 0.31 | 0.36 | 0.25 | 0.29 | 0.33 | 0.38 | 0.26 | 0.31 | 0.35 | 0.40 |
| | | PI | 1.66 | 1.66 | 1.67 | 1.67 | 1.76 | 1.76 | 1.77 | 1.77 | 1.87 | 1.87 | 1.87 | 1.87 | 1.98 | 1.98 | 1.99 | 1.99 |
| | 23 | TC | 25867 | 25901 | 25930 | 25965 | 27421 | 27454 | 27486 | 27519 | 29060 | 29098 | 29135 | 29168 | 30812 | 30845 | 30883 | 30922 |
| | | S/T | 0.22 | 0.26 | 0.30 | 0.34 | 0.24 | 0.28 | 0.31 | 0.36 | 0.25 | 0.29 | 0.33 | 0.38 | 0.26 | 0.31 | 0.35 | 0.40 |
| | | PI | 1.68 | 1.68 | 1.68 | 1.68 | 1.78 | 1.78 | 1.78 | 1.78 | 1.88 | 1.89 | 1.89 | 1.89 | 2.00 | 2.00 | 2.00 | 2.00 |
| | 32 | TC | 25708 | 25743 | 25772 | 25806 | 27253 | 27286 | 27318 | 27350 | 28882 | 28919 | 28957 | 28989 | 30623 | 30656 | 30694 | 30733 |
| | | S/T | 0.22 | 0.26 | 0.30 | 0.34 | 0.24 | 0.28 | 0.32 | 0.36 | 0.25 | 0.29 | 0.33 | 0.38 | 0.27 | 0.31 | 0.35 | 0.40 |
| | | PI | 1.70 | 1.70 | 1.70 | 1.70 | 1.80 | 1.80 | 1.80 | 1.80 | 1.91 | 1.91 | 1.91 | 1.91 | 2.02 | 2.02 | 2.03 | 2.03 |
| | 41 | TC | 25497 | 25531 | 25560 | 25594 | 27029 | 27061 | 27094 | 27126 | 28645 | 28682 | 28719 | 28751 | 30371 | 30404 | 30442 | 30480 |
| | | S/T | 0.22 | 0.26 | 0.30 | 0.34 | 0.24 | 0.28 | 0.32 | 0.36 | 0.25 | 0.30 | 0.34 | 0.38 | 0.27 | 0.31 | 0.36 | 0.41 |
| | | PI | 1.72 | 1.73 | 1.73 | 1.73 | 1.83 | 1.83 | 1.83 | 1.83 | 1.94 | 1.94 | 1.94 | 1.94 | 2.05 | 2.06 | 2.06 | 2.06 |
| | 47 | TC | 25339 | 25373 | 25401 | 25435 | 26862 | 26893 | 26925 | 26957 | 28467 | 28504 | 28541 | 28573 | 30183 | 30216 | 30253 | 30291 |
| | | S/T | 0.22 | 0.26 | 0.30 | 0.34 | 0.24 | 0.28 | 0.32 | 0.36 | 0.25 | 0.30 | 0.34 | 0.38 | 0.27 | 0.31 | 0.36 | 0.41 |
| | | PI | 1.74 | 1.75 | 1.75 | 1.75 | 1.85 | 1.85 | 1.85 | 1.86 | 1.96 | 1.96 | 1.96 | 1.97 | 2.08 | 2.08 | 2.08 | 2.08 |
| | 50 | TC | 25314 | 25348 | 25376 | 25410 | 26835 | 26867 | 26899 | 26931 | 28439 | 28476 | 28513 | 28544 | 30153 | 30186 | 30223 | 30261 |
| | | S/T | 0.23 | 0.26 | 0.30 | 0.34 | 0.24 | 0.28 | 0.32 | 0.36 | 0.25 | 0.30 | 0.34 | 0.38 | 0.27 | 0.31 | 0.36 | 0.41 |
| | | PI | 1.75 | 1.75 | 1.76 | 1.76 | 1.86 | 1.86 | 1.86 | 1.86 | 1.97 | 1.97 | 1.97 | 1.97 | 2.09 | 2.09 | 2.09 | 2.09 |
| | 59 | TC | 25239 | 25273 | 25301 | 25335 | 26756 | 26787 | 26819 | 26851 | 28354 | 28391 | 28428 | 28460 | 30064 | 30096 | 30134 | 30171 |
| | | S/T | 0.23 | 0.27 | 0.30 | 0.34 | 0.24 | 0.28 | 0.32 | 0.36 | 0.25 | 0.30 | 0.34 | 0.39 | 0.27 | 0.32 | 0.36 | 0.41 |
| | | PI | 1.77 | 1.78 | 1.78 | 1.78 | 1.88 | 1.88 | 1.88 | 1.89 | 1.99 | 1.99 | 2.00 | 2.00 | 2.11 | 2.11 | 2.12 | 2.12 |
| | 68 | TC | 25164 | 25197 | 25226 | 25260 | 26676 | 26708 | 26739 | 26771 | 28270 | 28307 | 28344 | 28375 | 29974 | 30007 | 30044 | 30082 |
| | | S/T | 0.23 | 0.27 | 0.30 | 0.35 | 0.24 | 0.28 | 0.32 | 0.37 | 0.26 | 0.30 | 0.34 | 0.39 | 0.27 | 0.32 | 0.36 | 0.41 |
| | | PI | 1.80 | 1.80 | 1.80 | 1.80 | 1.90 | 1.91 | 1.91 | 1.91 | 2.02 | 2.02 | 2.02 | 2.02 | 2.14 | 2.14 | 2.14 | 2.15 |
| | 77 | TC | 25089 | 25122 | 25151 | 25184 | 26596 | 26628 | 26660 | 26691 | 28186 | 28222 | 28259 | 28291 | 29885 | 29917 | 29955 | 29992 |
| | | S/T | 0.23 | 0.27 | 0.31 | 0.36 | 0.25 | 0.29 | 0.33 | 0.38 | 0.26 | 0.31 | 0.35 | 0.40 | 0.28 | 0.33 | 0.37 | 0.42 |
| | | PI | 1.82 | 1.82 | 1.82 | 1.82 | 1.93 | 1.93 | 1.93 | 1.93 | 2.04 | 2.04 | 2.05 | 2.05 | 2.16 | 2.17 | 2.17 | 2.17 |
| | 86 | TC | 23607 | 23638 | 23665 | 23697 | 25026 | 25055 | 25085 | 25115 | 26521 | 26555 | 26590 | 26620 | 28120 | 28150 | 28185 | 28220 |
| | | S/T | 0.24 | 0.28 | 0.32 | 0.36 | 0.25 | 0.29 | 0.33 | 0.38 | 0.27 | 0.31 | 0.35 | 0.40 | 0.28 | 0.33 | 0.38 | 0.43 |
| | | PI | 1.94 | 1.94 | 1.95 | 1.95 | 2.06 | 2.06 | 2.06 | 2.07 | 2.18 | 2.18 | 2.19 | 2.19 | 2.31 | 2.32 | 2.32 | 2.32 |
| | 95 | TC | 23207 | 23238 | 23264 | 23296 | 24602 | 24631 | 24660 | 24689 | 26072 | 26106 | 26140 | 26169 | 27644 | 27674 | 27708 | 27743 |
| | | S/T | 0.24 | 0.28 | 0.32 | 0.37 | 0.26 | 0.30 | 0.34 | 0.39 | 0.27 | 0.32 | 0.36 | 0.41 | 0.29 | 0.34 | 0.39 | 0.44 |
| | | PI | 1.99 | 1.99 | 1.99 | 1.99 | 2.11 | 2.11 | 2.11 | 2.11 | 2.23 | 2.24 | 2.24 | 2.24 | 2.37 | 2.37 | 2.37 | 2.38 |
| 104 | TC | 20580 | 20608 | 20631 | 20659 | 21817 | 21843 | 21869 | 21895 | 23121 | 23151 | 23181 | 23207 | 24515 | 24541 | 24572 | 24602 | |
| | S/T | 0.25 | 0.30 | 0.34 | 0.39 | 0.27 | 0.32 | 0.36 | 0.41 | 0.29 | 0.34 | 0.38 | 0.44 | 0.30 | 0.36 | 0.40 | 0.46 | |
| | PI | 3.86 | 3.86 | 3.87 | 3.87 | 4.09 | 4.10 | 4.10 | 4.10 | 4.33 | 4.34 | 4.35 | 4.35 | 4.60 | 4.60 | 4.61 | 4.61 | |
| 114.8 | TC | 17428 | 17451 | 17471 | 17494 | 18475 | 18497 | 18519 | 18541 | 19579 | 19605 | 19630 | 19652 | 20760 | 20782 | 20808 | 20834 | |
| | S/T | 0.26 | 0.30 | 0.34 | 0.39 | 0.27 | 0.32 | 0.36 | 0.42 | 0.29 | 0.34 | 0.39 | 0.44 | 0.31 | 0.36 | 0.41 | 0.47 | |
| | PI | 6.10 | 6.11 | 6.12 | 6.13 | 6.47 | 6.48 | 6.49 | 6.49 | 6.86 | 6.87 | 6.88 | 6.88 | 7.27 | 7.28 | 7.29 | 7.30 | |
| 122 | TC | 15326 | 15347 | 15364 | 15385 | 16247 | 16267 | 16286 | 16305 | 17218 | 17241 | 17263 | 17282 | 18256 | 18276 | 18299 | 18322 | |
| | S/T | 0.27 | 0.31 | 0.36 | 0.41 | 0.28 | 0.33 | 0.38 | 0.43 | 0.30 | 0.35 | 0.40 | 0.46 | 0.32 | 0.37 | 0.42 | 0.48 | |
| | PI | 7.60 | 7.61 | 7.62 | 7.63 | 8.06 | 8.07 | 8.08 | 8.09 | 8.54 | 8.55 | 8.56 | 8.57 | 9.05 | 9.06 | 9.07 | 9.09 | |

NON-DUCTED COOLING PERFORMANCE 48R (Sheet 2 of 4)

| AIRFLOW (CFM) | OUTDOOR DB (°F) | ID WB (°F) ID DB (°F) | 60.8 | | | | 64.4 | | | | 66.2 | | | | 71.6 | | | |
|------------------|--------------------|-----------------------------|-------|-------|-------|-------|-------|-------|-------|-------|-------|-------|-------|-------|-------|-------|-------|-------|
| | | | 73.4 | 77.0 | 80.6 | 84.2 | 73.4 | 77.0 | 80.6 | 84.2 | 73.4 | 77.0 | 80.0 | 84.20 | 73.4 | 77.0 | 80.6 | 84.2 |
| | | | 1068 | -22 | TC | 34820 | 34866 | 34906 | 34953 | 36912 | 36956 | 37000 | 37044 | 39118 | 39169 | 39220 | 39264 | 41476 |
| | | S/T | 0.32 | 0.38 | 0.43 | 0.49 | 0.34 | 0.40 | 0.45 | 0.52 | 0.36 | 0.42 | 0.48 | 0.55 | 0.38 | 0.45 | 0.51 | 0.58 |
| | | PI | 2.26 | 2.26 | 2.27 | 2.27 | 2.40 | 2.40 | 2.40 | 2.40 | 2.54 | 2.54 | 2.55 | 2.55 | 2.69 | 2.69 | 2.70 | 2.70 |
| | -10 | TC | 34411 | 34457 | 34496 | 34543 | 36479 | 36523 | 36566 | 36609 | 38659 | 38709 | 38760 | 38803 | 40990 | 41034 | 41085 | 41137 |
| | | S/T | 0.32 | 0.38 | 0.43 | 0.49 | 0.34 | 0.40 | 0.46 | 0.52 | 0.36 | 0.43 | 0.48 | 0.55 | 0.38 | 0.45 | 0.51 | 0.58 |
| | | PI | 2.32 | 2.32 | 2.33 | 2.33 | 2.46 | 2.46 | 2.46 | 2.47 | 2.61 | 2.61 | 2.61 | 2.62 | 2.76 | 2.77 | 2.77 | 2.77 |
| | 0 | TC | 34071 | 34117 | 34155 | 34201 | 36119 | 36161 | 36204 | 36247 | 38277 | 38327 | 38376 | 38419 | 40584 | 40628 | 40679 | 40730 |
| | | S/T | 0.32 | 0.38 | 0.43 | 0.49 | 0.34 | 0.40 | 0.46 | 0.52 | 0.37 | 0.43 | 0.49 | 0.55 | 0.39 | 0.45 | 0.52 | 0.59 |
| | | PI | 2.37 | 2.37 | 2.38 | 2.38 | 2.51 | 2.51 | 2.52 | 2.52 | 2.66 | 2.67 | 2.67 | 2.67 | 2.82 | 2.83 | 2.83 | 2.83 |
| | 5 | TC | 33901 | 33946 | 33984 | 34030 | 35938 | 35981 | 36023 | 36066 | 38086 | 38135 | 38185 | 38227 | 40382 | 40426 | 40476 | 40526 |
| | | S/T | 0.33 | 0.38 | 0.43 | 0.50 | 0.35 | 0.41 | 0.46 | 0.53 | 0.37 | 0.43 | 0.49 | 0.56 | 0.39 | 0.46 | 0.52 | 0.59 |
| | | PI | 2.39 | 2.40 | 2.40 | 2.40 | 2.54 | 2.54 | 2.54 | 2.55 | 2.69 | 2.69 | 2.70 | 2.70 | 2.85 | 2.85 | 2.86 | 2.86 |
| | 14 | TC | 33594 | 33639 | 33677 | 33723 | 35613 | 35656 | 35698 | 35740 | 37742 | 37791 | 37840 | 37882 | 40017 | 40060 | 40110 | 40160 |
| | | S/T | 0.33 | 0.38 | 0.44 | 0.50 | 0.35 | 0.41 | 0.46 | 0.53 | 0.37 | 0.43 | 0.49 | 0.56 | 0.39 | 0.46 | 0.52 | 0.59 |
| | | PI | 2.44 | 2.44 | 2.45 | 2.45 | 2.59 | 2.59 | 2.59 | 2.59 | 2.74 | 2.74 | 2.75 | 2.75 | 2.91 | 2.91 | 2.91 | 2.92 |
| | 17 | TC | 33492 | 33537 | 33575 | 33620 | 35505 | 35547 | 35589 | 35632 | 37627 | 37676 | 37725 | 37767 | 39895 | 39938 | 39988 | 40038 |
| | | S/T | 0.33 | 0.39 | 0.44 | 0.50 | 0.35 | 0.41 | 0.46 | 0.53 | 0.37 | 0.43 | 0.49 | 0.56 | 0.39 | 0.46 | 0.52 | 0.59 |
| | | PI | 2.45 | 2.46 | 2.46 | 2.46 | 2.60 | 2.60 | 2.61 | 2.61 | 2.76 | 2.76 | 2.76 | 2.77 | 2.92 | 2.93 | 2.93 | 2.93 |
| | 23 | TC | 33356 | 33401 | 33438 | 33483 | 35361 | 35403 | 35445 | 35487 | 37474 | 37523 | 37571 | 37613 | 39733 | 39776 | 39826 | 39875 |
| | | S/T | 0.33 | 0.39 | 0.44 | 0.50 | 0.35 | 0.41 | 0.47 | 0.53 | 0.37 | 0.43 | 0.49 | 0.56 | 0.39 | 0.46 | 0.52 | 0.60 |
| | | PI | 2.47 | 2.48 | 2.48 | 2.48 | 2.62 | 2.63 | 2.63 | 2.63 | 2.78 | 2.78 | 2.79 | 2.79 | 2.95 | 2.95 | 2.95 | 2.96 |
| | 32 | TC | 33152 | 33196 | 33234 | 33278 | 35144 | 35186 | 35228 | 35269 | 37244 | 37293 | 37341 | 37383 | 39490 | 39533 | 39582 | 39631 |
| | | S/T | 0.33 | 0.39 | 0.44 | 0.50 | 0.35 | 0.41 | 0.47 | 0.53 | 0.37 | 0.44 | 0.50 | 0.56 | 0.39 | 0.46 | 0.53 | 0.60 |
| | | PI | 2.50 | 2.51 | 2.51 | 2.51 | 2.65 | 2.66 | 2.66 | 2.66 | 2.81 | 2.82 | 2.82 | 2.82 | 2.98 | 2.99 | 2.99 | 2.99 |
| | 41 | TC | 32879 | 32924 | 32961 | 33005 | 34856 | 34897 | 34938 | 34980 | 36939 | 36986 | 37035 | 37076 | 39165 | 39208 | 39257 | 39306 |
| | | S/T | 0.33 | 0.39 | 0.44 | 0.51 | 0.35 | 0.41 | 0.47 | 0.54 | 0.37 | 0.44 | 0.50 | 0.57 | 0.40 | 0.46 | 0.53 | 0.60 |
| | | PI | 2.54 | 2.55 | 2.55 | 2.55 | 2.70 | 2.70 | 2.70 | 2.71 | 2.86 | 2.86 | 2.87 | 2.87 | 3.03 | 3.03 | 3.04 | 3.04 |
| | 47 | TC | 32675 | 32719 | 32756 | 32800 | 34639 | 34680 | 34721 | 34762 | 36709 | 36757 | 36805 | 36846 | 38922 | 38964 | 39013 | 39061 |
| | | S/T | 0.33 | 0.39 | 0.44 | 0.51 | 0.35 | 0.41 | 0.47 | 0.54 | 0.37 | 0.44 | 0.50 | 0.57 | 0.40 | 0.47 | 0.53 | 0.60 |
| | | PI | 2.57 | 2.58 | 2.58 | 2.58 | 2.73 | 2.73 | 2.73 | 2.74 | 2.89 | 2.90 | 2.90 | 2.90 | 3.07 | 3.07 | 3.07 | 3.08 |
| | 50 | TC | 32643 | 32687 | 32724 | 32768 | 34605 | 34646 | 34687 | 34728 | 36673 | 36720 | 36768 | 36809 | 38884 | 38926 | 38974 | 39023 |
| | | S/T | 0.33 | 0.39 | 0.45 | 0.51 | 0.35 | 0.42 | 0.47 | 0.54 | 0.38 | 0.44 | 0.50 | 0.57 | 0.40 | 0.47 | 0.53 | 0.60 |
| | | PI | 2.58 | 2.59 | 2.59 | 2.59 | 2.74 | 2.74 | 2.75 | 2.75 | 2.90 | 2.91 | 2.91 | 2.91 | 3.08 | 3.08 | 3.09 | 3.09 |
| | 59 | TC | 32546 | 32590 | 32627 | 32671 | 34502 | 34543 | 34584 | 34625 | 36564 | 36612 | 36659 | 36700 | 38768 | 38811 | 38859 | 38907 |
| | | S/T | 0.34 | 0.39 | 0.45 | 0.51 | 0.36 | 0.42 | 0.47 | 0.54 | 0.38 | 0.44 | 0.50 | 0.57 | 0.40 | 0.47 | 0.53 | 0.61 |
| | | PI | 2.62 | 2.62 | 2.62 | 2.63 | 2.77 | 2.78 | 2.78 | 2.78 | 2.94 | 2.94 | 2.95 | 2.95 | 3.12 | 3.12 | 3.12 | 3.13 |
| | 68 | TC | 32450 | 32493 | 32530 | 32574 | 34400 | 34441 | 34481 | 34522 | 36455 | 36503 | 36550 | 36591 | 38653 | 38695 | 38743 | 38792 |
| | | S/T | 0.34 | 0.40 | 0.45 | 0.51 | 0.36 | 0.42 | 0.48 | 0.54 | 0.38 | 0.44 | 0.51 | 0.58 | 0.40 | 0.47 | 0.54 | 0.61 |
| | | PI | 2.65 | 2.65 | 2.66 | 2.66 | 2.81 | 2.81 | 2.82 | 2.82 | 2.98 | 2.98 | 2.98 | 2.99 | 3.16 | 3.16 | 3.16 | 3.17 |
| | 77 | TC | 32353 | 32396 | 32433 | 32476 | 34297 | 34338 | 34379 | 34419 | 36347 | 36394 | 36441 | 36482 | 38538 | 38580 | 38628 | 38676 |
| | | S/T | 0.35 | 0.41 | 0.46 | 0.53 | 0.37 | 0.43 | 0.49 | 0.56 | 0.39 | 0.46 | 0.52 | 0.59 | 0.41 | 0.48 | 0.55 | 0.63 |
| | | PI | 2.68 | 2.69 | 2.69 | 2.69 | 2.84 | 2.85 | 2.85 | 2.85 | 3.01 | 3.02 | 3.02 | 3.02 | 3.20 | 3.20 | 3.20 | 3.21 |
| | 86 | TC | 30442 | 30483 | 30517 | 30558 | 32272 | 32310 | 32348 | 32386 | 34200 | 34244 | 34289 | 34327 | 36262 | 36301 | 36346 | 36392 |
| | | S/T | 0.35 | 0.41 | 0.47 | 0.53 | 0.37 | 0.44 | 0.50 | 0.57 | 0.39 | 0.46 | 0.53 | 0.60 | 0.42 | 0.49 | 0.56 | 0.64 |
| | | PI | 2.87 | 2.87 | 2.87 | 2.88 | 3.04 | 3.04 | 3.04 | 3.05 | 3.22 | 3.22 | 3.23 | 3.23 | 3.41 | 3.42 | 3.42 | 3.43 |
| | 95 | TC | 29926 | 29967 | 30000 | 30041 | 31725 | 31763 | 31800 | 31838 | 33621 | 33665 | 33708 | 33746 | 35648 | 35686 | 35731 | 35775 |
| | | S/T | 0.36 | 0.42 | 0.48 | 0.55 | 0.38 | 0.45 | 0.51 | 0.58 | 0.40 | 0.47 | 0.54 | 0.61 | 0.43 | 0.50 | 0.57 | 0.65 |
| | | PI | 2.93 | 2.94 | 2.94 | 2.94 | 3.11 | 3.11 | 3.12 | 3.12 | 3.29 | 3.30 | 3.30 | 3.31 | 3.49 | 3.50 | 3.50 | 3.51 |
| | 104 | TC | 26539 | 26575 | 26604 | 26640 | 28134 | 28167 | 28201 | 28234 | 29815 | 29854 | 29893 | 29926 | 31613 | 31647 | 31686 | 31726 |
| | | S/T | 0.38 | 0.44 | 0.50 | 0.57 | 0.40 | 0.47 | 0.53 | 0.61 | 0.42 | 0.50 | 0.57 | 0.65 | 0.45 | 0.53 | 0.60 | 0.68 |
| | | PI | 5.69 | 5.70 | 5.71 | 5.72 | 6.04 | 6.04 | 6.05 | 6.06 | 6.40 | 6.41 | 6.41 | 6.42 | 6.78 | 6.79 | 6.80 | 6.81 |
| | 114.8 | TC | 22474 | 22504 | 22529 | 22560 | 23825 | 23853 | 23881 | 23910 | 25248 | 25281 | 25314 | 25342 | 26770 | 26800 | 26833 | 26866 |
| | | S/T | 0.38 | 0.45 | 0.51 | 0.58 | 0.41 | 0.48 | 0.54 | 0.62 | 0.43 | 0.50 | 0.57 | 0.65 | 0.46 | 0.53 | 0.61 | 0.69 |
| | | PI | 9.01 | 9.02 | 9.03 | 9.04 | 9.55 | 9.56 | 9.57 | 9.58 | 10.12 | 10.13 | 10.15 | 10.16 | 10.73 | 10.74 | 10.76 | 10.77 |
| | 122 | TC | 19764 | 19791 | 19813 | 19839 | 20952 | 20977 | 21001 | 21026 | 22204 | 22233 | 22262 | 22286 | 23542 | 23568 | 23597 | 23627 |
| | | S/T | 0.40 | 0.46 | 0.53 | 0.60 | 0.42 | 0.49 | 0.56 | 0.64 | 0.44 | 0.52 | 0.59 | 0.68 | 0.47 | 0.55 | 0.63 | 0.72 |
| | | PI | 11.22 | 11.23 | 11.25 | 11.26 | 11.89 | 11.91 | 11.92 | 11.94 | 12.60 | 12.62 | 12.64 | 12.65 | 13.36 | 13.38 | 13.39 | 13.41 |

NON-DUCTED COOLING PERFORMANCE 48R (Sheet 3 of 4)

| AIRFLOW (CFM) | OUTDOOR DB (°F) | ID WB (°F) ID DB (°F) | 60.8 | | | | 64.4 | | | | 66.2 | | | | 71.6 | | | |
|------------------|--------------------|-----------------------------|-------|-------|-------|-------|-------|-------|-------|-------|-------|-------|-------|-------|-------|-------|-------|-------|
| | | | 73.4 | 77.0 | 80.6 | 84.2 | 73.4 | 77.0 | 80.6 | 84.2 | 73.4 | 77.0 | 80.0 | 84.20 | 73.4 | 77.0 | 80.6 | 84.2 |
| | | | TC | S/T | PI | TC | S/T | PI | TC | S/T | PI | TC | S/T | PI | TC | S/T | PI | TC |
| 1600 | -22 | TC | 51648 | 51717 | 51775 | 51845 | 54752 | 54817 | 54882 | 54947 | 58024 | 58099 | 58175 | 58240 | 61522 | 61588 | 61665 | 61742 |
| | | S/T | 0.48 | 0.56 | 0.63 | 0.72 | 0.50 | 0.59 | 0.67 | 0.77 | 0.53 | 0.63 | 0.71 | 0.81 | 0.57 | 0.67 | 0.76 | 0.86 |
| | | PI | 3.35 | 3.36 | 3.36 | 3.36 | 3.55 | 3.56 | 3.56 | 3.57 | 3.77 | 3.77 | 3.78 | 3.78 | 3.99 | 4.00 | 4.00 | 4.01 |
| | -10 | TC | 51042 | 51111 | 51168 | 51237 | 54110 | 54174 | 54238 | 54302 | 57343 | 57418 | 57492 | 57556 | 60800 | 60866 | 60942 | 61018 |
| | | S/T | 0.48 | 0.56 | 0.64 | 0.73 | 0.51 | 0.60 | 0.68 | 0.77 | 0.54 | 0.63 | 0.72 | 0.82 | 0.57 | 0.67 | 0.76 | 0.87 |
| | | PI | 3.44 | 3.44 | 3.45 | 3.45 | 3.65 | 3.65 | 3.66 | 3.66 | 3.86 | 3.87 | 3.88 | 3.88 | 4.10 | 4.10 | 4.11 | 4.11 |
| | 0 | TC | 50537 | 50605 | 50662 | 50730 | 53574 | 53638 | 53701 | 53765 | 56776 | 56850 | 56924 | 56987 | 60199 | 60264 | 60339 | 60414 |
| | | S/T | 0.48 | 0.57 | 0.64 | 0.73 | 0.51 | 0.60 | 0.68 | 0.78 | 0.54 | 0.64 | 0.72 | 0.82 | 0.57 | 0.67 | 0.77 | 0.87 |
| | | PI | 3.51 | 3.52 | 3.52 | 3.53 | 3.73 | 3.73 | 3.73 | 3.74 | 3.95 | 3.95 | 3.96 | 3.96 | 4.19 | 4.19 | 4.20 | 4.20 |
| | 5 | TC | 50285 | 50352 | 50409 | 50477 | 53307 | 53370 | 53433 | 53497 | 56492 | 56566 | 56639 | 56702 | 59898 | 59963 | 60038 | 60112 |
| | | S/T | 0.48 | 0.57 | 0.64 | 0.73 | 0.51 | 0.60 | 0.68 | 0.78 | 0.54 | 0.64 | 0.72 | 0.83 | 0.58 | 0.68 | 0.77 | 0.88 |
| | | PI | 3.55 | 3.56 | 3.56 | 3.56 | 3.76 | 3.77 | 3.77 | 3.78 | 3.99 | 3.99 | 4.00 | 4.00 | 4.23 | 4.23 | 4.24 | 4.25 |
| | 14 | TC | 49830 | 49897 | 49953 | 50021 | 52825 | 52888 | 52950 | 53013 | 55982 | 56054 | 56127 | 56190 | 59357 | 59421 | 59495 | 59569 |
| | | S/T | 0.49 | 0.57 | 0.65 | 0.74 | 0.51 | 0.60 | 0.69 | 0.78 | 0.55 | 0.64 | 0.73 | 0.83 | 0.58 | 0.68 | 0.77 | 0.88 |
| | | PI | 3.62 | 3.62 | 3.63 | 3.63 | 3.84 | 3.84 | 3.84 | 3.85 | 4.06 | 4.07 | 4.08 | 4.08 | 4.31 | 4.31 | 4.32 | 4.32 |
| | 17 | TC | 49679 | 49746 | 49801 | 49869 | 52665 | 52727 | 52789 | 52852 | 55812 | 55884 | 55957 | 56019 | 59176 | 59241 | 59314 | 59388 |
| | | S/T | 0.49 | 0.57 | 0.65 | 0.74 | 0.52 | 0.61 | 0.69 | 0.78 | 0.55 | 0.64 | 0.73 | 0.83 | 0.58 | 0.68 | 0.77 | 0.88 |
| | | PI | 3.64 | 3.64 | 3.65 | 3.65 | 3.86 | 3.86 | 3.87 | 3.87 | 4.09 | 4.09 | 4.10 | 4.10 | 4.34 | 4.34 | 4.35 | 4.35 |
| | 23 | TC | 49477 | 49543 | 49599 | 49666 | 52450 | 52513 | 52575 | 52637 | 55585 | 55657 | 55729 | 55792 | 58936 | 59000 | 59073 | 59147 |
| | | S/T | 0.49 | 0.57 | 0.65 | 0.74 | 0.52 | 0.61 | 0.69 | 0.79 | 0.55 | 0.64 | 0.73 | 0.83 | 0.58 | 0.68 | 0.78 | 0.88 |
| | | PI | 3.67 | 3.67 | 3.68 | 3.68 | 3.89 | 3.89 | 3.90 | 3.90 | 4.12 | 4.13 | 4.13 | 4.14 | 4.37 | 4.38 | 4.38 | 4.39 |
| | 32 | TC | 49174 | 49240 | 49295 | 49362 | 52129 | 52191 | 52253 | 52315 | 55244 | 55316 | 55388 | 55450 | 58575 | 58638 | 58711 | 58785 |
| | | S/T | 0.49 | 0.58 | 0.65 | 0.75 | 0.52 | 0.61 | 0.69 | 0.79 | 0.55 | 0.65 | 0.74 | 0.84 | 0.58 | 0.69 | 0.78 | 0.89 |
| | | PI | 3.71 | 3.72 | 3.72 | 3.73 | 3.94 | 3.94 | 3.95 | 3.95 | 4.17 | 4.18 | 4.18 | 4.19 | 4.42 | 4.43 | 4.43 | 4.44 |
| | 41 | TC | 48770 | 48836 | 48890 | 48956 | 51701 | 51762 | 51824 | 51885 | 54791 | 54862 | 54933 | 54995 | 58094 | 58157 | 58229 | 58302 |
| | | S/T | 0.49 | 0.58 | 0.66 | 0.75 | 0.52 | 0.61 | 0.70 | 0.79 | 0.55 | 0.65 | 0.74 | 0.84 | 0.59 | 0.69 | 0.78 | 0.89 |
| | | PI | 3.77 | 3.78 | 3.78 | 3.79 | 4.00 | 4.00 | 4.01 | 4.01 | 4.24 | 4.24 | 4.25 | 4.25 | 4.49 | 4.50 | 4.51 | 4.51 |
| | 47 | TC | 48467 | 48532 | 48587 | 48652 | 51380 | 51441 | 51502 | 51563 | 54450 | 54521 | 54592 | 54653 | 57733 | 57796 | 57868 | 57940 |
| | | S/T | 0.49 | 0.58 | 0.66 | 0.75 | 0.52 | 0.61 | 0.70 | 0.80 | 0.56 | 0.65 | 0.74 | 0.84 | 0.59 | 0.69 | 0.78 | 0.89 |
| | | PI | 3.82 | 3.82 | 3.83 | 3.83 | 4.05 | 4.05 | 4.06 | 4.06 | 4.29 | 4.29 | 4.30 | 4.30 | 4.55 | 4.55 | 4.56 | 4.56 |
| | 50 | TC | 48419 | 48484 | 48539 | 48604 | 51329 | 51390 | 51451 | 51512 | 54397 | 54467 | 54538 | 54599 | 57676 | 57739 | 57810 | 57882 |
| | | S/T | 0.50 | 0.58 | 0.66 | 0.75 | 0.53 | 0.62 | 0.70 | 0.80 | 0.56 | 0.65 | 0.74 | 0.85 | 0.59 | 0.69 | 0.79 | 0.90 |
| | | PI | 3.83 | 3.84 | 3.84 | 3.85 | 4.06 | 4.07 | 4.07 | 4.08 | 4.31 | 4.31 | 4.32 | 4.32 | 4.57 | 4.57 | 4.58 | 4.58 |
| | 59 | TC | 48276 | 48341 | 48395 | 48460 | 51177 | 51238 | 51299 | 51359 | 54235 | 54306 | 54377 | 54437 | 57505 | 57567 | 57639 | 57711 |
| | | S/T | 0.50 | 0.58 | 0.66 | 0.76 | 0.53 | 0.62 | 0.70 | 0.80 | 0.56 | 0.66 | 0.75 | 0.85 | 0.59 | 0.70 | 0.79 | 0.90 |
| | | PI | 3.88 | 3.89 | 3.89 | 3.90 | 4.12 | 4.12 | 4.13 | 4.13 | 4.36 | 4.37 | 4.37 | 4.38 | 4.62 | 4.63 | 4.63 | 4.64 |
| | 68 | TC | 48132 | 48197 | 48251 | 48316 | 51025 | 51086 | 51146 | 51207 | 54074 | 54144 | 54215 | 54275 | 57334 | 57396 | 57468 | 57539 |
| | | S/T | 0.50 | 0.59 | 0.67 | 0.76 | 0.53 | 0.62 | 0.71 | 0.81 | 0.56 | 0.66 | 0.75 | 0.86 | 0.60 | 0.70 | 0.80 | 0.91 |
| | | PI | 3.93 | 3.94 | 3.94 | 3.95 | 4.17 | 4.17 | 4.18 | 4.18 | 4.42 | 4.42 | 4.43 | 4.43 | 4.68 | 4.69 | 4.69 | 4.70 |
| | 77 | TC | 47989 | 48053 | 48107 | 48172 | 50873 | 50933 | 50994 | 51054 | 53913 | 53983 | 54053 | 54114 | 57163 | 57225 | 57296 | 57368 |
| | | S/T | 0.51 | 0.60 | 0.69 | 0.78 | 0.54 | 0.64 | 0.73 | 0.83 | 0.58 | 0.68 | 0.77 | 0.88 | 0.61 | 0.72 | 0.82 | 0.93 |
| | | PI | 3.98 | 3.98 | 3.99 | 3.99 | 4.22 | 4.22 | 4.23 | 4.23 | 4.47 | 4.48 | 4.48 | 4.49 | 4.74 | 4.74 | 4.75 | 4.76 |
| | 86 | TC | 45154 | 45215 | 45266 | 45327 | 47868 | 47925 | 47982 | 48039 | 50729 | 50794 | 50861 | 50917 | 53787 | 53845 | 53912 | 53979 |
| | | S/T | 0.52 | 0.61 | 0.69 | 0.79 | 0.55 | 0.65 | 0.74 | 0.84 | 0.59 | 0.69 | 0.78 | 0.89 | 0.62 | 0.73 | 0.83 | 0.94 |
| | | PI | 4.25 | 4.26 | 4.26 | 4.27 | 4.51 | 4.51 | 4.52 | 4.52 | 4.78 | 4.78 | 4.79 | 4.79 | 5.06 | 5.07 | 5.07 | 5.08 |
| | 95 | TC | 44390 | 44449 | 44499 | 44559 | 47058 | 47113 | 47169 | 47225 | 49870 | 49935 | 49999 | 50055 | 52876 | 52934 | 52999 | 53065 |
| | | S/T | 0.53 | 0.63 | 0.71 | 0.81 | 0.57 | 0.66 | 0.75 | 0.86 | 0.60 | 0.70 | 0.80 | 0.91 | 0.64 | 0.75 | 0.85 | 0.97 |
| | | PI | 4.35 | 4.36 | 4.36 | 4.37 | 4.61 | 4.62 | 4.62 | 4.63 | 4.89 | 4.89 | 4.90 | 4.91 | 5.18 | 5.19 | 5.19 | 5.20 |
| | 104 | TC | 39365 | 39418 | 39462 | 39515 | 41731 | 41780 | 41830 | 41880 | 44225 | 44282 | 44340 | 44389 | 46891 | 46942 | 47000 | 47059 |
| | | S/T | 0.56 | 0.66 | 0.75 | 0.85 | 0.59 | 0.70 | 0.79 | 0.90 | 0.63 | 0.74 | 0.84 | 0.96 | 0.67 | 0.78 | 0.89 | 1.02 |
| | | PI | 8.45 | 8.46 | 8.47 | 8.48 | 8.95 | 8.97 | 8.98 | 8.99 | 9.49 | 9.50 | 9.51 | 9.53 | 10.06 | 10.07 | 10.09 | 10.10 |
| | 114.8 | TC | 33335 | 33380 | 33418 | 33463 | 35339 | 35381 | 35423 | 35465 | 37451 | 37499 | 37548 | 37590 | 39708 | 39752 | 39801 | 39851 |
| | | S/T | 0.57 | 0.67 | 0.76 | 0.86 | 0.60 | 0.71 | 0.80 | 0.91 | 0.64 | 0.75 | 0.85 | 0.97 | 0.68 | 0.79 | 0.90 | 1.03 |
| | | PI | 13.36 | 13.38 | 13.40 | 13.41 | 14.17 | 14.18 | 14.20 | 14.22 | 15.01 | 15.03 | 15.05 | 15.07 | 15.92 | 15.94 | 15.96 | 15.97 |
| | 122 | TC | 29316 | 29355 | 29388 | 29428 | 31078 | 31115 | 31151 | 31188 | 32935 | 32978 | 33020 | 33057 | 34920 | 34958 | 35002 | 35045 |
| | | S/T | 0.59 | 0.69 | 0.78 | 0.89 | 0.62 | 0.73 | 0.83 | 0.95 | 0.66 | 0.77 | 0.88 | 1.00 | 0.70 | 0.82 | 0.93 | 1.06 |
| | | PI | 16.64 | 16.66 | 16.68 | 16.70 | 17.64 | 17.66 | 17.68 | 17.70 | 18.69 | 18.72 | 18.74 | 18.76 | 19.82 | 19.84 | 19.87 | 19.89 |

NON-DUCTED COOLING PERFORMANCE 48R (Sheet 4 of 4)

| AIRFLOW (CFM) | OUTDOOR DB (°F) | ID WB (°F) ID DB (°F) | 60.8 | | | | 64.4 | | | | 66.2 | | | | 71.6 | | | |
|------------------|--------------------|-----------------------------|-------|-------|-------|-------|-------|-------|-------|-------|-------|-------|-------|-------|-------|-------|-------|-------|
| | | | 73.4 | 77.0 | 80.6 | 84.2 | 73.4 | 77.0 | 80.6 | 84.2 | 73.4 | 77.0 | 80.0 | 84.20 | 73.4 | 77.0 | 80.6 | 84.2 |
| | | | 1750 | -22 | TC | 55930 | 56006 | 56068 | 56144 | 59292 | 59362 | 59433 | 59503 | 62835 | 62917 | 62998 | 63069 | 66623 |
| S/T | 0.52 | 0.60 | | | 0.69 | 0.78 | 0.55 | 0.64 | 0.73 | 0.83 | 0.58 | 0.68 | 0.77 | 0.88 | 0.61 | 0.72 | 0.82 | 0.93 |
| PI | 3.63 | 3.63 | | | 3.64 | 3.64 | 3.85 | 3.85 | 3.86 | 3.86 | 4.08 | 4.08 | 4.09 | 4.09 | 4.32 | 4.33 | 4.33 | 4.34 |
| -10 | TC | 55274 | | 55349 | 55411 | 55485 | 58596 | 58666 | 58735 | 58805 | 62098 | 62179 | 62259 | 62329 | 65841 | 65913 | 65995 | 66077 |
| | S/T | 0.52 | | 0.61 | 0.69 | 0.79 | 0.55 | 0.65 | 0.73 | 0.84 | 0.58 | 0.68 | 0.78 | 0.89 | 0.62 | 0.73 | 0.82 | 0.94 |
| | PI | 3.73 | | 3.73 | 3.73 | 3.74 | 3.95 | 3.95 | 3.96 | 3.96 | 4.19 | 4.19 | 4.20 | 4.20 | 4.44 | 4.44 | 4.45 | 4.45 |
| 0 | TC | 54728 | | 54801 | 54863 | 54937 | 58017 | 58086 | 58154 | 58223 | 61484 | 61564 | 61644 | 61712 | 65190 | 65261 | 65342 | 65424 |
| | S/T | 0.52 | | 0.61 | 0.70 | 0.79 | 0.55 | 0.65 | 0.74 | 0.84 | 0.59 | 0.69 | 0.78 | 0.89 | 0.62 | 0.73 | 0.83 | 0.94 |
| | PI | 3.81 | | 3.81 | 3.82 | 3.82 | 4.03 | 4.04 | 4.04 | 4.05 | 4.28 | 4.28 | 4.29 | 4.29 | 4.53 | 4.54 | 4.54 | 4.55 |
| 5 | TC | 54454 | | 54527 | 54589 | 54662 | 57727 | 57795 | 57864 | 57933 | 61177 | 61256 | 61336 | 61404 | 64865 | 64935 | 65016 | 65097 |
| | S/T | 0.52 | | 0.61 | 0.70 | 0.80 | 0.55 | 0.65 | 0.74 | 0.84 | 0.59 | 0.69 | 0.78 | 0.89 | 0.62 | 0.73 | 0.83 | 0.95 |
| | PI | 3.85 | | 3.85 | 3.86 | 3.86 | 4.08 | 4.08 | 4.09 | 4.09 | 4.32 | 4.33 | 4.33 | 4.34 | 4.58 | 4.59 | 4.59 | 4.60 |
| 14 | TC | 53962 | | 54035 | 54095 | 54168 | 57205 | 57273 | 57341 | 57409 | 60624 | 60703 | 60782 | 60849 | 64278 | 64348 | 64428 | 64509 |
| | S/T | 0.53 | | 0.62 | 0.70 | 0.80 | 0.56 | 0.65 | 0.74 | 0.85 | 0.59 | 0.69 | 0.79 | 0.90 | 0.63 | 0.74 | 0.84 | 0.95 |
| | PI | 3.92 | | 3.92 | 3.93 | 3.93 | 4.15 | 4.16 | 4.16 | 4.17 | 4.40 | 4.41 | 4.41 | 4.42 | 4.67 | 4.67 | 4.68 | 4.68 |
| 17 | TC | 53798 | | 53870 | 53931 | 54004 | 57032 | 57099 | 57167 | 57235 | 60440 | 60518 | 60597 | 60664 | 64083 | 64153 | 64233 | 64313 |
| | S/T | 0.53 | | 0.62 | 0.70 | 0.80 | 0.56 | 0.66 | 0.75 | 0.85 | 0.59 | 0.69 | 0.79 | 0.90 | 0.63 | 0.74 | 0.84 | 0.95 |
| | PI | 3.94 | | 3.95 | 3.95 | 3.96 | 4.18 | 4.18 | 4.19 | 4.19 | 4.43 | 4.43 | 4.44 | 4.44 | 4.70 | 4.70 | 4.71 | 4.71 |
| 23 | TC | 53579 | | 53651 | 53712 | 53784 | 56800 | 56867 | 56934 | 57002 | 60194 | 60272 | 60350 | 60418 | 63823 | 63892 | 63971 | 64051 |
| | S/T | 0.53 | | 0.62 | 0.70 | 0.80 | 0.56 | 0.66 | 0.75 | 0.85 | 0.59 | 0.70 | 0.79 | 0.90 | 0.63 | 0.74 | 0.84 | 0.96 |
| | PI | 3.97 | | 3.98 | 3.98 | 3.99 | 4.21 | 4.22 | 4.22 | 4.23 | 4.46 | 4.47 | 4.48 | 4.48 | 4.73 | 4.74 | 4.74 | 4.75 |
| 32 | TC | 53251 | | 53323 | 53383 | 53455 | 56452 | 56519 | 56586 | 56653 | 59825 | 59903 | 59981 | 60048 | 63432 | 63501 | 63580 | 63659 |
| | S/T | 0.53 | | 0.62 | 0.71 | 0.81 | 0.56 | 0.66 | 0.75 | 0.86 | 0.60 | 0.70 | 0.80 | 0.91 | 0.63 | 0.74 | 0.84 | 0.96 |
| | PI | 4.02 | | 4.03 | 4.03 | 4.04 | 4.26 | 4.27 | 4.27 | 4.28 | 4.52 | 4.52 | 4.53 | 4.54 | 4.79 | 4.80 | 4.80 | 4.81 |
| 41 | TC | 52814 | 52885 | 52944 | 53016 | 55988 | 56055 | 56121 | 56188 | 59334 | 59411 | 59488 | 59555 | 62911 | 62979 | 63058 | 63136 | |
| | S/T | 0.53 | 0.63 | 0.71 | 0.81 | 0.57 | 0.66 | 0.75 | 0.86 | 0.60 | 0.70 | 0.80 | 0.91 | 0.64 | 0.75 | 0.85 | 0.97 | |
| | PI | 4.09 | 4.09 | 4.10 | 4.10 | 4.33 | 4.34 | 4.34 | 4.35 | 4.59 | 4.60 | 4.60 | 4.61 | 4.87 | 4.87 | 4.88 | 4.88 | |
| 47 | TC | 52486 | 52557 | 52616 | 52686 | 55641 | 55706 | 55772 | 55839 | 58965 | 59042 | 59119 | 59185 | 62520 | 62588 | 62666 | 62744 | |
| | S/T | 0.54 | 0.63 | 0.71 | 0.81 | 0.57 | 0.67 | 0.76 | 0.86 | 0.60 | 0.71 | 0.80 | 0.91 | 0.64 | 0.75 | 0.85 | 0.97 | |
| | PI | 4.13 | 4.14 | 4.14 | 4.15 | 4.38 | 4.39 | 4.39 | 4.40 | 4.64 | 4.65 | 4.66 | 4.66 | 4.92 | 4.93 | 4.94 | 4.94 | |
| 50 | TC | 52434 | 52505 | 52564 | 52634 | 55586 | 55651 | 55717 | 55784 | 58907 | 58984 | 59060 | 59126 | 62458 | 62526 | 62604 | 62682 | |
| | S/T | 0.54 | 0.63 | 0.72 | 0.82 | 0.57 | 0.67 | 0.76 | 0.86 | 0.60 | 0.71 | 0.80 | 0.92 | 0.64 | 0.75 | 0.85 | 0.97 | |
| | PI | 4.15 | 4.16 | 4.16 | 4.17 | 4.40 | 4.41 | 4.41 | 4.42 | 4.66 | 4.67 | 4.68 | 4.68 | 4.95 | 4.95 | 4.96 | 4.96 | |
| 59 | TC | 52279 | 52349 | 52408 | 52479 | 55421 | 55487 | 55552 | 55618 | 58733 | 58809 | 58885 | 58951 | 62273 | 62341 | 62419 | 62496 | |
| | S/T | 0.54 | 0.63 | 0.72 | 0.82 | 0.57 | 0.67 | 0.76 | 0.87 | 0.61 | 0.71 | 0.81 | 0.92 | 0.64 | 0.75 | 0.86 | 0.98 | |
| | PI | 4.20 | 4.21 | 4.21 | 4.22 | 4.46 | 4.46 | 4.47 | 4.47 | 4.72 | 4.73 | 4.74 | 4.74 | 5.01 | 5.01 | 5.02 | 5.03 | |
| 68 | TC | 52123 | 52194 | 52252 | 52323 | 55256 | 55322 | 55387 | 55453 | 58558 | 58634 | 58710 | 58776 | 62088 | 62156 | 62233 | 62311 | |
| | S/T | 0.54 | 0.64 | 0.72 | 0.82 | 0.57 | 0.67 | 0.77 | 0.87 | 0.61 | 0.71 | 0.81 | 0.93 | 0.65 | 0.76 | 0.86 | 0.98 | |
| | PI | 4.26 | 4.26 | 4.27 | 4.27 | 4.51 | 4.52 | 4.52 | 4.53 | 4.78 | 4.79 | 4.79 | 4.80 | 5.07 | 5.08 | 5.08 | 5.09 | |
| 77 | TC | 51968 | 52038 | 52096 | 52167 | 55091 | 55157 | 55222 | 55288 | 58384 | 58459 | 58535 | 58601 | 61903 | 61970 | 62048 | 62125 | |
| | S/T | 0.56 | 0.65 | 0.74 | 0.85 | 0.59 | 0.69 | 0.79 | 0.90 | 0.63 | 0.73 | 0.83 | 0.95 | 0.66 | 0.78 | 0.88 | 1.01 | |
| | PI | 4.31 | 4.31 | 4.32 | 4.33 | 4.57 | 4.57 | 4.58 | 4.58 | 4.84 | 4.85 | 4.85 | 4.86 | 5.13 | 5.14 | 5.14 | 5.15 | |
| 86 | TC | 48898 | 48964 | 49019 | 49085 | 51837 | 51899 | 51960 | 52022 | 54935 | 55006 | 55078 | 55139 | 58247 | 58310 | 58383 | 58455 | |
| | S/T | 0.56 | 0.66 | 0.75 | 0.86 | 0.60 | 0.70 | 0.80 | 0.91 | 0.63 | 0.74 | 0.84 | 0.96 | 0.67 | 0.79 | 0.90 | 1.02 | |
| | PI | 4.60 | 4.61 | 4.61 | 4.62 | 4.88 | 4.89 | 4.89 | 4.90 | 5.17 | 5.18 | 5.18 | 5.19 | 5.48 | 5.49 | 5.50 | 5.50 | |
| 95 | TC | 48071 | 48135 | 48189 | 48254 | 50960 | 51020 | 51081 | 51141 | 54005 | 54075 | 54145 | 54206 | 57261 | 57323 | 57394 | 57466 | |
| | S/T | 0.58 | 0.68 | 0.77 | 0.88 | 0.61 | 0.72 | 0.82 | 0.93 | 0.65 | 0.76 | 0.87 | 0.99 | 0.69 | 0.81 | 0.92 | 1.05 | |
| | PI | 4.71 | 4.72 | 4.72 | 4.73 | 4.99 | 5.00 | 5.01 | 5.01 | 5.29 | 5.30 | 5.31 | 5.31 | 5.61 | 5.62 | 5.62 | 5.63 | |
| 104 | TC | 42629 | 42687 | 42734 | 42792 | 45191 | 45245 | 45299 | 45352 | 47892 | 47954 | 48016 | 48070 | 50779 | 50834 | 50897 | 50961 | |
| | S/T | 0.61 | 0.71 | 0.81 | 0.92 | 0.64 | 0.76 | 0.86 | 0.98 | 0.68 | 0.80 | 0.91 | 1.04 | 0.72 | 0.85 | 0.96 | 1.10 | |
| | PI | 9.15 | 9.16 | 9.17 | 9.18 | 9.70 | 9.71 | 9.72 | 9.73 | 10.28 | 10.29 | 10.30 | 10.31 | 10.90 | 10.91 | 10.92 | 10.94 | |
| 114.8 | TC | 36100 | 36148 | 36189 | 36238 | 38269 | 38315 | 38360 | 38406 | 40556 | 40609 | 40662 | 40707 | 43001 | 43048 | 43101 | 43155 | |
| | S/T | 0.61 | 0.72 | 0.82 | 0.93 | 0.65 | 0.76 | 0.87 | 0.99 | 0.69 | 0.81 | 0.92 | 1.05 | 0.73 | 0.86 | 0.98 | 1.11 | |
| | PI | 14.47 | 14.49 | 14.51 | 14.53 | 15.34 | 15.36 | 15.38 | 15.40 | 16.26 | 16.28 | 16.30 | 16.32 | 17.24 | 17.26 | 17.28 | 17.30 | |
| 122 | TC | 31747 | 31789 | 31825 | 31868 | 33655 | 33695 | 33734 | 33775 | 35666 | 35712 | 35759 | 35798 | 37816 | 37857 | 37904 | 37951 | |
| | S/T | 0.64 | 0.75 | 0.85 | 0.97 | 0.67 | 0.79 | 0.90 | 1.02 | 0.71 | 0.84 | 0.95 | 1.09 | 0.76 | 0.89 | 1.01 | 1.15 | |
| | PI | 18.02 | 18.04 | 18.06 | 18.09 | 19.10 | 19.13 | 19.15 | 19.17 | 20.25 | 20.27 | 20.30 | 20.32 | 21.47 | 21.49 | 21.52 | 21.54 | |

NOTE: Data highlighted in gray is extrapolated data and not actual test data. At 77°F outdoor conditions sweat protection activates causing a decrease in total capacity.

LEGEND

- TC - Total Net Capacity (Btu/hour)
- S/T: Sensible Cooling Capacity Ratio
- PI: Power Input (kW)
- Extrapolated Data

COOLING PERFORMANCE NON-DUCTED

COOLING PERFORMANCE 48HH (HIGH HEAT)

NON-DUCTED COOLING PERFORMANCE 48HH (Sheet 1 of 4)

| AIRFLOW (CFM) | OUTDOOR DB (°F) | ID WB (°F) | NON-DUCTED COOLING PERFORMANCE 48HH (Sheet 1 of 4) | | | | | | | | | | | | | | | |
|---------------|-----------------|------------|--|-------|-------|-------|-------|-------|-------|-------|-------|-------|-------|-------|-------|-------|-------|-------|
| | | | 60.8 | | | | 64.4 | | | | 66.2 | | | | 71.6 | | | |
| | | | ID DB (°F) | 73.4 | 77.0 | 80.6 | 84.2 | 73.4 | 77.0 | 80.6 | 84.2 | 73.4 | 77.0 | 80.0 | 84.20 | 73.4 | 77.0 | 80.6 |
| 820 | -22 | TC | 25418 | 25452 | 25481 | 25515 | 26946 | 26977 | 27009 | 27041 | 28556 | 28593 | 28630 | 28662 | 30277 | 30310 | 30348 | 30386 |
| | | S/T | 0.22 | 0.25 | 0.29 | 0.33 | 0.23 | 0.27 | 0.31 | 0.35 | 0.24 | 0.29 | 0.32 | 0.37 | 0.26 | 0.30 | 0.34 | 0.39 |
| | | PI | 1.12 | 1.12 | 1.12 | 1.12 | 1.18 | 1.18 | 1.18 | 1.19 | 1.25 | 1.25 | 1.26 | 1.26 | 1.33 | 1.33 | 1.33 | 1.33 |
| | -10 | TC | 25101 | 25135 | 25163 | 25197 | 26610 | 26641 | 26673 | 26704 | 28200 | 28236 | 28273 | 28305 | 29900 | 29932 | 29970 | 30007 |
| | | S/T | 0.22 | 0.26 | 0.29 | 0.33 | 0.23 | 0.27 | 0.31 | 0.35 | 0.24 | 0.29 | 0.33 | 0.37 | 0.26 | 0.30 | 0.35 | 0.39 |
| | | PI | 1.20 | 1.20 | 1.20 | 1.20 | 1.27 | 1.27 | 1.27 | 1.27 | 1.34 | 1.35 | 1.35 | 1.35 | 1.42 | 1.43 | 1.43 | 1.43 |
| | 0 | TC | 24837 | 24871 | 24898 | 24932 | 26330 | 26361 | 26392 | 26424 | 27903 | 27940 | 27976 | 28007 | 29585 | 29618 | 29654 | 29691 |
| | | S/T | 0.22 | 0.26 | 0.29 | 0.33 | 0.23 | 0.27 | 0.31 | 0.35 | 0.25 | 0.29 | 0.33 | 0.37 | 0.26 | 0.31 | 0.35 | 0.40 |
| | | PI | 1.26 | 1.27 | 1.27 | 1.27 | 1.34 | 1.34 | 1.34 | 1.34 | 1.42 | 1.42 | 1.42 | 1.43 | 1.51 | 1.51 | 1.51 | 1.51 |
| | 5 | TC | 24705 | 24738 | 24766 | 24800 | 26190 | 26221 | 26252 | 26283 | 27755 | 27791 | 27827 | 27858 | 29428 | 29460 | 29497 | 29534 |
| | | S/T | 0.22 | 0.26 | 0.29 | 0.33 | 0.23 | 0.27 | 0.31 | 0.35 | 0.25 | 0.29 | 0.33 | 0.38 | 0.26 | 0.31 | 0.35 | 0.40 |
| | | PI | 1.30 | 1.30 | 1.30 | 1.30 | 1.38 | 1.38 | 1.38 | 1.38 | 1.46 | 1.46 | 1.46 | 1.46 | 1.55 | 1.55 | 1.55 | 1.55 |
| | 14 | TC | 24468 | 24501 | 24528 | 24561 | 25938 | 25969 | 26000 | 26031 | 27488 | 27524 | 27560 | 27590 | 29145 | 29177 | 29213 | 29250 |
| | | S/T | 0.22 | 0.26 | 0.29 | 0.34 | 0.23 | 0.27 | 0.31 | 0.36 | 0.25 | 0.29 | 0.33 | 0.38 | 0.26 | 0.31 | 0.35 | 0.40 |
| | | PI | 1.36 | 1.36 | 1.36 | 1.36 | 1.44 | 1.44 | 1.44 | 1.45 | 1.53 | 1.53 | 1.53 | 1.53 | 1.62 | 1.62 | 1.62 | 1.62 |
| | 17 | TC | 24388 | 24421 | 24449 | 24482 | 25854 | 25885 | 25916 | 25946 | 27399 | 27435 | 27470 | 27501 | 29051 | 29083 | 29119 | 29155 |
| | | S/T | 0.22 | 0.26 | 0.29 | 0.34 | 0.23 | 0.28 | 0.31 | 0.36 | 0.25 | 0.29 | 0.33 | 0.38 | 0.26 | 0.31 | 0.35 | 0.40 |
| | | PI | 1.38 | 1.38 | 1.38 | 1.38 | 1.46 | 1.46 | 1.47 | 1.47 | 1.55 | 1.55 | 1.55 | 1.55 | 1.64 | 1.64 | 1.65 | 1.65 |
| | 23 | TC | 24283 | 24316 | 24343 | 24376 | 25742 | 25773 | 25803 | 25834 | 27281 | 27316 | 27352 | 27382 | 28925 | 28957 | 28993 | 29029 |
| | | S/T | 0.22 | 0.26 | 0.30 | 0.34 | 0.24 | 0.28 | 0.31 | 0.36 | 0.25 | 0.29 | 0.33 | 0.38 | 0.26 | 0.31 | 0.35 | 0.40 |
| | | PI | 1.41 | 1.41 | 1.41 | 1.41 | 1.49 | 1.49 | 1.49 | 1.50 | 1.58 | 1.58 | 1.58 | 1.59 | 1.67 | 1.68 | 1.68 | 1.68 |
| | 32 | TC | 24124 | 24157 | 24184 | 24217 | 25574 | 25605 | 25635 | 25666 | 27103 | 27138 | 27173 | 27204 | 28737 | 28768 | 28804 | 28839 |
| | | S/T | 0.22 | 0.26 | 0.30 | 0.34 | 0.24 | 0.28 | 0.32 | 0.36 | 0.25 | 0.29 | 0.33 | 0.38 | 0.27 | 0.31 | 0.35 | 0.40 |
| | | PI | 1.45 | 1.45 | 1.45 | 1.45 | 1.53 | 1.54 | 1.54 | 1.54 | 1.62 | 1.63 | 1.63 | 1.63 | 1.72 | 1.72 | 1.73 | 1.73 |
| 41 | TC | 23913 | 23945 | 23972 | 24005 | 25351 | 25381 | 25411 | 25441 | 26885 | 26900 | 26935 | 26965 | 28485 | 28516 | 28551 | 28587 | |
| | S/T | 0.22 | 0.26 | 0.30 | 0.34 | 0.24 | 0.28 | 0.32 | 0.36 | 0.25 | 0.30 | 0.34 | 0.38 | 0.27 | 0.31 | 0.36 | 0.41 | |
| | PI | 1.50 | 1.50 | 1.50 | 1.51 | 1.59 | 1.59 | 1.59 | 1.60 | 1.69 | 1.69 | 1.69 | 1.69 | 1.79 | 1.79 | 1.79 | 1.79 | |
| 47 | TC | 23755 | 23787 | 23814 | 23846 | 25183 | 25213 | 25242 | 25272 | 26688 | 26722 | 26757 | 26787 | 28296 | 28327 | 28362 | 28398 | |
| | S/T | 0.22 | 0.26 | 0.30 | 0.34 | 0.24 | 0.28 | 0.32 | 0.36 | 0.25 | 0.30 | 0.34 | 0.38 | 0.27 | 0.31 | 0.36 | 0.41 | |
| | PI | 1.54 | 1.54 | 1.54 | 1.55 | 1.63 | 1.64 | 1.64 | 1.64 | 1.73 | 1.73 | 1.74 | 1.74 | 1.84 | 1.84 | 1.84 | 1.84 | |
| 50 | TC | 23747 | 23779 | 23806 | 23838 | 25175 | 25204 | 25234 | 25264 | 26679 | 26714 | 26748 | 26778 | 28287 | 28318 | 28353 | 28389 | |
| | S/T | 0.23 | 0.26 | 0.30 | 0.34 | 0.24 | 0.28 | 0.32 | 0.36 | 0.25 | 0.30 | 0.34 | 0.38 | 0.27 | 0.31 | 0.36 | 0.41 | |
| | PI | 1.55 | 1.55 | 1.55 | 1.55 | 1.64 | 1.64 | 1.65 | 1.65 | 1.74 | 1.74 | 1.74 | 1.75 | 1.84 | 1.85 | 1.85 | 1.85 | |
| 59 | TC | 23724 | 23756 | 23783 | 23815 | 25150 | 25180 | 25210 | 25240 | 26653 | 26688 | 26723 | 26752 | 28260 | 28291 | 28326 | 28361 | |
| | S/T | 0.23 | 0.27 | 0.30 | 0.34 | 0.24 | 0.28 | 0.32 | 0.36 | 0.25 | 0.30 | 0.34 | 0.39 | 0.27 | 0.32 | 0.36 | 0.41 | |
| | PI | 1.57 | 1.57 | 1.57 | 1.58 | 1.66 | 1.67 | 1.67 | 1.67 | 1.76 | 1.77 | 1.77 | 1.77 | 1.87 | 1.87 | 1.87 | 1.88 | |
| 68 | TC | 23702 | 23734 | 23760 | 23792 | 25126 | 25156 | 25186 | 25216 | 26628 | 26662 | 26697 | 26727 | 28233 | 28264 | 28299 | 28334 | |
| | S/T | 0.23 | 0.27 | 0.30 | 0.35 | 0.24 | 0.28 | 0.32 | 0.37 | 0.26 | 0.30 | 0.34 | 0.39 | 0.27 | 0.32 | 0.36 | 0.41 | |
| | PI | 1.59 | 1.59 | 1.60 | 1.60 | 1.69 | 1.69 | 1.69 | 1.69 | 1.79 | 1.79 | 1.79 | 1.80 | 1.90 | 1.90 | 1.90 | 1.90 | |
| 77 | TC | 23679 | 23711 | 23737 | 23769 | 25102 | 25132 | 25161 | 25191 | 26602 | 26637 | 26671 | 26701 | 28206 | 28236 | 28271 | 28307 | |
| | S/T | 0.23 | 0.27 | 0.31 | 0.36 | 0.25 | 0.29 | 0.33 | 0.38 | 0.26 | 0.31 | 0.35 | 0.40 | 0.28 | 0.33 | 0.37 | 0.42 | |
| | PI | 1.61 | 1.62 | 1.62 | 1.62 | 1.71 | 1.71 | 1.72 | 1.72 | 1.81 | 1.82 | 1.82 | 1.82 | 1.92 | 1.93 | 1.93 | 1.93 | |
| 86 | TC | 22744 | 22774 | 22800 | 22830 | 24111 | 24139 | 24168 | 24196 | 25551 | 25585 | 25618 | 25646 | 27092 | 27121 | 27155 | 27189 | |
| | S/T | 0.24 | 0.28 | 0.32 | 0.36 | 0.25 | 0.29 | 0.33 | 0.38 | 0.27 | 0.31 | 0.35 | 0.40 | 0.28 | 0.33 | 0.38 | 0.43 | |
| | PI | 1.84 | 1.84 | 1.84 | 1.84 | 1.95 | 1.95 | 1.95 | 1.95 | 2.06 | 2.07 | 2.07 | 2.07 | 2.19 | 2.19 | 2.19 | 2.20 | |
| 95 | TC | 22510 | 22540 | 22566 | 22596 | 23863 | 23891 | 23920 | 23948 | 25289 | 25322 | 25355 | 25383 | 26814 | 26843 | 26876 | 26910 | |
| | S/T | 0.24 | 0.28 | 0.32 | 0.37 | 0.26 | 0.30 | 0.34 | 0.39 | 0.27 | 0.32 | 0.36 | 0.41 | 0.29 | 0.34 | 0.39 | 0.44 | |
| | PI | 1.91 | 1.91 | 1.91 | 1.91 | 2.02 | 2.02 | 2.03 | 2.03 | 2.14 | 2.14 | 2.15 | 2.15 | 2.27 | 2.27 | 2.28 | 2.28 | |
| 104 | TC | 19329 | 19355 | 19377 | 19403 | 20491 | 20515 | 20539 | 20564 | 21715 | 21743 | 21772 | 21796 | 23024 | 23049 | 23078 | 23107 | |
| | S/T | 0.25 | 0.30 | 0.34 | 0.39 | 0.27 | 0.32 | 0.36 | 0.41 | 0.29 | 0.34 | 0.38 | 0.44 | 0.30 | 0.36 | 0.40 | 0.46 | |
| | PI | 4.00 | 4.01 | 4.01 | 4.02 | 4.24 | 4.25 | 4.25 | 4.26 | 4.49 | 4.50 | 4.51 | 4.51 | 4.77 | 4.77 | 4.78 | 4.78 | |
| 114.8 | TC | 15512 | 15532 | 15550 | 15571 | 16444 | 16463 | 16483 | 16502 | 17427 | 17449 | 17472 | 17491 | 18477 | 18497 | 18520 | 18543 | |
| | S/T | 0.26 | 0.30 | 0.34 | 0.39 | 0.27 | 0.32 | 0.36 | 0.42 | 0.29 | 0.34 | 0.39 | 0.44 | 0.31 | 0.36 | 0.41 | 0.47 | |
| | PI | 6.51 | 6.52 | 6.53 | 6.54 | 6.91 | 6.91 | 6.92 | 6.93 | 7.32 | 7.33 | 7.34 | 7.35 | 7.76 | 7.77 | 7.78 | 7.79 | |
| 122 | TC | 12967 | 12984 | 12999 | 13016 | 13746 | 13762 | 13779 | 13795 | 14567 | 14586 | 14605 | 14622 | 15446 | 15462 | 15482 | 15501 | |
| | S/T | 0.27 | 0.31 | 0.36 | 0.41 | 0.28 | 0.33 | 0.38 | 0.43 | 0.30 | 0.35 | 0.40 | 0.46 | 0.32 | 0.37 | 0.42 | 0.48 | |
| | PI | 8.19 | 8.20 | 8.21 | 8.22 | 8.68 | 8.69 | 8.70 | 8.71 | 9.20 | 9.21 | 9.23 | 9.24 | 9.76 | 9.77 | 9.78 | 9.79 | |

NON-DUCTED COOLING PERFORMANCE 48HH (Sheet 2 of 4)

| AIRFLOW (CFM) | OUTDOOR DB (°F) | ID WB (°F) | NON-DUCTED COOLING PERFORMANCE 48HH (Sheet 2 of 4) | | | | | | | | | | | | | | | |
|---------------|-----------------|------------|--|-------|-------|-------|-------|-------|-------|-------|-------|-------|-------|-------|-------|-------|-------|-------|
| | | | 60.8 | | | | 64.4 | | | | 66.2 | | | | 71.6 | | | |
| | | | ID DB (°F) | 73.4 | 77.0 | 80.6 | 84.2 | 73.4 | 77.0 | 80.6 | 84.2 | 73.4 | 77.0 | 80.0 | 84.20 | 73.4 | 77.0 | 80.6 |
| 1068 | -22 | TC | 32777 | 32821 | 32858 | 32903 | 34747 | 34789 | 34830 | 34871 | 36824 | 36872 | 36920 | 36961 | 39044 | 39086 | 39135 | 39183 |
| | | S/T | 0.32 | 0.38 | 0.43 | 0.49 | 0.34 | 0.40 | 0.45 | 0.52 | 0.36 | 0.42 | 0.48 | 0.55 | 0.38 | 0.45 | 0.51 | 0.58 |
| | | PI | 1.65 | 1.65 | 1.65 | 1.65 | 1.74 | 1.75 | 1.75 | 1.75 | 1.85 | 1.85 | 1.85 | 1.86 | 1.96 | 1.96 | 1.97 | 1.97 |
| | -10 | TC | 32369 | 32412 | 32449 | 32493 | 34314 | 34355 | 34396 | 34437 | 36365 | 36412 | 36460 | 36500 | 38557 | 38599 | 38647 | 38695 |
| | | S/T | 0.32 | 0.38 | 0.43 | 0.49 | 0.34 | 0.40 | 0.46 | 0.52 | 0.36 | 0.43 | 0.48 | 0.55 | 0.38 | 0.45 | 0.51 | 0.58 |
| | | PI | 1.77 | 1.77 | 1.77 | 1.77 | 1.87 | 1.87 | 1.88 | 1.88 | 1.98 | 1.99 | 1.99 | 1.99 | 2.10 | 2.11 | 2.11 | 2.11 |
| | 0 | TC | 32029 | 32072 | 32108 | 32151 | 33954 | 33994 | 34034 | 34074 | 35983 | 36029 | 36076 | 36116 | 38152 | 38193 | 38241 | 38288 |
| | | S/T | 0.32 | 0.38 | 0.43 | 0.49 | 0.34 | 0.40 | 0.46 | 0.52 | 0.37 | 0.43 | 0.49 | 0.55 | 0.39 | 0.45 | 0.52 | 0.59 |
| | | PI | 1.87 | 1.87 | 1.87 | 1.87 | 1.98 | 1.98 | 1.98 | 1.98 | 2.10 | 2.10 | 2.10 | 2.10 | 2.22 | 2.22 | 2.23 | 2.23 |
| | 5 | TC | 31858 | 31901 | 31937 | 31980 | 33773 | 33813 | 33853 | 33893 | 35791 | 35838 | 35884 | 35924 | 37949 | 37990 | 38038 | 38085 |
| | | S/T | 0.33 | 0.38 | 0.43 | 0.50 | 0.35 | 0.41 | 0.46 | 0.53 | 0.37 | 0.43 | 0.49 | 0.56 | 0.39 | 0.46 | 0.52 | 0.59 |
| | | PI | 1.92 | 1.92 | 1.92 | 1.92 | 2.03 | 2.03 | 2.04 | 2.04 | 2.15 | 2.15 | 2.16 | 2.16 | 2.28 | 2.28 | 2.29 | 2.29 |
| | 14 | TC | 31552 | 31594 | 31630 | 31673 | 33448 | 33488 | 33528 | 33568 | 35447 | 35493 | 35539 | 35579 | 37584 | 37625 | 37672 | 37719 |
| | | S/T | 0.33 | 0.38 | 0.44 | 0.50 | 0.35 | 0.41 | 0.46 | 0.53 | 0.37 | 0.43 | 0.49 | 0.56 | 0.39 | 0.46 | 0.52 | 0.59 |
| | | PI | 2.01 | 2.01 | 2.01 | 2.01 | 2.13 | 2.13 | 2.13 | 2.13 | 2.25 | 2.26 | 2.26 | 2.26 | 2.39 | 2.39 | 2.39 | 2.40 |
| | 17 | TC | 31450 | 31492 | 31528 | 31570 | 33340 | 33380 | 33419 | 33459 | 35332 | 35378 | 35424 | 35464 | 37462 | 37503 | 37550 | 37597 |
| | | S/T | 0.33 | 0.39 | 0.44 | 0.50 | 0.35 | 0.41 | 0.46 | 0.53 | 0.37 | 0.43 | 0.49 | 0.56 | 0.39 | 0.46 | 0.52 | 0.59 |
| | | PI | 2.04 | 2.04 | 2.04 | 2.04 | 2.16 | 2.16 | 2.16 | 2.17 | 2.29 | 2.29 | 2.29 | 2.29 | 2.42 | 2.43 | 2.43 | 2.43 |
| | 23 | TC | 31314 | 31356 | 31391 | 31433 | 33196 | 33235 | 33275 | 33314 | 35180 | 35225 | 35271 | 35310 | 37300 | 37341 | 37387 | 37434 |
| | | S/T | 0.33 | 0.39 | 0.44 | 0.50 | 0.35 | 0.41 | 0.47 | 0.53 | 0.37 | 0.43 | 0.49 | 0.56 | 0.39 | 0.46 | 0.52 | 0.60 |
| | | PI | 2.07 | 2.08 | 2.08 | 2.08 | 2.20 | 2.20 | 2.20 | 2.21 | 2.33 | 2.33 | 2.34 | 2.34 | 2.47 | 2.47 | 2.48 | 2.48 |
| | 32 | TC | 31110 | 31151 | 31186 | 31228 | 32979 | 33018 | 33058 | 33097 | 34950 | 34995 | 35041 | 35080 | 37057 | 37097 | 37143 | 37190 |
| | | S/T | 0.33 | 0.39 | 0.44 | 0.50 | 0.35 | 0.41 | 0.47 | 0.53 | 0.37 | 0.44 | 0.50 | 0.56 | 0.39 | 0.46 | 0.53 | 0.60 |
| | | PI | 2.13 | 2.14 | 2.14 | 2.14 | 2.26 | 2.27 | 2.27 | 2.27 | 2.40 | 2.40 | 2.40 | 2.41 | 2.54 | 2.55 | 2.55 | 2.55 |
| | 41 | TC | 30837 | 30879 | 30913 | 30955 | 32691 | 32729 | 32768 | 32807 | 34644 | 34689 | 34734 | 34773 | 36733 | 36773 | 36818 | 36864 |
| | | S/T | 0.33 | 0.39 | 0.44 | 0.51 | 0.35 | 0.41 | 0.47 | 0.54 | 0.37 | 0.44 | 0.50 | 0.57 | 0.40 | 0.46 | 0.53 | 0.60 |
| | | PI | 2.21 | 2.22 | 2.22 | 2.22 | 2.35 | 2.35 | 2.35 | 2.36 | 2.49 | 2.49 | 2.49 | 2.50 | 2.64 | 2.64 | 2.64 | 2.65 |
| | 47 | TC | 30633 | 30674 | 30709 | 30750 | 32474 | 32513 | 32551 | 32590 | 34415 | 34459 | 34504 | 34543 | 36489 | 36529 | 36575 | 36620 |
| | | S/T | 0.33 | 0.39 | 0.44 | 0.51 | 0.35 | 0.41 | 0.47 | 0.54 | 0.37 | 0.44 | 0.50 | 0.57 | 0.40 | 0.47 | 0.53 | 0.60 |
| | | PI | 2.27 | 2.28 | 2.28 | 2.28 | 2.41 | 2.41 | 2.42 | 2.42 | 2.56 | 2.56 | 2.56 | 2.56 | 2.71 | 2.71 | 2.72 | 2.72 |
| | 50 | TC | 30623 | 30664 | 30699 | 30740 | 32464 | 32502 | 32541 | 32579 | 34404 | 34448 | 34493 | 34532 | 36478 | 36517 | 36563 | 36608 |
| | | S/T | 0.33 | 0.39 | 0.45 | 0.51 | 0.35 | 0.42 | 0.47 | 0.54 | 0.38 | 0.44 | 0.50 | 0.57 | 0.40 | 0.47 | 0.53 | 0.60 |
| | | PI | 2.29 | 2.29 | 2.29 | 2.29 | 2.42 | 2.43 | 2.43 | 2.43 | 2.57 | 2.57 | 2.57 | 2.58 | 2.72 | 2.73 | 2.73 | 2.73 |
| | 59 | TC | 30594 | 30635 | 30669 | 30711 | 32433 | 32471 | 32509 | 32548 | 34371 | 34415 | 34460 | 34498 | 36443 | 36482 | 36528 | 36573 |
| | | S/T | 0.34 | 0.39 | 0.45 | 0.51 | 0.36 | 0.42 | 0.47 | 0.54 | 0.38 | 0.44 | 0.50 | 0.57 | 0.40 | 0.47 | 0.53 | 0.61 |
| | | PI | 2.32 | 2.32 | 2.32 | 2.33 | 2.46 | 2.46 | 2.46 | 2.47 | 2.60 | 2.61 | 2.61 | 2.61 | 2.76 | 2.76 | 2.77 | 2.77 |
| | 68 | TC | 30564 | 30605 | 30640 | 30681 | 32401 | 32440 | 32478 | 32517 | 34338 | 34382 | 34427 | 34465 | 36408 | 36447 | 36492 | 36538 |
| | | S/T | 0.34 | 0.40 | 0.45 | 0.51 | 0.36 | 0.42 | 0.48 | 0.54 | 0.38 | 0.44 | 0.51 | 0.58 | 0.40 | 0.47 | 0.54 | 0.61 |
| | | PI | 2.35 | 2.35 | 2.36 | 2.36 | 2.49 | 2.49 | 2.50 | 2.50 | 2.64 | 2.64 | 2.65 | 2.65 | 2.80 | 2.80 | 2.81 | 2.81 |
| | 77 | TC | 30535 | 30576 | 30610 | 30651 | 32370 | 32408 | 32447 | 32485 | 34304 | 34349 | 34394 | 34432 | 36372 | 36412 | 36457 | 36503 |
| | | S/T | 0.35 | 0.41 | 0.46 | 0.53 | 0.37 | 0.43 | 0.49 | 0.56 | 0.39 | 0.46 | 0.52 | 0.59 | 0.41 | 0.48 | 0.55 | 0.63 |
| | | PI | 2.38 | 2.39 | 2.39 | 2.39 | 2.53 | 2.53 | 2.53 | 2.54 | 2.68 | 2.68 | 2.68 | 2.69 | 2.84 | 2.84 | 2.85 | 2.85 |
| | 86 | TC | 29329 | 29368 | 29401 | 29441 | 31092 | 31128 | 31165 | 31202 | 32950 | 32992 | 33035 | 33072 | 34936 | 34974 | 35017 | 35061 |
| | | S/T | 0.35 | 0.41 | 0.47 | 0.53 | 0.37 | 0.44 | 0.50 | 0.57 | 0.39 | 0.46 | 0.53 | 0.60 | 0.42 | 0.49 | 0.56 | 0.64 |
| | | PI | 2.71 | 2.72 | 2.72 | 2.72 | 2.88 | 2.88 | 2.88 | 2.89 | 3.05 | 3.05 | 3.05 | 3.06 | 3.23 | 3.23 | 3.24 | 3.24 |
| | 95 | TC | 29028 | 29067 | 29100 | 29139 | 30773 | 30809 | 30846 | 30882 | 32611 | 32654 | 32696 | 32733 | 34577 | 34615 | 34658 | 34701 |
| | | S/T | 0.36 | 0.42 | 0.48 | 0.55 | 0.38 | 0.45 | 0.51 | 0.58 | 0.40 | 0.47 | 0.54 | 0.61 | 0.43 | 0.50 | 0.57 | 0.65 |
| | | PI | 2.81 | 2.82 | 2.82 | 2.82 | 2.98 | 2.99 | 2.99 | 2.99 | 3.16 | 3.16 | 3.17 | 3.17 | 3.35 | 3.35 | 3.36 | 3.36 |
| | 104 | TC | 24926 | 24959 | 24987 | 25021 | 26424 | 26455 | 26486 | 26518 | 28003 | 28039 | 28076 | 28107 | 29691 | 29723 | 29760 | 29797 |
| | | S/T | 0.38 | 0.44 | 0.50 | 0.57 | 0.40 | 0.47 | 0.53 | 0.61 | 0.42 | 0.50 | 0.57 | 0.65 | 0.45 | 0.53 | 0.60 | 0.68 |
| | | PI | 5.91 | 5.91 | 5.92 | 5.93 | 6.26 | 6.27 | 6.27 | 6.28 | 6.63 | 6.64 | 6.65 | 6.66 | 7.03 | 7.04 | 7.05 | 7.06 |
| | 114.8 | TC | 20003 | 20030 | 20052 | 20079 | 21205 | 21230 | 21255 | 21281 | 22472 | 22501 | 22531 | 22556 | 23827 | 23853 | 23883 | 23912 |
| | | S/T | 0.38 | 0.45 | 0.51 | 0.58 | 0.41 | 0.48 | 0.54 | 0.62 | 0.43 | 0.50 | 0.57 | 0.65 | 0.46 | 0.53 | 0.61 | 0.69 |
| | | PI | 9.62 | 9.63 | 9.64 | 9.65 | 10.19 | 10.21 | 10.22 | 10.23 | 10.80 | 10.82 | 10.83 | 10.84 | 11.45 | 11.47 | 11.48 | 11.49 |
| | 122 | TC | 16721 | 16744 | 16762 | 16785 | 17726 | 17747 | 17768 | 17789 | 18785 | 18810 | 18834 | 18855 | 19918 | 19939 | 19964 | 19989 |
| | | S/T | 0.40 | 0.46 | 0.53 | 0.60 | 0.42 | 0.49 | 0.56 | 0.64 | 0.44 | 0.52 | 0.59 | 0.68 | 0.47 | 0.55 | 0.63 | 0.72 |
| | | PI | 12.09 | 12.11 | 12.12 | 12.14 | 12.82 | 12.83 | 12.85 | 12.86 | 13.58 | 13.60 | 13.62 | 13.63 | 14.40 | 14.42 | 14.43 | 14.45 |

NON-DUCTED COOLING PERFORMANCE 48HH (Sheet 3 of 4)

| AIRFLOW (CFM) | OUTDOOR DB (°F) | ID WB (°F) | NON-DUCTED COOLING PERFORMANCE 48HH (Sheet 3 of 4) | | | | | | | | | | | | | | | |
|---------------|-----------------|------------|--|-------|-------|-------|-------|-------|-------|-------|-------|-------|-------|-------|-------|-------|-------|-------|
| | | | 60.8 | | | | 64.4 | | | | 66.2 | | | | 71.6 | | | |
| | | | ID DB (°F) | 73.4 | 77.0 | 80.6 | 84.2 | 73.4 | 77.0 | 80.6 | 84.2 | 73.4 | 77.0 | 80.0 | 84.20 | 73.4 | 77.0 | 80.6 |
| 1600 | -22 | TC | 48619 | 48684 | 48739 | 48804 | 51541 | 51602 | 51663 | 51724 | 54621 | 54691 | 54763 | 54824 | 57913 | 57976 | 58048 | 58121 |
| | | S/T | 0.48 | 0.56 | 0.63 | 0.72 | 0.50 | 0.59 | 0.67 | 0.77 | 0.53 | 0.63 | 0.71 | 0.81 | 0.57 | 0.67 | 0.76 | 0.86 |
| | | PI | 2.44 | 2.44 | 2.45 | 2.45 | 2.59 | 2.59 | 2.59 | 2.60 | 2.74 | 2.75 | 2.75 | 2.75 | 2.91 | 2.91 | 2.92 | 2.92 |
| | -10 | TC | 48013 | 48077 | 48131 | 48196 | 50898 | 50959 | 51019 | 51080 | 53940 | 54010 | 54080 | 54141 | 57192 | 57254 | 57325 | 57396 |
| | | S/T | 0.48 | 0.56 | 0.64 | 0.73 | 0.51 | 0.60 | 0.68 | 0.77 | 0.54 | 0.63 | 0.72 | 0.82 | 0.57 | 0.67 | 0.76 | 0.87 |
| | | PI | 2.62 | 2.62 | 2.63 | 2.63 | 2.78 | 2.78 | 2.78 | 2.79 | 2.94 | 2.95 | 2.95 | 2.95 | 3.12 | 3.12 | 3.13 | 3.13 |
| | 0 | TC | 47508 | 47572 | 47625 | 47689 | 50363 | 50423 | 50483 | 50542 | 53373 | 53442 | 53512 | 53571 | 56590 | 56652 | 56722 | 56793 |
| | | S/T | 0.48 | 0.57 | 0.64 | 0.73 | 0.51 | 0.60 | 0.68 | 0.78 | 0.54 | 0.64 | 0.72 | 0.82 | 0.57 | 0.67 | 0.77 | 0.87 |
| | | PI | 2.77 | 2.77 | 2.77 | 2.78 | 2.93 | 2.94 | 2.94 | 2.94 | 3.11 | 3.11 | 3.12 | 3.12 | 3.30 | 3.30 | 3.30 | 3.31 |
| | 5 | TC | 47255 | 47319 | 47372 | 47436 | 50096 | 50155 | 50214 | 50274 | 53089 | 53158 | 53227 | 53287 | 56290 | 56351 | 56421 | 56491 |
| | | S/T | 0.48 | 0.57 | 0.64 | 0.73 | 0.51 | 0.60 | 0.68 | 0.78 | 0.54 | 0.64 | 0.72 | 0.83 | 0.58 | 0.68 | 0.77 | 0.88 |
| | | PI | 2.84 | 2.84 | 2.85 | 2.85 | 3.01 | 3.02 | 3.02 | 3.02 | 3.19 | 3.20 | 3.20 | 3.20 | 3.38 | 3.39 | 3.39 | 3.40 |
| | 14 | TC | 46801 | 46864 | 46917 | 46980 | 49614 | 49673 | 49732 | 49791 | 52579 | 52647 | 52715 | 52774 | 55748 | 55809 | 55878 | 55948 |
| | | S/T | 0.49 | 0.57 | 0.65 | 0.74 | 0.51 | 0.60 | 0.69 | 0.78 | 0.55 | 0.64 | 0.73 | 0.83 | 0.58 | 0.68 | 0.77 | 0.88 |
| | | PI | 2.97 | 2.98 | 2.98 | 2.99 | 3.15 | 3.16 | 3.16 | 3.16 | 3.34 | 3.35 | 3.35 | 3.35 | 3.54 | 3.55 | 3.55 | 3.56 |
| | 17 | TC | 46650 | 46712 | 46765 | 46828 | 49453 | 49512 | 49571 | 49629 | 52408 | 52477 | 52545 | 52603 | 55568 | 55628 | 55697 | 55767 |
| | | S/T | 0.49 | 0.57 | 0.65 | 0.74 | 0.52 | 0.61 | 0.69 | 0.78 | 0.55 | 0.64 | 0.73 | 0.83 | 0.58 | 0.68 | 0.77 | 0.88 |
| | | PI | 3.02 | 3.02 | 3.03 | 3.03 | 3.20 | 3.20 | 3.21 | 3.21 | 3.39 | 3.40 | 3.40 | 3.40 | 3.60 | 3.60 | 3.60 | 3.61 |
| | 23 | TC | 46448 | 46510 | 46562 | 46625 | 49239 | 49298 | 49356 | 49415 | 52182 | 52249 | 52317 | 52376 | 55327 | 55387 | 55456 | 55525 |
| | | S/T | 0.49 | 0.57 | 0.65 | 0.74 | 0.52 | 0.61 | 0.69 | 0.79 | 0.55 | 0.64 | 0.73 | 0.83 | 0.58 | 0.68 | 0.78 | 0.88 |
| | | PI | 3.08 | 3.08 | 3.09 | 3.09 | 3.26 | 3.27 | 3.27 | 3.27 | 3.46 | 3.46 | 3.47 | 3.47 | 3.67 | 3.67 | 3.67 | 3.68 |
| | 32 | TC | 46145 | 46207 | 46259 | 46321 | 48918 | 48976 | 49034 | 49092 | 51841 | 51909 | 51976 | 52034 | 54966 | 55026 | 55095 | 55163 |
| | | S/T | 0.49 | 0.58 | 0.65 | 0.75 | 0.52 | 0.61 | 0.69 | 0.79 | 0.55 | 0.65 | 0.74 | 0.84 | 0.58 | 0.69 | 0.78 | 0.89 |
| | | PI | 3.17 | 3.17 | 3.17 | 3.18 | 3.36 | 3.36 | 3.36 | 3.37 | 3.56 | 3.56 | 3.57 | 3.57 | 3.77 | 3.78 | 3.78 | 3.79 |
| | 41 | TC | 45741 | 45802 | 45854 | 45916 | 48490 | 48547 | 48605 | 48663 | 51388 | 51454 | 51521 | 51579 | 54485 | 54545 | 54612 | 54680 |
| | | S/T | 0.49 | 0.58 | 0.66 | 0.75 | 0.52 | 0.61 | 0.70 | 0.79 | 0.55 | 0.65 | 0.74 | 0.84 | 0.59 | 0.69 | 0.78 | 0.89 |
| | | PI | 3.28 | 3.29 | 3.29 | 3.30 | 3.48 | 3.49 | 3.49 | 3.49 | 3.69 | 3.70 | 3.70 | 3.70 | 3.91 | 3.92 | 3.92 | 3.93 |
| | 47 | TC | 45438 | 45499 | 45550 | 45611 | 48169 | 48226 | 48283 | 48340 | 51047 | 51114 | 51180 | 51237 | 54125 | 54183 | 54251 | 54318 |
| | | S/T | 0.49 | 0.58 | 0.66 | 0.75 | 0.52 | 0.61 | 0.70 | 0.80 | 0.56 | 0.65 | 0.74 | 0.84 | 0.59 | 0.69 | 0.78 | 0.89 |
| | | PI | 3.37 | 3.38 | 3.38 | 3.39 | 3.58 | 3.58 | 3.58 | 3.59 | 3.79 | 3.80 | 3.80 | 3.80 | 4.02 | 4.02 | 4.03 | 4.03 |
| | 50 | TC | 45423 | 45484 | 45535 | 45597 | 48153 | 48210 | 48268 | 48325 | 51031 | 51097 | 51164 | 51221 | 54107 | 54166 | 54233 | 54301 |
| | | S/T | 0.50 | 0.58 | 0.66 | 0.75 | 0.53 | 0.62 | 0.70 | 0.80 | 0.56 | 0.65 | 0.74 | 0.85 | 0.59 | 0.69 | 0.79 | 0.90 |
| | | PI | 3.39 | 3.39 | 3.40 | 3.40 | 3.59 | 3.60 | 3.60 | 3.61 | 3.81 | 3.81 | 3.82 | 3.82 | 4.04 | 4.04 | 4.05 | 4.05 |
| | 59 | TC | 45380 | 45441 | 45492 | 45553 | 48107 | 48164 | 48221 | 48278 | 50982 | 51048 | 51114 | 51171 | 54055 | 54114 | 54181 | 54249 |
| | | S/T | 0.50 | 0.58 | 0.66 | 0.76 | 0.53 | 0.62 | 0.70 | 0.80 | 0.56 | 0.66 | 0.75 | 0.85 | 0.59 | 0.70 | 0.79 | 0.90 |
| | | PI | 3.44 | 3.44 | 3.45 | 3.45 | 3.64 | 3.65 | 3.65 | 3.66 | 3.86 | 3.87 | 3.87 | 3.88 | 4.10 | 4.10 | 4.10 | 4.11 |
| | 68 | TC | 45336 | 45397 | 45448 | 45509 | 48061 | 48118 | 48175 | 48232 | 50933 | 50999 | 51065 | 51122 | 54003 | 54062 | 54129 | 54196 |
| | | S/T | 0.50 | 0.59 | 0.67 | 0.76 | 0.53 | 0.62 | 0.71 | 0.81 | 0.56 | 0.66 | 0.75 | 0.86 | 0.60 | 0.70 | 0.80 | 0.91 |
| | | PI | 3.49 | 3.49 | 3.50 | 3.50 | 3.70 | 3.70 | 3.70 | 3.71 | 3.92 | 3.92 | 3.93 | 3.93 | 4.15 | 4.16 | 4.16 | 4.17 |
| | 77 | TC | 45292 | 45353 | 45404 | 45465 | 48014 | 48071 | 48128 | 48185 | 50884 | 50950 | 51016 | 51073 | 53951 | 54010 | 54077 | 54144 |
| | | S/T | 0.51 | 0.60 | 0.69 | 0.78 | 0.54 | 0.64 | 0.73 | 0.83 | 0.58 | 0.68 | 0.77 | 0.88 | 0.61 | 0.72 | 0.82 | 0.93 |
| | | PI | 3.53 | 3.54 | 3.54 | 3.55 | 3.75 | 3.75 | 3.76 | 3.76 | 3.97 | 3.98 | 3.98 | 3.99 | 4.21 | 4.22 | 4.22 | 4.23 |
| | 86 | TC | 43503 | 43562 | 43611 | 43670 | 46118 | 46173 | 46227 | 46282 | 48874 | 48937 | 49001 | 49056 | 51820 | 51877 | 51941 | 52006 |
| | | S/T | 0.52 | 0.61 | 0.69 | 0.79 | 0.55 | 0.65 | 0.74 | 0.84 | 0.59 | 0.69 | 0.78 | 0.89 | 0.62 | 0.73 | 0.83 | 0.94 |
| | | PI | 4.02 | 4.03 | 4.03 | 4.04 | 4.26 | 4.27 | 4.27 | 4.28 | 4.52 | 4.53 | 4.53 | 4.54 | 4.79 | 4.80 | 4.80 | 4.81 |
| | 95 | TC | 43057 | 43115 | 43163 | 43221 | 45645 | 45699 | 45753 | 45807 | 48372 | 48435 | 48498 | 48552 | 51288 | 51344 | 51408 | 51472 |
| | | S/T | 0.53 | 0.63 | 0.71 | 0.81 | 0.57 | 0.66 | 0.75 | 0.86 | 0.60 | 0.70 | 0.80 | 0.91 | 0.64 | 0.75 | 0.85 | 0.97 |
| | | PI | 4.17 | 4.18 | 4.18 | 4.19 | 4.42 | 4.43 | 4.43 | 4.44 | 4.69 | 4.69 | 4.70 | 4.71 | 4.97 | 4.98 | 4.98 | 4.99 |
| | 104 | TC | 36972 | 37022 | 37063 | 37113 | 39194 | 39241 | 39287 | 39334 | 41536 | 41590 | 41644 | 41691 | 44040 | 44088 | 44143 | 44198 |
| | | S/T | 0.56 | 0.66 | 0.75 | 0.85 | 0.59 | 0.70 | 0.79 | 0.90 | 0.63 | 0.74 | 0.84 | 0.96 | 0.67 | 0.78 | 0.89 | 1.02 |
| | | PI | 8.76 | 8.77 | 8.78 | 8.79 | 9.29 | 9.30 | 9.31 | 9.32 | 9.84 | 9.85 | 9.87 | 9.88 | 10.43 | 10.44 | 10.46 | 10.47 |
| | 114.8 | TC | 29670 | 29710 | 29743 | 29784 | 31453 | 31491 | 31528 | 31565 | 33333 | 33376 | 33420 | 33457 | 35342 | 35381 | 35425 | 35469 |
| | | S/T | 0.57 | 0.67 | 0.76 | 0.86 | 0.60 | 0.71 | 0.80 | 0.91 | 0.64 | 0.75 | 0.85 | 0.97 | 0.68 | 0.79 | 0.90 | 1.03 |
| | | PI | 14.26 | 14.28 | 14.30 | 14.32 | 15.12 | 15.14 | 15.16 | 15.17 | 16.02 | 16.04 | 16.07 | 16.08 | 16.99 | 17.01 | 17.03 | 17.05 |
| | 122 | TC | 24802 | 24836 | 24863 | 24897 | 26293 | 26324 | 26355 | 26387 | 27864 | 27900 | 27937 | 27968 | 29544 | 29576 | 29613 | 29650 |
| | | S/T | 0.59 | 0.69 | 0.78 | 0.89 | 0.62 | 0.73 | 0.83 | 0.95 | 0.66 | 0.77 | 0.88 | 1.00 | 0.70 | 0.82 | 0.93 | 1.06 |
| | | PI | 17.93 | 17.96 | 17.98 | 18.00 | 19.01 | 19.03 | 19.05 | 19.08 | 20.15 | 20.17 | 20.20 | 20.22 | 21.36 | 21.38 | 21.41 | 21.44 |

NON-DUCTED COOLING PERFORMANCE 48HH (Sheet 4 of 4)

| AIRFLOW (CFM) | OUTDOOR DB (°F) | ID WB (°F) | 60.8 | | | | 64.4 | | | | 66.2 | | | | 71.6 | | | |
|------------------|--------------------|---------------|-------|-------|-------|-------|-------|-------|-------|-------|-------|-------|-------|-------|-------|-------|-------|-------|
| | | ID DB (°F) | 73.4 | 77.0 | 80.6 | 84.2 | 73.4 | 77.0 | 80.6 | 84.2 | 73.4 | 77.0 | 80.0 | 84.20 | 73.4 | 77.0 | 80.6 | 84.2 |
| | | | | | | | | | | | | | | | | | | |
| 1750 | -22 | TC | 52650 | 52721 | 52780 | 52851 | 55814 | 55881 | 55947 | 56013 | 59150 | 59227 | 59304 | 59370 | 62715 | 62784 | 62862 | 62940 |
| | | S/T | 0.52 | 0.60 | 0.69 | 0.78 | 0.55 | 0.64 | 0.73 | 0.83 | 0.58 | 0.68 | 0.77 | 0.88 | 0.61 | 0.72 | 0.82 | 0.93 |
| | | PI | 2.64 | 2.65 | 2.65 | 2.65 | 2.80 | 2.81 | 2.81 | 2.81 | 2.97 | 2.97 | 2.98 | 2.98 | 3.15 | 3.15 | 3.16 | 3.16 |
| | -10 | TC | 51994 | 52064 | 52122 | 52193 | 55119 | 55184 | 55250 | 55315 | 58413 | 58489 | 58565 | 58630 | 61934 | 62001 | 62078 | 62156 |
| | | S/T | 0.52 | 0.61 | 0.69 | 0.79 | 0.55 | 0.65 | 0.73 | 0.84 | 0.58 | 0.68 | 0.78 | 0.89 | 0.62 | 0.73 | 0.82 | 0.94 |
| | | PI | 2.84 | 2.84 | 2.84 | 2.85 | 3.01 | 3.01 | 3.01 | 3.02 | 3.19 | 3.19 | 3.19 | 3.20 | 3.38 | 3.38 | 3.39 | 3.39 |
| | 0 | TC | 51447 | 51516 | 51574 | 51644 | 54539 | 54604 | 54669 | 54734 | 57798 | 57873 | 57949 | 58013 | 61283 | 61349 | 61426 | 61502 |
| | | S/T | 0.52 | 0.61 | 0.70 | 0.79 | 0.55 | 0.65 | 0.74 | 0.84 | 0.59 | 0.69 | 0.78 | 0.89 | 0.62 | 0.73 | 0.83 | 0.94 |
| | | PI | 3.00 | 3.00 | 3.00 | 3.01 | 3.18 | 3.18 | 3.18 | 3.19 | 3.37 | 3.37 | 3.38 | 3.38 | 3.57 | 3.57 | 3.58 | 3.58 |
| | 5 | TC | 51174 | 51243 | 51300 | 51369 | 54250 | 54314 | 54378 | 54443 | 57491 | 57566 | 57641 | 57705 | 60957 | 61023 | 61099 | 61175 |
| | | S/T | 0.52 | 0.61 | 0.70 | 0.80 | 0.55 | 0.65 | 0.74 | 0.84 | 0.59 | 0.69 | 0.78 | 0.89 | 0.62 | 0.73 | 0.83 | 0.95 |
| | | PI | 3.08 | 3.08 | 3.08 | 3.09 | 3.26 | 3.27 | 3.27 | 3.27 | 3.46 | 3.46 | 3.47 | 3.47 | 3.66 | 3.67 | 3.67 | 3.68 |
| | 14 | TC | 50682 | 50750 | 50807 | 50875 | 53728 | 53792 | 53855 | 53919 | 56938 | 57012 | 57087 | 57150 | 60371 | 60437 | 60512 | 60587 |
| | | S/T | 0.53 | 0.62 | 0.70 | 0.80 | 0.56 | 0.65 | 0.74 | 0.85 | 0.59 | 0.69 | 0.79 | 0.90 | 0.63 | 0.74 | 0.84 | 0.95 |
| | | PI | 3.22 | 3.23 | 3.23 | 3.23 | 3.41 | 3.42 | 3.42 | 3.43 | 3.62 | 3.62 | 3.63 | 3.63 | 3.84 | 3.84 | 3.85 | 3.85 |
| | 17 | TC | 50518 | 50586 | 50642 | 50711 | 53554 | 53617 | 53681 | 53745 | 56754 | 56828 | 56902 | 56965 | 60176 | 60241 | 60316 | 60391 |
| | | S/T | 0.53 | 0.62 | 0.70 | 0.80 | 0.56 | 0.66 | 0.75 | 0.85 | 0.59 | 0.69 | 0.79 | 0.90 | 0.63 | 0.74 | 0.84 | 0.95 |
| | | PI | 3.27 | 3.27 | 3.28 | 3.28 | 3.47 | 3.47 | 3.47 | 3.48 | 3.67 | 3.68 | 3.68 | 3.69 | 3.89 | 3.90 | 3.90 | 3.91 |
| | 23 | TC | 50299 | 50367 | 50423 | 50491 | 53322 | 53385 | 53449 | 53512 | 56509 | 56582 | 56656 | 56719 | 59915 | 59980 | 60055 | 60130 |
| | | S/T | 0.53 | 0.62 | 0.70 | 0.80 | 0.56 | 0.66 | 0.75 | 0.85 | 0.59 | 0.70 | 0.79 | 0.90 | 0.63 | 0.74 | 0.84 | 0.96 |
| PI | | 3.33 | 3.34 | 3.34 | 3.35 | 3.53 | 3.54 | 3.54 | 3.55 | 3.74 | 3.75 | 3.75 | 3.76 | 3.97 | 3.97 | 3.98 | 3.98 | |
| 32 | TC | 49971 | 50038 | 50094 | 50162 | 52974 | 53037 | 53100 | 53163 | 56140 | 56213 | 56286 | 56349 | 59524 | 59589 | 59663 | 59738 | |
| | S/T | 0.53 | 0.62 | 0.71 | 0.81 | 0.56 | 0.66 | 0.75 | 0.86 | 0.60 | 0.70 | 0.80 | 0.91 | 0.63 | 0.74 | 0.84 | 0.96 | |
| | PI | 3.43 | 3.43 | 3.44 | 3.44 | 3.64 | 3.64 | 3.64 | 3.65 | 3.85 | 3.86 | 3.86 | 3.87 | 4.08 | 4.09 | 4.09 | 4.10 | |
| 41 | TC | 49534 | 49600 | 49656 | 49723 | 52511 | 52573 | 52635 | 52698 | 55649 | 55721 | 55793 | 55856 | 59003 | 59068 | 59141 | 59215 | |
| | S/T | 0.53 | 0.63 | 0.71 | 0.81 | 0.57 | 0.66 | 0.75 | 0.86 | 0.60 | 0.70 | 0.80 | 0.91 | 0.64 | 0.75 | 0.85 | 0.97 | |
| | PI | 3.56 | 3.56 | 3.57 | 3.57 | 3.77 | 3.78 | 3.78 | 3.78 | 4.00 | 4.00 | 4.01 | 4.01 | 4.24 | 4.24 | 4.25 | 4.25 | |
| 47 | TC | 49206 | 49272 | 49327 | 49394 | 52163 | 52225 | 52287 | 52349 | 55280 | 55352 | 55424 | 55486 | 58613 | 58676 | 58749 | 58822 | |
| | S/T | 0.54 | 0.63 | 0.71 | 0.81 | 0.57 | 0.67 | 0.76 | 0.86 | 0.60 | 0.71 | 0.80 | 0.91 | 0.64 | 0.75 | 0.85 | 0.97 | |
| | PI | 3.65 | 3.66 | 3.66 | 3.67 | 3.87 | 3.88 | 3.88 | 3.89 | 4.10 | 4.11 | 4.12 | 4.12 | 4.35 | 4.36 | 4.36 | 4.37 | |
| 50 | TC | 49190 | 49256 | 49311 | 49378 | 52146 | 52208 | 52270 | 52332 | 55262 | 55334 | 55406 | 55468 | 58594 | 58658 | 58730 | 58804 | |
| | S/T | 0.54 | 0.63 | 0.72 | 0.82 | 0.57 | 0.67 | 0.76 | 0.86 | 0.60 | 0.71 | 0.80 | 0.92 | 0.64 | 0.75 | 0.85 | 0.97 | |
| | PI | 3.67 | 3.68 | 3.68 | 3.68 | 3.89 | 3.90 | 3.90 | 3.91 | 4.12 | 4.13 | 4.13 | 4.14 | 4.37 | 4.38 | 4.38 | 4.39 | |
| 59 | TC | 49142 | 49209 | 49264 | 49330 | 52096 | 52158 | 52220 | 52282 | 55209 | 55281 | 55353 | 55415 | 58537 | 58601 | 58674 | 58747 | |
| | S/T | 0.54 | 0.63 | 0.72 | 0.82 | 0.57 | 0.67 | 0.76 | 0.87 | 0.61 | 0.71 | 0.81 | 0.92 | 0.64 | 0.75 | 0.86 | 0.98 | |
| | PI | 3.72 | 3.73 | 3.73 | 3.74 | 3.95 | 3.95 | 3.96 | 3.96 | 4.18 | 4.19 | 4.19 | 4.20 | 4.43 | 4.44 | 4.45 | 4.45 | |
| 68 | TC | 49095 | 49161 | 49216 | 49283 | 52046 | 52108 | 52169 | 52231 | 55156 | 55228 | 55299 | 55361 | 58481 | 58545 | 58617 | 58690 | |
| | S/T | 0.54 | 0.64 | 0.72 | 0.82 | 0.57 | 0.67 | 0.77 | 0.87 | 0.61 | 0.71 | 0.81 | 0.93 | 0.65 | 0.76 | 0.86 | 0.98 | |
| | PI | 3.78 | 3.78 | 3.78 | 3.79 | 4.00 | 4.01 | 4.01 | 4.02 | 4.24 | 4.25 | 4.25 | 4.26 | 4.50 | 4.50 | 4.51 | 4.51 | |
| 77 | TC | 49048 | 49114 | 49169 | 49235 | 51996 | 52057 | 52119 | 52181 | 55103 | 55174 | 55246 | 55308 | 58425 | 58488 | 58561 | 58634 | |
| | S/T | 0.56 | 0.65 | 0.74 | 0.85 | 0.59 | 0.69 | 0.79 | 0.90 | 0.63 | 0.73 | 0.83 | 0.95 | 0.66 | 0.78 | 0.88 | 1.01 | |
| | PI | 3.83 | 3.83 | 3.84 | 3.84 | 4.06 | 4.06 | 4.07 | 4.07 | 4.30 | 4.31 | 4.31 | 4.32 | 4.56 | 4.56 | 4.57 | 4.58 | |
| 86 | TC | 47111 | 47174 | 47227 | 47291 | 49942 | 50001 | 50061 | 50120 | 52927 | 52995 | 53064 | 53123 | 56117 | 56178 | 56248 | 56318 | |
| | S/T | 0.56 | 0.66 | 0.75 | 0.86 | 0.60 | 0.70 | 0.80 | 0.91 | 0.63 | 0.74 | 0.84 | 0.96 | 0.67 | 0.79 | 0.90 | 1.02 | |
| | PI | 4.36 | 4.36 | 4.37 | 4.37 | 4.62 | 4.62 | 4.63 | 4.63 | 4.89 | 4.90 | 4.91 | 4.91 | 5.19 | 5.19 | 5.20 | 5.21 | |
| 95 | TC | 46627 | 46690 | 46742 | 46805 | 49430 | 49488 | 49547 | 49606 | 52383 | 52451 | 52520 | 52578 | 55541 | 55602 | 55671 | 55740 | |
| | S/T | 0.58 | 0.68 | 0.77 | 0.88 | 0.61 | 0.72 | 0.82 | 0.93 | 0.65 | 0.76 | 0.87 | 0.99 | 0.69 | 0.81 | 0.92 | 1.05 | |
| | PI | 4.52 | 4.52 | 4.53 | 4.54 | 4.79 | 4.80 | 4.80 | 4.81 | 5.08 | 5.08 | 5.09 | 5.10 | 5.38 | 5.39 | 5.40 | 5.40 | |
| 104 | TC | 40038 | 40092 | 40137 | 40191 | 42444 | 42494 | 42545 | 42595 | 44980 | 45039 | 45097 | 45148 | 47692 | 47744 | 47803 | 47863 | |
| | S/T | 0.61 | 0.71 | 0.81 | 0.92 | 0.64 | 0.76 | 0.86 | 0.98 | 0.68 | 0.80 | 0.91 | 1.04 | 0.72 | 0.85 | 0.96 | 1.10 | |
| | PI | 9.49 | 9.50 | 9.51 | 9.52 | 10.06 | 10.07 | 10.08 | 10.09 | 10.66 | 10.67 | 10.68 | 10.70 | 11.30 | 11.31 | 11.33 | 11.34 | |
| 114.8 | TC | 32130 | 32174 | 32210 | 32253 | 34062 | 34102 | 34142 | 34183 | 36097 | 36144 | 36191 | 36231 | 38273 | 38315 | 38362 | 38410 | |
| | S/T | 0.61 | 0.72 | 0.82 | 0.93 | 0.65 | 0.76 | 0.87 | 0.99 | 0.69 | 0.81 | 0.92 | 1.05 | 0.73 | 0.86 | 0.98 | 1.11 | |
| | PI | 15.45 | 15.47 | 15.48 | 15.50 | 16.37 | 16.39 | 16.41 | 16.43 | 17.35 | 17.37 | 17.40 | 17.42 | 18.40 | 18.42 | 18.44 | 18.46 | |
| 122 | TC | 26859 | 26895 | 26925 | 26961 | 28473 | 28507 | 28541 | 28575 | 30175 | 30214 | 30253 | 30287 | 31994 | 32028 | 32068 | 32108 | |
| | S/T | 0.64 | 0.75 | 0.85 | 0.97 | 0.67 | 0.79 | 0.90 | 1.02 | 0.71 | 0.84 | 0.95 | 1.09 | 0.76 | 0.89 | 1.01 | 1.15 | |
| | PI | 19.42 | 19.44 | 19.47 | 19.49 | 20.59 | 20.61 | 20.63 | 20.66 | 21.82 | 21.84 | 21.87 | 21.90 | 23.13 | 23.16 | 23.19 | 23.21 | |

NOTE: Data highlighted in gray is extrapolated data and not actual test data. At 77°F outdoor conditions sweat protection activates causing a decrease in total capacity.

LEGEND

- TC - Total Net Capacity (Btu/hour)
- S/T: Sensible Cooling Capacity Ratio
- PI: Power Input (kW)
- Extrapolated Data

HEATING PERFORMANCE NON-DUCTED

“HEATING PERFORMANCE 18R (STANDARD)” on page 39 “HEATING PERFORMANCE 36HH (HIGHT HEAT)” on page 44
 “HEATING PERFORMANCE 24HH (HIGH HEAT)” on page 41 “HEATING PERFORMANCE 48R (STANDARD)” on page 45
 “HEATING PERFORMANCE 30HH (HIGH HEAT)” on page 42 “HEATING PERFORMANCE 48HH (HIGH HEAT)” on page 46
 “HEATING PERFORMANCE 36R (STANDARD)” on page 43

HEATING PERFORMANCE 18R (STANDARD)

NON-DUCTED HEATING PERFORMANCE 18R (Sheet 1 of 2)

| AIRFLOW (CFM) | OUTDOOR DB (°F) | TC : Total Heating Capacity (BTU/hr) | | | | | PI : Power Input (kW) | | | | |
|---------------|-----------------|--------------------------------------|-------|-------|-------|-------|---------------------------|------|-------|------|------|
| | | Indoor Conditions (DB °F) | | | | | Indoor Conditions (DB °F) | | | | |
| | | 60.8 | 68.0 | 70.0 | 71.6 | 75.2 | 60.8 | 68.0 | 70.00 | 71.6 | 75.2 |
| 328 | -22.0 | 5143 | 5040 | 5015 | 4915 | 4871 | 2.35 | 2.37 | 2.38 | 2.38 | 2.39 |
| | -10.0 | 6226 | 6101 | 6071 | 5949 | 5896 | 2.26 | 2.27 | 2.28 | 2.28 | 2.29 |
| | 0.0 | 7128 | 6985 | 6950 | 6811 | 6750 | 2.18 | 2.19 | 2.20 | 2.20 | 2.21 |
| | 5.0 | 7579 | 7427 | 7390 | 7242 | 7177 | 2.13 | 2.15 | 2.16 | 2.16 | 2.17 |
| | 14.0 | 8390 | 8223 | 8182 | 8018 | 7946 | 2.06 | 2.08 | 2.08 | 2.09 | 2.10 |
| | 17.0 | 8661 | 8488 | 8445 | 8276 | 8202 | 2.04 | 2.05 | 2.06 | 2.06 | 2.07 |
| | 22.0 | 8769 | 8594 | 8551 | 8380 | 8305 | 2.02 | 2.04 | 2.04 | 2.05 | 2.06 |
| | 27.0 | 8878 | 8700 | 8657 | 8483 | 8407 | 2.01 | 2.03 | 2.03 | 2.04 | 2.04 |
| | 32.0 | 8986 | 8806 | 8762 | 8587 | 8510 | 2.00 | 2.01 | 2.02 | 2.02 | 2.03 |
| | 37.0 | 9707 | 9513 | 9466 | 9276 | 9193 | 1.98 | 2.00 | 2.00 | 2.01 | 2.01 |
| | 42.0 | 11349 | 11122 | 11066 | 10845 | 10748 | 1.97 | 1.98 | 1.99 | 1.99 | 2.00 |
| | 44.6 | 12006 | 11766 | 11707 | 11473 | 11369 | 1.96 | 1.97 | 1.98 | 1.98 | 1.99 |
| | 47.0 | 12991 | 12731 | 12667 | 12414 | 12302 | 1.94 | 1.96 | 1.96 | 1.96 | 1.97 |
| | 52.0 | 14632 | 14340 | 14268 | 13983 | 13857 | 1.92 | 1.94 | 1.94 | 1.94 | 1.95 |
| | 57.0 | 16274 | 15948 | 15869 | 15551 | 15411 | 1.90 | 1.92 | 1.92 | 1.92 | 1.93 |
| 62.0 | 17916 | 17557 | 17469 | 17120 | 16966 | 1.88 | 1.90 | 1.90 | 1.90 | 1.91 | |
| 64.4 | 18572 | 18201 | 18110 | 17748 | 17588 | 1.87 | 1.89 | 1.89 | 1.89 | 1.90 | |
| 427 | -22.0 | 6696 | 6562 | 6529 | 6398 | 6341 | 2.38 | 2.40 | 2.40 | 2.41 | 2.42 |
| | -10.0 | 8105 | 7943 | 7903 | 7745 | 7675 | 2.28 | 2.30 | 2.30 | 2.31 | 2.32 |
| | 0.0 | 9279 | 9093 | 9048 | 8867 | 8787 | 2.20 | 2.21 | 2.22 | 2.22 | 2.23 |
| | 5.0 | 9866 | 9669 | 9620 | 9428 | 9343 | 2.16 | 2.17 | 2.18 | 2.18 | 2.19 |
| | 14.0 | 10923 | 10704 | 10651 | 10438 | 10344 | 2.08 | 2.10 | 2.10 | 2.11 | 2.12 |
| | 17.0 | 11275 | 11050 | 10994 | 10775 | 10678 | 2.06 | 2.07 | 2.08 | 2.08 | 2.09 |
| | 22.0 | 11416 | 11188 | 11132 | 10909 | 10811 | 2.04 | 2.06 | 2.07 | 2.07 | 2.08 |
| | 27.0 | 11557 | 11326 | 11269 | 11044 | 10945 | 2.03 | 2.05 | 2.05 | 2.06 | 2.06 |
| | 32.0 | 11698 | 11464 | 11407 | 11179 | 11078 | 2.02 | 2.03 | 2.04 | 2.04 | 2.05 |
| | 37.0 | 12637 | 12385 | 12323 | 12076 | 11968 | 2.00 | 2.02 | 2.02 | 2.03 | 2.03 |
| | 42.0 | 14775 | 14479 | 14407 | 14119 | 13991 | 1.99 | 2.00 | 2.01 | 2.01 | 2.02 |
| | 44.6 | 15629 | 15317 | 15240 | 14935 | 14801 | 1.98 | 1.99 | 2.00 | 2.00 | 2.01 |
| | 47.0 | 16912 | 16573 | 16491 | 16161 | 16015 | 1.96 | 1.98 | 1.98 | 1.98 | 1.99 |
| | 52.0 | 19049 | 18668 | 18574 | 18203 | 18039 | 1.94 | 1.96 | 1.96 | 1.96 | 1.97 |
| | 57.0 | 21186 | 20762 | 20658 | 20245 | 20063 | 1.92 | 1.93 | 1.94 | 1.94 | 1.95 |
| 62.0 | 23323 | 22856 | 22742 | 22287 | 22087 | 1.90 | 1.91 | 1.92 | 1.92 | 1.93 | |
| 64.4 | 24178 | 23694 | 23576 | 23104 | 22896 | 1.89 | 1.91 | 1.91 | 1.91 | 1.92 | |
| 640 | -22.0 | 9743 | 9548 | 9501 | 9311 | 9227 | 2.40 | 2.42 | 2.43 | 2.43 | 2.44 |
| | -10.0 | 11794 | 11558 | 11500 | 11270 | 11169 | 2.30 | 2.32 | 2.33 | 2.33 | 2.34 |
| | 0.0 | 13503 | 13233 | 13166 | 12903 | 12787 | 2.22 | 2.24 | 2.24 | 2.25 | 2.26 |
| | 5.0 | 14357 | 14070 | 13999 | 13719 | 13596 | 2.18 | 2.20 | 2.20 | 2.20 | 2.21 |
| | 14.0 | 15895 | 15577 | 15499 | 15189 | 15052 | 2.10 | 2.12 | 2.13 | 2.13 | 2.14 |
| | 17.0 | 16407 | 16079 | 15999 | 15679 | 15538 | 2.08 | 2.10 | 2.10 | 2.10 | 2.11 |
| | 22.0 | 16613 | 16280 | 16199 | 15875 | 15732 | 2.07 | 2.08 | 2.09 | 2.09 | 2.10 |
| | 27.0 | 16818 | 16481 | 16399 | 16071 | 15926 | 2.05 | 2.07 | 2.07 | 2.08 | 2.08 |
| | 32.0 | 17023 | 16682 | 16599 | 16267 | 16120 | 2.04 | 2.05 | 2.06 | 2.06 | 2.07 |
| | 37.0 | 18390 | 18022 | 17932 | 17573 | 17415 | 2.02 | 2.04 | 2.04 | 2.05 | 2.05 |
| | 42.0 | 21500 | 21070 | 20964 | 20545 | 20360 | 2.01 | 2.02 | 2.03 | 2.03 | 2.04 |
| | 44.6 | 22743 | 22289 | 22177 | 21734 | 21538 | 2.00 | 2.01 | 2.02 | 2.02 | 2.03 |
| | 47.0 | 24609 | 24117 | 23997 | 23517 | 23305 | 1.98 | 2.00 | 2.00 | 2.00 | 2.01 |
| | 52.0 | 27719 | 27165 | 27029 | 26488 | 26250 | 1.96 | 1.98 | 1.98 | 1.98 | 1.99 |
| | 57.0 | 30829 | 30212 | 30061 | 29460 | 29195 | 1.94 | 1.95 | 1.96 | 1.96 | 1.97 |
| 62.0 | 33939 | 33260 | 33094 | 32432 | 32140 | 1.92 | 1.93 | 1.94 | 1.94 | 1.95 | |
| 64.4 | 35183 | 34479 | 34307 | 33621 | 33318 | 1.91 | 1.93 | 1.93 | 1.93 | 1.94 | |

NON-DUCTED HEATING PERFORMANCE 18R (Sheet 2 of 2)

| AIRFLOW (CFM) | OUTDOOR DB (°F) | TC : Total Heating Capacity (BTU/hr) | | | | | PI : Power Input (kW) | | | | |
|---------------|-----------------|--------------------------------------|-------|-------|-------|-------|---------------------------|------|-------|------|------|
| | | Indoor Conditions (DB °F) | | | | | Indoor Conditions (DB °F) | | | | |
| | | 60.8 | 68.0 | 70.0 | 71.6 | 75.2 | 60.8 | 68.0 | 70.00 | 71.6 | 75.2 |
| 700 | -22.0 | 10346 | 10139 | 10089 | 9887 | 9798 | 2.42 | 2.44 | 2.45 | 2.45 | 2.46 |
| | -10.0 | 12524 | 12273 | 12212 | 11968 | 11860 | 2.32 | 2.34 | 2.35 | 2.35 | 2.36 |
| | 0.0 | 14338 | 14052 | 13981 | 13702 | 13578 | 2.24 | 2.26 | 2.26 | 2.27 | 2.28 |
| | 5.0 | 15246 | 14941 | 14866 | 14569 | 14437 | 2.20 | 2.22 | 2.22 | 2.23 | 2.24 |
| | 14.0 | 16879 | 16541 | 16458 | 16129 | 15984 | 2.12 | 2.14 | 2.15 | 2.15 | 2.16 |
| | 17.0 | 17423 | 17074 | 16989 | 16649 | 16499 | 2.10 | 2.12 | 2.12 | 2.13 | 2.13 |
| | 22.0 | 17641 | 17288 | 17201 | 16857 | 16706 | 2.09 | 2.10 | 2.11 | 2.11 | 2.12 |
| | 27.0 | 17858 | 17501 | 17414 | 17066 | 16912 | 2.07 | 2.09 | 2.09 | 2.10 | 2.11 |
| | 32.0 | 18076 | 17715 | 17626 | 17274 | 17118 | 2.06 | 2.07 | 2.08 | 2.08 | 2.09 |
| | 37.0 | 19528 | 19137 | 19042 | 18661 | 18493 | 2.04 | 2.06 | 2.06 | 2.07 | 2.07 |
| | 42.0 | 22830 | 22374 | 22262 | 21816 | 21620 | 2.03 | 2.04 | 2.05 | 2.05 | 2.06 |
| | 44.6 | 24151 | 23668 | 23550 | 23079 | 22871 | 2.02 | 2.03 | 2.04 | 2.04 | 2.05 |
| | 47.0 | 26133 | 25610 | 25482 | 24972 | 24747 | 2.00 | 2.02 | 2.02 | 2.02 | 2.03 |
| | 52.0 | 29435 | 28846 | 28702 | 28128 | 27875 | 1.98 | 1.99 | 2.00 | 2.00 | 2.01 |
| | 57.0 | 32737 | 32082 | 31922 | 31284 | 31002 | 1.96 | 1.97 | 1.98 | 1.98 | 1.99 |
| 62.0 | 36040 | 35319 | 35142 | 34439 | 34129 | 1.94 | 1.95 | 1.96 | 1.96 | 1.97 | |
| 64.4 | 37360 | 36613 | 36430 | 35702 | 35380 | 1.93 | 1.94 | 1.95 | 1.95 | 1.96 | |

NOTE: Data highlighted in gray is extrapolated data and not actual test data.

HEATING PERFORMANCE NON-DUCTED

HEATING PERFORMANCE 24HH (HIGH HEAT)

NON-DUCTED HEATING PERFORMANCE 24HH

| AIRFLOW (CFM) | OUTDOOR DB (°F) | TC : Total Heating Capacity (BTU/hr) | | | | | PI : Power Input (kW) | | | | |
|------------------|--------------------|--------------------------------------|-------|-------|-------|-------|---------------------------|------|-------|------|------|
| | | Indoor Conditions (DB °F) | | | | | Indoor Conditions (DB °F) | | | | |
| | | 60.8 | 68.0 | 70.0 | 71.6 | 75.2 | 60.8 | 68.0 | 70.00 | 71.6 | 75.2 |
| 492 | -22.0 | 7659 | 7506 | 7468 | 7319 | 7253 | 3.65 | 3.68 | 3.69 | 3.70 | 3.71 |
| | -10.0 | 9067 | 8885 | 8841 | 8664 | 8586 | 3.41 | 3.44 | 3.44 | 3.45 | 3.46 |
| | 0.0 | 10239 | 10035 | 9984 | 9785 | 9697 | 3.21 | 3.23 | 3.24 | 3.24 | 3.26 |
| | 5.0 | 10826 | 10609 | 10556 | 10345 | 10252 | 3.10 | 3.13 | 3.14 | 3.14 | 3.16 |
| | 14.0 | 11881 | 11644 | 11586 | 11354 | 11252 | 2.92 | 2.95 | 2.95 | 2.96 | 2.97 |
| | 17.0 | 12233 | 11989 | 11929 | 11690 | 11585 | 2.86 | 2.89 | 2.89 | 2.90 | 2.91 |
| | 22.0 | 12529 | 12279 | 12217 | 11973 | 11865 | 2.85 | 2.88 | 2.88 | 2.89 | 2.90 |
| | 27.0 | 12825 | 12569 | 12506 | 12256 | 12146 | 2.85 | 2.87 | 2.87 | 2.88 | 2.89 |
| | 32.0 | 13122 | 12859 | 12795 | 12539 | 12426 | 2.84 | 2.86 | 2.87 | 2.87 | 2.88 |
| | 37.0 | 14150 | 13867 | 13798 | 13522 | 13400 | 2.83 | 2.85 | 2.86 | 2.86 | 2.88 |
| | 42.0 | 16277 | 15952 | 15872 | 15555 | 15415 | 2.82 | 2.85 | 2.85 | 2.86 | 2.87 |
| | 44.6 | 17128 | 16786 | 16702 | 16368 | 16220 | 2.82 | 2.84 | 2.85 | 2.86 | 2.87 |
| | 47.0 | 18405 | 18036 | 17946 | 17587 | 17429 | 2.81 | 2.84 | 2.84 | 2.85 | 2.86 |
| | 52.0 | 20532 | 20121 | 20021 | 19620 | 19444 | 2.81 | 2.83 | 2.83 | 2.84 | 2.85 |
| | 57.0 | 22659 | 22206 | 22095 | 21653 | 21458 | 2.80 | 2.82 | 2.83 | 2.83 | 2.84 |
| 62.0 | 24786 | 24291 | 24169 | 23686 | 23473 | 2.79 | 2.81 | 2.82 | 2.82 | 2.83 | |
| 64.4 | 25637 | 25124 | 24999 | 24499 | 24278 | 2.79 | 2.81 | 2.81 | 2.82 | 2.83 | |
| 640 | -22.0 | 9963 | 9764 | 9715 | 9521 | 9435 | 3.69 | 3.72 | 3.72 | 3.73 | 3.75 |
| | -10.0 | 11794 | 11558 | 11500 | 11270 | 11169 | 3.44 | 3.47 | 3.48 | 3.48 | 3.50 |
| | 0.0 | 13320 | 13053 | 12988 | 12728 | 12614 | 3.24 | 3.26 | 3.27 | 3.28 | 3.29 |
| | 5.0 | 14082 | 13801 | 13732 | 13457 | 13336 | 3.14 | 3.16 | 3.17 | 3.17 | 3.19 |
| | 14.0 | 15456 | 15146 | 15071 | 14769 | 14636 | 2.95 | 2.98 | 2.98 | 2.99 | 3.00 |
| | 17.0 | 15913 | 15595 | 15517 | 15207 | 15070 | 2.89 | 2.91 | 2.92 | 2.93 | 2.94 |
| | 22.0 | 16298 | 15972 | 15893 | 15575 | 15435 | 2.88 | 2.91 | 2.91 | 2.92 | 2.93 |
| | 27.0 | 16684 | 16350 | 16268 | 15943 | 15799 | 2.87 | 2.90 | 2.90 | 2.91 | 2.92 |
| | 32.0 | 17069 | 16727 | 16644 | 16311 | 16164 | 2.87 | 2.89 | 2.90 | 2.90 | 2.91 |
| | 37.0 | 18407 | 18038 | 17948 | 17589 | 17431 | 2.86 | 2.88 | 2.89 | 2.89 | 2.90 |
| | 42.0 | 21174 | 20750 | 20646 | 20234 | 20051 | 2.85 | 2.88 | 2.88 | 2.89 | 2.90 |
| | 44.6 | 22281 | 21835 | 21726 | 21291 | 21100 | 2.85 | 2.87 | 2.88 | 2.88 | 2.90 |
| | 47.0 | 23941 | 23462 | 23345 | 22878 | 22672 | 2.84 | 2.87 | 2.87 | 2.88 | 2.89 |
| | 52.0 | 26708 | 26174 | 26043 | 25522 | 25292 | 2.83 | 2.86 | 2.86 | 2.87 | 2.88 |
| | 57.0 | 29475 | 28886 | 28741 | 28166 | 27913 | 2.83 | 2.85 | 2.85 | 2.86 | 2.87 |
| 62.0 | 32242 | 31597 | 31439 | 30811 | 30533 | 2.82 | 2.84 | 2.85 | 2.85 | 2.86 | |
| 64.4 | 33349 | 32682 | 32519 | 31868 | 31582 | 2.81 | 2.84 | 2.84 | 2.85 | 2.86 | |
| 960 | -22.0 | 14509 | 14219 | 14148 | 13865 | 13740 | 3.72 | 3.75 | 3.76 | 3.77 | 3.79 |
| | -10.0 | 17175 | 16832 | 16748 | 16413 | 16265 | 3.48 | 3.51 | 3.51 | 3.52 | 3.53 |
| | 0.0 | 19397 | 19009 | 18914 | 18536 | 18369 | 3.27 | 3.30 | 3.30 | 3.31 | 3.32 |
| | 5.0 | 20508 | 20098 | 19998 | 19598 | 19421 | 3.17 | 3.19 | 3.20 | 3.21 | 3.22 |
| | 14.0 | 22508 | 22058 | 21948 | 21509 | 21315 | 2.98 | 3.01 | 3.01 | 3.02 | 3.03 |
| | 17.0 | 23175 | 22711 | 22598 | 22146 | 21946 | 2.92 | 2.94 | 2.95 | 2.96 | 2.97 |
| | 22.0 | 23736 | 23261 | 23145 | 22682 | 22478 | 2.91 | 2.94 | 2.94 | 2.95 | 2.96 |
| | 27.0 | 24296 | 23810 | 23691 | 23218 | 23009 | 2.90 | 2.93 | 2.93 | 2.94 | 2.95 |
| | 32.0 | 24857 | 24360 | 24238 | 23754 | 23540 | 2.90 | 2.92 | 2.93 | 2.93 | 2.94 |
| | 37.0 | 26806 | 26270 | 26138 | 25615 | 25385 | 2.89 | 2.91 | 2.92 | 2.92 | 2.93 |
| | 42.0 | 30835 | 30219 | 30068 | 29466 | 29201 | 2.88 | 2.90 | 2.91 | 2.92 | 2.93 |
| | 44.6 | 32447 | 31798 | 31639 | 31007 | 30728 | 2.88 | 2.90 | 2.91 | 2.91 | 2.93 |
| | 47.0 | 34865 | 34168 | 33997 | 33317 | 33017 | 2.87 | 2.89 | 2.90 | 2.91 | 2.92 |
| | 52.0 | 38895 | 38117 | 37927 | 37168 | 36834 | 2.86 | 2.89 | 2.89 | 2.90 | 2.91 |
| | 57.0 | 42925 | 42066 | 41856 | 41019 | 40650 | 2.85 | 2.88 | 2.88 | 2.89 | 2.90 |
| 62.0 | 46955 | 46016 | 45786 | 44870 | 44466 | 2.85 | 2.87 | 2.88 | 2.88 | 2.89 | |
| 64.4 | 48567 | 47595 | 47357 | 46410 | 45993 | 2.84 | 2.87 | 2.87 | 2.88 | 2.89 | |
| 1050 | -22.0 | 15407 | 15099 | 15024 | 14723 | 14591 | 3.76 | 3.79 | 3.80 | 3.81 | 3.82 |
| | -10.0 | 18239 | 17874 | 17784 | 17429 | 17272 | 3.51 | 3.54 | 3.55 | 3.55 | 3.57 |
| | 0.0 | 20598 | 20186 | 20085 | 19683 | 19506 | 3.30 | 3.33 | 3.34 | 3.34 | 3.36 |
| | 5.0 | 21778 | 21342 | 21235 | 20811 | 20623 | 3.20 | 3.23 | 3.23 | 3.24 | 3.25 |
| | 14.0 | 23901 | 23423 | 23306 | 22840 | 22634 | 3.01 | 3.04 | 3.04 | 3.05 | 3.06 |
| | 17.0 | 24609 | 24117 | 23996 | 23516 | 23305 | 2.95 | 2.97 | 2.98 | 2.99 | 3.00 |
| | 22.0 | 25205 | 24701 | 24577 | 24085 | 23869 | 2.94 | 2.97 | 2.97 | 2.98 | 2.99 |
| | 27.0 | 25800 | 25284 | 25158 | 24655 | 24433 | 2.93 | 2.96 | 2.96 | 2.97 | 2.98 |
| | 32.0 | 26396 | 25868 | 25738 | 25224 | 24997 | 2.92 | 2.95 | 2.95 | 2.96 | 2.97 |
| | 37.0 | 28465 | 27895 | 27756 | 27201 | 26956 | 2.92 | 2.94 | 2.95 | 2.95 | 2.96 |
| | 42.0 | 32744 | 32089 | 31929 | 31290 | 31008 | 2.91 | 2.93 | 2.94 | 2.95 | 2.96 |
| | 44.6 | 34456 | 33767 | 33598 | 32926 | 32629 | 2.91 | 2.93 | 2.94 | 2.94 | 2.95 |
| | 47.0 | 37023 | 36283 | 36101 | 35379 | 35061 | 2.90 | 2.92 | 2.93 | 2.93 | 2.95 |
| | 52.0 | 41302 | 40476 | 40274 | 39469 | 39113 | 2.89 | 2.91 | 2.92 | 2.93 | 2.94 |
| | 57.0 | 45582 | 44670 | 44447 | 43558 | 43166 | 2.88 | 2.91 | 2.91 | 2.92 | 2.93 |
| 62.0 | 49861 | 48864 | 48619 | 47647 | 47218 | 2.87 | 2.90 | 2.90 | 2.91 | 2.92 | |
| 64.4 | 51573 | 50541 | 50289 | 49283 | 48839 | 2.87 | 2.89 | 2.90 | 2.91 | 2.92 | |

NOTE: Data highlighted in gray is extrapolated data and not actual test data.

HEATING PERFORMANCE NON-DUCTED

HEATING PERFORMANCE 30HH (HIGH HEAT)

NON-DUCTED HEATING PERFORMANCE 30HH

| AIRFLOW (CFM) | OUTDOOR DB (°F) | TC : Total Heating Capacity (BTU/hr) | | | | | PI : Power Input (kW) | | | | |
|---------------|-----------------|--------------------------------------|-------|-------|-------|-------|---------------------------|------|-------|------|------|
| | | Indoor Conditions (DB °F) | | | | | Indoor Conditions (DB °F) | | | | |
| | | 60.8 | 68.0 | 70.0 | 71.6 | 75.2 | 60.8 | 68.0 | 70.00 | 71.6 | 75.2 |
| 656 | -22.0 | 7038 | 6897 | 6862 | 6725 | 6665 | 3.53 | 3.56 | 3.57 | 3.57 | 3.59 |
| | -10.0 | 9063 | 8882 | 8837 | 8661 | 8583 | 3.50 | 3.53 | 3.53 | 3.54 | 3.55 |
| | 0.0 | 10751 | 10536 | 10483 | 10273 | 10181 | 3.47 | 3.50 | 3.50 | 3.51 | 3.53 |
| | 5.0 | 11595 | 11363 | 11306 | 11080 | 10980 | 3.46 | 3.48 | 3.49 | 3.50 | 3.51 |
| | 14.0 | 13114 | 12851 | 12787 | 12531 | 12419 | 3.43 | 3.46 | 3.47 | 3.47 | 3.49 |
| | 17.0 | 13620 | 13348 | 13281 | 13015 | 12898 | 3.42 | 3.45 | 3.46 | 3.46 | 3.48 |
| | 22.0 | 14198 | 13914 | 13844 | 13568 | 13445 | 3.42 | 3.44 | 3.45 | 3.46 | 3.47 |
| | 27.0 | 14776 | 14480 | 14408 | 14120 | 13993 | 3.41 | 3.44 | 3.44 | 3.45 | 3.46 |
| | 32.0 | 15354 | 15047 | 14971 | 14672 | 14540 | 3.40 | 3.43 | 3.44 | 3.44 | 3.46 |
| | 37.0 | 16458 | 16129 | 16048 | 15727 | 15586 | 3.40 | 3.42 | 3.43 | 3.44 | 3.45 |
| | 42.0 | 18352 | 17985 | 17895 | 17537 | 17379 | 3.39 | 3.42 | 3.42 | 3.43 | 3.44 |
| | 44.6 | 19109 | 18727 | 18633 | 18261 | 18096 | 3.39 | 3.42 | 3.42 | 3.43 | 3.44 |
| | 47.0 | 20246 | 19841 | 19742 | 19347 | 19173 | 3.38 | 3.41 | 3.42 | 3.42 | 3.44 |
| | 52.0 | 22139 | 21697 | 21588 | 21156 | 20966 | 3.37 | 3.40 | 3.41 | 3.42 | 3.43 |
| | 57.0 | 24033 | 23553 | 23435 | 22966 | 22760 | 3.37 | 3.39 | 3.40 | 3.41 | 3.42 |
| 62.0 | 25927 | 25409 | 25282 | 24776 | 24553 | 3.36 | 3.39 | 3.39 | 3.40 | 3.42 | |
| 64.4 | 26685 | 26151 | 26020 | 25500 | 25270 | 3.36 | 3.39 | 3.39 | 3.40 | 3.41 | |
| 854 | -22.0 | 9162 | 8979 | 8934 | 8755 | 8676 | 3.57 | 3.59 | 3.60 | 3.61 | 3.62 |
| | -10.0 | 11799 | 11563 | 11505 | 11275 | 11173 | 3.53 | 3.56 | 3.57 | 3.58 | 3.59 |
| | 0.0 | 13996 | 13716 | 13647 | 13374 | 13254 | 3.50 | 3.53 | 3.54 | 3.55 | 3.56 |
| | 5.0 | 15094 | 14792 | 14719 | 14424 | 14294 | 3.49 | 3.52 | 3.53 | 3.53 | 3.55 |
| | 14.0 | 17072 | 16730 | 16647 | 16314 | 16167 | 3.47 | 3.49 | 3.50 | 3.51 | 3.52 |
| | 17.0 | 17731 | 17376 | 17290 | 16944 | 16791 | 3.46 | 3.49 | 3.49 | 3.50 | 3.51 |
| | 22.0 | 18483 | 18114 | 18023 | 17663 | 17504 | 3.45 | 3.48 | 3.49 | 3.49 | 3.51 |
| | 27.0 | 19236 | 18851 | 18757 | 18381 | 18216 | 3.44 | 3.47 | 3.48 | 3.48 | 3.50 |
| | 32.0 | 19988 | 19588 | 19490 | 19100 | 18928 | 3.44 | 3.46 | 3.47 | 3.48 | 3.49 |
| | 37.0 | 21425 | 20997 | 20892 | 20474 | 20290 | 3.43 | 3.46 | 3.46 | 3.47 | 3.49 |
| | 42.0 | 23891 | 23413 | 23296 | 22830 | 22625 | 3.42 | 3.45 | 3.46 | 3.47 | 3.48 |
| | 44.6 | 24877 | 24380 | 24258 | 23772 | 23559 | 3.42 | 3.45 | 3.46 | 3.46 | 3.48 |
| | 47.0 | 26356 | 25829 | 25700 | 25186 | 24959 | 3.42 | 3.44 | 3.45 | 3.46 | 3.47 |
| | 52.0 | 28822 | 28245 | 28104 | 27542 | 27294 | 3.41 | 3.44 | 3.44 | 3.45 | 3.46 |
| | 57.0 | 31287 | 30662 | 30508 | 29898 | 29629 | 3.40 | 3.43 | 3.44 | 3.44 | 3.46 |
| 62.0 | 33753 | 33078 | 32912 | 32254 | 31964 | 3.39 | 3.42 | 3.43 | 3.44 | 3.45 | |
| 64.4 | 34739 | 34044 | 33874 | 33196 | 32898 | 3.39 | 3.42 | 3.43 | 3.43 | 3.45 | |
| 1280 | -22.0 | 13332 | 13065 | 13000 | 12740 | 12625 | 3.60 | 3.63 | 3.64 | 3.65 | 3.66 |
| | -10.0 | 17169 | 16826 | 16741 | 16407 | 16259 | 3.57 | 3.60 | 3.60 | 3.61 | 3.63 |
| | 0.0 | 20366 | 19959 | 19859 | 19462 | 19287 | 3.54 | 3.57 | 3.58 | 3.58 | 3.60 |
| | 5.0 | 21965 | 21526 | 21418 | 20990 | 20801 | 3.53 | 3.55 | 3.56 | 3.57 | 3.58 |
| | 14.0 | 24842 | 24346 | 24224 | 23739 | 23526 | 3.50 | 3.53 | 3.54 | 3.54 | 3.56 |
| | 17.0 | 25802 | 25286 | 25159 | 24656 | 24434 | 3.49 | 3.52 | 3.53 | 3.53 | 3.55 |
| | 22.0 | 26896 | 26358 | 26227 | 25702 | 25471 | 3.49 | 3.51 | 3.52 | 3.53 | 3.54 |
| | 27.0 | 27991 | 27431 | 27294 | 26748 | 26507 | 3.48 | 3.51 | 3.51 | 3.52 | 3.53 |
| | 32.0 | 29086 | 28504 | 28362 | 27794 | 27544 | 3.47 | 3.50 | 3.51 | 3.51 | 3.53 |
| | 37.0 | 31178 | 30554 | 30401 | 29793 | 29525 | 3.46 | 3.49 | 3.50 | 3.51 | 3.52 |
| | 42.0 | 34765 | 34070 | 33900 | 33222 | 32923 | 3.46 | 3.49 | 3.49 | 3.50 | 3.51 |
| | 44.6 | 36200 | 35476 | 35299 | 34593 | 34282 | 3.46 | 3.48 | 3.49 | 3.50 | 3.51 |
| | 47.0 | 38353 | 37586 | 37398 | 36650 | 36320 | 3.45 | 3.48 | 3.49 | 3.49 | 3.51 |
| | 52.0 | 41941 | 41102 | 40896 | 40079 | 39718 | 3.44 | 3.47 | 3.48 | 3.48 | 3.50 |
| | 57.0 | 45528 | 44618 | 44395 | 43507 | 43115 | 3.44 | 3.46 | 3.47 | 3.48 | 3.49 |
| 62.0 | 49116 | 48134 | 47893 | 46935 | 46513 | 3.43 | 3.45 | 3.46 | 3.47 | 3.48 | |
| 64.4 | 50551 | 49540 | 49293 | 48307 | 47872 | 3.43 | 3.45 | 3.46 | 3.47 | 3.48 | |
| 1400 | -22.0 | 14157 | 13874 | 13805 | 13529 | 13407 | 3.64 | 3.67 | 3.67 | 3.68 | 3.70 |
| | -10.0 | 18232 | 17867 | 17778 | 17422 | 17265 | 3.60 | 3.63 | 3.64 | 3.65 | 3.66 |
| | 0.0 | 21627 | 21194 | 21088 | 20666 | 20481 | 3.58 | 3.60 | 3.61 | 3.62 | 3.63 |
| | 5.0 | 23324 | 22858 | 22744 | 22289 | 22088 | 3.56 | 3.59 | 3.60 | 3.60 | 3.62 |
| | 14.0 | 26380 | 25852 | 25723 | 25209 | 24982 | 3.54 | 3.56 | 3.57 | 3.58 | 3.59 |
| | 17.0 | 27399 | 26851 | 26716 | 26182 | 25946 | 3.53 | 3.56 | 3.56 | 3.57 | 3.58 |
| | 22.0 | 28561 | 27990 | 27850 | 27293 | 27047 | 3.52 | 3.55 | 3.56 | 3.56 | 3.58 |
| | 27.0 | 29724 | 29129 | 28983 | 28404 | 28148 | 3.51 | 3.54 | 3.55 | 3.56 | 3.57 |
| | 32.0 | 30886 | 30268 | 30117 | 29515 | 29249 | 3.51 | 3.53 | 3.54 | 3.55 | 3.56 |
| | 37.0 | 33107 | 32445 | 32283 | 31637 | 31353 | 3.50 | 3.53 | 3.53 | 3.54 | 3.56 |
| | 42.0 | 36917 | 36179 | 35998 | 35278 | 34960 | 3.49 | 3.52 | 3.53 | 3.54 | 3.55 |
| | 44.6 | 38441 | 37672 | 37484 | 36734 | 36404 | 3.49 | 3.52 | 3.53 | 3.53 | 3.55 |
| | 47.0 | 40727 | 39912 | 39713 | 38919 | 38568 | 3.48 | 3.51 | 3.52 | 3.53 | 3.54 |
| | 52.0 | 44537 | 43646 | 43428 | 42559 | 42176 | 3.48 | 3.51 | 3.51 | 3.52 | 3.53 |
| | 57.0 | 48346 | 47379 | 47143 | 46200 | 45784 | 3.47 | 3.50 | 3.51 | 3.51 | 3.53 |
| 62.0 | 52156 | 51113 | 50857 | 49840 | 49392 | 3.46 | 3.49 | 3.50 | 3.51 | 3.52 | |
| 64.4 | 53680 | 52606 | 52343 | 51297 | 50835 | 3.46 | 3.49 | 3.50 | 3.50 | 3.52 | |

NOTE: Data highlighted in gray is extrapolated data and not actual test data.

Manufacturer reserves the right to change, at any time, specifications and designs without notice and without obligations.

HEATING PERFORMANCE NON-DUCTED HEATING PERFORMANCE 36R (STANDARD)

NON-DUCTED HEATING PERFORMANCE 36R

| AIRFLOW (CFM) | OUTDOOR DB (°F) | TC : Total Heating Capacity (BTU/hr) | | | | | PI : Power Input (kW) | | | | |
|---------------|-----------------|--------------------------------------|-------|-------|-------|-------|---------------------------|------|------|------|------|
| | | Indoor Conditions (DB °F) | | | | | Indoor Conditions (DB °F) | | | | |
| | | 60.8 | 68.0 | 70.0 | 71.6 | 75.2 | 60.8 | 68.0 | 70.0 | 71.6 | 75.2 |
| 656 | -22.0 | 8280 | 8114 | 8073 | 7912 | 7841 | 4.15 | 4.19 | 4.19 | 4.20 | 4.22 |
| | -10.0 | 10662 | 10449 | 10397 | 10189 | 10097 | 4.11 | 4.15 | 4.16 | 4.16 | 4.18 |
| | 0.0 | 12648 | 12395 | 12333 | 12086 | 11978 | 4.08 | 4.11 | 4.12 | 4.13 | 4.15 |
| | 5.0 | 13641 | 13368 | 13301 | 13035 | 12918 | 4.07 | 4.10 | 4.11 | 4.11 | 4.13 |
| | 14.0 | 15428 | 15119 | 15044 | 14743 | 14610 | 4.04 | 4.07 | 4.08 | 4.09 | 4.10 |
| | 17.0 | 16024 | 15703 | 15625 | 15312 | 15174 | 4.03 | 4.06 | 4.07 | 4.08 | 4.09 |
| | 22.0 | 16703 | 16369 | 16288 | 15962 | 15818 | 4.02 | 4.05 | 4.06 | 4.07 | 4.08 |
| | 27.0 | 17383 | 17036 | 16950 | 16611 | 16462 | 4.01 | 4.04 | 4.05 | 4.06 | 4.08 |
| | 32.0 | 18063 | 17702 | 17613 | 17261 | 17106 | 4.00 | 4.03 | 4.04 | 4.05 | 4.07 |
| | 37.0 | 19362 | 18975 | 18880 | 18503 | 18336 | 3.99 | 4.03 | 4.03 | 4.04 | 4.06 |
| | 42.0 | 21590 | 21159 | 21053 | 20632 | 20446 | 3.99 | 4.02 | 4.03 | 4.04 | 4.05 |
| | 44.6 | 22482 | 22032 | 21922 | 21483 | 21290 | 3.99 | 4.02 | 4.03 | 4.03 | 4.05 |
| | 47.0 | 23818 | 23342 | 23225 | 22761 | 22556 | 3.98 | 4.01 | 4.02 | 4.03 | 4.04 |
| | 52.0 | 26046 | 25526 | 25398 | 24890 | 24666 | 3.97 | 4.00 | 4.01 | 4.02 | 4.03 |
| | 57.0 | 28275 | 27709 | 27570 | 27019 | 26776 | 3.96 | 3.99 | 4.00 | 4.01 | 4.03 |
| 62.0 | 30503 | 29893 | 29743 | 29148 | 28886 | 3.95 | 3.99 | 3.99 | 4.00 | 4.02 | |
| 64.4 | 31394 | 30766 | 30612 | 30000 | 29730 | 3.95 | 3.98 | 3.99 | 4.00 | 4.01 | |
| 854 | -22.0 | 10779 | 10563 | 10510 | 10300 | 10207 | 4.19 | 4.23 | 4.24 | 4.25 | 4.26 |
| | -10.0 | 13881 | 13603 | 13535 | 13264 | 13145 | 4.16 | 4.19 | 4.20 | 4.21 | 4.22 |
| | 0.0 | 16466 | 16136 | 16056 | 15734 | 15593 | 4.12 | 4.16 | 4.16 | 4.17 | 4.19 |
| | 5.0 | 17758 | 17403 | 17316 | 16970 | 16817 | 4.11 | 4.14 | 4.15 | 4.16 | 4.17 |
| | 14.0 | 20085 | 19683 | 19584 | 19193 | 19020 | 4.12 | 4.11 | 4.12 | 4.13 | 4.14 |
| | 17.0 | 20860 | 20443 | 20341 | 19934 | 19754 | 4.07 | 4.10 | 4.11 | 4.12 | 4.13 |
| | 22.0 | 21745 | 21310 | 21204 | 20780 | 20593 | 4.06 | 4.09 | 4.10 | 4.11 | 4.12 |
| | 27.0 | 22630 | 22177 | 22067 | 21625 | 21431 | 4.05 | 4.08 | 4.09 | 4.10 | 4.12 |
| | 32.0 | 23515 | 23045 | 22930 | 22471 | 22269 | 4.04 | 4.08 | 4.08 | 4.09 | 4.11 |
| | 37.0 | 25206 | 24702 | 24579 | 24087 | 23870 | 4.03 | 4.07 | 4.08 | 4.08 | 4.10 |
| | 42.0 | 28107 | 27545 | 27407 | 26859 | 26617 | 4.03 | 4.06 | 4.07 | 4.08 | 4.09 |
| | 44.6 | 29267 | 28682 | 28538 | 27968 | 27716 | 4.03 | 4.06 | 4.07 | 4.07 | 4.09 |
| | 47.0 | 31007 | 30387 | 30235 | 29631 | 29364 | 4.02 | 4.05 | 4.06 | 4.07 | 4.08 |
| | 52.0 | 33908 | 33230 | 33064 | 32402 | 32111 | 4.01 | 4.04 | 4.05 | 4.06 | 4.08 |
| | 57.0 | 36809 | 36072 | 35892 | 35174 | 34858 | 4.00 | 4.03 | 4.04 | 4.05 | 4.07 |
| 62.0 | 39709 | 38915 | 38720 | 37946 | 37604 | 3.99 | 4.03 | 4.03 | 4.04 | 4.06 | |
| 64.4 | 40869 | 40052 | 39852 | 39055 | 38703 | 3.99 | 4.02 | 4.03 | 4.04 | 4.06 | |
| 1280 | -22.0 | 15685 | 15371 | 15294 | 14988 | 14854 | 4.24 | 4.27 | 4.28 | 4.29 | 4.31 |
| | -10.0 | 20199 | 19795 | 19696 | 19302 | 19128 | 4.20 | 4.23 | 4.24 | 4.25 | 4.27 |
| | 0.0 | 23960 | 23481 | 23364 | 22896 | 22690 | 4.16 | 4.20 | 4.21 | 4.22 | 4.23 |
| | 5.0 | 25841 | 25324 | 25198 | 24694 | 24471 | 4.15 | 4.18 | 4.19 | 4.20 | 4.22 |
| | 14.0 | 29226 | 28642 | 28499 | 27929 | 27677 | 4.12 | 4.15 | 4.16 | 4.17 | 4.19 |
| | 17.0 | 30355 | 29748 | 29599 | 29007 | 28746 | 4.11 | 4.14 | 4.15 | 4.16 | 4.18 |
| | 22.0 | 31643 | 31010 | 30855 | 30238 | 29966 | 4.10 | 4.13 | 4.14 | 4.15 | 4.17 |
| | 27.0 | 32931 | 32272 | 32111 | 31468 | 31185 | 4.09 | 4.13 | 4.13 | 4.14 | 4.16 |
| | 32.0 | 34219 | 33534 | 33367 | 32699 | 32405 | 4.08 | 4.12 | 4.13 | 4.13 | 4.15 |
| | 37.0 | 36680 | 35946 | 35766 | 35051 | 34736 | 4.08 | 4.11 | 4.12 | 4.12 | 4.14 |
| | 42.0 | 40900 | 40082 | 39882 | 39084 | 38733 | 4.07 | 4.10 | 4.11 | 4.12 | 4.14 |
| | 44.6 | 42589 | 41737 | 41528 | 40698 | 40331 | 4.07 | 4.10 | 4.11 | 4.12 | 4.13 |
| | 47.0 | 45121 | 44219 | 43998 | 43118 | 42730 | 4.06 | 4.09 | 4.10 | 4.11 | 4.12 |
| | 52.0 | 49342 | 48355 | 48113 | 47151 | 46727 | 4.05 | 4.08 | 4.09 | 4.10 | 4.12 |
| | 57.0 | 53563 | 52492 | 52229 | 51185 | 50724 | 4.04 | 4.08 | 4.08 | 4.09 | 4.11 |
| 62.0 | 57784 | 56628 | 56345 | 55218 | 54721 | 4.03 | 4.07 | 4.08 | 4.08 | 4.10 | |
| 64.4 | 59472 | 58283 | 57991 | 56831 | 56320 | 4.03 | 4.06 | 4.07 | 4.08 | 4.10 | |
| 1400 | -22.0 | 16656 | 16323 | 16241 | 15916 | 15773 | 4.28 | 4.31 | 4.32 | 4.33 | 4.35 |
| | -10.0 | 21449 | 21020 | 20915 | 20497 | 20312 | 4.24 | 4.27 | 4.28 | 4.29 | 4.31 |
| | 0.0 | 25443 | 24934 | 24810 | 24314 | 24095 | 4.21 | 4.24 | 4.25 | 4.26 | 4.27 |
| | 5.0 | 27440 | 26892 | 26757 | 26222 | 25986 | 4.19 | 4.22 | 4.23 | 4.24 | 4.26 |
| | 14.0 | 31035 | 30415 | 30263 | 29657 | 29390 | 4.16 | 4.19 | 4.20 | 4.21 | 4.23 |
| | 17.0 | 32234 | 31589 | 31431 | 30802 | 30525 | 4.15 | 4.18 | 4.19 | 4.20 | 4.22 |
| | 22.0 | 33601 | 32929 | 32765 | 32109 | 31820 | 4.14 | 4.17 | 4.18 | 4.19 | 4.21 |
| | 27.0 | 34969 | 34269 | 34098 | 33416 | 33115 | 4.13 | 4.17 | 4.17 | 4.18 | 4.20 |
| | 32.0 | 36336 | 35610 | 35432 | 34723 | 34411 | 4.12 | 4.16 | 4.17 | 4.17 | 4.19 |
| | 37.0 | 38950 | 38171 | 37980 | 37220 | 36885 | 4.12 | 4.15 | 4.16 | 4.17 | 4.18 |
| | 42.0 | 43432 | 42563 | 42350 | 41503 | 41130 | 4.11 | 4.14 | 4.15 | 4.16 | 4.18 |
| | 44.6 | 45225 | 44320 | 44099 | 43217 | 42828 | 4.11 | 4.14 | 4.15 | 4.16 | 4.17 |
| | 47.0 | 47914 | 46956 | 46721 | 45786 | 45374 | 4.10 | 4.13 | 4.14 | 4.15 | 4.17 |
| | 52.0 | 52396 | 51348 | 51091 | 50070 | 49619 | 4.09 | 4.12 | 4.13 | 4.14 | 4.16 |
| | 57.0 | 56878 | 55741 | 55462 | 54353 | 53863 | 4.08 | 4.12 | 4.12 | 4.13 | 4.15 |
| 62.0 | 61360 | 60133 | 59832 | 58636 | 58108 | 4.07 | 4.11 | 4.12 | 4.12 | 4.14 | |
| 64.4 | 63153 | 61890 | 61580 | 60349 | 59806 | 4.07 | 4.10 | 4.11 | 4.12 | 4.14 | |

NOTE: Data highlighted in gray is extrapolated data and not actual test data.

HEATING PERFORMANCE NON-DUCTED

HEATING PERFORMANCE 36HH (HIGHT HEAT)

NON-DUCTED HEATING PERFORMANCE 36HH

| AIRFLOW (CFM) | OUTDOOR DB (°F) | TC : Total Heating Capacity (BTU/hr) | | | | | PI : Power Input (kW) | | | | |
|---------------|-----------------|--------------------------------------|-------|-------|-------|-------|---------------------------|------|-------|------|------|
| | | Indoor Conditions (DB °F) | | | | | Indoor Conditions (DB °F) | | | | |
| | | 60.8 | 68.0 | 70.0 | 71.6 | 75.2 | 60.8 | 68.0 | 70.00 | 71.6 | 75.2 |
| 656 | -22.0 | 18448 | 18079 | 17989 | 17629 | 17470 | 5.93 | 5.98 | 5.99 | 6.00 | 6.03 |
| | -10.0 | 18910 | 18532 | 18439 | 18070 | 17907 | 5.69 | 5.73 | 5.75 | 5.76 | 5.78 |
| | 0.0 | 19295 | 18909 | 18814 | 18438 | 18272 | 5.49 | 5.53 | 5.54 | 5.55 | 5.58 |
| | 5.0 | 19487 | 19097 | 19002 | 18622 | 18454 | 5.39 | 5.43 | 5.44 | 5.45 | 5.47 |
| | 14.0 | 19833 | 19437 | 19339 | 18953 | 18782 | 5.20 | 5.25 | 5.26 | 5.27 | 5.29 |
| | 17.0 | 19949 | 19550 | 19452 | 19063 | 18891 | 5.14 | 5.18 | 5.19 | 5.20 | 5.23 |
| | 22.0 | 20051 | 19650 | 19552 | 19161 | 18989 | 5.06 | 5.10 | 5.11 | 5.12 | 5.14 |
| | 27.0 | 20154 | 19751 | 19652 | 19259 | 19086 | 4.98 | 5.02 | 5.03 | 5.04 | 5.06 |
| | 32.0 | 20257 | 19851 | 19752 | 19357 | 19183 | 4.90 | 4.94 | 4.95 | 4.96 | 4.98 |
| | 37.0 | 20902 | 20483 | 20381 | 19973 | 19794 | 4.77 | 4.81 | 4.82 | 4.83 | 4.85 |
| | 42.0 | 22360 | 21913 | 21803 | 21367 | 21175 | 4.62 | 4.65 | 4.66 | 4.67 | 4.69 |
| | 44.6 | 22943 | 22484 | 22372 | 21925 | 21727 | 4.55 | 4.59 | 4.59 | 4.60 | 4.62 |
| | 47.0 | 23818 | 23342 | 23225 | 22761 | 22556 | 4.37 | 4.40 | 4.41 | 4.42 | 4.44 |
| | 52.0 | 25277 | 24771 | 24647 | 24154 | 23937 | 4.16 | 4.20 | 4.21 | 4.21 | 4.23 |
| | 57.0 | 26735 | 26201 | 26070 | 25548 | 25318 | 3.96 | 3.99 | 4.00 | 4.01 | 4.03 |
| 62.0 | 28194 | 27630 | 27492 | 26942 | 26699 | 3.76 | 3.79 | 3.80 | 3.81 | 3.82 | |
| 64.4 | 28777 | 28202 | 28061 | 27499 | 27252 | 3.68 | 3.71 | 3.72 | 3.72 | 3.74 | |
| 854 | -22.0 | 24016 | 23536 | 23418 | 22950 | 22743 | 5.99 | 6.04 | 6.05 | 6.06 | 6.09 |
| | -10.0 | 24617 | 24125 | 24004 | 23524 | 23312 | 5.75 | 5.79 | 5.80 | 5.82 | 5.84 |
| | 0.0 | 25118 | 24616 | 24493 | 24003 | 23787 | 5.54 | 5.59 | 5.60 | 5.61 | 5.63 |
| | 5.0 | 25369 | 24861 | 24737 | 24242 | 24024 | 5.44 | 5.48 | 5.49 | 5.51 | 5.53 |
| | 14.0 | 25820 | 25303 | 25177 | 24673 | 24451 | 5.26 | 5.30 | 5.31 | 5.32 | 5.34 |
| | 17.0 | 25970 | 25450 | 25323 | 24817 | 24593 | 5.19 | 5.24 | 5.25 | 5.26 | 5.28 |
| | 22.0 | 26103 | 25581 | 25453 | 24944 | 24720 | 5.11 | 5.15 | 5.16 | 5.17 | 5.20 |
| | 27.0 | 26237 | 25712 | 25584 | 25072 | 24846 | 5.03 | 5.07 | 5.08 | 5.09 | 5.11 |
| | 32.0 | 26371 | 25843 | 25714 | 25200 | 24973 | 4.95 | 4.99 | 5.00 | 5.01 | 5.03 |
| | 37.0 | 27210 | 26666 | 26533 | 26002 | 25768 | 4.82 | 4.86 | 4.87 | 4.88 | 4.90 |
| | 42.0 | 29109 | 28527 | 28384 | 27816 | 27566 | 4.66 | 4.70 | 4.71 | 4.72 | 4.74 |
| | 44.6 | 29868 | 29271 | 29125 | 28542 | 28285 | 4.59 | 4.63 | 4.64 | 4.65 | 4.67 |
| | 47.0 | 31007 | 30387 | 30235 | 29631 | 29364 | 4.41 | 4.45 | 4.46 | 4.46 | 4.48 |
| | 52.0 | 32906 | 32248 | 32087 | 31445 | 31162 | 4.21 | 4.24 | 4.25 | 4.26 | 4.27 |
| | 57.0 | 34805 | 34109 | 33938 | 33259 | 32960 | 4.00 | 4.03 | 4.04 | 4.05 | 4.07 |
| 62.0 | 36703 | 35969 | 35789 | 35074 | 34758 | 3.80 | 3.83 | 3.84 | 3.84 | 3.86 | |
| 64.4 | 37463 | 36714 | 36530 | 35799 | 35477 | 3.72 | 3.75 | 3.75 | 3.76 | 3.78 | |
| 1280 | -22.0 | 34948 | 34249 | 34077 | 33396 | 33095 | 6.05 | 6.10 | 6.11 | 6.12 | 6.15 |
| | -10.0 | 35822 | 35106 | 34930 | 34232 | 33924 | 5.80 | 5.85 | 5.86 | 5.87 | 5.90 |
| | 0.0 | 36551 | 35820 | 35641 | 34928 | 34614 | 5.60 | 5.64 | 5.65 | 5.67 | 5.69 |
| | 5.0 | 36916 | 36177 | 35997 | 35277 | 34959 | 5.49 | 5.54 | 5.55 | 5.56 | 5.58 |
| | 14.0 | 37572 | 36820 | 36636 | 35904 | 35580 | 5.31 | 5.35 | 5.36 | 5.37 | 5.39 |
| | 17.0 | 37791 | 37035 | 36850 | 36113 | 35788 | 5.25 | 5.29 | 5.30 | 5.31 | 5.33 |
| | 22.0 | 37985 | 37225 | 37039 | 36298 | 35972 | 5.16 | 5.21 | 5.22 | 5.23 | 5.25 |
| | 27.0 | 38179 | 37416 | 37229 | 36484 | 36156 | 5.08 | 5.12 | 5.13 | 5.14 | 5.16 |
| | 32.0 | 38374 | 37606 | 37418 | 36670 | 36340 | 5.00 | 5.04 | 5.05 | 5.06 | 5.08 |
| | 37.0 | 39596 | 38804 | 38610 | 37837 | 37497 | 4.87 | 4.91 | 4.92 | 4.93 | 4.95 |
| | 42.0 | 42358 | 41511 | 41304 | 40478 | 40113 | 4.71 | 4.75 | 4.76 | 4.77 | 4.79 |
| | 44.6 | 43464 | 42594 | 42381 | 41534 | 41160 | 4.64 | 4.68 | 4.69 | 4.70 | 4.72 |
| | 47.0 | 45121 | 44219 | 43998 | 43118 | 42730 | 4.46 | 4.49 | 4.50 | 4.51 | 4.53 |
| | 52.0 | 47884 | 46926 | 46692 | 45758 | 45346 | 4.25 | 4.28 | 4.29 | 4.30 | 4.32 |
| | 57.0 | 50647 | 49634 | 49386 | 48398 | 47963 | 4.04 | 4.08 | 4.08 | 4.09 | 4.11 |
| 62.0 | 53410 | 52342 | 52080 | 51038 | 50579 | 3.84 | 3.87 | 3.88 | 3.88 | 3.90 | |
| 64.4 | 54515 | 53425 | 53158 | 52094 | 51626 | 3.75 | 3.78 | 3.79 | 3.80 | 3.81 | |
| 1400 | -22.0 | 37111 | 36368 | 36187 | 35463 | 35144 | 6.11 | 6.16 | 6.17 | 6.19 | 6.21 |
| | -10.0 | 38039 | 37279 | 37092 | 36350 | 36023 | 5.86 | 5.91 | 5.92 | 5.93 | 5.96 |
| | 0.0 | 38814 | 38037 | 37847 | 37090 | 36756 | 5.65 | 5.70 | 5.71 | 5.72 | 5.75 |
| | 5.0 | 39201 | 38417 | 38225 | 37460 | 37123 | 5.55 | 5.59 | 5.61 | 5.62 | 5.64 |
| | 14.0 | 39897 | 39099 | 38904 | 38126 | 37783 | 5.36 | 5.41 | 5.42 | 5.43 | 5.45 |
| | 17.0 | 40130 | 39327 | 39130 | 38348 | 38003 | 5.30 | 5.34 | 5.35 | 5.36 | 5.39 |
| | 22.0 | 40336 | 39529 | 39332 | 38545 | 38198 | 5.22 | 5.26 | 5.27 | 5.28 | 5.30 |
| | 27.0 | 40542 | 39732 | 39533 | 38742 | 38394 | 5.13 | 5.17 | 5.18 | 5.20 | 5.22 |
| | 32.0 | 40749 | 39934 | 39734 | 38940 | 38589 | 5.05 | 5.09 | 5.10 | 5.11 | 5.13 |
| | 37.0 | 42046 | 41205 | 40999 | 40179 | 39818 | 4.92 | 4.96 | 4.97 | 4.98 | 5.00 |
| | 42.0 | 44980 | 44081 | 43860 | 42983 | 42596 | 4.76 | 4.79 | 4.80 | 4.81 | 4.83 |
| | 44.6 | 46154 | 45231 | 45004 | 44104 | 43707 | 4.69 | 4.72 | 4.73 | 4.74 | 4.76 |
| | 47.0 | 47914 | 46956 | 46721 | 45786 | 45374 | 4.50 | 4.54 | 4.55 | 4.55 | 4.57 |
| | 52.0 | 50848 | 49831 | 49582 | 48590 | 48153 | 4.29 | 4.33 | 4.33 | 4.34 | 4.36 |
| | 57.0 | 53782 | 52706 | 52443 | 51394 | 50931 | 4.08 | 4.12 | 4.12 | 4.13 | 4.15 |
| 62.0 | 56716 | 55581 | 55303 | 54197 | 53709 | 3.87 | 3.91 | 3.91 | 3.92 | 3.94 | |
| 64.4 | 57889 | 56731 | 56448 | 55319 | 54821 | 3.79 | 3.82 | 3.83 | 3.84 | 3.85 | |

NOTE: Data highlighted in gray is extrapolated data and not actual test data.

Manufacturer reserves the right to change, at any time, specifications and designs without notice and without obligations.

HEATING PERFORMANCE NON-DUCTED

HEATING PERFORMANCE 48R (STANDARD)

NON-DUCTED HEATING PERFORMANCE 48R

| AIRFLOW (CFM) | OUTDOOR DB (°F) | TC : Total Heating Capacity (BTU/hr) | | | | | PI : Power Input (kW) | | | | |
|---------------|-----------------|--------------------------------------|-------|-------|-------|-------|---------------------------|------|-------|------|------|
| | | Indoor Conditions (DB °F) | | | | | Indoor Conditions (DB °F) | | | | |
| | | 60.8 | 68.0 | 70.0 | 71.6 | 75.2 | 60.8 | 68.0 | 70.00 | 71.6 | 75.2 |
| 820 | -22.0 | 12988 | 12729 | 12665 | 12412 | 12300 | 6.02 | 6.07 | 6.08 | 6.09 | 6.12 |
| | -10.0 | 15155 | 14852 | 14778 | 14482 | 14352 | 5.66 | 5.71 | 5.72 | 5.73 | 5.75 |
| | 0.0 | 16961 | 16621 | 16538 | 16207 | 16062 | 5.36 | 5.40 | 5.41 | 5.43 | 5.45 |
| | 5.0 | 17863 | 17506 | 17419 | 17070 | 16917 | 5.21 | 5.25 | 5.26 | 5.27 | 5.29 |
| | 14.0 | 19488 | 19099 | 19003 | 18623 | 18455 | 4.94 | 4.98 | 4.99 | 5.00 | 5.02 |
| | 17.0 | 20030 | 19629 | 19531 | 19141 | 18968 | 4.85 | 4.89 | 4.90 | 4.91 | 4.93 |
| | 22.0 | 20367 | 19959 | 19859 | 19462 | 19287 | 4.82 | 4.86 | 4.87 | 4.88 | 4.90 |
| | 27.0 | 20703 | 20289 | 20188 | 19784 | 19606 | 4.80 | 4.84 | 4.85 | 4.86 | 4.88 |
| | 32.0 | 21040 | 20619 | 20516 | 20106 | 19925 | 4.77 | 4.81 | 4.82 | 4.83 | 4.85 |
| | 37.0 | 22393 | 21945 | 21835 | 21399 | 21206 | 4.74 | 4.78 | 4.79 | 4.80 | 4.82 |
| | 42.0 | 25271 | 24766 | 24642 | 24149 | 23932 | 4.71 | 4.75 | 4.75 | 4.76 | 4.78 |
| | 44.6 | 26423 | 25894 | 25765 | 25250 | 25022 | 4.69 | 4.73 | 4.74 | 4.75 | 4.77 |
| | 47.0 | 28150 | 27587 | 27449 | 26900 | 26658 | 4.66 | 4.70 | 4.70 | 4.71 | 4.73 |
| | 52.0 | 31028 | 30408 | 30256 | 29651 | 29384 | 4.62 | 4.65 | 4.66 | 4.67 | 4.69 |
| | 57.0 | 33907 | 33229 | 33062 | 32401 | 32110 | 4.58 | 4.61 | 4.62 | 4.63 | 4.65 |
| | 62.0 | 36785 | 36049 | 35869 | 35152 | 34835 | 4.54 | 4.57 | 4.58 | 4.59 | 4.61 |
| 64.4 | 37936 | 37178 | 36992 | 36252 | 35926 | 4.52 | 4.56 | 4.57 | 4.57 | 4.59 | |
| 1068 | -22.0 | 16917 | 16578 | 16495 | 16165 | 16020 | 6.08 | 6.13 | 6.14 | 6.15 | 6.18 |
| | -10.0 | 19738 | 19344 | 19247 | 18862 | 18692 | 5.72 | 5.76 | 5.77 | 5.79 | 5.81 |
| | 0.0 | 22090 | 21648 | 21540 | 21109 | 20919 | 5.41 | 5.46 | 5.47 | 5.48 | 5.50 |
| | 5.0 | 23266 | 22801 | 22687 | 22233 | 22033 | 5.26 | 5.31 | 5.32 | 5.33 | 5.35 |
| | 14.0 | 25382 | 24875 | 24750 | 24255 | 24037 | 4.99 | 5.03 | 5.04 | 5.05 | 5.07 |
| | 17.0 | 26088 | 25566 | 25438 | 24929 | 24705 | 4.90 | 4.94 | 4.95 | 4.96 | 4.98 |
| | 22.0 | 26526 | 25996 | 25866 | 25348 | 25120 | 4.87 | 4.91 | 4.92 | 4.93 | 4.95 |
| | 27.0 | 26965 | 26425 | 26293 | 25767 | 25535 | 4.85 | 4.89 | 4.90 | 4.90 | 4.92 |
| | 32.0 | 27403 | 26855 | 26721 | 26186 | 25951 | 4.82 | 4.86 | 4.87 | 4.88 | 4.90 |
| | 37.0 | 29166 | 28582 | 28439 | 27871 | 27620 | 4.79 | 4.82 | 4.83 | 4.84 | 4.86 |
| | 42.0 | 32915 | 32256 | 32095 | 31453 | 31170 | 4.75 | 4.79 | 4.80 | 4.81 | 4.83 |
| | 44.6 | 34414 | 33726 | 33557 | 32886 | 32590 | 4.74 | 4.78 | 4.79 | 4.80 | 4.82 |
| | 47.0 | 36663 | 35930 | 35751 | 35036 | 34720 | 4.70 | 4.74 | 4.75 | 4.76 | 4.78 |
| | 52.0 | 40412 | 39604 | 39406 | 38618 | 38270 | 4.66 | 4.70 | 4.71 | 4.72 | 4.74 |
| | 57.0 | 44161 | 43278 | 43062 | 42200 | 41821 | 4.62 | 4.66 | 4.67 | 4.68 | 4.70 |
| | 62.0 | 47910 | 46952 | 46717 | 45783 | 45371 | 4.58 | 4.62 | 4.63 | 4.64 | 4.66 |
| 64.4 | 49410 | 48422 | 48180 | 47216 | 46791 | 4.57 | 4.60 | 4.61 | 4.62 | 4.64 | |
| 1600 | -22.0 | 24605 | 24113 | 23992 | 23512 | 23301 | 6.14 | 6.19 | 6.20 | 6.21 | 6.24 |
| | -10.0 | 28709 | 28135 | 27995 | 27435 | 27188 | 5.77 | 5.82 | 5.83 | 5.84 | 5.87 |
| | 0.0 | 32130 | 31487 | 31330 | 30703 | 30427 | 5.47 | 5.51 | 5.52 | 5.54 | 5.56 |
| | 5.0 | 33840 | 33163 | 32997 | 32338 | 32046 | 5.32 | 5.36 | 5.37 | 5.38 | 5.40 |
| | 14.0 | 36918 | 36180 | 35999 | 35279 | 34962 | 5.04 | 5.08 | 5.09 | 5.10 | 5.12 |
| | 17.0 | 37945 | 37186 | 37000 | 36260 | 35933 | 4.95 | 4.99 | 5.00 | 5.01 | 5.03 |
| | 22.0 | 38582 | 37811 | 37621 | 36869 | 36537 | 4.92 | 4.96 | 4.97 | 4.98 | 5.00 |
| | 27.0 | 39220 | 38435 | 38243 | 37478 | 37141 | 4.90 | 4.93 | 4.94 | 4.95 | 4.97 |
| | 32.0 | 39857 | 39060 | 38865 | 38088 | 37745 | 4.87 | 4.91 | 4.92 | 4.93 | 4.95 |
| | 37.0 | 42421 | 41573 | 41365 | 40538 | 40173 | 4.83 | 4.87 | 4.88 | 4.89 | 4.91 |
| | 42.0 | 47874 | 46916 | 46682 | 45748 | 45336 | 4.80 | 4.84 | 4.85 | 4.86 | 4.88 |
| | 44.6 | 50055 | 49054 | 48809 | 47832 | 47402 | 4.79 | 4.83 | 4.84 | 4.85 | 4.87 |
| | 47.0 | 53327 | 52260 | 51999 | 50959 | 50500 | 4.75 | 4.79 | 4.80 | 4.81 | 4.83 |
| | 52.0 | 58780 | 57604 | 57316 | 56170 | 55664 | 4.71 | 4.75 | 4.76 | 4.77 | 4.79 |
| | 57.0 | 64232 | 62948 | 62633 | 61380 | 60828 | 4.67 | 4.71 | 4.72 | 4.73 | 4.75 |
| | 62.0 | 69685 | 68291 | 67950 | 66591 | 65992 | 4.63 | 4.67 | 4.68 | 4.68 | 4.70 |
| 64.4 | 71866 | 70429 | 70077 | 68675 | 68057 | 4.61 | 4.65 | 4.66 | 4.67 | 4.69 | |
| 1750 | -22.0 | 26128 | 25605 | 25477 | 24968 | 24743 | 6.20 | 6.25 | 6.26 | 6.28 | 6.30 |
| | -10.0 | 30486 | 29877 | 29727 | 29133 | 28871 | 5.83 | 5.88 | 5.89 | 5.90 | 5.93 |
| | 0.0 | 34118 | 33436 | 33269 | 32604 | 32310 | 5.52 | 5.57 | 5.58 | 5.59 | 5.61 |
| | 5.0 | 35935 | 35216 | 35040 | 34339 | 34030 | 5.37 | 5.41 | 5.42 | 5.43 | 5.46 |
| | 14.0 | 39203 | 38419 | 38227 | 37463 | 37126 | 5.09 | 5.13 | 5.14 | 5.15 | 5.17 |
| | 17.0 | 40293 | 39487 | 39290 | 38504 | 38157 | 5.00 | 5.04 | 5.05 | 5.06 | 5.08 |
| | 22.0 | 40970 | 40151 | 39950 | 39151 | 38799 | 4.97 | 5.01 | 5.02 | 5.03 | 5.05 |
| | 27.0 | 41647 | 40814 | 40610 | 39798 | 39440 | 4.94 | 4.98 | 4.99 | 5.00 | 5.02 |
| | 32.0 | 42324 | 41478 | 41270 | 40445 | 40081 | 4.92 | 4.96 | 4.97 | 4.98 | 5.00 |
| | 37.0 | 45047 | 44146 | 43925 | 43047 | 42659 | 4.88 | 4.92 | 4.93 | 4.94 | 4.96 |
| | 42.0 | 50837 | 49820 | 49571 | 48580 | 48142 | 4.85 | 4.89 | 4.90 | 4.91 | 4.93 |
| | 44.6 | 53153 | 52090 | 51830 | 50793 | 50336 | 4.84 | 4.88 | 4.89 | 4.90 | 4.92 |
| | 47.0 | 56627 | 55495 | 55217 | 54113 | 53626 | 4.80 | 4.84 | 4.85 | 4.86 | 4.88 |
| | 52.0 | 62418 | 61169 | 60863 | 59646 | 59109 | 4.76 | 4.80 | 4.81 | 4.82 | 4.83 |
| | 57.0 | 68208 | 66844 | 66510 | 65179 | 64593 | 4.72 | 4.75 | 4.76 | 4.77 | 4.79 |
| | 62.0 | 73998 | 72518 | 72156 | 70713 | 70076 | 4.67 | 4.71 | 4.72 | 4.73 | 4.75 |
| 64.4 | 76314 | 74788 | 74414 | 72926 | 72269 | 4.66 | 4.70 | 4.70 | 4.71 | 4.73 | |

NOTE: Data highlighted in gray is extrapolated data and not actual test data.

Manufacturer reserves the right to change, at any time, specifications and designs without notice and without obligations.

HEATING PERFORMANCE NON-DUCTED

HEATING PERFORMANCE 48HH (HIGH HEAT)

NON-DUCTED HEATING PERFORMANCE 48HH

| AIRFLOW (CFM) | OUTDOOR DB (°F) | TC : Total Heating Capacity (BTU/hr) | | | | | PI : Power Input (kW) | | | | |
|---------------|-----------------|--------------------------------------|-------|-------|-------|-------|---------------------------|------|-------|------|------|
| | | Indoor Conditions (DB °F) | | | | | Indoor Conditions (DB °F) | | | | |
| | | 60.8 | 68.0 | 70.0 | 71.6 | 75.2 | 60.8 | 68.0 | 70.00 | 71.6 | 75.2 |
| 820 | -22.0 | 23231 | 22766 | 22653 | 22200 | 22000 | 6.14 | 6.19 | 6.20 | 6.21 | 6.24 |
| | -10.0 | 23578 | 23107 | 22991 | 22531 | 22329 | 6.04 | 6.09 | 6.10 | 6.11 | 6.14 |
| | 0.0 | 23868 | 23390 | 23273 | 22808 | 22603 | 5.96 | 6.01 | 6.02 | 6.03 | 6.06 |
| | 5.0 | 24012 | 23532 | 23414 | 22946 | 22740 | 5.92 | 5.97 | 5.98 | 5.99 | 6.01 |
| | 14.0 | 24273 | 23787 | 23668 | 23195 | 22986 | 5.85 | 5.89 | 5.91 | 5.92 | 5.94 |
| | 17.0 | 24360 | 23872 | 23753 | 23278 | 23068 | 5.82 | 5.87 | 5.88 | 5.89 | 5.92 |
| | 22.0 | 24776 | 24281 | 24159 | 23676 | 23463 | 5.79 | 5.84 | 5.85 | 5.87 | 5.89 |
| | 27.0 | 25193 | 24689 | 24566 | 24074 | 23858 | 5.77 | 5.81 | 5.83 | 5.84 | 5.86 |
| | 32.0 | 25609 | 25097 | 24972 | 24472 | 24252 | 5.74 | 5.79 | 5.80 | 5.81 | 5.83 |
| | 37.0 | 26782 | 26247 | 26115 | 25593 | 25363 | 5.66 | 5.71 | 5.72 | 5.73 | 5.75 |
| | 42.0 | 29090 | 28508 | 28365 | 27798 | 27548 | 5.54 | 5.58 | 5.59 | 5.60 | 5.63 |
| | 44.6 | 30013 | 29412 | 29265 | 28680 | 28422 | 5.48 | 5.53 | 5.54 | 5.55 | 5.57 |
| | 47.0 | 31397 | 30769 | 30615 | 30003 | 29733 | 5.34 | 5.38 | 5.39 | 5.40 | 5.42 |
| | 52.0 | 33704 | 33030 | 32865 | 32208 | 31918 | 5.17 | 5.22 | 5.23 | 5.24 | 5.26 |
| | 57.0 | 36012 | 35291 | 35115 | 34413 | 34103 | 5.01 | 5.05 | 5.06 | 5.07 | 5.09 |
| | 62.0 | 38319 | 37553 | 37365 | 36618 | 36288 | 4.85 | 4.89 | 4.90 | 4.91 | 4.93 |
| 64.4 | 39242 | 38457 | 38265 | 37500 | 37162 | 4.79 | 4.83 | 4.84 | 4.84 | 4.86 | |
| 1068 | -22.0 | 30257 | 29652 | 29504 | 28913 | 28653 | 6.20 | 6.25 | 6.26 | 6.27 | 6.30 |
| | -10.0 | 30709 | 30095 | 29945 | 29346 | 29082 | 6.10 | 6.15 | 6.16 | 6.18 | 6.20 |
| | 0.0 | 31086 | 30464 | 30312 | 29706 | 29439 | 6.02 | 6.07 | 6.08 | 6.09 | 6.12 |
| | 5.0 | 31275 | 30649 | 30496 | 29886 | 29617 | 5.98 | 6.03 | 6.04 | 6.05 | 6.08 |
| | 14.0 | 31614 | 30982 | 30827 | 30210 | 29938 | 5.91 | 5.95 | 5.96 | 5.98 | 6.00 |
| | 17.0 | 31727 | 31092 | 30937 | 30318 | 30045 | 5.88 | 5.93 | 5.94 | 5.95 | 5.98 |
| | 22.0 | 32270 | 31624 | 31466 | 30837 | 30559 | 5.85 | 5.90 | 5.91 | 5.92 | 5.95 |
| | 27.0 | 32812 | 32156 | 31995 | 31355 | 31073 | 5.83 | 5.87 | 5.89 | 5.90 | 5.92 |
| | 32.0 | 33355 | 32688 | 32524 | 31874 | 31587 | 5.80 | 5.85 | 5.86 | 5.87 | 5.89 |
| | 37.0 | 34882 | 34185 | 34014 | 33334 | 33034 | 5.72 | 5.76 | 5.78 | 5.79 | 5.81 |
| | 42.0 | 37888 | 37130 | 36944 | 36205 | 35879 | 5.59 | 5.64 | 5.65 | 5.66 | 5.68 |
| | 44.6 | 39090 | 38308 | 38116 | 37354 | 37018 | 5.54 | 5.58 | 5.59 | 5.60 | 5.63 |
| | 47.0 | 40893 | 40075 | 39875 | 39077 | 38725 | 5.39 | 5.43 | 5.45 | 5.46 | 5.48 |
| | 52.0 | 43898 | 43020 | 42805 | 41949 | 41571 | 5.23 | 5.27 | 5.28 | 5.29 | 5.31 |
| | 57.0 | 46903 | 45965 | 45735 | 44820 | 44417 | 5.06 | 5.10 | 5.12 | 5.13 | 5.15 |
| | 62.0 | 49908 | 48910 | 48666 | 47692 | 47263 | 4.90 | 4.94 | 4.95 | 4.96 | 4.98 |
| 64.4 | 51110 | 50088 | 49838 | 48841 | 48401 | 4.84 | 4.87 | 4.88 | 4.89 | 4.91 | |
| 1600 | -22.0 | 44009 | 43128 | 42913 | 42054 | 41676 | 6.26 | 6.31 | 6.33 | 6.34 | 6.36 |
| | -10.0 | 44666 | 43773 | 43554 | 42683 | 42299 | 6.16 | 6.21 | 6.23 | 6.24 | 6.26 |
| | 0.0 | 45215 | 44310 | 44089 | 43207 | 42818 | 6.08 | 6.13 | 6.14 | 6.15 | 6.18 |
| | 5.0 | 45489 | 44579 | 44356 | 43469 | 43078 | 6.04 | 6.09 | 6.10 | 6.11 | 6.14 |
| | 14.0 | 45982 | 45062 | 44837 | 43940 | 43545 | 5.96 | 6.01 | 6.03 | 6.04 | 6.06 |
| | 17.0 | 46147 | 45224 | 44997 | 44098 | 43701 | 5.94 | 5.99 | 6.00 | 6.01 | 6.04 |
| | 22.0 | 46936 | 45997 | 45767 | 44852 | 44448 | 5.91 | 5.96 | 5.97 | 5.98 | 6.01 |
| | 27.0 | 47725 | 46770 | 46537 | 45606 | 45195 | 5.89 | 5.93 | 5.94 | 5.96 | 5.98 |
| | 32.0 | 48514 | 47544 | 47306 | 46360 | 45943 | 5.86 | 5.90 | 5.92 | 5.93 | 5.95 |
| | 37.0 | 50736 | 49721 | 49473 | 48483 | 48047 | 5.78 | 5.82 | 5.83 | 5.85 | 5.87 |
| | 42.0 | 55107 | 54005 | 53735 | 52660 | 52186 | 5.65 | 5.69 | 5.71 | 5.72 | 5.74 |
| | 44.6 | 56856 | 55718 | 55440 | 54331 | 53842 | 5.59 | 5.64 | 5.65 | 5.66 | 5.68 |
| | 47.0 | 59478 | 58289 | 57997 | 56837 | 56326 | 5.45 | 5.49 | 5.50 | 5.51 | 5.53 |
| | 52.0 | 63849 | 62572 | 62259 | 61014 | 60465 | 5.28 | 5.32 | 5.33 | 5.34 | 5.37 |
| | 57.0 | 68220 | 66856 | 66521 | 65191 | 64604 | 5.12 | 5.16 | 5.17 | 5.18 | 5.20 |
| | 62.0 | 72591 | 71139 | 70784 | 69368 | 68744 | 4.95 | 4.99 | 5.00 | 5.01 | 5.03 |
| 64.4 | 74340 | 72853 | 72489 | 71039 | 70399 | 4.88 | 4.92 | 4.93 | 4.94 | 4.96 | |
| 1750 | -22.0 | 46732 | 45798 | 45569 | 44657 | 44255 | 6.32 | 6.38 | 6.39 | 6.40 | 6.43 |
| | -10.0 | 47431 | 46482 | 46250 | 45325 | 44917 | 6.22 | 6.27 | 6.29 | 6.30 | 6.33 |
| | 0.0 | 48013 | 47053 | 46818 | 45881 | 45468 | 6.14 | 6.19 | 6.20 | 6.22 | 6.24 |
| | 5.0 | 48304 | 47338 | 47101 | 46159 | 45744 | 6.10 | 6.15 | 6.16 | 6.17 | 6.20 |
| | 14.0 | 48828 | 47851 | 47612 | 46660 | 46240 | 6.02 | 6.07 | 6.09 | 6.10 | 6.12 |
| | 17.0 | 49003 | 48023 | 47782 | 46827 | 46405 | 6.00 | 6.05 | 6.06 | 6.07 | 6.10 |
| | 22.0 | 49841 | 48844 | 48600 | 47628 | 47199 | 5.97 | 6.02 | 6.03 | 6.04 | 6.07 |
| | 27.0 | 50679 | 49665 | 49417 | 48429 | 47993 | 5.94 | 5.99 | 6.00 | 6.02 | 6.04 |
| | 32.0 | 51517 | 50487 | 50234 | 49229 | 48786 | 5.92 | 5.96 | 5.98 | 5.99 | 6.01 |
| | 37.0 | 53876 | 52799 | 52535 | 51484 | 51021 | 5.83 | 5.88 | 5.89 | 5.90 | 5.93 |
| | 42.0 | 58518 | 57348 | 57061 | 55920 | 55416 | 5.70 | 5.75 | 5.76 | 5.77 | 5.80 |
| | 44.6 | 60375 | 59167 | 58871 | 57694 | 57175 | 5.65 | 5.70 | 5.71 | 5.72 | 5.74 |
| | 47.0 | 63159 | 61896 | 61587 | 60355 | 59812 | 5.50 | 5.54 | 5.56 | 5.57 | 5.59 |
| | 52.0 | 67801 | 66445 | 66113 | 64791 | 64207 | 5.33 | 5.38 | 5.39 | 5.40 | 5.42 |
| | 57.0 | 72443 | 70994 | 70639 | 69226 | 68603 | 5.17 | 5.21 | 5.22 | 5.23 | 5.25 |
| | 62.0 | 77084 | 75542 | 75165 | 73661 | 72998 | 5.00 | 5.04 | 5.05 | 5.06 | 5.08 |
| 64.4 | 78941 | 77362 | 76975 | 75436 | 74757 | 4.93 | 4.97 | 4.98 | 4.99 | 5.01 | |

NOTE: Data highlighted in gray is extrapolated data and not actual test data.

Manufacturer reserves the right to change, at any time, specifications and designs without notice and without obligations.

COOLING PERFORMANCE DUCTED PLUS NON-DUCTED

- “COOLING PERFORMANCE 18R (STANDARD)” on page 47
- “COOLING PERFORMANCE 24HH (HIGH HEAT)” on page 51
- “COOLING PERFORMANCE 30HH (HIGH HEAT)” on page 55
- “COOLING PERFORMANCE 36R (STANDARD)” on page 59
- “COOLING PERFORMANCE 36HH (HIGH HEAT)” on page 63
- “COOLING PERFORMANCE 48R (STANDARD)” on page 67
- “COOLING PERFORMANCE 48HH (HIGH HEAT)” on page 71

COOLING PERFORMANCE 18R (STANDARD)

DUCTED PLUS NON-DUCTED COOLING PERFORMANCE 18R (Sheet 1 of 4)

| AIRFLOW (CFM) | OUTDOOR DB (°F) | DUCTED PLUS NON-DUCTED COOLING PERFORMANCE 18R (Sheet 1 of 4) | | | | | | | | | | | | | | | | |
|------------------|--------------------|---|------------|------|------|------|------|------|-------|-------|-------|-------|-------|-------|-------|-------|-------|-------|
| | | 60.8 | | | | 64.4 | | | | 66.2 | | | | 71.6 | | | | |
| | | ID WB (°F) | ID DB (°F) | 73.4 | 77.0 | 80.6 | 84.2 | 73.4 | 77.0 | 80.6 | 84.2 | 73.4 | 77.0 | 80.0 | 84.20 | 73.4 | 77.0 | 80.6 |
| 328 | -22 | TC | 9418 | 9431 | 9441 | 9454 | 9984 | 9996 | 10008 | 10020 | 10581 | 10594 | 10608 | 10620 | 11219 | 11231 | 11245 | 11259 |
| | | S/T | 0.21 | 0.25 | 0.28 | 0.32 | 0.22 | 0.26 | 0.30 | 0.34 | 0.24 | 0.28 | 0.32 | 0.36 | 0.25 | 0.29 | 0.33 | 0.38 |
| | | PI | 0.62 | 0.62 | 0.62 | 0.62 | 0.65 | 0.65 | 0.66 | 0.66 | 0.69 | 0.69 | 0.69 | 0.70 | 0.73 | 0.74 | 0.74 | 0.74 |
| | -10 | TC | 9348 | 9361 | 9371 | 9384 | 9910 | 9922 | 9934 | 9946 | 10502 | 10516 | 10530 | 10542 | 11136 | 11148 | 11162 | 11175 |
| | | S/T | 0.21 | 0.25 | 0.28 | 0.32 | 0.23 | 0.26 | 0.30 | 0.34 | 0.24 | 0.28 | 0.32 | 0.36 | 0.25 | 0.30 | 0.34 | 0.38 |
| | | PI | 0.62 | 0.63 | 0.63 | 0.63 | 0.66 | 0.66 | 0.66 | 0.66 | 0.70 | 0.70 | 0.70 | 0.70 | 0.74 | 0.74 | 0.75 | 0.75 |
| | 0 | TC | 9290 | 9303 | 9313 | 9326 | 9849 | 9860 | 9872 | 9884 | 10437 | 10451 | 10464 | 10476 | 11066 | 11078 | 11092 | 11106 |
| | | S/T | 0.21 | 0.25 | 0.28 | 0.32 | 0.23 | 0.27 | 0.30 | 0.34 | 0.24 | 0.28 | 0.32 | 0.36 | 0.25 | 0.30 | 0.34 | 0.39 |
| | | PI | 0.63 | 0.63 | 0.63 | 0.63 | 0.67 | 0.67 | 0.67 | 0.67 | 0.71 | 0.71 | 0.71 | 0.71 | 0.75 | 0.75 | 0.75 | 0.75 |
| | 5 | TC | 9261 | 9274 | 9284 | 9297 | 9818 | 9830 | 9841 | 9853 | 10405 | 10418 | 10432 | 10443 | 11032 | 11044 | 11058 | 11071 |
| | | S/T | 0.21 | 0.25 | 0.29 | 0.33 | 0.23 | 0.27 | 0.30 | 0.35 | 0.24 | 0.28 | 0.32 | 0.37 | 0.26 | 0.30 | 0.34 | 0.39 |
| | | PI | 0.63 | 0.63 | 0.64 | 0.64 | 0.67 | 0.67 | 0.67 | 0.67 | 0.71 | 0.71 | 0.71 | 0.72 | 0.76 | 0.76 | 0.76 | 0.76 |
| | 14 | TC | 9209 | 9221 | 9232 | 9244 | 9763 | 9774 | 9786 | 9797 | 10346 | 10359 | 10373 | 10384 | 10970 | 10982 | 10995 | 11009 |
| | | S/T | 0.22 | 0.25 | 0.29 | 0.33 | 0.23 | 0.27 | 0.30 | 0.35 | 0.24 | 0.28 | 0.32 | 0.37 | 0.26 | 0.30 | 0.34 | 0.39 |
| | | PI | 0.64 | 0.64 | 0.64 | 0.64 | 0.68 | 0.68 | 0.68 | 0.68 | 0.72 | 0.72 | 0.72 | 0.72 | 0.76 | 0.76 | 0.76 | 0.77 |
| | 17 | TC | 9192 | 9204 | 9214 | 9227 | 9744 | 9756 | 9767 | 9779 | 10326 | 10340 | 10353 | 10365 | 10949 | 10961 | 10974 | 10988 |
| | | S/T | 0.22 | 0.25 | 0.29 | 0.33 | 0.23 | 0.27 | 0.30 | 0.35 | 0.24 | 0.28 | 0.32 | 0.37 | 0.26 | 0.30 | 0.34 | 0.39 |
| | | PI | 0.64 | 0.64 | 0.64 | 0.64 | 0.68 | 0.68 | 0.68 | 0.68 | 0.72 | 0.72 | 0.72 | 0.72 | 0.76 | 0.77 | 0.77 | 0.77 |
| | 23 | TC | 9168 | 9181 | 9191 | 9204 | 9720 | 9731 | 9743 | 9754 | 10300 | 10314 | 10327 | 10339 | 10921 | 10933 | 10947 | 10960 |
| | | S/T | 0.22 | 0.25 | 0.29 | 0.33 | 0.23 | 0.27 | 0.31 | 0.35 | 0.24 | 0.29 | 0.32 | 0.37 | 0.26 | 0.30 | 0.34 | 0.39 |
| | | PI | 0.64 | 0.65 | 0.65 | 0.65 | 0.68 | 0.68 | 0.68 | 0.69 | 0.72 | 0.73 | 0.73 | 0.73 | 0.77 | 0.77 | 0.77 | 0.77 |
| | 32 | TC | 9134 | 9146 | 9156 | 9169 | 9683 | 9694 | 9706 | 9717 | 10261 | 10275 | 10288 | 10299 | 10880 | 10892 | 10905 | 10919 |
| | | S/T | 0.22 | 0.26 | 0.29 | 0.33 | 0.23 | 0.27 | 0.31 | 0.35 | 0.24 | 0.29 | 0.33 | 0.37 | 0.26 | 0.30 | 0.35 | 0.39 |
| | | PI | 0.65 | 0.65 | 0.65 | 0.65 | 0.69 | 0.69 | 0.69 | 0.69 | 0.73 | 0.73 | 0.73 | 0.73 | 0.77 | 0.77 | 0.77 | 0.78 |
| | 41 | TC | 9087 | 9099 | 9110 | 9122 | 9633 | 9645 | 9656 | 9668 | 10209 | 10222 | 10236 | 10247 | 10825 | 10836 | 10850 | 10863 |
| | | S/T | 0.22 | 0.26 | 0.29 | 0.33 | 0.23 | 0.27 | 0.31 | 0.35 | 0.25 | 0.29 | 0.33 | 0.37 | 0.26 | 0.31 | 0.35 | 0.40 |
| | | PI | 0.65 | 0.65 | 0.66 | 0.66 | 0.69 | 0.69 | 0.69 | 0.70 | 0.73 | 0.74 | 0.74 | 0.74 | 0.78 | 0.78 | 0.78 | 0.78 |
| | 47 | TC | 9052 | 9065 | 9075 | 9087 | 9597 | 9608 | 9619 | 9631 | 10170 | 10183 | 10196 | 10208 | 10783 | 10795 | 10808 | 10822 |
| | | S/T | 0.22 | 0.26 | 0.29 | 0.33 | 0.23 | 0.27 | 0.31 | 0.35 | 0.25 | 0.29 | 0.33 | 0.37 | 0.26 | 0.31 | 0.35 | 0.40 |
| | | PI | 0.66 | 0.66 | 0.66 | 0.66 | 0.70 | 0.70 | 0.70 | 0.70 | 0.74 | 0.74 | 0.74 | 0.74 | 0.78 | 0.78 | 0.79 | 0.79 |
| 50 | TC | 9046 | 9058 | 9068 | 9081 | 9590 | 9601 | 9613 | 9624 | 10163 | 10176 | 10189 | 10201 | 10776 | 10787 | 10801 | 10814 | |
| | S/T | 0.22 | 0.26 | 0.29 | 0.33 | 0.23 | 0.27 | 0.31 | 0.35 | 0.25 | 0.29 | 0.33 | 0.38 | 0.26 | 0.31 | 0.35 | 0.40 | |
| | PI | 0.66 | 0.66 | 0.66 | 0.66 | 0.70 | 0.70 | 0.70 | 0.70 | 0.74 | 0.74 | 0.74 | 0.74 | 0.78 | 0.79 | 0.79 | 0.79 | |
| 59 | TC | 9027 | 9039 | 9049 | 9062 | 9570 | 9581 | 9592 | 9604 | 10142 | 10155 | 10168 | 10179 | 10753 | 10765 | 10778 | 10791 | |
| | S/T | 0.22 | 0.26 | 0.29 | 0.34 | 0.23 | 0.27 | 0.31 | 0.36 | 0.25 | 0.29 | 0.33 | 0.38 | 0.26 | 0.31 | 0.35 | 0.40 | |
| | PI | 0.66 | 0.66 | 0.66 | 0.66 | 0.70 | 0.70 | 0.70 | 0.70 | 0.74 | 0.74 | 0.74 | 0.74 | 0.79 | 0.79 | 0.79 | 0.79 | |
| 68 | TC | 9008 | 9020 | 9030 | 9043 | 9550 | 9561 | 9572 | 9584 | 10120 | 10133 | 10147 | 10158 | 10730 | 10742 | 10755 | 10769 | |
| | S/T | 0.22 | 0.26 | 0.30 | 0.34 | 0.24 | 0.28 | 0.31 | 0.36 | 0.25 | 0.29 | 0.33 | 0.38 | 0.26 | 0.31 | 0.35 | 0.40 | |
| | PI | 0.66 | 0.66 | 0.66 | 0.67 | 0.70 | 0.70 | 0.70 | 0.70 | 0.74 | 0.75 | 0.75 | 0.75 | 0.79 | 0.79 | 0.79 | 0.79 | |
| 77 | TC | 8989 | 9001 | 9011 | 9024 | 9530 | 9541 | 9552 | 9563 | 10099 | 10112 | 10125 | 10137 | 10708 | 10719 | 10733 | 10746 | |
| | S/T | 0.23 | 0.27 | 0.30 | 0.35 | 0.24 | 0.28 | 0.32 | 0.37 | 0.26 | 0.30 | 0.34 | 0.39 | 0.27 | 0.32 | 0.36 | 0.41 | |
| | PI | 0.66 | 0.67 | 0.67 | 0.67 | 0.70 | 0.71 | 0.71 | 0.71 | 0.75 | 0.75 | 0.75 | 0.75 | 0.79 | 0.79 | 0.79 | 0.79 | |
| 86 | TC | 8860 | 8872 | 8882 | 8894 | 9393 | 9404 | 9415 | 9426 | 9954 | 9967 | 9980 | 9991 | 10554 | 10565 | 10579 | 10592 | |
| | S/T | 0.23 | 0.27 | 0.31 | 0.35 | 0.24 | 0.29 | 0.33 | 0.37 | 0.26 | 0.30 | 0.35 | 0.39 | 0.27 | 0.32 | 0.37 | 0.42 | |
| | PI | 0.76 | 0.76 | 0.76 | 0.76 | 0.81 | 0.81 | 0.81 | 0.81 | 0.85 | 0.85 | 0.86 | 0.86 | 0.90 | 0.91 | 0.91 | 0.91 | |
| 95 | TC | 8816 | 8828 | 8837 | 8849 | 9346 | 9357 | 9368 | 9379 | 9904 | 9917 | 9930 | 9941 | 10501 | 10512 | 10526 | 10539 | |
| | S/T | 0.24 | 0.28 | 0.32 | 0.36 | 0.25 | 0.29 | 0.33 | 0.38 | 0.27 | 0.31 | 0.35 | 0.40 | 0.28 | 0.33 | 0.38 | 0.43 | |
| | PI | 0.78 | 0.78 | 0.78 | 0.79 | 0.83 | 0.83 | 0.83 | 0.83 | 0.88 | 0.88 | 0.88 | 0.88 | 0.93 | 0.93 | 0.93 | 0.94 | |
| 104 | TC | 6788 | 6797 | 6804 | 6814 | 7196 | 7204 | 7213 | 7221 | 7626 | 7635 | 7645 | 7654 | 8085 | 8094 | 8104 | 8114 | |
| | S/T | 0.25 | 0.29 | 0.33 | 0.38 | 0.26 | 0.31 | 0.35 | 0.40 | 0.28 | 0.33 | 0.37 | 0.42 | 0.30 | 0.35 | 0.39 | 0.45 | |
| | PI | 1.63 | 1.63 | 1.63 | 1.64 | 1.73 | 1.73 | 1.73 | 1.73 | 1.83 | 1.83 | 1.84 | 1.84 | 1.94 | 1.94 | 1.95 | 1.95 | |
| 114.8 | TC | 4354 | 4360 | 4365 | 4370 | 4616 | 4621 | 4626 | 4632 | 4891 | 4898 | 4904 | 4910 | 5186 | 5192 | 5198 | 5205 | |
| | S/T | 0.25 | 0.29 | 0.34 | 0.38 | 0.27 | 0.31 | 0.36 | 0.41 | 0.28 | 0.33 | 0.38 | 0.43 | 0.30 | 0.35 | 0.40 | 0.46 | |
| | PI | 2.64 | 2.65 | 2.65 | 2.65 | 2.80 | 2.81 | 2.81 | 2.81 | 2.97 | 2.98 | 2.98 | 2.98 | 3.15 | 3.15 | 3.16 | 3.16 | |
| 122 | TC | 2731 | 2735 | 2738 | 2742 | 2896 | 2899 | 2902 | 2906 | 3069 | 3073 | 3077 | 3080 | 3254 | 3257 | 3261 | 3265 | |
| | S/T | 0.26 | 0.31 | 0.35 | 0.40 | 0.28 | 0.32 | 0.37 | 0.42 | 0.29 | 0.34 | 0.39 | 0.44 | 0.31 | 0.36 | 0.41 | 0.47 | |
| | PI | 3.32 | 3.33 | 3.33 | 3.33 | 3.52 | 3.53 | 3.53 | 3.53 | 3.73 | 3.74 | 3.74 | 3.75 | 3.96 | 3.96 | 3.97 | 3.97 | |

DUCTED PLUS NON-DUCTED COOLING PERFORMANCE 18R (Sheet 2 of 4)

| AIRFLOW (CFM) | OUTDOOR DB (°F) | ID WB (°F) ID DB (°F) | 60.8 | | | | 64.4 | | | | 66.2 | | | | 71.6 | | | |
|------------------|--------------------|--------------------------|-------|-------|-------|-------|-------|-------|-------|-------|-------|-------|-------|-------|-------|-------|-------|-------|
| | | | 73.4 | 77.0 | 80.6 | 84.2 | 73.4 | 77.0 | 80.6 | 84.2 | 73.4 | 77.0 | 80.0 | 84.20 | 73.4 | 77.0 | 80.6 | 84.2 |
| | | | TC | S/T | PI | TC | S/T | PI | TC | S/T | PI | TC | S/T | PI | TC | S/T | PI | TC |
| 427 | -22 | TC | 13500 | 13518 | 13533 | 13551 | 14311 | 14328 | 14345 | 14362 | 15166 | 15186 | 15206 | 15223 | 16081 | 16098 | 16118 | 16138 |
| | | S/T | 0.32 | 0.37 | 0.42 | 0.48 | 0.34 | 0.39 | 0.45 | 0.51 | 0.36 | 0.42 | 0.47 | 0.54 | 0.38 | 0.44 | 0.50 | 0.57 |
| | | PI | 0.92 | 0.92 | 0.92 | 0.93 | 0.98 | 0.98 | 0.98 | 0.98 | 1.04 | 1.04 | 1.04 | 1.04 | 1.10 | 1.10 | 1.10 | 1.10 |
| | -10 | TC | 13400 | 13418 | 13433 | 13451 | 14205 | 14222 | 14239 | 14256 | 15054 | 15074 | 15093 | 15110 | 15962 | 15979 | 15999 | 16019 |
| | | S/T | 0.32 | 0.37 | 0.43 | 0.48 | 0.34 | 0.40 | 0.45 | 0.51 | 0.36 | 0.42 | 0.48 | 0.54 | 0.38 | 0.45 | 0.51 | 0.58 |
| | | PI | 0.93 | 0.93 | 0.94 | 0.94 | 0.99 | 0.99 | 0.99 | 0.99 | 1.05 | 1.05 | 1.05 | 1.05 | 1.11 | 1.11 | 1.11 | 1.12 |
| | 0 | TC | 13317 | 13335 | 13350 | 13368 | 14117 | 14134 | 14151 | 14167 | 14961 | 14980 | 15000 | 15016 | 15863 | 15880 | 15900 | 15919 |
| | | S/T | 0.32 | 0.38 | 0.43 | 0.49 | 0.34 | 0.40 | 0.45 | 0.52 | 0.36 | 0.42 | 0.48 | 0.55 | 0.38 | 0.45 | 0.51 | 0.58 |
| | | PI | 0.94 | 0.94 | 0.95 | 0.95 | 1.00 | 1.00 | 1.00 | 1.00 | 1.06 | 1.06 | 1.06 | 1.06 | 1.12 | 1.12 | 1.13 | 1.13 |
| | 5 | TC | 13275 | 13293 | 13308 | 13326 | 14073 | 14090 | 14106 | 14123 | 14914 | 14933 | 14953 | 14969 | 15813 | 15830 | 15850 | 15870 |
| | | S/T | 0.32 | 0.38 | 0.43 | 0.49 | 0.34 | 0.40 | 0.45 | 0.52 | 0.36 | 0.42 | 0.48 | 0.55 | 0.38 | 0.45 | 0.51 | 0.58 |
| | | PI | 0.95 | 0.95 | 0.95 | 0.95 | 1.00 | 1.01 | 1.01 | 1.01 | 1.06 | 1.07 | 1.07 | 1.07 | 1.13 | 1.13 | 1.13 | 1.13 |
| | 14 | TC | 13200 | 13218 | 13233 | 13251 | 13994 | 14010 | 14027 | 14043 | 14830 | 14849 | 14868 | 14885 | 15724 | 15741 | 15761 | 15780 |
| | | S/T | 0.32 | 0.38 | 0.43 | 0.49 | 0.34 | 0.40 | 0.46 | 0.52 | 0.36 | 0.43 | 0.48 | 0.55 | 0.39 | 0.45 | 0.51 | 0.59 |
| | | PI | 0.96 | 0.96 | 0.96 | 0.96 | 1.01 | 1.02 | 1.02 | 1.02 | 1.07 | 1.08 | 1.08 | 1.08 | 1.14 | 1.14 | 1.14 | 1.14 |
| | 17 | TC | 13175 | 13193 | 13208 | 13226 | 13967 | 13984 | 14000 | 14017 | 14802 | 14821 | 14840 | 14857 | 15694 | 15711 | 15731 | 15750 |
| | | S/T | 0.32 | 0.38 | 0.43 | 0.49 | 0.34 | 0.40 | 0.46 | 0.52 | 0.36 | 0.43 | 0.49 | 0.55 | 0.39 | 0.45 | 0.51 | 0.59 |
| | | PI | 0.96 | 0.96 | 0.96 | 0.96 | 1.02 | 1.02 | 1.02 | 1.02 | 1.08 | 1.08 | 1.08 | 1.08 | 1.14 | 1.14 | 1.15 | 1.15 |
| | 23 | TC | 13142 | 13160 | 13174 | 13192 | 13932 | 13948 | 13965 | 13982 | 14764 | 14784 | 14803 | 14819 | 15655 | 15672 | 15691 | 15711 |
| | | S/T | 0.32 | 0.38 | 0.43 | 0.49 | 0.34 | 0.40 | 0.46 | 0.52 | 0.37 | 0.43 | 0.49 | 0.55 | 0.39 | 0.45 | 0.52 | 0.59 |
| | | PI | 0.96 | 0.96 | 0.97 | 0.97 | 1.02 | 1.02 | 1.02 | 1.02 | 1.08 | 1.08 | 1.09 | 1.09 | 1.15 | 1.15 | 1.15 | 1.15 |
| | 32 | TC | 13092 | 13110 | 13124 | 13142 | 13879 | 13895 | 13912 | 13928 | 14708 | 14727 | 14747 | 14763 | 15595 | 15612 | 15631 | 15651 |
| | | S/T | 0.33 | 0.38 | 0.44 | 0.50 | 0.35 | 0.41 | 0.46 | 0.53 | 0.37 | 0.43 | 0.49 | 0.56 | 0.39 | 0.46 | 0.52 | 0.59 |
| | | PI | 0.97 | 0.97 | 0.97 | 0.97 | 1.03 | 1.03 | 1.03 | 1.03 | 1.09 | 1.09 | 1.09 | 1.09 | 1.15 | 1.16 | 1.16 | 1.16 |
| | 41 | TC | 13026 | 13043 | 13058 | 13075 | 13808 | 13825 | 13841 | 13858 | 14634 | 14653 | 14672 | 14688 | 15516 | 15533 | 15552 | 15571 |
| | | S/T | 0.33 | 0.39 | 0.44 | 0.50 | 0.35 | 0.41 | 0.46 | 0.53 | 0.37 | 0.43 | 0.49 | 0.56 | 0.39 | 0.46 | 0.52 | 0.59 |
| | | PI | 0.98 | 0.98 | 0.98 | 0.98 | 1.04 | 1.04 | 1.04 | 1.04 | 1.10 | 1.10 | 1.10 | 1.10 | 1.16 | 1.17 | 1.17 | 1.17 |
| | 47 | TC | 12976 | 12993 | 13008 | 13025 | 13756 | 13772 | 13788 | 13805 | 14578 | 14596 | 14615 | 14632 | 15456 | 15473 | 15492 | 15512 |
| | | S/T | 0.33 | 0.39 | 0.44 | 0.50 | 0.35 | 0.41 | 0.46 | 0.53 | 0.37 | 0.43 | 0.49 | 0.56 | 0.39 | 0.46 | 0.52 | 0.60 |
| | | PI | 0.98 | 0.98 | 0.99 | 0.99 | 1.04 | 1.04 | 1.04 | 1.05 | 1.10 | 1.11 | 1.11 | 1.11 | 1.17 | 1.17 | 1.17 | 1.18 |
| | 50 | TC | 12967 | 12984 | 12999 | 13016 | 13746 | 13762 | 13779 | 13795 | 14567 | 14586 | 14605 | 14622 | 15446 | 15462 | 15482 | 15501 |
| | | S/T | 0.33 | 0.39 | 0.44 | 0.50 | 0.35 | 0.41 | 0.47 | 0.53 | 0.37 | 0.43 | 0.49 | 0.56 | 0.39 | 0.46 | 0.52 | 0.60 |
| | | PI | 0.98 | 0.99 | 0.99 | 0.99 | 1.04 | 1.04 | 1.05 | 1.05 | 1.11 | 1.11 | 1.11 | 1.11 | 1.17 | 1.17 | 1.17 | 1.18 |
| | 59 | TC | 12939 | 12957 | 12971 | 12989 | 13717 | 13733 | 13750 | 13766 | 14537 | 14556 | 14575 | 14591 | 15413 | 15430 | 15449 | 15468 |
| | | S/T | 0.33 | 0.39 | 0.44 | 0.50 | 0.35 | 0.41 | 0.47 | 0.53 | 0.37 | 0.44 | 0.50 | 0.57 | 0.39 | 0.46 | 0.53 | 0.60 |
| | | PI | 0.99 | 0.99 | 0.99 | 0.99 | 1.05 | 1.05 | 1.05 | 1.05 | 1.11 | 1.11 | 1.11 | 1.11 | 1.18 | 1.18 | 1.18 | 1.18 |
| | 68 | TC | 12912 | 12930 | 12944 | 12962 | 13688 | 13705 | 13721 | 13737 | 14506 | 14525 | 14544 | 14560 | 15381 | 15398 | 15417 | 15436 |
| | | S/T | 0.33 | 0.39 | 0.44 | 0.51 | 0.35 | 0.41 | 0.47 | 0.54 | 0.37 | 0.44 | 0.50 | 0.57 | 0.40 | 0.47 | 0.53 | 0.60 |
| | | PI | 0.99 | 0.99 | 0.99 | 0.99 | 1.05 | 1.05 | 1.05 | 1.05 | 1.11 | 1.11 | 1.12 | 1.12 | 1.18 | 1.18 | 1.18 | 1.18 |
| | 77 | TC | 12885 | 12902 | 12917 | 12934 | 13660 | 13676 | 13692 | 13708 | 14476 | 14495 | 14513 | 14530 | 15348 | 15365 | 15384 | 15403 |
| | | S/T | 0.34 | 0.40 | 0.46 | 0.52 | 0.36 | 0.43 | 0.48 | 0.55 | 0.38 | 0.45 | 0.51 | 0.58 | 0.41 | 0.48 | 0.54 | 0.62 |
| | | PI | 0.99 | 0.99 | 1.00 | 1.00 | 1.05 | 1.05 | 1.06 | 1.06 | 1.12 | 1.12 | 1.12 | 1.12 | 1.18 | 1.18 | 1.19 | 1.19 |
| | 86 | TC | 12700 | 12717 | 12731 | 12748 | 13463 | 13479 | 13495 | 13511 | 14268 | 14286 | 14305 | 14321 | 15128 | 15144 | 15163 | 15182 |
| | | S/T | 0.35 | 0.41 | 0.46 | 0.53 | 0.37 | 0.43 | 0.49 | 0.56 | 0.39 | 0.46 | 0.52 | 0.59 | 0.41 | 0.48 | 0.55 | 0.63 |
| | | PI | 1.14 | 1.14 | 1.14 | 1.14 | 1.20 | 1.20 | 1.21 | 1.21 | 1.28 | 1.28 | 1.28 | 1.28 | 1.35 | 1.35 | 1.36 | 1.36 |
| | 95 | TC | 12636 | 12653 | 12668 | 12685 | 13396 | 13412 | 13428 | 13444 | 14196 | 14215 | 14233 | 14249 | 15052 | 15068 | 15087 | 15106 |
| | | S/T | 0.36 | 0.42 | 0.47 | 0.54 | 0.38 | 0.44 | 0.50 | 0.57 | 0.40 | 0.47 | 0.53 | 0.61 | 0.42 | 0.50 | 0.56 | 0.64 |
| | | PI | 1.17 | 1.17 | 1.17 | 1.17 | 1.24 | 1.24 | 1.24 | 1.24 | 1.31 | 1.32 | 1.32 | 1.32 | 1.39 | 1.40 | 1.40 | 1.40 |
| 104 | TC | 9729 | 9742 | 9753 | 9766 | 10314 | 10326 | 10338 | 10351 | 10930 | 10945 | 10959 | 10971 | 11589 | 11602 | 11616 | 11631 | |
| | S/T | 0.37 | 0.44 | 0.50 | 0.57 | 0.40 | 0.46 | 0.53 | 0.60 | 0.42 | 0.49 | 0.56 | 0.64 | 0.44 | 0.52 | 0.59 | 0.68 | |
| | PI | 2.44 | 2.44 | 2.44 | 2.44 | 2.58 | 2.58 | 2.59 | 2.59 | 2.74 | 2.74 | 2.74 | 2.75 | 2.90 | 2.90 | 2.91 | 2.91 | |
| 114.8 | TC | 6241 | 6249 | 6256 | 6265 | 6616 | 6624 | 6632 | 6639 | 7011 | 7020 | 7029 | 7037 | 7434 | 7442 | 7451 | 7461 | |
| | S/T | 0.38 | 0.44 | 0.50 | 0.57 | 0.40 | 0.47 | 0.53 | 0.61 | 0.42 | 0.50 | 0.57 | 0.64 | 0.45 | 0.53 | 0.60 | 0.68 | |
| | PI | 3.95 | 3.96 | 3.96 | 3.97 | 4.19 | 4.20 | 4.20 | 4.21 | 4.44 | 4.45 | 4.45 | 4.46 | 4.71 | 4.71 | 4.72 | 4.73 | |
| 122 | TC | 3915 | 3920 | 3925 | 3930 | 4150 | 4155 | 4160 | 4165 | 4398 | 4404 | 4410 | 4415 | 4664 | 4669 | 4675 | 4680 | |
| | S/T | 0.39 | 0.46 | 0.52 | 0.59 | 0.41 | 0.49 | 0.55 | 0.63 | 0.44 | 0.52 | 0.59 | 0.67 | 0.47 | 0.55 | 0.62 | 0.71 | |
| | PI | 4.96 | 4.97 | 4.98 | 4.98 | 5.26 | 5.27 | 5.28 | 5.28 | 5.58 | 5.59 | 5.59 | 5.60 | 5.91 | 5.92 | 5.93 | 5.94 | |

DUCTED PLUS NON-DUCTED COOLING PERFORMANCE 18R (Sheet 3 of 4)

| AIRFLOW (CFM) | OUTDOOR DB (°F) | ID WB (°F) ID DB (°F) | 60.8 | | | | 64.4 | | | | 66.2 | | | | 71.6 | | | |
|------------------|--------------------|--------------------------|-------|-------|-------|-------|-------|-------|-------|-------|-------|-------|-------|-------|-------|-------|-------|-------|
| | | | 73.4 | 77.0 | 80.6 | 84.2 | 73.4 | 77.0 | 80.6 | 84.2 | 73.4 | 77.0 | 80.0 | 84.20 | 73.4 | 77.0 | 80.6 | 84.2 |
| | | | TC | S/T | PI | TC | S/T | PI | TC | S/T | PI | TC | S/T | PI | TC | S/T | PI | |
| 640 | -22 | TC | 20280 | 20307 | 20330 | 20358 | 21499 | 21524 | 21550 | 21575 | 22784 | 22813 | 22843 | 22868 | 24157 | 24183 | 24213 | 24244 |
| | | S/T | 0.48 | 0.56 | 0.63 | 0.72 | 0.50 | 0.59 | 0.67 | 0.77 | 0.53 | 0.63 | 0.71 | 0.81 | 0.57 | 0.67 | 0.76 | 0.86 |
| | | PI | 1.38 | 1.39 | 1.39 | 1.39 | 1.47 | 1.47 | 1.47 | 1.47 | 1.56 | 1.56 | 1.56 | 1.56 | 1.65 | 1.65 | 1.65 | 1.65 |
| | -10 | TC | 20130 | 20157 | 20180 | 20207 | 21340 | 21365 | 21391 | 21416 | 22615 | 22645 | 22674 | 22699 | 23979 | 24005 | 24034 | 24064 |
| | | S/T | 0.48 | 0.56 | 0.64 | 0.73 | 0.51 | 0.60 | 0.68 | 0.77 | 0.54 | 0.63 | 0.72 | 0.82 | 0.57 | 0.67 | 0.76 | 0.87 |
| | | PI | 1.40 | 1.40 | 1.41 | 1.41 | 1.49 | 1.49 | 1.49 | 1.49 | 1.57 | 1.58 | 1.58 | 1.58 | 1.67 | 1.67 | 1.67 | 1.68 |
| | 0 | TC | 20005 | 20032 | 20055 | 20082 | 21208 | 21233 | 21258 | 21283 | 22475 | 22504 | 22533 | 22558 | 23830 | 23856 | 23885 | 23915 |
| | | S/T | 0.48 | 0.57 | 0.64 | 0.73 | 0.51 | 0.60 | 0.68 | 0.78 | 0.54 | 0.64 | 0.72 | 0.82 | 0.57 | 0.67 | 0.77 | 0.87 |
| | | PI | 1.42 | 1.42 | 1.42 | 1.42 | 1.50 | 1.50 | 1.51 | 1.51 | 1.59 | 1.59 | 1.60 | 1.60 | 1.69 | 1.69 | 1.69 | 1.69 |
| | 5 | TC | 19943 | 19969 | 19992 | 20019 | 21141 | 21166 | 21191 | 21217 | 22405 | 22434 | 22463 | 22488 | 23755 | 23781 | 23811 | 23840 |
| | | S/T | 0.48 | 0.57 | 0.64 | 0.73 | 0.51 | 0.60 | 0.68 | 0.78 | 0.54 | 0.64 | 0.72 | 0.83 | 0.58 | 0.68 | 0.77 | 0.88 |
| | | PI | 1.42 | 1.43 | 1.43 | 1.43 | 1.51 | 1.51 | 1.51 | 1.51 | 1.60 | 1.60 | 1.60 | 1.61 | 1.70 | 1.70 | 1.70 | 1.70 |
| | 14 | TC | 19830 | 19857 | 19879 | 19906 | 21022 | 21047 | 21072 | 21097 | 22278 | 22307 | 22336 | 22361 | 23621 | 23647 | 23676 | 23706 |
| | | S/T | 0.49 | 0.57 | 0.65 | 0.74 | 0.51 | 0.60 | 0.69 | 0.78 | 0.55 | 0.64 | 0.73 | 0.83 | 0.58 | 0.68 | 0.77 | 0.88 |
| | | PI | 1.44 | 1.44 | 1.44 | 1.44 | 1.52 | 1.53 | 1.53 | 1.53 | 1.61 | 1.62 | 1.62 | 1.62 | 1.71 | 1.71 | 1.72 | 1.72 |
| | 17 | TC | 19793 | 19819 | 19842 | 19868 | 20982 | 21007 | 21032 | 21057 | 22236 | 22265 | 22294 | 22319 | 23579 | 23602 | 23632 | 23661 |
| | | S/T | 0.49 | 0.57 | 0.65 | 0.74 | 0.52 | 0.61 | 0.69 | 0.78 | 0.55 | 0.64 | 0.73 | 0.83 | 0.58 | 0.68 | 0.77 | 0.88 |
| | | PI | 1.44 | 1.44 | 1.44 | 1.45 | 1.53 | 1.53 | 1.53 | 1.53 | 1.62 | 1.62 | 1.62 | 1.63 | 1.72 | 1.72 | 1.72 | 1.72 |
| | 23 | TC | 19743 | 19769 | 19791 | 19818 | 20929 | 20954 | 20979 | 21004 | 22180 | 22209 | 22238 | 22263 | 23517 | 23543 | 23572 | 23601 |
| | | S/T | 0.49 | 0.57 | 0.65 | 0.74 | 0.52 | 0.61 | 0.69 | 0.79 | 0.55 | 0.64 | 0.73 | 0.83 | 0.58 | 0.68 | 0.78 | 0.88 |
| | | PI | 1.45 | 1.45 | 1.45 | 1.45 | 1.53 | 1.54 | 1.54 | 1.54 | 1.63 | 1.63 | 1.63 | 1.63 | 1.72 | 1.73 | 1.73 | 1.73 |
| | 32 | TC | 19668 | 19694 | 19716 | 19743 | 20850 | 20875 | 20899 | 20924 | 22096 | 22124 | 22153 | 22178 | 23428 | 23453 | 23482 | 23512 |
| | | S/T | 0.49 | 0.58 | 0.65 | 0.75 | 0.52 | 0.61 | 0.69 | 0.79 | 0.55 | 0.65 | 0.74 | 0.84 | 0.58 | 0.69 | 0.78 | 0.89 |
| | | PI | 1.46 | 1.46 | 1.46 | 1.46 | 1.54 | 1.55 | 1.55 | 1.55 | 1.64 | 1.64 | 1.64 | 1.64 | 1.73 | 1.74 | 1.74 | 1.74 |
| | 41 | TC | 19568 | 19594 | 19616 | 19643 | 20744 | 20768 | 20793 | 20818 | 21983 | 22012 | 22041 | 22065 | 23309 | 23334 | 23363 | 23392 |
| | | S/T | 0.49 | 0.58 | 0.66 | 0.75 | 0.52 | 0.61 | 0.70 | 0.79 | 0.55 | 0.65 | 0.74 | 0.84 | 0.59 | 0.69 | 0.78 | 0.89 |
| | | PI | 1.47 | 1.47 | 1.47 | 1.47 | 1.56 | 1.56 | 1.56 | 1.56 | 1.65 | 1.65 | 1.65 | 1.66 | 1.75 | 1.75 | 1.75 | 1.75 |
| | 47 | TC | 19493 | 19519 | 19541 | 19567 | 20664 | 20689 | 20713 | 20738 | 21899 | 21928 | 21956 | 21981 | 23219 | 23245 | 23274 | 23303 |
| | | S/T | 0.49 | 0.58 | 0.66 | 0.75 | 0.52 | 0.61 | 0.70 | 0.80 | 0.56 | 0.65 | 0.74 | 0.84 | 0.59 | 0.69 | 0.78 | 0.89 |
| | | PI | 1.48 | 1.48 | 1.48 | 1.48 | 1.57 | 1.57 | 1.57 | 1.57 | 1.66 | 1.66 | 1.66 | 1.67 | 1.76 | 1.76 | 1.76 | 1.77 |
| | 50 | TC | 19479 | 19505 | 19527 | 19554 | 20650 | 20674 | 20699 | 20724 | 21884 | 21912 | 21941 | 21965 | 23203 | 23228 | 23257 | 23286 |
| | | S/T | 0.50 | 0.58 | 0.66 | 0.75 | 0.53 | 0.62 | 0.70 | 0.80 | 0.56 | 0.65 | 0.74 | 0.85 | 0.59 | 0.69 | 0.79 | 0.90 |
| | | PI | 1.48 | 1.48 | 1.48 | 1.48 | 1.57 | 1.57 | 1.57 | 1.57 | 1.66 | 1.66 | 1.66 | 1.67 | 1.76 | 1.76 | 1.76 | 1.77 |
| | 59 | TC | 19438 | 19465 | 19486 | 19513 | 20607 | 20631 | 20656 | 20680 | 21838 | 21866 | 21895 | 21919 | 23155 | 23180 | 23209 | 23238 |
| | | S/T | 0.50 | 0.58 | 0.66 | 0.76 | 0.53 | 0.62 | 0.70 | 0.80 | 0.56 | 0.66 | 0.75 | 0.85 | 0.59 | 0.70 | 0.79 | 0.90 |
| | | PI | 1.48 | 1.48 | 1.49 | 1.49 | 1.57 | 1.57 | 1.58 | 1.58 | 1.67 | 1.67 | 1.67 | 1.67 | 1.77 | 1.77 | 1.77 | 1.77 |
| | 68 | TC | 19398 | 19424 | 19445 | 19472 | 20563 | 20588 | 20612 | 20637 | 21792 | 21821 | 21849 | 21873 | 23106 | 23131 | 23160 | 23189 |
| | | S/T | 0.50 | 0.59 | 0.67 | 0.76 | 0.53 | 0.62 | 0.71 | 0.81 | 0.56 | 0.66 | 0.75 | 0.86 | 0.60 | 0.70 | 0.80 | 0.91 |
| | | PI | 1.49 | 1.49 | 1.49 | 1.49 | 1.58 | 1.58 | 1.58 | 1.58 | 1.67 | 1.67 | 1.68 | 1.68 | 1.77 | 1.77 | 1.78 | 1.78 |
| | 77 | TC | 19357 | 19383 | 19405 | 19431 | 20520 | 20544 | 20569 | 20593 | 21746 | 21775 | 21803 | 21827 | 23057 | 23082 | 23111 | 23140 |
| | | S/T | 0.51 | 0.60 | 0.69 | 0.78 | 0.54 | 0.64 | 0.73 | 0.83 | 0.58 | 0.68 | 0.77 | 0.88 | 0.61 | 0.72 | 0.82 | 0.93 |
| | | PI | 1.49 | 1.49 | 1.50 | 1.50 | 1.58 | 1.58 | 1.59 | 1.59 | 1.68 | 1.68 | 1.68 | 1.68 | 1.78 | 1.78 | 1.78 | 1.78 |
| | 86 | TC | 19079 | 19104 | 19126 | 19151 | 20225 | 20249 | 20273 | 20297 | 21434 | 21462 | 21490 | 21514 | 22726 | 22751 | 22779 | 22807 |
| | | S/T | 0.52 | 0.61 | 0.69 | 0.79 | 0.55 | 0.65 | 0.74 | 0.84 | 0.59 | 0.69 | 0.78 | 0.89 | 0.62 | 0.73 | 0.83 | 0.94 |
| | | PI | 1.71 | 1.71 | 1.71 | 1.71 | 1.81 | 1.81 | 1.81 | 1.81 | 1.92 | 1.92 | 1.92 | 1.92 | 2.03 | 2.03 | 2.04 | 2.04 |
| | 95 | TC | 18983 | 19009 | 19030 | 19056 | 20124 | 20148 | 20172 | 20196 | 21327 | 21354 | 21382 | 21406 | 22612 | 22637 | 22665 | 22693 |
| | | S/T | 0.53 | 0.63 | 0.71 | 0.81 | 0.57 | 0.66 | 0.75 | 0.86 | 0.60 | 0.70 | 0.80 | 0.91 | 0.64 | 0.75 | 0.85 | 0.97 |
| | | PI | 1.76 | 1.76 | 1.76 | 1.76 | 1.86 | 1.87 | 1.87 | 1.87 | 1.97 | 1.98 | 1.98 | 1.98 | 2.09 | 2.10 | 2.10 | 2.10 |
| | 104 | TC | 14616 | 14636 | 14652 | 14672 | 15494 | 15513 | 15531 | 15550 | 16420 | 16442 | 16463 | 16481 | 17410 | 17429 | 17451 | 17472 |
| | | S/T | 0.56 | 0.66 | 0.75 | 0.85 | 0.59 | 0.70 | 0.79 | 0.90 | 0.63 | 0.74 | 0.84 | 0.96 | 0.67 | 0.78 | 0.89 | 1.02 |
| | | PI | 3.66 | 3.66 | 3.67 | 3.67 | 3.88 | 3.88 | 3.89 | 3.89 | 4.11 | 4.12 | 4.12 | 4.12 | 4.36 | 4.36 | 4.37 | 4.37 |
| | 114.8 | TC | 9375 | 9388 | 9398 | 9411 | 9939 | 9951 | 9962 | 9974 | 10533 | 10546 | 10560 | 10572 | 11168 | 11180 | 11194 | 11208 |
| | | S/T | 0.57 | 0.67 | 0.76 | 0.86 | 0.60 | 0.71 | 0.80 | 0.91 | 0.64 | 0.75 | 0.85 | 0.97 | 0.68 | 0.79 | 0.90 | 1.03 |
| | | PI | 5.94 | 5.95 | 5.95 | 5.96 | 6.30 | 6.30 | 6.31 | 6.32 | 6.67 | 6.68 | 6.69 | 6.70 | 7.07 | 7.08 | 7.09 | 7.10 |
| | 122 | TC | 5882 | 5889 | 5896 | 5904 | 6235 | 6242 | 6250 | 6257 | 6608 | 6616 | 6625 | 6632 | 7006 | 7014 | 7022 | 7031 |
| | | S/T | 0.59 | 0.69 | 0.78 | 0.89 | 0.62 | 0.73 | 0.83 | 0.95 | 0.66 | 0.77 | 0.88 | 1.00 | 0.70 | 0.82 | 0.93 | 1.06 |
| | | PI | 7.46 | 7.47 | 7.48 | 7.49 | 7.91 | 7.92 | 7.93 | 7.94 | 8.38 | 8.39 | 8.40 | 8.41 | 8.88 | 8.89 | 8.91 | 8.92 |

DUCTED PLUS NON-DUCTED COOLING PERFORMANCE 18R (Sheet 4 of 4)

| AIRFLOW (CFM) | OUTDOOR DB (°F) | ID WB (°F) ID DB (°F) | 60.8 | | | | 64.4 | | | | 66.2 | | | | 71.6 | | | |
|---------------|-----------------|--------------------------|-------|-------|-------|-------|-------|-------|-------|-------|-------|-------|-------|-------|-------|-------|-------|-------|
| | | | 73.4 | 77.0 | 80.6 | 84.2 | 73.4 | 77.0 | 80.6 | 84.2 | 73.4 | 77.0 | 80.0 | 84.20 | 73.4 | 77.0 | 80.6 | 84.2 |
| | | | | | | | | | | | | | | | | | | |
| 700 | -22 | TC | 21188 | 21216 | 21240 | 21269 | 22461 | 22488 | 22514 | 22541 | 23803 | 23834 | 23865 | 23892 | 25238 | 25266 | 25297 | 25329 |
| | | S/T | 0.50 | 0.58 | 0.66 | 0.76 | 0.53 | 0.62 | 0.70 | 0.80 | 0.56 | 0.66 | 0.74 | 0.85 | 0.59 | 0.69 | 0.79 | 0.90 |
| | | PI | 1.45 | 1.45 | 1.45 | 1.45 | 1.53 | 1.54 | 1.54 | 1.54 | 1.62 | 1.63 | 1.63 | 1.63 | 1.72 | 1.72 | 1.73 | 1.73 |
| | -10 | TC | 21031 | 21059 | 21083 | 21111 | 22295 | 22322 | 22348 | 22374 | 23627 | 23658 | 23689 | 23715 | 25052 | 25079 | 25110 | 25141 |
| | | S/T | 0.50 | 0.59 | 0.67 | 0.76 | 0.53 | 0.62 | 0.71 | 0.81 | 0.56 | 0.66 | 0.75 | 0.85 | 0.60 | 0.70 | 0.79 | 0.91 |
| | | PI | 1.46 | 1.47 | 1.47 | 1.47 | 1.55 | 1.55 | 1.56 | 1.56 | 1.65 | 1.65 | 1.65 | 1.65 | 1.74 | 1.75 | 1.75 | 1.75 |
| | 0 | TC | 20901 | 20929 | 20952 | 20980 | 22157 | 22183 | 22209 | 22236 | 23481 | 23511 | 23542 | 23568 | 24896 | 24923 | 24954 | 24985 |
| | | S/T | 0.50 | 0.59 | 0.67 | 0.77 | 0.53 | 0.63 | 0.71 | 0.81 | 0.57 | 0.66 | 0.75 | 0.86 | 0.60 | 0.70 | 0.80 | 0.91 |
| | | PI | 1.48 | 1.48 | 1.48 | 1.49 | 1.57 | 1.57 | 1.57 | 1.57 | 1.66 | 1.66 | 1.67 | 1.67 | 1.76 | 1.76 | 1.77 | 1.77 |
| | 5 | TC | 20835 | 20863 | 20887 | 20915 | 22088 | 22114 | 22140 | 22166 | 23407 | 23438 | 23468 | 23494 | 24818 | 24845 | 24876 | 24907 |
| | | S/T | 0.50 | 0.59 | 0.67 | 0.77 | 0.54 | 0.63 | 0.71 | 0.81 | 0.57 | 0.67 | 0.76 | 0.86 | 0.60 | 0.71 | 0.80 | 0.91 |
| | | PI | 1.49 | 1.49 | 1.49 | 1.49 | 1.58 | 1.58 | 1.58 | 1.58 | 1.67 | 1.67 | 1.68 | 1.68 | 1.77 | 1.77 | 1.78 | 1.78 |
| | 14 | TC | 20718 | 20746 | 20769 | 20797 | 21963 | 21989 | 22015 | 22041 | 23275 | 23306 | 23336 | 23362 | 24679 | 24705 | 24736 | 24767 |
| | | S/T | 0.51 | 0.60 | 0.68 | 0.77 | 0.54 | 0.63 | 0.72 | 0.82 | 0.57 | 0.67 | 0.76 | 0.87 | 0.60 | 0.71 | 0.81 | 0.92 |
| | | PI | 1.50 | 1.50 | 1.51 | 1.51 | 1.59 | 1.59 | 1.60 | 1.60 | 1.69 | 1.69 | 1.69 | 1.69 | 1.79 | 1.79 | 1.79 | 1.79 |
| | 17 | TC | 20679 | 20706 | 20730 | 20758 | 21921 | 21947 | 21973 | 22000 | 23231 | 23262 | 23292 | 23318 | 24632 | 24659 | 24689 | 24720 |
| | | S/T | 0.51 | 0.60 | 0.68 | 0.77 | 0.54 | 0.63 | 0.72 | 0.82 | 0.57 | 0.67 | 0.76 | 0.87 | 0.61 | 0.71 | 0.81 | 0.92 |
| | | PI | 1.51 | 1.51 | 1.51 | 1.51 | 1.60 | 1.60 | 1.60 | 1.60 | 1.69 | 1.69 | 1.70 | 1.70 | 1.79 | 1.80 | 1.80 | 1.80 |
| | 23 | TC | 20626 | 20654 | 20677 | 20705 | 21866 | 21892 | 21918 | 21944 | 23173 | 23203 | 23233 | 23259 | 24570 | 24596 | 24627 | 24658 |
| | | S/T | 0.51 | 0.60 | 0.68 | 0.78 | 0.54 | 0.63 | 0.72 | 0.82 | 0.57 | 0.67 | 0.76 | 0.87 | 0.61 | 0.71 | 0.81 | 0.92 |
| | | PI | 1.51 | 1.51 | 1.52 | 1.52 | 1.60 | 1.60 | 1.61 | 1.61 | 1.70 | 1.70 | 1.70 | 1.71 | 1.80 | 1.80 | 1.81 | 1.81 |
| | 32 | TC | 20548 | 20576 | 20599 | 20627 | 21783 | 21809 | 21835 | 21861 | 23085 | 23115 | 23145 | 23171 | 24476 | 24503 | 24533 | 24564 |
| | | S/T | 0.51 | 0.60 | 0.68 | 0.78 | 0.54 | 0.64 | 0.72 | 0.83 | 0.58 | 0.68 | 0.77 | 0.88 | 0.61 | 0.72 | 0.81 | 0.93 |
| | | PI | 1.52 | 1.52 | 1.53 | 1.53 | 1.61 | 1.61 | 1.62 | 1.62 | 1.71 | 1.71 | 1.71 | 1.72 | 1.81 | 1.81 | 1.82 | 1.82 |
| | 41 | TC | 20444 | 20471 | 20494 | 20522 | 21672 | 21698 | 21724 | 21750 | 22967 | 22997 | 23027 | 23053 | 24352 | 24378 | 24409 | 24439 |
| | | S/T | 0.52 | 0.60 | 0.69 | 0.78 | 0.55 | 0.64 | 0.73 | 0.83 | 0.58 | 0.68 | 0.77 | 0.88 | 0.61 | 0.72 | 0.82 | 0.93 |
| | | PI | 1.53 | 1.54 | 1.54 | 1.54 | 1.63 | 1.63 | 1.63 | 1.63 | 1.72 | 1.73 | 1.73 | 1.73 | 1.83 | 1.83 | 1.83 | 1.83 |
| | 47 | TC | 20365 | 20393 | 20416 | 20443 | 21589 | 21615 | 21640 | 21666 | 22879 | 22909 | 22939 | 22965 | 24259 | 24285 | 24315 | 24346 |
| | | S/T | 0.52 | 0.61 | 0.69 | 0.78 | 0.55 | 0.64 | 0.73 | 0.83 | 0.58 | 0.68 | 0.77 | 0.88 | 0.61 | 0.72 | 0.82 | 0.93 |
| | | PI | 1.54 | 1.54 | 1.55 | 1.55 | 1.64 | 1.64 | 1.64 | 1.64 | 1.73 | 1.74 | 1.74 | 1.74 | 1.84 | 1.84 | 1.84 | 1.84 |
| | 50 | TC | 20351 | 20378 | 20401 | 20429 | 21574 | 21600 | 21625 | 21651 | 22863 | 22893 | 22923 | 22948 | 24242 | 24268 | 24298 | 24329 |
| | | S/T | 0.52 | 0.61 | 0.69 | 0.79 | 0.55 | 0.64 | 0.73 | 0.83 | 0.58 | 0.68 | 0.78 | 0.88 | 0.62 | 0.72 | 0.82 | 0.94 |
| | | PI | 1.54 | 1.55 | 1.55 | 1.55 | 1.64 | 1.64 | 1.64 | 1.64 | 1.74 | 1.74 | 1.74 | 1.74 | 1.84 | 1.84 | 1.84 | 1.85 |
| | 59 | TC | 20308 | 20336 | 20359 | 20386 | 21529 | 21555 | 21580 | 21606 | 22816 | 22845 | 22875 | 22900 | 24191 | 24217 | 24247 | 24278 |
| | | S/T | 0.52 | 0.61 | 0.69 | 0.79 | 0.55 | 0.65 | 0.74 | 0.84 | 0.58 | 0.69 | 0.78 | 0.89 | 0.62 | 0.73 | 0.83 | 0.94 |
| | | PI | 1.55 | 1.55 | 1.55 | 1.56 | 1.64 | 1.64 | 1.65 | 1.65 | 1.74 | 1.74 | 1.75 | 1.75 | 1.85 | 1.85 | 1.85 | 1.85 |
| | 68 | TC | 20266 | 20293 | 20316 | 20343 | 21484 | 21509 | 21535 | 21560 | 22768 | 22797 | 22827 | 22852 | 24140 | 24166 | 24196 | 24227 |
| | | S/T | 0.52 | 0.61 | 0.70 | 0.79 | 0.55 | 0.65 | 0.74 | 0.84 | 0.59 | 0.69 | 0.78 | 0.89 | 0.62 | 0.73 | 0.83 | 0.95 |
| | | PI | 1.55 | 1.56 | 1.56 | 1.56 | 1.65 | 1.65 | 1.65 | 1.65 | 1.75 | 1.75 | 1.75 | 1.75 | 1.85 | 1.85 | 1.86 | 1.86 |
| | 77 | TC | 20223 | 20250 | 20273 | 20300 | 21439 | 21464 | 21489 | 21515 | 22720 | 22749 | 22779 | 22804 | 24089 | 24116 | 24146 | 24176 |
| | | S/T | 0.54 | 0.63 | 0.72 | 0.82 | 0.57 | 0.67 | 0.76 | 0.86 | 0.60 | 0.71 | 0.80 | 0.92 | 0.64 | 0.75 | 0.85 | 0.97 |
| | | PI | 1.56 | 1.56 | 1.56 | 1.57 | 1.65 | 1.66 | 1.66 | 1.66 | 1.75 | 1.75 | 1.76 | 1.76 | 1.86 | 1.86 | 1.86 | 1.86 |
| | 86 | TC | 19933 | 19959 | 19982 | 20009 | 21131 | 21156 | 21181 | 21206 | 22393 | 22422 | 22451 | 22477 | 23743 | 23769 | 23799 | 23828 |
| | | S/T | 0.54 | 0.64 | 0.72 | 0.83 | 0.58 | 0.68 | 0.77 | 0.88 | 0.61 | 0.72 | 0.81 | 0.93 | 0.65 | 0.76 | 0.86 | 0.98 |
| | | PI | 1.78 | 1.78 | 1.79 | 1.79 | 1.89 | 1.89 | 1.89 | 1.90 | 2.00 | 2.00 | 2.01 | 2.01 | 2.12 | 2.12 | 2.13 | 2.13 |
| | 95 | TC | 19833 | 19859 | 19882 | 19908 | 21025 | 21050 | 21075 | 21100 | 22281 | 22310 | 22339 | 22364 | 23624 | 23650 | 23679 | 23709 |
| | | S/T | 0.56 | 0.65 | 0.74 | 0.85 | 0.59 | 0.69 | 0.79 | 0.90 | 0.63 | 0.74 | 0.84 | 0.95 | 0.66 | 0.78 | 0.89 | 1.01 |
| | | PI | 1.84 | 1.84 | 1.84 | 1.84 | 1.95 | 1.95 | 1.95 | 1.95 | 2.06 | 2.07 | 2.07 | 2.07 | 2.19 | 2.19 | 2.19 | 2.20 |
| 104 | TC | 15270 | 15291 | 15308 | 15328 | 16188 | 16207 | 16226 | 16245 | 17155 | 17177 | 17200 | 17219 | 18189 | 18209 | 18232 | 18254 | |
| | S/T | 0.59 | 0.69 | 0.78 | 0.89 | 0.62 | 0.73 | 0.83 | 0.94 | 0.66 | 0.77 | 0.88 | 1.00 | 0.70 | 0.82 | 0.93 | 1.06 | |
| | PI | 3.82 | 3.83 | 3.83 | 3.84 | 4.05 | 4.06 | 4.06 | 4.07 | 4.29 | 4.30 | 4.30 | 4.31 | 4.55 | 4.56 | 4.56 | 4.57 | |
| 114.8 | TC | 9795 | 9808 | 9819 | 9832 | 10384 | 10396 | 10408 | 10421 | 11004 | 11018 | 11033 | 11045 | 11667 | 11680 | 11695 | 11709 | |
| | S/T | 0.59 | 0.70 | 0.79 | 0.90 | 0.63 | 0.74 | 0.84 | 0.95 | 0.67 | 0.78 | 0.89 | 1.01 | 0.71 | 0.83 | 0.94 | 1.07 | |
| | PI | 6.20 | 6.21 | 6.22 | 6.23 | 6.58 | 6.58 | 6.59 | 6.60 | 6.97 | 6.98 | 6.99 | 7.00 | 7.39 | 7.40 | 7.41 | 7.42 | |
| 122 | TC | 6145 | 6153 | 6160 | 6168 | 6514 | 6522 | 6530 | 6537 | 6903 | 6912 | 6920 | 6929 | 7320 | 7328 | 7337 | 7346 | |
| | S/T | 0.61 | 0.72 | 0.82 | 0.93 | 0.65 | 0.76 | 0.87 | 0.99 | 0.69 | 0.81 | 0.92 | 1.05 | 0.73 | 0.86 | 0.97 | 1.11 | |
| | PI | 7.79 | 7.80 | 7.81 | 7.82 | 8.26 | 8.27 | 8.28 | 8.29 | 8.75 | 8.77 | 8.78 | 8.79 | 9.28 | 9.29 | 9.30 | 9.32 | |

NOTE: Data highlighted in gray is extrapolated data and not actual test data. At 77°F outdoor conditions sweat protection activates causing a decrease in total capacity.

LEGEND
 TC - Total Net Capacity (Btu/hour)
 S/T: Sensible Cooling Capacity Ratio
 PI: Power Input (kW)
 Extrapolated Data

COOLING PERFORMANCE DUCTED PLUS NON-DUCTED

COOLING PERFORMANCE 24HH (HIGH HEAT)

DUCTED PLUS NON-DUCTED COOLING PERFORMANCE 24HH (Sheet 1 of 4)

| AIRFLOW (CFM) | OUTDOOR DB (°F) | ID WB (°F) | 60.8 | | | | 64.4 | | | | 66.2 | | | | 71.6 | | | |
|---------------|-----------------|------------|-------|-------|-------|-------|-------|-------|-------|-------|-------|-------|-------|-------|-------|-------|-------|-------|
| | | | 73.4 | 77.0 | 80.6 | 84.2 | 73.4 | 77.0 | 80.6 | 84.2 | 73.4 | 77.0 | 80.0 | 84.20 | 73.4 | 77.0 | 80.6 | 84.2 |
| 492 | -22 | TC | 15772 | 15793 | 15811 | 15832 | 16720 | 16740 | 16760 | 16780 | 17719 | 17742 | 17765 | 17785 | 18787 | 18808 | 18831 | 18855 |
| | | S/T | 0.21 | 0.25 | 0.28 | 0.32 | 0.22 | 0.26 | 0.30 | 0.34 | 0.24 | 0.28 | 0.32 | 0.36 | 0.25 | 0.29 | 0.33 | 0.38 |
| | | PI | 0.93 | 0.94 | 0.94 | 0.94 | 0.99 | 0.99 | 0.99 | 0.99 | 1.05 | 1.05 | 1.05 | 1.05 | 1.11 | 1.11 | 1.11 | 1.12 |
| | -10 | TC | 15633 | 15654 | 15671 | 15693 | 16572 | 16592 | 16612 | 16631 | 17563 | 17586 | 17608 | 17628 | 18621 | 18642 | 18665 | 18688 |
| | | S/T | 0.21 | 0.25 | 0.28 | 0.32 | 0.22 | 0.26 | 0.30 | 0.34 | 0.24 | 0.28 | 0.32 | 0.36 | 0.25 | 0.30 | 0.34 | 0.38 |
| | | PI | 0.95 | 0.95 | 0.96 | 0.96 | 1.01 | 1.01 | 1.01 | 1.01 | 1.07 | 1.07 | 1.07 | 1.08 | 1.14 | 1.14 | 1.14 | 1.14 |
| | 0 | TC | 15517 | 15538 | 15555 | 15576 | 16449 | 16469 | 16488 | 16508 | 17432 | 17455 | 17478 | 17497 | 18483 | 18503 | 18526 | 18549 |
| | | S/T | 0.21 | 0.25 | 0.28 | 0.32 | 0.23 | 0.27 | 0.30 | 0.34 | 0.24 | 0.28 | 0.32 | 0.36 | 0.25 | 0.30 | 0.34 | 0.39 |
| | | PI | 0.97 | 0.97 | 0.97 | 0.97 | 1.03 | 1.03 | 1.03 | 1.03 | 1.09 | 1.09 | 1.09 | 1.09 | 1.16 | 1.16 | 1.16 | 1.16 |
| | 5 | TC | 15459 | 15480 | 15497 | 15518 | 16388 | 16407 | 16427 | 16446 | 17367 | 17390 | 17412 | 17432 | 18414 | 18434 | 18457 | 18480 |
| | | S/T | 0.21 | 0.25 | 0.29 | 0.33 | 0.23 | 0.27 | 0.30 | 0.34 | 0.24 | 0.28 | 0.32 | 0.37 | 0.25 | 0.30 | 0.34 | 0.39 |
| | | PI | 0.98 | 0.98 | 0.98 | 0.98 | 1.04 | 1.04 | 1.04 | 1.04 | 1.10 | 1.10 | 1.10 | 1.10 | 1.16 | 1.17 | 1.17 | 1.17 |
| | 14 | TC | 15354 | 15375 | 15392 | 15413 | 16277 | 16296 | 16316 | 16335 | 17250 | 17272 | 17295 | 17314 | 18290 | 18310 | 18332 | 18355 |
| | | S/T | 0.22 | 0.25 | 0.29 | 0.33 | 0.23 | 0.27 | 0.30 | 0.35 | 0.24 | 0.28 | 0.32 | 0.37 | 0.26 | 0.30 | 0.34 | 0.39 |
| | | PI | 0.99 | 0.99 | 0.99 | 1.00 | 1.05 | 1.05 | 1.05 | 1.06 | 1.12 | 1.12 | 1.12 | 1.12 | 1.18 | 1.18 | 1.18 | 1.19 |
| | 17 | TC | 15319 | 15340 | 15357 | 15378 | 16240 | 16259 | 16279 | 16298 | 17211 | 17233 | 17255 | 17275 | 18248 | 18268 | 18291 | 18314 |
| | | S/T | 0.22 | 0.25 | 0.29 | 0.33 | 0.23 | 0.27 | 0.30 | 0.35 | 0.24 | 0.28 | 0.32 | 0.37 | 0.26 | 0.30 | 0.34 | 0.39 |
| | | PI | 1.00 | 1.00 | 1.00 | 1.00 | 1.06 | 1.06 | 1.06 | 1.06 | 1.12 | 1.12 | 1.12 | 1.12 | 1.19 | 1.19 | 1.19 | 1.19 |
| | 23 | TC | 15273 | 15294 | 15311 | 15331 | 16191 | 16210 | 16229 | 16249 | 17159 | 17181 | 17203 | 17222 | 18193 | 18213 | 18235 | 18258 |
| | | S/T | 0.22 | 0.25 | 0.29 | 0.33 | 0.23 | 0.27 | 0.31 | 0.35 | 0.24 | 0.28 | 0.32 | 0.37 | 0.26 | 0.30 | 0.34 | 0.39 |
| | | PI | 1.00 | 1.01 | 1.01 | 1.01 | 1.06 | 1.07 | 1.07 | 1.07 | 1.13 | 1.13 | 1.13 | 1.13 | 1.20 | 1.20 | 1.20 | 1.20 |
| | 32 | TC | 15203 | 15224 | 15241 | 15262 | 16117 | 16136 | 16155 | 16175 | 17080 | 17102 | 17125 | 17144 | 18110 | 18130 | 18152 | 18175 |
| | | S/T | 0.22 | 0.25 | 0.29 | 0.33 | 0.23 | 0.27 | 0.31 | 0.35 | 0.24 | 0.29 | 0.33 | 0.37 | 0.26 | 0.30 | 0.34 | 0.39 |
| | | PI | 1.01 | 1.02 | 1.02 | 1.02 | 1.07 | 1.08 | 1.08 | 1.08 | 1.14 | 1.14 | 1.14 | 1.14 | 1.21 | 1.21 | 1.21 | 1.21 |
| | 41 | TC | 15111 | 15131 | 15148 | 15168 | 16019 | 16038 | 16057 | 16076 | 16976 | 16998 | 17020 | 17039 | 17999 | 18019 | 18041 | 18064 |
| | | S/T | 0.22 | 0.26 | 0.29 | 0.33 | 0.23 | 0.27 | 0.31 | 0.35 | 0.25 | 0.29 | 0.33 | 0.37 | 0.26 | 0.31 | 0.35 | 0.40 |
| | | PI | 1.04 | 1.04 | 1.04 | 1.04 | 1.10 | 1.10 | 1.10 | 1.10 | 1.16 | 1.17 | 1.17 | 1.17 | 1.23 | 1.24 | 1.24 | 1.24 |
| | 47 | TC | 15041 | 15061 | 15078 | 15098 | 15945 | 15964 | 15983 | 16002 | 16898 | 16920 | 16942 | 16961 | 17916 | 17936 | 17958 | 17981 |
| | | S/T | 0.22 | 0.26 | 0.29 | 0.33 | 0.23 | 0.27 | 0.31 | 0.35 | 0.25 | 0.29 | 0.33 | 0.37 | 0.26 | 0.31 | 0.35 | 0.40 |
| | | PI | 1.06 | 1.06 | 1.06 | 1.06 | 1.12 | 1.12 | 1.12 | 1.12 | 1.19 | 1.19 | 1.19 | 1.19 | 1.26 | 1.26 | 1.26 | 1.26 |
| | 50 | TC | 15009 | 15030 | 15046 | 15067 | 15911 | 15930 | 15949 | 15968 | 16862 | 16884 | 16906 | 16925 | 17879 | 17898 | 17921 | 17943 |
| | | S/T | 0.22 | 0.26 | 0.29 | 0.33 | 0.23 | 0.27 | 0.31 | 0.35 | 0.25 | 0.29 | 0.33 | 0.37 | 0.26 | 0.31 | 0.35 | 0.40 |
| | | PI | 1.06 | 1.06 | 1.07 | 1.07 | 1.13 | 1.13 | 1.13 | 1.13 | 1.19 | 1.20 | 1.20 | 1.20 | 1.27 | 1.27 | 1.27 | 1.27 |
| | 59 | TC | 14915 | 14935 | 14951 | 14972 | 15811 | 15830 | 15848 | 15867 | 16756 | 16778 | 16799 | 16818 | 17766 | 17785 | 17807 | 17830 |
| | | S/T | 0.22 | 0.26 | 0.29 | 0.34 | 0.23 | 0.27 | 0.31 | 0.36 | 0.25 | 0.29 | 0.33 | 0.38 | 0.26 | 0.31 | 0.35 | 0.40 |
| | | PI | 1.08 | 1.09 | 1.09 | 1.09 | 1.15 | 1.15 | 1.15 | 1.15 | 1.22 | 1.22 | 1.22 | 1.22 | 1.29 | 1.29 | 1.29 | 1.30 |
| | 68 | TC | 14820 | 14840 | 14856 | 14876 | 15711 | 15729 | 15748 | 15766 | 16649 | 16671 | 16693 | 16711 | 17653 | 17672 | 17694 | 17716 |
| | | S/T | 0.22 | 0.26 | 0.30 | 0.34 | 0.23 | 0.28 | 0.31 | 0.36 | 0.25 | 0.29 | 0.33 | 0.38 | 0.26 | 0.31 | 0.35 | 0.40 |
| | | PI | 1.11 | 1.11 | 1.11 | 1.11 | 1.17 | 1.17 | 1.17 | 1.18 | 1.24 | 1.24 | 1.25 | 1.25 | 1.32 | 1.32 | 1.32 | 1.32 |
| | 77 | TC | 14725 | 14745 | 14761 | 14781 | 15610 | 15629 | 15647 | 15666 | 16543 | 16564 | 16586 | 16604 | 17540 | 17559 | 17581 | 17603 |
| | | S/T | 0.23 | 0.27 | 0.30 | 0.35 | 0.24 | 0.28 | 0.32 | 0.37 | 0.26 | 0.30 | 0.34 | 0.39 | 0.27 | 0.32 | 0.36 | 0.41 |
| | | PI | 1.13 | 1.13 | 1.13 | 1.13 | 1.19 | 1.20 | 1.20 | 1.20 | 1.27 | 1.27 | 1.27 | 1.27 | 1.34 | 1.34 | 1.35 | 1.35 |
| | 86 | TC | 12769 | 12786 | 12800 | 12818 | 13536 | 13552 | 13568 | 13584 | 14345 | 14364 | 14382 | 14398 | 15210 | 15226 | 15245 | 15264 |
| | | S/T | 0.23 | 0.27 | 0.31 | 0.35 | 0.24 | 0.29 | 0.33 | 0.37 | 0.26 | 0.30 | 0.35 | 0.39 | 0.27 | 0.32 | 0.37 | 0.42 |
| | | PI | 1.21 | 1.22 | 1.22 | 1.22 | 1.29 | 1.29 | 1.29 | 1.29 | 1.36 | 1.37 | 1.37 | 1.37 | 1.45 | 1.45 | 1.45 | 1.45 |
| | 95 | TC | 12244 | 12261 | 12275 | 12291 | 12980 | 12996 | 13011 | 13027 | 13756 | 13774 | 13792 | 13807 | 14585 | 14601 | 14619 | 14638 |
| | | S/T | 0.24 | 0.28 | 0.32 | 0.36 | 0.25 | 0.29 | 0.33 | 0.38 | 0.27 | 0.31 | 0.35 | 0.40 | 0.28 | 0.33 | 0.38 | 0.43 |
| | | PI | 1.25 | 1.25 | 1.25 | 1.26 | 1.33 | 1.33 | 1.33 | 1.33 | 1.41 | 1.41 | 1.41 | 1.41 | 1.49 | 1.49 | 1.49 | 1.50 |
| 104 | TC | 11120 | 11135 | 11147 | 11162 | 11788 | 11802 | 11816 | 11830 | 12493 | 12509 | 12525 | 12539 | 13246 | 13260 | 13277 | 13293 | |
| | S/T | 0.25 | 0.29 | 0.33 | 0.38 | 0.26 | 0.31 | 0.35 | 0.40 | 0.28 | 0.33 | 0.37 | 0.42 | 0.30 | 0.35 | 0.39 | 0.45 | |
| | PI | 2.64 | 2.64 | 2.64 | 2.65 | 2.80 | 2.80 | 2.80 | 2.81 | 2.96 | 2.97 | 2.97 | 2.97 | 3.14 | 3.15 | 3.15 | 3.15 | |
| 114.8 | TC | 9770 | 9783 | 9794 | 9808 | 10358 | 10370 | 10382 | 10394 | 10977 | 10991 | 11005 | 11017 | 11638 | 11651 | 11665 | 11680 | |
| | S/T | 0.25 | 0.29 | 0.33 | 0.38 | 0.27 | 0.31 | 0.36 | 0.40 | 0.28 | 0.33 | 0.38 | 0.43 | 0.30 | 0.35 | 0.40 | 0.45 | |
| | PI | 4.30 | 4.31 | 4.31 | 4.32 | 4.56 | 4.57 | 4.57 | 4.58 | 4.83 | 4.84 | 4.85 | 4.85 | 5.12 | 5.13 | 5.14 | 5.14 | |
| 122 | TC | 8871 | 8883 | 8893 | 8905 | 9404 | 9415 | 9426 | 9437 | 9966 | 9979 | 9992 | 10003 | 10567 | 10578 | 10591 | 10604 | |
| | PI | 5.41 | 5.42 | 5.42 | 5.43 | 5.74 | 5.74 | 5.75 | 5.76 | 6.08 | 6.09 | 6.09 | 6.10 | 6.45 | 6.45 | 6.46 | 6.47 | |

DUCTED PLUS NON-DUCTED COOLING PERFORMANCE 24HH (Sheet 2 of 4)

| AIRFLOW (CFM) | OUTDOOR DB (°F) | ID WB (°F) | 60.8 | | | | 64.4 | | | | 66.2 | | | | 71.6 | | | |
|---------------|-----------------|------------|-------|-------|-------|-------|-------|-------|-------|-------|-------|-------|-------|-------|-------|-------|-------|-------|
| | | | 73.4 | 77.0 | 80.6 | 84.2 | 73.4 | 77.0 | 80.6 | 84.2 | 73.4 | 77.0 | 80.0 | 84.20 | 73.4 | 77.0 | 80.6 | 84.2 |
| 640 | -22 | TC | 22599 | 22629 | 22654 | 22685 | 23957 | 23985 | 24014 | 24042 | 25388 | 25421 | 25454 | 25483 | 26919 | 26948 | 26982 | 27015 |
| | | S/T | 0.32 | 0.37 | 0.42 | 0.48 | 0.34 | 0.39 | 0.45 | 0.51 | 0.36 | 0.42 | 0.47 | 0.54 | 0.38 | 0.44 | 0.50 | 0.57 |
| | | PI | 1.40 | 1.40 | 1.40 | 1.40 | 1.48 | 1.48 | 1.48 | 1.49 | 1.57 | 1.57 | 1.57 | 1.57 | 1.66 | 1.67 | 1.67 | 1.67 |
| | -10 | TC | 22399 | 22429 | 22454 | 22485 | 23745 | 23773 | 23802 | 23830 | 25164 | 25197 | 25230 | 25258 | 26681 | 26710 | 26743 | 26777 |
| | | S/T | 0.32 | 0.37 | 0.43 | 0.48 | 0.34 | 0.40 | 0.45 | 0.51 | 0.36 | 0.42 | 0.48 | 0.54 | 0.38 | 0.45 | 0.51 | 0.58 |
| | | PI | 1.43 | 1.43 | 1.43 | 1.43 | 1.51 | 1.51 | 1.51 | 1.52 | 1.60 | 1.60 | 1.61 | 1.61 | 1.70 | 1.70 | 1.70 | 1.70 |
| | 0 | TC | 22233 | 22263 | 22288 | 22318 | 23569 | 23597 | 23625 | 23653 | 24977 | 25010 | 25042 | 25070 | 26483 | 26512 | 26545 | 26578 |
| | | S/T | 0.32 | 0.38 | 0.43 | 0.49 | 0.34 | 0.40 | 0.45 | 0.52 | 0.36 | 0.42 | 0.48 | 0.55 | 0.38 | 0.45 | 0.51 | 0.58 |
| | | PI | 1.45 | 1.45 | 1.45 | 1.46 | 1.54 | 1.54 | 1.54 | 1.54 | 1.63 | 1.63 | 1.63 | 1.63 | 1.73 | 1.73 | 1.73 | 1.73 |
| | 5 | TC | 22150 | 22179 | 22204 | 22234 | 23481 | 23509 | 23537 | 23565 | 24884 | 24916 | 24949 | 24977 | 26384 | 26413 | 26446 | 26479 |
| | | S/T | 0.32 | 0.38 | 0.43 | 0.49 | 0.34 | 0.40 | 0.45 | 0.52 | 0.36 | 0.42 | 0.48 | 0.55 | 0.38 | 0.45 | 0.51 | 0.58 |
| | | PI | 1.46 | 1.46 | 1.47 | 1.47 | 1.55 | 1.55 | 1.55 | 1.56 | 1.64 | 1.64 | 1.65 | 1.65 | 1.74 | 1.74 | 1.75 | 1.75 |
| | 14 | TC | 22000 | 22030 | 22054 | 22084 | 23322 | 23350 | 23378 | 23405 | 24716 | 24748 | 24780 | 24808 | 26206 | 26234 | 26267 | 26300 |
| | | S/T | 0.32 | 0.38 | 0.43 | 0.49 | 0.34 | 0.40 | 0.46 | 0.52 | 0.36 | 0.43 | 0.48 | 0.55 | 0.38 | 0.45 | 0.51 | 0.59 |
| | | PI | 1.48 | 1.49 | 1.49 | 1.49 | 1.57 | 1.58 | 1.58 | 1.58 | 1.67 | 1.67 | 1.67 | 1.67 | 1.77 | 1.77 | 1.77 | 1.77 |
| | 17 | TC | 21950 | 21980 | 22004 | 22034 | 23269 | 23297 | 23325 | 23352 | 24660 | 24692 | 24724 | 24752 | 26146 | 26175 | 26207 | 26240 |
| | | S/T | 0.32 | 0.38 | 0.43 | 0.49 | 0.34 | 0.40 | 0.46 | 0.52 | 0.36 | 0.43 | 0.49 | 0.55 | 0.39 | 0.45 | 0.51 | 0.59 |
| | | PI | 1.49 | 1.49 | 1.50 | 1.50 | 1.58 | 1.58 | 1.58 | 1.59 | 1.68 | 1.68 | 1.68 | 1.68 | 1.78 | 1.78 | 1.78 | 1.78 |
| | 23 | TC | 21884 | 21913 | 21938 | 21967 | 23199 | 23226 | 23254 | 23281 | 24585 | 24617 | 24649 | 24677 | 26067 | 26096 | 26128 | 26161 |
| | | S/T | 0.32 | 0.38 | 0.43 | 0.49 | 0.34 | 0.40 | 0.46 | 0.52 | 0.36 | 0.43 | 0.49 | 0.55 | 0.39 | 0.45 | 0.52 | 0.59 |
| | | PI | 1.50 | 1.50 | 1.50 | 1.51 | 1.59 | 1.59 | 1.60 | 1.60 | 1.69 | 1.69 | 1.69 | 1.69 | 1.79 | 1.79 | 1.79 | 1.79 |
| | 32 | TC | 21784 | 21813 | 21838 | 21867 | 23093 | 23120 | 23148 | 23175 | 24473 | 24505 | 24537 | 24564 | 25948 | 25977 | 26009 | 26041 |
| | | S/T | 0.33 | 0.38 | 0.44 | 0.50 | 0.35 | 0.41 | 0.46 | 0.53 | 0.37 | 0.43 | 0.49 | 0.56 | 0.39 | 0.46 | 0.52 | 0.59 |
| | | PI | 1.52 | 1.52 | 1.52 | 1.52 | 1.61 | 1.61 | 1.61 | 1.61 | 1.70 | 1.71 | 1.71 | 1.71 | 1.81 | 1.81 | 1.81 | 1.81 |
| | 41 | TC | 21651 | 21680 | 21704 | 21733 | 22952 | 22979 | 23006 | 23034 | 24324 | 24355 | 24387 | 24414 | 25790 | 25818 | 25850 | 25882 |
| | | S/T | 0.33 | 0.38 | 0.44 | 0.50 | 0.35 | 0.41 | 0.46 | 0.53 | 0.37 | 0.43 | 0.49 | 0.56 | 0.39 | 0.46 | 0.52 | 0.59 |
| | | PI | 1.55 | 1.55 | 1.55 | 1.56 | 1.64 | 1.64 | 1.65 | 1.65 | 1.74 | 1.74 | 1.75 | 1.75 | 1.85 | 1.85 | 1.85 | 1.85 |
| | 47 | TC | 21551 | 21580 | 21604 | 21633 | 22846 | 22873 | 22900 | 22928 | 24211 | 24243 | 24274 | 24302 | 25671 | 25699 | 25731 | 25763 |
| | | S/T | 0.33 | 0.39 | 0.44 | 0.50 | 0.35 | 0.41 | 0.46 | 0.53 | 0.37 | 0.43 | 0.49 | 0.56 | 0.39 | 0.46 | 0.52 | 0.60 |
| | | PI | 1.58 | 1.58 | 1.58 | 1.59 | 1.67 | 1.68 | 1.68 | 1.68 | 1.77 | 1.78 | 1.78 | 1.78 | 1.88 | 1.88 | 1.89 | 1.89 |
| | 50 | TC | 21506 | 21535 | 21559 | 21588 | 22798 | 22825 | 22852 | 22879 | 24161 | 24192 | 24223 | 24251 | 25617 | 25645 | 25677 | 25709 |
| | | S/T | 0.33 | 0.39 | 0.44 | 0.50 | 0.35 | 0.41 | 0.47 | 0.53 | 0.37 | 0.43 | 0.49 | 0.56 | 0.39 | 0.46 | 0.52 | 0.60 |
| | | PI | 1.59 | 1.59 | 1.59 | 1.60 | 1.69 | 1.69 | 1.69 | 1.69 | 1.79 | 1.79 | 1.79 | 1.79 | 1.89 | 1.90 | 1.90 | 1.90 |
| | 59 | TC | 21370 | 21399 | 21423 | 21452 | 22654 | 22681 | 22708 | 22735 | 24008 | 24039 | 24071 | 24097 | 25455 | 25483 | 25515 | 25547 |
| | | S/T | 0.33 | 0.39 | 0.44 | 0.50 | 0.35 | 0.41 | 0.47 | 0.53 | 0.37 | 0.44 | 0.50 | 0.57 | 0.39 | 0.46 | 0.53 | 0.60 |
| | | PI | 1.62 | 1.62 | 1.63 | 1.63 | 1.72 | 1.72 | 1.72 | 1.73 | 1.82 | 1.82 | 1.83 | 1.83 | 1.93 | 1.93 | 1.94 | 1.94 |
| | 68 | TC | 21234 | 21263 | 21287 | 21315 | 22510 | 22537 | 22564 | 22590 | 23855 | 23886 | 23918 | 23944 | 25294 | 25321 | 25353 | 25384 |
| | | S/T | 0.33 | 0.39 | 0.44 | 0.51 | 0.35 | 0.41 | 0.47 | 0.54 | 0.37 | 0.44 | 0.50 | 0.57 | 0.40 | 0.47 | 0.53 | 0.60 |
| | | PI | 1.65 | 1.66 | 1.66 | 1.66 | 1.75 | 1.75 | 1.76 | 1.76 | 1.86 | 1.86 | 1.86 | 1.86 | 1.97 | 1.97 | 1.97 | 1.98 |
| | 77 | TC | 21098 | 21127 | 21150 | 21179 | 22366 | 22393 | 22419 | 22446 | 23703 | 23734 | 23765 | 23791 | 25132 | 25159 | 25190 | 25222 |
| | | S/T | 0.34 | 0.40 | 0.46 | 0.52 | 0.36 | 0.43 | 0.48 | 0.55 | 0.38 | 0.45 | 0.51 | 0.58 | 0.41 | 0.48 | 0.54 | 0.62 |
| | | PI | 1.69 | 1.69 | 1.69 | 1.69 | 1.79 | 1.79 | 1.79 | 1.79 | 1.89 | 1.90 | 1.90 | 1.90 | 2.01 | 2.01 | 2.01 | 2.01 |
| | 86 | TC | 18295 | 18320 | 18341 | 18365 | 19395 | 19418 | 19441 | 19464 | 20554 | 20581 | 20607 | 20630 | 21793 | 21817 | 21844 | 21871 |
| | | S/T | 0.35 | 0.41 | 0.46 | 0.53 | 0.37 | 0.43 | 0.49 | 0.56 | 0.39 | 0.46 | 0.52 | 0.59 | 0.41 | 0.48 | 0.55 | 0.63 |
| | | PI | 1.82 | 1.82 | 1.82 | 1.82 | 1.93 | 1.93 | 1.93 | 1.93 | 2.04 | 2.04 | 2.05 | 2.05 | 2.16 | 2.17 | 2.17 | 2.17 |
| | 95 | TC | 17544 | 17568 | 17587 | 17611 | 18599 | 18621 | 18643 | 18665 | 19710 | 19736 | 19761 | 19783 | 20898 | 20921 | 20947 | 20973 |
| | | S/T | 0.36 | 0.42 | 0.47 | 0.54 | 0.38 | 0.44 | 0.50 | 0.57 | 0.40 | 0.47 | 0.53 | 0.61 | 0.42 | 0.50 | 0.56 | 0.64 |
| | | PI | 1.87 | 1.87 | 1.88 | 1.88 | 1.98 | 1.99 | 1.99 | 1.99 | 2.10 | 2.11 | 2.11 | 2.11 | 2.23 | 2.23 | 2.23 | 2.24 |
| 104 | TC | 15933 | 15954 | 15972 | 15994 | 16890 | 16910 | 16930 | 16951 | 17900 | 17923 | 17946 | 17966 | 18979 | 18999 | 19023 | 19047 | |
| | S/T | 0.37 | 0.44 | 0.50 | 0.57 | 0.40 | 0.46 | 0.53 | 0.60 | 0.42 | 0.49 | 0.56 | 0.64 | 0.44 | 0.52 | 0.59 | 0.68 | |
| | PI | 3.94 | 3.95 | 3.95 | 3.96 | 4.18 | 4.19 | 4.19 | 4.20 | 4.43 | 4.44 | 4.44 | 4.45 | 4.70 | 4.70 | 4.71 | 4.72 | |
| 114.8 | TC | 13999 | 14018 | 14034 | 14053 | 14841 | 14858 | 14876 | 14893 | 15727 | 15748 | 15768 | 15786 | 16675 | 16694 | 16714 | 16735 | |
| | S/T | 0.38 | 0.44 | 0.50 | 0.57 | 0.40 | 0.47 | 0.53 | 0.61 | 0.42 | 0.50 | 0.57 | 0.64 | 0.45 | 0.53 | 0.60 | 0.68 | |
| | PI | 6.43 | 6.44 | 6.45 | 6.46 | 6.82 | 6.83 | 6.83 | 6.84 | 7.23 | 7.24 | 7.24 | 7.25 | 7.66 | 7.67 | 7.68 | 7.69 | |
| 122 | TC | 12710 | 12727 | 12741 | 12759 | 13474 | 13490 | 13506 | 13522 | 14279 | 14298 | 14316 | 14332 | 15140 | 15156 | 15175 | 15194 | |
| | PI | 8.09 | 8.10 | 8.11 | 8.12 | 8.58 | 8.59 | 8.60 | 8.61 | 9.09 | 9.10 | 9.11 | 9.12 | 9.64 | 9.65 | 9.66 | 9.67 | |

DUCTED PLUS NON-DUCTED COOLING PERFORMANCE 24HH (Sheet 3 of 4)

| AIRFLOW (CFM) | OUTDOOR DB (°F) | ID WB (°F) | 60.8 | | | | 64.4 | | | | 66.2 | | | | 71.6 | | | |
|---------------|-----------------|------------|-------|-------|-------|-------|-------|-------|-------|-------|-------|-------|-------|-------|-------|-------|-------|-------|
| | | | 73.4 | 77.0 | 80.6 | 84.2 | 73.4 | 77.0 | 80.6 | 84.2 | 73.4 | 77.0 | 80.0 | 84.20 | 73.4 | 77.0 | 80.6 | 84.2 |
| 960 | -22 | TC | 33963 | 34008 | 34046 | 34092 | 36004 | 36046 | 36089 | 36132 | 38155 | 38205 | 38254 | 38297 | 40455 | 40499 | 40550 | 40600 |
| | | S/T | 0.48 | 0.56 | 0.63 | 0.72 | 0.50 | 0.59 | 0.67 | 0.77 | 0.53 | 0.63 | 0.71 | 0.81 | 0.57 | 0.67 | 0.76 | 0.86 |
| | | PI | 2.10 | 2.10 | 2.10 | 2.11 | 2.22 | 2.23 | 2.23 | 2.23 | 2.36 | 2.36 | 2.36 | 2.37 | 2.50 | 2.50 | 2.51 | 2.51 |
| | -10 | TC | 33663 | 33708 | 33746 | 33791 | 35686 | 35728 | 35770 | 35813 | 37818 | 37867 | 37917 | 37959 | 40098 | 40142 | 40192 | 40242 |
| | | S/T | 0.48 | 0.56 | 0.64 | 0.73 | 0.51 | 0.60 | 0.68 | 0.77 | 0.54 | 0.63 | 0.72 | 0.82 | 0.57 | 0.67 | 0.76 | 0.87 |
| | | PI | 2.14 | 2.15 | 2.15 | 2.15 | 2.27 | 2.27 | 2.28 | 2.28 | 2.41 | 2.41 | 2.41 | 2.42 | 2.55 | 2.55 | 2.56 | 2.56 |
| | 0 | TC | 33413 | 33458 | 33495 | 33540 | 35421 | 35463 | 35505 | 35547 | 37538 | 37586 | 37635 | 37677 | 39800 | 39844 | 39893 | 39943 |
| | | S/T | 0.48 | 0.57 | 0.64 | 0.73 | 0.51 | 0.60 | 0.68 | 0.78 | 0.54 | 0.64 | 0.72 | 0.82 | 0.57 | 0.67 | 0.77 | 0.87 |
| | | PI | 2.18 | 2.18 | 2.18 | 2.19 | 2.31 | 2.31 | 2.32 | 2.32 | 2.45 | 2.45 | 2.45 | 2.46 | 2.60 | 2.60 | 2.60 | 2.60 |
| | 5 | TC | 33288 | 33333 | 33370 | 33415 | 35288 | 35330 | 35372 | 35414 | 37397 | 37446 | 37494 | 37536 | 39652 | 39695 | 39744 | 39794 |
| | | S/T | 0.48 | 0.57 | 0.64 | 0.73 | 0.51 | 0.60 | 0.68 | 0.78 | 0.54 | 0.64 | 0.72 | 0.83 | 0.58 | 0.68 | 0.77 | 0.88 |
| | | PI | 2.20 | 2.20 | 2.20 | 2.21 | 2.33 | 2.33 | 2.33 | 2.34 | 2.47 | 2.47 | 2.48 | 2.48 | 2.62 | 2.62 | 2.62 | 2.63 |
| | 14 | TC | 33063 | 33107 | 33144 | 33189 | 35050 | 35092 | 35133 | 35175 | 37145 | 37193 | 37241 | 37283 | 39384 | 39427 | 39476 | 39525 |
| | | S/T | 0.49 | 0.57 | 0.65 | 0.74 | 0.51 | 0.60 | 0.69 | 0.78 | 0.55 | 0.64 | 0.73 | 0.83 | 0.58 | 0.68 | 0.77 | 0.88 |
| | | PI | 2.23 | 2.23 | 2.24 | 2.24 | 2.36 | 2.37 | 2.37 | 2.37 | 2.51 | 2.51 | 2.51 | 2.51 | 2.66 | 2.66 | 2.66 | 2.67 |
| | 17 | TC | 32988 | 33032 | 33069 | 33114 | 34971 | 35012 | 35053 | 35095 | 37060 | 37108 | 37157 | 37198 | 39294 | 39337 | 39386 | 39435 |
| | | S/T | 0.49 | 0.57 | 0.65 | 0.74 | 0.52 | 0.61 | 0.69 | 0.78 | 0.55 | 0.64 | 0.73 | 0.83 | 0.58 | 0.68 | 0.77 | 0.88 |
| | | PI | 2.24 | 2.24 | 2.25 | 2.25 | 2.38 | 2.38 | 2.38 | 2.38 | 2.52 | 2.52 | 2.52 | 2.53 | 2.67 | 2.67 | 2.68 | 2.68 |
| 23 | TC | 32888 | 32932 | 32969 | 33014 | 34865 | 34906 | 34947 | 34989 | 36948 | 36996 | 37044 | 37085 | 39175 | 39218 | 39267 | 39316 | |
| | S/T | 0.49 | 0.57 | 0.65 | 0.74 | 0.52 | 0.61 | 0.69 | 0.79 | 0.55 | 0.64 | 0.73 | 0.83 | 0.58 | 0.68 | 0.78 | 0.88 | |
| | PI | 2.26 | 2.26 | 2.26 | 2.26 | 2.39 | 2.39 | 2.40 | 2.40 | 2.53 | 2.54 | 2.54 | 2.54 | 2.69 | 2.69 | 2.69 | 2.70 | |
| 32 | TC | 32738 | 32782 | 32819 | 32863 | 34706 | 34747 | 34788 | 34829 | 36780 | 36827 | 36875 | 36916 | 38997 | 39039 | 39088 | 39136 | |
| | S/T | 0.49 | 0.58 | 0.65 | 0.75 | 0.52 | 0.61 | 0.69 | 0.79 | 0.55 | 0.65 | 0.74 | 0.84 | 0.58 | 0.69 | 0.78 | 0.89 | |
| | PI | 2.28 | 2.28 | 2.28 | 2.29 | 2.41 | 2.42 | 2.42 | 2.42 | 2.56 | 2.56 | 2.57 | 2.57 | 2.71 | 2.72 | 2.72 | 2.72 | |
| 41 | TC | 32538 | 32582 | 32618 | 32662 | 34494 | 34535 | 34575 | 34617 | 36555 | 36602 | 36650 | 36691 | 38759 | 38801 | 38849 | 38897 | |
| | S/T | 0.49 | 0.58 | 0.66 | 0.75 | 0.52 | 0.61 | 0.70 | 0.79 | 0.55 | 0.65 | 0.74 | 0.84 | 0.59 | 0.69 | 0.78 | 0.89 | |
| | PI | 2.33 | 2.33 | 2.33 | 2.34 | 2.47 | 2.47 | 2.48 | 2.48 | 2.62 | 2.62 | 2.62 | 2.63 | 2.77 | 2.78 | 2.78 | 2.78 | |
| 47 | TC | 32388 | 32432 | 32468 | 32512 | 34335 | 34375 | 34416 | 34457 | 36386 | 36434 | 36481 | 36522 | 38580 | 38622 | 38670 | 38718 | |
| | S/T | 0.49 | 0.58 | 0.66 | 0.75 | 0.52 | 0.61 | 0.70 | 0.80 | 0.56 | 0.65 | 0.74 | 0.84 | 0.59 | 0.69 | 0.78 | 0.89 | |
| | PI | 2.37 | 2.38 | 2.38 | 2.38 | 2.52 | 2.52 | 2.52 | 2.52 | 2.67 | 2.67 | 2.67 | 2.68 | 2.83 | 2.83 | 2.83 | 2.84 | |
| 50 | TC | 32320 | 32364 | 32400 | 32444 | 34263 | 34303 | 34344 | 34385 | 36310 | 36357 | 36404 | 36445 | 38499 | 38541 | 38589 | 38637 | |
| | S/T | 0.50 | 0.58 | 0.66 | 0.75 | 0.53 | 0.62 | 0.70 | 0.80 | 0.56 | 0.65 | 0.74 | 0.85 | 0.59 | 0.69 | 0.79 | 0.90 | |
| | PI | 2.39 | 2.39 | 2.39 | 2.40 | 2.53 | 2.54 | 2.54 | 2.54 | 2.68 | 2.69 | 2.69 | 2.69 | 2.85 | 2.85 | 2.85 | 2.86 | |
| 59 | TC | 32116 | 32159 | 32195 | 32239 | 34046 | 34087 | 34127 | 34167 | 36081 | 36128 | 36175 | 36215 | 38256 | 38297 | 38345 | 38393 | |
| | S/T | 0.50 | 0.58 | 0.66 | 0.76 | 0.53 | 0.62 | 0.70 | 0.80 | 0.56 | 0.66 | 0.75 | 0.85 | 0.59 | 0.70 | 0.79 | 0.90 | |
| | PI | 2.44 | 2.44 | 2.44 | 2.45 | 2.58 | 2.59 | 2.59 | 2.59 | 2.74 | 2.74 | 2.74 | 2.75 | 2.90 | 2.91 | 2.91 | 2.91 | |
| 68 | TC | 31912 | 31955 | 31991 | 32034 | 33830 | 33870 | 33910 | 33950 | 35851 | 35898 | 35945 | 35985 | 38013 | 38054 | 38101 | 38149 | |
| | S/T | 0.50 | 0.59 | 0.67 | 0.76 | 0.53 | 0.62 | 0.71 | 0.81 | 0.56 | 0.66 | 0.75 | 0.86 | 0.60 | 0.70 | 0.80 | 0.91 | |
| | PI | 2.48 | 2.49 | 2.49 | 2.49 | 2.63 | 2.64 | 2.64 | 2.64 | 2.79 | 2.79 | 2.80 | 2.80 | 2.96 | 2.96 | 2.97 | 2.97 | |
| 77 | TC | 31708 | 31750 | 31786 | 31829 | 33614 | 33653 | 33693 | 33733 | 35622 | 35668 | 35715 | 35755 | 37770 | 37811 | 37858 | 37905 | |
| | S/T | 0.51 | 0.60 | 0.69 | 0.78 | 0.54 | 0.64 | 0.73 | 0.83 | 0.58 | 0.68 | 0.77 | 0.88 | 0.61 | 0.72 | 0.82 | 0.93 | |
| | PI | 2.53 | 2.54 | 2.54 | 2.54 | 2.68 | 2.69 | 2.69 | 2.69 | 2.85 | 2.85 | 2.85 | 2.86 | 3.02 | 3.02 | 3.02 | 3.03 | |
| 86 | TC | 27495 | 27532 | 27563 | 27600 | 29148 | 29182 | 29217 | 29252 | 30890 | 30930 | 30970 | 31005 | 32752 | 32788 | 32828 | 32869 | |
| | S/T | 0.52 | 0.61 | 0.69 | 0.79 | 0.55 | 0.65 | 0.74 | 0.84 | 0.59 | 0.69 | 0.78 | 0.89 | 0.62 | 0.73 | 0.83 | 0.94 | |
| | PI | 2.73 | 2.73 | 2.74 | 2.74 | 2.89 | 2.90 | 2.90 | 2.90 | 3.07 | 3.07 | 3.08 | 3.08 | 3.25 | 3.26 | 3.26 | 3.26 | |
| 95 | TC | 26366 | 26402 | 26431 | 26467 | 27951 | 27984 | 28017 | 28051 | 29621 | 29660 | 29698 | 29731 | 31407 | 31441 | 31480 | 31519 | |
| | S/T | 0.53 | 0.63 | 0.71 | 0.81 | 0.57 | 0.66 | 0.75 | 0.86 | 0.60 | 0.70 | 0.80 | 0.91 | 0.64 | 0.75 | 0.85 | 0.97 | |
| | PI | 2.81 | 2.82 | 2.82 | 2.82 | 2.98 | 2.99 | 2.99 | 2.99 | 3.16 | 3.16 | 3.17 | 3.17 | 3.35 | 3.35 | 3.36 | 3.36 | |
| 104 | TC | 23945 | 23977 | 24004 | 24036 | 25384 | 25414 | 25444 | 25474 | 26901 | 26936 | 26971 | 27001 | 28522 | 28553 | 28589 | 28625 | |
| | S/T | 0.56 | 0.66 | 0.75 | 0.85 | 0.59 | 0.70 | 0.79 | 0.90 | 0.63 | 0.74 | 0.84 | 0.96 | 0.67 | 0.78 | 0.89 | 1.02 | |
| | PI | 5.93 | 5.94 | 5.94 | 5.95 | 6.28 | 6.29 | 6.30 | 6.31 | 6.66 | 6.67 | 6.68 | 6.68 | 7.06 | 7.07 | 7.08 | 7.09 | |
| 114.8 | TC | 21039 | 21067 | 21091 | 21119 | 22303 | 22330 | 22356 | 22383 | 23636 | 23667 | 23698 | 23724 | 25061 | 25088 | 25119 | 25151 | |
| | S/T | 0.57 | 0.67 | 0.76 | 0.86 | 0.60 | 0.71 | 0.80 | 0.91 | 0.64 | 0.75 | 0.85 | 0.97 | 0.68 | 0.79 | 0.90 | 1.03 | |
| | PI | 9.67 | 9.68 | 9.69 | 9.70 | 10.25 | 10.26 | 10.27 | 10.28 | 10.86 | 10.87 | 10.89 | 10.90 | 11.51 | 11.53 | 11.54 | 11.56 | |
| 122 | TC | 19101 | 19127 | 19149 | 19174 | 20250 | 20274 | 20298 | 20322 | 21460 | 21487 | 21515 | 21539 | 22753 | 22778 | 22806 | 22835 | |
| | S/T | 0.59 | 0.69 | 0.78 | 0.89 | 0.62 | 0.73 | 0.83 | 0.95 | 0.66 | 0.77 | 0.88 | 1.00 | 0.70 | 0.82 | 0.93 | 1.06 | |
| | PI | 12.16 | 12.17 | 12.19 | 12.21 | 12.89 | 12.90 | 12.92 | 12.94 | 13.66 | 13.68 | 13.70 | 13.71 | 14.48 | 14.50 | 14.52 | 14.53 | |

DUCTED PLUS NON-DUCTED COOLING PERFORMANCE 24HH (Sheet 4 of 4)

| AIRFLOW (CFM) | OUTDOOR DB (°F) | ID WB (°F) | 60.8 | | | | 64.4 | | | | 66.2 | | | | 71.6 | | | |
|---------------|-----------------|------------|-------|-------|-------|-------|-------|-------|-------|-------|-------|-------|-------|-------|-------|-------|-------|-------|
| | | | 73.4 | 77.0 | 80.6 | 84.2 | 73.4 | 77.0 | 80.6 | 84.2 | 73.4 | 77.0 | 80.0 | 84.20 | 73.4 | 77.0 | 80.6 | 84.2 |
| 1050 | -22 | TC | 35483 | 35530 | 35570 | 35618 | 37615 | 37660 | 37704 | 37749 | 39863 | 39915 | 39967 | 40011 | 42266 | 42312 | 42365 | 42417 |
| | | S/T | 0.50 | 0.58 | 0.66 | 0.76 | 0.53 | 0.62 | 0.70 | 0.80 | 0.56 | 0.66 | 0.74 | 0.85 | 0.59 | 0.69 | 0.79 | 0.90 |
| | | PI | 2.19 | 2.20 | 2.20 | 2.20 | 2.32 | 2.33 | 2.33 | 2.33 | 2.33 | 2.46 | 2.47 | 2.47 | 2.47 | 2.61 | 2.61 | 2.62 |
| | -10 | TC | 35169 | 35217 | 35256 | 35304 | 37283 | 37327 | 37371 | 37416 | 39511 | 39562 | 39614 | 39658 | 41893 | 41938 | 41991 | 42043 |
| | | S/T | 0.50 | 0.59 | 0.67 | 0.76 | 0.53 | 0.62 | 0.71 | 0.81 | 0.56 | 0.66 | 0.75 | 0.85 | 0.60 | 0.70 | 0.79 | 0.91 |
| | | PI | 2.24 | 2.24 | 2.24 | 2.25 | 2.37 | 2.38 | 2.38 | 2.38 | 2.38 | 2.51 | 2.52 | 2.52 | 2.52 | 2.67 | 2.67 | 2.67 |
| | 0 | TC | 34908 | 34955 | 34994 | 35042 | 37006 | 37050 | 37094 | 37138 | 39218 | 39269 | 39320 | 39364 | 41582 | 41627 | 41679 | 41731 |
| | | S/T | 0.50 | 0.59 | 0.67 | 0.77 | 0.53 | 0.63 | 0.71 | 0.81 | 0.57 | 0.66 | 0.75 | 0.86 | 0.60 | 0.70 | 0.80 | 0.91 |
| | | PI | 2.28 | 2.28 | 2.28 | 2.29 | 2.41 | 2.42 | 2.42 | 2.42 | 2.42 | 2.56 | 2.56 | 2.56 | 2.57 | 2.71 | 2.71 | 2.72 |
| | 5 | TC | 34778 | 34824 | 34863 | 34910 | 36868 | 36912 | 36955 | 36999 | 39071 | 39122 | 39173 | 39216 | 41426 | 41471 | 41523 | 41575 |
| | | S/T | 0.50 | 0.59 | 0.67 | 0.77 | 0.54 | 0.63 | 0.71 | 0.81 | 0.57 | 0.67 | 0.76 | 0.86 | 0.60 | 0.71 | 0.80 | 0.91 |
| | | PI | 2.30 | 2.30 | 2.30 | 2.30 | 2.43 | 2.44 | 2.44 | 2.44 | 2.58 | 2.58 | 2.59 | 2.59 | 2.73 | 2.74 | 2.74 | 2.74 |
| | 14 | TC | 34543 | 34589 | 34628 | 34675 | 36619 | 36662 | 36706 | 36749 | 38807 | 38857 | 38908 | 38951 | 41146 | 41191 | 41242 | 41294 |
| | | S/T | 0.51 | 0.60 | 0.68 | 0.77 | 0.54 | 0.63 | 0.72 | 0.82 | 0.57 | 0.67 | 0.76 | 0.87 | 0.60 | 0.71 | 0.81 | 0.92 |
| | | PI | 2.33 | 2.33 | 2.34 | 2.34 | 2.47 | 2.47 | 2.48 | 2.48 | 2.62 | 2.62 | 2.62 | 2.63 | 2.78 | 2.78 | 2.78 | 2.79 |
| | 17 | TC | 34464 | 34511 | 34549 | 34596 | 36536 | 36579 | 36622 | 36666 | 38719 | 38769 | 38820 | 38863 | 41053 | 41098 | 41149 | 41200 |
| | | S/T | 0.51 | 0.60 | 0.68 | 0.77 | 0.54 | 0.63 | 0.72 | 0.82 | 0.57 | 0.67 | 0.76 | 0.87 | 0.61 | 0.71 | 0.81 | 0.92 |
| | | PI | 2.34 | 2.34 | 2.35 | 2.35 | 2.48 | 2.49 | 2.49 | 2.49 | 2.63 | 2.63 | 2.64 | 2.64 | 2.79 | 2.79 | 2.80 | 2.80 |
| | 23 | TC | 34360 | 34406 | 34445 | 34491 | 36425 | 36468 | 36511 | 36555 | 38602 | 38652 | 38702 | 38745 | 40929 | 40973 | 41024 | 41075 |
| | | S/T | 0.51 | 0.60 | 0.68 | 0.78 | 0.54 | 0.63 | 0.72 | 0.82 | 0.57 | 0.67 | 0.76 | 0.87 | 0.61 | 0.71 | 0.81 | 0.92 |
| | | PI | 2.36 | 2.36 | 2.36 | 2.37 | 2.50 | 2.50 | 2.50 | 2.51 | 2.65 | 2.65 | 2.65 | 2.66 | 2.81 | 2.81 | 2.81 | 2.82 |
| | 32 | TC | 34203 | 34249 | 34288 | 34334 | 36259 | 36302 | 36345 | 36388 | 38426 | 38476 | 38526 | 38569 | 40742 | 40786 | 40837 | 40888 |
| | | S/T | 0.51 | 0.60 | 0.68 | 0.78 | 0.54 | 0.64 | 0.72 | 0.83 | 0.58 | 0.68 | 0.77 | 0.88 | 0.61 | 0.72 | 0.81 | 0.93 |
| | | PI | 2.38 | 2.38 | 2.39 | 2.39 | 2.52 | 2.53 | 2.53 | 2.53 | 2.67 | 2.68 | 2.68 | 2.68 | 2.83 | 2.84 | 2.84 | 2.84 |
| | 41 | TC | 33994 | 34040 | 34078 | 34124 | 36038 | 36080 | 36123 | 36166 | 38191 | 38241 | 38290 | 38333 | 40493 | 40537 | 40588 | 40638 |
| | | S/T | 0.52 | 0.60 | 0.69 | 0.78 | 0.55 | 0.64 | 0.73 | 0.83 | 0.58 | 0.68 | 0.77 | 0.88 | 0.61 | 0.72 | 0.82 | 0.93 |
| | | PI | 2.43 | 2.44 | 2.44 | 2.44 | 2.58 | 2.58 | 2.59 | 2.59 | 2.73 | 2.74 | 2.74 | 2.74 | 2.90 | 2.90 | 2.91 | 2.91 |
| | 47 | TC | 33838 | 33883 | 33921 | 33967 | 35871 | 35914 | 35957 | 35999 | 38015 | 38064 | 38114 | 38156 | 40307 | 40351 | 40401 | 40451 |
| | | S/T | 0.52 | 0.61 | 0.69 | 0.78 | 0.55 | 0.64 | 0.73 | 0.83 | 0.58 | 0.68 | 0.77 | 0.88 | 0.61 | 0.72 | 0.82 | 0.93 |
| | | PI | 2.48 | 2.48 | 2.49 | 2.49 | 2.63 | 2.63 | 2.63 | 2.64 | 2.79 | 2.79 | 2.79 | 2.80 | 2.95 | 2.96 | 2.96 | 2.96 |
| | 50 | TC | 33767 | 33812 | 33850 | 33896 | 35796 | 35838 | 35881 | 35924 | 37935 | 37984 | 38034 | 38076 | 40222 | 40266 | 40316 | 40366 |
| | | S/T | 0.52 | 0.61 | 0.69 | 0.79 | 0.55 | 0.64 | 0.73 | 0.83 | 0.58 | 0.68 | 0.78 | 0.88 | 0.62 | 0.72 | 0.82 | 0.94 |
| | | PI | 2.50 | 2.50 | 2.50 | 2.51 | 2.65 | 2.65 | 2.65 | 2.66 | 2.80 | 2.81 | 2.81 | 2.81 | 2.97 | 2.98 | 2.98 | 2.98 |
| | 59 | TC | 33553 | 33599 | 33636 | 33682 | 35570 | 35612 | 35654 | 35697 | 37696 | 37745 | 37794 | 37836 | 39968 | 40012 | 40061 | 40111 |
| | | S/T | 0.52 | 0.61 | 0.69 | 0.79 | 0.55 | 0.65 | 0.74 | 0.84 | 0.58 | 0.69 | 0.78 | 0.89 | 0.62 | 0.73 | 0.83 | 0.94 |
| | | PI | 2.55 | 2.55 | 2.55 | 2.56 | 2.70 | 2.70 | 2.71 | 2.71 | 2.86 | 2.86 | 2.87 | 2.87 | 3.03 | 3.04 | 3.04 | 3.04 |
| 68 | TC | 33340 | 33385 | 33422 | 33468 | 35344 | 35386 | 35428 | 35470 | 37456 | 37505 | 37553 | 37595 | 39714 | 39757 | 39807 | 39856 | |
| | S/T | 0.52 | 0.61 | 0.70 | 0.79 | 0.55 | 0.65 | 0.74 | 0.84 | 0.59 | 0.69 | 0.78 | 0.89 | 0.62 | 0.73 | 0.83 | 0.95 | |
| | PI | 2.60 | 2.60 | 2.60 | 2.61 | 2.75 | 2.76 | 2.76 | 2.76 | 2.92 | 2.92 | 2.92 | 2.93 | 3.09 | 3.10 | 3.10 | 3.10 | 3.10 |
| 77 | TC | 33127 | 33171 | 33209 | 33253 | 35118 | 35160 | 35201 | 35243 | 37216 | 37265 | 37313 | 37355 | 39460 | 39503 | 39552 | 39601 | |
| | S/T | 0.54 | 0.63 | 0.72 | 0.82 | 0.57 | 0.67 | 0.76 | 0.86 | 0.60 | 0.71 | 0.80 | 0.92 | 0.64 | 0.75 | 0.85 | 0.97 | |
| | PI | 2.65 | 2.65 | 2.65 | 2.66 | 2.81 | 2.81 | 2.81 | 2.81 | 2.97 | 2.98 | 2.98 | 2.98 | 3.15 | 3.16 | 3.16 | 3.16 | 3.16 |
| 86 | TC | 28726 | 28765 | 28797 | 28836 | 30453 | 30489 | 30525 | 30561 | 32272 | 32314 | 32356 | 32392 | 34218 | 34255 | 34298 | 34340 | |
| | S/T | 0.54 | 0.64 | 0.72 | 0.83 | 0.58 | 0.68 | 0.77 | 0.88 | 0.61 | 0.72 | 0.81 | 0.93 | 0.65 | 0.76 | 0.86 | 0.98 | |
| | PI | 2.85 | 2.86 | 2.86 | 2.86 | 3.02 | 3.03 | 3.03 | 3.03 | 3.20 | 3.21 | 3.21 | 3.22 | 3.40 | 3.40 | 3.41 | 3.41 | 3.41 |
| 95 | TC | 27546 | 27583 | 27614 | 27652 | 29202 | 29237 | 29271 | 29306 | 30947 | 30987 | 31028 | 31062 | 32813 | 32848 | 32889 | 32930 | |
| | S/T | 0.56 | 0.65 | 0.74 | 0.85 | 0.59 | 0.69 | 0.79 | 0.90 | 0.63 | 0.74 | 0.84 | 0.95 | 0.66 | 0.78 | 0.89 | 1.01 | |
| | PI | 2.94 | 2.94 | 2.95 | 2.95 | 3.12 | 3.12 | 3.12 | 3.13 | 3.30 | 3.31 | 3.31 | 3.31 | 3.50 | 3.50 | 3.51 | 3.51 | 3.51 |
| 104 | TC | 25016 | 25050 | 25078 | 25112 | 26520 | 26551 | 26583 | 26614 | 28105 | 28141 | 28178 | 28209 | 29799 | 29831 | 29868 | 29906 | |
| | S/T | 0.59 | 0.69 | 0.78 | 0.89 | 0.62 | 0.73 | 0.83 | 0.94 | 0.66 | 0.77 | 0.88 | 1.00 | 0.70 | 0.82 | 0.93 | 1.06 | |
| | PI | 6.19 | 6.20 | 6.21 | 6.22 | 6.57 | 6.57 | 6.58 | 6.59 | 6.96 | 6.97 | 6.98 | 6.98 | 7.38 | 7.39 | 7.39 | 7.40 | 7.40 |
| 114.8 | TC | 21980 | 22010 | 22035 | 22064 | 23301 | 23329 | 23357 | 23384 | 24694 | 24726 | 24758 | 24786 | 26183 | 26211 | 26244 | 26276 | |
| | S/T | 0.59 | 0.70 | 0.79 | 0.90 | 0.63 | 0.74 | 0.84 | 0.95 | 0.67 | 0.78 | 0.89 | 1.01 | 0.71 | 0.83 | 0.94 | 1.07 | |
| | PI | 10.10 | 10.11 | 10.12 | 10.14 | 10.71 | 10.72 | 10.73 | 10.74 | 11.35 | 11.36 | 11.38 | 11.39 | 12.03 | 12.04 | 12.06 | 12.07 | 12.07 |
| 122 | TC | 19956 | 19983 | 20006 | 20033 | 21156 | 21181 | 21206 | 21231 | 22420 | 22449 | 22478 | 22503 | 23772 | 23797 | 23827 | 23857 | |
| | S/T | 0.61 | 0.72 | 0.82 | 0.93 | 0.65 | 0.76 | 0.87 | 0.99 | 0.69 | 0.81 | 0.92 | 1.05 | 0.73 | 0.86 | 0.97 | 1.11 | |
| | PI | 12.70 | 12.72 | 12.73 | 12.75 | 13.47 | 13.48 | 13.50 | 13.51 | 14.27 | 14.29 | 14.31 | 14.32 | 15.13 | 15.15 | 15.17 | 15.19 | 15.19 |

NOTE: Data highlighted in gray is extrapolated data and not actual test data. At 77°F outdoor conditions sweat protection activates causing a decrease in total capacity.

LEGEND

- TC - Total Net Capacity (Btu/hour)
- S/T: Sensible Cooling Capacity Ratio
- PI: Power Input (kW)
- Extrapolated Data

COOLING PERFORMANCE DUCTED PLUS NON-DUCTED

COOLING PERFORMANCE 30HH (HIGH HEAT)

DUCTED PLUS NON-DUCTED COOLING PERFORMANCE 30HH (Sheet 1 of 4)

| AIRFLOW (CFM) | OUTDOOR DB (°F) | ID WB (°F) | 60.8 | | | | 64.4 | | | | 66.2 | | | | 71.6 | | | |
|---------------|-----------------|------------|------------|-------|-------|-------|-------|-------|-------|-------|-------|-------|-------|-------|-------|-------|-------|-------|
| | | | ID DB (°F) | 73.4 | 77.0 | 80.6 | 84.2 | 73.4 | 77.0 | 80.6 | 84.2 | 73.4 | 77.0 | 80.0 | 84.20 | 73.4 | 77.0 | 80.6 |
| 656 | -22 | TC | 18053 | 18077 | 18097 | 18122 | 19138 | 19160 | 19183 | 19206 | 20281 | 20308 | 20334 | 20357 | 21504 | 21527 | 21554 | 21581 |
| | | S/T | 0.21 | 0.25 | 0.28 | 0.32 | 0.22 | 0.26 | 0.30 | 0.34 | 0.24 | 0.28 | 0.32 | 0.36 | 0.25 | 0.29 | 0.33 | 0.38 |
| | | PI | 1.09 | 1.09 | 1.09 | 1.09 | 1.16 | 1.16 | 1.16 | 1.16 | 1.22 | 1.23 | 1.23 | 1.23 | 1.30 | 1.30 | 1.30 | 1.30 |
| | -10 | TC | 17816 | 17840 | 17860 | 17884 | 18887 | 18909 | 18931 | 18954 | 20015 | 20041 | 20067 | 20090 | 21222 | 21245 | 21271 | 21298 |
| | | S/T | 0.21 | 0.25 | 0.28 | 0.32 | 0.23 | 0.26 | 0.30 | 0.34 | 0.24 | 0.28 | 0.32 | 0.36 | 0.25 | 0.30 | 0.34 | 0.38 |
| | | PI | 1.12 | 1.12 | 1.13 | 1.13 | 1.19 | 1.19 | 1.19 | 1.19 | 1.26 | 1.26 | 1.26 | 1.27 | 1.34 | 1.34 | 1.34 | 1.34 |
| | 0 | TC | 17619 | 17642 | 17662 | 17686 | 18677 | 18700 | 18722 | 18744 | 19794 | 19819 | 19845 | 19867 | 20987 | 21010 | 21036 | 21062 |
| | | S/T | 0.21 | 0.25 | 0.28 | 0.32 | 0.23 | 0.27 | 0.30 | 0.34 | 0.24 | 0.28 | 0.32 | 0.36 | 0.25 | 0.30 | 0.34 | 0.39 |
| | | PI | 1.15 | 1.15 | 1.15 | 1.16 | 1.22 | 1.22 | 1.22 | 1.22 | 1.29 | 1.29 | 1.30 | 1.30 | 1.37 | 1.37 | 1.37 | 1.37 |
| | 5 | TC | 17520 | 17543 | 17563 | 17587 | 18573 | 18595 | 18617 | 18639 | 19683 | 19708 | 19734 | 19756 | 20869 | 20892 | 20918 | 20944 |
| | | S/T | 0.21 | 0.25 | 0.29 | 0.33 | 0.23 | 0.27 | 0.30 | 0.35 | 0.24 | 0.28 | 0.32 | 0.37 | 0.26 | 0.30 | 0.34 | 0.39 |
| | | PI | 1.16 | 1.17 | 1.17 | 1.17 | 1.23 | 1.24 | 1.24 | 1.24 | 1.31 | 1.31 | 1.31 | 1.31 | 1.39 | 1.39 | 1.39 | 1.39 |
| | 14 | TC | 17342 | 17366 | 17385 | 17409 | 18385 | 18406 | 18428 | 18450 | 19483 | 19509 | 19534 | 19556 | 20658 | 20680 | 20706 | 20732 |
| | | S/T | 0.22 | 0.25 | 0.29 | 0.33 | 0.23 | 0.27 | 0.30 | 0.35 | 0.24 | 0.28 | 0.32 | 0.37 | 0.26 | 0.30 | 0.34 | 0.39 |
| | | PI | 1.19 | 1.19 | 1.19 | 1.19 | 1.26 | 1.26 | 1.26 | 1.27 | 1.34 | 1.34 | 1.34 | 1.34 | 1.42 | 1.42 | 1.42 | 1.42 |
| | 17 | TC | 17283 | 17306 | 17326 | 17349 | 18322 | 18344 | 18365 | 18387 | 19417 | 19442 | 19467 | 19489 | 20587 | 20610 | 20635 | 20661 |
| | | S/T | 0.22 | 0.25 | 0.29 | 0.33 | 0.23 | 0.27 | 0.30 | 0.35 | 0.24 | 0.28 | 0.32 | 0.37 | 0.26 | 0.30 | 0.34 | 0.39 |
| | | PI | 1.20 | 1.20 | 1.20 | 1.20 | 1.27 | 1.27 | 1.27 | 1.27 | 1.35 | 1.35 | 1.35 | 1.35 | 1.43 | 1.43 | 1.43 | 1.43 |
| | 23 | TC | 17204 | 17227 | 17247 | 17270 | 18238 | 18260 | 18282 | 18303 | 19328 | 19353 | 19378 | 19400 | 20493 | 20516 | 20541 | 20567 |
| | | S/T | 0.22 | 0.25 | 0.29 | 0.33 | 0.23 | 0.27 | 0.31 | 0.35 | 0.24 | 0.29 | 0.32 | 0.37 | 0.26 | 0.30 | 0.34 | 0.39 |
| | | PI | 1.20 | 1.20 | 1.21 | 1.21 | 1.28 | 1.28 | 1.28 | 1.28 | 1.35 | 1.35 | 1.36 | 1.36 | 1.43 | 1.43 | 1.44 | 1.44 |
| | 32 | TC | 17086 | 17109 | 17128 | 17151 | 18113 | 18134 | 18156 | 18177 | 19195 | 19220 | 19245 | 19267 | 20352 | 20374 | 20400 | 20425 |
| | | S/T | 0.22 | 0.26 | 0.29 | 0.33 | 0.23 | 0.27 | 0.31 | 0.35 | 0.24 | 0.29 | 0.33 | 0.37 | 0.26 | 0.30 | 0.35 | 0.39 |
| | | PI | 1.21 | 1.21 | 1.21 | 1.22 | 1.28 | 1.29 | 1.29 | 1.29 | 1.36 | 1.36 | 1.36 | 1.37 | 1.44 | 1.44 | 1.45 | 1.45 |
| | 41 | TC | 16928 | 16951 | 16970 | 16993 | 17945 | 17967 | 17988 | 18009 | 19018 | 19043 | 19067 | 19089 | 20164 | 20186 | 20211 | 20236 |
| | | S/T | 0.22 | 0.26 | 0.29 | 0.33 | 0.23 | 0.27 | 0.31 | 0.35 | 0.25 | 0.29 | 0.33 | 0.37 | 0.26 | 0.31 | 0.35 | 0.40 |
| | | PI | 1.22 | 1.22 | 1.23 | 1.23 | 1.30 | 1.30 | 1.30 | 1.30 | 1.37 | 1.38 | 1.38 | 1.38 | 1.46 | 1.46 | 1.46 | 1.46 |
| | 47 | TC | 16810 | 16832 | 16851 | 16874 | 17820 | 17841 | 17862 | 17883 | 18885 | 18909 | 18934 | 18955 | 20023 | 20045 | 20070 | 20095 |
| | | S/T | 0.22 | 0.26 | 0.29 | 0.33 | 0.23 | 0.27 | 0.31 | 0.35 | 0.25 | 0.29 | 0.33 | 0.37 | 0.26 | 0.31 | 0.35 | 0.40 |
| | | PI | 1.23 | 1.23 | 1.23 | 1.24 | 1.31 | 1.31 | 1.31 | 1.31 | 1.38 | 1.38 | 1.38 | 1.38 | 1.47 | 1.47 | 1.47 | 1.47 |
| | 50 | TC | 16795 | 16818 | 16837 | 16860 | 17805 | 17826 | 17847 | 17868 | 18869 | 18893 | 18918 | 18939 | 20006 | 20028 | 20053 | 20078 |
| | | S/T | 0.22 | 0.26 | 0.29 | 0.33 | 0.23 | 0.27 | 0.31 | 0.35 | 0.25 | 0.29 | 0.33 | 0.38 | 0.26 | 0.31 | 0.35 | 0.40 |
| | | PI | 1.23 | 1.24 | 1.24 | 1.24 | 1.31 | 1.31 | 1.31 | 1.31 | 1.39 | 1.39 | 1.39 | 1.39 | 1.47 | 1.47 | 1.47 | 1.48 |
| | 59 | TC | 16753 | 16775 | 16794 | 16817 | 17759 | 17780 | 17801 | 17823 | 18821 | 18845 | 18870 | 18891 | 19955 | 19977 | 20002 | 20027 |
| | | S/T | 0.22 | 0.26 | 0.29 | 0.34 | 0.23 | 0.27 | 0.31 | 0.36 | 0.25 | 0.29 | 0.33 | 0.38 | 0.26 | 0.31 | 0.35 | 0.40 |
| | | PI | 1.24 | 1.24 | 1.25 | 1.25 | 1.32 | 1.32 | 1.32 | 1.32 | 1.40 | 1.40 | 1.40 | 1.40 | 1.48 | 1.48 | 1.48 | 1.49 |
| 68 | TC | 16710 | 16732 | 16751 | 16773 | 17714 | 17735 | 17756 | 17777 | 18772 | 18797 | 18821 | 18842 | 19904 | 19926 | 19951 | 19975 | |
| | S/T | 0.22 | 0.26 | 0.30 | 0.34 | 0.24 | 0.28 | 0.31 | 0.36 | 0.25 | 0.29 | 0.33 | 0.38 | 0.26 | 0.31 | 0.35 | 0.40 | |
| | PI | 1.25 | 1.25 | 1.26 | 1.26 | 1.33 | 1.33 | 1.33 | 1.33 | 1.41 | 1.41 | 1.41 | 1.41 | 1.49 | 1.49 | 1.50 | 1.50 | |
| 77 | TC | 16667 | 16689 | 16708 | 16730 | 17669 | 17689 | 17710 | 17731 | 18724 | 18749 | 18773 | 18794 | 19853 | 19875 | 19899 | 19924 | |
| | S/T | 0.23 | 0.27 | 0.30 | 0.35 | 0.24 | 0.28 | 0.32 | 0.37 | 0.26 | 0.30 | 0.34 | 0.39 | 0.27 | 0.32 | 0.36 | 0.41 | |
| | PI | 1.26 | 1.26 | 1.26 | 1.27 | 1.34 | 1.34 | 1.34 | 1.34 | 1.42 | 1.42 | 1.42 | 1.42 | 1.50 | 1.50 | 1.51 | 1.51 | |
| 86 | TC | 14427 | 14447 | 14463 | 14482 | 15294 | 15312 | 15331 | 15349 | 16208 | 16229 | 16250 | 16269 | 17185 | 17204 | 17225 | 17247 | |
| | S/T | 0.23 | 0.27 | 0.31 | 0.35 | 0.24 | 0.29 | 0.33 | 0.37 | 0.26 | 0.30 | 0.35 | 0.39 | 0.27 | 0.32 | 0.37 | 0.42 | |
| | PI | 1.37 | 1.37 | 1.37 | 1.37 | 1.45 | 1.45 | 1.45 | 1.45 | 1.53 | 1.54 | 1.54 | 1.54 | 1.63 | 1.63 | 1.63 | 1.63 | |
| 95 | TC | 13877 | 13896 | 13912 | 13930 | 14712 | 14729 | 14746 | 14764 | 15591 | 15611 | 15631 | 15649 | 16530 | 16548 | 16569 | 16590 | |
| | S/T | 0.24 | 0.28 | 0.32 | 0.36 | 0.25 | 0.29 | 0.33 | 0.38 | 0.27 | 0.31 | 0.35 | 0.40 | 0.28 | 0.33 | 0.38 | 0.43 | |
| | PI | 1.40 | 1.40 | 1.40 | 1.40 | 1.48 | 1.48 | 1.48 | 1.48 | 1.57 | 1.57 | 1.57 | 1.58 | 1.66 | 1.67 | 1.67 | 1.67 | |
| 104 | TC | 12011 | 12027 | 12040 | 12057 | 12733 | 12748 | 12763 | 12778 | 13494 | 13511 | 13529 | 13544 | 14307 | 14323 | 14340 | 14358 | |
| | S/T | 0.25 | 0.29 | 0.33 | 0.38 | 0.26 | 0.31 | 0.35 | 0.40 | 0.28 | 0.33 | 0.37 | 0.42 | 0.30 | 0.35 | 0.39 | 0.45 | |
| | PI | 3.01 | 3.01 | 3.01 | 3.02 | 3.19 | 3.19 | 3.20 | 3.20 | 3.38 | 3.38 | 3.39 | 3.39 | 3.58 | 3.59 | 3.59 | 3.60 | |
| 114.8 | TC | 9771 | 9784 | 9795 | 9808 | 10358 | 10370 | 10383 | 10395 | 10977 | 10991 | 11006 | 11018 | 11639 | 11651 | 11666 | 11680 | |
| | S/T | 0.25 | 0.29 | 0.34 | 0.38 | 0.27 | 0.31 | 0.36 | 0.41 | 0.28 | 0.33 | 0.38 | 0.43 | 0.30 | 0.35 | 0.40 | 0.46 | |
| | PI | 4.94 | 4.95 | 4.95 | 4.96 | 5.24 | 5.24 | 5.25 | 5.26 | 5.55 | 5.56 | 5.56 | 5.57 | 5.88 | 5.89 | 5.90 | 5.90 | |
| 122 | TC | 8277 | 8289 | 8298 | 8309 | 8775 | 8785 | 8796 | 8806 | 9299 | 9311 | 9323 | 9334 | 9860 | 9871 | 9883 | 9895 | |
| | S/T | 0.26 | 0.31 | 0.35 | 0.40 | 0.28 | 0.32 | 0.37 | 0.42 | 0.29 | 0.34 | 0.39 | 0.44 | 0.31 | 0.36 | 0.41 | 0.47 | |
| | PI | 6.23 | 6.24 | 6.24 | 6.25 | 6.60 | 6.61 | 6.62 | 6.63 | 7.00 | 7.01 | 7.01 | 7.02 | 7.42 | 7.43 | 7.44 | 7.44 | |

DUCTED PLUS NON-DUCTED COOLING PERFORMANCE 30HH (Sheet 2 of 4)

| AIRFLOW (CFM) | OUTDOOR DB (°F) | ID WB (°F) ID DB (°F) | 60.8 | | | | 64.4 | | | | 66.2 | | | | 71.6 | | | |
|------------------|--------------------|--------------------------|-------|-------|-------|-------|-------|-------|-------|-------|-------|-------|-------|-------|-------|-------|-------|-------|
| | | | 73.4 | 77.0 | 80.6 | 84.2 | 73.4 | 77.0 | 80.6 | 84.2 | 73.4 | 77.0 | 80.0 | 84.20 | 73.4 | 77.0 | 80.6 | 84.2 |
| | | | TC | S/T | PI | TC | S/T | PI | TC | S/T | PI | TC | S/T | PI | TC | S/T | PI | TC |
| 854 | -22 | TC | 25877 | 25911 | 25940 | 25975 | 27432 | 27464 | 27497 | 27529 | 29071 | 29109 | 29147 | 29179 | 30824 | 30857 | 30895 | 30934 |
| | | S/T | 0.32 | 0.37 | 0.42 | 0.48 | 0.34 | 0.39 | 0.45 | 0.51 | 0.36 | 0.42 | 0.47 | 0.54 | 0.38 | 0.44 | 0.50 | 0.57 |
| | | PI | 1.63 | 1.63 | 1.63 | 1.63 | 1.73 | 1.73 | 1.73 | 1.73 | 1.83 | 1.83 | 1.83 | 1.84 | 1.94 | 1.94 | 1.94 | 1.94 |
| | -10 | TC | 25537 | 25571 | 25600 | 25635 | 27072 | 27104 | 27136 | 27168 | 28690 | 28727 | 28764 | 28796 | 30419 | 30452 | 30490 | 30528 |
| | | S/T | 0.32 | 0.37 | 0.43 | 0.48 | 0.34 | 0.40 | 0.45 | 0.51 | 0.36 | 0.42 | 0.48 | 0.54 | 0.38 | 0.45 | 0.51 | 0.58 |
| | | PI | 1.68 | 1.68 | 1.68 | 1.68 | 1.78 | 1.78 | 1.78 | 1.79 | 1.89 | 1.89 | 1.89 | 1.89 | 2.00 | 2.00 | 2.00 | 2.01 |
| | 0 | TC | 25254 | 25288 | 25317 | 25351 | 26772 | 26804 | 26836 | 26868 | 28372 | 28409 | 28446 | 28478 | 30082 | 30115 | 30153 | 30190 |
| | | S/T | 0.32 | 0.38 | 0.43 | 0.49 | 0.34 | 0.40 | 0.45 | 0.52 | 0.36 | 0.42 | 0.48 | 0.55 | 0.38 | 0.45 | 0.51 | 0.58 |
| | | PI | 1.72 | 1.72 | 1.72 | 1.73 | 1.82 | 1.83 | 1.83 | 1.83 | 1.93 | 1.93 | 1.94 | 1.94 | 2.05 | 2.05 | 2.05 | 2.06 |
| | 5 | TC | 25113 | 25147 | 25175 | 25209 | 26622 | 26654 | 26685 | 26717 | 28213 | 28250 | 28287 | 28318 | 29914 | 29946 | 29984 | 30021 |
| | | S/T | 0.32 | 0.38 | 0.43 | 0.49 | 0.34 | 0.40 | 0.45 | 0.52 | 0.36 | 0.42 | 0.48 | 0.55 | 0.38 | 0.45 | 0.51 | 0.58 |
| | | PI | 1.74 | 1.74 | 1.74 | 1.75 | 1.85 | 1.85 | 1.85 | 1.85 | 1.96 | 1.96 | 1.96 | 1.96 | 2.07 | 2.08 | 2.08 | 2.08 |
| | 14 | TC | 24858 | 24892 | 24920 | 24953 | 26352 | 26384 | 26415 | 26446 | 27927 | 27963 | 28000 | 28031 | 29611 | 29643 | 29680 | 29717 |
| | | S/T | 0.32 | 0.38 | 0.43 | 0.49 | 0.34 | 0.40 | 0.46 | 0.52 | 0.36 | 0.43 | 0.48 | 0.55 | 0.39 | 0.45 | 0.51 | 0.59 |
| | | PI | 1.78 | 1.78 | 1.78 | 1.78 | 1.88 | 1.89 | 1.89 | 1.89 | 2.00 | 2.00 | 2.00 | 2.00 | 2.12 | 2.12 | 2.12 | 2.13 |
| | 17 | TC | 24774 | 24807 | 24835 | 24868 | 26263 | 26294 | 26325 | 26356 | 27832 | 27868 | 27904 | 27935 | 29510 | 29542 | 29579 | 29615 |
| | | S/T | 0.32 | 0.38 | 0.43 | 0.49 | 0.34 | 0.40 | 0.46 | 0.52 | 0.36 | 0.43 | 0.49 | 0.55 | 0.39 | 0.45 | 0.51 | 0.59 |
| | | PI | 1.79 | 1.79 | 1.79 | 1.80 | 1.90 | 1.90 | 1.90 | 1.90 | 2.01 | 2.01 | 2.02 | 2.02 | 2.13 | 2.13 | 2.14 | 2.14 |
| | 23 | TC | 24660 | 24694 | 24721 | 24755 | 26143 | 26174 | 26205 | 26236 | 27705 | 27741 | 27777 | 27808 | 29375 | 29407 | 29443 | 29480 |
| | | S/T | 0.32 | 0.38 | 0.43 | 0.49 | 0.34 | 0.40 | 0.46 | 0.52 | 0.37 | 0.43 | 0.49 | 0.55 | 0.39 | 0.45 | 0.52 | 0.59 |
| | | PI | 1.80 | 1.80 | 1.80 | 1.81 | 1.91 | 1.91 | 1.91 | 1.91 | 2.02 | 2.02 | 2.03 | 2.03 | 2.14 | 2.14 | 2.15 | 2.15 |
| | 32 | TC | 24491 | 24524 | 24551 | 24584 | 25963 | 25993 | 26024 | 26055 | 27514 | 27550 | 27586 | 27617 | 29173 | 29205 | 29241 | 29277 |
| | | S/T | 0.33 | 0.38 | 0.44 | 0.50 | 0.35 | 0.41 | 0.46 | 0.53 | 0.37 | 0.43 | 0.49 | 0.56 | 0.39 | 0.46 | 0.52 | 0.59 |
| | | PI | 1.81 | 1.81 | 1.82 | 1.82 | 1.92 | 1.92 | 1.92 | 1.93 | 2.03 | 2.04 | 2.04 | 2.04 | 2.16 | 2.16 | 2.16 | 2.16 |
| | 41 | TC | 24265 | 24297 | 24324 | 24357 | 25723 | 25753 | 25784 | 25814 | 27260 | 27295 | 27331 | 27361 | 28903 | 28935 | 28971 | 29007 |
| | | S/T | 0.33 | 0.39 | 0.44 | 0.50 | 0.35 | 0.41 | 0.46 | 0.53 | 0.37 | 0.43 | 0.49 | 0.56 | 0.39 | 0.46 | 0.52 | 0.59 |
| | | PI | 1.83 | 1.83 | 1.83 | 1.83 | 1.94 | 1.94 | 1.94 | 1.94 | 2.05 | 2.06 | 2.06 | 2.06 | 2.18 | 2.18 | 2.18 | 2.18 |
| | 47 | TC | 24095 | 24127 | 24154 | 24187 | 25543 | 25573 | 25604 | 25634 | 27069 | 27105 | 27140 | 27170 | 28701 | 28732 | 28768 | 28804 |
| | | S/T | 0.33 | 0.39 | 0.44 | 0.50 | 0.35 | 0.41 | 0.46 | 0.53 | 0.37 | 0.43 | 0.49 | 0.56 | 0.39 | 0.46 | 0.52 | 0.60 |
| | | PI | 1.84 | 1.84 | 1.84 | 1.85 | 1.95 | 1.95 | 1.96 | 1.96 | 2.07 | 2.07 | 2.07 | 2.07 | 2.19 | 2.19 | 2.20 | 2.20 |
| | 50 | TC | 24074 | 24107 | 24134 | 24166 | 25521 | 25552 | 25582 | 25612 | 27046 | 27082 | 27117 | 27147 | 28677 | 28708 | 28744 | 28780 |
| | | S/T | 0.33 | 0.39 | 0.44 | 0.50 | 0.35 | 0.41 | 0.47 | 0.53 | 0.37 | 0.43 | 0.49 | 0.56 | 0.39 | 0.46 | 0.52 | 0.60 |
| | | PI | 1.84 | 1.85 | 1.85 | 1.85 | 1.96 | 1.96 | 1.96 | 1.96 | 2.07 | 2.07 | 2.08 | 2.08 | 2.20 | 2.20 | 2.20 | 2.21 |
| | 59 | TC | 24013 | 24045 | 24072 | 24105 | 25456 | 25486 | 25517 | 25547 | 26977 | 27012 | 27048 | 27078 | 28604 | 28635 | 28670 | 28706 |
| | | S/T | 0.33 | 0.39 | 0.44 | 0.50 | 0.35 | 0.41 | 0.47 | 0.53 | 0.37 | 0.44 | 0.50 | 0.57 | 0.39 | 0.46 | 0.53 | 0.60 |
| | | PI | 1.86 | 1.86 | 1.86 | 1.87 | 1.97 | 1.97 | 1.97 | 1.98 | 2.09 | 2.09 | 2.09 | 2.10 | 2.21 | 2.22 | 2.22 | 2.22 |
| | 68 | TC | 23951 | 23984 | 24011 | 24043 | 25391 | 25421 | 25451 | 25481 | 26908 | 26943 | 26978 | 27008 | 28530 | 28562 | 28597 | 28633 |
| | | S/T | 0.33 | 0.39 | 0.44 | 0.51 | 0.35 | 0.41 | 0.47 | 0.54 | 0.37 | 0.44 | 0.50 | 0.57 | 0.40 | 0.47 | 0.53 | 0.60 |
| | | PI | 1.87 | 1.87 | 1.88 | 1.88 | 1.98 | 1.99 | 1.99 | 1.99 | 2.10 | 2.11 | 2.11 | 2.11 | 2.23 | 2.23 | 2.23 | 2.24 |
| | 77 | TC | 23890 | 23922 | 23949 | 23981 | 25326 | 25356 | 25386 | 25416 | 26839 | 26874 | 26909 | 26939 | 28457 | 28488 | 28524 | 28559 |
| | | S/T | 0.34 | 0.40 | 0.46 | 0.52 | 0.36 | 0.43 | 0.48 | 0.55 | 0.38 | 0.45 | 0.51 | 0.58 | 0.41 | 0.48 | 0.54 | 0.62 |
| | | PI | 1.89 | 1.89 | 1.89 | 1.89 | 2.00 | 2.00 | 2.00 | 2.01 | 2.12 | 2.12 | 2.12 | 2.13 | 2.25 | 2.25 | 2.25 | 2.25 |
| | 86 | TC | 20680 | 20708 | 20731 | 20759 | 21923 | 21949 | 21975 | 22001 | 23233 | 23263 | 23293 | 23319 | 24633 | 24660 | 24691 | 24722 |
| | | S/T | 0.35 | 0.41 | 0.46 | 0.53 | 0.37 | 0.43 | 0.49 | 0.56 | 0.39 | 0.46 | 0.52 | 0.59 | 0.41 | 0.48 | 0.55 | 0.63 |
| | | PI | 2.04 | 2.04 | 2.05 | 2.05 | 2.16 | 2.17 | 2.17 | 2.17 | 2.29 | 2.30 | 2.30 | 2.30 | 2.43 | 2.44 | 2.44 | 2.44 |
| | 95 | TC | 19892 | 19919 | 19941 | 19968 | 21087 | 21112 | 21137 | 21162 | 22347 | 22377 | 22406 | 22431 | 23695 | 23720 | 23750 | 23780 |
| | | S/T | 0.36 | 0.42 | 0.47 | 0.54 | 0.38 | 0.44 | 0.50 | 0.57 | 0.40 | 0.47 | 0.53 | 0.61 | 0.42 | 0.50 | 0.56 | 0.64 |
| | | PI | 2.09 | 2.09 | 2.09 | 2.10 | 2.21 | 2.22 | 2.22 | 2.22 | 2.35 | 2.35 | 2.35 | 2.36 | 2.49 | 2.49 | 2.49 | 2.50 |
| 104 | TC | 17216 | 17239 | 17259 | 17282 | 18251 | 18273 | 18294 | 18316 | 19342 | 19367 | 19392 | 19413 | 20507 | 20530 | 20555 | 20581 | |
| | S/T | 0.37 | 0.44 | 0.50 | 0.57 | 0.40 | 0.46 | 0.53 | 0.60 | 0.42 | 0.49 | 0.56 | 0.64 | 0.44 | 0.52 | 0.59 | 0.68 | |
| | PI | 4.50 | 4.50 | 4.51 | 4.51 | 4.77 | 4.77 | 4.78 | 4.78 | 5.05 | 5.06 | 5.06 | 5.07 | 5.35 | 5.36 | 5.37 | 5.37 | |
| 114.8 | TC | 14005 | 14024 | 14040 | 14059 | 14847 | 14865 | 14882 | 14900 | 15734 | 15755 | 15775 | 15793 | 16683 | 16701 | 16722 | 16743 | |
| | S/T | 0.38 | 0.44 | 0.50 | 0.57 | 0.40 | 0.47 | 0.53 | 0.61 | 0.42 | 0.50 | 0.57 | 0.64 | 0.45 | 0.53 | 0.60 | 0.68 | |
| | PI | 7.38 | 7.39 | 7.40 | 7.41 | 7.83 | 7.84 | 7.84 | 7.85 | 8.29 | 8.30 | 8.32 | 8.32 | 8.79 | 8.80 | 8.81 | 8.83 | |
| 122 | TC | 11865 | 11881 | 11894 | 11910 | 12578 | 12593 | 12608 | 12623 | 13330 | 13347 | 13364 | 13379 | 14133 | 14148 | 14166 | 14184 | |
| | S/T | 0.39 | 0.46 | 0.52 | 0.59 | 0.41 | 0.49 | 0.55 | 0.63 | 0.44 | 0.52 | 0.59 | 0.67 | 0.47 | 0.55 | 0.62 | 0.71 | |
| | PI | 9.31 | 9.32 | 9.33 | 9.34 | 9.87 | 9.88 | 9.89 | 9.90 | 10.46 | 10.47 | 10.48 | 10.50 | 11.09 | 11.10 | 11.11 | 11.13 | |

DUCTED PLUS NON-DUCTED COOLING PERFORMANCE 30HH (Sheet 3 of 4)

| AIRFLOW (CFM) | OUTDOOR DB (°F) | ID WB (°F) | 60.8 | | | | 64.4 | | | | 66.2 | | | | 71.6 | | | |
|---------------|-----------------|------------|------------|-------|-------|-------|-------|-------|-------|-------|-------|-------|-------|-------|-------|-------|-------|-------|
| | | | ID DB (°F) | 73.4 | 77.0 | 80.6 | 84.2 | 73.4 | 77.0 | 80.6 | 84.2 | 73.4 | 77.0 | 80.0 | 84.20 | 73.4 | 77.0 | 80.6 |
| 1280 | -22 | TC | 38873 | 38926 | 38969 | 39022 | 41210 | 41258 | 41307 | 41356 | 43672 | 43729 | 43786 | 43835 | 46305 | 46355 | 46413 | 46471 |
| | | S/T | 0.48 | 0.56 | 0.63 | 0.72 | 0.50 | 0.59 | 0.67 | 0.77 | 0.53 | 0.63 | 0.71 | 0.81 | 0.57 | 0.67 | 0.76 | 0.86 |
| | | PI | 2.45 | 2.45 | 2.45 | 2.46 | 2.59 | 2.60 | 2.60 | 2.60 | 2.75 | 2.75 | 2.76 | 2.76 | 2.91 | 2.92 | 2.92 | 2.92 |
| | -10 | TC | 38363 | 38415 | 38458 | 38510 | 40669 | 40717 | 40766 | 40814 | 43099 | 43155 | 43212 | 43260 | 45698 | 45747 | 45804 | 45861 |
| | | S/T | 0.48 | 0.56 | 0.64 | 0.73 | 0.51 | 0.60 | 0.68 | 0.77 | 0.54 | 0.63 | 0.72 | 0.82 | 0.57 | 0.67 | 0.76 | 0.87 |
| | | PI | 2.52 | 2.52 | 2.53 | 2.53 | 2.67 | 2.68 | 2.68 | 2.68 | 2.83 | 2.84 | 2.84 | 2.84 | 3.00 | 3.01 | 3.01 | 3.01 |
| | 0 | TC | 37939 | 37990 | 38032 | 38083 | 40219 | 40266 | 40314 | 40362 | 42622 | 42677 | 42733 | 42781 | 45192 | 45241 | 45297 | 45353 |
| | | S/T | 0.48 | 0.57 | 0.64 | 0.73 | 0.51 | 0.60 | 0.68 | 0.78 | 0.54 | 0.64 | 0.72 | 0.82 | 0.57 | 0.67 | 0.77 | 0.87 |
| | | PI | 2.58 | 2.59 | 2.59 | 2.59 | 2.74 | 2.74 | 2.75 | 2.75 | 2.90 | 2.91 | 2.91 | 2.91 | 3.08 | 3.08 | 3.08 | 3.08 |
| | 5 | TC | 37726 | 37777 | 37819 | 37870 | 39994 | 40041 | 40088 | 40136 | 42383 | 42439 | 42494 | 42541 | 44939 | 44987 | 45043 | 45099 |
| | | S/T | 0.48 | 0.57 | 0.64 | 0.73 | 0.51 | 0.60 | 0.68 | 0.78 | 0.54 | 0.64 | 0.72 | 0.83 | 0.58 | 0.68 | 0.77 | 0.88 |
| | | PI | 2.61 | 2.62 | 2.62 | 2.62 | 2.77 | 2.78 | 2.78 | 2.78 | 2.94 | 2.94 | 2.95 | 2.95 | 3.11 | 3.12 | 3.12 | 3.13 |
| | 14 | TC | 37344 | 37394 | 37436 | 37486 | 39588 | 39635 | 39682 | 39729 | 41954 | 42008 | 42063 | 42110 | 44483 | 44531 | 44587 | 44642 |
| | | S/T | 0.49 | 0.57 | 0.65 | 0.74 | 0.51 | 0.60 | 0.69 | 0.78 | 0.55 | 0.64 | 0.73 | 0.83 | 0.58 | 0.68 | 0.77 | 0.88 |
| | | PI | 2.67 | 2.67 | 2.68 | 2.68 | 2.83 | 2.83 | 2.84 | 2.84 | 3.00 | 3.00 | 3.01 | 3.01 | 3.18 | 3.18 | 3.19 | 3.19 |
| | 17 | TC | 37216 | 37266 | 37308 | 37359 | 39453 | 39500 | 39547 | 39594 | 41811 | 41865 | 41919 | 41966 | 44331 | 44379 | 44435 | 44490 |
| | | S/T | 0.49 | 0.57 | 0.65 | 0.74 | 0.52 | 0.61 | 0.69 | 0.78 | 0.55 | 0.64 | 0.73 | 0.83 | 0.58 | 0.68 | 0.77 | 0.88 |
| | | PI | 2.69 | 2.69 | 2.70 | 2.70 | 2.85 | 2.85 | 2.86 | 2.86 | 3.02 | 3.03 | 3.03 | 3.03 | 3.20 | 3.21 | 3.21 | 3.22 |
| | 23 | TC | 37046 | 37096 | 37138 | 37188 | 39273 | 39319 | 39366 | 39413 | 41620 | 41674 | 41728 | 41775 | 44129 | 44177 | 44232 | 44287 |
| | | S/T | 0.49 | 0.57 | 0.65 | 0.74 | 0.52 | 0.61 | 0.69 | 0.79 | 0.55 | 0.64 | 0.73 | 0.83 | 0.58 | 0.68 | 0.78 | 0.88 |
| | | PI | 2.70 | 2.71 | 2.71 | 2.71 | 2.86 | 2.87 | 2.87 | 2.87 | 3.04 | 3.04 | 3.04 | 3.05 | 3.22 | 3.22 | 3.23 | 3.23 |
| | 32 | TC | 36791 | 36841 | 36882 | 36932 | 39003 | 39049 | 39095 | 39142 | 41333 | 41387 | 41441 | 41487 | 43825 | 43873 | 43927 | 43982 |
| | | S/T | 0.49 | 0.58 | 0.65 | 0.75 | 0.52 | 0.61 | 0.69 | 0.79 | 0.55 | 0.65 | 0.74 | 0.84 | 0.58 | 0.69 | 0.78 | 0.89 |
| | | PI | 2.72 | 2.72 | 2.73 | 2.73 | 2.88 | 2.89 | 2.89 | 2.89 | 3.06 | 3.06 | 3.06 | 3.07 | 3.24 | 3.24 | 3.25 | 3.25 |
| | 41 | TC | 36452 | 36501 | 36542 | 36591 | 38642 | 38688 | 38734 | 38780 | 40952 | 41005 | 41058 | 41104 | 43420 | 43468 | 43522 | 43576 |
| | | S/T | 0.49 | 0.58 | 0.66 | 0.75 | 0.52 | 0.61 | 0.70 | 0.79 | 0.55 | 0.65 | 0.74 | 0.84 | 0.59 | 0.69 | 0.78 | 0.89 |
| | | PI | 2.75 | 2.75 | 2.75 | 2.76 | 2.91 | 2.91 | 2.92 | 2.92 | 3.08 | 3.09 | 3.09 | 3.10 | 3.27 | 3.27 | 3.28 | 3.28 |
| | 47 | TC | 36197 | 36245 | 36286 | 36335 | 38372 | 38418 | 38463 | 38509 | 40665 | 40718 | 40771 | 40817 | 43117 | 43164 | 43217 | 43271 |
| | | S/T | 0.49 | 0.58 | 0.66 | 0.75 | 0.52 | 0.61 | 0.70 | 0.80 | 0.56 | 0.65 | 0.74 | 0.84 | 0.59 | 0.69 | 0.78 | 0.89 |
| | | PI | 2.76 | 2.77 | 2.77 | 2.77 | 2.93 | 2.93 | 2.94 | 2.94 | 3.11 | 3.11 | 3.11 | 3.12 | 3.29 | 3.30 | 3.30 | 3.30 |
| | 50 | TC | 36166 | 36215 | 36255 | 36304 | 38340 | 38385 | 38431 | 38476 | 40631 | 40683 | 40736 | 40782 | 43080 | 43127 | 43181 | 43234 |
| | | S/T | 0.50 | 0.58 | 0.66 | 0.75 | 0.53 | 0.62 | 0.70 | 0.80 | 0.56 | 0.65 | 0.74 | 0.85 | 0.59 | 0.69 | 0.79 | 0.90 |
| | | PI | 2.77 | 2.77 | 2.78 | 2.78 | 2.94 | 2.94 | 2.94 | 2.95 | 3.11 | 3.12 | 3.12 | 3.12 | 3.30 | 3.30 | 3.31 | 3.31 |
| | 59 | TC | 36074 | 36122 | 36163 | 36211 | 38242 | 38287 | 38332 | 38378 | 40527 | 40580 | 40632 | 40678 | 42970 | 43017 | 43070 | 43124 |
| | | S/T | 0.50 | 0.58 | 0.66 | 0.76 | 0.53 | 0.62 | 0.70 | 0.80 | 0.56 | 0.66 | 0.75 | 0.85 | 0.59 | 0.70 | 0.79 | 0.90 |
| | | PI | 2.79 | 2.80 | 2.80 | 2.80 | 2.96 | 2.96 | 2.97 | 2.97 | 3.14 | 3.14 | 3.14 | 3.15 | 3.32 | 3.33 | 3.33 | 3.34 |
| | 68 | TC | 35981 | 36030 | 36070 | 36119 | 38144 | 38189 | 38234 | 38280 | 40423 | 40476 | 40528 | 40574 | 42860 | 42907 | 42960 | 43014 |
| | | S/T | 0.50 | 0.59 | 0.67 | 0.76 | 0.53 | 0.62 | 0.71 | 0.81 | 0.56 | 0.66 | 0.75 | 0.86 | 0.60 | 0.70 | 0.80 | 0.91 |
| | | PI | 2.81 | 2.82 | 2.82 | 2.82 | 2.98 | 2.98 | 2.99 | 2.99 | 3.16 | 3.16 | 3.17 | 3.17 | 3.35 | 3.35 | 3.36 | 3.36 |
| | 77 | TC | 35889 | 35937 | 35978 | 36026 | 38046 | 38091 | 38136 | 38182 | 40320 | 40372 | 40424 | 40470 | 42750 | 42797 | 42850 | 42903 |
| | | S/T | 0.51 | 0.60 | 0.69 | 0.78 | 0.54 | 0.64 | 0.73 | 0.83 | 0.58 | 0.68 | 0.77 | 0.88 | 0.61 | 0.72 | 0.82 | 0.93 |
| | | PI | 2.83 | 2.84 | 2.84 | 2.84 | 3.00 | 3.01 | 3.01 | 3.01 | 3.18 | 3.19 | 3.19 | 3.19 | 3.37 | 3.38 | 3.38 | 3.39 |
| | 86 | TC | 31067 | 31108 | 31143 | 31185 | 32934 | 32973 | 33012 | 33051 | 34902 | 34947 | 34993 | 35032 | 37006 | 37046 | 37092 | 37138 |
| | | S/T | 0.52 | 0.61 | 0.69 | 0.79 | 0.55 | 0.65 | 0.74 | 0.84 | 0.59 | 0.69 | 0.78 | 0.89 | 0.62 | 0.73 | 0.83 | 0.94 |
| | | PI | 3.07 | 3.07 | 3.08 | 3.08 | 3.25 | 3.26 | 3.26 | 3.26 | 3.45 | 3.45 | 3.46 | 3.46 | 3.65 | 3.66 | 3.66 | 3.67 |
| | 95 | TC | 29883 | 29923 | 29956 | 29997 | 31679 | 31716 | 31754 | 31792 | 33572 | 33615 | 33659 | 33697 | 35596 | 35634 | 35679 | 35723 |
| | | S/T | 0.53 | 0.63 | 0.71 | 0.81 | 0.57 | 0.66 | 0.75 | 0.86 | 0.60 | 0.70 | 0.80 | 0.91 | 0.64 | 0.75 | 0.85 | 0.97 |
| | | PI | 3.14 | 3.14 | 3.15 | 3.15 | 3.33 | 3.33 | 3.33 | 3.34 | 3.53 | 3.53 | 3.53 | 3.54 | 3.74 | 3.74 | 3.75 | 3.75 |
| 104 | TC | 25863 | 25898 | 25927 | 25962 | 27418 | 27450 | 27483 | 27515 | 29056 | 29094 | 29132 | 29164 | 30808 | 30841 | 30879 | 30918 | |
| | S/T | 0.56 | 0.66 | 0.75 | 0.85 | 0.59 | 0.70 | 0.79 | 0.90 | 0.63 | 0.74 | 0.84 | 0.96 | 0.67 | 0.78 | 0.89 | 1.02 | |
| | PI | 6.75 | 6.76 | 6.77 | 6.78 | 7.16 | 7.17 | 7.18 | 7.18 | 7.59 | 7.60 | 7.61 | 7.61 | 8.04 | 8.05 | 8.06 | 8.07 | |
| 114.8 | TC | 21040 | 21068 | 21092 | 21120 | 22304 | 22331 | 22357 | 22384 | 23637 | 23668 | 23699 | 23725 | 25062 | 25089 | 25120 | 25152 | |
| | S/T | 0.57 | 0.67 | 0.76 | 0.86 | 0.60 | 0.71 | 0.80 | 0.91 | 0.64 | 0.75 | 0.85 | 0.97 | 0.68 | 0.79 | 0.90 | 1.03 | |
| | PI | 11.09 | 11.11 | 11.12 | 11.13 | 11.76 | 11.77 | 11.79 | 11.80 | 12.46 | 12.48 | 12.49 | 12.51 | 13.21 | 13.23 | 13.24 | 13.26 | |
| 122 | TC | 17824 | 17848 | 17868 | 17892 | 18895 | 18918 | 18940 | 18963 | 20024 | 20050 | 20076 | 20099 | 21232 | 21255 | 21281 | 21308 | |
| | S/T | 0.59 | 0.69 | 0.78 | 0.89 | 0.62 | 0.73 | 0.83 | 0.95 | 0.66 | 0.77 | 0.88 | 1.00 | 0.70 | 0.82 | 0.93 | 1.06 | |
| | PI | 13.98 | 14.00 | 14.02 | 14.04 | 14.82 | 14.84 | 14.86 | 14.88 | 15.71 | 15.73 | 15.75 | 15.77 | 16.66 | 16.67 | 16.69 | 16.72 | |

DUCTED PLUS NON-DUCTED COOLING PERFORMANCE 30HH (Sheet 4 of 4)

| AIRFLOW (CFM) | OUTDOOR DB (°F) | ID WB (°F) ID DB (°F) | 60.8 | | | | 64.4 | | | | 66.2 | | | | 71.6 | | | |
|------------------|--------------------|--------------------------|-------|-------|-------|-------|-------|-------|-------|-------|-------|-------|-------|-------|-------|-------|-------|-------|
| | | | 73.4 | 77.0 | 80.6 | 84.2 | 73.4 | 77.0 | 80.6 | 84.2 | 73.4 | 77.0 | 80.0 | 84.20 | 73.4 | 77.0 | 80.6 | 84.2 |
| 1400 | -22 | TC | 40613 | 40668 | 40713 | 40768 | 43054 | 43105 | 43156 | 43207 | 45627 | 45686 | 45746 | 45797 | 48377 | 48430 | 48490 | 48551 |
| | | S/T | 0.50 | 0.58 | 0.66 | 0.76 | 0.53 | 0.62 | 0.70 | 0.80 | 0.56 | 0.66 | 0.74 | 0.85 | 0.59 | 0.69 | 0.79 | 0.90 |
| | | PI | 2.56 | 2.56 | 2.56 | 2.57 | 2.71 | 2.71 | 2.72 | 2.72 | 2.87 | 2.88 | 2.88 | 2.88 | 3.04 | 3.05 | 3.05 | 3.06 |
| | -10 | TC | 40080 | 40134 | 40179 | 40234 | 42489 | 42540 | 42590 | 42641 | 45028 | 45087 | 45146 | 45196 | 47743 | 47795 | 47854 | 47914 |
| | | S/T | 0.50 | 0.59 | 0.67 | 0.76 | 0.53 | 0.62 | 0.71 | 0.81 | 0.56 | 0.66 | 0.75 | 0.85 | 0.60 | 0.70 | 0.79 | 0.91 |
| | | PI | 2.63 | 2.64 | 2.64 | 2.64 | 2.79 | 2.80 | 2.80 | 2.80 | 2.96 | 2.96 | 2.97 | 2.97 | 3.14 | 3.14 | 3.15 | 3.15 |
| | 0 | TC | 39637 | 39690 | 39734 | 39788 | 42019 | 42069 | 42118 | 42168 | 44530 | 44588 | 44646 | 44695 | 47214 | 47266 | 47324 | 47383 |
| | | S/T | 0.50 | 0.59 | 0.67 | 0.77 | 0.53 | 0.63 | 0.71 | 0.81 | 0.57 | 0.66 | 0.75 | 0.86 | 0.60 | 0.70 | 0.80 | 0.91 |
| | | PI | 2.70 | 2.70 | 2.71 | 2.71 | 2.86 | 2.86 | 2.87 | 2.87 | 3.03 | 3.04 | 3.04 | 3.04 | 3.22 | 3.22 | 3.22 | 3.23 |
| | 5 | TC | 39415 | 39468 | 39512 | 39565 | 41784 | 41833 | 41883 | 41932 | 44280 | 44338 | 44396 | 44445 | 46950 | 47001 | 47059 | 47118 |
| | | S/T | 0.50 | 0.59 | 0.67 | 0.77 | 0.54 | 0.63 | 0.71 | 0.81 | 0.57 | 0.67 | 0.76 | 0.86 | 0.60 | 0.71 | 0.80 | 0.91 |
| | | PI | 2.73 | 2.74 | 2.74 | 2.74 | 2.90 | 2.90 | 2.90 | 2.91 | 3.07 | 3.07 | 3.08 | 3.08 | 3.25 | 3.26 | 3.26 | 3.27 |
| | 14 | TC | 39015 | 39068 | 39111 | 39164 | 41360 | 41409 | 41458 | 41507 | 43832 | 43889 | 43946 | 43995 | 46474 | 46525 | 46582 | 46640 |
| | | S/T | 0.51 | 0.60 | 0.68 | 0.77 | 0.54 | 0.63 | 0.72 | 0.82 | 0.57 | 0.67 | 0.76 | 0.87 | 0.60 | 0.71 | 0.81 | 0.92 |
| | | PI | 2.79 | 2.79 | 2.80 | 2.80 | 2.96 | 2.96 | 2.97 | 2.97 | 3.13 | 3.14 | 3.14 | 3.15 | 3.32 | 3.33 | 3.33 | 3.34 |
| | 17 | TC | 38882 | 38934 | 38978 | 39031 | 41219 | 41268 | 41317 | 41366 | 43682 | 43739 | 43796 | 43845 | 46315 | 46366 | 46423 | 46481 |
| | | S/T | 0.51 | 0.60 | 0.68 | 0.77 | 0.54 | 0.63 | 0.72 | 0.82 | 0.57 | 0.67 | 0.76 | 0.87 | 0.61 | 0.71 | 0.81 | 0.92 |
| | | PI | 2.81 | 2.81 | 2.82 | 2.82 | 2.98 | 2.98 | 2.99 | 2.99 | 3.16 | 3.16 | 3.16 | 3.17 | 3.35 | 3.35 | 3.35 | 3.36 |
| | 23 | TC | 38704 | 38757 | 38800 | 38852 | 41031 | 41079 | 41128 | 41177 | 43483 | 43539 | 43596 | 43644 | 46104 | 46154 | 46211 | 46269 |
| | | S/T | 0.51 | 0.60 | 0.68 | 0.78 | 0.54 | 0.63 | 0.72 | 0.82 | 0.57 | 0.67 | 0.76 | 0.87 | 0.61 | 0.71 | 0.81 | 0.92 |
| | | PI | 2.82 | 2.83 | 2.83 | 2.83 | 2.99 | 3.00 | 3.00 | 3.00 | 3.17 | 3.18 | 3.18 | 3.18 | 3.36 | 3.37 | 3.37 | 3.37 |
| | 32 | TC | 38438 | 38490 | 38533 | 38585 | 40748 | 40797 | 40845 | 40894 | 43183 | 43240 | 43296 | 43344 | 45787 | 45836 | 45893 | 45951 |
| | | S/T | 0.51 | 0.60 | 0.68 | 0.78 | 0.54 | 0.64 | 0.72 | 0.83 | 0.58 | 0.68 | 0.77 | 0.88 | 0.61 | 0.72 | 0.81 | 0.93 |
| | | PI | 2.84 | 2.85 | 2.85 | 2.85 | 3.01 | 3.02 | 3.02 | 3.02 | 3.19 | 3.20 | 3.20 | 3.21 | 3.39 | 3.39 | 3.39 | 3.40 |
| | 41 | TC | 38083 | 38134 | 38177 | 38229 | 40372 | 40420 | 40468 | 40516 | 42784 | 42840 | 42896 | 42944 | 45364 | 45413 | 45470 | 45526 |
| | | S/T | 0.52 | 0.60 | 0.69 | 0.78 | 0.55 | 0.64 | 0.73 | 0.83 | 0.58 | 0.68 | 0.77 | 0.88 | 0.61 | 0.72 | 0.82 | 0.93 |
| | | PI | 2.87 | 2.87 | 2.88 | 2.88 | 3.04 | 3.04 | 3.05 | 3.05 | 3.22 | 3.23 | 3.23 | 3.23 | 3.42 | 3.42 | 3.42 | 3.43 |
| | 47 | TC | 37817 | 37868 | 37910 | 37961 | 40090 | 40137 | 40185 | 40232 | 42485 | 42540 | 42596 | 42643 | 45046 | 45095 | 45152 | 45208 |
| | | S/T | 0.52 | 0.61 | 0.69 | 0.78 | 0.55 | 0.64 | 0.73 | 0.83 | 0.58 | 0.68 | 0.77 | 0.88 | 0.61 | 0.72 | 0.82 | 0.93 |
| | | PI | 2.89 | 2.89 | 2.90 | 2.90 | 3.06 | 3.07 | 3.07 | 3.07 | 3.24 | 3.25 | 3.25 | 3.26 | 3.44 | 3.44 | 3.45 | 3.45 |
| | 50 | TC | 37785 | 37835 | 37878 | 37929 | 40056 | 40103 | 40151 | 40198 | 42449 | 42504 | 42560 | 42607 | 45008 | 45057 | 45113 | 45169 |
| | | S/T | 0.52 | 0.61 | 0.69 | 0.79 | 0.55 | 0.64 | 0.73 | 0.83 | 0.58 | 0.68 | 0.78 | 0.88 | 0.62 | 0.72 | 0.82 | 0.94 |
| | | PI | 2.90 | 2.90 | 2.90 | 2.91 | 3.07 | 3.07 | 3.08 | 3.08 | 3.25 | 3.26 | 3.26 | 3.26 | 3.45 | 3.45 | 3.46 | 3.46 |
| | 59 | TC | 37688 | 37739 | 37781 | 37832 | 39953 | 40001 | 40048 | 40096 | 42341 | 42396 | 42451 | 42498 | 44893 | 44942 | 44998 | 45054 |
| | | S/T | 0.52 | 0.61 | 0.69 | 0.79 | 0.55 | 0.65 | 0.74 | 0.84 | 0.58 | 0.69 | 0.78 | 0.89 | 0.62 | 0.73 | 0.83 | 0.94 |
| | | PI | 2.92 | 2.92 | 2.92 | 2.93 | 3.09 | 3.10 | 3.10 | 3.10 | 3.28 | 3.28 | 3.28 | 3.29 | 3.47 | 3.48 | 3.48 | 3.49 |
| | 68 | TC | 37592 | 37642 | 37685 | 37735 | 39851 | 39898 | 39946 | 39993 | 42233 | 42287 | 42342 | 42390 | 44778 | 44827 | 44883 | 44939 |
| | | S/T | 0.52 | 0.61 | 0.70 | 0.79 | 0.55 | 0.65 | 0.74 | 0.84 | 0.59 | 0.69 | 0.78 | 0.89 | 0.62 | 0.73 | 0.83 | 0.95 |
| | | PI | 2.94 | 2.94 | 2.94 | 2.95 | 3.11 | 3.12 | 3.12 | 3.13 | 3.30 | 3.30 | 3.30 | 3.31 | 3.50 | 3.50 | 3.51 | 3.51 |
| | 77 | TC | 37495 | 37546 | 37588 | 37639 | 39749 | 39796 | 39843 | 39890 | 42124 | 42179 | 42234 | 42281 | 44664 | 44712 | 44768 | 44824 |
| | | S/T | 0.54 | 0.63 | 0.72 | 0.82 | 0.57 | 0.67 | 0.76 | 0.86 | 0.60 | 0.71 | 0.80 | 0.92 | 0.64 | 0.75 | 0.85 | 0.97 |
| | | PI | 2.96 | 2.96 | 2.97 | 2.97 | 3.14 | 3.14 | 3.14 | 3.15 | 3.32 | 3.33 | 3.33 | 3.34 | 3.52 | 3.53 | 3.53 | 3.54 |
| | 86 | TC | 32457 | 32501 | 32537 | 32581 | 34408 | 34449 | 34489 | 34530 | 36464 | 36511 | 36559 | 36600 | 38662 | 38704 | 38752 | 38801 |
| | | S/T | 0.54 | 0.64 | 0.72 | 0.83 | 0.58 | 0.68 | 0.77 | 0.88 | 0.61 | 0.72 | 0.81 | 0.93 | 0.65 | 0.76 | 0.86 | 0.98 |
| | | PI | 3.21 | 3.21 | 3.21 | 3.22 | 3.40 | 3.40 | 3.41 | 3.41 | 3.60 | 3.61 | 3.61 | 3.61 | 3.82 | 3.82 | 3.83 | 3.83 |
| | 95 | TC | 31220 | 31262 | 31297 | 31339 | 33097 | 33136 | 33175 | 33214 | 35074 | 35120 | 35166 | 35205 | 37189 | 37229 | 37275 | 37322 |
| | | S/T | 0.56 | 0.65 | 0.74 | 0.85 | 0.59 | 0.69 | 0.79 | 0.90 | 0.63 | 0.74 | 0.84 | 0.95 | 0.66 | 0.78 | 0.89 | 1.01 |
| | | PI | 3.28 | 3.28 | 3.29 | 3.29 | 3.48 | 3.48 | 3.48 | 3.49 | 3.68 | 3.69 | 3.69 | 3.70 | 3.90 | 3.91 | 3.91 | 3.92 |
| | 104 | TC | 27021 | 27057 | 27087 | 27124 | 28645 | 28679 | 28713 | 28747 | 30356 | 30396 | 30435 | 30469 | 32186 | 32221 | 32262 | 32302 |
| | | S/T | 0.59 | 0.69 | 0.78 | 0.89 | 0.62 | 0.73 | 0.83 | 0.94 | 0.66 | 0.77 | 0.88 | 1.00 | 0.70 | 0.82 | 0.93 | 1.06 |
| | | PI | 7.05 | 7.06 | 7.07 | 7.08 | 7.48 | 7.49 | 7.50 | 7.51 | 7.93 | 7.94 | 7.95 | 7.96 | 8.40 | 8.41 | 8.42 | 8.43 |
| | 114.8 | TC | 21981 | 22011 | 22036 | 22065 | 23302 | 23330 | 23358 | 23385 | 24695 | 24727 | 24759 | 24787 | 26184 | 26212 | 26245 | 26277 |
| | | S/T | 0.59 | 0.70 | 0.79 | 0.90 | 0.63 | 0.74 | 0.84 | 0.95 | 0.67 | 0.78 | 0.89 | 1.01 | 0.71 | 0.83 | 0.94 | 1.07 |
| | | PI | 11.59 | 11.60 | 11.62 | 11.63 | 12.28 | 12.30 | 12.31 | 12.33 | 13.02 | 13.03 | 13.05 | 13.07 | 13.80 | 13.82 | 13.83 | 13.85 |
| | 122 | TC | 18622 | 18647 | 18668 | 18693 | 19741 | 19764 | 19788 | 19811 | 20921 | 20948 | 20975 | 20998 | 22182 | 22206 | 22234 | 22261 |
| | | S/T | 0.61 | 0.72 | 0.82 | 0.93 | 0.65 | 0.76 | 0.87 | 0.99 | 0.69 | 0.81 | 0.92 | 1.05 | 0.73 | 0.86 | 0.97 | 1.11 |
| | | PI | 14.61 | 14.63 | 14.64 | 14.66 | 15.49 | 15.50 | 15.52 | 15.54 | 16.41 | 16.43 | 16.45 | 16.47 | 17.40 | 17.42 | 17.44 | 17.46 |

NOTE: Data highlighted in gray is extrapolated data and not actual test data. At 77°F outdoor conditions sweat protection activates causing a decrease in total capacity.

LEGEND

- TC - Total Net Capacity (Btu/hour)
- S/T: Sensible Cooling Capacity Ratio
- PI: Power Input (kW)
- Extrapolated Data

COOLING PERFORMANCE DUCTED PLUS NON-DUCTED

COOLING PERFORMANCE 36R (STANDARD)

DUCTED PLUS NON-DUCTED COOLING PERFORMANCE 36R (Sheet 1 of 4)

| AIRFLOW (CFM) | OUTDOOR DB (°F) | ID WB (°F) ID DB (°F) | 60.8 | | | | 64.4 | | | | 66.2 | | | | 71.6 | | | |
|---------------|-----------------|--------------------------|-------|-------|-------|-------|-------|-------|-------|-------|-------|-------|-------|-------|-------|-------|-------|-------|
| | | | 73.4 | 77.0 | 80.6 | 84.2 | 73.4 | 77.0 | 80.6 | 84.2 | 73.4 | 77.0 | 80.0 | 84.20 | 73.4 | 77.0 | 80.6 | 84.2 |
| 656 | -22 | TC | 21238 | 21267 | 21291 | 21320 | 22515 | 22542 | 22568 | 22595 | 23860 | 23891 | 23922 | 23949 | 25299 | 25326 | 25358 | 25389 |
| | | S/T | 0.21 | 0.25 | 0.28 | 0.32 | 0.22 | 0.26 | 0.30 | 0.34 | 0.24 | 0.28 | 0.32 | 0.36 | 0.25 | 0.29 | 0.33 | 0.38 |
| | | PI | 1.28 | 1.28 | 1.29 | 1.29 | 1.36 | 1.36 | 1.36 | 1.36 | 1.44 | 1.44 | 1.44 | 1.45 | 1.53 | 1.53 | 1.53 | 1.53 |
| | -10 | TC | 20960 | 20988 | 21012 | 21040 | 22220 | 22246 | 22272 | 22299 | 23547 | 23578 | 23609 | 23635 | 24967 | 24994 | 25025 | 25056 |
| | | S/T | 0.21 | 0.25 | 0.28 | 0.32 | 0.23 | 0.26 | 0.30 | 0.34 | 0.24 | 0.28 | 0.32 | 0.36 | 0.25 | 0.30 | 0.34 | 0.38 |
| | | PI | 1.32 | 1.32 | 1.32 | 1.33 | 1.40 | 1.40 | 1.40 | 1.41 | 1.48 | 1.49 | 1.49 | 1.49 | 1.57 | 1.58 | 1.58 | 1.58 |
| | 0 | TC | 20728 | 20756 | 20779 | 20807 | 21974 | 22000 | 22026 | 22052 | 23287 | 23317 | 23347 | 23373 | 24690 | 24717 | 24748 | 24779 |
| | | S/T | 0.21 | 0.25 | 0.28 | 0.32 | 0.23 | 0.27 | 0.30 | 0.34 | 0.24 | 0.28 | 0.32 | 0.36 | 0.25 | 0.30 | 0.34 | 0.39 |
| | | PI | 1.35 | 1.36 | 1.36 | 1.36 | 1.44 | 1.44 | 1.44 | 1.44 | 1.52 | 1.52 | 1.52 | 1.53 | 1.61 | 1.61 | 1.62 | 1.62 |
| | 5 | TC | 20612 | 20639 | 20663 | 20690 | 21850 | 21876 | 21902 | 21928 | 23156 | 23186 | 23216 | 23242 | 24552 | 24579 | 24609 | 24640 |
| | | S/T | 0.21 | 0.25 | 0.29 | 0.33 | 0.23 | 0.27 | 0.30 | 0.35 | 0.24 | 0.28 | 0.32 | 0.37 | 0.26 | 0.30 | 0.34 | 0.39 |
| | | PI | 1.37 | 1.37 | 1.37 | 1.38 | 1.45 | 1.45 | 1.46 | 1.46 | 1.54 | 1.54 | 1.54 | 1.54 | 1.63 | 1.63 | 1.64 | 1.64 |
| | 14 | TC | 20403 | 20430 | 20453 | 20481 | 21629 | 21655 | 21680 | 21706 | 22922 | 22951 | 22981 | 23007 | 24303 | 24330 | 24360 | 24390 |
| | | S/T | 0.22 | 0.25 | 0.29 | 0.33 | 0.23 | 0.27 | 0.30 | 0.35 | 0.24 | 0.28 | 0.32 | 0.37 | 0.26 | 0.30 | 0.34 | 0.39 |
| | | PI | 1.40 | 1.40 | 1.40 | 1.40 | 1.48 | 1.49 | 1.49 | 1.49 | 1.57 | 1.57 | 1.58 | 1.58 | 1.67 | 1.67 | 1.67 | 1.67 |
| | 17 | TC | 20333 | 20360 | 20383 | 20411 | 21555 | 21581 | 21606 | 21632 | 22843 | 22873 | 22903 | 22928 | 24220 | 24247 | 24277 | 24307 |
| | | S/T | 0.22 | 0.25 | 0.29 | 0.33 | 0.23 | 0.27 | 0.30 | 0.35 | 0.24 | 0.28 | 0.32 | 0.37 | 0.26 | 0.30 | 0.34 | 0.39 |
| | | PI | 1.41 | 1.41 | 1.41 | 1.41 | 1.49 | 1.50 | 1.50 | 1.50 | 1.58 | 1.59 | 1.59 | 1.59 | 1.68 | 1.68 | 1.68 | 1.68 |
| | 23 | TC | 20240 | 20268 | 20290 | 20318 | 21457 | 21482 | 21508 | 21533 | 22739 | 22769 | 22798 | 22824 | 24110 | 24136 | 24166 | 24196 |
| | | S/T | 0.22 | 0.25 | 0.29 | 0.33 | 0.23 | 0.27 | 0.31 | 0.35 | 0.24 | 0.29 | 0.32 | 0.37 | 0.26 | 0.30 | 0.34 | 0.39 |
| | | PI | 1.42 | 1.42 | 1.42 | 1.42 | 1.50 | 1.50 | 1.50 | 1.51 | 1.59 | 1.59 | 1.59 | 1.60 | 1.69 | 1.69 | 1.69 | 1.69 |
| | 32 | TC | 20101 | 20128 | 20151 | 20178 | 21309 | 21334 | 21360 | 21385 | 22583 | 22612 | 22641 | 22667 | 23944 | 23970 | 24000 | 24030 |
| | | S/T | 0.22 | 0.26 | 0.29 | 0.33 | 0.23 | 0.27 | 0.31 | 0.35 | 0.24 | 0.29 | 0.33 | 0.37 | 0.26 | 0.30 | 0.35 | 0.39 |
| | | PI | 1.43 | 1.43 | 1.43 | 1.43 | 1.51 | 1.51 | 1.51 | 1.52 | 1.60 | 1.60 | 1.61 | 1.61 | 1.70 | 1.70 | 1.70 | 1.70 |
| | 41 | TC | 19915 | 19942 | 19964 | 19991 | 21112 | 21137 | 21162 | 21187 | 22374 | 22403 | 22432 | 22457 | 23723 | 23748 | 23778 | 23808 |
| | | S/T | 0.22 | 0.26 | 0.29 | 0.33 | 0.23 | 0.27 | 0.31 | 0.35 | 0.25 | 0.29 | 0.33 | 0.37 | 0.26 | 0.31 | 0.35 | 0.40 |
| | | PI | 1.44 | 1.44 | 1.44 | 1.44 | 1.53 | 1.53 | 1.53 | 1.53 | 1.62 | 1.62 | 1.62 | 1.62 | 1.71 | 1.72 | 1.72 | 1.72 |
| | 47 | TC | 19776 | 19803 | 19825 | 19852 | 20965 | 20989 | 21014 | 21039 | 22217 | 22246 | 22275 | 22300 | 23557 | 23582 | 23612 | 23641 |
| | | S/T | 0.22 | 0.26 | 0.29 | 0.33 | 0.23 | 0.27 | 0.31 | 0.35 | 0.25 | 0.29 | 0.33 | 0.37 | 0.26 | 0.31 | 0.35 | 0.40 |
| | | PI | 1.45 | 1.45 | 1.45 | 1.45 | 1.54 | 1.54 | 1.54 | 1.54 | 1.63 | 1.63 | 1.63 | 1.63 | 1.73 | 1.73 | 1.73 | 1.73 |
| | 50 | TC | 19759 | 19786 | 19808 | 19835 | 20947 | 20972 | 20997 | 21021 | 22199 | 22227 | 22256 | 22281 | 23537 | 23562 | 23592 | 23621 |
| | | S/T | 0.22 | 0.26 | 0.29 | 0.33 | 0.23 | 0.27 | 0.31 | 0.35 | 0.25 | 0.29 | 0.33 | 0.38 | 0.26 | 0.31 | 0.35 | 0.40 |
| | | PI | 1.45 | 1.45 | 1.46 | 1.46 | 1.54 | 1.54 | 1.54 | 1.54 | 1.63 | 1.63 | 1.64 | 1.64 | 1.73 | 1.73 | 1.73 | 1.74 |
| | 59 | TC | 19709 | 19735 | 19757 | 19784 | 20893 | 20918 | 20943 | 20968 | 22142 | 22171 | 22200 | 22224 | 23477 | 23502 | 23531 | 23561 |
| | | S/T | 0.22 | 0.26 | 0.29 | 0.34 | 0.23 | 0.27 | 0.31 | 0.36 | 0.25 | 0.29 | 0.33 | 0.38 | 0.26 | 0.31 | 0.35 | 0.40 |
| | | PI | 1.46 | 1.46 | 1.47 | 1.47 | 1.55 | 1.55 | 1.55 | 1.56 | 1.64 | 1.65 | 1.65 | 1.65 | 1.74 | 1.74 | 1.75 | 1.75 |
| | 68 | TC | 19658 | 19685 | 19707 | 19734 | 20840 | 20865 | 20889 | 20914 | 22085 | 22114 | 22143 | 22167 | 23417 | 23442 | 23471 | 23501 |
| | | S/T | 0.22 | 0.26 | 0.30 | 0.34 | 0.24 | 0.28 | 0.31 | 0.36 | 0.25 | 0.29 | 0.33 | 0.38 | 0.26 | 0.31 | 0.35 | 0.40 |
| | | PI | 1.47 | 1.48 | 1.48 | 1.48 | 1.56 | 1.56 | 1.57 | 1.57 | 1.66 | 1.66 | 1.66 | 1.66 | 1.75 | 1.76 | 1.76 | 1.76 |
| | 77 | TC | 19608 | 19634 | 19656 | 19683 | 20786 | 20811 | 20836 | 20860 | 22029 | 22057 | 22086 | 22111 | 23357 | 23382 | 23411 | 23440 |
| | | S/T | 0.23 | 0.27 | 0.30 | 0.35 | 0.24 | 0.28 | 0.32 | 0.37 | 0.26 | 0.30 | 0.34 | 0.39 | 0.27 | 0.32 | 0.36 | 0.41 |
| | | PI | 1.48 | 1.49 | 1.49 | 1.49 | 1.57 | 1.57 | 1.58 | 1.58 | 1.67 | 1.67 | 1.67 | 1.67 | 1.77 | 1.77 | 1.77 | 1.77 |
| | 86 | TC | 16973 | 16996 | 17015 | 17038 | 17993 | 18015 | 18036 | 18057 | 19069 | 19093 | 19118 | 19140 | 20218 | 20240 | 20265 | 20291 |
| | | S/T | 0.23 | 0.27 | 0.31 | 0.35 | 0.24 | 0.29 | 0.33 | 0.37 | 0.26 | 0.30 | 0.35 | 0.39 | 0.27 | 0.32 | 0.37 | 0.42 |
| | | PI | 1.61 | 1.61 | 1.61 | 1.61 | 1.70 | 1.71 | 1.71 | 1.71 | 1.81 | 1.81 | 1.81 | 1.81 | 1.91 | 1.92 | 1.92 | 1.92 |
| | 95 | TC | 16326 | 16348 | 16367 | 16389 | 17308 | 17328 | 17349 | 17369 | 18342 | 18366 | 18390 | 18410 | 19448 | 19469 | 19493 | 19517 |
| | | S/T | 0.24 | 0.28 | 0.32 | 0.36 | 0.25 | 0.29 | 0.33 | 0.38 | 0.27 | 0.31 | 0.35 | 0.40 | 0.28 | 0.33 | 0.38 | 0.43 |
| | | PI | 1.64 | 1.65 | 1.65 | 1.65 | 1.74 | 1.74 | 1.75 | 1.75 | 1.85 | 1.85 | 1.85 | 1.85 | 1.96 | 1.96 | 1.96 | 1.97 |
| 104 | TC | 14130 | 14149 | 14165 | 14184 | 14980 | 14997 | 15015 | 15033 | 15875 | 15895 | 15916 | 15934 | 16832 | 16850 | 16871 | 16892 | |
| | S/T | 0.25 | 0.29 | 0.33 | 0.38 | 0.26 | 0.31 | 0.35 | 0.40 | 0.28 | 0.33 | 0.37 | 0.42 | 0.30 | 0.35 | 0.39 | 0.45 | |
| | PI | 3.54 | 3.54 | 3.55 | 3.55 | 3.75 | 3.76 | 3.76 | 3.76 | 3.98 | 3.98 | 3.99 | 3.99 | 4.21 | 4.22 | 4.22 | 4.23 | |
| 114.8 | TC | 11495 | 11510 | 11523 | 11539 | 12186 | 12200 | 12215 | 12229 | 12914 | 12931 | 12948 | 12962 | 13693 | 13707 | 13725 | 13742 | |
| | S/T | 0.25 | 0.29 | 0.34 | 0.38 | 0.27 | 0.31 | 0.36 | 0.41 | 0.28 | 0.33 | 0.38 | 0.43 | 0.30 | 0.35 | 0.40 | 0.46 | |
| | PI | 5.81 | 5.82 | 5.83 | 5.83 | 6.16 | 6.17 | 6.18 | 6.18 | 6.53 | 6.54 | 6.55 | 6.55 | 6.92 | 6.93 | 6.94 | 6.95 | |
| 122 | TC | 9738 | 9751 | 9762 | 9775 | 10323 | 10336 | 10348 | 10360 | 10940 | 10955 | 10969 | 10981 | 11600 | 11612 | 11627 | 11641 | |
| | S/T | 0.26 | 0.31 | 0.35 | 0.40 | 0.28 | 0.32 | 0.37 | 0.42 | 0.29 | 0.34 | 0.39 | 0.44 | 0.31 | 0.36 | 0.41 | 0.47 | |
| | PI | 7.33 | 7.34 | 7.34 | 7.35 | 7.77 | 7.78 | 7.79 | 7.79 | 8.23 | 8.24 | 8.25 | 8.26 | 8.73 | 8.74 | 8.75 | 8.76 | |

DUCTED PLUS NON-DUCTED COOLING PERFORMANCE 36R (Sheet 2 of 4)

| AIRFLOW (CFM) | OUTDOOR DB (°F) | ID WB (°F) ID DB (°F) | 60.8 | | | | 64.4 | | | | 66.2 | | | | 71.6 | | | |
|------------------|--------------------|--------------------------|-------|-------|-------|-------|-------|-------|-------|-------|-------|-------|-------|-------|-------|-------|-------|-------|
| | | | 73.4 | 77.0 | 80.6 | 84.2 | 73.4 | 77.0 | 80.6 | 84.2 | 73.4 | 77.0 | 80.0 | 84.20 | 73.4 | 77.0 | 80.6 | 84.2 |
| 854 | -22 | TC | 30443 | 30484 | 30518 | 30559 | 32273 | 32311 | 32349 | 32388 | 34201 | 34246 | 34290 | 34328 | 36263 | 36302 | 36348 | 36393 |
| | | S/T | 0.32 | 0.37 | 0.42 | 0.48 | 0.34 | 0.39 | 0.45 | 0.51 | 0.36 | 0.42 | 0.47 | 0.54 | 0.38 | 0.44 | 0.50 | 0.57 |
| | | PI | 1.92 | 1.92 | 1.92 | 1.92 | 2.03 | 2.03 | 2.04 | 2.04 | 2.15 | 2.16 | 2.16 | 2.16 | 2.28 | 2.28 | 2.29 | 2.29 |
| | -10 | TC | 30044 | 30084 | 30118 | 30158 | 31849 | 31887 | 31925 | 31963 | 33753 | 33796 | 33840 | 33878 | 35787 | 35826 | 35871 | 35916 |
| | | S/T | 0.32 | 0.37 | 0.43 | 0.48 | 0.34 | 0.40 | 0.45 | 0.51 | 0.36 | 0.42 | 0.48 | 0.54 | 0.38 | 0.45 | 0.51 | 0.58 |
| | | PI | 1.97 | 1.98 | 1.98 | 1.98 | 2.09 | 2.10 | 2.10 | 2.10 | 2.22 | 2.22 | 2.22 | 2.23 | 2.35 | 2.35 | 2.36 | 2.36 |
| | 0 | TC | 29711 | 29751 | 29784 | 29824 | 31497 | 31534 | 31571 | 31609 | 33379 | 33422 | 33466 | 33503 | 35391 | 35430 | 35474 | 35518 |
| | | S/T | 0.32 | 0.38 | 0.43 | 0.49 | 0.34 | 0.40 | 0.45 | 0.52 | 0.36 | 0.42 | 0.48 | 0.55 | 0.38 | 0.45 | 0.51 | 0.58 |
| | | PI | 2.02 | 2.03 | 2.03 | 2.03 | 2.14 | 2.15 | 2.15 | 2.15 | 2.27 | 2.28 | 2.28 | 2.28 | 2.41 | 2.41 | 2.42 | 2.42 |
| | 5 | TC | 29545 | 29584 | 29618 | 29657 | 31320 | 31357 | 31395 | 31432 | 33192 | 33235 | 33278 | 33315 | 35193 | 35231 | 35275 | 35319 |
| | | S/T | 0.32 | 0.38 | 0.43 | 0.49 | 0.34 | 0.40 | 0.45 | 0.52 | 0.36 | 0.42 | 0.48 | 0.55 | 0.38 | 0.45 | 0.51 | 0.58 |
| | | PI | 2.05 | 2.05 | 2.05 | 2.06 | 2.17 | 2.17 | 2.18 | 2.18 | 2.30 | 2.30 | 2.31 | 2.31 | 2.44 | 2.44 | 2.44 | 2.45 |
| | 14 | TC | 29245 | 29285 | 29317 | 29357 | 31003 | 31040 | 31076 | 31113 | 32856 | 32898 | 32941 | 32978 | 34836 | 34874 | 34917 | 34961 |
| | | S/T | 0.32 | 0.38 | 0.43 | 0.49 | 0.34 | 0.40 | 0.46 | 0.52 | 0.36 | 0.43 | 0.48 | 0.55 | 0.39 | 0.45 | 0.51 | 0.59 |
| | | PI | 2.09 | 2.09 | 2.10 | 2.10 | 2.22 | 2.22 | 2.22 | 2.23 | 2.35 | 2.35 | 2.36 | 2.36 | 2.49 | 2.49 | 2.50 | 2.50 |
| | 17 | TC | 29145 | 29185 | 29217 | 29257 | 30897 | 30934 | 30970 | 31007 | 32743 | 32786 | 32829 | 32865 | 34717 | 34755 | 34798 | 34842 |
| | | S/T | 0.32 | 0.38 | 0.43 | 0.49 | 0.34 | 0.40 | 0.46 | 0.52 | 0.36 | 0.43 | 0.49 | 0.55 | 0.39 | 0.45 | 0.51 | 0.59 |
| | | PI | 2.11 | 2.11 | 2.11 | 2.11 | 2.23 | 2.24 | 2.24 | 2.24 | 2.37 | 2.37 | 2.37 | 2.38 | 2.51 | 2.51 | 2.51 | 2.52 |
| | 23 | TC | 29012 | 29051 | 29084 | 29123 | 30756 | 30792 | 30829 | 30866 | 32594 | 32636 | 32679 | 32715 | 34559 | 34596 | 34639 | 34683 |
| | | S/T | 0.32 | 0.38 | 0.43 | 0.49 | 0.34 | 0.40 | 0.46 | 0.52 | 0.37 | 0.43 | 0.49 | 0.55 | 0.39 | 0.45 | 0.52 | 0.59 |
| | | PI | 2.12 | 2.12 | 2.12 | 2.12 | 2.24 | 2.25 | 2.25 | 2.25 | 2.38 | 2.38 | 2.38 | 2.39 | 2.52 | 2.52 | 2.53 | 2.53 |
| | 32 | TC | 28813 | 28851 | 28884 | 28923 | 30544 | 30581 | 30617 | 30653 | 32370 | 32412 | 32454 | 32490 | 34321 | 34358 | 34401 | 34444 |
| | | S/T | 0.33 | 0.38 | 0.44 | 0.50 | 0.35 | 0.41 | 0.46 | 0.53 | 0.37 | 0.43 | 0.49 | 0.56 | 0.39 | 0.46 | 0.52 | 0.59 |
| | | PI | 2.13 | 2.13 | 2.14 | 2.14 | 2.26 | 2.26 | 2.26 | 2.27 | 2.39 | 2.40 | 2.40 | 2.40 | 2.54 | 2.54 | 2.54 | 2.55 |
| | 41 | TC | 28547 | 28585 | 28617 | 28656 | 30262 | 30298 | 30334 | 30370 | 32071 | 32112 | 32154 | 32190 | 34004 | 34041 | 34083 | 34126 |
| | | S/T | 0.33 | 0.39 | 0.44 | 0.50 | 0.35 | 0.41 | 0.46 | 0.53 | 0.37 | 0.43 | 0.49 | 0.56 | 0.39 | 0.46 | 0.52 | 0.59 |
| | | PI | 2.15 | 2.15 | 2.16 | 2.16 | 2.28 | 2.28 | 2.28 | 2.29 | 2.42 | 2.42 | 2.42 | 2.42 | 2.56 | 2.56 | 2.57 | 2.57 |
| | 47 | TC | 28347 | 28385 | 28417 | 28455 | 30051 | 30086 | 30122 | 30158 | 31846 | 31888 | 31929 | 31965 | 33766 | 33803 | 33845 | 33887 |
| | | S/T | 0.33 | 0.39 | 0.44 | 0.50 | 0.35 | 0.41 | 0.46 | 0.53 | 0.37 | 0.43 | 0.49 | 0.56 | 0.39 | 0.46 | 0.52 | 0.60 |
| | | PI | 2.16 | 2.17 | 2.17 | 2.17 | 2.29 | 2.30 | 2.30 | 2.30 | 2.43 | 2.44 | 2.44 | 2.44 | 2.58 | 2.58 | 2.58 | 2.59 |
| | 50 | TC | 28323 | 28361 | 28393 | 28431 | 30025 | 30061 | 30096 | 30132 | 31819 | 31861 | 31902 | 31938 | 33737 | 33774 | 33816 | 33858 |
| | | S/T | 0.33 | 0.39 | 0.44 | 0.50 | 0.35 | 0.41 | 0.47 | 0.53 | 0.37 | 0.43 | 0.49 | 0.56 | 0.39 | 0.46 | 0.52 | 0.60 |
| | | PI | 2.17 | 2.17 | 2.18 | 2.18 | 2.30 | 2.30 | 2.31 | 2.31 | 2.44 | 2.44 | 2.44 | 2.45 | 2.58 | 2.59 | 2.59 | 2.59 |
| | 59 | TC | 28251 | 28289 | 28320 | 28358 | 29948 | 29984 | 30019 | 30055 | 31738 | 31779 | 31821 | 31856 | 33651 | 33688 | 33730 | 33772 |
| | | S/T | 0.33 | 0.39 | 0.44 | 0.50 | 0.35 | 0.41 | 0.47 | 0.53 | 0.37 | 0.44 | 0.50 | 0.57 | 0.39 | 0.46 | 0.53 | 0.60 |
| | | PI | 2.19 | 2.19 | 2.19 | 2.19 | 2.32 | 2.32 | 2.32 | 2.33 | 2.46 | 2.46 | 2.46 | 2.46 | 2.60 | 2.61 | 2.61 | 2.61 |
| | 68 | TC | 28178 | 28216 | 28248 | 28286 | 29872 | 29907 | 29943 | 29978 | 31657 | 31698 | 31739 | 31775 | 33565 | 33602 | 33644 | 33685 |
| | | S/T | 0.33 | 0.39 | 0.44 | 0.51 | 0.35 | 0.41 | 0.47 | 0.54 | 0.37 | 0.44 | 0.50 | 0.57 | 0.40 | 0.47 | 0.53 | 0.60 |
| | | PI | 2.20 | 2.20 | 2.21 | 2.21 | 2.33 | 2.34 | 2.34 | 2.34 | 2.47 | 2.48 | 2.48 | 2.48 | 2.62 | 2.63 | 2.63 | 2.63 |
| | 77 | TC | 28106 | 28144 | 28175 | 28213 | 29795 | 29830 | 29866 | 29901 | 31576 | 31617 | 31658 | 31693 | 33479 | 33516 | 33557 | 33599 |
| | | S/T | 0.34 | 0.40 | 0.46 | 0.52 | 0.36 | 0.43 | 0.48 | 0.55 | 0.38 | 0.45 | 0.51 | 0.58 | 0.41 | 0.48 | 0.54 | 0.62 |
| | | PI | 2.22 | 2.22 | 2.22 | 2.23 | 2.35 | 2.35 | 2.36 | 2.36 | 2.49 | 2.49 | 2.50 | 2.50 | 2.64 | 2.64 | 2.65 | 2.65 |
| | 86 | TC | 24329 | 24362 | 24389 | 24422 | 25792 | 25822 | 25853 | 25883 | 27333 | 27368 | 27404 | 27434 | 28980 | 29012 | 29048 | 29084 |
| | | S/T | 0.35 | 0.41 | 0.46 | 0.53 | 0.37 | 0.43 | 0.49 | 0.56 | 0.39 | 0.46 | 0.52 | 0.59 | 0.41 | 0.48 | 0.55 | 0.63 |
| | | PI | 2.40 | 2.41 | 2.41 | 2.41 | 2.55 | 2.55 | 2.55 | 2.56 | 2.70 | 2.70 | 2.71 | 2.71 | 2.86 | 2.86 | 2.87 | 2.87 |
| | 95 | TC | 23402 | 23434 | 23460 | 23492 | 24809 | 24838 | 24868 | 24897 | 26291 | 26325 | 26360 | 26389 | 27876 | 27906 | 27941 | 27976 |
| | | S/T | 0.36 | 0.42 | 0.47 | 0.54 | 0.38 | 0.44 | 0.50 | 0.57 | 0.40 | 0.47 | 0.53 | 0.61 | 0.42 | 0.50 | 0.56 | 0.64 |
| | | PI | 2.46 | 2.46 | 2.46 | 2.47 | 2.60 | 2.61 | 2.61 | 2.61 | 2.76 | 2.76 | 2.77 | 2.77 | 2.93 | 2.93 | 2.93 | 2.94 |
| 104 | TC | 20254 | 20282 | 20304 | 20332 | 21472 | 21497 | 21523 | 21548 | 22755 | 22784 | 22814 | 22839 | 24126 | 24153 | 24183 | 24213 | |
| | S/T | 0.37 | 0.44 | 0.50 | 0.57 | 0.40 | 0.46 | 0.53 | 0.60 | 0.42 | 0.49 | 0.56 | 0.64 | 0.44 | 0.52 | 0.59 | 0.68 | |
| | PI | 5.29 | 5.30 | 5.30 | 5.31 | 5.61 | 5.61 | 5.62 | 5.63 | 5.94 | 5.95 | 5.96 | 5.96 | 6.30 | 6.31 | 6.31 | 6.32 | |
| 114.8 | TC | 16477 | 16499 | 16518 | 16540 | 17467 | 17488 | 17509 | 17529 | 18511 | 18535 | 18559 | 18580 | 19627 | 19648 | 19673 | 19697 | |
| | S/T | 0.38 | 0.44 | 0.50 | 0.57 | 0.40 | 0.47 | 0.53 | 0.61 | 0.42 | 0.50 | 0.57 | 0.64 | 0.45 | 0.53 | 0.60 | 0.68 | |
| | PI | 8.69 | 8.70 | 8.71 | 8.72 | 9.21 | 9.22 | 9.23 | 9.24 | 9.76 | 9.77 | 9.78 | 9.79 | 10.35 | 10.36 | 10.37 | 10.38 | |
| 122 | TC | 13959 | 13977 | 13993 | 14012 | 14798 | 14815 | 14833 | 14850 | 15682 | 15702 | 15723 | 15740 | 16627 | 16645 | 16666 | 16687 | |
| | PI | 10.95 | 10.97 | 10.98 | 10.99 | 11.61 | 11.62 | 11.64 | 11.65 | 12.30 | 12.32 | 12.33 | 12.35 | 13.04 | 13.06 | 13.07 | 13.09 | |

DUCTED PLUS NON-DUCTED COOLING PERFORMANCE 36R (Sheet 3 of 4)

| AIRFLOW (CFM) | OUTDOOR DB (°F) | ID WB (°F) ID DB (°F) | 60.8 | | | | 64.4 | | | | 66.2 | | | | 71.6 | | | |
|------------------|--------------------|--------------------------|-------|-------|-------|-------|-------|-------|-------|-------|-------|-------|-------|-------|-------|-------|-------|-------|
| | | | 73.4 | 77.0 | 80.6 | 84.2 | 73.4 | 77.0 | 80.6 | 84.2 | 73.4 | 77.0 | 80.0 | 84.20 | 73.4 | 77.0 | 80.6 | 84.2 |
| 1280 | -22 | TC | 45733 | 45795 | 45846 | 45908 | 48482 | 48539 | 48597 | 48655 | 51379 | 51446 | 51513 | 51570 | 54476 | 54536 | 54603 | 54671 |
| | | S/T | 0.48 | 0.56 | 0.63 | 0.72 | 0.50 | 0.59 | 0.67 | 0.77 | 0.53 | 0.63 | 0.71 | 0.81 | 0.57 | 0.67 | 0.76 | 0.86 |
| | | PI | 2.88 | 2.88 | 2.89 | 2.89 | 3.05 | 3.06 | 3.06 | 3.06 | 3.23 | 3.24 | 3.24 | 3.25 | 3.43 | 3.43 | 3.44 | 3.44 |
| | -10 | TC | 45133 | 45194 | 45245 | 45306 | 47846 | 47903 | 47960 | 48016 | 50705 | 50771 | 50837 | 50894 | 53762 | 53820 | 53887 | 53954 |
| | | S/T | 0.48 | 0.56 | 0.64 | 0.73 | 0.51 | 0.60 | 0.68 | 0.77 | 0.54 | 0.63 | 0.72 | 0.82 | 0.57 | 0.67 | 0.76 | 0.87 |
| | | PI | 2.97 | 2.97 | 2.97 | 2.98 | 3.14 | 3.15 | 3.15 | 3.16 | 3.33 | 3.34 | 3.34 | 3.34 | 3.53 | 3.54 | 3.54 | 3.55 |
| | 0 | TC | 44634 | 44694 | 44744 | 44804 | 47316 | 47372 | 47428 | 47485 | 50144 | 50209 | 50274 | 50330 | 53167 | 53224 | 53291 | 53357 |
| | | S/T | 0.48 | 0.57 | 0.64 | 0.73 | 0.51 | 0.60 | 0.68 | 0.78 | 0.54 | 0.64 | 0.72 | 0.82 | 0.57 | 0.67 | 0.77 | 0.87 |
| | | PI | 3.04 | 3.04 | 3.05 | 3.05 | 3.22 | 3.23 | 3.23 | 3.23 | 3.41 | 3.42 | 3.42 | 3.43 | 3.62 | 3.62 | 3.63 | 3.63 |
| | 5 | TC | 44384 | 44443 | 44493 | 44553 | 47051 | 47107 | 47163 | 47219 | 49863 | 49928 | 49993 | 50048 | 52869 | 52926 | 52992 | 53058 |
| | | S/T | 0.48 | 0.57 | 0.64 | 0.73 | 0.51 | 0.60 | 0.68 | 0.78 | 0.54 | 0.64 | 0.72 | 0.83 | 0.58 | 0.68 | 0.77 | 0.88 |
| | | PI | 3.08 | 3.08 | 3.08 | 3.09 | 3.26 | 3.26 | 3.27 | 3.27 | 3.46 | 3.46 | 3.47 | 3.47 | 3.66 | 3.67 | 3.67 | 3.68 |
| | 14 | TC | 43934 | 43993 | 44042 | 44102 | 46574 | 46630 | 46685 | 46740 | 49358 | 49422 | 49486 | 49541 | 52333 | 52390 | 52455 | 52520 |
| | | S/T | 0.49 | 0.57 | 0.65 | 0.74 | 0.51 | 0.60 | 0.69 | 0.78 | 0.55 | 0.64 | 0.73 | 0.83 | 0.58 | 0.68 | 0.77 | 0.88 |
| | | PI | 3.14 | 3.15 | 3.15 | 3.15 | 3.33 | 3.33 | 3.34 | 3.34 | 3.53 | 3.53 | 3.54 | 3.54 | 3.74 | 3.75 | 3.75 | 3.76 |
| | 17 | TC | 43784 | 43843 | 43892 | 43951 | 46415 | 46470 | 46526 | 46581 | 49189 | 49253 | 49317 | 49372 | 52154 | 52211 | 52276 | 52341 |
| | | S/T | 0.49 | 0.57 | 0.65 | 0.74 | 0.52 | 0.61 | 0.69 | 0.78 | 0.55 | 0.64 | 0.73 | 0.83 | 0.58 | 0.68 | 0.77 | 0.88 |
| | | PI | 3.16 | 3.17 | 3.17 | 3.18 | 3.35 | 3.36 | 3.36 | 3.37 | 3.55 | 3.56 | 3.56 | 3.57 | 3.77 | 3.77 | 3.78 | 3.78 |
| | 23 | TC | 43584 | 43643 | 43692 | 43750 | 46204 | 46258 | 46313 | 46368 | 48964 | 49028 | 49092 | 49147 | 51916 | 51973 | 52037 | 52102 |
| | | S/T | 0.49 | 0.57 | 0.65 | 0.74 | 0.52 | 0.61 | 0.69 | 0.79 | 0.55 | 0.64 | 0.73 | 0.83 | 0.58 | 0.68 | 0.78 | 0.88 |
| | | PI | 3.18 | 3.18 | 3.19 | 3.19 | 3.37 | 3.37 | 3.38 | 3.38 | 3.57 | 3.58 | 3.58 | 3.58 | 3.79 | 3.79 | 3.80 | 3.80 |
| | 32 | TC | 43284 | 43342 | 43391 | 43449 | 45886 | 45940 | 45994 | 46049 | 48628 | 48691 | 48754 | 48808 | 51559 | 51615 | 51679 | 51744 |
| | | S/T | 0.49 | 0.58 | 0.65 | 0.75 | 0.52 | 0.61 | 0.69 | 0.79 | 0.55 | 0.65 | 0.74 | 0.84 | 0.58 | 0.69 | 0.78 | 0.89 |
| | | PI | 3.20 | 3.21 | 3.21 | 3.21 | 3.39 | 3.40 | 3.40 | 3.41 | 3.60 | 3.60 | 3.61 | 3.61 | 3.81 | 3.82 | 3.82 | 3.83 |
| | 41 | TC | 42884 | 42942 | 42990 | 43048 | 45462 | 45516 | 45570 | 45624 | 48178 | 48241 | 48304 | 48358 | 51083 | 51138 | 51202 | 51266 |
| | | S/T | 0.49 | 0.58 | 0.66 | 0.75 | 0.52 | 0.61 | 0.70 | 0.79 | 0.55 | 0.65 | 0.74 | 0.84 | 0.59 | 0.69 | 0.78 | 0.89 |
| | | PI | 3.23 | 3.23 | 3.24 | 3.24 | 3.42 | 3.43 | 3.43 | 3.44 | 3.63 | 3.63 | 3.64 | 3.64 | 3.85 | 3.85 | 3.86 | 3.86 |
| | 47 | TC | 42584 | 42642 | 42689 | 42747 | 45144 | 45197 | 45251 | 45305 | 47841 | 47904 | 47966 | 48019 | 50726 | 50781 | 50844 | 50907 |
| | | S/T | 0.49 | 0.58 | 0.66 | 0.75 | 0.52 | 0.61 | 0.70 | 0.80 | 0.56 | 0.65 | 0.74 | 0.84 | 0.59 | 0.69 | 0.78 | 0.89 |
| | | PI | 3.25 | 3.26 | 3.26 | 3.26 | 3.45 | 3.45 | 3.46 | 3.46 | 3.65 | 3.66 | 3.66 | 3.67 | 3.87 | 3.88 | 3.88 | 3.89 |
| | 50 | TC | 42548 | 42605 | 42653 | 42711 | 45105 | 45159 | 45212 | 45266 | 47801 | 47863 | 47925 | 47979 | 50682 | 50738 | 50801 | 50864 |
| | | S/T | 0.50 | 0.58 | 0.66 | 0.75 | 0.53 | 0.62 | 0.70 | 0.80 | 0.56 | 0.65 | 0.74 | 0.85 | 0.59 | 0.69 | 0.79 | 0.90 |
| | | PI | 3.26 | 3.26 | 3.27 | 3.27 | 3.46 | 3.46 | 3.46 | 3.47 | 3.66 | 3.67 | 3.67 | 3.68 | 3.88 | 3.89 | 3.89 | 3.90 |
| | 59 | TC | 42440 | 42497 | 42544 | 42602 | 44990 | 45044 | 45097 | 45151 | 47679 | 47741 | 47803 | 47856 | 50553 | 50608 | 50671 | 50734 |
| | | S/T | 0.50 | 0.58 | 0.66 | 0.76 | 0.53 | 0.62 | 0.70 | 0.80 | 0.56 | 0.66 | 0.75 | 0.85 | 0.59 | 0.70 | 0.79 | 0.90 |
| | | PI | 3.28 | 3.29 | 3.29 | 3.30 | 3.48 | 3.49 | 3.49 | 3.49 | 3.69 | 3.69 | 3.70 | 3.70 | 3.91 | 3.92 | 3.92 | 3.93 |
| | 68 | TC | 42331 | 42388 | 42435 | 42493 | 44875 | 44928 | 44982 | 45035 | 47557 | 47619 | 47681 | 47734 | 50424 | 50479 | 50541 | 50604 |
| | | S/T | 0.50 | 0.59 | 0.67 | 0.76 | 0.53 | 0.62 | 0.71 | 0.81 | 0.56 | 0.66 | 0.75 | 0.86 | 0.60 | 0.70 | 0.80 | 0.91 |
| | | PI | 3.31 | 3.31 | 3.32 | 3.32 | 3.51 | 3.51 | 3.51 | 3.52 | 3.72 | 3.72 | 3.73 | 3.73 | 3.94 | 3.94 | 3.95 | 3.95 |
| | 77 | TC | 42222 | 42279 | 42327 | 42384 | 44760 | 44813 | 44866 | 44919 | 47435 | 47496 | 47558 | 47611 | 50294 | 50349 | 50412 | 50475 |
| | | S/T | 0.51 | 0.60 | 0.69 | 0.78 | 0.54 | 0.64 | 0.73 | 0.83 | 0.58 | 0.68 | 0.77 | 0.88 | 0.61 | 0.72 | 0.82 | 0.93 |
| | | PI | 3.33 | 3.34 | 3.34 | 3.34 | 3.53 | 3.54 | 3.54 | 3.54 | 3.74 | 3.75 | 3.75 | 3.76 | 3.97 | 3.97 | 3.98 | 3.98 |
| | 86 | TC | 36549 | 36598 | 36639 | 36689 | 38746 | 38791 | 38837 | 38884 | 41061 | 41114 | 41168 | 41214 | 43536 | 43584 | 43638 | 43692 |
| | | S/T | 0.52 | 0.61 | 0.69 | 0.79 | 0.55 | 0.65 | 0.74 | 0.84 | 0.59 | 0.69 | 0.78 | 0.89 | 0.62 | 0.73 | 0.83 | 0.94 |
| | | PI | 3.61 | 3.61 | 3.62 | 3.62 | 3.83 | 3.83 | 3.84 | 3.84 | 4.05 | 4.06 | 4.07 | 4.07 | 4.30 | 4.30 | 4.31 | 4.31 |
| | 95 | TC | 35156 | 35203 | 35243 | 35290 | 37269 | 37313 | 37357 | 37402 | 39496 | 39547 | 39599 | 39643 | 41877 | 41923 | 41975 | 42027 |
| | | S/T | 0.53 | 0.63 | 0.71 | 0.81 | 0.57 | 0.66 | 0.75 | 0.86 | 0.60 | 0.70 | 0.80 | 0.91 | 0.64 | 0.75 | 0.85 | 0.97 |
| | | PI | 3.69 | 3.70 | 3.70 | 3.71 | 3.91 | 3.92 | 3.92 | 3.93 | 4.15 | 4.15 | 4.16 | 4.16 | 4.40 | 4.40 | 4.41 | 4.41 |
| | 104 | TC | 30427 | 30468 | 30502 | 30543 | 32256 | 32294 | 32332 | 32371 | 34183 | 34228 | 34272 | 34311 | 36244 | 36284 | 36329 | 36374 |
| | | S/T | 0.56 | 0.66 | 0.75 | 0.85 | 0.59 | 0.70 | 0.79 | 0.90 | 0.63 | 0.74 | 0.84 | 0.96 | 0.67 | 0.78 | 0.89 | 1.02 |
| | | PI | 7.94 | 7.96 | 7.96 | 7.97 | 8.42 | 8.43 | 8.44 | 8.45 | 8.93 | 8.94 | 8.95 | 8.96 | 9.46 | 9.47 | 9.49 | 9.50 |
| | 114.8 | TC | 24753 | 24786 | 24814 | 24847 | 26240 | 26271 | 26302 | 26334 | 27808 | 27844 | 27881 | 27912 | 29485 | 29517 | 29553 | 29590 |
| | | S/T | 0.57 | 0.67 | 0.76 | 0.86 | 0.60 | 0.71 | 0.80 | 0.91 | 0.64 | 0.75 | 0.85 | 0.97 | 0.68 | 0.79 | 0.90 | 1.03 |
| | | PI | 13.05 | 13.07 | 13.08 | 13.10 | 13.83 | 13.85 | 13.86 | 13.88 | 14.66 | 14.68 | 14.70 | 14.71 | 15.54 | 15.56 | 15.58 | 15.60 |
| | 122 | TC | 20969 | 20998 | 21021 | 21050 | 22230 | 22256 | 22282 | 22309 | 23558 | 23589 | 23619 | 23646 | 24978 | 25005 | 25037 | 25068 |
| | | S/T | 0.59 | 0.69 | 0.78 | 0.89 | 0.62 | 0.73 | 0.83 | 0.95 | 0.66 | 0.77 | 0.88 | 1.00 | 0.70 | 0.82 | 0.93 | 1.06 |
| | | PI | 16.45 | 16.47 | 16.49 | 16.51 | 17.44 | 17.46 | 17.48 | 17.50 | 18.48 | 18.51 | 18.53 | 18.55 | 19.60 | 19.62 | 19.64 | 19.67 |

DUCTED PLUS NON-DUCTED COOLING PERFORMANCE 36R (Sheet 4 of 4)

| AIRFLOW (CFM) | OUTDOOR DB (°F) | ID WB (°F) ID DB (°F) | 60.8 | | | | 64.4 | | | | 66.2 | | | | 71.6 | | | |
|---------------|-----------------|--------------------------|-------|-------|-------|-------|-------|-------|-------|-------|-------|-------|-------|-------|-------|-------|-------|-------|
| | | | 73.4 | 77.0 | 80.6 | 84.2 | 73.4 | 77.0 | 80.6 | 84.2 | 73.4 | 77.0 | 80.0 | 84.20 | 73.4 | 77.0 | 80.6 | 84.2 |
| 1400 | -22 | TC | 47780 | 47844 | 47898 | 47963 | 50652 | 50712 | 50772 | 50832 | 53679 | 53748 | 53818 | 53878 | 56915 | 56976 | 57047 | 57118 |
| | | S/T | 0.50 | 0.58 | 0.66 | 0.76 | 0.53 | 0.62 | 0.70 | 0.80 | 0.56 | 0.66 | 0.74 | 0.85 | 0.59 | 0.69 | 0.79 | 0.90 |
| | | PI | 3.01 | 3.01 | 3.01 | 3.02 | 3.19 | 3.19 | 3.20 | 3.20 | 3.38 | 3.38 | 3.39 | 3.39 | 3.58 | 3.59 | 3.59 | 3.60 |
| | -10 | TC | 47153 | 47217 | 47270 | 47334 | 49988 | 50047 | 50106 | 50166 | 52975 | 53043 | 53112 | 53172 | 56168 | 56229 | 56299 | 56369 |
| | | S/T | 0.50 | 0.59 | 0.67 | 0.76 | 0.53 | 0.62 | 0.71 | 0.81 | 0.56 | 0.66 | 0.75 | 0.85 | 0.60 | 0.70 | 0.79 | 0.91 |
| | | PI | 3.10 | 3.10 | 3.11 | 3.11 | 3.29 | 3.29 | 3.29 | 3.30 | 3.48 | 3.49 | 3.49 | 3.49 | 3.69 | 3.70 | 3.70 | 3.70 |
| | 0 | TC | 46631 | 46694 | 46746 | 46809 | 49434 | 49492 | 49551 | 49610 | 52388 | 52456 | 52524 | 52583 | 55546 | 55607 | 55676 | 55745 |
| | | S/T | 0.50 | 0.59 | 0.67 | 0.77 | 0.53 | 0.63 | 0.71 | 0.81 | 0.57 | 0.66 | 0.75 | 0.86 | 0.60 | 0.70 | 0.80 | 0.91 |
| | | PI | 3.18 | 3.18 | 3.18 | 3.19 | 3.37 | 3.37 | 3.37 | 3.38 | 3.57 | 3.57 | 3.58 | 3.58 | 3.78 | 3.79 | 3.79 | 3.80 |
| | 5 | TC | 46370 | 46433 | 46485 | 46547 | 49157 | 49215 | 49274 | 49332 | 52095 | 52162 | 52230 | 52288 | 55235 | 55295 | 55364 | 55433 |
| | | S/T | 0.50 | 0.59 | 0.67 | 0.77 | 0.54 | 0.63 | 0.71 | 0.81 | 0.57 | 0.67 | 0.76 | 0.86 | 0.60 | 0.71 | 0.80 | 0.91 |
| | | PI | 3.21 | 3.22 | 3.22 | 3.23 | 3.41 | 3.41 | 3.42 | 3.42 | 3.61 | 3.62 | 3.62 | 3.62 | 3.83 | 3.83 | 3.84 | 3.84 |
| | 14 | TC | 45900 | 45962 | 46014 | 46076 | 48659 | 48717 | 48774 | 48832 | 51567 | 51634 | 51701 | 51758 | 54675 | 54735 | 54803 | 54871 |
| | | S/T | 0.51 | 0.60 | 0.68 | 0.77 | 0.54 | 0.63 | 0.72 | 0.82 | 0.57 | 0.67 | 0.76 | 0.87 | 0.60 | 0.71 | 0.81 | 0.92 |
| | | PI | 3.28 | 3.29 | 3.29 | 3.30 | 3.48 | 3.48 | 3.49 | 3.49 | 3.69 | 3.69 | 3.70 | 3.70 | 3.91 | 3.91 | 3.92 | 3.92 |
| | 17 | TC | 45744 | 45805 | 45856 | 45918 | 48493 | 48550 | 48608 | 48666 | 51391 | 51457 | 51524 | 51582 | 54489 | 54548 | 54616 | 54684 |
| | | S/T | 0.51 | 0.60 | 0.68 | 0.77 | 0.54 | 0.63 | 0.72 | 0.82 | 0.57 | 0.67 | 0.76 | 0.87 | 0.61 | 0.71 | 0.81 | 0.92 |
| | | PI | 3.31 | 3.31 | 3.31 | 3.32 | 3.50 | 3.51 | 3.51 | 3.52 | 3.71 | 3.72 | 3.72 | 3.73 | 3.94 | 3.94 | 3.95 | 3.95 |
| | 23 | TC | 45535 | 45596 | 45647 | 45709 | 48271 | 48329 | 48386 | 48443 | 51156 | 51222 | 51289 | 51346 | 54240 | 54299 | 54366 | 54434 |
| | | S/T | 0.51 | 0.60 | 0.68 | 0.78 | 0.54 | 0.63 | 0.72 | 0.82 | 0.57 | 0.67 | 0.76 | 0.87 | 0.61 | 0.71 | 0.81 | 0.92 |
| | | PI | 3.32 | 3.33 | 3.33 | 3.33 | 3.52 | 3.52 | 3.53 | 3.53 | 3.73 | 3.74 | 3.74 | 3.74 | 3.96 | 3.96 | 3.97 | 3.97 |
| | 32 | TC | 45221 | 45282 | 45333 | 45394 | 47939 | 47996 | 48053 | 48110 | 50804 | 50870 | 50936 | 50993 | 53867 | 53925 | 53992 | 54060 |
| | | S/T | 0.51 | 0.60 | 0.68 | 0.78 | 0.54 | 0.64 | 0.72 | 0.83 | 0.58 | 0.68 | 0.77 | 0.88 | 0.61 | 0.72 | 0.81 | 0.93 |
| | | PI | 3.34 | 3.35 | 3.35 | 3.36 | 3.55 | 3.55 | 3.55 | 3.56 | 3.76 | 3.76 | 3.77 | 3.77 | 3.98 | 3.99 | 3.99 | 4.00 |
| | 41 | TC | 44804 | 44864 | 44914 | 44975 | 47496 | 47553 | 47609 | 47666 | 50335 | 50400 | 50466 | 50522 | 53369 | 53427 | 53494 | 53560 |
| | | S/T | 0.52 | 0.60 | 0.69 | 0.78 | 0.55 | 0.64 | 0.73 | 0.83 | 0.58 | 0.68 | 0.77 | 0.88 | 0.61 | 0.72 | 0.82 | 0.93 |
| | | PI | 3.37 | 3.38 | 3.38 | 3.39 | 3.58 | 3.58 | 3.59 | 3.59 | 3.79 | 3.80 | 3.80 | 3.81 | 4.02 | 4.02 | 4.03 | 4.03 |
| | 47 | TC | 44490 | 44550 | 44600 | 44660 | 47164 | 47220 | 47276 | 47332 | 49983 | 50048 | 50113 | 50169 | 52996 | 53053 | 53119 | 53186 |
| | | S/T | 0.52 | 0.61 | 0.69 | 0.78 | 0.55 | 0.64 | 0.73 | 0.83 | 0.58 | 0.68 | 0.77 | 0.88 | 0.61 | 0.72 | 0.82 | 0.93 |
| | | PI | 3.40 | 3.40 | 3.41 | 3.41 | 3.60 | 3.61 | 3.61 | 3.61 | 3.82 | 3.83 | 3.83 | 3.83 | 4.05 | 4.05 | 4.06 | 4.06 |
| | 50 | TC | 44452 | 44512 | 44562 | 44622 | 47124 | 47180 | 47236 | 47292 | 49940 | 50005 | 50070 | 50126 | 52951 | 53008 | 53074 | 53140 |
| | | S/T | 0.52 | 0.61 | 0.69 | 0.79 | 0.55 | 0.64 | 0.73 | 0.83 | 0.58 | 0.68 | 0.78 | 0.88 | 0.62 | 0.72 | 0.82 | 0.94 |
| | | PI | 3.41 | 3.41 | 3.41 | 3.42 | 3.61 | 3.61 | 3.62 | 3.62 | 3.83 | 3.83 | 3.84 | 3.84 | 4.06 | 4.06 | 4.07 | 4.07 |
| | 59 | TC | 44339 | 44399 | 44449 | 44508 | 47004 | 47060 | 47115 | 47171 | 49813 | 49877 | 49942 | 49998 | 52816 | 52873 | 52939 | 53005 |
| | | S/T | 0.52 | 0.61 | 0.69 | 0.79 | 0.55 | 0.65 | 0.74 | 0.84 | 0.58 | 0.69 | 0.78 | 0.89 | 0.62 | 0.73 | 0.83 | 0.94 |
| | | PI | 3.43 | 3.44 | 3.44 | 3.44 | 3.64 | 3.64 | 3.65 | 3.65 | 3.85 | 3.86 | 3.86 | 3.87 | 4.09 | 4.09 | 4.10 | 4.10 |
| 68 | TC | 44226 | 44285 | 44335 | 44395 | 46884 | 46939 | 46995 | 47051 | 49685 | 49750 | 49815 | 49870 | 52681 | 52738 | 52803 | 52869 | |
| | S/T | 0.52 | 0.61 | 0.70 | 0.79 | 0.55 | 0.65 | 0.74 | 0.84 | 0.59 | 0.69 | 0.78 | 0.89 | 0.62 | 0.73 | 0.83 | 0.95 | |
| | PI | 3.46 | 3.46 | 3.46 | 3.47 | 3.66 | 3.67 | 3.67 | 3.68 | 3.88 | 3.89 | 3.89 | 3.90 | 4.12 | 4.12 | 4.13 | 4.13 | |
| 77 | TC | 44112 | 44172 | 44221 | 44281 | 46763 | 46819 | 46874 | 46930 | 49558 | 49622 | 49687 | 49742 | 52545 | 52603 | 52668 | 52734 | |
| | S/T | 0.54 | 0.63 | 0.72 | 0.82 | 0.57 | 0.67 | 0.76 | 0.86 | 0.60 | 0.71 | 0.80 | 0.92 | 0.64 | 0.75 | 0.85 | 0.97 | |
| | PI | 3.48 | 3.49 | 3.49 | 3.49 | 3.69 | 3.69 | 3.70 | 3.70 | 3.91 | 3.92 | 3.92 | 3.93 | 4.15 | 4.15 | 4.16 | 4.16 | |
| 86 | TC | 38185 | 38236 | 38279 | 38331 | 40480 | 40528 | 40576 | 40624 | 42899 | 42954 | 43010 | 43058 | 45485 | 45534 | 45591 | 45648 | |
| | S/T | 0.54 | 0.64 | 0.72 | 0.83 | 0.58 | 0.68 | 0.77 | 0.88 | 0.61 | 0.72 | 0.81 | 0.93 | 0.65 | 0.76 | 0.86 | 0.98 | |
| | PI | 3.77 | 3.78 | 3.78 | 3.79 | 4.00 | 4.00 | 4.01 | 4.01 | 4.24 | 4.24 | 4.25 | 4.25 | 4.49 | 4.50 | 4.50 | 4.51 | |
| 95 | TC | 36730 | 36779 | 36820 | 36870 | 38937 | 38983 | 39029 | 39076 | 41264 | 41317 | 41371 | 41417 | 43751 | 43799 | 43853 | 43908 | |
| | S/T | 0.56 | 0.65 | 0.74 | 0.85 | 0.59 | 0.69 | 0.79 | 0.90 | 0.63 | 0.74 | 0.84 | 0.95 | 0.66 | 0.78 | 0.89 | 1.01 | |
| | PI | 3.86 | 3.86 | 3.87 | 3.87 | 4.09 | 4.09 | 4.10 | 4.10 | 4.33 | 4.34 | 4.34 | 4.35 | 4.59 | 4.60 | 4.60 | 4.61 | |
| 104 | TC | 31789 | 31832 | 31868 | 31910 | 33700 | 33740 | 33780 | 33820 | 35713 | 35760 | 35806 | 35846 | 37866 | 37908 | 37955 | 38002 | |
| | S/T | 0.59 | 0.69 | 0.78 | 0.89 | 0.62 | 0.73 | 0.83 | 0.94 | 0.66 | 0.77 | 0.88 | 1.00 | 0.70 | 0.82 | 0.93 | 1.06 | |
| | PI | 8.30 | 8.31 | 8.32 | 8.33 | 8.80 | 8.81 | 8.82 | 8.83 | 9.32 | 9.34 | 9.35 | 9.36 | 9.89 | 9.90 | 9.91 | 9.92 | |
| 114.8 | TC | 25860 | 25895 | 25924 | 25959 | 27415 | 27447 | 27480 | 27512 | 29053 | 29091 | 29128 | 29161 | 30804 | 30838 | 30876 | 30915 | |
| | S/T | 0.59 | 0.70 | 0.79 | 0.90 | 0.63 | 0.74 | 0.84 | 0.95 | 0.67 | 0.78 | 0.89 | 1.01 | 0.71 | 0.83 | 0.94 | 1.07 | |
| | PI | 13.63 | 13.65 | 13.67 | 13.68 | 14.45 | 14.47 | 14.49 | 14.50 | 15.31 | 15.33 | 15.35 | 15.37 | 16.24 | 16.26 | 16.28 | 16.30 | |
| 122 | TC | 21908 | 21937 | 21962 | 21992 | 23225 | 23252 | 23280 | 23307 | 24613 | 24644 | 24677 | 24704 | 26096 | 26125 | 26157 | 26190 | |
| | PI | 17.19 | 17.21 | 17.23 | 17.25 | 18.22 | 18.24 | 18.26 | 18.28 | 19.31 | 19.33 | 19.36 | 19.38 | 20.47 | 20.49 | 20.52 | 20.55 | |

NOTE: Data highlighted in gray is extrapolated data and not actual test data. At 77°F outdoor conditions sweat protection activates causing a decrease in total capacity.

LEGEND

- TC - Total Net Capacity (Btu/hour)
- S/T: Sensible Cooling Capacity Ratio
- PI: Power Input (kW)
- Extrapolated Data

COOLING PERFORMANCE DUCTED PLUS NON-DUCTED

COOLING PERFORMANCE 36HH (HIGH HEAT)

DUCTED PLUS NON-DUCTED COOLING PERFORMANCE 36HH (Sheet 1 of 4)

| AIRFLOW (CFM) | OUTDOOR DB (°F) | ID WB (°F) ID DB (°F) | 60.8 | | | | 64.4 | | | | 66.2 | | | | 71.6 | | | |
|------------------|--------------------|--------------------------|-------|-------|-------|-------|-------|-------|-------|-------|-------|-------|-------|-------|-------|-------|-------|-------|
| | | | 73.4 | 77.0 | 80.6 | 84.2 | 73.4 | 77.0 | 80.6 | 84.2 | 73.4 | 77.0 | 80.0 | 84.20 | 73.4 | 77.0 | 80.6 | 84.2 |
| 656 | -22 | TC | 21795 | 21825 | 21849 | 21879 | 23105 | 23133 | 23160 | 23188 | 24486 | 24518 | 24550 | 24577 | 25962 | 25990 | 26023 | 26055 |
| | | S/T | 0.21 | 0.25 | 0.28 | 0.32 | 0.22 | 0.26 | 0.30 | 0.34 | 0.24 | 0.28 | 0.32 | 0.36 | 0.25 | 0.29 | 0.33 | 0.38 |
| | | PI | 1.23 | 1.23 | 1.24 | 1.24 | 1.31 | 1.31 | 1.31 | 1.31 | 1.39 | 1.39 | 1.39 | 1.39 | 1.47 | 1.47 | 1.47 | 1.47 |
| | -10 | TC | 21517 | 21546 | 21570 | 21599 | 22810 | 22837 | 22864 | 22891 | 24173 | 24205 | 24236 | 24263 | 25630 | 25658 | 25690 | 25722 |
| | | S/T | 0.21 | 0.25 | 0.28 | 0.32 | 0.23 | 0.26 | 0.30 | 0.34 | 0.24 | 0.28 | 0.32 | 0.36 | 0.25 | 0.30 | 0.34 | 0.38 |
| | | PI | 1.31 | 1.31 | 1.31 | 1.32 | 1.39 | 1.39 | 1.39 | 1.40 | 1.47 | 1.48 | 1.48 | 1.48 | 1.56 | 1.56 | 1.57 | 1.57 |
| | 0 | TC | 21285 | 21313 | 21337 | 21366 | 22564 | 22591 | 22618 | 22644 | 23912 | 23943 | 23975 | 24001 | 25354 | 25382 | 25413 | 25445 |
| | | S/T | 0.21 | 0.25 | 0.28 | 0.32 | 0.23 | 0.27 | 0.30 | 0.34 | 0.24 | 0.28 | 0.32 | 0.36 | 0.25 | 0.30 | 0.34 | 0.39 |
| | | PI | 1.38 | 1.38 | 1.38 | 1.38 | 1.46 | 1.46 | 1.46 | 1.46 | 1.55 | 1.55 | 1.55 | 1.55 | 1.64 | 1.64 | 1.64 | 1.65 |
| | 5 | TC | 21169 | 21197 | 21221 | 21250 | 22441 | 22468 | 22494 | 22521 | 23782 | 23813 | 23844 | 23871 | 25216 | 25243 | 25275 | 25306 |
| | | S/T | 0.21 | 0.25 | 0.29 | 0.33 | 0.23 | 0.27 | 0.30 | 0.35 | 0.24 | 0.28 | 0.32 | 0.37 | 0.26 | 0.30 | 0.34 | 0.39 |
| | | PI | 1.41 | 1.41 | 1.41 | 1.41 | 1.49 | 1.50 | 1.50 | 1.50 | 1.58 | 1.59 | 1.59 | 1.59 | 1.68 | 1.68 | 1.68 | 1.68 |
| | 14 | TC | 20960 | 20988 | 21012 | 21040 | 22220 | 22246 | 22272 | 22299 | 23547 | 23578 | 23609 | 23635 | 24967 | 24994 | 25025 | 25056 |
| | | S/T | 0.22 | 0.25 | 0.29 | 0.33 | 0.23 | 0.27 | 0.30 | 0.35 | 0.24 | 0.28 | 0.32 | 0.37 | 0.26 | 0.30 | 0.34 | 0.39 |
| | | PI | 1.47 | 1.47 | 1.47 | 1.47 | 1.56 | 1.56 | 1.56 | 1.56 | 1.65 | 1.65 | 1.65 | 1.66 | 1.75 | 1.75 | 1.75 | 1.75 |
| | 17 | TC | 20890 | 20918 | 20942 | 20970 | 22146 | 22172 | 22198 | 22225 | 23469 | 23500 | 23530 | 23556 | 24884 | 24911 | 24942 | 24973 |
| | | S/T | 0.22 | 0.25 | 0.29 | 0.33 | 0.23 | 0.27 | 0.30 | 0.35 | 0.24 | 0.28 | 0.32 | 0.37 | 0.26 | 0.30 | 0.34 | 0.39 |
| | | PI | 1.49 | 1.49 | 1.49 | 1.49 | 1.58 | 1.58 | 1.58 | 1.58 | 1.67 | 1.67 | 1.67 | 1.68 | 1.77 | 1.77 | 1.78 | 1.78 |
| | 23 | TC | 20751 | 20779 | 20802 | 20830 | 21998 | 22024 | 22050 | 22076 | 23313 | 23343 | 23373 | 23399 | 24718 | 24745 | 24776 | 24807 |
| | | S/T | 0.22 | 0.25 | 0.29 | 0.33 | 0.23 | 0.27 | 0.31 | 0.35 | 0.24 | 0.29 | 0.32 | 0.37 | 0.26 | 0.30 | 0.34 | 0.39 |
| | | PI | 1.51 | 1.52 | 1.52 | 1.52 | 1.60 | 1.61 | 1.61 | 1.61 | 1.70 | 1.70 | 1.70 | 1.71 | 1.80 | 1.80 | 1.81 | 1.81 |
| | 32 | TC | 20542 | 20570 | 20593 | 20621 | 21777 | 21802 | 21828 | 21854 | 23078 | 23108 | 23138 | 23164 | 24469 | 24496 | 24526 | 24557 |
| | | S/T | 0.22 | 0.26 | 0.29 | 0.33 | 0.23 | 0.27 | 0.31 | 0.35 | 0.24 | 0.29 | 0.33 | 0.37 | 0.26 | 0.30 | 0.35 | 0.39 |
| | | PI | 1.55 | 1.55 | 1.56 | 1.56 | 1.65 | 1.65 | 1.65 | 1.65 | 1.74 | 1.75 | 1.75 | 1.75 | 1.85 | 1.85 | 1.85 | 1.86 |
| | 41 | TC | 20333 | 20360 | 20383 | 20411 | 21555 | 21581 | 21606 | 21632 | 22843 | 22873 | 22903 | 22928 | 24220 | 24247 | 24277 | 24307 |
| | | S/T | 0.22 | 0.26 | 0.29 | 0.33 | 0.23 | 0.27 | 0.31 | 0.35 | 0.25 | 0.29 | 0.33 | 0.37 | 0.26 | 0.31 | 0.35 | 0.40 |
| | | PI | 1.58 | 1.58 | 1.58 | 1.58 | 1.67 | 1.67 | 1.67 | 1.68 | 1.77 | 1.77 | 1.77 | 1.78 | 1.88 | 1.88 | 1.88 | 1.88 |
| | 47 | TC | 20194 | 20221 | 20244 | 20271 | 21408 | 21433 | 21458 | 21484 | 22687 | 22716 | 22746 | 22771 | 24054 | 24081 | 24111 | 24141 |
| | | S/T | 0.22 | 0.26 | 0.29 | 0.33 | 0.23 | 0.27 | 0.31 | 0.35 | 0.25 | 0.29 | 0.33 | 0.37 | 0.26 | 0.31 | 0.35 | 0.40 |
| | | PI | 1.59 | 1.59 | 1.59 | 1.59 | 1.68 | 1.68 | 1.68 | 1.69 | 1.78 | 1.78 | 1.79 | 1.79 | 1.89 | 1.89 | 1.89 | 1.90 |
| | 50 | TC | 20139 | 20166 | 20189 | 20216 | 21350 | 21375 | 21400 | 21426 | 22625 | 22655 | 22684 | 22710 | 23989 | 24015 | 24045 | 24075 |
| | | S/T | 0.22 | 0.26 | 0.29 | 0.33 | 0.23 | 0.27 | 0.31 | 0.35 | 0.25 | 0.29 | 0.33 | 0.38 | 0.26 | 0.31 | 0.35 | 0.40 |
| | | PI | 1.59 | 1.59 | 1.59 | 1.59 | 1.68 | 1.68 | 1.69 | 1.69 | 1.78 | 1.79 | 1.79 | 1.79 | 1.89 | 1.89 | 1.89 | 1.90 |
| | 59 | TC | 19975 | 20002 | 20024 | 20051 | 21176 | 21201 | 21226 | 21251 | 22441 | 22470 | 22499 | 22524 | 23794 | 23820 | 23849 | 23879 |
| | | S/T | 0.22 | 0.26 | 0.29 | 0.34 | 0.23 | 0.27 | 0.31 | 0.36 | 0.25 | 0.29 | 0.33 | 0.38 | 0.26 | 0.31 | 0.35 | 0.40 |
| | | PI | 1.59 | 1.59 | 1.60 | 1.60 | 1.69 | 1.69 | 1.69 | 1.69 | 1.79 | 1.79 | 1.79 | 1.80 | 1.90 | 1.90 | 1.90 | 1.90 |
| | 68 | TC | 19811 | 19837 | 19860 | 19886 | 21002 | 21026 | 21051 | 21076 | 22256 | 22285 | 22314 | 22339 | 23598 | 23624 | 23653 | 23683 |
| | | S/T | 0.22 | 0.26 | 0.30 | 0.34 | 0.24 | 0.28 | 0.31 | 0.36 | 0.25 | 0.29 | 0.33 | 0.38 | 0.26 | 0.31 | 0.35 | 0.40 |
| | | PI | 1.60 | 1.60 | 1.60 | 1.60 | 1.69 | 1.70 | 1.70 | 1.70 | 1.80 | 1.80 | 1.80 | 1.80 | 1.90 | 1.91 | 1.91 | 1.91 |
| | 77 | TC | 19647 | 19673 | 19695 | 19722 | 20827 | 20852 | 20877 | 20902 | 22072 | 22101 | 22129 | 22154 | 23403 | 23428 | 23457 | 23486 |
| | | S/T | 0.23 | 0.27 | 0.30 | 0.35 | 0.24 | 0.28 | 0.32 | 0.37 | 0.26 | 0.30 | 0.34 | 0.39 | 0.27 | 0.32 | 0.36 | 0.41 |
| | | PI | 1.60 | 1.61 | 1.61 | 1.61 | 1.70 | 1.70 | 1.70 | 1.71 | 1.80 | 1.80 | 1.81 | 1.81 | 1.91 | 1.91 | 1.91 | 1.92 |
| 86 | TC | 18378 | 18402 | 18423 | 18448 | 19482 | 19505 | 19528 | 19552 | 20646 | 20673 | 20700 | 20723 | 21891 | 21915 | 21942 | 21970 | |
| | S/T | 0.23 | 0.27 | 0.31 | 0.35 | 0.24 | 0.29 | 0.33 | 0.37 | 0.26 | 0.30 | 0.35 | 0.39 | 0.27 | 0.32 | 0.37 | 0.42 | |
| | PI | 1.76 | 1.76 | 1.76 | 1.77 | 1.87 | 1.87 | 1.87 | 1.87 | 1.98 | 1.98 | 1.98 | 1.98 | 2.10 | 2.10 | 2.10 | 2.10 | |
| 95 | TC | 17959 | 17983 | 18003 | 18027 | 19038 | 19061 | 19083 | 19106 | 20176 | 20202 | 20228 | 20251 | 21392 | 21415 | 21442 | 21469 | |
| | S/T | 0.24 | 0.28 | 0.32 | 0.36 | 0.25 | 0.29 | 0.33 | 0.38 | 0.27 | 0.31 | 0.35 | 0.40 | 0.28 | 0.33 | 0.38 | 0.43 | |
| | PI | 1.80 | 1.80 | 1.81 | 1.81 | 1.91 | 1.91 | 1.91 | 1.92 | 2.02 | 2.03 | 2.03 | 2.03 | 2.14 | 2.15 | 2.15 | 2.15 | |
| 104 | TC | 15874 | 15895 | 15913 | 15935 | 16828 | 16848 | 16868 | 16888 | 17834 | 17857 | 17880 | 17900 | 18909 | 18929 | 18953 | 18976 | |
| | S/T | 0.25 | 0.29 | 0.33 | 0.38 | 0.26 | 0.31 | 0.35 | 0.40 | 0.28 | 0.33 | 0.37 | 0.42 | 0.30 | 0.35 | 0.39 | 0.45 | |
| | PI | 4.01 | 4.02 | 4.02 | 4.03 | 4.26 | 4.26 | 4.27 | 4.27 | 4.51 | 4.52 | 4.52 | 4.53 | 4.78 | 4.79 | 4.79 | 4.80 | |
| 114.8 | TC | 13372 | 13390 | 13405 | 13423 | 14176 | 14193 | 14210 | 14227 | 15023 | 15043 | 15062 | 15079 | 15929 | 15946 | 15966 | 15986 | |
| | S/T | 0.25 | 0.29 | 0.34 | 0.38 | 0.27 | 0.31 | 0.36 | 0.41 | 0.28 | 0.33 | 0.38 | 0.43 | 0.30 | 0.35 | 0.40 | 0.46 | |
| | PI | 6.67 | 6.68 | 6.69 | 6.70 | 7.07 | 7.08 | 7.09 | 7.10 | 7.49 | 7.50 | 7.51 | 7.52 | 7.95 | 7.95 | 7.96 | 7.97 | |
| 122 | TC | 11705 | 11720 | 11734 | 11749 | 12408 | 12423 | 12438 | 12452 | 13150 | 13167 | 13184 | 13198 | 13942 | 13957 | 13975 | 13992 | |
| | S/T | 0.26 | 0.31 | 0.35 | 0.40 | 0.28 | 0.32 | 0.37 | 0.42 | 0.29 | 0.34 | 0.39 | 0.44 | 0.31 | 0.36 | 0.41 | 0.47 | |
| | PI | 8.44 | 8.45 | 8.46 | 8.47 | 8.95 | 8.96 | 8.97 | 8.98 | 9.48 | 9.48 | 9.50 | 9.51 | 9.52 | 10.06 | 10.07 | 10.08 | 10.09 |

DUCTED PLUS NON-DUCTED COOLING PERFORMANCE 36HH (Sheet 2 of 4)

| AIRFLOW (CFM) | OUTDOOR DB (°F) | ID WB (°F) ID DB (°F) | 60.8 | | | | 64.4 | | | | 66.2 | | | | 71.6 | | | |
|---------------|-----------------|--------------------------|-------|-------|-------|-------|-------|-------|-------|-------|-------|-------|-------|-------|-------|-------|-------|-------|
| | | | 73.4 | 77.0 | 80.6 | 84.2 | 73.4 | 77.0 | 80.6 | 84.2 | 73.4 | 77.0 | 80.0 | 84.20 | 73.4 | 77.0 | 80.6 | 84.2 |
| 854 | -22 | TC | 31241 | 31283 | 31319 | 31361 | 33119 | 33158 | 33198 | 33237 | 35098 | 35144 | 35190 | 35229 | 37214 | 37255 | 37301 | 37347 |
| | | S/T | 0.32 | 0.37 | 0.42 | 0.48 | 0.34 | 0.39 | 0.45 | 0.51 | 0.36 | 0.42 | 0.47 | 0.54 | 0.38 | 0.44 | 0.50 | 0.57 |
| | | PI | 1.84 | 1.85 | 1.85 | 1.85 | 1.95 | 1.96 | 1.96 | 1.96 | 2.07 | 2.07 | 2.08 | 2.08 | 2.20 | 2.20 | 2.20 | 2.20 |
| | -10 | TC | 30842 | 30884 | 30918 | 30960 | 32696 | 32735 | 32773 | 32812 | 34650 | 34695 | 34740 | 34779 | 36739 | 36778 | 36824 | 36870 |
| | | S/T | 0.32 | 0.37 | 0.43 | 0.48 | 0.34 | 0.40 | 0.45 | 0.51 | 0.36 | 0.42 | 0.48 | 0.54 | 0.38 | 0.45 | 0.51 | 0.58 |
| | | PI | 1.96 | 1.96 | 1.96 | 1.97 | 2.08 | 2.08 | 2.08 | 2.09 | 2.20 | 2.20 | 2.21 | 2.21 | 2.33 | 2.34 | 2.34 | 2.34 |
| | 0 | TC | 30509 | 30551 | 30585 | 30626 | 32343 | 32382 | 32420 | 32458 | 34276 | 34320 | 34365 | 34403 | 36342 | 36382 | 36427 | 36472 |
| | | S/T | 0.32 | 0.38 | 0.43 | 0.49 | 0.34 | 0.40 | 0.45 | 0.52 | 0.36 | 0.42 | 0.48 | 0.55 | 0.38 | 0.45 | 0.51 | 0.58 |
| | | PI | 2.06 | 2.06 | 2.06 | 2.07 | 2.18 | 2.18 | 2.19 | 2.19 | 2.31 | 2.31 | 2.32 | 2.32 | 2.45 | 2.45 | 2.46 | 2.46 |
| | 5 | TC | 30343 | 30384 | 30418 | 30459 | 32167 | 32205 | 32243 | 32281 | 34089 | 34133 | 34178 | 34216 | 36144 | 36183 | 36228 | 36273 |
| | | S/T | 0.32 | 0.38 | 0.43 | 0.49 | 0.34 | 0.40 | 0.45 | 0.52 | 0.36 | 0.42 | 0.48 | 0.55 | 0.38 | 0.45 | 0.51 | 0.58 |
| | | PI | 2.11 | 2.11 | 2.11 | 2.11 | 2.23 | 2.24 | 2.24 | 2.24 | 2.37 | 2.37 | 2.37 | 2.38 | 2.51 | 2.51 | 2.51 | 2.52 |
| | 14 | TC | 30044 | 30084 | 30118 | 30158 | 31849 | 31887 | 31925 | 31963 | 33753 | 33796 | 33840 | 33878 | 35787 | 35826 | 35871 | 35916 |
| | | S/T | 0.32 | 0.38 | 0.43 | 0.49 | 0.34 | 0.40 | 0.46 | 0.52 | 0.36 | 0.43 | 0.48 | 0.55 | 0.39 | 0.45 | 0.51 | 0.59 |
| | | PI | 2.19 | 2.20 | 2.20 | 2.20 | 2.33 | 2.33 | 2.33 | 2.33 | 2.46 | 2.47 | 2.47 | 2.47 | 2.61 | 2.62 | 2.62 | 2.62 |
| | 17 | TC | 29944 | 29984 | 30018 | 30058 | 31744 | 31781 | 31819 | 31857 | 33640 | 33684 | 33728 | 33766 | 35668 | 35707 | 35752 | 35796 |
| | | S/T | 0.32 | 0.38 | 0.43 | 0.49 | 0.34 | 0.40 | 0.46 | 0.52 | 0.36 | 0.43 | 0.49 | 0.55 | 0.39 | 0.45 | 0.51 | 0.59 |
| | | PI | 2.22 | 2.23 | 2.23 | 2.23 | 2.36 | 2.36 | 2.36 | 2.37 | 2.50 | 2.50 | 2.50 | 2.51 | 2.65 | 2.65 | 2.65 | 2.66 |
| | 23 | TC | 29744 | 29784 | 29818 | 29858 | 31532 | 31569 | 31607 | 31644 | 33416 | 33460 | 33503 | 33541 | 35431 | 35469 | 35513 | 35558 |
| | | S/T | 0.32 | 0.38 | 0.43 | 0.49 | 0.34 | 0.40 | 0.46 | 0.52 | 0.37 | 0.43 | 0.49 | 0.55 | 0.39 | 0.45 | 0.52 | 0.59 |
| | | PI | 2.26 | 2.27 | 2.27 | 2.27 | 2.40 | 2.40 | 2.40 | 2.41 | 2.54 | 2.54 | 2.55 | 2.55 | 2.69 | 2.70 | 2.70 | 2.70 |
| | 32 | TC | 29445 | 29484 | 29518 | 29557 | 31215 | 31252 | 31289 | 31326 | 33080 | 33123 | 33166 | 33203 | 35074 | 35112 | 35156 | 35200 |
| | | S/T | 0.33 | 0.38 | 0.44 | 0.50 | 0.35 | 0.41 | 0.46 | 0.53 | 0.37 | 0.43 | 0.49 | 0.56 | 0.39 | 0.46 | 0.52 | 0.59 |
| | | PI | 2.32 | 2.32 | 2.33 | 2.33 | 2.46 | 2.46 | 2.47 | 2.47 | 2.61 | 2.61 | 2.61 | 2.62 | 2.76 | 2.77 | 2.77 | 2.77 |
| | 41 | TC | 29145 | 29185 | 29217 | 29257 | 30897 | 30934 | 30970 | 31007 | 32743 | 32786 | 32829 | 32865 | 34717 | 34755 | 34798 | 34842 |
| | | S/T | 0.33 | 0.39 | 0.44 | 0.50 | 0.35 | 0.41 | 0.46 | 0.53 | 0.37 | 0.43 | 0.49 | 0.56 | 0.39 | 0.46 | 0.52 | 0.59 |
| | | PI | 2.35 | 2.36 | 2.36 | 2.36 | 2.50 | 2.50 | 2.50 | 2.51 | 2.65 | 2.65 | 2.65 | 2.66 | 2.81 | 2.81 | 2.81 | 2.82 |
| | 47 | TC | 28946 | 28985 | 29017 | 29056 | 30685 | 30722 | 30758 | 30795 | 32519 | 32561 | 32604 | 32640 | 34480 | 34517 | 34560 | 34603 |
| | | S/T | 0.33 | 0.39 | 0.44 | 0.50 | 0.35 | 0.41 | 0.46 | 0.53 | 0.37 | 0.43 | 0.49 | 0.56 | 0.39 | 0.46 | 0.52 | 0.60 |
| | | PI | 2.37 | 2.37 | 2.38 | 2.38 | 2.51 | 2.51 | 2.52 | 2.52 | 2.66 | 2.67 | 2.67 | 2.67 | 2.82 | 2.83 | 2.83 | 2.83 |
| | 50 | TC | 28867 | 28906 | 28939 | 28978 | 30602 | 30639 | 30675 | 30711 | 32431 | 32473 | 32515 | 32552 | 34386 | 34423 | 34466 | 34509 |
| | | S/T | 0.33 | 0.39 | 0.44 | 0.50 | 0.35 | 0.41 | 0.47 | 0.53 | 0.37 | 0.43 | 0.49 | 0.56 | 0.39 | 0.46 | 0.52 | 0.60 |
| | | PI | 2.37 | 2.38 | 2.38 | 2.38 | 2.51 | 2.52 | 2.52 | 2.52 | 2.67 | 2.67 | 2.67 | 2.67 | 2.83 | 2.83 | 2.83 | 2.84 |
| | 59 | TC | 28632 | 28671 | 28703 | 28741 | 30353 | 30389 | 30425 | 30461 | 32167 | 32208 | 32250 | 32286 | 34106 | 34143 | 34185 | 34228 |
| | | S/T | 0.33 | 0.39 | 0.44 | 0.50 | 0.35 | 0.41 | 0.47 | 0.53 | 0.37 | 0.44 | 0.50 | 0.57 | 0.39 | 0.46 | 0.53 | 0.60 |
| | | PI | 2.38 | 2.38 | 2.39 | 2.39 | 2.52 | 2.53 | 2.53 | 2.53 | 2.67 | 2.68 | 2.68 | 2.68 | 2.84 | 2.84 | 2.84 | 2.85 |
| | 68 | TC | 28397 | 28435 | 28467 | 28505 | 30103 | 30139 | 30175 | 30211 | 31902 | 31944 | 31985 | 32021 | 33826 | 33862 | 33904 | 33947 |
| | | S/T | 0.33 | 0.39 | 0.44 | 0.51 | 0.35 | 0.41 | 0.47 | 0.54 | 0.37 | 0.44 | 0.50 | 0.57 | 0.40 | 0.47 | 0.53 | 0.60 |
| | | PI | 2.39 | 2.39 | 2.39 | 2.40 | 2.53 | 2.53 | 2.54 | 2.54 | 2.68 | 2.69 | 2.69 | 2.69 | 2.84 | 2.85 | 2.85 | 2.85 |
| | 77 | TC | 28161 | 28199 | 28231 | 28269 | 29854 | 29889 | 29925 | 29960 | 31638 | 31679 | 31720 | 31756 | 33545 | 33582 | 33623 | 33665 |
| | | S/T | 0.34 | 0.40 | 0.46 | 0.52 | 0.36 | 0.43 | 0.48 | 0.55 | 0.38 | 0.45 | 0.51 | 0.58 | 0.41 | 0.48 | 0.54 | 0.62 |
| | | PI | 2.40 | 2.40 | 2.40 | 2.41 | 2.54 | 2.54 | 2.55 | 2.55 | 2.69 | 2.70 | 2.70 | 2.70 | 2.85 | 2.86 | 2.86 | 2.86 |
| | 86 | TC | 26343 | 26378 | 26408 | 26443 | 27926 | 27959 | 27992 | 28025 | 29595 | 29633 | 29672 | 29705 | 31379 | 31413 | 31452 | 31491 |
| | | S/T | 0.35 | 0.41 | 0.46 | 0.53 | 0.37 | 0.43 | 0.49 | 0.56 | 0.39 | 0.46 | 0.52 | 0.59 | 0.41 | 0.48 | 0.55 | 0.63 |
| | | PI | 2.63 | 2.63 | 2.64 | 2.64 | 2.79 | 2.79 | 2.80 | 2.80 | 2.96 | 2.96 | 2.96 | 2.97 | 3.13 | 3.14 | 3.14 | 3.15 |
| | 95 | TC | 25742 | 25776 | 25805 | 25840 | 27289 | 27321 | 27354 | 27386 | 28920 | 28957 | 28995 | 29027 | 30663 | 30696 | 30735 | 30773 |
| | | S/T | 0.36 | 0.42 | 0.47 | 0.54 | 0.38 | 0.44 | 0.50 | 0.57 | 0.40 | 0.47 | 0.53 | 0.61 | 0.42 | 0.50 | 0.56 | 0.64 |
| | | PI | 2.69 | 2.69 | 2.70 | 2.70 | 2.85 | 2.86 | 2.86 | 2.86 | 3.02 | 3.03 | 3.03 | 3.03 | 3.21 | 3.21 | 3.21 | 3.22 |
| | 104 | TC | 22754 | 22784 | 22810 | 22841 | 24121 | 24150 | 24178 | 24207 | 25563 | 25596 | 25629 | 25658 | 27104 | 27133 | 27167 | 27201 |
| | | S/T | 0.37 | 0.44 | 0.50 | 0.57 | 0.40 | 0.46 | 0.53 | 0.60 | 0.42 | 0.49 | 0.56 | 0.64 | 0.44 | 0.52 | 0.59 | 0.68 |
| | | PI | 6.00 | 6.01 | 6.01 | 6.02 | 6.36 | 6.37 | 6.38 | 6.38 | 6.74 | 6.75 | 6.76 | 6.77 | 7.15 | 7.15 | 7.16 | 7.17 |
| | 114.8 | TC | 19168 | 19194 | 19215 | 19241 | 20320 | 20344 | 20368 | 20392 | 21534 | 21562 | 21590 | 21614 | 22832 | 22857 | 22886 | 22914 |
| S/T | | 0.38 | 0.44 | 0.50 | 0.57 | 0.40 | 0.47 | 0.53 | 0.61 | 0.42 | 0.50 | 0.57 | 0.64 | 0.45 | 0.53 | 0.60 | 0.68 | |
| PI | | 9.97 | 9.98 | 9.99 | 10.01 | 10.57 | 10.58 | 10.59 | 10.61 | 11.20 | 11.22 | 11.23 | 11.24 | 11.88 | 11.89 | 11.90 | 11.92 | |
| 122 | TC | 16777 | 16800 | 16819 | 16841 | 17786 | 17807 | 17828 | 17849 | 18848 | 18873 | 18898 | 18919 | 19985 | 20006 | 20031 | 20056 | |
| | S/T | 0.39 | 0.46 | 0.52 | 0.59 | 0.41 | 0.49 | 0.55 | 0.63 | 0.44 | 0.52 | 0.59 | 0.67 | 0.47 | 0.55 | 0.62 | 0.71 | |
| | PI | 12.62 | 12.63 | 12.65 | 12.67 | 13.38 | 13.39 | 13.41 | 13.42 | 14.17 | 14.19 | 14.21 | 14.23 | 15.03 | 15.05 | 15.06 | 15.08 | |

DUCTED PLUS NON-DUCTED COOLING PERFORMANCE 36HH (Sheet 3 of 4)

| AIRFLOW (CFM) | OUTDOOR DB (°F) | ID WB (°F) ID DB (°F) | 60.8 | | | | 64.4 | | | | 66.2 | | | | 71.6 | | | |
|------------------|--------------------|--------------------------|-------|-------|-------|-------|-------|-------|-------|-------|-------|-------|-------|-------|-------|-------|-------|-------|
| | | | | | | 73.4 | 77.0 | 80.6 | 84.2 | 73.4 | 77.0 | 80.6 | 84.2 | 73.4 | 77.0 | 80.0 | 84.20 | 73.4 |
| 1280 | -22 | TC | 46933 | 46996 | 47049 | 47112 | 49754 | 49812 | 49872 | 49931 | 52727 | 52795 | 52864 | 52923 | 55905 | 55966 | 56036 | 56105 |
| | | S/T | 0.48 | 0.56 | 0.63 | 0.72 | 0.50 | 0.59 | 0.67 | 0.77 | 0.53 | 0.63 | 0.71 | 0.81 | 0.57 | 0.67 | 0.76 | 0.86 |
| | | PI | 2.77 | 2.77 | 2.78 | 2.78 | 2.94 | 2.94 | 2.94 | 2.95 | 3.11 | 3.11 | 3.12 | 3.12 | 3.30 | 3.30 | 3.31 | 3.31 |
| | -10 | TC | 46333 | 46395 | 46447 | 46510 | 49118 | 49176 | 49234 | 49293 | 52053 | 52120 | 52188 | 52246 | 55191 | 55251 | 55320 | 55388 |
| | | S/T | 0.48 | 0.56 | 0.64 | 0.73 | 0.51 | 0.60 | 0.68 | 0.77 | 0.54 | 0.63 | 0.72 | 0.82 | 0.57 | 0.67 | 0.76 | 0.87 |
| | | PI | 2.94 | 2.95 | 2.95 | 2.96 | 3.12 | 3.13 | 3.13 | 3.13 | 3.31 | 3.31 | 3.32 | 3.32 | 3.51 | 3.51 | 3.52 | 3.52 |
| | 0 | TC | 45833 | 45895 | 45946 | 46008 | 48588 | 48645 | 48703 | 48761 | 51491 | 51558 | 51625 | 51683 | 54595 | 54655 | 54723 | 54791 |
| | | S/T | 0.48 | 0.57 | 0.64 | 0.73 | 0.51 | 0.60 | 0.68 | 0.78 | 0.54 | 0.64 | 0.72 | 0.82 | 0.57 | 0.67 | 0.77 | 0.87 |
| | | PI | 3.09 | 3.10 | 3.10 | 3.10 | 3.28 | 3.28 | 3.28 | 3.29 | 3.47 | 3.48 | 3.48 | 3.49 | 3.68 | 3.69 | 3.69 | 3.69 |
| | 5 | TC | 45583 | 45645 | 45696 | 45757 | 48323 | 48380 | 48438 | 48495 | 51211 | 51277 | 51344 | 51401 | 54298 | 54357 | 54424 | 54492 |
| | | S/T | 0.48 | 0.57 | 0.64 | 0.73 | 0.51 | 0.60 | 0.68 | 0.78 | 0.54 | 0.64 | 0.72 | 0.83 | 0.58 | 0.68 | 0.77 | 0.88 |
| | | PI | 3.16 | 3.17 | 3.17 | 3.18 | 3.35 | 3.36 | 3.36 | 3.37 | 3.55 | 3.56 | 3.56 | 3.57 | 3.77 | 3.77 | 3.78 | 3.78 |
| | 14 | TC | 45133 | 45194 | 45245 | 45306 | 47846 | 47903 | 47960 | 48016 | 50705 | 50771 | 50837 | 50894 | 53762 | 53820 | 53887 | 53954 |
| | | S/T | 0.49 | 0.57 | 0.65 | 0.74 | 0.51 | 0.60 | 0.69 | 0.78 | 0.55 | 0.64 | 0.73 | 0.83 | 0.58 | 0.68 | 0.77 | 0.88 |
| | | PI | 3.30 | 3.30 | 3.30 | 3.31 | 3.49 | 3.50 | 3.50 | 3.51 | 3.70 | 3.71 | 3.71 | 3.72 | 3.93 | 3.93 | 3.94 | 3.94 |
| | 17 | TC | 44983 | 45044 | 45095 | 45155 | 47687 | 47744 | 47800 | 47857 | 50537 | 50602 | 50668 | 50725 | 53583 | 53642 | 53708 | 53775 |
| | | S/T | 0.49 | 0.57 | 0.65 | 0.74 | 0.52 | 0.61 | 0.69 | 0.78 | 0.55 | 0.64 | 0.73 | 0.83 | 0.58 | 0.68 | 0.77 | 0.88 |
| | | PI | 3.34 | 3.34 | 3.35 | 3.35 | 3.54 | 3.54 | 3.55 | 3.55 | 3.75 | 3.76 | 3.76 | 3.77 | 3.98 | 3.98 | 3.99 | 3.99 |
| | 23 | TC | 44684 | 44744 | 44794 | 44854 | 47369 | 47425 | 47482 | 47538 | 50200 | 50265 | 50330 | 50387 | 53226 | 53284 | 53350 | 53417 |
| | | S/T | 0.49 | 0.57 | 0.65 | 0.74 | 0.52 | 0.61 | 0.69 | 0.79 | 0.55 | 0.64 | 0.73 | 0.83 | 0.58 | 0.68 | 0.78 | 0.88 |
| | | PI | 3.40 | 3.40 | 3.41 | 3.41 | 3.60 | 3.61 | 3.61 | 3.62 | 3.82 | 3.82 | 3.83 | 3.83 | 4.05 | 4.05 | 4.06 | 4.06 |
| | 32 | TC | 44234 | 44293 | 44343 | 44403 | 46892 | 46948 | 47004 | 47059 | 49694 | 49759 | 49824 | 49879 | 52690 | 52748 | 52813 | 52879 |
| | | S/T | 0.49 | 0.58 | 0.65 | 0.75 | 0.52 | 0.61 | 0.69 | 0.79 | 0.55 | 0.65 | 0.74 | 0.84 | 0.58 | 0.69 | 0.78 | 0.89 |
| | | PI | 3.49 | 3.49 | 3.50 | 3.50 | 3.70 | 3.70 | 3.70 | 3.71 | 3.92 | 3.92 | 3.93 | 3.93 | 4.15 | 4.16 | 4.16 | 4.17 |
| | 41 | TC | 43784 | 43843 | 43892 | 43951 | 46415 | 46470 | 46526 | 46581 | 49189 | 49253 | 49317 | 49372 | 52154 | 52211 | 52276 | 52341 |
| | | S/T | 0.49 | 0.58 | 0.66 | 0.75 | 0.52 | 0.61 | 0.70 | 0.79 | 0.55 | 0.65 | 0.74 | 0.84 | 0.59 | 0.69 | 0.78 | 0.89 |
| | | PI | 3.54 | 3.54 | 3.55 | 3.55 | 3.75 | 3.75 | 3.76 | 3.76 | 3.97 | 3.98 | 3.98 | 3.99 | 4.21 | 4.22 | 4.22 | 4.23 |
| | 47 | TC | 43484 | 43543 | 43591 | 43650 | 46098 | 46152 | 46207 | 46262 | 48852 | 48916 | 48979 | 49034 | 51797 | 51854 | 51918 | 51983 |
| | | S/T | 0.49 | 0.58 | 0.66 | 0.75 | 0.52 | 0.61 | 0.70 | 0.80 | 0.56 | 0.65 | 0.74 | 0.84 | 0.59 | 0.69 | 0.78 | 0.89 |
| | | PI | 3.56 | 3.56 | 3.57 | 3.57 | 3.77 | 3.78 | 3.78 | 3.79 | 4.00 | 4.00 | 4.01 | 4.01 | 4.24 | 4.24 | 4.25 | 4.26 |
| | 50 | TC | 43366 | 43425 | 43473 | 43532 | 45973 | 46027 | 46082 | 46136 | 48720 | 48783 | 48847 | 48911 | 51657 | 51713 | 51777 | 51842 |
| | | S/T | 0.50 | 0.58 | 0.66 | 0.75 | 0.53 | 0.62 | 0.70 | 0.80 | 0.56 | 0.65 | 0.74 | 0.85 | 0.59 | 0.69 | 0.79 | 0.90 |
| | | PI | 3.56 | 3.57 | 3.57 | 3.58 | 3.78 | 3.78 | 3.79 | 3.79 | 4.00 | 4.01 | 4.01 | 4.02 | 4.24 | 4.25 | 4.25 | 4.26 |
| | 59 | TC | 43013 | 43071 | 43119 | 43177 | 45598 | 45652 | 45706 | 45760 | 48323 | 48385 | 48448 | 48502 | 51236 | 51291 | 51355 | 51419 |
| | | S/T | 0.50 | 0.58 | 0.66 | 0.76 | 0.53 | 0.62 | 0.70 | 0.80 | 0.56 | 0.66 | 0.75 | 0.85 | 0.59 | 0.70 | 0.79 | 0.90 |
| | | PI | 3.58 | 3.58 | 3.58 | 3.59 | 3.79 | 3.79 | 3.80 | 3.80 | 4.02 | 4.02 | 4.03 | 4.03 | 4.26 | 4.26 | 4.27 | 4.27 |
| | 68 | TC | 42659 | 42717 | 42764 | 42822 | 45223 | 45277 | 45330 | 45384 | 47926 | 47988 | 48050 | 48104 | 50815 | 50870 | 50933 | 50997 |
| | | S/T | 0.50 | 0.59 | 0.67 | 0.76 | 0.53 | 0.62 | 0.71 | 0.81 | 0.56 | 0.66 | 0.75 | 0.86 | 0.60 | 0.70 | 0.80 | 0.91 |
| | | PI | 3.59 | 3.59 | 3.60 | 3.60 | 3.80 | 3.81 | 3.81 | 3.82 | 4.03 | 4.04 | 4.04 | 4.05 | 4.27 | 4.28 | 4.28 | 4.29 |
| | 77 | TC | 42306 | 42363 | 42410 | 42467 | 44848 | 44902 | 44955 | 45008 | 47528 | 47590 | 47652 | 47705 | 50394 | 50448 | 50511 | 50574 |
| | | S/T | 0.51 | 0.60 | 0.69 | 0.78 | 0.54 | 0.64 | 0.73 | 0.83 | 0.58 | 0.68 | 0.77 | 0.88 | 0.61 | 0.72 | 0.82 | 0.93 |
| | | PI | 3.60 | 3.60 | 3.61 | 3.61 | 3.82 | 3.82 | 3.82 | 3.83 | 4.04 | 4.05 | 4.05 | 4.06 | 4.29 | 4.29 | 4.30 | 4.30 |
| 86 | TC | 39573 | 39626 | 39671 | 39724 | 41952 | 42001 | 42051 | 42101 | 44459 | 44516 | 44574 | 44624 | 47139 | 47190 | 47249 | 47308 | |
| | S/T | 0.52 | 0.61 | 0.69 | 0.79 | 0.55 | 0.65 | 0.74 | 0.84 | 0.59 | 0.69 | 0.78 | 0.89 | 0.62 | 0.73 | 0.83 | 0.94 | |
| | PI | 3.95 | 3.96 | 3.96 | 3.97 | 4.19 | 4.19 | 4.20 | 4.20 | 4.44 | 4.45 | 4.45 | 4.46 | 4.71 | 4.71 | 4.72 | 4.72 | |
| 95 | TC | 38671 | 38723 | 38766 | 38819 | 40995 | 41044 | 41092 | 41141 | 43445 | 43501 | 43558 | 43606 | 46064 | 46114 | 46171 | 46229 | |
| | S/T | 0.53 | 0.63 | 0.71 | 0.81 | 0.57 | 0.66 | 0.75 | 0.86 | 0.60 | 0.70 | 0.80 | 0.91 | 0.64 | 0.75 | 0.85 | 0.97 | |
| | PI | 4.04 | 4.05 | 4.05 | 4.06 | 4.29 | 4.29 | 4.30 | 4.30 | 4.54 | 4.55 | 4.56 | 4.56 | 4.82 | 4.82 | 4.83 | 4.83 | |
| 104 | TC | 34182 | 34228 | 34266 | 34312 | 36236 | 36279 | 36322 | 36365 | 38402 | 38451 | 38501 | 38544 | 40717 | 40761 | 40812 | 40862 | |
| | S/T | 0.56 | 0.66 | 0.75 | 0.85 | 0.59 | 0.70 | 0.79 | 0.90 | 0.63 | 0.74 | 0.84 | 0.96 | 0.67 | 0.78 | 0.89 | 1.02 | |
| | PI | 9.01 | 9.03 | 9.04 | 9.05 | 9.56 | 9.57 | 9.58 | 9.59 | 10.13 | 10.14 | 10.15 | 10.16 | 10.74 | 10.75 | 10.76 | 10.78 | |
| 114.8 | TC | 28795 | 28834 | 28866 | 28905 | 30526 | 30562 | 30598 | 30634 | 32350 | 32392 | 32434 | 32470 | 34300 | 34337 | 34380 | 34423 | |
| | S/T | 0.57 | 0.67 | 0.76 | 0.86 | 0.60 | 0.71 | 0.80 | 0.91 | 0.64 | 0.75 | 0.85 | 0.97 | 0.68 | 0.79 | 0.90 | 1.03 | |
| | PI | 14.98 | 15.00 | 15.01 | 15.04 | 15.88 | 15.90 | 15.92 | 15.93 | 16.83 | 16.85 | 16.87 | 16.89 | 17.84 | 17.86 | 17.88 | 17.91 | |
| 122 | TC | 25204 | 25238 | 25266 | 25300 | 26719 | 26750 | 26782 | 26814 | 28315 | 28352 | 28389 | 28421 | 30022 | 30055 | 30092 | 30130 | |
| | S/T | 0.59 | 0.69 | 0.78 | 0.89 | 0.62 | 0.73 | 0.83 | 0.95 | 0.66 | 0.77 | 0.88 | 1.00 | 0.70 | 0.82 | 0.93 | 1.06 | |
| | | PI | 18.95 | 18.98 | 19.00 | 19.03 | 20.09 | 20.12 | 20.14 | 20.16 | 21.29 | 21.32 | 21.35 | 21.37 | 22.58 | 22.60 | 22.63 | 22.66 |

DUCTED PLUS NON-DUCTED COOLING PERFORMANCE 36HH (Sheet 4 of 4)

| AIRFLOW (CFM) | OUTDOOR DB (°F) | ID WB (°F) ID DB (°F) | 60.8 | | | | 64.4 | | | | 66.2 | | | | 71.6 | | | |
|---------------|-----------------|--------------------------|-------|-------|-------|-------|-------|-------|-------|-------|-------|-------|-------|-------|-------|-------|-------|-------|
| | | | 73.4 | 77.0 | 80.6 | 84.2 | 73.4 | 77.0 | 80.6 | 84.2 | 73.4 | 77.0 | 80.0 | 84.20 | 73.4 | 77.0 | 80.6 | 84.2 |
| 1400 | -22 | TC | 49033 | 49099 | 49154 | 49221 | 51980 | 52042 | 52104 | 52165 | 55087 | 55158 | 55230 | 55292 | 58407 | 58471 | 58544 | 58617 |
| | | S/T | 0.50 | 0.58 | 0.66 | 0.76 | 0.53 | 0.62 | 0.70 | 0.80 | 0.56 | 0.66 | 0.74 | 0.85 | 0.59 | 0.69 | 0.79 | 0.90 |
| | | PI | 2.89 | 2.90 | 2.90 | 2.90 | 3.07 | 3.07 | 3.07 | 3.08 | 3.25 | 3.25 | 3.26 | 3.26 | 3.45 | 3.45 | 3.45 | 3.46 |
| | -10 | TC | 48407 | 48472 | 48526 | 48592 | 51316 | 51377 | 51438 | 51499 | 54383 | 54453 | 54524 | 54585 | 57661 | 57724 | 57795 | 57867 |
| | | S/T | 0.50 | 0.59 | 0.67 | 0.76 | 0.53 | 0.62 | 0.71 | 0.81 | 0.56 | 0.66 | 0.75 | 0.85 | 0.60 | 0.70 | 0.79 | 0.91 |
| | | PI | 3.08 | 3.08 | 3.08 | 3.09 | 3.26 | 3.26 | 3.27 | 3.27 | 3.46 | 3.46 | 3.46 | 3.47 | 3.66 | 3.67 | 3.67 | 3.68 |
| | 0 | TC | 47885 | 47949 | 48003 | 48067 | 50763 | 50823 | 50883 | 50943 | 53796 | 53866 | 53936 | 53996 | 57039 | 57101 | 57172 | 57243 |
| | | S/T | 0.50 | 0.59 | 0.67 | 0.77 | 0.53 | 0.63 | 0.71 | 0.81 | 0.57 | 0.66 | 0.75 | 0.86 | 0.60 | 0.70 | 0.80 | 0.91 |
| | | PI | 3.23 | 3.23 | 3.24 | 3.24 | 3.42 | 3.43 | 3.43 | 3.44 | 3.63 | 3.63 | 3.64 | 3.64 | 3.85 | 3.85 | 3.86 | 3.86 |
| | 5 | TC | 47623 | 47687 | 47741 | 47805 | 50486 | 50546 | 50605 | 50666 | 53503 | 53572 | 53642 | 53702 | 56728 | 56790 | 56860 | 56931 |
| | | S/T | 0.50 | 0.59 | 0.67 | 0.77 | 0.54 | 0.63 | 0.71 | 0.81 | 0.57 | 0.67 | 0.76 | 0.86 | 0.60 | 0.71 | 0.80 | 0.91 |
| | | PI | 3.31 | 3.31 | 3.31 | 3.32 | 3.50 | 3.51 | 3.51 | 3.52 | 3.71 | 3.72 | 3.72 | 3.73 | 3.94 | 3.94 | 3.95 | 3.95 |
| | 14 | TC | 47153 | 47217 | 47270 | 47334 | 49988 | 50047 | 50106 | 50166 | 52975 | 53043 | 53112 | 53172 | 56168 | 56229 | 56299 | 56369 |
| | | S/T | 0.51 | 0.60 | 0.68 | 0.77 | 0.54 | 0.63 | 0.72 | 0.82 | 0.57 | 0.67 | 0.76 | 0.87 | 0.60 | 0.71 | 0.81 | 0.92 |
| | | PI | 3.44 | 3.45 | 3.45 | 3.46 | 3.65 | 3.65 | 3.66 | 3.66 | 3.87 | 3.87 | 3.88 | 3.88 | 4.10 | 4.11 | 4.11 | 4.12 |
| | 17 | TC | 46997 | 47060 | 47113 | 47176 | 49821 | 49880 | 49940 | 49999 | 52799 | 52867 | 52936 | 52995 | 55982 | 56042 | 56112 | 56182 |
| | | S/T | 0.51 | 0.60 | 0.68 | 0.77 | 0.54 | 0.63 | 0.72 | 0.82 | 0.57 | 0.67 | 0.76 | 0.87 | 0.61 | 0.71 | 0.81 | 0.92 |
| | | PI | 3.49 | 3.49 | 3.50 | 3.50 | 3.70 | 3.70 | 3.71 | 3.71 | 3.92 | 3.93 | 3.93 | 3.93 | 4.16 | 4.16 | 4.17 | 4.17 |
| | 23 | TC | 46683 | 46746 | 46799 | 46862 | 49489 | 49548 | 49607 | 49666 | 52447 | 52515 | 52583 | 52642 | 55608 | 55669 | 55738 | 55807 |
| | | S/T | 0.51 | 0.60 | 0.68 | 0.78 | 0.54 | 0.63 | 0.72 | 0.82 | 0.57 | 0.67 | 0.76 | 0.87 | 0.61 | 0.71 | 0.81 | 0.92 |
| | | PI | 3.55 | 3.56 | 3.56 | 3.56 | 3.76 | 3.77 | 3.77 | 3.78 | 3.99 | 3.99 | 4.00 | 4.00 | 4.23 | 4.23 | 4.24 | 4.24 |
| | 32 | TC | 46214 | 46276 | 46328 | 46390 | 48991 | 49049 | 49107 | 49166 | 51919 | 51986 | 52054 | 52112 | 55049 | 55108 | 55177 | 55246 |
| | | S/T | 0.51 | 0.60 | 0.68 | 0.78 | 0.54 | 0.64 | 0.72 | 0.83 | 0.58 | 0.68 | 0.77 | 0.88 | 0.61 | 0.72 | 0.81 | 0.93 |
| | | PI | 3.64 | 3.65 | 3.65 | 3.66 | 3.86 | 3.87 | 3.87 | 3.88 | 4.09 | 4.10 | 4.10 | 4.11 | 4.34 | 4.34 | 4.35 | 4.35 |
| | 41 | TC | 45744 | 45805 | 45856 | 45918 | 48493 | 48550 | 48608 | 48666 | 51391 | 51457 | 51524 | 51582 | 54489 | 54548 | 54616 | 54684 |
| | | S/T | 0.52 | 0.60 | 0.69 | 0.78 | 0.55 | 0.64 | 0.73 | 0.83 | 0.58 | 0.68 | 0.77 | 0.88 | 0.61 | 0.72 | 0.82 | 0.93 |
| | | PI | 3.70 | 3.70 | 3.71 | 3.71 | 3.92 | 3.92 | 3.93 | 3.93 | 4.15 | 4.16 | 4.16 | 4.17 | 4.40 | 4.41 | 4.41 | 4.42 |
| | 47 | TC | 45430 | 45491 | 45542 | 45604 | 48161 | 48218 | 48275 | 48332 | 51039 | 51105 | 51171 | 51229 | 54116 | 54174 | 54242 | 54309 |
| | | S/T | 0.52 | 0.61 | 0.69 | 0.78 | 0.55 | 0.64 | 0.73 | 0.83 | 0.58 | 0.68 | 0.77 | 0.88 | 0.61 | 0.72 | 0.82 | 0.93 |
| | | PI | 3.72 | 3.72 | 3.73 | 3.73 | 3.94 | 3.95 | 3.95 | 3.96 | 4.18 | 4.18 | 4.19 | 4.19 | 4.43 | 4.43 | 4.44 | 4.45 |
| | 50 | TC | 45307 | 45368 | 45419 | 45480 | 48030 | 48087 | 48144 | 48201 | 50900 | 50966 | 51033 | 51090 | 53969 | 54028 | 54095 | 54162 |
| | | S/T | 0.52 | 0.61 | 0.69 | 0.79 | 0.55 | 0.64 | 0.73 | 0.83 | 0.58 | 0.68 | 0.78 | 0.88 | 0.62 | 0.72 | 0.82 | 0.94 |
| | | PI | 3.72 | 3.73 | 3.73 | 3.74 | 3.95 | 3.95 | 3.96 | 3.96 | 4.18 | 4.19 | 4.19 | 4.20 | 4.43 | 4.44 | 4.45 | 4.45 |
| | 59 | TC | 44938 | 44998 | 45049 | 45109 | 47639 | 47695 | 47752 | 47808 | 50485 | 50551 | 50617 | 50673 | 53529 | 53587 | 53654 | 53721 |
| | | S/T | 0.52 | 0.61 | 0.69 | 0.79 | 0.55 | 0.65 | 0.74 | 0.84 | 0.58 | 0.69 | 0.78 | 0.89 | 0.62 | 0.73 | 0.83 | 0.94 |
| | | PI | 3.74 | 3.74 | 3.74 | 3.75 | 3.96 | 3.96 | 3.97 | 3.97 | 4.20 | 4.20 | 4.21 | 4.21 | 4.45 | 4.45 | 4.46 | 4.47 |
| | 68 | TC | 44568 | 44628 | 44679 | 44739 | 47247 | 47303 | 47359 | 47415 | 50071 | 50136 | 50201 | 50257 | 53089 | 53147 | 53213 | 53279 |
| | | S/T | 0.52 | 0.61 | 0.70 | 0.79 | 0.55 | 0.65 | 0.74 | 0.84 | 0.59 | 0.69 | 0.78 | 0.89 | 0.62 | 0.73 | 0.83 | 0.95 |
| | | PI | 3.75 | 3.75 | 3.76 | 3.76 | 3.97 | 3.98 | 3.98 | 3.99 | 4.21 | 4.22 | 4.22 | 4.23 | 4.46 | 4.47 | 4.48 | 4.48 |
| | 77 | TC | 44199 | 44259 | 44308 | 44368 | 46856 | 46911 | 46967 | 47023 | 49656 | 49720 | 49785 | 49840 | 52649 | 52706 | 52772 | 52838 |
| | | S/T | 0.54 | 0.63 | 0.72 | 0.82 | 0.57 | 0.67 | 0.76 | 0.86 | 0.60 | 0.71 | 0.80 | 0.92 | 0.64 | 0.75 | 0.85 | 0.97 |
| | | PI | 3.76 | 3.77 | 3.77 | 3.78 | 3.99 | 3.99 | 4.00 | 4.00 | 4.22 | 4.23 | 4.24 | 4.24 | 4.48 | 4.48 | 4.49 | 4.50 |
| | 86 | TC | 41344 | 41400 | 41447 | 41502 | 43829 | 43881 | 43933 | 43985 | 46448 | 46509 | 46569 | 46621 | 49249 | 49302 | 49363 | 49425 |
| | | S/T | 0.54 | 0.64 | 0.72 | 0.83 | 0.58 | 0.68 | 0.77 | 0.88 | 0.61 | 0.72 | 0.81 | 0.93 | 0.65 | 0.76 | 0.86 | 0.98 |
| | | PI | 4.13 | 4.13 | 4.14 | 4.15 | 4.38 | 4.38 | 4.39 | 4.39 | 4.64 | 4.65 | 4.65 | 4.66 | 4.92 | 4.92 | 4.93 | 4.94 |
| | 95 | TC | 40402 | 40456 | 40501 | 40556 | 42830 | 42881 | 42931 | 42982 | 45389 | 45448 | 45507 | 45558 | 48125 | 48178 | 48238 | 48298 |
| | | S/T | 0.56 | 0.65 | 0.74 | 0.85 | 0.59 | 0.69 | 0.79 | 0.90 | 0.63 | 0.74 | 0.84 | 0.95 | 0.66 | 0.78 | 0.89 | 1.01 |
| | | PI | 4.22 | 4.23 | 4.23 | 4.24 | 4.48 | 4.48 | 4.49 | 4.49 | 4.75 | 4.75 | 4.76 | 4.76 | 5.03 | 5.04 | 5.04 | 5.05 |
| 104 | TC | 35712 | 35760 | 35800 | 35848 | 37858 | 37903 | 37948 | 37993 | 40120 | 40172 | 40225 | 40270 | 42539 | 42585 | 42638 | 42691 | |
| | S/T | 0.59 | 0.69 | 0.78 | 0.89 | 0.62 | 0.73 | 0.83 | 0.94 | 0.66 | 0.77 | 0.88 | 1.00 | 0.70 | 0.82 | 0.93 | 1.06 | |
| | PI | 9.42 | 9.43 | 9.44 | 9.45 | 9.98 | 9.99 | 10.01 | 10.02 | 10.58 | 10.59 | 10.61 | 10.62 | 11.22 | 11.23 | 11.24 | 11.26 | |
| 114.8 | TC | 30084 | 30124 | 30158 | 30199 | 31892 | 31930 | 31968 | 32006 | 33798 | 33842 | 33886 | 33923 | 35835 | 35874 | 35919 | 35964 | |
| | S/T | 0.59 | 0.70 | 0.79 | 0.90 | 0.63 | 0.74 | 0.84 | 0.95 | 0.67 | 0.78 | 0.89 | 1.01 | 0.71 | 0.83 | 0.94 | 1.07 | |
| | PI | 15.65 | 15.67 | 15.69 | 15.71 | 16.59 | 16.61 | 16.63 | 16.65 | 17.58 | 17.60 | 17.63 | 17.65 | 18.64 | 18.66 | 18.68 | 18.71 | |
| 122 | TC | 26332 | 26367 | 26397 | 26433 | 27915 | 27948 | 27981 | 28014 | 29583 | 29621 | 29660 | 29693 | 31366 | 31400 | 31439 | 31478 | |
| | PI | 19.80 | 19.83 | 19.85 | 19.88 | 20.99 | 21.02 | 21.04 | 21.07 | 22.25 | 22.28 | 22.30 | 22.33 | 23.59 | 23.61 | 23.64 | 23.67 | |

NOTE: Data highlighted in gray is extrapolated data and not actual test data. At 77°F outdoor conditions sweat protection activates causing a decrease in total capacity.

LEGEND

- TC - Total Net Capacity (Btu/hour)
- S/T: Sensible Cooling Capacity Ratio
- PI: Power Input (kW)
- Extrapolated Data

COOLING PERFORMANCE DUCTED PLUS NON-DUCTED

COOLING PERFORMANCE 48R (STANDARD)

DUCTED PLUS NON-DUCTED COOLING PERFORMANCE 48R (Sheet 1 of 4)

| AIRFLOW (CFM) | OUTDOOR DB (°F) | ID WB (°F) ID DB (°F) | 60.8 | | | | 64.4 | | | | 66.2 | | | | 71.6 | | | |
|------------------|--------------------|--------------------------|-------|-------|-------|-------|-------|-------|-------|-------|-------|-------|-------|-------|-------|-------|-------|-------|
| | | | 73.4 | 77.0 | 80.6 | 84.2 | 73.4 | 77.0 | 80.6 | 84.2 | 73.4 | 77.0 | 80.0 | 84.20 | 73.4 | 77.0 | 80.6 | 84.2 |
| 820 | -22 | TC | 23745 | 23777 | 23804 | 23836 | 25172 | 25202 | 25232 | 25262 | 26677 | 26711 | 26746 | 26776 | 28285 | 28316 | 28351 | 28386 |
| | | S/T | 0.21 | 0.25 | 0.28 | 0.32 | 0.22 | 0.26 | 0.30 | 0.34 | 0.24 | 0.28 | 0.32 | 0.36 | 0.25 | 0.29 | 0.34 | 0.38 |
| | | PI | 1.48 | 1.48 | 1.48 | 1.48 | 1.57 | 1.57 | 1.57 | 1.57 | 1.66 | 1.66 | 1.67 | 1.67 | 1.76 | 1.76 | 1.77 | 1.77 |
| | -10 | TC | 23467 | 23498 | 23525 | 23556 | 24877 | 24907 | 24936 | 24966 | 26364 | 26398 | 26432 | 26462 | 27953 | 27983 | 28018 | 28053 |
| | | S/T | 0.21 | 0.25 | 0.28 | 0.32 | 0.23 | 0.26 | 0.30 | 0.34 | 0.24 | 0.28 | 0.32 | 0.36 | 0.25 | 0.30 | 0.34 | 0.38 |
| | | PI | 1.52 | 1.52 | 1.52 | 1.52 | 1.61 | 1.61 | 1.61 | 1.61 | 1.70 | 1.71 | 1.71 | 1.71 | 1.81 | 1.81 | 1.81 | 1.81 |
| | 0 | TC | 23235 | 23266 | 23292 | 23323 | 24631 | 24660 | 24689 | 24719 | 26103 | 26137 | 26171 | 26200 | 27676 | 27707 | 27741 | 27776 |
| | | S/T | 0.21 | 0.25 | 0.28 | 0.32 | 0.23 | 0.27 | 0.30 | 0.34 | 0.24 | 0.28 | 0.32 | 0.36 | 0.25 | 0.30 | 0.34 | 0.39 |
| | | PI | 1.55 | 1.55 | 1.55 | 1.56 | 1.64 | 1.65 | 1.65 | 1.65 | 1.74 | 1.74 | 1.75 | 1.75 | 1.85 | 1.85 | 1.85 | 1.85 |
| | 5 | TC | 23118 | 23150 | 23176 | 23207 | 24508 | 24537 | 24566 | 24595 | 25973 | 26006 | 26040 | 26069 | 27538 | 27568 | 27602 | 27637 |
| | | S/T | 0.21 | 0.25 | 0.29 | 0.33 | 0.23 | 0.27 | 0.30 | 0.35 | 0.24 | 0.28 | 0.32 | 0.37 | 0.26 | 0.30 | 0.34 | 0.39 |
| | | PI | 1.57 | 1.57 | 1.57 | 1.57 | 1.66 | 1.66 | 1.66 | 1.67 | 1.76 | 1.76 | 1.76 | 1.77 | 1.87 | 1.87 | 1.87 | 1.87 |
| | 14 | TC | 22910 | 22940 | 22966 | 22997 | 24287 | 24315 | 24344 | 24373 | 25738 | 25771 | 25805 | 25834 | 27289 | 27319 | 27353 | 27387 |
| | | S/T | 0.22 | 0.25 | 0.29 | 0.33 | 0.23 | 0.27 | 0.30 | 0.35 | 0.24 | 0.28 | 0.32 | 0.37 | 0.26 | 0.30 | 0.34 | 0.39 |
| | | PI | 1.60 | 1.60 | 1.60 | 1.60 | 1.69 | 1.69 | 1.70 | 1.70 | 1.79 | 1.80 | 1.80 | 1.80 | 1.90 | 1.90 | 1.91 | 1.91 |
| | 17 | TC | 22840 | 22871 | 22896 | 22927 | 24213 | 24241 | 24270 | 24299 | 25660 | 25693 | 25726 | 25755 | 27206 | 27236 | 27270 | 27304 |
| | | S/T | 0.22 | 0.25 | 0.29 | 0.33 | 0.23 | 0.27 | 0.30 | 0.35 | 0.24 | 0.28 | 0.32 | 0.37 | 0.26 | 0.30 | 0.34 | 0.39 |
| | | PI | 1.61 | 1.61 | 1.61 | 1.61 | 1.70 | 1.70 | 1.71 | 1.71 | 1.80 | 1.81 | 1.81 | 1.81 | 1.91 | 1.91 | 1.92 | 1.92 |
| | 23 | TC | 22747 | 22778 | 22803 | 22834 | 24114 | 24143 | 24171 | 24200 | 25555 | 25588 | 25622 | 25650 | 27096 | 27125 | 27159 | 27193 |
| | | S/T | 0.22 | 0.25 | 0.29 | 0.33 | 0.23 | 0.27 | 0.31 | 0.35 | 0.24 | 0.29 | 0.32 | 0.37 | 0.26 | 0.30 | 0.34 | 0.39 |
| | | PI | 1.62 | 1.62 | 1.62 | 1.62 | 1.72 | 1.72 | 1.72 | 1.72 | 1.82 | 1.82 | 1.82 | 1.83 | 1.93 | 1.93 | 1.93 | 1.94 |
| | 32 | TC | 22608 | 22638 | 22664 | 22694 | 23967 | 23995 | 24023 | 24052 | 25399 | 25432 | 25465 | 25493 | 26930 | 26959 | 26993 | 27026 |
| | | S/T | 0.22 | 0.26 | 0.29 | 0.33 | 0.23 | 0.27 | 0.31 | 0.35 | 0.24 | 0.29 | 0.33 | 0.37 | 0.26 | 0.30 | 0.35 | 0.39 |
| | | PI | 1.64 | 1.64 | 1.64 | 1.64 | 1.74 | 1.74 | 1.74 | 1.74 | 1.84 | 1.84 | 1.85 | 1.85 | 1.95 | 1.95 | 1.96 | 1.96 |
| | 41 | TC | 22422 | 22452 | 22478 | 22508 | 23770 | 23798 | 23826 | 23854 | 25190 | 25223 | 25256 | 25284 | 26709 | 26738 | 26771 | 26804 |
| | | S/T | 0.22 | 0.26 | 0.29 | 0.33 | 0.23 | 0.27 | 0.31 | 0.35 | 0.25 | 0.29 | 0.33 | 0.37 | 0.26 | 0.31 | 0.35 | 0.40 |
| | | PI | 1.66 | 1.67 | 1.67 | 1.67 | 1.76 | 1.77 | 1.77 | 1.77 | 1.87 | 1.87 | 1.87 | 1.88 | 1.98 | 1.98 | 1.99 | 1.99 |
| | 47 | TC | 22283 | 22313 | 22338 | 22368 | 23622 | 23650 | 23678 | 23706 | 25034 | 25066 | 25099 | 25127 | 26543 | 26572 | 26605 | 26638 |
| | | S/T | 0.22 | 0.26 | 0.29 | 0.33 | 0.23 | 0.27 | 0.31 | 0.35 | 0.25 | 0.29 | 0.33 | 0.37 | 0.26 | 0.31 | 0.35 | 0.40 |
| | | PI | 1.68 | 1.69 | 1.69 | 1.69 | 1.79 | 1.79 | 1.79 | 1.79 | 1.89 | 1.89 | 1.89 | 1.90 | 2.01 | 2.01 | 2.01 | 2.01 |
| | 50 | TC | 22261 | 22291 | 22316 | 22346 | 23599 | 23627 | 23655 | 23683 | 25009 | 25042 | 25074 | 25102 | 26517 | 26546 | 26579 | 26612 |
| | | S/T | 0.22 | 0.26 | 0.29 | 0.33 | 0.23 | 0.27 | 0.31 | 0.35 | 0.25 | 0.29 | 0.33 | 0.38 | 0.26 | 0.31 | 0.35 | 0.40 |
| | | PI | 1.69 | 1.69 | 1.70 | 1.70 | 1.79 | 1.79 | 1.80 | 1.80 | 1.90 | 1.90 | 1.90 | 1.91 | 2.01 | 2.02 | 2.02 | 2.02 |
| | 59 | TC | 22195 | 22225 | 22250 | 22280 | 23529 | 23557 | 23585 | 23613 | 24935 | 24967 | 25000 | 25028 | 26438 | 26467 | 26500 | 26533 |
| | | S/T | 0.22 | 0.26 | 0.29 | 0.34 | 0.23 | 0.27 | 0.31 | 0.36 | 0.25 | 0.29 | 0.33 | 0.38 | 0.26 | 0.31 | 0.35 | 0.40 |
| | | PI | 1.71 | 1.71 | 1.72 | 1.72 | 1.82 | 1.82 | 1.82 | 1.82 | 1.92 | 1.93 | 1.93 | 1.93 | 2.04 | 2.04 | 2.04 | 2.05 |
| | 68 | TC | 22129 | 22159 | 22184 | 22213 | 23459 | 23487 | 23515 | 23543 | 24861 | 24893 | 24925 | 24953 | 26360 | 26388 | 26421 | 26454 |
| | | S/T | 0.22 | 0.26 | 0.30 | 0.34 | 0.24 | 0.28 | 0.31 | 0.36 | 0.25 | 0.29 | 0.33 | 0.38 | 0.26 | 0.31 | 0.35 | 0.40 |
| | | PI | 1.73 | 1.74 | 1.74 | 1.74 | 1.84 | 1.84 | 1.84 | 1.84 | 1.95 | 1.95 | 1.95 | 1.96 | 2.07 | 2.07 | 2.07 | 2.07 |
| | 77 | TC | 22063 | 22093 | 22117 | 22147 | 23389 | 23417 | 23445 | 23472 | 24787 | 24819 | 24851 | 24879 | 26281 | 26310 | 26342 | 26375 |
| | | S/T | 0.23 | 0.27 | 0.30 | 0.35 | 0.24 | 0.28 | 0.32 | 0.37 | 0.26 | 0.30 | 0.34 | 0.39 | 0.27 | 0.32 | 0.36 | 0.41 |
| | | PI | 1.76 | 1.76 | 1.76 | 1.76 | 1.86 | 1.86 | 1.87 | 1.87 | 1.97 | 1.97 | 1.98 | 1.98 | 2.09 | 2.09 | 2.10 | 2.10 |
| | 86 | TC | 20760 | 20788 | 20811 | 20839 | 22008 | 22034 | 22060 | 22086 | 23323 | 23353 | 23383 | 23409 | 24729 | 24756 | 24786 | 24817 |
| | | S/T | 0.23 | 0.27 | 0.31 | 0.35 | 0.24 | 0.29 | 0.33 | 0.37 | 0.26 | 0.30 | 0.35 | 0.39 | 0.27 | 0.32 | 0.37 | 0.42 |
| | | PI | 1.87 | 1.88 | 1.88 | 1.88 | 1.99 | 1.99 | 1.99 | 1.99 | 2.11 | 2.11 | 2.11 | 2.11 | 2.23 | 2.24 | 2.24 | 2.24 |
| | 95 | TC | 20408 | 20436 | 20459 | 20486 | 21635 | 21661 | 21686 | 21712 | 22928 | 22958 | 22987 | 23013 | 24310 | 24336 | 24367 | 24397 |
| | | S/T | 0.24 | 0.28 | 0.32 | 0.36 | 0.25 | 0.29 | 0.33 | 0.38 | 0.27 | 0.31 | 0.35 | 0.40 | 0.28 | 0.33 | 0.38 | 0.43 |
| | | PI | 1.92 | 1.92 | 1.92 | 1.93 | 2.03 | 2.04 | 2.04 | 2.04 | 2.16 | 2.16 | 2.16 | 2.16 | 2.29 | 2.29 | 2.29 | 2.29 |
| 104 | TC | 18098 | 18123 | 18143 | 18167 | 19186 | 19209 | 19231 | 19254 | 20332 | 20359 | 20385 | 20408 | 21558 | 21582 | 21608 | 21635 | |
| | S/T | 0.25 | 0.29 | 0.33 | 0.38 | 0.26 | 0.31 | 0.35 | 0.40 | 0.28 | 0.33 | 0.37 | 0.42 | 0.30 | 0.35 | 0.39 | 0.45 | |
| | PI | 3.73 | 3.73 | 3.74 | 3.74 | 3.95 | 3.95 | 3.96 | 3.96 | 4.19 | 4.19 | 4.20 | 4.20 | 4.44 | 4.44 | 4.45 | 4.45 | |
| 114.8 | TC | 15326 | 15347 | 15364 | 15385 | 16247 | 16266 | 16286 | 16305 | 17218 | 17240 | 17263 | 17282 | 18256 | 18276 | 18299 | 18321 | |
| | S/T | 0.25 | 0.30 | 0.34 | 0.38 | 0.27 | 0.31 | 0.36 | 0.41 | 0.28 | 0.33 | 0.38 | 0.43 | 0.30 | 0.35 | 0.40 | 0.46 | |
| | PI | 5.89 | 5.90 | 5.91 | 5.92 | 6.25 | 6.26 | 6.26 | 6.27 | 6.62 | 6.63 | 6.64 | 6.65 | 7.02 | 7.03 | 7.04 | 7.05 | |
| 122 | TC | 13478 | 13496 | 13511 | 13530 | 14288 | 14305 | 14322 | 14339 | 15142 | 15162 | 15181 | 15198 | 16055 | 16072 | 16092 | 16112 | |
| | S/T | 0.26 | 0.31 | 0.35 | 0.40 | 0.28 | 0.32 | 0.37 | 0.42 | 0.29 | 0.34 | 0.39 | 0.44 | 0.31 | 0.36 | 0.41 | 0.47 | |
| | PI | 7.34 | 7.35 | 7.36 | 7.37 | 7.78 | 7.79 | 7.80 | 7.81 | 8.25 | 8.26 | 8.27 | 8.28 | 8.74 | 8.75 | 8.76 | 8.78 | |

DUCTED PLUS NON-DUCTED COOLING PERFORMANCE 48R (Sheet 2 of 4)

| AIRFLOW (CFM) | OUTDOOR DB (°F) | ID WB (°F) | 60.8 | | | | 64.4 | | | | 66.2 | | | | 71.6 | | | |
|---------------|-----------------|------------|-------|-------|-------|-------|-------|-------|-------|-------|-------|-------|-------|-------|-------|-------|-------|-------|
| | | ID DB (°F) | 73.4 | 77.0 | 80.6 | 84.2 | 73.4 | 77.0 | 80.6 | 84.2 | 73.4 | 77.0 | 80.0 | 84.20 | 73.4 | 77.0 | 80.6 | 84.2 |
| | | TC | S/T | PI | TC | S/T | PI | TC | S/T | PI | TC | S/T | PI | TC | S/T | PI | | |
| 1068 | -22 | TC | 34044 | 34090 | 34128 | 34174 | 36091 | 36133 | 36176 | 36219 | 38247 | 38297 | 38347 | 38389 | 40553 | 40597 | 40647 | 40698 |
| | | S/T | 0.32 | 0.37 | 0.42 | 0.48 | 0.34 | 0.39 | 0.45 | 0.51 | 0.36 | 0.42 | 0.47 | 0.54 | 0.38 | 0.44 | 0.50 | 0.57 |
| | | PI | 2.21 | 2.21 | 2.21 | 2.22 | 2.34 | 2.34 | 2.35 | 2.48 | 2.49 | 2.49 | 2.49 | 2.49 | 2.63 | 2.63 | 2.64 | 2.64 |
| | -10 | TC | 33645 | 33690 | 33728 | 33774 | 35667 | 35709 | 35752 | 35794 | 37799 | 37848 | 37897 | 37939 | 40077 | 40121 | 40171 | 40221 |
| | | S/T | 0.32 | 0.37 | 0.43 | 0.49 | 0.34 | 0.40 | 0.45 | 0.51 | 0.36 | 0.42 | 0.48 | 0.54 | 0.38 | 0.45 | 0.51 | 0.58 |
| | | PI | 2.27 | 2.27 | 2.27 | 2.28 | 2.40 | 2.41 | 2.41 | 2.41 | 2.55 | 2.55 | 2.55 | 2.56 | 2.70 | 2.70 | 2.71 | 2.71 |
| | 0 | TC | 33312 | 33357 | 33394 | 33439 | 35314 | 35356 | 35398 | 35440 | 37425 | 37473 | 37522 | 37564 | 39681 | 39724 | 39773 | 39823 |
| | | S/T | 0.32 | 0.38 | 0.43 | 0.49 | 0.34 | 0.40 | 0.45 | 0.52 | 0.36 | 0.42 | 0.48 | 0.55 | 0.38 | 0.45 | 0.51 | 0.58 |
| | | PI | 2.32 | 2.32 | 2.32 | 2.33 | 2.46 | 2.46 | 2.46 | 2.46 | 2.60 | 2.61 | 2.61 | 2.61 | 2.76 | 2.76 | 2.77 | 2.77 |
| | 5 | TC | 33146 | 33190 | 33228 | 33272 | 35138 | 35180 | 35221 | 35263 | 37238 | 37286 | 37335 | 37376 | 39483 | 39526 | 39575 | 39624 |
| | | S/T | 0.32 | 0.38 | 0.43 | 0.49 | 0.34 | 0.40 | 0.45 | 0.52 | 0.36 | 0.42 | 0.48 | 0.55 | 0.38 | 0.45 | 0.51 | 0.58 |
| | | PI | 2.34 | 2.34 | 2.35 | 2.35 | 2.48 | 2.48 | 2.49 | 2.49 | 2.63 | 2.63 | 2.64 | 2.64 | 2.79 | 2.79 | 2.79 | 2.80 |
| | 14 | TC | 32846 | 32890 | 32927 | 32972 | 34820 | 34862 | 34903 | 34944 | 36901 | 36949 | 36997 | 37039 | 39126 | 39168 | 39217 | 39266 |
| | | S/T | 0.32 | 0.38 | 0.43 | 0.49 | 0.34 | 0.40 | 0.46 | 0.52 | 0.36 | 0.43 | 0.48 | 0.55 | 0.39 | 0.45 | 0.51 | 0.59 |
| | | PI | 2.38 | 2.39 | 2.39 | 2.39 | 2.53 | 2.53 | 2.53 | 2.54 | 2.68 | 2.68 | 2.69 | 2.69 | 2.84 | 2.84 | 2.85 | 2.85 |
| | 17 | TC | 32746 | 32791 | 32827 | 32872 | 34715 | 34756 | 34797 | 34838 | 36789 | 36837 | 36885 | 36926 | 39007 | 39049 | 39098 | 39147 |
| | | S/T | 0.32 | 0.38 | 0.43 | 0.49 | 0.34 | 0.40 | 0.46 | 0.52 | 0.36 | 0.43 | 0.49 | 0.55 | 0.39 | 0.45 | 0.51 | 0.59 |
| | | PI | 2.40 | 2.40 | 2.41 | 2.41 | 2.54 | 2.55 | 2.55 | 2.55 | 2.70 | 2.70 | 2.70 | 2.71 | 2.86 | 2.86 | 2.86 | 2.87 |
| | 23 | TC | 32613 | 32657 | 32694 | 32738 | 34574 | 34614 | 34656 | 34697 | 36640 | 36687 | 36735 | 36776 | 38848 | 38891 | 38939 | 38987 |
| | | S/T | 0.33 | 0.38 | 0.43 | 0.49 | 0.34 | 0.40 | 0.46 | 0.52 | 0.37 | 0.43 | 0.49 | 0.56 | 0.39 | 0.45 | 0.52 | 0.59 |
| | | PI | 2.42 | 2.42 | 2.42 | 2.43 | 2.56 | 2.57 | 2.57 | 2.57 | 2.72 | 2.72 | 2.72 | 2.73 | 2.88 | 2.88 | 2.89 | 2.89 |
| | 32 | TC | 32414 | 32457 | 32494 | 32538 | 34362 | 34403 | 34443 | 34484 | 36415 | 36463 | 36510 | 36551 | 38610 | 38652 | 38701 | 38749 |
| | | S/T | 0.33 | 0.38 | 0.44 | 0.50 | 0.35 | 0.41 | 0.46 | 0.53 | 0.37 | 0.43 | 0.49 | 0.56 | 0.39 | 0.46 | 0.52 | 0.59 |
| | | PI | 2.45 | 2.45 | 2.45 | 2.46 | 2.60 | 2.60 | 2.60 | 2.60 | 2.75 | 2.75 | 2.76 | 2.76 | 2.92 | 2.92 | 2.92 | 2.93 |
| | 41 | TC | 32147 | 32191 | 32227 | 32270 | 34080 | 34120 | 34160 | 34201 | 36116 | 36163 | 36210 | 36250 | 38293 | 38335 | 38383 | 38430 |
| | | S/T | 0.33 | 0.39 | 0.44 | 0.50 | 0.35 | 0.41 | 0.46 | 0.53 | 0.37 | 0.43 | 0.49 | 0.56 | 0.39 | 0.46 | 0.52 | 0.59 |
| | | PI | 2.49 | 2.49 | 2.49 | 2.50 | 2.64 | 2.64 | 2.64 | 2.65 | 2.79 | 2.80 | 2.80 | 2.80 | 2.96 | 2.97 | 2.97 | 2.97 |
| | 47 | TC | 31948 | 31991 | 32027 | 32070 | 33868 | 33908 | 33948 | 33989 | 35892 | 35938 | 35985 | 36025 | 38055 | 38097 | 38144 | 38192 |
| | | S/T | 0.33 | 0.39 | 0.44 | 0.50 | 0.35 | 0.41 | 0.46 | 0.53 | 0.37 | 0.43 | 0.49 | 0.56 | 0.39 | 0.46 | 0.52 | 0.60 |
| | | PI | 2.52 | 2.52 | 2.52 | 2.53 | 2.67 | 2.67 | 2.67 | 2.68 | 2.83 | 2.83 | 2.83 | 2.84 | 3.00 | 3.00 | 3.00 | 3.01 |
| | 50 | TC | 31916 | 31959 | 31995 | 32038 | 33835 | 33875 | 33915 | 33955 | 35856 | 35903 | 35950 | 35990 | 38018 | 38059 | 38107 | 38154 |
| | | S/T | 0.33 | 0.39 | 0.44 | 0.50 | 0.35 | 0.41 | 0.47 | 0.53 | 0.37 | 0.44 | 0.49 | 0.56 | 0.39 | 0.46 | 0.52 | 0.60 |
| | | PI | 2.53 | 2.53 | 2.53 | 2.54 | 2.68 | 2.68 | 2.69 | 2.69 | 2.84 | 2.84 | 2.85 | 2.85 | 3.01 | 3.01 | 3.02 | 3.02 |
| | 59 | TC | 31822 | 31864 | 31900 | 31943 | 33734 | 33774 | 33814 | 33854 | 35750 | 35797 | 35843 | 35883 | 37905 | 37946 | 37994 | 38041 |
| | | S/T | 0.33 | 0.39 | 0.44 | 0.50 | 0.35 | 0.41 | 0.47 | 0.53 | 0.37 | 0.44 | 0.50 | 0.57 | 0.39 | 0.46 | 0.53 | 0.60 |
| | | PI | 2.56 | 2.56 | 2.57 | 2.57 | 2.71 | 2.72 | 2.72 | 2.72 | 2.87 | 2.88 | 2.88 | 2.89 | 3.05 | 3.05 | 3.06 | 3.06 |
| 68 | TC | 31727 | 31770 | 31805 | 31848 | 33634 | 33674 | 33714 | 33754 | 35644 | 35690 | 35737 | 35776 | 37793 | 37834 | 37881 | 37928 | |
| | S/T | 0.33 | 0.39 | 0.44 | 0.51 | 0.35 | 0.41 | 0.47 | 0.54 | 0.37 | 0.44 | 0.50 | 0.57 | 0.40 | 0.47 | 0.53 | 0.60 | |
| | PI | 2.59 | 2.59 | 2.60 | 2.60 | 2.75 | 2.75 | 2.75 | 2.76 | 2.91 | 2.91 | 2.92 | 2.92 | 3.09 | 3.09 | 3.09 | 3.10 | |
| 77 | TC | 31633 | 31675 | 31711 | 31753 | 33534 | 33573 | 33613 | 33653 | 35538 | 35584 | 35630 | 35670 | 37680 | 37721 | 37768 | 37815 | |
| | S/T | 0.34 | 0.40 | 0.46 | 0.52 | 0.36 | 0.43 | 0.48 | 0.55 | 0.38 | 0.45 | 0.51 | 0.58 | 0.41 | 0.48 | 0.54 | 0.62 | |
| | PI | 2.62 | 2.63 | 2.63 | 2.63 | 2.78 | 2.78 | 2.79 | 2.79 | 2.95 | 2.95 | 2.95 | 2.96 | 3.12 | 3.13 | 3.13 | 3.14 | |
| 86 | TC | 29764 | 29804 | 29838 | 29878 | 31553 | 31590 | 31628 | 31665 | 33439 | 33482 | 33526 | 33563 | 35454 | 35493 | 35537 | 35581 | |
| | S/T | 0.35 | 0.41 | 0.46 | 0.53 | 0.37 | 0.43 | 0.49 | 0.56 | 0.39 | 0.46 | 0.52 | 0.59 | 0.41 | 0.48 | 0.55 | 0.63 | |
| | PI | 2.80 | 2.81 | 2.81 | 2.81 | 2.97 | 2.97 | 2.98 | 2.98 | 3.15 | 3.15 | 3.16 | 3.16 | 3.34 | 3.34 | 3.35 | 3.35 | |
| 95 | TC | 29260 | 29300 | 29332 | 29372 | 31019 | 31056 | 31092 | 31129 | 32872 | 32915 | 32958 | 32995 | 34854 | 34892 | 34935 | 34979 | |
| | S/T | 0.36 | 0.42 | 0.47 | 0.54 | 0.38 | 0.44 | 0.50 | 0.57 | 0.40 | 0.47 | 0.53 | 0.61 | 0.42 | 0.50 | 0.56 | 0.64 | |
| | PI | 2.87 | 2.87 | 2.87 | 2.88 | 3.04 | 3.04 | 3.05 | 3.05 | 3.22 | 3.23 | 3.23 | 3.23 | 3.42 | 3.42 | 3.42 | 3.43 | |
| 104 | TC | 25948 | 25983 | 26012 | 26047 | 27508 | 27540 | 27573 | 27606 | 29151 | 29189 | 29227 | 29260 | 30909 | 30942 | 30981 | 31019 | |
| | S/T | 0.37 | 0.44 | 0.50 | 0.57 | 0.40 | 0.46 | 0.53 | 0.60 | 0.42 | 0.49 | 0.56 | 0.64 | 0.44 | 0.52 | 0.59 | 0.68 | |
| | PI | 5.57 | 5.58 | 5.58 | 5.59 | 5.90 | 5.91 | 5.92 | 5.92 | 6.26 | 6.26 | 6.27 | 6.28 | 6.63 | 6.64 | 6.65 | 6.66 | |
| 114.8 | TC | 21974 | 22003 | 22028 | 22058 | 23294 | 23322 | 23350 | 23377 | 24686 | 24718 | 24750 | 24778 | 26174 | 26203 | 26236 | 26268 | |
| | S/T | 0.38 | 0.44 | 0.50 | 0.57 | 0.40 | 0.47 | 0.53 | 0.61 | 0.42 | 0.50 | 0.57 | 0.65 | 0.45 | 0.53 | 0.60 | 0.68 | |
| | PI | 8.81 | 8.82 | 8.83 | 8.84 | 9.34 | 9.35 | 9.36 | 9.37 | 9.90 | 9.91 | 9.92 | 9.93 | 10.49 | 10.50 | 10.52 | 10.53 | |
| 122 | TC | 19324 | 19350 | 19372 | 19398 | 20485 | 20510 | 20534 | 20558 | 21709 | 21738 | 21766 | 21790 | 23018 | 23043 | 23072 | 23101 | |
| | S/T | 0.39 | 0.46 | 0.52 | 0.59 | 0.41 | 0.49 | 0.55 | 0.63 | 0.44 | 0.52 | 0.59 | 0.67 | 0.47 | 0.55 | 0.62 | 0.71 | |
| | PI | 10.97 | 10.98 | 11.00 | 11.01 | 11.63 | 11.64 | 11.66 | 11.67 | 12.32 | 12.34 | 12.36 | 12.37 | 13.07 | 13.08 | 13.10 | 13.11 | |

DUCTED PLUS NON-DUCTED COOLING PERFORMANCE 48R (Sheet 3 of 4)

| AIRFLOW (CFM) | OUTDOOR DB (°F) | ID WB (°F) ID DB (°F) | 60.8 | | | | 64.4 | | | | 66.2 | | | | 71.6 | | | |
|------------------|--------------------|--------------------------|-------|-------|-------|-------|-------|-------|-------|-------|-------|-------|-------|-------|-------|-------|-------|-------|
| | | | 73.4 | 77.0 | 80.6 | 84.2 | 73.4 | 77.0 | 80.6 | 84.2 | 73.4 | 77.0 | 80.0 | 84.20 | 73.4 | 77.0 | 80.6 | 84.2 |
| | | | TC | S/T | PI | TC | S/T | PI | TC | S/T | PI | TC | S/T | PI | TC | S/T | PI | TC |
| 1600 | -22 | | 51131 | 51200 | 51257 | 51327 | 54204 | 54269 | 54333 | 54397 | 57443 | 57518 | 57593 | 57657 | 60906 | 60973 | 61048 | 61124 |
| | | | 0.48 | 0.56 | 0.63 | 0.72 | 0.50 | 0.59 | 0.67 | 0.77 | 0.53 | 0.63 | 0.71 | 0.81 | 0.57 | 0.67 | 0.76 | 0.86 |
| | | | 3.32 | 3.32 | 3.33 | 3.33 | 3.52 | 3.52 | 3.53 | 3.53 | 3.73 | 3.73 | 3.74 | 3.74 | 3.95 | 3.96 | 3.96 | 3.97 |
| | -10 | | 50531 | 50599 | 50656 | 50724 | 53569 | 53632 | 53696 | 53759 | 56770 | 56843 | 56917 | 56981 | 60192 | 60257 | 60332 | 60407 |
| | | | 0.48 | 0.56 | 0.64 | 0.73 | 0.51 | 0.60 | 0.68 | 0.77 | 0.54 | 0.63 | 0.72 | 0.82 | 0.57 | 0.67 | 0.76 | 0.87 |
| | | | 3.41 | 3.41 | 3.41 | 3.42 | 3.61 | 3.61 | 3.62 | 3.62 | 3.83 | 3.83 | 3.84 | 3.84 | 4.06 | 4.06 | 4.07 | 4.07 |
| | 0 | | 50032 | 50099 | 50155 | 50223 | 53039 | 53101 | 53164 | 53228 | 56208 | 56281 | 56354 | 56417 | 59597 | 59661 | 59736 | 59810 |
| | | | 0.48 | 0.57 | 0.64 | 0.73 | 0.51 | 0.60 | 0.68 | 0.78 | 0.54 | 0.64 | 0.72 | 0.82 | 0.57 | 0.67 | 0.77 | 0.87 |
| | | | 3.48 | 3.48 | 3.49 | 3.49 | 3.69 | 3.69 | 3.70 | 3.70 | 3.91 | 3.91 | 3.92 | 3.92 | 4.14 | 4.15 | 4.15 | 4.16 |
| | 5 | | 49782 | 49849 | 49905 | 49972 | 52774 | 52836 | 52899 | 52962 | 55927 | 56000 | 56073 | 56135 | 59299 | 59363 | 59437 | 59511 |
| | | | 0.48 | 0.57 | 0.64 | 0.73 | 0.51 | 0.60 | 0.68 | 0.78 | 0.54 | 0.64 | 0.72 | 0.83 | 0.58 | 0.68 | 0.77 | 0.88 |
| | | | 3.52 | 3.52 | 3.52 | 3.53 | 3.73 | 3.73 | 3.74 | 3.74 | 3.95 | 3.95 | 3.96 | 3.96 | 4.19 | 4.19 | 4.20 | 4.20 |
| | 14 | | 49332 | 49398 | 49454 | 49520 | 52297 | 52359 | 52421 | 52483 | 55422 | 55494 | 55566 | 55628 | 58763 | 58827 | 58900 | 58973 |
| | | | 0.49 | 0.57 | 0.65 | 0.74 | 0.51 | 0.60 | 0.69 | 0.78 | 0.55 | 0.64 | 0.73 | 0.83 | 0.58 | 0.68 | 0.77 | 0.88 |
| | | | 3.58 | 3.59 | 3.59 | 3.60 | 3.80 | 3.80 | 3.81 | 3.81 | 4.02 | 4.03 | 4.03 | 4.04 | 4.27 | 4.27 | 4.28 | 4.28 |
| | 17 | | 49182 | 49248 | 49303 | 49370 | 52138 | 52200 | 52262 | 52324 | 55254 | 55327 | 55397 | 55459 | 58584 | 58648 | 58721 | 58794 |
| | | | 0.49 | 0.57 | 0.65 | 0.74 | 0.52 | 0.61 | 0.69 | 0.78 | 0.55 | 0.64 | 0.73 | 0.83 | 0.58 | 0.68 | 0.77 | 0.88 |
| | | | 3.60 | 3.61 | 3.61 | 3.62 | 3.82 | 3.82 | 3.83 | 3.83 | 4.05 | 4.05 | 4.06 | 4.06 | 4.29 | 4.30 | 4.30 | 4.31 |
| | 23 | | 48982 | 49048 | 49103 | 49169 | 51926 | 51987 | 52049 | 52111 | 55029 | 55100 | 55172 | 55234 | 58346 | 58410 | 58482 | 58555 |
| | | | 0.49 | 0.57 | 0.65 | 0.74 | 0.52 | 0.61 | 0.69 | 0.79 | 0.55 | 0.64 | 0.73 | 0.83 | 0.58 | 0.68 | 0.78 | 0.88 |
| | | | 3.63 | 3.64 | 3.64 | 3.65 | 3.85 | 3.86 | 3.86 | 3.86 | 4.08 | 4.09 | 4.09 | 4.10 | 4.33 | 4.33 | 4.34 | 4.34 |
| | 32 | | 48682 | 48748 | 48802 | 48868 | 51608 | 51669 | 51730 | 51792 | 54692 | 54763 | 54834 | 54895 | 57989 | 58052 | 58124 | 58197 |
| | | | 0.49 | 0.58 | 0.65 | 0.75 | 0.52 | 0.61 | 0.69 | 0.79 | 0.55 | 0.65 | 0.74 | 0.84 | 0.58 | 0.69 | 0.78 | 0.89 |
| | | | 3.68 | 3.68 | 3.69 | 3.69 | 3.90 | 3.90 | 3.91 | 3.91 | 4.13 | 4.14 | 4.14 | 4.15 | 4.38 | 4.38 | 4.39 | 4.40 |
| | 41 | | 48282 | 48347 | 48401 | 48467 | 51184 | 51245 | 51306 | 51366 | 54243 | 54313 | 54384 | 54445 | 57513 | 57575 | 57647 | 57719 |
| | | | 0.49 | 0.58 | 0.66 | 0.75 | 0.52 | 0.61 | 0.70 | 0.79 | 0.55 | 0.65 | 0.74 | 0.84 | 0.59 | 0.69 | 0.78 | 0.89 |
| | | | 3.74 | 3.74 | 3.74 | 3.75 | 3.96 | 3.96 | 3.97 | 3.97 | 4.20 | 4.20 | 4.21 | 4.21 | 4.45 | 4.45 | 4.46 | 4.47 |
| | 47 | | 47982 | 48047 | 48101 | 48166 | 50866 | 50926 | 50987 | 51047 | 53906 | 53976 | 54046 | 54106 | 57156 | 57218 | 57289 | 57360 |
| | | | 0.49 | 0.58 | 0.66 | 0.75 | 0.52 | 0.61 | 0.70 | 0.80 | 0.56 | 0.65 | 0.74 | 0.84 | 0.59 | 0.69 | 0.78 | 0.89 |
| | | | 3.78 | 3.78 | 3.79 | 3.79 | 4.01 | 4.01 | 4.02 | 4.02 | 4.25 | 4.25 | 4.26 | 4.26 | 4.50 | 4.51 | 4.51 | 4.52 |
| | 50 | | 47935 | 47999 | 48053 | 48118 | 50816 | 50876 | 50937 | 50997 | 53853 | 53923 | 53993 | 54053 | 57099 | 57161 | 57232 | 57304 |
| | | | 0.50 | 0.58 | 0.66 | 0.75 | 0.53 | 0.62 | 0.70 | 0.80 | 0.56 | 0.65 | 0.74 | 0.85 | 0.59 | 0.69 | 0.79 | 0.90 |
| | | | 3.80 | 3.80 | 3.80 | 3.81 | 4.02 | 4.03 | 4.03 | 4.04 | 4.26 | 4.27 | 4.27 | 4.28 | 4.52 | 4.53 | 4.53 | 4.54 |
| | 59 | | 47793 | 47857 | 47911 | 47976 | 50665 | 50725 | 50786 | 50846 | 53693 | 53763 | 53833 | 53893 | 56930 | 56992 | 57063 | 57134 |
| | | | 0.50 | 0.58 | 0.66 | 0.76 | 0.53 | 0.62 | 0.70 | 0.80 | 0.56 | 0.66 | 0.75 | 0.85 | 0.59 | 0.70 | 0.79 | 0.90 |
| | | | 3.84 | 3.85 | 3.85 | 3.86 | 4.07 | 4.08 | 4.08 | 4.09 | 4.32 | 4.32 | 4.33 | 4.33 | 4.58 | 4.58 | 4.59 | 4.59 |
| | 68 | | 47651 | 47715 | 47769 | 47833 | 50515 | 50575 | 50635 | 50695 | 53533 | 53603 | 53673 | 53733 | 56761 | 56822 | 56893 | 56964 |
| | | | 0.50 | 0.59 | 0.67 | 0.76 | 0.53 | 0.62 | 0.71 | 0.81 | 0.56 | 0.66 | 0.75 | 0.86 | 0.60 | 0.70 | 0.80 | 0.91 |
| | | | 3.89 | 3.90 | 3.90 | 3.91 | 4.12 | 4.13 | 4.13 | 4.14 | 4.37 | 4.38 | 4.38 | 4.39 | 4.63 | 4.64 | 4.65 | 4.65 |
| | 77 | | 47509 | 47573 | 47626 | 47690 | 50364 | 50424 | 50484 | 50544 | 53374 | 53443 | 53513 | 53572 | 56591 | 56653 | 56723 | 56794 |
| | | | 0.51 | 0.60 | 0.69 | 0.78 | 0.54 | 0.64 | 0.73 | 0.83 | 0.58 | 0.68 | 0.77 | 0.88 | 0.61 | 0.72 | 0.82 | 0.93 |
| | | | 3.94 | 3.94 | 3.95 | 3.95 | 4.18 | 4.18 | 4.19 | 4.19 | 4.43 | 4.43 | 4.44 | 4.44 | 4.69 | 4.70 | 4.70 | 4.71 |
| | 86 | | 44703 | 44763 | 44813 | 44873 | 47389 | 47446 | 47502 | 47558 | 50221 | 50287 | 50352 | 50408 | 53249 | 53307 | 53373 | 53440 |
| | | | 0.52 | 0.61 | 0.69 | 0.79 | 0.55 | 0.65 | 0.74 | 0.84 | 0.59 | 0.69 | 0.78 | 0.89 | 0.62 | 0.73 | 0.83 | 0.94 |
| | | | 4.21 | 4.21 | 4.22 | 4.22 | 4.46 | 4.47 | 4.47 | 4.48 | 4.73 | 4.73 | 4.74 | 4.74 | 5.01 | 5.02 | 5.02 | 5.03 |
| | 95 | | 43946 | 44005 | 44054 | 44114 | 46587 | 46642 | 46698 | 46753 | 49371 | 49435 | 49499 | 49555 | 52347 | 52404 | 52469 | 52535 |
| | | | 0.53 | 0.63 | 0.71 | 0.81 | 0.57 | 0.66 | 0.75 | 0.86 | 0.60 | 0.70 | 0.80 | 0.91 | 0.64 | 0.75 | 0.85 | 0.97 |
| | | | 4.31 | 4.31 | 4.32 | 4.32 | 4.57 | 4.57 | 4.58 | 4.58 | 4.84 | 4.84 | 4.85 | 4.86 | 5.13 | 5.14 | 5.14 | 5.15 |
| 104 | | 38971 | 39024 | 39068 | 39120 | 41314 | 41363 | 41412 | 41461 | 43783 | 43839 | 43896 | 43945 | 46422 | 46472 | 46530 | 46588 | |
| | | 0.56 | 0.66 | 0.75 | 0.85 | 0.59 | 0.70 | 0.79 | 0.90 | 0.63 | 0.74 | 0.84 | 0.96 | 0.67 | 0.78 | 0.89 | 1.02 | |
| | | 8.36 | 8.37 | 8.38 | 8.39 | 8.87 | 8.88 | 8.89 | 8.90 | 9.39 | 9.41 | 9.42 | 9.43 | 9.96 | 9.97 | 9.98 | 10.00 | |
| 114.8 | | 33002 | 33047 | 33084 | 33128 | 34986 | 35027 | 35069 | 35110 | 37076 | 37124 | 37173 | 37214 | 39311 | 39354 | 39403 | 39452 | |
| | | 0.57 | 0.67 | 0.76 | 0.86 | 0.60 | 0.71 | 0.80 | 0.91 | 0.64 | 0.75 | 0.85 | 0.97 | 0.68 | 0.79 | 0.90 | 1.03 | |
| | | 13.23 | 13.25 | 13.26 | 13.28 | 14.02 | 14.04 | 14.06 | 14.07 | 14.86 | 14.88 | 14.90 | 14.92 | 15.76 | 15.78 | 15.80 | 15.82 | |
| 122 | | 29023 | 29062 | 29094 | 29133 | 30767 | 30803 | 30840 | 30876 | 32605 | 32648 | 32690 | 32727 | 34571 | 34609 | 34652 | 34695 | |
| | | 0.59 | 0.69 | 0.78 | 0.89 | 0.62 | 0.73 | 0.83 | 0.95 | 0.66 | 0.77 | 0.88 | 1.00 | 0.70 | 0.82 | 0.93 | 1.06 | |
| | | 16.47 | 16.50 | 16.51 | 16.54 | 17.46 | 17.48 | 17.51 | 17.53 | 18.51 | 18.53 | 18.56 | 18.58 | 19.62 | 19.64 | 19.67 | 19.69 | |

DUCTED PLUS NON-DUCTED COOLING PERFORMANCE 48R (Sheet 4 of 4)

| AIRFLOW (CFM) | OUTDOOR DB (°F) | ID WB (°F) ID DB (°F) | 60.8 | | | | 64.4 | | | | 66.2 | | | | 71.6 | | | |
|------------------|--------------------|--------------------------|-------|-------|-------|-------|-------|-------|-------|-------|-------|-------|-------|-------|-------|-------|-------|-------|
| | | | 73.4 | 77.0 | 80.6 | 84.2 | 73.4 | 77.0 | 80.6 | 84.2 | 73.4 | 77.0 | 80.0 | 84.20 | 73.4 | 77.0 | 80.6 | 84.2 |
| | | | TC | S/T | PI | TC | S/T | PI | TC | S/T | PI | TC | S/T | PI | TC | S/T | PI | TC |
| 1750 | -22 | TC | 53420 | 53492 | 53552 | 53624 | 56630 | 56697 | 56765 | 56832 | 60014 | 60092 | 60171 | 60238 | 63632 | 63702 | 63781 | 63860 |
| | | S/T | 0.50 | 0.58 | 0.66 | 0.76 | 0.53 | 0.62 | 0.70 | 0.80 | 0.56 | 0.66 | 0.74 | 0.85 | 0.59 | 0.69 | 0.79 | 0.90 |
| | | PI | 3.47 | 3.47 | 3.48 | 3.48 | 3.67 | 3.68 | 3.68 | 3.69 | 3.89 | 3.90 | 3.90 | 3.91 | 4.13 | 4.13 | 4.14 | 4.14 |
| | -10 | TC | 52793 | 52864 | 52923 | 52995 | 55966 | 56032 | 56099 | 56165 | 59310 | 59387 | 59465 | 59531 | 62886 | 62954 | 63033 | 63111 |
| | | S/T | 0.50 | 0.59 | 0.67 | 0.76 | 0.53 | 0.62 | 0.71 | 0.81 | 0.56 | 0.66 | 0.75 | 0.85 | 0.60 | 0.70 | 0.79 | 0.91 |
| | | PI | 3.56 | 3.56 | 3.57 | 3.57 | 3.77 | 3.78 | 3.78 | 3.79 | 4.00 | 4.00 | 4.01 | 4.01 | 4.24 | 4.24 | 4.25 | 4.25 |
| | 0 | TC | 52271 | 52341 | 52400 | 52471 | 55413 | 55478 | 55544 | 55610 | 58724 | 58800 | 58877 | 58942 | 62264 | 62332 | 62409 | 62487 |
| | | S/T | 0.50 | 0.59 | 0.67 | 0.77 | 0.53 | 0.63 | 0.71 | 0.81 | 0.57 | 0.66 | 0.75 | 0.86 | 0.60 | 0.70 | 0.80 | 0.91 |
| | | PI | 3.63 | 3.64 | 3.64 | 3.65 | 3.85 | 3.86 | 3.86 | 3.87 | 4.08 | 4.09 | 4.09 | 4.10 | 4.33 | 4.33 | 4.34 | 4.35 |
| | 5 | TC | 52010 | 52080 | 52138 | 52208 | 55136 | 55201 | 55266 | 55332 | 58430 | 58506 | 58582 | 58648 | 61953 | 62020 | 62097 | 62175 |
| | | S/T | 0.50 | 0.59 | 0.67 | 0.77 | 0.54 | 0.63 | 0.71 | 0.81 | 0.57 | 0.67 | 0.76 | 0.86 | 0.60 | 0.71 | 0.80 | 0.91 |
| | | PI | 3.67 | 3.68 | 3.68 | 3.69 | 3.89 | 3.90 | 3.90 | 3.91 | 4.13 | 4.13 | 4.14 | 4.14 | 4.38 | 4.38 | 4.39 | 4.39 |
| | 14 | TC | 51540 | 51609 | 51667 | 51737 | 54638 | 54702 | 54767 | 54832 | 57902 | 57978 | 58053 | 58118 | 61393 | 61460 | 61536 | 61613 |
| | | S/T | 0.51 | 0.60 | 0.68 | 0.77 | 0.54 | 0.63 | 0.72 | 0.82 | 0.57 | 0.67 | 0.76 | 0.87 | 0.60 | 0.71 | 0.81 | 0.92 |
| | | PI | 3.74 | 3.75 | 3.75 | 3.76 | 3.97 | 3.97 | 3.98 | 3.98 | 4.20 | 4.21 | 4.21 | 4.22 | 4.46 | 4.46 | 4.47 | 4.47 |
| | 17 | TC | 51383 | 51452 | 51510 | 51579 | 54471 | 54536 | 54601 | 54665 | 57726 | 57801 | 57877 | 57941 | 61206 | 61273 | 61349 | 61426 |
| | | S/T | 0.51 | 0.60 | 0.68 | 0.77 | 0.54 | 0.63 | 0.72 | 0.82 | 0.57 | 0.67 | 0.76 | 0.87 | 0.61 | 0.71 | 0.81 | 0.92 |
| | | PI | 3.76 | 3.77 | 3.77 | 3.78 | 3.99 | 4.00 | 4.00 | 4.01 | 4.23 | 4.24 | 4.24 | 4.25 | 4.48 | 4.49 | 4.50 | 4.50 |
| | 23 | TC | 51174 | 51243 | 51301 | 51370 | 54250 | 54314 | 54379 | 54443 | 57492 | 57567 | 57641 | 57706 | 60958 | 61024 | 61100 | 61176 |
| | | S/T | 0.51 | 0.60 | 0.68 | 0.78 | 0.54 | 0.63 | 0.72 | 0.82 | 0.57 | 0.67 | 0.76 | 0.87 | 0.61 | 0.71 | 0.81 | 0.92 |
| | | PI | 3.80 | 3.80 | 3.80 | 3.81 | 4.02 | 4.03 | 4.03 | 4.04 | 4.26 | 4.27 | 4.28 | 4.28 | 4.52 | 4.53 | 4.53 | 4.54 |
| | 32 | TC | 50861 | 50929 | 50987 | 51055 | 53918 | 53982 | 54046 | 54110 | 57140 | 57214 | 57288 | 57352 | 60584 | 60650 | 60726 | 60801 |
| | | S/T | 0.51 | 0.60 | 0.68 | 0.78 | 0.54 | 0.64 | 0.72 | 0.83 | 0.58 | 0.68 | 0.77 | 0.88 | 0.61 | 0.72 | 0.81 | 0.93 |
| | | PI | 3.84 | 3.85 | 3.85 | 3.86 | 4.07 | 4.08 | 4.08 | 4.09 | 4.32 | 4.32 | 4.33 | 4.33 | 4.58 | 4.58 | 4.59 | 4.59 |
| | 41 | TC | 50443 | 50511 | 50568 | 50636 | 53475 | 53538 | 53602 | 53665 | 56671 | 56744 | 56818 | 56881 | 60087 | 60152 | 60227 | 60302 |
| | | S/T | 0.52 | 0.60 | 0.69 | 0.78 | 0.55 | 0.64 | 0.73 | 0.83 | 0.58 | 0.68 | 0.77 | 0.88 | 0.61 | 0.72 | 0.82 | 0.93 |
| | | PI | 3.90 | 3.91 | 3.91 | 3.92 | 4.14 | 4.14 | 4.15 | 4.15 | 4.38 | 4.39 | 4.40 | 4.40 | 4.65 | 4.65 | 4.66 | 4.67 |
| | 47 | TC | 50130 | 50197 | 50254 | 50321 | 53143 | 53206 | 53269 | 53332 | 56319 | 56392 | 56465 | 56528 | 59714 | 59779 | 59853 | 59927 |
| | | S/T | 0.52 | 0.61 | 0.69 | 0.78 | 0.55 | 0.64 | 0.73 | 0.83 | 0.58 | 0.68 | 0.77 | 0.88 | 0.61 | 0.72 | 0.82 | 0.93 |
| | | PI | 3.95 | 3.95 | 3.96 | 3.96 | 4.19 | 4.19 | 4.20 | 4.20 | 4.44 | 4.44 | 4.45 | 4.45 | 4.70 | 4.71 | 4.71 | 4.72 |
| | 50 | TC | 50080 | 50148 | 50204 | 50272 | 53090 | 53153 | 53216 | 53279 | 56263 | 56336 | 56409 | 56472 | 59655 | 59720 | 59794 | 59868 |
| | | S/T | 0.52 | 0.61 | 0.69 | 0.79 | 0.55 | 0.64 | 0.73 | 0.83 | 0.58 | 0.68 | 0.78 | 0.88 | 0.62 | 0.72 | 0.82 | 0.94 |
| | | PI | 3.97 | 3.97 | 3.97 | 3.98 | 4.20 | 4.21 | 4.21 | 4.22 | 4.45 | 4.46 | 4.47 | 4.47 | 4.72 | 4.73 | 4.73 | 4.74 |
| | 59 | TC | 49932 | 49999 | 50055 | 50123 | 52933 | 52996 | 53059 | 53122 | 56096 | 56169 | 56242 | 56305 | 59478 | 59543 | 59617 | 59691 |
| | | S/T | 0.52 | 0.61 | 0.69 | 0.79 | 0.55 | 0.65 | 0.74 | 0.84 | 0.58 | 0.69 | 0.78 | 0.89 | 0.62 | 0.73 | 0.83 | 0.94 |
| | | PI | 4.02 | 4.02 | 4.03 | 4.03 | 4.26 | 4.26 | 4.27 | 4.27 | 4.51 | 4.52 | 4.52 | 4.53 | 4.78 | 4.79 | 4.79 | 4.80 |
| | 68 | TC | 49784 | 49851 | 49907 | 49974 | 52776 | 52838 | 52901 | 52964 | 55929 | 56002 | 56075 | 56138 | 59301 | 59366 | 59439 | 59514 |
| | | S/T | 0.52 | 0.61 | 0.70 | 0.79 | 0.55 | 0.65 | 0.74 | 0.84 | 0.59 | 0.69 | 0.78 | 0.89 | 0.62 | 0.73 | 0.83 | 0.95 |
| | | PI | 4.07 | 4.07 | 4.08 | 4.08 | 4.31 | 4.31 | 4.32 | 4.32 | 4.57 | 4.57 | 4.58 | 4.58 | 4.84 | 4.85 | 4.85 | 4.86 |
| | 77 | TC | 49635 | 49702 | 49758 | 49825 | 52618 | 52681 | 52743 | 52806 | 55763 | 55835 | 55908 | 55970 | 59124 | 59189 | 59262 | 59336 |
| | | S/T | 0.54 | 0.63 | 0.72 | 0.82 | 0.57 | 0.67 | 0.76 | 0.86 | 0.60 | 0.71 | 0.80 | 0.92 | 0.64 | 0.75 | 0.85 | 0.97 |
| | | PI | 4.12 | 4.12 | 4.13 | 4.13 | 4.36 | 4.37 | 4.37 | 4.38 | 4.62 | 4.63 | 4.64 | 4.64 | 4.90 | 4.91 | 4.91 | 4.92 |
| | 86 | TC | 46703 | 46766 | 46819 | 46882 | 49510 | 49569 | 49628 | 49687 | 52469 | 52537 | 52606 | 52664 | 55632 | 55693 | 55762 | 55831 |
| | | S/T | 0.54 | 0.64 | 0.72 | 0.83 | 0.58 | 0.68 | 0.77 | 0.88 | 0.61 | 0.72 | 0.81 | 0.93 | 0.65 | 0.76 | 0.86 | 0.98 |
| | | PI | 4.40 | 4.40 | 4.41 | 4.41 | 4.66 | 4.67 | 4.67 | 4.68 | 4.94 | 4.95 | 4.95 | 4.96 | 5.24 | 5.24 | 5.25 | 5.26 |
| | 95 | TC | 45913 | 45975 | 46026 | 46088 | 48672 | 48730 | 48788 | 48846 | 51581 | 51648 | 51715 | 51773 | 54690 | 54750 | 54818 | 54886 |
| | | S/T | 0.56 | 0.65 | 0.74 | 0.85 | 0.59 | 0.69 | 0.79 | 0.90 | 0.63 | 0.74 | 0.84 | 0.95 | 0.66 | 0.78 | 0.89 | 1.01 |
| | | PI | 4.50 | 4.51 | 4.51 | 4.52 | 4.77 | 4.78 | 4.78 | 4.79 | 5.05 | 5.06 | 5.07 | 5.07 | 5.36 | 5.37 | 5.37 | 5.38 |
| | 104 | TC | 40716 | 40770 | 40816 | 40871 | 43163 | 43214 | 43265 | 43317 | 45742 | 45802 | 45861 | 45912 | 48500 | 48552 | 48613 | 48673 |
| | | S/T | 0.59 | 0.69 | 0.78 | 0.89 | 0.62 | 0.73 | 0.83 | 0.94 | 0.66 | 0.77 | 0.88 | 1.00 | 0.70 | 0.82 | 0.93 | 1.06 |
| | | PI | 8.74 | 8.75 | 8.76 | 8.77 | 9.26 | 9.27 | 9.28 | 9.29 | 9.82 | 9.83 | 9.84 | 9.85 | 10.41 | 10.42 | 10.43 | 10.44 |
| | 114.8 | TC | 34479 | 34526 | 34564 | 34611 | 36552 | 36595 | 36638 | 36682 | 38736 | 38786 | 38836 | 38880 | 41071 | 41116 | 41167 | 41218 |
| | | S/T | 0.59 | 0.70 | 0.79 | 0.90 | 0.63 | 0.74 | 0.84 | 0.95 | 0.67 | 0.78 | 0.89 | 1.01 | 0.71 | 0.83 | 0.94 | 1.07 |
| | | PI | 13.82 | 13.84 | 13.86 | 13.87 | 14.65 | 14.67 | 14.69 | 14.70 | 15.53 | 15.55 | 15.57 | 15.59 | 16.46 | 16.48 | 16.50 | 16.52 |
| | 122 | TC | 30322 | 30362 | 30396 | 30437 | 32144 | 32182 | 32220 | 32258 | 34065 | 34109 | 34153 | 34192 | 36118 | 36158 | 36203 | 36248 |
| | | S/T | 0.61 | 0.72 | 0.82 | 0.93 | 0.65 | 0.76 | 0.87 | 0.99 | 0.69 | 0.81 | 0.92 | 1.05 | 0.73 | 0.86 | 0.97 | 1.11 |
| | | PI | 17.21 | 17.23 | 17.25 | 17.28 | 18.25 | 18.27 | 18.29 | 18.31 | 19.34 | 19.36 | 19.39 | 19.41 | 20.50 | 20.52 | 20.55 | 20.58 |

NOTE: Data highlighted in gray is extrapolated data and not actual test data. At 77°F outdoor conditions sweat protection activates causing a decrease in total capacity.

LEGEND

- TC - Total Net Capacity (Btu/hour)
- S/T: Sensible Cooling Capacity Ratio
- PI: Power Input (kW)
- Extrapolated Data

COOLING PERFORMANCE DUCTED PLUS NON-DUCTED

COOLING PERFORMANCE 48HH (HIGH HEAT)

DUCTED PLUS NON-DUCTED COOLING PERFORMANCE 48HH (Sheet 1 of 4)

| AIRFLOW (CFM) | OUTDOOR DB (°F) | ID WB (°F) ID DB (°F) | 60.8 | | | | 64.4 | | | | 66.2 | | | | 71.6 | | | | |
|------------------|--------------------|--------------------------|-------|-------|-------|-------|-------|-------|-------|-------|-------|-------|-------|-------|-------|-------|-------|-------|------|
| | | | 73.4 | 77.0 | 80.6 | 84.2 | 73.4 | 77.0 | 80.6 | 84.2 | 73.4 | 77.0 | 80.0 | 84.20 | 73.4 | 77.0 | 80.6 | 84.2 | |
| 820 | -22 | TC | 22353 | 22383 | 22408 | 22438 | 23696 | 23724 | 23752 | 23780 | 25112 | 25145 | 25177 | 25205 | 26626 | 26655 | 26688 | 26721 | |
| | | S/T | 0.21 | 0.25 | 0.28 | 0.32 | 0.22 | 0.26 | 0.30 | 0.34 | 0.24 | 0.28 | 0.32 | 0.36 | 0.25 | 0.29 | 0.34 | 0.38 | |
| | | PI | 1.08 | 1.08 | 1.08 | 1.08 | 1.14 | 1.14 | 1.14 | 1.15 | 1.21 | 1.21 | 1.21 | 1.21 | 1.28 | 1.28 | 1.29 | 1.29 | |
| | -10 | TC | 22074 | 22104 | 22128 | 22158 | 23401 | 23428 | 23456 | 23484 | 24799 | 24831 | 24864 | 24891 | 26294 | 26323 | 26355 | 26388 | |
| | | S/T | 0.21 | 0.25 | 0.28 | 0.32 | 0.23 | 0.26 | 0.30 | 0.34 | 0.24 | 0.28 | 0.32 | 0.36 | 0.25 | 0.30 | 0.34 | 0.38 | |
| | | PI | 1.16 | 1.16 | 1.16 | 1.16 | 1.22 | 1.23 | 1.23 | 1.23 | 1.30 | 1.30 | 1.30 | 1.30 | 1.38 | 1.38 | 1.38 | 1.38 | |
| | 0 | TC | 21842 | 21871 | 21896 | 21925 | 23155 | 23182 | 23210 | 23237 | 24538 | 24570 | 24602 | 24630 | 26018 | 26046 | 26078 | 26111 | |
| | | S/T | 0.21 | 0.25 | 0.28 | 0.32 | 0.23 | 0.27 | 0.30 | 0.34 | 0.24 | 0.28 | 0.32 | 0.36 | 0.25 | 0.30 | 0.34 | 0.39 | |
| | | PI | 1.22 | 1.22 | 1.22 | 1.23 | 1.29 | 1.30 | 1.30 | 1.30 | 1.37 | 1.37 | 1.37 | 1.38 | 1.45 | 1.46 | 1.46 | 1.46 | |
| | 5 | TC | 21726 | 21755 | 21779 | 21809 | 23032 | 23059 | 23086 | 23114 | 24408 | 24440 | 24471 | 24499 | 25879 | 25907 | 25940 | 25972 | |
| | | S/T | 0.21 | 0.25 | 0.29 | 0.33 | 0.23 | 0.27 | 0.30 | 0.35 | 0.24 | 0.28 | 0.32 | 0.37 | 0.26 | 0.30 | 0.34 | 0.39 | |
| | | PI | 1.25 | 1.25 | 1.26 | 1.26 | 1.33 | 1.33 | 1.33 | 1.33 | 1.41 | 1.41 | 1.41 | 1.41 | 1.49 | 1.49 | 1.50 | 1.50 | |
| | 14 | TC | 21517 | 21546 | 21570 | 21599 | 22810 | 22837 | 22864 | 22891 | 24173 | 24205 | 24236 | 24263 | 25630 | 25658 | 25690 | 25722 | |
| | | S/T | 0.22 | 0.25 | 0.29 | 0.33 | 0.23 | 0.27 | 0.30 | 0.35 | 0.24 | 0.28 | 0.32 | 0.37 | 0.26 | 0.30 | 0.34 | 0.39 | |
| | | PI | 1.31 | 1.31 | 1.32 | 1.32 | 1.39 | 1.39 | 1.39 | 1.40 | 1.47 | 1.48 | 1.48 | 1.48 | 1.56 | 1.56 | 1.57 | 1.57 | |
| | 17 | TC | 21447 | 21476 | 21500 | 21529 | 22736 | 22763 | 22790 | 22817 | 24095 | 24126 | 24158 | 24185 | 25548 | 25575 | 25607 | 25639 | |
| | | S/T | 0.22 | 0.25 | 0.29 | 0.33 | 0.23 | 0.27 | 0.30 | 0.35 | 0.24 | 0.28 | 0.32 | 0.37 | 0.26 | 0.30 | 0.34 | 0.39 | |
| | | PI | 1.33 | 1.33 | 1.33 | 1.34 | 1.41 | 1.41 | 1.41 | 1.42 | 1.50 | 1.50 | 1.50 | 1.50 | 1.59 | 1.59 | 1.59 | 1.59 | |
| | 23 | TC | 21354 | 21383 | 21407 | 21436 | 22638 | 22665 | 22692 | 22719 | 23991 | 24022 | 24053 | 24080 | 25437 | 25465 | 25496 | 25528 | |
| | | S/T | 0.22 | 0.25 | 0.29 | 0.33 | 0.23 | 0.27 | 0.31 | 0.35 | 0.24 | 0.29 | 0.32 | 0.37 | 0.26 | 0.30 | 0.34 | 0.39 | |
| | | PI | 1.36 | 1.36 | 1.36 | 1.36 | 1.44 | 1.44 | 1.44 | 1.44 | 1.53 | 1.53 | 1.53 | 1.53 | 1.62 | 1.62 | 1.62 | 1.62 | |
| | 32 | TC | 21215 | 21244 | 21268 | 21296 | 22490 | 22517 | 22544 | 22570 | 23834 | 23865 | 23896 | 23923 | 25271 | 25299 | 25330 | 25362 | |
| | | S/T | 0.22 | 0.26 | 0.29 | 0.33 | 0.23 | 0.27 | 0.31 | 0.35 | 0.24 | 0.29 | 0.33 | 0.37 | 0.26 | 0.30 | 0.35 | 0.39 | |
| | | PI | 1.40 | 1.40 | 1.40 | 1.40 | 1.48 | 1.48 | 1.48 | 1.49 | 1.57 | 1.57 | 1.57 | 1.58 | 1.66 | 1.67 | 1.67 | 1.67 | |
| | 41 | TC | 21029 | 21058 | 21081 | 21110 | 22293 | 22320 | 22346 | 22373 | 23626 | 23656 | 23687 | 23713 | 25050 | 25077 | 25108 | 25140 | |
| | | S/T | 0.22 | 0.26 | 0.29 | 0.33 | 0.23 | 0.27 | 0.31 | 0.35 | 0.25 | 0.29 | 0.33 | 0.37 | 0.26 | 0.31 | 0.35 | 0.40 | |
| | | PI | 1.45 | 1.45 | 1.45 | 1.45 | 1.54 | 1.54 | 1.54 | 1.54 | 1.63 | 1.63 | 1.63 | 1.63 | 1.73 | 1.73 | 1.73 | 1.73 | |
| | 47 | TC | 20890 | 20918 | 20942 | 20970 | 22146 | 22172 | 22198 | 22225 | 23469 | 23500 | 23530 | 23556 | 24884 | 24911 | 24942 | 24973 | |
| | | S/T | 0.22 | 0.26 | 0.29 | 0.33 | 0.23 | 0.27 | 0.31 | 0.35 | 0.25 | 0.29 | 0.33 | 0.37 | 0.26 | 0.31 | 0.35 | 0.40 | |
| | | PI | 1.49 | 1.49 | 1.49 | 1.49 | 1.58 | 1.58 | 1.58 | 1.58 | 1.67 | 1.67 | 1.68 | 1.68 | 1.77 | 1.77 | 1.78 | 1.78 | |
| | 50 | TC | 20884 | 20912 | 20935 | 20963 | 22139 | 22165 | 22191 | 22218 | 23462 | 23492 | 23523 | 23549 | 24876 | 24903 | 24934 | 24965 | |
| | | S/T | 0.22 | 0.26 | 0.29 | 0.33 | 0.23 | 0.27 | 0.31 | 0.35 | 0.25 | 0.29 | 0.33 | 0.38 | 0.26 | 0.31 | 0.35 | 0.40 | |
| | | PI | 1.50 | 1.50 | 1.50 | 1.50 | 1.59 | 1.59 | 1.59 | 1.59 | 1.68 | 1.68 | 1.68 | 1.69 | 1.78 | 1.78 | 1.79 | 1.79 | |
| | 59 | TC | 20863 | 20891 | 20915 | 20943 | 22117 | 22144 | 22170 | 22196 | 23439 | 23469 | 23500 | 23526 | 24852 | 24879 | 24910 | 24941 | |
| | | S/T | 0.22 | 0.26 | 0.29 | 0.34 | 0.23 | 0.27 | 0.31 | 0.36 | 0.25 | 0.29 | 0.33 | 0.38 | 0.26 | 0.31 | 0.35 | 0.40 | |
| | | PI | 1.52 | 1.52 | 1.52 | 1.52 | 1.61 | 1.61 | 1.61 | 1.61 | 1.70 | 1.71 | 1.71 | 1.71 | 1.81 | 1.81 | 1.81 | 1.81 | |
| | 68 | TC | 20843 | 20871 | 20895 | 20923 | 22096 | 22122 | 22148 | 22175 | 23416 | 23447 | 23477 | 23504 | 24828 | 24855 | 24886 | 24917 | |
| | | S/T | 0.22 | 0.26 | 0.30 | 0.34 | 0.24 | 0.28 | 0.31 | 0.36 | 0.25 | 0.29 | 0.33 | 0.38 | 0.26 | 0.31 | 0.35 | 0.40 | |
| | | PI | 1.54 | 1.54 | 1.54 | 1.54 | 1.63 | 1.63 | 1.63 | 1.64 | 1.73 | 1.73 | 1.73 | 1.73 | 1.83 | 1.83 | 1.84 | 1.84 | |
| | 77 | TC | 20823 | 20851 | 20875 | 20903 | 22075 | 22101 | 22127 | 22153 | 23394 | 23424 | 23455 | 23481 | 24804 | 24831 | 24862 | 24893 | |
| | | S/T | 0.23 | 0.27 | 0.30 | 0.35 | 0.24 | 0.28 | 0.32 | 0.37 | 0.26 | 0.30 | 0.34 | 0.39 | 0.27 | 0.32 | 0.36 | 0.41 | |
| | | PI | 1.56 | 1.56 | 1.56 | 1.57 | 1.65 | 1.65 | 1.66 | 1.66 | 1.75 | 1.75 | 1.76 | 1.76 | 1.86 | 1.86 | 1.86 | 1.86 | |
| | 86 | TC | 20001 | 20028 | 20050 | 20077 | 21203 | 21228 | 21253 | 21278 | 22470 | 22499 | 22528 | 22554 | 23825 | 23850 | 23880 | 23910 | |
| | | S/T | 0.23 | 0.27 | 0.31 | 0.35 | 0.24 | 0.29 | 0.33 | 0.37 | 0.26 | 0.30 | 0.35 | 0.39 | 0.27 | 0.32 | 0.37 | 0.42 | |
| | | PI | 1.77 | 1.78 | 1.78 | 1.78 | 1.88 | 1.88 | 1.89 | 1.89 | 1.99 | 2.00 | 2.00 | 2.00 | 2.11 | 2.12 | 2.12 | 2.12 | |
| | 95 | TC | 19796 | 19822 | 19844 | 19871 | 20985 | 21010 | 21035 | 21060 | 22239 | 22268 | 22297 | 22322 | 23580 | 23606 | 23635 | 23664 | |
| | | S/T | 0.24 | 0.28 | 0.32 | 0.36 | 0.25 | 0.29 | 0.33 | 0.38 | 0.27 | 0.31 | 0.35 | 0.40 | 0.28 | 0.33 | 0.38 | 0.43 | |
| | | PI | 1.84 | 1.84 | 1.85 | 1.85 | 1.95 | 1.95 | 1.96 | 1.96 | 2.07 | 2.07 | 2.07 | 2.08 | 2.19 | 2.19 | 2.20 | 2.20 | |
| | 104 | TC | 16998 | 17021 | 17040 | 17063 | 18020 | 18041 | 18062 | 18084 | 19096 | 19121 | 19146 | 19167 | 20248 | 20270 | 20295 | 20320 | |
| | | S/T | 0.25 | 0.29 | 0.33 | 0.38 | 0.26 | 0.31 | 0.35 | 0.40 | 0.28 | 0.33 | 0.37 | 0.42 | 0.30 | 0.35 | 0.39 | 0.45 | |
| | | PI | 3.86 | 3.87 | 3.87 | 3.88 | 4.10 | 4.10 | 4.11 | 4.11 | 4.34 | 4.35 | 4.35 | 4.36 | 4.60 | 4.61 | 4.61 | 4.62 | |
| | 114.8 | TC | 13641 | 13659 | 13675 | 13693 | 14461 | 14478 | 14495 | 14512 | 15325 | 15345 | 15365 | 15382 | 16249 | 16266 | 16287 | 16307 | |
| | | S/T | 0.25 | 0.30 | 0.34 | 0.38 | 0.27 | 0.31 | 0.36 | 0.41 | 0.28 | 0.33 | 0.38 | 0.43 | 0.30 | 0.35 | 0.40 | 0.46 | |
| | | PI | 6.29 | 6.30 | 6.31 | 6.32 | 6.67 | 6.68 | 6.69 | 6.69 | 7.07 | 7.08 | 7.09 | 7.09 | 7.49 | 7.50 | 7.51 | 7.52 | |
| | 122 | TC | 11403 | 11418 | 11431 | 11446 | 12088 | 12103 | 12117 | 12131 | 12811 | 12827 | 12844 | 12858 | 13583 | 13598 | 13615 | 13632 | |
| | | S/T | 0.26 | 0.31 | 0.35 | 0.40 | 0.28 | 0.32 | 0.37 | 0.42 | 0.29 | 0.34 | 0.39 | 0.44 | 0.31 | 0.36 | 0.41 | 0.47 | |
| | | | PI | 7.91 | 7.92 | 7.93 | 7.94 | 8.39 | 8.40 | 8.41 | 8.42 | 8.89 | 8.90 | 8.91 | 8.92 | 9.42 | 9.43 | 9.44 | 9.46 |

DUCTED PLUS NON-DUCTED COOLING PERFORMANCE 48HH (Sheet 2 of 4)

| AIRFLOW (CFM) | OUTDOOR DB (°F) | ID WB (°F) ID DB (°F) | 60.8 | | | | 64.4 | | | | 66.2 | | | | 71.6 | | | |
|------------------|--------------------|--------------------------|-------|-------|-------|-------|-------|-------|-------|-------|-------|-------|-------|-------|-------|-------|-------|-------|
| | | | 73.4 | 77.0 | 80.6 | 84.2 | 73.4 | 77.0 | 80.6 | 84.2 | 73.4 | 77.0 | 80.0 | 84.20 | 73.4 | 77.0 | 80.6 | 84.2 |
| | | | TC | S/T | PI | TC | S/T | PI | TC | S/T | PI | TC | S/T | PI | TC | S/T | PI | TC |
| 1068 | -22 | TC | 32048 | 32091 | 32127 | 32170 | 33974 | 34014 | 34054 | 34095 | 36004 | 36051 | 36098 | 36138 | 38174 | 38216 | 38263 | 38311 |
| | | S/T | 0.32 | 0.37 | 0.42 | 0.48 | 0.34 | 0.39 | 0.45 | 0.51 | 0.36 | 0.42 | 0.47 | 0.54 | 0.38 | 0.44 | 0.50 | 0.57 |
| | | PI | 1.61 | 1.61 | 1.61 | 1.62 | 1.71 | 1.71 | 1.71 | 1.71 | 1.81 | 1.81 | 1.81 | 1.81 | 1.92 | 1.92 | 1.92 | 1.92 |
| | -10 | TC | 31648 | 31691 | 31726 | 31769 | 33550 | 33590 | 33630 | 33670 | 35555 | 35601 | 35648 | 35688 | 37699 | 37740 | 37787 | 37834 |
| | | S/T | 0.32 | 0.37 | 0.43 | 0.49 | 0.34 | 0.40 | 0.45 | 0.51 | 0.36 | 0.42 | 0.48 | 0.54 | 0.38 | 0.45 | 0.51 | 0.58 |
| | | PI | 1.73 | 1.73 | 1.73 | 1.73 | 1.83 | 1.83 | 1.83 | 1.84 | 1.94 | 1.94 | 1.94 | 1.95 | 2.06 | 2.06 | 2.06 | 2.06 |
| | 0 | TC | 31315 | 31358 | 31393 | 31435 | 33198 | 33237 | 33276 | 33316 | 35181 | 35227 | 35273 | 35312 | 37302 | 37343 | 37389 | 37436 |
| | | S/T | 0.32 | 0.38 | 0.43 | 0.49 | 0.34 | 0.40 | 0.45 | 0.52 | 0.36 | 0.42 | 0.48 | 0.55 | 0.38 | 0.45 | 0.51 | 0.58 |
| | | PI | 1.82 | 1.83 | 1.83 | 1.83 | 1.93 | 1.94 | 1.94 | 1.94 | 2.05 | 2.05 | 2.05 | 2.06 | 2.17 | 2.17 | 2.18 | 2.18 |
| | 5 | TC | 31149 | 31191 | 31226 | 31268 | 33021 | 33060 | 33100 | 33139 | 34994 | 35040 | 35086 | 35125 | 37104 | 37144 | 37191 | 37237 |
| | | S/T | 0.32 | 0.38 | 0.43 | 0.49 | 0.34 | 0.40 | 0.45 | 0.52 | 0.36 | 0.42 | 0.48 | 0.55 | 0.38 | 0.45 | 0.51 | 0.58 |
| | | PI | 1.87 | 1.88 | 1.88 | 1.88 | 1.99 | 1.99 | 1.99 | 1.99 | 2.10 | 2.11 | 2.11 | 2.11 | 2.23 | 2.23 | 2.24 | 2.24 |
| | 14 | TC | 30850 | 30891 | 30926 | 30967 | 32704 | 32742 | 32781 | 32820 | 34658 | 34703 | 34748 | 34787 | 36747 | 36787 | 36833 | 36879 |
| | | S/T | 0.32 | 0.38 | 0.43 | 0.49 | 0.34 | 0.40 | 0.46 | 0.52 | 0.36 | 0.43 | 0.48 | 0.55 | 0.39 | 0.45 | 0.51 | 0.59 |
| | | PI | 1.96 | 1.96 | 1.97 | 1.97 | 2.08 | 2.08 | 2.08 | 2.09 | 2.20 | 2.21 | 2.21 | 2.21 | 2.34 | 2.34 | 2.34 | 2.34 |
| | 17 | TC | 30750 | 30791 | 30826 | 30867 | 32598 | 32637 | 32675 | 32714 | 34546 | 34591 | 34636 | 34674 | 36628 | 36668 | 36714 | 36760 |
| | | S/T | 0.32 | 0.38 | 0.43 | 0.49 | 0.34 | 0.40 | 0.46 | 0.52 | 0.36 | 0.43 | 0.49 | 0.55 | 0.39 | 0.45 | 0.51 | 0.59 |
| | | PI | 1.99 | 1.99 | 1.99 | 2.00 | 2.11 | 2.11 | 2.11 | 2.12 | 2.24 | 2.24 | 2.24 | 2.24 | 2.37 | 2.37 | 2.38 | 2.38 |
| | 23 | TC | 30617 | 30658 | 30692 | 30734 | 32457 | 32495 | 32534 | 32572 | 34396 | 34441 | 34486 | 34524 | 36470 | 36509 | 36555 | 36600 |
| | | S/T | 0.33 | 0.38 | 0.43 | 0.49 | 0.34 | 0.40 | 0.46 | 0.52 | 0.37 | 0.43 | 0.49 | 0.56 | 0.39 | 0.45 | 0.52 | 0.59 |
| | | PI | 2.03 | 2.03 | 2.03 | 2.04 | 2.15 | 2.15 | 2.16 | 2.16 | 2.28 | 2.28 | 2.29 | 2.29 | 2.42 | 2.42 | 2.42 | 2.43 |
| | 32 | TC | 30417 | 30458 | 30492 | 30533 | 32245 | 32283 | 32322 | 32360 | 34172 | 34216 | 34261 | 34299 | 36232 | 36271 | 36317 | 36362 |
| | | S/T | 0.33 | 0.38 | 0.44 | 0.50 | 0.35 | 0.41 | 0.46 | 0.53 | 0.37 | 0.43 | 0.49 | 0.56 | 0.39 | 0.46 | 0.52 | 0.59 |
| | | PI | 2.09 | 2.09 | 2.09 | 2.10 | 2.21 | 2.22 | 2.22 | 2.22 | 2.34 | 2.35 | 2.35 | 2.35 | 2.49 | 2.49 | 2.49 | 2.50 |
| | 41 | TC | 30151 | 30191 | 30225 | 30266 | 31963 | 32001 | 32039 | 32077 | 33873 | 33917 | 33961 | 33999 | 35915 | 35954 | 35999 | 36043 |
| | | S/T | 0.33 | 0.39 | 0.44 | 0.50 | 0.35 | 0.41 | 0.46 | 0.53 | 0.37 | 0.43 | 0.49 | 0.56 | 0.39 | 0.46 | 0.52 | 0.59 |
| | | PI | 2.17 | 2.17 | 2.17 | 2.17 | 2.30 | 2.30 | 2.30 | 2.30 | 2.43 | 2.44 | 2.44 | 2.44 | 2.58 | 2.58 | 2.59 | 2.59 |
| | 47 | TC | 29951 | 29991 | 30025 | 30065 | 31751 | 31789 | 31826 | 31864 | 33649 | 33692 | 33736 | 33774 | 35677 | 35716 | 35760 | 35805 |
| | | S/T | 0.33 | 0.39 | 0.44 | 0.50 | 0.35 | 0.41 | 0.46 | 0.53 | 0.37 | 0.43 | 0.49 | 0.56 | 0.39 | 0.46 | 0.52 | 0.60 |
| | | PI | 2.22 | 2.23 | 2.23 | 2.23 | 2.36 | 2.36 | 2.36 | 2.37 | 2.50 | 2.50 | 2.50 | 2.51 | 2.65 | 2.65 | 2.66 | 2.66 |
| | 50 | TC | 29941 | 29982 | 30015 | 30056 | 31741 | 31779 | 31816 | 31854 | 33638 | 33681 | 33725 | 33763 | 35666 | 35704 | 35749 | 35793 |
| | | S/T | 0.33 | 0.39 | 0.44 | 0.50 | 0.35 | 0.41 | 0.47 | 0.53 | 0.37 | 0.44 | 0.49 | 0.56 | 0.39 | 0.46 | 0.52 | 0.60 |
| | | PI | 2.23 | 2.24 | 2.24 | 2.24 | 2.37 | 2.37 | 2.37 | 2.38 | 2.51 | 2.51 | 2.52 | 2.52 | 2.66 | 2.66 | 2.67 | 2.67 |
| | 59 | TC | 29913 | 29953 | 29986 | 30027 | 31710 | 31748 | 31786 | 31823 | 33605 | 33649 | 33693 | 33730 | 35631 | 35670 | 35714 | 35759 |
| | | S/T | 0.33 | 0.39 | 0.44 | 0.50 | 0.35 | 0.41 | 0.47 | 0.53 | 0.37 | 0.44 | 0.50 | 0.57 | 0.39 | 0.46 | 0.53 | 0.60 |
| | | PI | 2.27 | 2.27 | 2.27 | 2.27 | 2.40 | 2.41 | 2.41 | 2.41 | 2.55 | 2.55 | 2.55 | 2.56 | 2.70 | 2.70 | 2.71 | 2.71 |
| | 68 | TC | 29884 | 29924 | 29958 | 29998 | 31680 | 31717 | 31755 | 31793 | 33573 | 33617 | 33660 | 33698 | 35597 | 35636 | 35680 | 35724 |
| | | S/T | 0.33 | 0.39 | 0.44 | 0.51 | 0.35 | 0.41 | 0.47 | 0.54 | 0.37 | 0.44 | 0.50 | 0.57 | 0.40 | 0.47 | 0.53 | 0.60 |
| | | PI | 2.30 | 2.30 | 2.30 | 2.31 | 2.44 | 2.44 | 2.44 | 2.44 | 2.58 | 2.59 | 2.59 | 2.59 | 2.74 | 2.74 | 2.74 | 2.75 |
| | 77 | TC | 29855 | 29895 | 29929 | 29969 | 31649 | 31687 | 31724 | 31762 | 33541 | 33584 | 33628 | 33665 | 35563 | 35601 | 35646 | 35690 |
| | | S/T | 0.34 | 0.40 | 0.46 | 0.52 | 0.36 | 0.43 | 0.48 | 0.55 | 0.38 | 0.45 | 0.51 | 0.58 | 0.41 | 0.48 | 0.54 | 0.62 |
| | | PI | 2.33 | 2.33 | 2.34 | 2.34 | 2.47 | 2.47 | 2.48 | 2.48 | 2.62 | 2.62 | 2.62 | 2.63 | 2.78 | 2.78 | 2.78 | 2.79 |
| | 86 | TC | 28676 | 28714 | 28747 | 28785 | 30399 | 30435 | 30471 | 30508 | 32216 | 32258 | 32300 | 32336 | 34158 | 34195 | 34238 | 34280 |
| | | S/T | 0.35 | 0.41 | 0.46 | 0.53 | 0.37 | 0.43 | 0.49 | 0.56 | 0.39 | 0.46 | 0.52 | 0.59 | 0.41 | 0.48 | 0.55 | 0.63 |
| | | PI | 2.65 | 2.66 | 2.66 | 2.66 | 2.81 | 2.81 | 2.82 | 2.82 | 2.98 | 2.98 | 2.99 | 2.99 | 3.16 | 3.16 | 3.17 | 3.17 |
| | 95 | TC | 28382 | 28420 | 28452 | 28490 | 30087 | 30123 | 30159 | 30195 | 31885 | 31927 | 31968 | 32004 | 33808 | 33844 | 33886 | 33929 |
| | | S/T | 0.36 | 0.42 | 0.47 | 0.54 | 0.38 | 0.44 | 0.50 | 0.57 | 0.40 | 0.47 | 0.53 | 0.61 | 0.42 | 0.50 | 0.56 | 0.64 |
| | | PI | 2.75 | 2.75 | 2.76 | 2.76 | 2.92 | 2.92 | 2.92 | 2.93 | 3.09 | 3.09 | 3.10 | 3.10 | 3.28 | 3.28 | 3.28 | 3.29 |
| | 104 | TC | 24371 | 24403 | 24431 | 24464 | 25835 | 25866 | 25897 | 25927 | 27379 | 27415 | 27450 | 27481 | 29030 | 29061 | 29098 | 29134 |
| | | S/T | 0.37 | 0.44 | 0.50 | 0.57 | 0.40 | 0.46 | 0.53 | 0.60 | 0.42 | 0.49 | 0.56 | 0.64 | 0.44 | 0.52 | 0.59 | 0.68 |
| | | PI | 5.77 | 5.78 | 5.79 | 5.80 | 6.12 | 6.13 | 6.14 | 6.14 | 6.49 | 6.49 | 6.50 | 6.51 | 6.88 | 6.88 | 6.89 | 6.90 |
| | 114.8 | TC | 19558 | 19584 | 19606 | 19632 | 20733 | 20758 | 20782 | 20807 | 21972 | 22000 | 22029 | 22054 | 23297 | 23322 | 23351 | 23380 |
| | | S/T | 0.38 | 0.44 | 0.50 | 0.57 | 0.40 | 0.47 | 0.53 | 0.61 | 0.42 | 0.50 | 0.57 | 0.65 | 0.45 | 0.53 | 0.60 | 0.68 |
| | | PI | 9.40 | 9.41 | 9.42 | 9.44 | 9.97 | 9.98 | 9.99 | 10.00 | 10.56 | 10.58 | 10.59 | 10.60 | 11.20 | 11.21 | 11.22 | 11.24 |
| 122 | TC | 16349 | 16371 | 16389 | 16411 | 17331 | 17352 | 17372 | 17393 | 18367 | 18391 | 18415 | 18435 | 19474 | 19495 | 19520 | 19544 | |
| | S/T | 0.39 | 0.46 | 0.52 | 0.59 | 0.41 | 0.49 | 0.55 | 0.63 | 0.44 | 0.52 | 0.59 | 0.67 | 0.47 | 0.55 | 0.62 | 0.71 | |
| | PI | 11.82 | 11.84 | 11.85 | 11.87 | 12.53 | 12.55 | 12.56 | 12.58 | 13.28 | 13.30 | 13.31 | 13.33 | 14.08 | 14.10 | 14.11 | 14.13 | |

DUCTED PLUS NON-DUCTED COOLING PERFORMANCE 48HH (Sheet 3 of 4)

| AIRFLOW (CFM) | OUTDOOR DB (°F) | ID WB (°F) ID DB (°F) | 60.8 | | | | 64.4 | | | | 66.2 | | | | 71.6 | | | |
|------------------|--------------------|--------------------------|-------|-------|-------|-------|-------|-------|-------|-------|-------|-------|-------|-------|-------|-------|-------|-------|
| | | | 73.4 | 77.0 | 80.6 | 84.2 | 73.4 | 77.0 | 80.6 | 84.2 | 73.4 | 77.0 | 80.0 | 84.20 | 73.4 | 77.0 | 80.6 | 84.2 |
| 1600 | -22 | TC | 48132 | 48197 | 48251 | 48316 | 51025 | 51086 | 51146 | 51207 | 54074 | 54145 | 54215 | 54275 | 57334 | 57396 | 57468 | 57539 |
| | | S/T | 0.48 | 0.56 | 0.63 | 0.72 | 0.50 | 0.59 | 0.67 | 0.77 | 0.53 | 0.63 | 0.71 | 0.81 | 0.57 | 0.67 | 0.76 | 0.86 |
| | | PI | 2.42 | 2.42 | 2.42 | 2.43 | 2.56 | 2.57 | 2.57 | 2.57 | 2.72 | 2.72 | 2.72 | 2.73 | 2.88 | 2.88 | 2.89 | 2.89 |
| | -10 | TC | 47533 | 47596 | 47650 | 47714 | 50389 | 50449 | 50509 | 50569 | 53400 | 53470 | 53539 | 53599 | 56620 | 56681 | 56752 | 56822 |
| | | S/T | 0.48 | 0.56 | 0.64 | 0.73 | 0.51 | 0.60 | 0.68 | 0.77 | 0.54 | 0.63 | 0.72 | 0.82 | 0.57 | 0.67 | 0.76 | 0.87 |
| | | PI | 2.59 | 2.60 | 2.60 | 2.60 | 2.75 | 2.75 | 2.76 | 2.76 | 2.91 | 2.92 | 2.92 | 2.92 | 3.09 | 3.09 | 3.10 | 3.10 |
| | 0 | TC | 47033 | 47096 | 47149 | 47212 | 49860 | 49919 | 49978 | 50037 | 52839 | 52908 | 52976 | 53036 | 56024 | 56085 | 56155 | 56225 |
| | | S/T | 0.48 | 0.57 | 0.64 | 0.73 | 0.51 | 0.60 | 0.68 | 0.78 | 0.54 | 0.64 | 0.72 | 0.82 | 0.57 | 0.67 | 0.77 | 0.87 |
| | | PI | 2.74 | 2.74 | 2.75 | 2.75 | 2.90 | 2.91 | 2.91 | 2.91 | 3.08 | 3.08 | 3.09 | 3.09 | 3.26 | 3.27 | 3.27 | 3.27 |
| | 5 | TC | 46783 | 46846 | 46898 | 46962 | 49595 | 49653 | 49712 | 49771 | 52558 | 52626 | 52695 | 52754 | 55727 | 55787 | 55857 | 55926 |
| | | S/T | 0.48 | 0.57 | 0.64 | 0.73 | 0.51 | 0.60 | 0.68 | 0.78 | 0.54 | 0.64 | 0.72 | 0.83 | 0.58 | 0.68 | 0.77 | 0.88 |
| | | PI | 2.81 | 2.82 | 2.82 | 2.82 | 2.98 | 2.99 | 2.99 | 2.99 | 3.16 | 3.16 | 3.17 | 3.17 | 3.35 | 3.35 | 3.36 | 3.36 |
| | 14 | TC | 46333 | 46395 | 46447 | 46510 | 49118 | 49176 | 49234 | 49293 | 52053 | 52120 | 52188 | 52246 | 55191 | 55251 | 55320 | 55388 |
| | | S/T | 0.49 | 0.57 | 0.65 | 0.74 | 0.51 | 0.60 | 0.69 | 0.78 | 0.55 | 0.64 | 0.73 | 0.83 | 0.58 | 0.68 | 0.77 | 0.88 |
| | | PI | 2.94 | 2.95 | 2.95 | 2.96 | 3.12 | 3.13 | 3.13 | 3.13 | 3.31 | 3.31 | 3.32 | 3.32 | 3.51 | 3.51 | 3.52 | 3.52 |
| | 17 | TC | 46183 | 46245 | 46297 | 46359 | 48959 | 49017 | 49075 | 49133 | 51884 | 51952 | 52019 | 52077 | 55012 | 55072 | 55141 | 55209 |
| | | S/T | 0.49 | 0.57 | 0.65 | 0.74 | 0.52 | 0.61 | 0.69 | 0.78 | 0.55 | 0.64 | 0.73 | 0.83 | 0.58 | 0.68 | 0.77 | 0.88 |
| | | PI | 2.99 | 2.99 | 3.00 | 3.00 | 3.17 | 3.17 | 3.18 | 3.18 | 3.36 | 3.36 | 3.37 | 3.37 | 3.56 | 3.56 | 3.57 | 3.57 |
| | 23 | TC | 45983 | 46045 | 46097 | 46159 | 48747 | 48805 | 48862 | 48920 | 51660 | 51727 | 51794 | 51852 | 54774 | 54834 | 54902 | 54970 |
| | | S/T | 0.49 | 0.57 | 0.65 | 0.74 | 0.52 | 0.61 | 0.69 | 0.79 | 0.55 | 0.64 | 0.73 | 0.83 | 0.58 | 0.68 | 0.78 | 0.88 |
| | | PI | 3.05 | 3.05 | 3.05 | 3.06 | 3.23 | 3.23 | 3.24 | 3.24 | 3.42 | 3.43 | 3.43 | 3.44 | 3.63 | 3.63 | 3.64 | 3.64 |
| | 32 | TC | 45683 | 45745 | 45796 | 45858 | 48429 | 48486 | 48544 | 48601 | 51323 | 51390 | 51456 | 51514 | 54417 | 54476 | 54544 | 54612 |
| | | S/T | 0.49 | 0.58 | 0.65 | 0.75 | 0.52 | 0.61 | 0.69 | 0.79 | 0.55 | 0.65 | 0.74 | 0.84 | 0.58 | 0.69 | 0.78 | 0.89 |
| | | PI | 3.13 | 3.14 | 3.14 | 3.15 | 3.32 | 3.33 | 3.33 | 3.34 | 3.52 | 3.53 | 3.53 | 3.53 | 3.73 | 3.74 | 3.74 | 3.75 |
| | 41 | TC | 45283 | 45344 | 45395 | 45456 | 48005 | 48062 | 48119 | 48176 | 50874 | 50940 | 51006 | 51063 | 53941 | 53999 | 54066 | 54134 |
| | | S/T | 0.49 | 0.58 | 0.66 | 0.75 | 0.52 | 0.61 | 0.70 | 0.79 | 0.55 | 0.65 | 0.74 | 0.84 | 0.59 | 0.69 | 0.78 | 0.89 |
| | | PI | 3.25 | 3.26 | 3.26 | 3.26 | 3.45 | 3.45 | 3.46 | 3.46 | 3.65 | 3.66 | 3.66 | 3.67 | 3.87 | 3.88 | 3.88 | 3.89 |
| | 47 | TC | 44983 | 45044 | 45095 | 45155 | 47687 | 47744 | 47800 | 47857 | 50537 | 50602 | 50668 | 50725 | 53583 | 53642 | 53708 | 53775 |
| | | S/T | 0.49 | 0.58 | 0.66 | 0.75 | 0.52 | 0.61 | 0.70 | 0.80 | 0.56 | 0.65 | 0.74 | 0.84 | 0.59 | 0.69 | 0.78 | 0.89 |
| | | PI | 3.34 | 3.34 | 3.35 | 3.35 | 3.54 | 3.54 | 3.55 | 3.55 | 3.75 | 3.76 | 3.76 | 3.77 | 3.98 | 3.98 | 3.99 | 3.99 |
| | 50 | TC | 44969 | 45030 | 45080 | 45141 | 47672 | 47728 | 47785 | 47842 | 50521 | 50586 | 50652 | 50708 | 53566 | 53624 | 53691 | 53758 |
| | | S/T | 0.50 | 0.58 | 0.66 | 0.75 | 0.53 | 0.62 | 0.70 | 0.80 | 0.56 | 0.65 | 0.74 | 0.85 | 0.59 | 0.69 | 0.79 | 0.90 |
| | | PI | 3.36 | 3.36 | 3.36 | 3.37 | 3.56 | 3.56 | 3.57 | 3.57 | 3.77 | 3.78 | 3.78 | 3.78 | 4.00 | 4.00 | 4.01 | 4.01 |
| | 59 | TC | 44926 | 44986 | 45037 | 45097 | 47626 | 47682 | 47739 | 47796 | 50472 | 50537 | 50603 | 50660 | 53515 | 53573 | 53639 | 53706 |
| | | S/T | 0.50 | 0.58 | 0.66 | 0.76 | 0.53 | 0.62 | 0.70 | 0.80 | 0.56 | 0.66 | 0.75 | 0.85 | 0.59 | 0.70 | 0.79 | 0.90 |
| | | PI | 3.40 | 3.41 | 3.41 | 3.42 | 3.61 | 3.61 | 3.62 | 3.62 | 3.82 | 3.83 | 3.83 | 3.84 | 4.05 | 4.06 | 4.06 | 4.07 |
| | 68 | TC | 44883 | 44943 | 44993 | 45054 | 47580 | 47636 | 47693 | 47750 | 50423 | 50489 | 50554 | 50611 | 53463 | 53521 | 53588 | 53654 |
| | | S/T | 0.50 | 0.59 | 0.67 | 0.76 | 0.53 | 0.62 | 0.71 | 0.81 | 0.56 | 0.66 | 0.75 | 0.86 | 0.60 | 0.70 | 0.80 | 0.91 |
| | | PI | 3.45 | 3.46 | 3.46 | 3.46 | 3.66 | 3.66 | 3.67 | 3.67 | 3.88 | 3.88 | 3.89 | 3.89 | 4.11 | 4.12 | 4.12 | 4.13 |
| | 77 | TC | 44839 | 44900 | 44950 | 45011 | 47534 | 47591 | 47647 | 47703 | 50375 | 50440 | 50506 | 50562 | 53412 | 53470 | 53536 | 53603 |
| | | S/T | 0.51 | 0.60 | 0.69 | 0.78 | 0.54 | 0.64 | 0.73 | 0.83 | 0.58 | 0.68 | 0.77 | 0.88 | 0.61 | 0.72 | 0.82 | 0.93 |
| | | PI | 3.50 | 3.50 | 3.51 | 3.51 | 3.71 | 3.71 | 3.72 | 3.72 | 3.93 | 3.94 | 3.94 | 3.95 | 4.17 | 4.17 | 4.18 | 4.18 |
| | 86 | TC | 43068 | 43126 | 43175 | 43233 | 45657 | 45711 | 45765 | 45819 | 48385 | 48448 | 48511 | 48565 | 51302 | 51358 | 51422 | 51486 |
| | | S/T | 0.52 | 0.61 | 0.69 | 0.79 | 0.55 | 0.65 | 0.74 | 0.84 | 0.59 | 0.69 | 0.78 | 0.89 | 0.62 | 0.73 | 0.83 | 0.94 |
| | | PI | 3.98 | 3.99 | 3.99 | 4.00 | 4.22 | 4.23 | 4.23 | 4.24 | 4.47 | 4.48 | 4.49 | 4.49 | 4.74 | 4.75 | 4.76 | 4.76 |
| | 95 | TC | 42626 | 42684 | 42732 | 42789 | 45188 | 45242 | 45295 | 45349 | 47889 | 47951 | 48013 | 48067 | 50776 | 50831 | 50894 | 50957 |
| | | S/T | 0.53 | 0.63 | 0.71 | 0.81 | 0.57 | 0.66 | 0.75 | 0.86 | 0.60 | 0.70 | 0.80 | 0.91 | 0.64 | 0.75 | 0.85 | 0.97 |
| | | PI | 4.13 | 4.14 | 4.14 | 4.15 | 4.38 | 4.38 | 4.39 | 4.39 | 4.64 | 4.65 | 4.65 | 4.66 | 4.92 | 4.93 | 4.93 | 4.94 |
| | 104 | TC | 36602 | 36652 | 36693 | 36742 | 38802 | 38848 | 38894 | 38940 | 41121 | 41174 | 41228 | 41274 | 43600 | 43647 | 43702 | 43756 |
| | | S/T | 0.56 | 0.66 | 0.75 | 0.85 | 0.59 | 0.70 | 0.79 | 0.90 | 0.63 | 0.74 | 0.84 | 0.96 | 0.67 | 0.78 | 0.89 | 1.02 |
| | | PI | 8.67 | 8.68 | 8.69 | 8.70 | 9.19 | 9.20 | 9.21 | 9.23 | 9.74 | 9.75 | 9.77 | 9.78 | 10.33 | 10.34 | 10.35 | 10.37 |
| | 114.8 | TC | 29373 | 29413 | 29446 | 29486 | 31139 | 31176 | 31213 | 31250 | 33000 | 33043 | 33085 | 33122 | 34989 | 35027 | 35071 | 35114 |
| | | S/T | 0.57 | 0.67 | 0.76 | 0.86 | 0.60 | 0.71 | 0.80 | 0.91 | 0.64 | 0.75 | 0.85 | 0.97 | 0.68 | 0.79 | 0.90 | 1.03 |
| | | PI | 14.12 | 14.14 | 14.15 | 14.17 | 14.97 | 14.99 | 15.00 | 15.02 | 15.86 | 15.88 | 15.90 | 15.92 | 16.82 | 16.84 | 16.86 | 16.88 |
| 122 | TC | 24554 | 24587 | 24615 | 24648 | 26030 | 26061 | 26092 | 26123 | 27585 | 27621 | 27657 | 27688 | 29248 | 29280 | 29317 | 29353 | |
| | S/T | 0.59 | 0.69 | 0.78 | 0.89 | 0.62 | 0.73 | 0.83 | 0.95 | 0.66 | 0.77 | 0.88 | 1.00 | 0.70 | 0.82 | 0.93 | 1.06 | |
| | PI | 17.75 | 17.78 | 17.80 | 17.82 | 18.82 | 18.84 | 18.86 | 18.89 | 19.94 | 19.97 | 20.00 | 20.02 | 21.15 | 21.17 | 21.20 | 21.22 | |

DUCTED PLUS NON-DUCTED COOLING PERFORMANCE 48HH (Sheet 4 of 4)

| AIRFLOW (CFM) | OUTDOOR DB (°F) | ID WB (°F) ID DB (°F) | 60.8 | | | | 64.4 | | | | 66.2 | | | | 71.6 | | | |
|------------------|--------------------|--------------------------|-------|-------|-------|-------|-------|-------|-------|-------|-------|-------|-------|-------|-------|-------|-------|-------|
| | | | 73.4 | 77.0 | 80.6 | 84.2 | 73.4 | 77.0 | 80.6 | 84.2 | 73.4 | 77.0 | 80.0 | 84.20 | 73.4 | 77.0 | 80.6 | 84.2 |
| | | | TC | S/T | PI | TC | S/T | PI | TC | S/T | PI | TC | S/T | PI | TC | S/T | PI | TC |
| 1750 | -22 | TC | 50287 | 50354 | 50411 | 50479 | 53309 | 53372 | 53435 | 53499 | 56495 | 56568 | 56641 | 56705 | 59900 | 59965 | 60040 | 60115 |
| | | S/T | 0.50 | 0.58 | 0.66 | 0.76 | 0.53 | 0.62 | 0.70 | 0.80 | 0.56 | 0.66 | 0.74 | 0.85 | 0.59 | 0.69 | 0.79 | 0.90 |
| | | PI | 2.53 | 2.53 | 2.53 | 2.53 | 2.68 | 2.68 | 2.68 | 2.69 | 2.84 | 2.84 | 2.84 | 2.85 | 3.01 | 3.01 | 3.02 | 3.02 |
| | -10 | TC | 49660 | 49727 | 49783 | 49850 | 52645 | 52707 | 52770 | 52832 | 55791 | 55863 | 55936 | 55998 | 59154 | 59218 | 59292 | 59366 |
| | | S/T | 0.50 | 0.59 | 0.67 | 0.76 | 0.53 | 0.62 | 0.71 | 0.81 | 0.56 | 0.66 | 0.75 | 0.85 | 0.60 | 0.70 | 0.79 | 0.91 |
| | | PI | 2.71 | 2.71 | 2.72 | 2.72 | 2.87 | 2.88 | 2.88 | 2.88 | 3.04 | 3.05 | 3.05 | 3.05 | 3.23 | 3.23 | 3.23 | 3.24 |
| | 0 | TC | 49138 | 49204 | 49259 | 49325 | 52091 | 52153 | 52215 | 52277 | 55204 | 55276 | 55347 | 55409 | 58532 | 58595 | 58668 | 58741 |
| | | S/T | 0.50 | 0.59 | 0.67 | 0.77 | 0.53 | 0.63 | 0.71 | 0.81 | 0.57 | 0.66 | 0.75 | 0.86 | 0.60 | 0.70 | 0.80 | 0.91 |
| | | PI | 2.86 | 2.87 | 2.87 | 2.87 | 3.03 | 3.04 | 3.04 | 3.04 | 3.22 | 3.22 | 3.22 | 3.23 | 3.41 | 3.41 | 3.42 | 3.42 |
| | 5 | TC | 48877 | 48942 | 48997 | 49063 | 51814 | 51876 | 51937 | 51999 | 54911 | 54982 | 55053 | 55115 | 58221 | 58284 | 58357 | 58429 |
| | | S/T | 0.50 | 0.59 | 0.67 | 0.77 | 0.54 | 0.63 | 0.71 | 0.81 | 0.57 | 0.67 | 0.76 | 0.86 | 0.60 | 0.71 | 0.80 | 0.91 |
| | | PI | 2.94 | 2.94 | 2.95 | 2.95 | 3.12 | 3.12 | 3.12 | 3.13 | 3.30 | 3.31 | 3.31 | 3.31 | 3.50 | 3.50 | 3.51 | 3.51 |
| | 14 | TC | 48407 | 48472 | 48526 | 48592 | 51316 | 51377 | 51438 | 51499 | 54383 | 54453 | 54524 | 54585 | 57661 | 57724 | 57795 | 57867 |
| | | S/T | 0.51 | 0.60 | 0.68 | 0.77 | 0.54 | 0.63 | 0.72 | 0.82 | 0.57 | 0.67 | 0.76 | 0.87 | 0.60 | 0.71 | 0.81 | 0.92 |
| | | PI | 3.08 | 3.08 | 3.08 | 3.09 | 3.26 | 3.26 | 3.27 | 3.27 | 3.46 | 3.46 | 3.46 | 3.47 | 3.66 | 3.67 | 3.67 | 3.68 |
| | 17 | TC | 48250 | 48315 | 48369 | 48434 | 51150 | 51211 | 51271 | 51332 | 54207 | 54277 | 54348 | 54408 | 57474 | 57537 | 57608 | 57680 |
| | | S/T | 0.51 | 0.60 | 0.68 | 0.77 | 0.54 | 0.63 | 0.72 | 0.82 | 0.57 | 0.67 | 0.76 | 0.87 | 0.61 | 0.71 | 0.81 | 0.92 |
| | | PI | 3.12 | 3.13 | 3.13 | 3.13 | 3.31 | 3.31 | 3.32 | 3.32 | 3.51 | 3.51 | 3.52 | 3.52 | 3.72 | 3.72 | 3.73 | 3.73 |
| | 23 | TC | 48041 | 48106 | 48160 | 48225 | 50929 | 50989 | 51049 | 51110 | 53972 | 54042 | 54112 | 54173 | 57226 | 57288 | 57359 | 57431 |
| | | S/T | 0.51 | 0.60 | 0.68 | 0.78 | 0.54 | 0.63 | 0.72 | 0.82 | 0.57 | 0.67 | 0.76 | 0.87 | 0.61 | 0.71 | 0.81 | 0.92 |
| | | PI | 3.18 | 3.19 | 3.19 | 3.20 | 3.37 | 3.38 | 3.38 | 3.39 | 3.58 | 3.58 | 3.59 | 3.59 | 3.79 | 3.80 | 3.80 | 3.81 |
| | 32 | TC | 47728 | 47792 | 47846 | 47910 | 50596 | 50656 | 50716 | 50777 | 53620 | 53690 | 53759 | 53819 | 56852 | 56914 | 56985 | 57056 |
| | | S/T | 0.51 | 0.60 | 0.68 | 0.78 | 0.54 | 0.64 | 0.72 | 0.83 | 0.58 | 0.68 | 0.77 | 0.88 | 0.61 | 0.72 | 0.81 | 0.93 |
| | | PI | 3.28 | 3.28 | 3.28 | 3.29 | 3.47 | 3.48 | 3.48 | 3.48 | 3.68 | 3.68 | 3.69 | 3.69 | 3.90 | 3.91 | 3.91 | 3.92 |
| | 41 | TC | 47310 | 47374 | 47427 | 47491 | 50154 | 50213 | 50273 | 50332 | 53151 | 53220 | 53289 | 53348 | 56355 | 56416 | 56486 | 56557 |
| | | S/T | 0.52 | 0.60 | 0.69 | 0.78 | 0.55 | 0.64 | 0.73 | 0.83 | 0.58 | 0.68 | 0.77 | 0.88 | 0.61 | 0.72 | 0.82 | 0.93 |
| | | PI | 3.40 | 3.40 | 3.41 | 3.41 | 3.60 | 3.61 | 3.61 | 3.61 | 3.82 | 3.82 | 3.83 | 3.83 | 4.05 | 4.05 | 4.06 | 4.06 |
| | 47 | TC | 46997 | 47060 | 47113 | 47176 | 49821 | 49880 | 49940 | 49999 | 52799 | 52867 | 52936 | 52995 | 55982 | 56042 | 56112 | 56182 |
| | | S/T | 0.52 | 0.61 | 0.69 | 0.78 | 0.55 | 0.64 | 0.73 | 0.83 | 0.58 | 0.68 | 0.77 | 0.88 | 0.61 | 0.72 | 0.82 | 0.93 |
| | | PI | 3.49 | 3.49 | 3.50 | 3.50 | 3.70 | 3.70 | 3.71 | 3.71 | 3.92 | 3.93 | 3.93 | 3.93 | 4.16 | 4.16 | 4.17 | 4.17 |
| | 50 | TC | 46982 | 47045 | 47098 | 47161 | 49805 | 49864 | 49924 | 49983 | 52782 | 52850 | 52919 | 52978 | 55964 | 56024 | 56094 | 56164 |
| | | S/T | 0.52 | 0.61 | 0.69 | 0.79 | 0.55 | 0.64 | 0.73 | 0.83 | 0.58 | 0.68 | 0.78 | 0.88 | 0.62 | 0.72 | 0.82 | 0.94 |
| | | PI | 3.51 | 3.51 | 3.51 | 3.52 | 3.72 | 3.72 | 3.73 | 3.73 | 3.94 | 3.94 | 3.95 | 3.95 | 4.18 | 4.18 | 4.19 | 4.19 |
| | 59 | TC | 46937 | 47000 | 47052 | 47116 | 49758 | 49816 | 49876 | 49935 | 52731 | 52799 | 52868 | 52927 | 55910 | 55971 | 56040 | 56110 |
| | | S/T | 0.52 | 0.61 | 0.69 | 0.79 | 0.55 | 0.65 | 0.74 | 0.84 | 0.58 | 0.69 | 0.78 | 0.89 | 0.62 | 0.73 | 0.83 | 0.94 |
| | | PI | 3.56 | 3.56 | 3.56 | 3.57 | 3.77 | 3.77 | 3.78 | 3.78 | 4.00 | 4.00 | 4.01 | 4.01 | 4.24 | 4.24 | 4.25 | 4.25 |
| 68 | TC | 46891 | 46954 | 47007 | 47070 | 49710 | 49769 | 49828 | 49887 | 52680 | 52749 | 52817 | 52876 | 55856 | 55917 | 55986 | 56056 | |
| | S/T | 0.52 | 0.61 | 0.70 | 0.79 | 0.55 | 0.65 | 0.74 | 0.84 | 0.59 | 0.69 | 0.78 | 0.89 | 0.62 | 0.73 | 0.83 | 0.95 | |
| | PI | 3.61 | 3.61 | 3.61 | 3.62 | 3.82 | 3.83 | 3.83 | 3.84 | 4.05 | 4.06 | 4.06 | 4.07 | 4.30 | 4.30 | 4.31 | 4.31 | |
| 77 | TC | 46846 | 46909 | 46962 | 47025 | 49662 | 49721 | 49779 | 49839 | 52629 | 52698 | 52766 | 52825 | 55802 | 55863 | 55932 | 56002 | |
| | S/T | 0.54 | 0.63 | 0.72 | 0.82 | 0.57 | 0.67 | 0.76 | 0.86 | 0.60 | 0.71 | 0.80 | 0.92 | 0.64 | 0.75 | 0.85 | 0.97 | |
| | PI | 3.66 | 3.66 | 3.67 | 3.67 | 3.88 | 3.88 | 3.88 | 3.89 | 4.11 | 4.11 | 4.12 | 4.12 | 4.36 | 4.36 | 4.37 | 4.37 | |
| 86 | TC | 44996 | 45056 | 45107 | 45168 | 47700 | 47757 | 47813 | 47870 | 50551 | 50616 | 50682 | 50739 | 53598 | 53656 | 53723 | 53790 | |
| | S/T | 0.54 | 0.64 | 0.72 | 0.83 | 0.58 | 0.68 | 0.77 | 0.88 | 0.61 | 0.72 | 0.81 | 0.93 | 0.65 | 0.76 | 0.86 | 0.98 | |
| | PI | 4.16 | 4.17 | 4.17 | 4.18 | 4.41 | 4.42 | 4.42 | 4.43 | 4.67 | 4.68 | 4.69 | 4.69 | 4.96 | 4.96 | 4.97 | 4.97 | |
| 95 | TC | 44534 | 44594 | 44644 | 44704 | 47211 | 47267 | 47323 | 47379 | 50032 | 50097 | 50162 | 50218 | 53048 | 53106 | 53172 | 53238 | |
| | S/T | 0.56 | 0.65 | 0.74 | 0.85 | 0.59 | 0.69 | 0.79 | 0.90 | 0.63 | 0.74 | 0.84 | 0.95 | 0.66 | 0.78 | 0.89 | 1.01 | |
| | PI | 4.32 | 4.32 | 4.33 | 4.33 | 4.58 | 4.58 | 4.59 | 4.59 | 4.85 | 4.85 | 4.86 | 4.87 | 5.14 | 5.15 | 5.15 | 5.16 | |
| 104 | TC | 38241 | 38292 | 38335 | 38387 | 40539 | 40587 | 40635 | 40683 | 42961 | 43017 | 43073 | 43121 | 45551 | 45601 | 45658 | 45714 | |
| | S/T | 0.59 | 0.69 | 0.78 | 0.89 | 0.62 | 0.73 | 0.83 | 0.94 | 0.66 | 0.77 | 0.88 | 1.00 | 0.70 | 0.82 | 0.93 | 1.06 | |
| | PI | 9.06 | 9.07 | 9.08 | 9.09 | 9.60 | 9.62 | 9.63 | 9.64 | 10.18 | 10.19 | 10.20 | 10.22 | 10.79 | 10.80 | 10.82 | 10.83 | |
| 114.8 | TC | 30688 | 30729 | 30764 | 30805 | 32533 | 32571 | 32610 | 32648 | 34477 | 34521 | 34566 | 34605 | 36555 | 36595 | 36640 | 36686 | |
| | S/T | 0.59 | 0.70 | 0.79 | 0.90 | 0.63 | 0.74 | 0.84 | 0.95 | 0.67 | 0.78 | 0.89 | 1.01 | 0.71 | 0.83 | 0.94 | 1.07 | |
| | PI | 14.75 | 14.77 | 14.79 | 14.81 | 15.64 | 15.66 | 15.68 | 15.69 | 16.57 | 16.59 | 16.62 | 16.63 | 17.57 | 17.59 | 17.61 | 17.64 | |
| 122 | TC | 25653 | 25688 | 25717 | 25751 | 27195 | 27227 | 27260 | 27292 | 28820 | 28858 | 28895 | 28927 | 30558 | 30591 | 30629 | 30667 | |
| | S/T | 0.61 | 0.72 | 0.82 | 0.93 | 0.65 | 0.76 | 0.87 | 0.99 | 0.69 | 0.81 | 0.92 | 1.05 | 0.73 | 0.86 | 0.97 | 1.11 | |
| | PI | 18.55 | 18.57 | 18.59 | 18.62 | 19.66 | 19.69 | 19.71 | 19.73 | 20.84 | 20.86 | 20.89 | 20.91 | 22.09 | 22.12 | 22.14 | 22.17 | |

NOTE: Data highlighted in gray is extrapolated data and not actual test data. At 77°F outdoor conditions sweat protection activates causing a decrease in total capacity.

LEGEND

- TC - Total Net Capacity (Btu/hour)
- S/T: Sensible Cooling Capacity Ratio
- PI: Power Input (kW)
- Extrapolated Data

HEATING PERFORMANCE DUCTED PLUS NON-DUCTED

“HEATING PERFORMANCE 18R (STANDARD)” on page 75 “HEATING PERFORMANCE 36HH (HIGH HEAT)” on page 80
 “HEATING PERFORMANCE 24HH (HIGH HEAT)” on page 77 “HEATING PERFORMANCE 48R (STANDARD)” on page 81
 “HEATING PERFORMANCE 30HH (HIGH HEAT)” on page 78 “HEATING PERFORMANCE 48HH (HIGH HEAT)” on page 82
 “HEATING PERFORMANCE 36R (STANDARD)” on page 79

HEATING PERFORMANCE 18R (STANDARD)

DUCTED PLUS NON-DUCTED HEATING PERFORMANCE 18R

| AIRFLOW (CFM) | OUTDOOR DB (°F) | TC : Total Heating Capacity (BTU/hr) | | | | | PI : Power Input (kW) | | | | |
|------------------|--------------------|--------------------------------------|-------|-------|-------|-------|---------------------------|------|-------|------|------|
| | | Indoor Conditions (DB °F) | | | | | Indoor Conditions (DB °F) | | | | |
| | | 60.8 | 68.0 | 70.0 | 71.6 | 75.2 | 60.8 | 68.0 | 70.00 | 71.6 | 75.2 |
| 328 | -22.0 | 4523 | 4433 | 4410 | 4322 | 4283 | 2.33 | 2.35 | 2.35 | 2.36 | 2.37 |
| | -10.0 | 5475 | 5365 | 5339 | 5232 | 5185 | 2.23 | 2.25 | 2.26 | 2.26 | 2.27 |
| | 0.0 | 6268 | 6143 | 6112 | 5990 | 5936 | 2.15 | 2.17 | 2.18 | 2.18 | 2.19 |
| | 5.0 | 6665 | 6531 | 6499 | 6369 | 6311 | 2.11 | 2.13 | 2.13 | 2.14 | 2.15 |
| | 14.0 | 7379 | 7231 | 7195 | 7051 | 6988 | 2.04 | 2.06 | 2.06 | 2.07 | 2.07 |
| | 17.0 | 7617 | 7464 | 7427 | 7278 | 7213 | 2.02 | 2.03 | 2.04 | 2.04 | 2.05 |
| | 22.0 | 7712 | 7558 | 7520 | 7369 | 7303 | 2.00 | 2.02 | 2.02 | 2.03 | 2.04 |
| | 27.0 | 7807 | 7651 | 7613 | 7460 | 7393 | 1.99 | 2.01 | 2.01 | 2.01 | 2.02 |
| | 32.0 | 7902 | 7744 | 7705 | 7551 | 7483 | 1.98 | 1.99 | 2.00 | 2.00 | 2.01 |
| | 37.0 | 8537 | 8366 | 8324 | 8158 | 8084 | 1.96 | 1.98 | 1.98 | 1.98 | 1.99 |
| | 42.0 | 9980 | 9781 | 9732 | 9537 | 9451 | 1.95 | 1.96 | 1.97 | 1.97 | 1.98 |
| | 44.6 | 10558 | 10347 | 10295 | 10089 | 9998 | 1.94 | 1.95 | 1.96 | 1.96 | 1.97 |
| | 47.0 | 11424 | 11196 | 11140 | 10917 | 10819 | 1.92 | 1.94 | 1.94 | 1.94 | 1.95 |
| | 52.0 | 12868 | 12610 | 12547 | 12296 | 12186 | 1.90 | 1.92 | 1.92 | 1.92 | 1.93 |
| | 57.0 | 14311 | 14025 | 13955 | 13676 | 13553 | 1.88 | 1.90 | 1.90 | 1.90 | 1.91 |
| | 62.0 | 15755 | 15440 | 15363 | 15055 | 14920 | 1.86 | 1.88 | 1.88 | 1.88 | 1.89 |
| 64.4 | 16332 | 16006 | 15926 | 15607 | 15467 | 1.85 | 1.87 | 1.87 | 1.88 | 1.88 | |
| 427 | -22.0 | 6548 | 6417 | 6385 | 6257 | 6201 | 2.35 | 2.37 | 2.38 | 2.38 | 2.39 |
| | -10.0 | 7926 | 7768 | 7729 | 7574 | 7506 | 2.26 | 2.27 | 2.28 | 2.28 | 2.29 |
| | 0.0 | 9074 | 8893 | 8849 | 8672 | 8594 | 2.18 | 2.19 | 2.20 | 2.20 | 2.21 |
| | 5.0 | 9649 | 9456 | 9408 | 9220 | 9137 | 2.13 | 2.15 | 2.16 | 2.16 | 2.17 |
| | 14.0 | 10682 | 10469 | 10416 | 10208 | 10116 | 2.06 | 2.08 | 2.08 | 2.09 | 2.10 |
| | 17.0 | 11027 | 10806 | 10752 | 10537 | 10442 | 2.04 | 2.05 | 2.06 | 2.06 | 2.07 |
| | 22.0 | 11165 | 10941 | 10887 | 10669 | 10573 | 2.02 | 2.04 | 2.04 | 2.05 | 2.06 |
| | 27.0 | 11302 | 11076 | 11021 | 10801 | 10703 | 2.01 | 2.03 | 2.03 | 2.04 | 2.04 |
| | 32.0 | 11440 | 11211 | 11155 | 10932 | 10834 | 2.00 | 2.01 | 2.02 | 2.02 | 2.03 |
| | 37.0 | 12359 | 12112 | 12051 | 11810 | 11704 | 1.98 | 2.00 | 2.00 | 2.01 | 2.01 |
| | 42.0 | 14449 | 14160 | 14089 | 13807 | 13683 | 1.97 | 1.98 | 1.99 | 1.99 | 2.00 |
| | 44.6 | 15285 | 14979 | 14904 | 14606 | 14475 | 1.96 | 1.97 | 1.98 | 1.98 | 1.99 |
| | 47.0 | 16539 | 16208 | 16127 | 15805 | 15662 | 1.94 | 1.96 | 1.96 | 1.96 | 1.97 |
| | 52.0 | 18629 | 18256 | 18165 | 17802 | 17642 | 1.92 | 1.94 | 1.94 | 1.94 | 1.95 |
| | 57.0 | 20719 | 20305 | 20203 | 19799 | 19621 | 1.90 | 1.92 | 1.92 | 1.92 | 1.93 |
| | 62.0 | 22809 | 22353 | 22241 | 21796 | 21600 | 1.88 | 1.90 | 1.90 | 1.90 | 1.91 |
| 64.4 | 23645 | 23172 | 23056 | 22595 | 22392 | 1.87 | 1.89 | 1.89 | 1.89 | 1.90 | |
| 640 | -22.0 | 9646 | 9453 | 9406 | 9218 | 9135 | 2.38 | 2.40 | 2.40 | 2.41 | 2.42 |
| | -10.0 | 11676 | 11442 | 11385 | 11157 | 11057 | 2.28 | 2.30 | 2.30 | 2.31 | 2.32 |
| | 0.0 | 13368 | 13100 | 13035 | 12774 | 12659 | 2.20 | 2.21 | 2.22 | 2.22 | 2.23 |
| | 5.0 | 14213 | 13929 | 13859 | 13582 | 13460 | 2.16 | 2.17 | 2.18 | 2.18 | 2.19 |
| | 14.0 | 15736 | 15421 | 15344 | 15037 | 14902 | 2.08 | 2.10 | 2.10 | 2.11 | 2.12 |
| | 17.0 | 16243 | 15918 | 15839 | 15522 | 15382 | 2.06 | 2.07 | 2.08 | 2.08 | 2.09 |
| | 22.0 | 16446 | 16117 | 16037 | 15716 | 15575 | 2.04 | 2.06 | 2.07 | 2.07 | 2.08 |
| | 27.0 | 16649 | 16316 | 16235 | 15910 | 15767 | 2.03 | 2.05 | 2.05 | 2.06 | 2.06 |
| | 32.0 | 16852 | 16515 | 16433 | 16104 | 15959 | 2.02 | 2.03 | 2.04 | 2.04 | 2.05 |
| | 37.0 | 18206 | 17842 | 17752 | 17397 | 17241 | 2.00 | 2.02 | 2.02 | 2.03 | 2.03 |
| | 42.0 | 21285 | 20859 | 20755 | 20339 | 20156 | 1.99 | 2.00 | 2.01 | 2.01 | 2.02 |
| | 44.6 | 22516 | 22066 | 21955 | 21516 | 21323 | 1.98 | 1.99 | 2.00 | 2.00 | 2.01 |
| | 47.0 | 24363 | 23876 | 23757 | 23281 | 23072 | 1.96 | 1.98 | 1.98 | 1.98 | 1.99 |
| | 52.0 | 27442 | 26893 | 26759 | 26224 | 25988 | 1.94 | 1.96 | 1.96 | 1.96 | 1.97 |
| | 57.0 | 30521 | 29910 | 29761 | 29166 | 28903 | 1.92 | 1.93 | 1.94 | 1.94 | 1.95 |
| | 62.0 | 33600 | 32928 | 32763 | 32108 | 31819 | 1.90 | 1.91 | 1.92 | 1.92 | 1.93 |
| 64.4 | 34831 | 34134 | 33964 | 33284 | 32985 | 1.89 | 1.91 | 1.91 | 1.91 | 1.92 | |

DUCTED PLUS NON-DUCTED HEATING PERFORMANCE 18R

| AIRFLOW (CFM) | OUTDOOR DB (°F) | TC : Total Heating Capacity (BTU/hr) | | | | | PI : Power Input (kW) | | | | |
|------------------|--------------------|--------------------------------------|-------|-------|-------|-------|---------------------------|------|-------|------|------|
| | | Indoor Conditions (DB °F) | | | | | Indoor Conditions (DB °F) | | | | |
| | | 60.8 | 68.0 | 70.0 | 71.6 | 75.2 | 60.8 | 68.0 | 70.00 | 71.6 | 75.2 |
| 700 | -22.0 | 9882 | 9684 | 9636 | 9443 | 9358 | 2.40 | 2.42 | 2.42 | 2.43 | 2.44 |
| | -10.0 | 11962 | 11722 | 11664 | 11430 | 11328 | 2.30 | 2.32 | 2.32 | 2.33 | 2.34 |
| | 0.0 | 13695 | 13421 | 13354 | 13087 | 12969 | 2.22 | 2.24 | 2.24 | 2.25 | 2.25 |
| | 5.0 | 14561 | 14270 | 14199 | 13915 | 13789 | 2.18 | 2.20 | 2.20 | 2.20 | 2.21 |
| | 14.0 | 16121 | 15798 | 15719 | 15405 | 15266 | 2.10 | 2.12 | 2.12 | 2.13 | 2.14 |
| | 17.0 | 16641 | 16308 | 16226 | 15902 | 15759 | 2.08 | 2.10 | 2.10 | 2.10 | 2.11 |
| | 22.0 | 16849 | 16512 | 16429 | 16101 | 15956 | 2.07 | 2.08 | 2.09 | 2.09 | 2.10 |
| | 27.0 | 17057 | 16716 | 16632 | 16299 | 16153 | 2.05 | 2.07 | 2.07 | 2.08 | 2.08 |
| | 32.0 | 17265 | 16920 | 16835 | 16498 | 16350 | 2.04 | 2.05 | 2.06 | 2.06 | 2.07 |
| | 37.0 | 18651 | 18278 | 18187 | 17823 | 17663 | 2.02 | 2.04 | 2.04 | 2.05 | 2.05 |
| | 42.0 | 21805 | 21369 | 21262 | 20837 | 20650 | 2.01 | 2.02 | 2.03 | 2.03 | 2.04 |
| | 44.6 | 23067 | 22606 | 22493 | 22043 | 21844 | 2.00 | 2.01 | 2.02 | 2.02 | 2.03 |
| | 47.0 | 24959 | 24460 | 24338 | 23851 | 23637 | 1.98 | 2.00 | 2.00 | 2.00 | 2.01 |
| | 52.0 | 28114 | 27551 | 27414 | 26865 | 26623 | 1.96 | 1.98 | 1.98 | 1.98 | 1.99 |
| | 57.0 | 31268 | 30642 | 30489 | 29879 | 29610 | 1.94 | 1.95 | 1.96 | 1.96 | 1.97 |
| 62.0 | 34422 | 33733 | 33565 | 32893 | 32597 | 1.92 | 1.93 | 1.94 | 1.94 | 1.95 | |
| 64.4 | 35683 | 34970 | 34795 | 34099 | 33792 | 1.91 | 1.93 | 1.93 | 1.93 | 1.94 | |

NOTE: Data highlighted in gray is extrapolated data and not actual test data.

HEATING PERFORMANCE DUCTED PLUS NON-DUCTED

HEATING PERFORMANCE 24HH (HIGH HEAT)

DUCTED PLUS NON-DUCTED HEATING PERFORMANCE 24HH

| AIRFLOW (CFM) | OUTDOOR DB (°F) | TC : Total Heating Capacity (BTU/hr) | | | | | PI : Power Input (kW) | | | | |
|------------------|--------------------|--------------------------------------|-------|-------|-------|-------|---------------------------|------|-------|------|------|
| | | Indoor Conditions (DB °F) | | | | | Indoor Conditions (DB °F) | | | | |
| | | 60.8 | 68.0 | 70.0 | 71.6 | 75.2 | 60.8 | 68.0 | 70.00 | 71.6 | 75.2 |
| 492 | -22.0 | 6735 | 6601 | 6568 | 6436 | 6378 | 3.61 | 3.64 | 3.65 | 3.66 | 3.67 |
| | -10.0 | 7973 | 7814 | 7775 | 7619 | 7551 | 3.37 | 3.40 | 3.41 | 3.42 | 3.43 |
| | 0.0 | 9005 | 8824 | 8780 | 8605 | 8527 | 3.17 | 3.20 | 3.21 | 3.21 | 3.23 |
| | 5.0 | 9520 | 9330 | 9283 | 9098 | 9016 | 3.07 | 3.10 | 3.10 | 3.11 | 3.12 |
| | 14.0 | 10449 | 10240 | 10188 | 9985 | 9895 | 2.89 | 2.92 | 2.92 | 2.93 | 2.94 |
| | 17.0 | 10758 | 10543 | 10490 | 10280 | 10188 | 2.83 | 2.86 | 2.86 | 2.87 | 2.88 |
| | 22.0 | 11018 | 10798 | 10744 | 10529 | 10434 | 2.83 | 2.85 | 2.85 | 2.86 | 2.87 |
| | 27.0 | 11279 | 11053 | 10998 | 10778 | 10681 | 2.82 | 2.84 | 2.85 | 2.85 | 2.86 |
| | 32.0 | 11539 | 11308 | 11252 | 11027 | 10928 | 2.81 | 2.83 | 2.84 | 2.84 | 2.86 |
| | 37.0 | 12444 | 12195 | 12134 | 11891 | 11784 | 2.80 | 2.82 | 2.83 | 2.84 | 2.85 |
| | 42.0 | 14314 | 14028 | 13958 | 13679 | 13556 | 2.80 | 2.82 | 2.82 | 2.83 | 2.84 |
| | 44.6 | 15063 | 14761 | 14688 | 14394 | 14264 | 2.79 | 2.82 | 2.82 | 2.83 | 2.84 |
| | 47.0 | 16185 | 15861 | 15782 | 15466 | 15327 | 2.79 | 2.81 | 2.81 | 2.82 | 2.83 |
| | 52.0 | 18056 | 17695 | 17606 | 17254 | 17099 | 2.78 | 2.80 | 2.81 | 2.81 | 2.82 |
| | 57.0 | 19926 | 19528 | 19430 | 19042 | 18870 | 2.77 | 2.79 | 2.80 | 2.80 | 2.81 |
| 62.0 | 21797 | 21361 | 21254 | 20829 | 20642 | 2.76 | 2.78 | 2.79 | 2.80 | 2.81 | |
| 64.4 | 22545 | 22095 | 21984 | 21544 | 21350 | 2.76 | 2.78 | 2.79 | 2.79 | 2.80 | |
| 640 | -22.0 | 9747 | 9552 | 9504 | 9314 | 9230 | 3.65 | 3.68 | 3.69 | 3.70 | 3.71 |
| | -10.0 | 11538 | 11308 | 11251 | 11026 | 10927 | 3.41 | 3.44 | 3.44 | 3.45 | 3.46 |
| | 0.0 | 13031 | 12770 | 12706 | 12452 | 12340 | 3.21 | 3.23 | 3.24 | 3.24 | 3.26 |
| | 5.0 | 13777 | 13502 | 13434 | 13166 | 13047 | 3.10 | 3.13 | 3.14 | 3.14 | 3.16 |
| | 14.0 | 15121 | 14818 | 14744 | 14449 | 14319 | 2.92 | 2.95 | 2.95 | 2.96 | 2.97 |
| | 17.0 | 15569 | 15257 | 15181 | 14877 | 14743 | 2.86 | 2.89 | 2.89 | 2.90 | 2.91 |
| | 22.0 | 15945 | 15626 | 15548 | 15237 | 15100 | 2.85 | 2.88 | 2.88 | 2.89 | 2.90 |
| | 27.0 | 16322 | 15996 | 15916 | 15597 | 15457 | 2.85 | 2.87 | 2.87 | 2.88 | 2.89 |
| | 32.0 | 16699 | 16365 | 16283 | 15957 | 15814 | 2.84 | 2.86 | 2.87 | 2.87 | 2.88 |
| | 37.0 | 18008 | 17648 | 17559 | 17208 | 17053 | 2.83 | 2.85 | 2.86 | 2.86 | 2.88 |
| | 42.0 | 20715 | 20301 | 20199 | 19795 | 19617 | 2.82 | 2.85 | 2.85 | 2.86 | 2.87 |
| | 44.6 | 21798 | 21362 | 21255 | 20830 | 20642 | 2.82 | 2.84 | 2.85 | 2.86 | 2.87 |
| | 47.0 | 23422 | 22954 | 22839 | 22382 | 22181 | 2.81 | 2.84 | 2.84 | 2.85 | 2.86 |
| | 52.0 | 26129 | 25607 | 25479 | 24969 | 24744 | 2.81 | 2.83 | 2.83 | 2.84 | 2.85 |
| | 57.0 | 28837 | 28260 | 28118 | 27556 | 27308 | 2.80 | 2.82 | 2.83 | 2.83 | 2.84 |
| 62.0 | 31544 | 30913 | 30758 | 30143 | 29872 | 2.79 | 2.81 | 2.82 | 2.82 | 2.83 | |
| 64.4 | 32627 | 31974 | 31814 | 31178 | 30897 | 2.79 | 2.81 | 2.81 | 2.82 | 2.83 | |
| 960 | -22.0 | 14364 | 14077 | 14006 | 13726 | 13603 | 3.69 | 3.72 | 3.72 | 3.73 | 3.75 |
| | -10.0 | 17004 | 16664 | 16580 | 16249 | 16102 | 3.44 | 3.47 | 3.48 | 3.48 | 3.50 |
| | 0.0 | 19203 | 18819 | 18725 | 18351 | 18186 | 3.24 | 3.26 | 3.27 | 3.28 | 3.29 |
| | 5.0 | 20303 | 19897 | 19798 | 19402 | 19227 | 3.14 | 3.16 | 3.17 | 3.17 | 3.19 |
| | 14.0 | 22283 | 21837 | 21728 | 21294 | 21102 | 2.95 | 2.98 | 2.98 | 2.99 | 3.00 |
| | 17.0 | 22943 | 22484 | 22372 | 21924 | 21727 | 2.89 | 2.91 | 2.92 | 2.93 | 2.94 |
| | 22.0 | 23498 | 23028 | 22913 | 22455 | 22253 | 2.88 | 2.91 | 2.91 | 2.92 | 2.93 |
| | 27.0 | 24053 | 23572 | 23454 | 22985 | 22779 | 2.87 | 2.90 | 2.90 | 2.91 | 2.92 |
| | 32.0 | 24609 | 24116 | 23996 | 23516 | 23304 | 2.87 | 2.89 | 2.90 | 2.90 | 2.91 |
| | 37.0 | 26538 | 26007 | 25877 | 25359 | 25131 | 2.86 | 2.88 | 2.89 | 2.89 | 2.90 |
| | 42.0 | 30527 | 29917 | 29767 | 29172 | 28909 | 2.85 | 2.88 | 2.88 | 2.89 | 2.90 |
| | 44.6 | 32123 | 31480 | 31323 | 30697 | 30420 | 2.85 | 2.87 | 2.88 | 2.88 | 2.90 |
| | 47.0 | 34517 | 33826 | 33657 | 32984 | 32687 | 2.84 | 2.87 | 2.87 | 2.88 | 2.89 |
| | 52.0 | 38506 | 37736 | 37547 | 36796 | 36465 | 2.83 | 2.86 | 2.86 | 2.87 | 2.88 |
| | 57.0 | 42496 | 41646 | 41438 | 40609 | 40243 | 2.83 | 2.85 | 2.85 | 2.86 | 2.87 |
| 62.0 | 46485 | 45556 | 45328 | 44421 | 44021 | 2.82 | 2.84 | 2.85 | 2.85 | 2.86 | |
| 64.4 | 48081 | 47119 | 46884 | 45946 | 45533 | 2.81 | 2.84 | 2.84 | 2.85 | 2.86 | |
| 1050 | -22.0 | 14716 | 14421 | 14349 | 14062 | 13936 | 3.72 | 3.75 | 3.76 | 3.77 | 3.78 |
| | -10.0 | 17420 | 17071 | 16986 | 16646 | 16497 | 3.48 | 3.51 | 3.51 | 3.52 | 3.53 |
| | 0.0 | 19673 | 19280 | 19183 | 18800 | 18631 | 3.27 | 3.30 | 3.30 | 3.31 | 3.32 |
| | 5.0 | 20800 | 20384 | 20282 | 19877 | 19698 | 3.17 | 3.19 | 3.20 | 3.21 | 3.22 |
| | 14.0 | 22828 | 22372 | 22260 | 21815 | 21618 | 2.98 | 3.01 | 3.01 | 3.02 | 3.03 |
| | 17.0 | 23504 | 23034 | 22919 | 22461 | 22259 | 2.92 | 2.94 | 2.95 | 2.96 | 2.97 |
| | 22.0 | 24073 | 23592 | 23474 | 23004 | 22797 | 2.91 | 2.94 | 2.94 | 2.95 | 2.96 |
| | 27.0 | 24642 | 24149 | 24028 | 23548 | 23336 | 2.90 | 2.93 | 2.93 | 2.94 | 2.95 |
| | 32.0 | 25211 | 24707 | 24583 | 24091 | 23875 | 2.90 | 2.92 | 2.92 | 2.93 | 2.94 |
| | 37.0 | 27187 | 26643 | 26510 | 25980 | 25746 | 2.89 | 2.91 | 2.92 | 2.92 | 2.93 |
| | 42.0 | 31274 | 30649 | 30495 | 29886 | 29617 | 2.88 | 2.90 | 2.91 | 2.92 | 2.93 |
| | 44.6 | 32909 | 32251 | 32090 | 31448 | 31165 | 2.88 | 2.90 | 2.91 | 2.91 | 2.92 |
| | 47.0 | 35361 | 34654 | 34481 | 33791 | 33487 | 2.87 | 2.89 | 2.90 | 2.91 | 2.92 |
| | 52.0 | 39448 | 38659 | 38466 | 37697 | 37358 | 2.86 | 2.89 | 2.89 | 2.90 | 2.91 |
| | 57.0 | 43536 | 42665 | 42452 | 41603 | 41228 | 2.85 | 2.88 | 2.88 | 2.89 | 2.90 |
| 62.0 | 47623 | 46670 | 46437 | 45508 | 45099 | 2.85 | 2.87 | 2.87 | 2.88 | 2.89 | |
| 64.4 | 49258 | 48272 | 48031 | 47071 | 46647 | 2.84 | 2.87 | 2.87 | 2.88 | 2.89 | |

NOTE: Data highlighted in gray is extrapolated data and not actual test data.

Manufacturer reserves the right to change, at any time, specifications and designs without notice and without obligations.

HEATING PERFORMANCE DUCTED PLUS NON-DUCTED

HEATING PERFORMANCE 30HH (HIGH HEAT)

DUCTED PLUS NON-DUCTED HEATING PERFORMANCE 30HH

| AIRFLOW (CFM) | OUTDOOR DB (°F) | TC : Total Heating Capacity (BTU/hr) | | | | | PI : Power Input (kW) | | | | |
|------------------|--------------------|--------------------------------------|-------|-------|-------|-------|---------------------------|------|-------|------|------|
| | | Indoor Conditions (DB °F) | | | | | Indoor Conditions (DB °F) | | | | |
| | | 60.8 | 68.0 | 70.0 | 71.6 | 75.2 | 60.8 | 68.0 | 70.00 | 71.6 | 75.2 |
| 656 | -22.0 | 6189 | 6065 | 6035 | 5914 | 5861 | 3.49 | 3.52 | 3.53 | 3.54 | 3.55 |
| | -10.0 | 7970 | 7811 | 7772 | 7616 | 7548 | 3.46 | 3.49 | 3.50 | 3.50 | 3.52 |
| | 0.0 | 9454 | 9265 | 9219 | 9035 | 8953 | 3.43 | 3.46 | 3.47 | 3.48 | 3.49 |
| | 5.0 | 10196 | 9993 | 9943 | 9744 | 9656 | 3.42 | 3.45 | 3.46 | 3.46 | 3.48 |
| | 14.0 | 11532 | 11302 | 11245 | 11020 | 10921 | 3.40 | 3.42 | 3.43 | 3.44 | 3.45 |
| | 17.0 | 11978 | 11738 | 11679 | 11446 | 11343 | 3.39 | 3.42 | 3.42 | 3.43 | 3.44 |
| | 22.0 | 12486 | 12236 | 12175 | 11931 | 11824 | 3.38 | 3.41 | 3.42 | 3.42 | 3.44 |
| | 27.0 | 12994 | 12734 | 12670 | 12417 | 12305 | 3.37 | 3.40 | 3.41 | 3.42 | 3.43 |
| | 32.0 | 13502 | 13232 | 13166 | 12903 | 12786 | 3.37 | 3.40 | 3.40 | 3.41 | 3.42 |
| | 37.0 | 14473 | 14184 | 14113 | 13831 | 13706 | 3.36 | 3.39 | 3.40 | 3.40 | 3.42 |
| | 42.0 | 16139 | 15816 | 15737 | 15422 | 15283 | 3.36 | 3.38 | 3.39 | 3.40 | 3.41 |
| | 44.6 | 16805 | 16469 | 16386 | 16059 | 15914 | 3.35 | 3.38 | 3.39 | 3.39 | 3.41 |
| | 47.0 | 17804 | 17448 | 17361 | 17014 | 16860 | 3.35 | 3.37 | 3.38 | 3.39 | 3.40 |
| | 52.0 | 19470 | 19080 | 18985 | 18605 | 18438 | 3.34 | 3.37 | 3.37 | 3.38 | 3.39 |
| | 57.0 | 21135 | 20712 | 20609 | 20197 | 20015 | 3.33 | 3.36 | 3.37 | 3.37 | 3.39 |
| 62.0 | 22800 | 22344 | 22233 | 21788 | 21592 | 3.33 | 3.35 | 3.36 | 3.37 | 3.38 | |
| 64.4 | 23467 | 22997 | 22882 | 22425 | 22223 | 3.32 | 3.35 | 3.36 | 3.36 | 3.38 | |
| 854 | -22.0 | 8960 | 8781 | 8737 | 8562 | 8485 | 3.53 | 3.56 | 3.57 | 3.57 | 3.59 |
| | -10.0 | 11538 | 11308 | 11251 | 11026 | 10927 | 3.50 | 3.53 | 3.53 | 3.54 | 3.55 |
| | 0.0 | 13687 | 13414 | 13346 | 13080 | 12962 | 3.47 | 3.50 | 3.50 | 3.51 | 3.53 |
| | 5.0 | 14762 | 14466 | 14394 | 14106 | 13979 | 3.46 | 3.48 | 3.49 | 3.50 | 3.51 |
| | 14.0 | 16696 | 16362 | 16280 | 15954 | 15811 | 3.43 | 3.46 | 3.47 | 3.47 | 3.49 |
| | 17.0 | 17340 | 16993 | 16908 | 16570 | 16421 | 3.42 | 3.45 | 3.46 | 3.46 | 3.48 |
| | 22.0 | 18076 | 17714 | 17626 | 17273 | 17118 | 3.42 | 3.44 | 3.45 | 3.46 | 3.47 |
| | 27.0 | 18812 | 18435 | 18343 | 17976 | 17815 | 3.41 | 3.44 | 3.44 | 3.45 | 3.46 |
| | 32.0 | 19547 | 19156 | 19061 | 18679 | 18511 | 3.40 | 3.43 | 3.44 | 3.44 | 3.46 |
| | 37.0 | 20953 | 20534 | 20431 | 20023 | 19843 | 3.40 | 3.42 | 3.43 | 3.44 | 3.45 |
| | 42.0 | 23364 | 22897 | 22783 | 22327 | 22126 | 3.39 | 3.42 | 3.42 | 3.43 | 3.44 |
| | 44.6 | 24329 | 23842 | 23723 | 23249 | 23039 | 3.39 | 3.42 | 3.42 | 3.43 | 3.44 |
| | 47.0 | 25775 | 25260 | 25134 | 24631 | 24409 | 3.38 | 3.41 | 3.42 | 3.42 | 3.44 |
| | 52.0 | 28187 | 27623 | 27485 | 26935 | 26693 | 3.37 | 3.40 | 3.41 | 3.42 | 3.43 |
| | 57.0 | 30598 | 29986 | 29836 | 29239 | 28976 | 3.37 | 3.39 | 3.40 | 3.41 | 3.42 |
| 62.0 | 33009 | 32349 | 32187 | 31543 | 31259 | 3.36 | 3.39 | 3.39 | 3.40 | 3.42 | |
| 64.4 | 33973 | 33294 | 33127 | 32465 | 32173 | 3.36 | 3.39 | 3.39 | 3.40 | 3.41 | |
| 1280 | -22.0 | 13199 | 12935 | 12870 | 12613 | 12499 | 3.57 | 3.59 | 3.60 | 3.61 | 3.62 |
| | -10.0 | 16997 | 16657 | 16574 | 16243 | 16096 | 3.53 | 3.56 | 3.57 | 3.58 | 3.59 |
| | 0.0 | 20163 | 19759 | 19661 | 19267 | 19094 | 3.50 | 3.53 | 3.54 | 3.55 | 3.56 |
| | 5.0 | 21745 | 21310 | 21204 | 20780 | 20593 | 3.49 | 3.52 | 3.53 | 3.53 | 3.55 |
| | 14.0 | 24594 | 24102 | 23982 | 23502 | 23291 | 3.47 | 3.49 | 3.50 | 3.51 | 3.52 |
| | 17.0 | 25544 | 25033 | 24908 | 24409 | 24190 | 3.46 | 3.49 | 3.49 | 3.50 | 3.51 |
| | 22.0 | 26627 | 26095 | 25964 | 25445 | 25216 | 3.45 | 3.48 | 3.49 | 3.49 | 3.51 |
| | 27.0 | 27711 | 27157 | 27021 | 26481 | 26242 | 3.44 | 3.47 | 3.48 | 3.49 | 3.50 |
| | 32.0 | 28795 | 28219 | 28078 | 27516 | 27269 | 3.44 | 3.46 | 3.47 | 3.48 | 3.49 |
| | 37.0 | 30866 | 30249 | 30097 | 29495 | 29230 | 3.43 | 3.46 | 3.46 | 3.47 | 3.49 |
| | 42.0 | 34418 | 33729 | 33561 | 32890 | 32593 | 3.42 | 3.45 | 3.46 | 3.47 | 3.48 |
| | 44.6 | 35838 | 35122 | 34946 | 34247 | 33939 | 3.42 | 3.45 | 3.46 | 3.46 | 3.48 |
| | 47.0 | 37970 | 37210 | 37024 | 36284 | 35957 | 3.42 | 3.44 | 3.45 | 3.46 | 3.47 |
| | 52.0 | 41521 | 40691 | 40487 | 39678 | 39321 | 3.41 | 3.44 | 3.44 | 3.45 | 3.46 |
| | 57.0 | 45073 | 44172 | 43951 | 43072 | 42684 | 3.40 | 3.43 | 3.44 | 3.44 | 3.46 |
| 62.0 | 48625 | 47653 | 47414 | 46466 | 46048 | 3.39 | 3.42 | 3.43 | 3.44 | 3.45 | |
| 64.4 | 50046 | 49045 | 48800 | 47824 | 47393 | 3.39 | 3.42 | 3.43 | 3.43 | 3.45 | |
| 1400 | -22.0 | 13522 | 13251 | 13185 | 12921 | 12805 | 3.60 | 3.63 | 3.64 | 3.64 | 3.66 |
| | -10.0 | 17413 | 17065 | 16980 | 16640 | 16490 | 3.57 | 3.60 | 3.60 | 3.61 | 3.63 |
| | 0.0 | 20656 | 20243 | 20142 | 19739 | 19561 | 3.54 | 3.57 | 3.58 | 3.58 | 3.60 |
| | 5.0 | 22277 | 21832 | 21723 | 21288 | 21097 | 3.53 | 3.55 | 3.56 | 3.57 | 3.58 |
| | 14.0 | 25196 | 24692 | 24569 | 24077 | 23860 | 3.50 | 3.53 | 3.54 | 3.54 | 3.56 |
| | 17.0 | 26169 | 25645 | 25517 | 25007 | 24782 | 3.49 | 3.52 | 3.53 | 3.53 | 3.55 |
| | 22.0 | 27279 | 26733 | 26600 | 26068 | 25833 | 3.48 | 3.51 | 3.52 | 3.53 | 3.54 |
| | 27.0 | 28389 | 27821 | 27682 | 27129 | 26885 | 3.48 | 3.51 | 3.51 | 3.52 | 3.53 |
| | 32.0 | 29500 | 28910 | 28765 | 28190 | 27936 | 3.47 | 3.50 | 3.51 | 3.51 | 3.53 |
| | 37.0 | 31621 | 30989 | 30834 | 30217 | 29945 | 3.46 | 3.49 | 3.50 | 3.51 | 3.52 |
| | 42.0 | 35260 | 34555 | 34382 | 33694 | 33391 | 3.46 | 3.49 | 3.49 | 3.50 | 3.51 |
| | 44.6 | 36715 | 35981 | 35801 | 35085 | 34769 | 3.46 | 3.48 | 3.49 | 3.50 | 3.51 |
| | 47.0 | 38899 | 38121 | 37930 | 37172 | 36837 | 3.45 | 3.48 | 3.48 | 3.49 | 3.51 |
| | 52.0 | 42537 | 41687 | 41478 | 40649 | 40283 | 3.44 | 3.47 | 3.48 | 3.48 | 3.50 |
| | 57.0 | 46176 | 45253 | 45026 | 44126 | 43729 | 3.44 | 3.46 | 3.47 | 3.48 | 3.49 |
| 62.0 | 49815 | 48819 | 48575 | 47603 | 47175 | 3.43 | 3.46 | 3.46 | 3.47 | 3.48 | |
| 64.4 | 51270 | 50245 | 49994 | 48994 | 48553 | 3.43 | 3.45 | 3.46 | 3.47 | 3.48 | |

NOTE: Data highlighted in gray is extrapolated data and not actual test data.

Manufacturer reserves the right to change, at any time, specifications and designs without notice and without obligations.

HEATING PERFORMANCE DUCTED PLUS NON-DUCTED

HEATING PERFORMANCE 36R (STANDARD)

DUCTED PLUS NON-DUCTED HEATING PERFORMANCE 36R

| AIRFLOW (CFM) | OUTDOOR DB (°F) | TC : Total Heating Capacity (BTU/hr) | | | | | PI : Power Input (kW) | | | | |
|---------------|-----------------|--------------------------------------|-------|-------|-------|-------|---------------------------|------|-------|------|------|
| | | Indoor Conditions (DB °F) | | | | | Indoor Conditions (DB °F) | | | | |
| | | 60.8 | 68.0 | 70.0 | 71.6 | 75.2 | 60.8 | 68.0 | 70.00 | 71.6 | 75.2 |
| 656 | -22.0 | 7281 | 7136 | 7100 | 6958 | 6895 | 4.11 | 4.14 | 4.15 | 4.16 | 4.18 |
| | -10.0 | 9377 | 9189 | 9143 | 8960 | 8880 | 4.07 | 4.11 | 4.11 | 4.12 | 4.14 |
| | 0.0 | 11123 | 10900 | 10846 | 10629 | 10533 | 4.04 | 4.07 | 4.08 | 4.09 | 4.11 |
| | 5.0 | 11996 | 11756 | 11697 | 11463 | 11360 | 4.02 | 4.06 | 4.07 | 4.07 | 4.09 |
| | 14.0 | 13567 | 13296 | 13230 | 12965 | 12848 | 4.00 | 4.03 | 4.04 | 4.04 | 4.06 |
| | 17.0 | 14091 | 13809 | 13740 | 13466 | 13344 | 3.99 | 4.02 | 4.03 | 4.03 | 4.05 |
| | 22.0 | 14689 | 14395 | 14323 | 14037 | 13911 | 3.98 | 4.01 | 4.02 | 4.03 | 4.04 |
| | 27.0 | 15287 | 14981 | 14906 | 14608 | 14477 | 3.97 | 4.00 | 4.01 | 4.02 | 4.03 |
| | 32.0 | 15885 | 15567 | 15489 | 15179 | 15043 | 3.96 | 3.99 | 4.00 | 4.01 | 4.03 |
| | 37.0 | 17027 | 16687 | 16603 | 16271 | 16125 | 3.95 | 3.99 | 3.99 | 4.00 | 4.02 |
| | 42.0 | 18987 | 18607 | 18514 | 18144 | 17980 | 3.95 | 3.98 | 3.99 | 4.00 | 4.01 |
| | 44.6 | 19770 | 19375 | 19278 | 18893 | 18722 | 3.95 | 3.98 | 3.99 | 3.99 | 4.01 |
| | 47.0 | 20946 | 20527 | 20424 | 20016 | 19836 | 3.94 | 3.97 | 3.98 | 3.99 | 4.00 |
| | 52.0 | 22905 | 22447 | 22335 | 21888 | 21691 | 3.93 | 3.96 | 3.97 | 3.98 | 3.99 |
| | 57.0 | 24865 | 24367 | 24246 | 23761 | 23547 | 3.92 | 3.95 | 3.96 | 3.97 | 3.99 |
| | 62.0 | 26824 | 26288 | 26156 | 25633 | 25402 | 3.91 | 3.95 | 3.95 | 3.96 | 3.98 |
| 64.4 | 27608 | 27056 | 26920 | 26382 | 26145 | 3.91 | 3.94 | 3.95 | 3.96 | 3.97 | |
| 854 | -22.0 | 10541 | 10330 | 10279 | 10073 | 9982 | 4.15 | 4.19 | 4.19 | 4.20 | 4.22 |
| | -10.0 | 13575 | 13303 | 13237 | 12972 | 12855 | 4.11 | 4.15 | 4.16 | 4.16 | 4.18 |
| | 0.0 | 16103 | 15781 | 15702 | 15388 | 15249 | 4.08 | 4.11 | 4.12 | 4.13 | 4.15 |
| | 5.0 | 17367 | 17019 | 16934 | 16596 | 16446 | 4.07 | 4.10 | 4.11 | 4.11 | 4.13 |
| | 14.0 | 19642 | 19249 | 19153 | 18770 | 18601 | 4.04 | 4.07 | 4.08 | 4.09 | 4.10 |
| | 17.0 | 20400 | 19992 | 19892 | 19494 | 19319 | 4.03 | 4.06 | 4.07 | 4.08 | 4.09 |
| | 22.0 | 21266 | 20840 | 20736 | 20322 | 20139 | 4.02 | 4.05 | 4.06 | 4.07 | 4.08 |
| | 27.0 | 22131 | 21689 | 21580 | 21149 | 20958 | 4.01 | 4.04 | 4.05 | 4.06 | 4.08 |
| | 32.0 | 22997 | 22537 | 22424 | 21976 | 21778 | 4.00 | 4.03 | 4.04 | 4.05 | 4.07 |
| | 37.0 | 24651 | 24158 | 24037 | 23556 | 23344 | 3.99 | 4.03 | 4.03 | 4.04 | 4.06 |
| | 42.0 | 27487 | 26938 | 26803 | 26267 | 26031 | 3.99 | 4.02 | 4.03 | 4.04 | 4.05 |
| | 44.6 | 28622 | 28050 | 27909 | 27351 | 27105 | 3.99 | 4.02 | 4.03 | 4.03 | 4.05 |
| | 47.0 | 30324 | 29718 | 29569 | 28978 | 28717 | 3.98 | 4.01 | 4.02 | 4.03 | 4.04 |
| | 52.0 | 33161 | 32497 | 32335 | 31688 | 31403 | 3.97 | 4.00 | 4.01 | 4.02 | 4.03 |
| | 57.0 | 35997 | 35277 | 35101 | 34399 | 34089 | 3.96 | 3.99 | 4.00 | 4.01 | 4.03 |
| | 62.0 | 38834 | 38057 | 37867 | 37110 | 36776 | 3.95 | 3.99 | 3.99 | 4.00 | 4.02 |
| 64.4 | 39969 | 39169 | 38973 | 38194 | 37850 | 3.95 | 3.98 | 3.99 | 4.00 | 4.01 | |
| 1280 | -22.0 | 15528 | 15217 | 15141 | 14839 | 14705 | 4.19 | 4.23 | 4.24 | 4.25 | 4.26 |
| | -10.0 | 19997 | 19597 | 19499 | 19109 | 18937 | 4.16 | 4.19 | 4.20 | 4.21 | 4.22 |
| | 0.0 | 23721 | 23246 | 23130 | 22667 | 22463 | 4.12 | 4.16 | 4.16 | 4.17 | 4.19 |
| | 5.0 | 25583 | 25071 | 24946 | 24447 | 24227 | 4.11 | 4.14 | 4.15 | 4.16 | 4.17 |
| | 14.0 | 28934 | 28356 | 28214 | 27649 | 27401 | 4.08 | 4.11 | 4.12 | 4.13 | 4.14 |
| | 17.0 | 30051 | 29450 | 29303 | 28717 | 28459 | 4.07 | 4.10 | 4.11 | 4.12 | 4.13 |
| | 22.0 | 31326 | 30700 | 30546 | 29935 | 29666 | 4.06 | 4.09 | 4.10 | 4.11 | 4.12 |
| | 27.0 | 32601 | 31949 | 31790 | 31154 | 30873 | 4.05 | 4.08 | 4.09 | 4.10 | 4.12 |
| | 32.0 | 33876 | 33199 | 33033 | 32372 | 32081 | 4.04 | 4.08 | 4.08 | 4.09 | 4.11 |
| | 37.0 | 36313 | 35587 | 35409 | 34700 | 34388 | 4.03 | 4.07 | 4.08 | 4.08 | 4.10 |
| | 42.0 | 40491 | 39682 | 39483 | 38694 | 38345 | 4.03 | 4.06 | 4.07 | 4.08 | 4.09 |
| | 44.6 | 42163 | 41320 | 41113 | 40291 | 39928 | 4.03 | 4.06 | 4.07 | 4.07 | 4.09 |
| | 47.0 | 44670 | 43777 | 43558 | 42687 | 42302 | 4.02 | 4.05 | 4.06 | 4.07 | 4.08 |
| | 52.0 | 48849 | 47872 | 47632 | 46680 | 46260 | 4.01 | 4.04 | 4.05 | 4.06 | 4.08 |
| | 57.0 | 53027 | 51967 | 51707 | 50673 | 50217 | 4.00 | 4.03 | 4.04 | 4.05 | 4.07 |
| | 62.0 | 57206 | 56062 | 55781 | 54666 | 54174 | 3.99 | 4.03 | 4.03 | 4.04 | 4.06 |
| 64.4 | 58877 | 57700 | 57411 | 56263 | 55757 | 3.99 | 4.02 | 4.03 | 4.04 | 4.06 | |
| 1400 | -22.0 | 15908 | 15590 | 15512 | 15202 | 15065 | 4.24 | 4.27 | 4.28 | 4.29 | 4.31 |
| | -10.0 | 20486 | 20076 | 19976 | 19576 | 19400 | 4.20 | 4.23 | 4.24 | 4.25 | 4.27 |
| | 0.0 | 24301 | 23815 | 23696 | 23222 | 23013 | 4.16 | 4.20 | 4.21 | 4.21 | 4.23 |
| | 5.0 | 26209 | 25685 | 25556 | 25045 | 24820 | 4.15 | 4.18 | 4.19 | 4.20 | 4.21 |
| | 14.0 | 29642 | 29049 | 28904 | 28326 | 28071 | 4.12 | 4.15 | 4.16 | 4.17 | 4.18 |
| | 17.0 | 30787 | 30171 | 30020 | 29420 | 29155 | 4.11 | 4.14 | 4.15 | 4.16 | 4.17 |
| | 22.0 | 32093 | 31451 | 31294 | 30668 | 30392 | 4.10 | 4.13 | 4.14 | 4.15 | 4.17 |
| | 27.0 | 33399 | 32731 | 32568 | 31916 | 31629 | 4.09 | 4.12 | 4.13 | 4.14 | 4.16 |
| | 32.0 | 34705 | 34011 | 33841 | 33164 | 32866 | 4.08 | 4.12 | 4.12 | 4.13 | 4.15 |
| | 37.0 | 37201 | 36457 | 36275 | 35550 | 35230 | 4.08 | 4.11 | 4.12 | 4.12 | 4.14 |
| | 42.0 | 41482 | 40653 | 40449 | 39640 | 39284 | 4.07 | 4.10 | 4.11 | 4.12 | 4.13 |
| | 44.6 | 43195 | 42331 | 42119 | 41277 | 40905 | 4.07 | 4.10 | 4.11 | 4.12 | 4.13 |
| | 47.0 | 45763 | 44848 | 44624 | 43731 | 43338 | 4.06 | 4.09 | 4.10 | 4.11 | 4.12 |
| | 52.0 | 50044 | 49043 | 48798 | 47822 | 47392 | 4.05 | 4.08 | 4.09 | 4.10 | 4.12 |
| | 57.0 | 54325 | 53238 | 52972 | 51913 | 51446 | 4.04 | 4.07 | 4.08 | 4.09 | 4.11 |
| | 62.0 | 58606 | 57434 | 57146 | 56004 | 55500 | 4.03 | 4.07 | 4.07 | 4.08 | 4.10 |
| 64.4 | 60318 | 59112 | 58816 | 57640 | 57121 | 4.03 | 4.06 | 4.07 | 4.08 | 4.10 | |

NOTE: Data highlighted in gray is extrapolated data and not actual test data.

Manufacturer reserves the right to change, at any time, specifications and designs without notice and without obligations.

HEATING PERFORMANCE DUCTED PLUS NON-DUCTED

HEATING PERFORMANCE 36HH (HIGH HEAT)

DUCTED PLUS NON-DUCTED HEATING PERFORMANCE 36HH

| AIRFLOW (CFM) | OUTDOOR DB (°F) | TC : Total Heating Capacity (BTU/hr) | | | | | PI : Power Input (kW) | | | | |
|---------------|-----------------|--------------------------------------|-------|-------|-------|-------|---------------------------|------|-------|------|------|
| | | Indoor Conditions (DB °F) | | | | | Indoor Conditions (DB °F) | | | | |
| | | 60.8 | 68.0 | 70.0 | 71.6 | 75.2 | 60.8 | 68.0 | 70.00 | 71.6 | 75.2 |
| 656 | -22.0 | 16223 | 15899 | 15819 | 15503 | 15363 | 5.87 | 5.92 | 5.93 | 5.94 | 5.97 |
| | -10.0 | 16629 | 16297 | 16215 | 15891 | 15748 | 5.63 | 5.68 | 5.69 | 5.70 | 5.72 |
| | 0.0 | 16968 | 16628 | 16545 | 16214 | 16068 | 5.43 | 5.48 | 5.49 | 5.50 | 5.52 |
| | 5.0 | 17137 | 16794 | 16710 | 16376 | 16229 | 5.33 | 5.37 | 5.39 | 5.40 | 5.42 |
| | 14.0 | 17441 | 17093 | 17007 | 16667 | 16517 | 5.15 | 5.19 | 5.20 | 5.21 | 5.23 |
| | 17.0 | 17543 | 17192 | 17106 | 16764 | 16613 | 5.09 | 5.13 | 5.14 | 5.15 | 5.17 |
| | 22.0 | 17633 | 17281 | 17194 | 16850 | 16699 | 5.01 | 5.05 | 5.06 | 5.07 | 5.09 |
| | 27.0 | 17723 | 17369 | 17282 | 16936 | 16784 | 4.93 | 4.97 | 4.98 | 4.99 | 5.01 |
| | 32.0 | 17814 | 17457 | 17370 | 17023 | 16870 | 4.85 | 4.89 | 4.90 | 4.91 | 4.93 |
| | 37.0 | 18381 | 18013 | 17923 | 17565 | 17407 | 4.72 | 4.76 | 4.77 | 4.78 | 4.80 |
| | 42.0 | 19663 | 19270 | 19174 | 18790 | 18621 | 4.57 | 4.61 | 4.62 | 4.62 | 4.64 |
| | 44.6 | 20176 | 19773 | 19674 | 19281 | 19107 | 4.50 | 4.54 | 4.55 | 4.56 | 4.58 |
| | 47.0 | 20946 | 20527 | 20424 | 20016 | 19836 | 4.32 | 4.36 | 4.37 | 4.38 | 4.39 |
| | 52.0 | 22229 | 21784 | 21675 | 21242 | 21050 | 4.12 | 4.16 | 4.16 | 4.17 | 4.19 |
| | 57.0 | 23511 | 23041 | 22926 | 22467 | 22265 | 3.92 | 3.95 | 3.96 | 3.97 | 3.99 |
| | 62.0 | 24794 | 24298 | 24176 | 23693 | 23480 | 3.72 | 3.75 | 3.76 | 3.77 | 3.78 |
| 64.4 | 25307 | 24801 | 24677 | 24183 | 23965 | 3.64 | 3.67 | 3.68 | 3.69 | 3.70 | |
| 854 | -22.0 | 23487 | 23017 | 22902 | 22444 | 22242 | 5.93 | 5.98 | 5.99 | 6.00 | 6.03 |
| | -10.0 | 24075 | 23593 | 23475 | 23006 | 22799 | 5.69 | 5.73 | 5.75 | 5.76 | 5.78 |
| | 0.0 | 24565 | 24073 | 23953 | 23474 | 23263 | 5.49 | 5.53 | 5.54 | 5.55 | 5.58 |
| | 5.0 | 24810 | 24313 | 24192 | 23708 | 23495 | 5.39 | 5.43 | 5.44 | 5.45 | 5.47 |
| | 14.0 | 25250 | 24745 | 24622 | 24129 | 23912 | 5.20 | 5.25 | 5.26 | 5.27 | 5.29 |
| | 17.0 | 25397 | 24889 | 24765 | 24270 | 24051 | 5.14 | 5.18 | 5.19 | 5.20 | 5.23 |
| | 22.0 | 25528 | 25018 | 24892 | 24395 | 24175 | 5.06 | 5.10 | 5.11 | 5.12 | 5.14 |
| | 27.0 | 25659 | 25146 | 25020 | 24519 | 24299 | 4.98 | 5.02 | 5.03 | 5.04 | 5.06 |
| | 32.0 | 25789 | 25274 | 25147 | 24644 | 24422 | 4.90 | 4.94 | 4.95 | 4.96 | 4.98 |
| | 37.0 | 26610 | 26078 | 25948 | 25429 | 25200 | 4.77 | 4.81 | 4.82 | 4.83 | 4.85 |
| | 42.0 | 28467 | 27898 | 27758 | 27203 | 26958 | 4.62 | 4.65 | 4.66 | 4.67 | 4.69 |
| | 44.6 | 29210 | 28626 | 28483 | 27913 | 27662 | 4.55 | 4.59 | 4.59 | 4.60 | 4.62 |
| | 47.0 | 30324 | 29718 | 29569 | 28978 | 28717 | 4.37 | 4.40 | 4.41 | 4.42 | 4.44 |
| | 52.0 | 32181 | 31537 | 31380 | 30752 | 30475 | 4.16 | 4.20 | 4.21 | 4.21 | 4.23 |
| | 57.0 | 34038 | 33357 | 33190 | 32526 | 32234 | 3.96 | 3.99 | 4.00 | 4.01 | 4.03 |
| | 62.0 | 35894 | 35177 | 35001 | 34301 | 33992 | 3.76 | 3.79 | 3.80 | 3.81 | 3.82 |
| 64.4 | 36637 | 35904 | 35725 | 35010 | 34695 | 3.68 | 3.71 | 3.72 | 3.72 | 3.74 | |
| 1280 | -22.0 | 34598 | 33906 | 33737 | 33062 | 32764 | 5.99 | 6.04 | 6.05 | 6.06 | 6.09 |
| | -10.0 | 35464 | 34755 | 34581 | 33889 | 33584 | 5.75 | 5.79 | 5.80 | 5.82 | 5.84 |
| | 0.0 | 36186 | 35462 | 35285 | 34579 | 34268 | 5.54 | 5.59 | 5.60 | 5.61 | 5.63 |
| | 5.0 | 36547 | 35816 | 35637 | 34924 | 34610 | 5.44 | 5.48 | 5.49 | 5.51 | 5.53 |
| | 14.0 | 37196 | 36452 | 36270 | 35545 | 35225 | 5.26 | 5.30 | 5.31 | 5.32 | 5.34 |
| | 17.0 | 37413 | 36664 | 36481 | 35751 | 35430 | 5.19 | 5.24 | 5.25 | 5.26 | 5.28 |
| | 22.0 | 37605 | 36853 | 36669 | 35935 | 35612 | 5.11 | 5.15 | 5.16 | 5.17 | 5.20 |
| | 27.0 | 37798 | 37042 | 36856 | 36119 | 35794 | 5.03 | 5.07 | 5.08 | 5.09 | 5.11 |
| | 32.0 | 37990 | 37230 | 37044 | 36303 | 35976 | 4.95 | 4.99 | 5.00 | 5.01 | 5.03 |
| | 37.0 | 39200 | 38416 | 38224 | 37459 | 37122 | 4.82 | 4.86 | 4.87 | 4.88 | 4.90 |
| | 42.0 | 41935 | 41096 | 40891 | 40073 | 39712 | 4.66 | 4.70 | 4.71 | 4.72 | 4.74 |
| | 44.6 | 43029 | 42168 | 41957 | 41118 | 40748 | 4.59 | 4.63 | 4.64 | 4.65 | 4.67 |
| | 47.0 | 44670 | 43777 | 43558 | 42687 | 42302 | 4.41 | 4.45 | 4.46 | 4.46 | 4.48 |
| | 52.0 | 47405 | 46457 | 46225 | 45300 | 44893 | 4.21 | 4.24 | 4.25 | 4.26 | 4.27 |
| | 57.0 | 50140 | 49138 | 48892 | 47914 | 47483 | 4.00 | 4.03 | 4.04 | 4.05 | 4.07 |
| | 62.0 | 52876 | 51818 | 51559 | 50528 | 50073 | 3.80 | 3.83 | 3.84 | 3.84 | 3.86 |
| 64.4 | 53970 | 52890 | 52626 | 51573 | 51109 | 3.72 | 3.75 | 3.75 | 3.76 | 3.78 | |
| 1400 | -22.0 | 35445 | 34736 | 34562 | 33871 | 33566 | 6.05 | 6.10 | 6.11 | 6.12 | 6.15 |
| | -10.0 | 36332 | 35605 | 35427 | 34719 | 34406 | 5.80 | 5.85 | 5.86 | 5.87 | 5.90 |
| | 0.0 | 37071 | 36330 | 36148 | 35425 | 35106 | 5.60 | 5.64 | 5.65 | 5.66 | 5.69 |
| | 5.0 | 37441 | 36692 | 36509 | 35779 | 35457 | 5.49 | 5.54 | 5.55 | 5.56 | 5.58 |
| | 14.0 | 38106 | 37344 | 37158 | 36414 | 36087 | 5.31 | 5.35 | 5.36 | 5.37 | 5.39 |
| | 17.0 | 38328 | 37562 | 37374 | 36626 | 36297 | 5.25 | 5.29 | 5.30 | 5.31 | 5.33 |
| | 22.0 | 38525 | 37755 | 37566 | 36815 | 36483 | 5.16 | 5.21 | 5.22 | 5.23 | 5.25 |
| | 27.0 | 38723 | 37948 | 37758 | 37003 | 36670 | 5.08 | 5.12 | 5.13 | 5.14 | 5.16 |
| | 32.0 | 38920 | 38141 | 37951 | 37192 | 36857 | 5.00 | 5.04 | 5.05 | 5.06 | 5.08 |
| | 37.0 | 40159 | 39356 | 39159 | 38376 | 38030 | 4.87 | 4.91 | 4.92 | 4.93 | 4.95 |
| | 42.0 | 42961 | 42102 | 41891 | 41053 | 40684 | 4.71 | 4.75 | 4.76 | 4.77 | 4.79 |
| | 44.6 | 44082 | 43200 | 42984 | 42125 | 41745 | 4.64 | 4.68 | 4.69 | 4.70 | 4.72 |
| | 47.0 | 45763 | 44848 | 44624 | 43731 | 43338 | 4.45 | 4.49 | 4.50 | 4.51 | 4.53 |
| | 52.0 | 48565 | 47594 | 47356 | 46409 | 45991 | 4.25 | 4.28 | 4.29 | 4.30 | 4.32 |
| | 57.0 | 51367 | 50340 | 50088 | 49087 | 48645 | 4.04 | 4.07 | 4.08 | 4.09 | 4.11 |
| | 62.0 | 54170 | 53086 | 52821 | 51764 | 51299 | 3.84 | 3.87 | 3.87 | 3.88 | 3.90 |
| 64.4 | 55290 | 54185 | 53914 | 52835 | 52360 | 3.75 | 3.78 | 3.79 | 3.80 | 3.81 | |

NOTE: Data highlighted in gray is extrapolated data and not actual test data.

Manufacturer reserves the right to change, at any time, specifications and designs without notice and without obligations.

HEATING PERFORMANCE DUCTED PLUS NON-DUCTED

HEATING PERFORMANCE 48R (STANDARD)

DUCTED PLUS NON-DUCTED HEATING PERFORMANCE 48R

| AIRFLOW (CFM) | OUTDOOR DB (°F) | TC : Total Heating Capacity (BTU/hr) | | | | | PI : Power Input (kW) | | | | |
|---------------|-----------------|--------------------------------------|-------|-------|-------|-------|---------------------------|------|-------|------|------|
| | | Indoor Conditions (DB °F) | | | | | Indoor Conditions (DB °F) | | | | |
| | | 60.8 | 68.0 | 70.0 | 71.6 | 75.2 | 60.8 | 68.0 | 70.00 | 71.6 | 75.2 |
| 820 | -22.0 | 11422 | 11194 | 11138 | 10915 | 10817 | 5.96 | 6.01 | 6.02 | 6.03 | 6.05 |
| | -10.0 | 13327 | 13061 | 12996 | 12736 | 12621 | 5.60 | 5.65 | 5.66 | 5.67 | 5.69 |
| | 0.0 | 14915 | 14617 | 14544 | 14253 | 14125 | 5.31 | 5.35 | 5.36 | 5.37 | 5.39 |
| | 5.0 | 15709 | 15395 | 15318 | 15012 | 14876 | 5.16 | 5.20 | 5.21 | 5.22 | 5.24 |
| | 14.0 | 17138 | 16795 | 16711 | 16377 | 16230 | 4.89 | 4.93 | 4.94 | 4.95 | 4.97 |
| | 17.0 | 17614 | 17262 | 17176 | 16832 | 16681 | 4.80 | 4.84 | 4.85 | 4.86 | 4.88 |
| | 22.0 | 17910 | 17552 | 17464 | 17115 | 16961 | 4.78 | 4.81 | 4.82 | 4.83 | 4.85 |
| | 27.0 | 18206 | 17842 | 17753 | 17398 | 17241 | 4.75 | 4.79 | 4.80 | 4.81 | 4.83 |
| | 32.0 | 18502 | 18132 | 18042 | 17681 | 17522 | 4.72 | 4.76 | 4.77 | 4.78 | 4.80 |
| | 37.0 | 19693 | 19299 | 19202 | 18818 | 18649 | 4.69 | 4.73 | 4.74 | 4.75 | 4.77 |
| | 42.0 | 22224 | 21779 | 21670 | 21237 | 21046 | 4.66 | 4.70 | 4.71 | 4.72 | 4.74 |
| | 44.6 | 23236 | 22772 | 22658 | 22205 | 22005 | 4.65 | 4.68 | 4.69 | 4.70 | 4.72 |
| | 47.0 | 24755 | 24260 | 24139 | 23656 | 23443 | 4.61 | 4.65 | 4.66 | 4.67 | 4.69 |
| | 52.0 | 27286 | 26741 | 26607 | 26075 | 25840 | 4.57 | 4.61 | 4.62 | 4.63 | 4.64 |
| | 57.0 | 29818 | 29221 | 29075 | 28494 | 28237 | 4.53 | 4.57 | 4.58 | 4.59 | 4.60 |
| 62.0 | 32349 | 31702 | 31543 | 30913 | 30634 | 4.49 | 4.53 | 4.54 | 4.55 | 4.56 | |
| 64.4 | 33361 | 32694 | 32531 | 31880 | 31593 | 4.47 | 4.51 | 4.52 | 4.53 | 4.55 | |
| 1068 | -22.0 | 16540 | 16209 | 16128 | 15806 | 15663 | 6.02 | 6.07 | 6.08 | 6.09 | 6.12 |
| | -10.0 | 19299 | 18913 | 18818 | 18442 | 18276 | 5.66 | 5.71 | 5.72 | 5.73 | 5.75 |
| | 0.0 | 21598 | 21166 | 21060 | 20639 | 20454 | 5.36 | 5.40 | 5.41 | 5.43 | 5.45 |
| | 5.0 | 22748 | 22293 | 22181 | 21738 | 21542 | 5.21 | 5.25 | 5.26 | 5.27 | 5.29 |
| | 14.0 | 24817 | 24321 | 24199 | 23715 | 23502 | 4.94 | 4.98 | 4.99 | 5.00 | 5.02 |
| | 17.0 | 25507 | 24997 | 24872 | 24374 | 24155 | 4.85 | 4.89 | 4.90 | 4.91 | 4.93 |
| | 22.0 | 25936 | 25417 | 25290 | 24784 | 24561 | 4.82 | 4.86 | 4.87 | 4.88 | 4.90 |
| | 27.0 | 26364 | 25837 | 25708 | 25194 | 24967 | 4.80 | 4.84 | 4.85 | 4.86 | 4.88 |
| | 32.0 | 26793 | 26257 | 26126 | 25603 | 25373 | 4.77 | 4.81 | 4.82 | 4.83 | 4.85 |
| | 37.0 | 28516 | 27946 | 27806 | 27250 | 27005 | 4.74 | 4.78 | 4.79 | 4.80 | 4.82 |
| | 42.0 | 32182 | 31538 | 31380 | 30753 | 30476 | 4.71 | 4.75 | 4.75 | 4.76 | 4.78 |
| | 44.6 | 33648 | 32975 | 32810 | 32154 | 31864 | 4.69 | 4.73 | 4.74 | 4.75 | 4.77 |
| | 47.0 | 35847 | 35130 | 34955 | 34255 | 33947 | 4.66 | 4.70 | 4.70 | 4.71 | 4.73 |
| | 52.0 | 39513 | 38722 | 38529 | 37758 | 37418 | 4.62 | 4.65 | 4.66 | 4.67 | 4.69 |
| | 57.0 | 43178 | 42315 | 42103 | 41261 | 40890 | 4.58 | 4.61 | 4.62 | 4.63 | 4.65 |
| 62.0 | 46844 | 45907 | 45677 | 44764 | 44361 | 4.54 | 4.57 | 4.58 | 4.59 | 4.61 | |
| 64.4 | 48310 | 47344 | 47107 | 46165 | 45749 | 4.52 | 4.56 | 4.57 | 4.57 | 4.59 | |
| 1600 | -22.0 | 24359 | 23872 | 23752 | 23277 | 23068 | 6.08 | 6.13 | 6.14 | 6.15 | 6.18 |
| | -10.0 | 28422 | 27854 | 27715 | 27160 | 26916 | 5.72 | 5.76 | 5.77 | 5.79 | 5.81 |
| | 0.0 | 31809 | 31172 | 31017 | 30396 | 30123 | 5.41 | 5.46 | 5.47 | 5.48 | 5.50 |
| | 5.0 | 33502 | 32832 | 32667 | 32014 | 31726 | 5.26 | 5.31 | 5.32 | 5.33 | 5.35 |
| | 14.0 | 36549 | 35818 | 35639 | 34926 | 34612 | 4.99 | 5.03 | 5.04 | 5.05 | 5.07 |
| | 17.0 | 37565 | 36814 | 36630 | 35897 | 35574 | 4.90 | 4.94 | 4.95 | 4.96 | 4.98 |
| | 22.0 | 38196 | 37432 | 37245 | 36500 | 36172 | 4.87 | 4.91 | 4.92 | 4.93 | 4.95 |
| | 27.0 | 38828 | 38051 | 37861 | 37104 | 36770 | 4.85 | 4.89 | 4.90 | 4.90 | 4.92 |
| | 32.0 | 39459 | 38670 | 38476 | 37707 | 37367 | 4.82 | 4.86 | 4.87 | 4.88 | 4.90 |
| | 37.0 | 41997 | 41157 | 40951 | 40132 | 39771 | 4.79 | 4.82 | 4.83 | 4.84 | 4.86 |
| | 42.0 | 47395 | 46447 | 46215 | 45291 | 44883 | 4.75 | 4.79 | 4.80 | 4.81 | 4.83 |
| | 44.6 | 49554 | 48563 | 48321 | 47354 | 46928 | 4.74 | 4.78 | 4.79 | 4.80 | 4.82 |
| | 47.0 | 52793 | 51738 | 51479 | 50449 | 49995 | 4.70 | 4.74 | 4.75 | 4.76 | 4.78 |
| | 52.0 | 58192 | 57028 | 56743 | 55608 | 55107 | 4.66 | 4.70 | 4.71 | 4.72 | 4.74 |
| | 57.0 | 63590 | 62318 | 62007 | 60766 | 60220 | 4.62 | 4.66 | 4.67 | 4.68 | 4.70 |
| 62.0 | 68988 | 67609 | 67270 | 65925 | 65332 | 4.58 | 4.62 | 4.63 | 4.64 | 4.66 | |
| 64.4 | 71148 | 69725 | 69376 | 67989 | 67377 | 4.57 | 4.60 | 4.61 | 4.62 | 4.64 | |
| 1750 | -22.0 | 24955 | 24456 | 24334 | 23847 | 23632 | 6.14 | 6.19 | 6.20 | 6.21 | 6.24 |
| | -10.0 | 29118 | 28536 | 28393 | 27825 | 27575 | 5.77 | 5.82 | 5.83 | 5.84 | 5.87 |
| | 0.0 | 32587 | 31935 | 31776 | 31140 | 30860 | 5.47 | 5.51 | 5.52 | 5.53 | 5.56 |
| | 5.0 | 34321 | 33635 | 33467 | 32798 | 32502 | 5.32 | 5.36 | 5.37 | 5.38 | 5.40 |
| | 14.0 | 37444 | 36695 | 36511 | 35781 | 35459 | 5.04 | 5.08 | 5.09 | 5.10 | 5.12 |
| | 17.0 | 38484 | 37715 | 37526 | 36776 | 36445 | 4.95 | 4.99 | 5.00 | 5.01 | 5.03 |
| | 22.0 | 39131 | 38348 | 38157 | 37394 | 37057 | 4.92 | 4.96 | 4.97 | 4.98 | 5.00 |
| | 27.0 | 39778 | 38982 | 38787 | 38012 | 37669 | 4.89 | 4.93 | 4.94 | 4.95 | 4.97 |
| | 32.0 | 40424 | 39616 | 39418 | 38629 | 38282 | 4.87 | 4.91 | 4.92 | 4.93 | 4.95 |
| | 37.0 | 43025 | 42164 | 41953 | 41114 | 40744 | 4.83 | 4.87 | 4.88 | 4.89 | 4.91 |
| | 42.0 | 48555 | 47584 | 47346 | 46399 | 45981 | 4.80 | 4.84 | 4.85 | 4.86 | 4.88 |
| | 44.6 | 50767 | 49752 | 49503 | 48513 | 48076 | 4.79 | 4.83 | 4.84 | 4.85 | 4.87 |
| | 47.0 | 54085 | 53004 | 52739 | 51684 | 51219 | 4.75 | 4.79 | 4.80 | 4.81 | 4.83 |
| | 52.0 | 59616 | 58423 | 58131 | 56969 | 56456 | 4.71 | 4.75 | 4.76 | 4.77 | 4.79 |
| | 57.0 | 65146 | 63843 | 63524 | 62253 | 61693 | 4.67 | 4.71 | 4.72 | 4.73 | 4.74 |
| 62.0 | 70676 | 69263 | 68917 | 67538 | 66930 | 4.63 | 4.67 | 4.67 | 4.68 | 4.70 | |
| 64.4 | 72889 | 71431 | 71074 | 69652 | 69025 | 4.61 | 4.65 | 4.66 | 4.67 | 4.69 | |

NOTE: Data highlighted in gray is extrapolated data and not actual test data.

Manufacturer reserves the right to change, at any time, specifications and designs without notice and without obligations.

HEATING PERFORMANCE DUCTED PLUS NON-DUCTED

HEATING PERFORMANCE 48HH (HIGH HEAT)

DUCTED PLUS NON-DUCTED HEATING PERFORMANCE 48HH

| AIRFLOW (CFM) | OUTDOOR DB (°F) | TC : Total Heating Capacity (BTU/hr) | | | | | PI : Power Input (kW) | | | | |
|---------------|-----------------|--------------------------------------|-------|-------|-------|-------|---------------------------|------|-------|------|------|
| | | Indoor Conditions (DB °F) | | | | | Indoor Conditions (DB °F) | | | | |
| | | 60.8 | 68.0 | 70.0 | 71.6 | 75.2 | 60.8 | 68.0 | 70.00 | 71.6 | 75.2 |
| 820 | -22.0 | 20429 | 20021 | 19921 | 19522 | 19347 | 6.08 | 6.12 | 6.14 | 6.15 | 6.17 |
| | -10.0 | 20735 | 20320 | 20219 | 19814 | 19636 | 5.98 | 6.03 | 6.04 | 6.05 | 6.08 |
| | 0.0 | 20989 | 20570 | 20467 | 20057 | 19877 | 5.90 | 5.95 | 5.96 | 5.97 | 6.00 |
| | 5.0 | 21117 | 20694 | 20591 | 20179 | 19997 | 5.86 | 5.91 | 5.92 | 5.93 | 5.95 |
| | 14.0 | 21346 | 20919 | 20814 | 20398 | 20214 | 5.79 | 5.83 | 5.85 | 5.86 | 5.88 |
| | 17.0 | 21422 | 20993 | 20889 | 20471 | 20286 | 5.76 | 5.81 | 5.82 | 5.83 | 5.86 |
| | 22.0 | 21788 | 21353 | 21246 | 20821 | 20633 | 5.74 | 5.78 | 5.79 | 5.81 | 5.83 |
| | 27.0 | 22155 | 21712 | 21603 | 21171 | 20980 | 5.71 | 5.76 | 5.77 | 5.78 | 5.80 |
| | 32.0 | 22521 | 22071 | 21960 | 21521 | 21327 | 5.68 | 5.73 | 5.74 | 5.75 | 5.78 |
| | 37.0 | 23553 | 23081 | 22966 | 22507 | 22304 | 5.60 | 5.65 | 5.66 | 5.67 | 5.69 |
| | 42.0 | 25582 | 25070 | 24945 | 24446 | 24226 | 5.48 | 5.53 | 5.54 | 5.55 | 5.57 |
| | 44.6 | 26393 | 25865 | 25736 | 25221 | 24994 | 5.43 | 5.47 | 5.48 | 5.49 | 5.52 |
| | 47.0 | 27611 | 27058 | 26923 | 26385 | 26147 | 5.28 | 5.33 | 5.34 | 5.35 | 5.37 |
| | 52.0 | 29640 | 29047 | 28902 | 28324 | 28069 | 5.12 | 5.16 | 5.17 | 5.19 | 5.21 |
| | 57.0 | 31669 | 31035 | 30880 | 30263 | 29990 | 4.96 | 5.00 | 5.01 | 5.02 | 5.04 |
| 62.0 | 33698 | 33024 | 32859 | 32202 | 31912 | 4.80 | 4.84 | 4.85 | 4.86 | 4.88 | |
| 64.4 | 34510 | 33819 | 33650 | 32977 | 32680 | 4.74 | 4.78 | 4.79 | 4.80 | 4.82 | |
| 1068 | -22.0 | 29583 | 28992 | 28847 | 28270 | 28015 | 6.14 | 6.19 | 6.20 | 6.21 | 6.24 |
| | -10.0 | 30026 | 29425 | 29278 | 28692 | 28434 | 6.04 | 6.09 | 6.10 | 6.11 | 6.14 |
| | 0.0 | 30394 | 29786 | 29637 | 29044 | 28783 | 5.96 | 6.01 | 6.02 | 6.03 | 6.06 |
| | 5.0 | 30578 | 29967 | 29817 | 29221 | 28958 | 5.92 | 5.97 | 5.98 | 5.99 | 6.01 |
| | 14.0 | 30910 | 30292 | 30140 | 29537 | 29272 | 5.85 | 5.89 | 5.91 | 5.92 | 5.94 |
| | 17.0 | 31021 | 30400 | 30248 | 29643 | 29376 | 5.82 | 5.87 | 5.88 | 5.89 | 5.92 |
| | 22.0 | 31551 | 30920 | 30765 | 30150 | 29879 | 5.79 | 5.84 | 5.85 | 5.87 | 5.89 |
| | 27.0 | 32082 | 31440 | 31283 | 30657 | 30381 | 5.77 | 5.81 | 5.83 | 5.84 | 5.86 |
| | 32.0 | 32612 | 31960 | 31800 | 31164 | 30884 | 5.74 | 5.79 | 5.80 | 5.81 | 5.83 |
| | 37.0 | 34106 | 33424 | 33257 | 32591 | 32298 | 5.66 | 5.71 | 5.72 | 5.73 | 5.75 |
| | 42.0 | 37044 | 36303 | 36122 | 35399 | 35081 | 5.54 | 5.58 | 5.59 | 5.60 | 5.63 |
| | 44.6 | 38219 | 37455 | 37268 | 36522 | 36194 | 5.48 | 5.53 | 5.54 | 5.55 | 5.57 |
| | 47.0 | 39982 | 39183 | 38987 | 38207 | 37863 | 5.34 | 5.38 | 5.39 | 5.40 | 5.42 |
| | 52.0 | 42921 | 42062 | 41852 | 41015 | 40646 | 5.17 | 5.22 | 5.23 | 5.24 | 5.26 |
| | 57.0 | 45859 | 44942 | 44717 | 43823 | 43428 | 5.01 | 5.05 | 5.06 | 5.07 | 5.09 |
| 62.0 | 48797 | 47821 | 47582 | 46630 | 46211 | 4.85 | 4.89 | 4.90 | 4.91 | 4.93 | |
| 64.4 | 49972 | 48973 | 48728 | 47754 | 47324 | 4.79 | 4.83 | 4.84 | 4.84 | 4.86 | |
| 1600 | -22.0 | 43568 | 42697 | 42484 | 41634 | 41259 | 6.20 | 6.25 | 6.26 | 6.27 | 6.30 |
| | -10.0 | 44220 | 43335 | 43119 | 42256 | 41876 | 6.10 | 6.15 | 6.16 | 6.18 | 6.20 |
| | 0.0 | 44762 | 43867 | 43648 | 42775 | 42390 | 6.02 | 6.07 | 6.08 | 6.09 | 6.12 |
| | 5.0 | 45034 | 44133 | 43912 | 43034 | 42647 | 5.98 | 6.03 | 6.04 | 6.05 | 6.08 |
| | 14.0 | 45522 | 44612 | 44389 | 43501 | 43109 | 5.91 | 5.95 | 5.96 | 5.98 | 6.00 |
| | 17.0 | 45685 | 44771 | 44547 | 43657 | 43264 | 5.88 | 5.93 | 5.94 | 5.95 | 5.98 |
| | 22.0 | 46466 | 45537 | 45309 | 44403 | 44004 | 5.85 | 5.90 | 5.91 | 5.92 | 5.95 |
| | 27.0 | 47248 | 46303 | 46071 | 45150 | 44744 | 5.83 | 5.89 | 5.89 | 5.90 | 5.92 |
| | 32.0 | 48029 | 47069 | 46833 | 45897 | 45483 | 5.80 | 5.85 | 5.86 | 5.87 | 5.89 |
| | 37.0 | 50229 | 49224 | 48978 | 47999 | 47567 | 5.72 | 5.76 | 5.78 | 5.79 | 5.81 |
| | 42.0 | 54556 | 53465 | 53198 | 52134 | 51665 | 5.59 | 5.64 | 5.65 | 5.66 | 5.68 |
| | 44.6 | 56287 | 55161 | 54885 | 53788 | 53304 | 5.54 | 5.58 | 5.59 | 5.60 | 5.63 |
| | 47.0 | 58883 | 57706 | 57417 | 56269 | 55762 | 5.39 | 5.43 | 5.45 | 5.46 | 5.48 |
| | 52.0 | 63211 | 61946 | 61637 | 60404 | 59860 | 5.23 | 5.27 | 5.28 | 5.29 | 5.31 |
| | 57.0 | 67538 | 66187 | 65856 | 64539 | 63958 | 5.06 | 5.10 | 5.12 | 5.13 | 5.15 |
| 62.0 | 71865 | 70428 | 70076 | 68674 | 68056 | 4.90 | 4.94 | 4.95 | 4.96 | 4.98 | |
| 64.4 | 73596 | 72124 | 71764 | 70328 | 69695 | 4.84 | 4.87 | 4.88 | 4.89 | 4.91 | |
| 1750 | -22.0 | 44635 | 43742 | 43523 | 42653 | 42269 | 6.26 | 6.31 | 6.32 | 6.34 | 6.36 |
| | -10.0 | 45302 | 44396 | 44174 | 43290 | 42901 | 6.16 | 6.21 | 6.22 | 6.24 | 6.26 |
| | 0.0 | 45858 | 44941 | 44716 | 43822 | 43427 | 6.08 | 6.13 | 6.14 | 6.15 | 6.18 |
| | 5.0 | 46136 | 45213 | 44987 | 44087 | 43690 | 6.04 | 6.09 | 6.10 | 6.11 | 6.14 |
| | 14.0 | 46636 | 45703 | 45475 | 44565 | 44164 | 5.96 | 6.01 | 6.02 | 6.04 | 6.06 |
| | 17.0 | 46803 | 45867 | 45638 | 44725 | 44322 | 5.94 | 5.99 | 6.00 | 6.01 | 6.04 |
| | 22.0 | 47603 | 46651 | 46418 | 45490 | 45080 | 5.91 | 5.96 | 5.97 | 5.98 | 6.01 |
| | 27.0 | 48404 | 47436 | 47199 | 46255 | 45838 | 5.88 | 5.93 | 5.94 | 5.96 | 5.98 |
| | 32.0 | 49204 | 48220 | 47979 | 47020 | 46596 | 5.86 | 5.90 | 5.92 | 5.93 | 5.95 |
| | 37.0 | 51458 | 50429 | 50177 | 49173 | 48731 | 5.77 | 5.82 | 5.83 | 5.84 | 5.87 |
| | 42.0 | 55891 | 54773 | 54499 | 53409 | 52929 | 5.65 | 5.69 | 5.70 | 5.72 | 5.74 |
| | 44.6 | 57664 | 56511 | 56229 | 55104 | 54608 | 5.59 | 5.64 | 5.65 | 5.66 | 5.68 |
| | 47.0 | 60324 | 59118 | 58822 | 57646 | 57127 | 5.44 | 5.49 | 5.50 | 5.51 | 5.53 |
| | 52.0 | 64757 | 63462 | 63145 | 61882 | 61325 | 5.28 | 5.32 | 5.33 | 5.34 | 5.36 |
| | 57.0 | 69191 | 67807 | 67468 | 66118 | 65523 | 5.11 | 5.16 | 5.17 | 5.18 | 5.20 |
| 62.0 | 73624 | 72151 | 71791 | 70355 | 69722 | 4.95 | 4.99 | 5.00 | 5.01 | 5.03 | |
| 64.4 | 75397 | 73889 | 73520 | 72049 | 71401 | 4.88 | 4.92 | 4.93 | 4.94 | 4.96 | |

NOTE: Data highlighted in gray is extrapolated data and not actual test data.

Manufacturer reserves the right to change, at any time, specifications and designs without notice and without obligations.

COOLING PERFORMANCE DUCTED

“COOLING PERFORMANCE 18R (STANDARD)” on page 83

“COOLING PERFORMANCE 24HH (HIGH HEAT)” on page 87

“COOLING PERFORMANCE 30HH (HIGH HEAT)” on page 91

“COOLING PERFORMANCE 36R (STANDARD)” on page 95

“COOLING PERFORMANCE 36HH (HIGH HEAT)” on page 99

“COOLING PERFORMANCE 48R (STANDARD)” on page 103

“COOLING PERFORMANCE 48HH (HIGH HEAT)” on page 107

COOLING PERFORMANCE 18R (STANDARD)

DUCTED COOLING PERFORMANCE 18R (Sheet 1 of 4)

| AIRFLOW (CFM) | OUTDOOR DB (°F) | ID WB (°F) ID DB (°F) | 60.8 | | | | 64.4 | | | | 66.2 | | | | 71.6 | | | |
|---------------|-----------------|--------------------------|------|------|------|------|------|------|------|------|------|------|------|-------|------|------|------|------|
| | | | 73.4 | 77.0 | 80.6 | 84.2 | 73.4 | 77.0 | 80.6 | 84.2 | 73.4 | 77.0 | 80.0 | 84.20 | 73.4 | 77.0 | 80.6 | 84.2 |
| | | | 250 | -22 | TC | 8126 | 8137 | 8147 | 8158 | 8615 | 8625 | 8635 | 8646 | 9130 | 9142 | 9153 | 9164 | 9680 |
| S/T | 0.21 | 0.24 | | | 0.27 | 0.31 | 0.22 | 0.26 | 0.29 | 0.33 | 0.23 | 0.27 | 0.31 | 0.35 | 0.24 | 0.29 | 0.33 | 0.37 |
| PI | 0.59 | 0.60 | | | 0.60 | 0.60 | 0.63 | 0.63 | 0.63 | 0.63 | 0.67 | 0.67 | 0.67 | 0.67 | 0.71 | 0.71 | 0.71 | 0.71 |
| -10 | TC | 8066 | | 8077 | 8086 | 8097 | 8551 | 8561 | 8571 | 8582 | 9062 | 9074 | 9086 | 9096 | 9609 | 9619 | 9631 | 9643 |
| | S/T | 0.21 | | 0.24 | 0.28 | 0.31 | 0.22 | 0.26 | 0.29 | 0.33 | 0.23 | 0.27 | 0.31 | 0.35 | 0.25 | 0.29 | 0.33 | 0.37 |
| | PI | 0.60 | | 0.60 | 0.60 | 0.60 | 0.64 | 0.64 | 0.64 | 0.64 | 0.68 | 0.68 | 0.68 | 0.68 | 0.72 | 0.72 | 0.72 | 0.72 |
| 0 | TC | 8016 | | 8027 | 8036 | 8047 | 8498 | 8508 | 8518 | 8528 | 9006 | 9018 | 9029 | 9039 | 9549 | 9559 | 9571 | 9583 |
| | S/T | 0.21 | | 0.24 | 0.28 | 0.32 | 0.22 | 0.26 | 0.29 | 0.34 | 0.23 | 0.27 | 0.31 | 0.36 | 0.25 | 0.29 | 0.33 | 0.38 |
| | PI | 0.61 | | 0.61 | 0.61 | 0.61 | 0.65 | 0.65 | 0.65 | 0.65 | 0.68 | 0.68 | 0.69 | 0.69 | 0.73 | 0.73 | 0.73 | 0.73 |
| 5 | TC | 7991 | | 8002 | 8011 | 8022 | 8472 | 8482 | 8492 | 8502 | 8978 | 8989 | 9001 | 9011 | 9519 | 9529 | 9541 | 9553 |
| | S/T | 0.21 | | 0.25 | 0.28 | 0.32 | 0.22 | 0.26 | 0.30 | 0.34 | 0.23 | 0.28 | 0.31 | 0.36 | 0.25 | 0.29 | 0.33 | 0.38 |
| | PI | 0.61 | | 0.61 | 0.61 | 0.61 | 0.65 | 0.65 | 0.65 | 0.65 | 0.69 | 0.69 | 0.69 | 0.69 | 0.73 | 0.73 | 0.73 | 0.73 |
| 14 | TC | 7946 | | 7957 | 7966 | 7977 | 8424 | 8434 | 8444 | 8454 | 8927 | 8939 | 8950 | 8960 | 9465 | 9476 | 9487 | 9499 |
| | S/T | 0.21 | | 0.25 | 0.28 | 0.32 | 0.22 | 0.26 | 0.30 | 0.34 | 0.24 | 0.28 | 0.31 | 0.36 | 0.25 | 0.29 | 0.33 | 0.38 |
| | PI | 0.62 | | 0.62 | 0.62 | 0.62 | 0.65 | 0.66 | 0.66 | 0.66 | 0.69 | 0.69 | 0.70 | 0.70 | 0.74 | 0.74 | 0.74 | 0.74 |
| 17 | TC | 7931 | | 7942 | 7951 | 7961 | 8408 | 8418 | 8428 | 8438 | 8910 | 8922 | 8933 | 8943 | 9447 | 9458 | 9470 | 9481 |
| | S/T | 0.21 | | 0.25 | 0.28 | 0.32 | 0.22 | 0.26 | 0.30 | 0.34 | 0.24 | 0.28 | 0.32 | 0.36 | 0.25 | 0.29 | 0.33 | 0.38 |
| | PI | 0.62 | | 0.62 | 0.62 | 0.62 | 0.66 | 0.66 | 0.66 | 0.66 | 0.70 | 0.70 | 0.70 | 0.70 | 0.74 | 0.74 | 0.74 | 0.74 |
| 23 | TC | 7911 | | 7922 | 7931 | 7941 | 8387 | 8397 | 8407 | 8417 | 8888 | 8899 | 8911 | 8921 | 9424 | 9434 | 9446 | 9457 |
| | S/T | 0.21 | | 0.25 | 0.28 | 0.32 | 0.22 | 0.26 | 0.30 | 0.34 | 0.24 | 0.28 | 0.32 | 0.36 | 0.25 | 0.29 | 0.33 | 0.38 |
| | PI | 0.62 | | 0.62 | 0.62 | 0.62 | 0.66 | 0.66 | 0.66 | 0.66 | 0.70 | 0.70 | 0.70 | 0.70 | 0.74 | 0.74 | 0.74 | 0.74 |
| 32 | TC | 7881 | | 7892 | 7901 | 7911 | 8355 | 8365 | 8375 | 8385 | 8854 | 8866 | 8877 | 8887 | 9388 | 9398 | 9410 | 9421 |
| | S/T | 0.21 | | 0.25 | 0.28 | 0.32 | 0.22 | 0.26 | 0.30 | 0.34 | 0.24 | 0.28 | 0.32 | 0.36 | 0.25 | 0.30 | 0.34 | 0.38 |
| | PI | 0.63 | | 0.63 | 0.63 | 0.63 | 0.66 | 0.66 | 0.67 | 0.67 | 0.70 | 0.70 | 0.70 | 0.71 | 0.75 | 0.75 | 0.75 | 0.75 |
| 41 | TC | 7841 | | 7852 | 7860 | 7871 | 8312 | 8322 | 8332 | 8342 | 8809 | 8821 | 8832 | 8842 | 9340 | 9350 | 9362 | 9374 |
| | S/T | 0.21 | 0.25 | 0.28 | 0.32 | 0.23 | 0.26 | 0.30 | 0.34 | 0.24 | 0.28 | 0.32 | 0.36 | 0.25 | 0.30 | 0.34 | 0.39 | |
| | PI | 0.63 | 0.63 | 0.63 | 0.63 | 0.67 | 0.67 | 0.67 | 0.67 | 0.71 | 0.71 | 0.71 | 0.71 | 0.75 | 0.75 | 0.75 | 0.75 | |
| 47 | TC | 7811 | 7822 | 7830 | 7841 | 8280 | 8290 | 8300 | 8310 | 8775 | 8787 | 8798 | 8808 | 9304 | 9314 | 9326 | 9338 | |
| | S/T | 0.21 | 0.25 | 0.28 | 0.32 | 0.23 | 0.27 | 0.30 | 0.34 | 0.24 | 0.28 | 0.32 | 0.36 | 0.25 | 0.30 | 0.34 | 0.39 | |
| | PI | 0.63 | 0.64 | 0.64 | 0.64 | 0.67 | 0.67 | 0.67 | 0.68 | 0.71 | 0.71 | 0.71 | 0.72 | 0.76 | 0.76 | 0.76 | 0.76 | |
| 50 | TC | 7806 | 7816 | 7825 | 7835 | 8275 | 8285 | 8294 | 8304 | 8769 | 8781 | 8792 | 8802 | 9298 | 9308 | 9320 | 9331 | |
| | S/T | 0.21 | 0.25 | 0.29 | 0.33 | 0.23 | 0.27 | 0.30 | 0.35 | 0.24 | 0.28 | 0.32 | 0.37 | 0.26 | 0.30 | 0.34 | 0.39 | |
| | PI | 0.64 | 0.64 | 0.64 | 0.64 | 0.67 | 0.67 | 0.68 | 0.68 | 0.71 | 0.71 | 0.72 | 0.72 | 0.76 | 0.76 | 0.76 | 0.76 | |
| 59 | TC | 7789 | 7800 | 7808 | 7819 | 8257 | 8267 | 8277 | 8287 | 8751 | 8762 | 8774 | 8783 | 9278 | 9288 | 9300 | 9312 | |
| | S/T | 0.22 | 0.25 | 0.29 | 0.33 | 0.23 | 0.27 | 0.30 | 0.35 | 0.24 | 0.28 | 0.32 | 0.37 | 0.26 | 0.30 | 0.34 | 0.39 | |
| | PI | 0.64 | 0.64 | 0.64 | 0.64 | 0.68 | 0.68 | 0.68 | 0.68 | 0.72 | 0.72 | 0.72 | 0.72 | 0.76 | 0.76 | 0.76 | 0.76 | |
| 68 | TC | 7773 | 7783 | 7792 | 7803 | 8240 | 8250 | 8260 | 8269 | 8732 | 8744 | 8755 | 8765 | 9259 | 9269 | 9280 | 9292 | |
| | S/T | 0.22 | 0.25 | 0.29 | 0.33 | 0.23 | 0.27 | 0.31 | 0.35 | 0.24 | 0.29 | 0.32 | 0.37 | 0.26 | 0.30 | 0.34 | 0.39 | |
| | PI | 0.64 | 0.64 | 0.64 | 0.64 | 0.68 | 0.68 | 0.68 | 0.68 | 0.72 | 0.72 | 0.72 | 0.72 | 0.76 | 0.76 | 0.76 | 0.76 | |
| 77 | TC | 7757 | 7767 | 7776 | 7786 | 8223 | 8232 | 8242 | 8252 | 8714 | 8725 | 8737 | 8746 | 9239 | 9249 | 9261 | 9272 | |
| | S/T | 0.22 | 0.26 | 0.30 | 0.34 | 0.24 | 0.28 | 0.31 | 0.36 | 0.25 | 0.29 | 0.33 | 0.38 | 0.26 | 0.31 | 0.35 | 0.40 | |
| | PI | 0.64 | 0.64 | 0.64 | 0.64 | 0.68 | 0.68 | 0.68 | 0.68 | 0.72 | 0.72 | 0.72 | 0.72 | 0.76 | 0.76 | 0.77 | 0.77 | |
| 86 | TC | 7645 | 7655 | 7664 | 7674 | 8105 | 8114 | 8124 | 8133 | 8589 | 8600 | 8611 | 8621 | 9107 | 9117 | 9128 | 9139 | |
| | S/T | 0.22 | 0.26 | 0.30 | 0.34 | 0.24 | 0.28 | 0.32 | 0.36 | 0.25 | 0.30 | 0.34 | 0.38 | 0.27 | 0.31 | 0.36 | 0.41 | |
| | PI | 0.73 | 0.73 | 0.73 | 0.74 | 0.78 | 0.78 | 0.78 | 0.78 | 0.82 | 0.82 | 0.83 | 0.83 | 0.87 | 0.87 | 0.87 | 0.88 | |
| 95 | TC | 7607 | 7617 | 7626 | 7636 | 8064 | 8073 | 8083 | 8093 | 8546 | 8557 | 8568 | 8578 | 9061 | 9071 | 9082 | 9093 | |
| | S/T | 0.23 | 0.27 | 0.31 | 0.35 | 0.24 | 0.29 | 0.33 | 0.37 | 0.26 | 0.30 | 0.35 | 0.39 | 0.27 | 0.32 | 0.37 | 0.42 | |
| | PI | 0.76 | 0.76 | 0.76 | 0.76 | 0.80 | 0.80 | 0.80 | 0.80 | 0.85 | 0.85 | 0.85 | 0.85 | 0.90 | 0.90 | 0.90 | 0.90 | |
| 104 | TC | 5857 | 5865 | 5871 | 5879 | 6209 | 6216 | 6223 | 6231 | 6580 | 6588 | 6597 | 6604 | 6976 | 6984 | 6993 | 7001 | |
| | S/T | 0.24 | 0.28 | 0.32 | 0.37 | 0.26 | 0.30 | 0.34 | 0.39 | 0.27 | 0.32 | 0.36 | 0.41 | 0.29 | 0.34 | 0.38 | 0.44 | |
| | PI | 1.57 | 1.57 | 1.58 | 1.58 | 1.67 | 1.67 | 1.67 | 1.67 | 1.77 | 1.77 | 1.77 | 1.77 | 1.87 | 1.87 | 1.88 | 1.88 | |
| 114.8 | TC | 3757 | 3762 | 3766 | 3771 | 3983 | 3987 | 3992 | 3997 | 4221 | 4226 | 4232 | 4236 | 4475 | 4480 | 4485 | 4491 | |
| | S/T | 0.25 | 0.29 | 0.33 | 0.37 | 0.26 | 0.30 | 0.35 | 0.39 | 0.28 | 0.32 | 0.37 | 0.42 | 0.29 | 0.34 | 0.39 | 0.44 | |
| | PI | 2.55 | 2.56 | 2.56 | 2.56 | 2.71 | 2.71 | 2.71 | 2.72 | 2.87 | 2.87 | 2.87 | 2.88 | 3.04 | 3.04 | 3.05 | 3.05 | |
| 122 | TC | 2357 | 2360 | 2363 | 2366 | 2498 | 2501 | 2504 | 2507 | 2648 | 2651 | 2655 | 2658 | 2807 | 2810 | 2814 | 2817 | |
| | S/T | 0.25 | 0.30 | 0.34 | 0.39 | 0.27 | 0.32 | 0.36 | 0.41 | 0.29 | 0.33 | 0.38 | 0.43 | 0.30 | 0.35 | 0.40 | 0.46 | |
| | PI | 3.21 | 3.21 | 3.21 | 3.22 | 3.40 | 3.40 | 3.41 | 3.41 | 3.60 | 3.61 | 3.61 | 3.61 | 3.82 | 3.82 | 3.83 | 3.83 | |

DUCTED COOLING PERFORMANCE 18R (Sheet 2 of 4)

| AIRFLOW (CFM) | OUTDOOR DB (°F) | ID WB (°F) | 60.8 | | | | 64.4 | | | | 66.2 | | | | 71.6 | | | |
|---------------|-----------------|------------|------------|-------|-------|-------|-------|-------|-------|-------|-------|-------|-------|-------|-------|-------|-------|-------|
| | | | ID DB (°F) | 73.4 | 77.0 | 80.6 | 84.2 | 73.4 | 77.0 | 80.6 | 84.2 | 73.4 | 77.0 | 80.0 | 84.20 | 73.4 | 77.0 | 80.6 |
| 410 | -22 | TC | 13195 | 13213 | 13228 | 13246 | 13989 | 14005 | 14022 | 14038 | 14824 | 14844 | 14863 | 14880 | 15718 | 15735 | 15755 | 15774 |
| | | S/T | 0.31 | 0.37 | 0.42 | 0.48 | 0.33 | 0.39 | 0.44 | 0.50 | 0.35 | 0.41 | 0.47 | 0.53 | 0.37 | 0.44 | 0.50 | 0.57 |
| | | PI | 0.90 | 0.90 | 0.90 | 0.90 | 0.95 | 0.96 | 0.96 | 0.96 | 1.01 | 1.01 | 1.01 | 1.02 | 1.07 | 1.07 | 1.08 | 1.08 |
| | -10 | TC | 13098 | 13116 | 13130 | 13148 | 13885 | 13902 | 13918 | 13935 | 14715 | 14734 | 14753 | 14770 | 15602 | 15619 | 15638 | 15658 |
| | | S/T | 0.32 | 0.37 | 0.42 | 0.48 | 0.33 | 0.39 | 0.45 | 0.51 | 0.35 | 0.42 | 0.47 | 0.54 | 0.38 | 0.44 | 0.50 | 0.57 |
| | | PI | 0.91 | 0.91 | 0.91 | 0.92 | 0.97 | 0.97 | 0.97 | 0.97 | 1.02 | 1.03 | 1.03 | 1.03 | 1.09 | 1.09 | 1.09 | 1.09 |
| | 0 | TC | 13017 | 13034 | 13049 | 13066 | 13799 | 13815 | 13832 | 13848 | 14624 | 14643 | 14662 | 14678 | 15505 | 15522 | 15541 | 15561 |
| | | S/T | 0.32 | 0.37 | 0.42 | 0.48 | 0.34 | 0.39 | 0.45 | 0.51 | 0.36 | 0.42 | 0.47 | 0.54 | 0.38 | 0.44 | 0.50 | 0.57 |
| | | PI | 0.92 | 0.92 | 0.92 | 0.93 | 0.98 | 0.98 | 0.98 | 0.98 | 1.04 | 1.04 | 1.04 | 1.04 | 1.10 | 1.10 | 1.10 | 1.10 |
| | 5 | TC | 12976 | 12993 | 13008 | 13026 | 13756 | 13772 | 13788 | 13805 | 14578 | 14597 | 14616 | 14632 | 15457 | 15473 | 15493 | 15512 |
| | | S/T | 0.32 | 0.37 | 0.42 | 0.48 | 0.34 | 0.40 | 0.45 | 0.51 | 0.36 | 0.42 | 0.48 | 0.54 | 0.38 | 0.44 | 0.50 | 0.58 |
| | | PI | 0.93 | 0.93 | 0.93 | 0.93 | 0.98 | 0.98 | 0.98 | 0.99 | 1.04 | 1.04 | 1.04 | 1.04 | 1.10 | 1.10 | 1.11 | 1.11 |
| | 14 | TC | 12903 | 12920 | 12935 | 12952 | 13678 | 13694 | 13711 | 13727 | 14496 | 14514 | 14533 | 14550 | 15369 | 15386 | 15405 | 15425 |
| | | S/T | 0.32 | 0.37 | 0.43 | 0.49 | 0.34 | 0.40 | 0.45 | 0.51 | 0.36 | 0.42 | 0.48 | 0.55 | 0.38 | 0.45 | 0.51 | 0.58 |
| | | PI | 0.94 | 0.94 | 0.94 | 0.94 | 0.99 | 0.99 | 0.99 | 0.99 | 1.05 | 1.05 | 1.05 | 1.05 | 1.11 | 1.11 | 1.12 | 1.12 |
| | 17 | TC | 12878 | 12896 | 12910 | 12928 | 13652 | 13669 | 13685 | 13701 | 14468 | 14487 | 14506 | 14522 | 15340 | 15357 | 15376 | 15395 |
| | | S/T | 0.32 | 0.38 | 0.43 | 0.49 | 0.34 | 0.40 | 0.45 | 0.52 | 0.36 | 0.42 | 0.48 | 0.55 | 0.38 | 0.45 | 0.51 | 0.58 |
| | | PI | 0.94 | 0.94 | 0.94 | 0.94 | 0.99 | 0.99 | 0.99 | 1.00 | 1.05 | 1.06 | 1.06 | 1.06 | 1.12 | 1.12 | 1.12 | 1.12 |
| | 23 | TC | 12846 | 12863 | 12878 | 12895 | 13618 | 13634 | 13650 | 13666 | 14432 | 14450 | 14469 | 14485 | 15302 | 15318 | 15337 | 15356 |
| | | S/T | 0.32 | 0.38 | 0.43 | 0.49 | 0.34 | 0.40 | 0.45 | 0.52 | 0.36 | 0.42 | 0.48 | 0.55 | 0.38 | 0.45 | 0.51 | 0.58 |
| | | PI | 0.94 | 0.94 | 0.94 | 0.95 | 1.00 | 1.00 | 1.00 | 1.00 | 1.06 | 1.06 | 1.06 | 1.06 | 1.12 | 1.12 | 1.12 | 1.13 |
| | 32 | TC | 12797 | 12814 | 12829 | 12846 | 13566 | 13582 | 13598 | 13615 | 14377 | 14396 | 14414 | 14430 | 15244 | 15260 | 15279 | 15298 |
| | | S/T | 0.32 | 0.38 | 0.43 | 0.49 | 0.34 | 0.40 | 0.46 | 0.52 | 0.36 | 0.43 | 0.48 | 0.55 | 0.38 | 0.45 | 0.51 | 0.58 |
| | | PI | 0.95 | 0.95 | 0.95 | 0.95 | 1.00 | 1.01 | 1.01 | 1.01 | 1.06 | 1.07 | 1.07 | 1.07 | 1.13 | 1.13 | 1.13 | 1.13 |
| | 41 | TC | 12732 | 12749 | 12763 | 12781 | 13497 | 13513 | 13529 | 13545 | 14304 | 14322 | 14341 | 14357 | 15166 | 15183 | 15201 | 15220 |
| | | S/T | 0.32 | 0.38 | 0.43 | 0.49 | 0.34 | 0.40 | 0.46 | 0.52 | 0.36 | 0.43 | 0.49 | 0.55 | 0.39 | 0.45 | 0.51 | 0.59 |
| | | PI | 0.96 | 0.96 | 0.96 | 0.96 | 1.01 | 1.01 | 1.01 | 1.02 | 1.07 | 1.08 | 1.08 | 1.08 | 1.14 | 1.14 | 1.14 | 1.14 |
| | 47 | TC | 12683 | 12700 | 12715 | 12732 | 13446 | 13461 | 13477 | 13493 | 14249 | 14268 | 14286 | 14302 | 15108 | 15124 | 15143 | 15162 |
| | | S/T | 0.32 | 0.38 | 0.43 | 0.49 | 0.34 | 0.40 | 0.46 | 0.52 | 0.36 | 0.43 | 0.49 | 0.55 | 0.39 | 0.45 | 0.52 | 0.59 |
| | | PI | 0.96 | 0.96 | 0.96 | 0.96 | 1.02 | 1.02 | 1.02 | 1.02 | 1.08 | 1.08 | 1.08 | 1.08 | 1.14 | 1.15 | 1.15 | 1.15 |
| | 50 | TC | 12674 | 12691 | 12706 | 12723 | 13436 | 13452 | 13468 | 13484 | 14239 | 14258 | 14276 | 14292 | 15097 | 15114 | 15133 | 15152 |
| | | S/T | 0.33 | 0.38 | 0.43 | 0.50 | 0.35 | 0.41 | 0.46 | 0.52 | 0.37 | 0.43 | 0.49 | 0.56 | 0.39 | 0.46 | 0.52 | 0.59 |
| | | PI | 0.96 | 0.96 | 0.96 | 0.97 | 1.02 | 1.02 | 1.02 | 1.02 | 1.08 | 1.08 | 1.08 | 1.08 | 1.15 | 1.15 | 1.15 | 1.15 |
| | 59 | TC | 12648 | 12665 | 12679 | 12696 | 13408 | 13424 | 13440 | 13456 | 14209 | 14228 | 14246 | 14262 | 15066 | 15082 | 15101 | 15120 |
| | | S/T | 0.33 | 0.38 | 0.44 | 0.50 | 0.35 | 0.41 | 0.46 | 0.53 | 0.37 | 0.43 | 0.49 | 0.56 | 0.39 | 0.46 | 0.52 | 0.59 |
| | | PI | 0.96 | 0.97 | 0.97 | 0.97 | 1.02 | 1.02 | 1.03 | 1.03 | 1.08 | 1.09 | 1.09 | 1.09 | 1.15 | 1.15 | 1.15 | 1.15 |
| | 68 | TC | 12621 | 12638 | 12652 | 12669 | 13380 | 13396 | 13412 | 13428 | 14179 | 14198 | 14216 | 14232 | 15034 | 15051 | 15069 | 15088 |
| | | S/T | 0.33 | 0.39 | 0.44 | 0.50 | 0.35 | 0.41 | 0.47 | 0.53 | 0.37 | 0.43 | 0.49 | 0.56 | 0.39 | 0.46 | 0.52 | 0.60 |
| | | PI | 0.97 | 0.97 | 0.97 | 0.97 | 1.03 | 1.03 | 1.03 | 1.03 | 1.09 | 1.09 | 1.09 | 1.09 | 1.15 | 1.15 | 1.16 | 1.16 |
| | 77 | TC | 12595 | 12612 | 12626 | 12643 | 13352 | 13368 | 13383 | 13399 | 14150 | 14168 | 14186 | 14202 | 15003 | 15019 | 15038 | 15056 |
| | | S/T | 0.34 | 0.40 | 0.45 | 0.51 | 0.36 | 0.42 | 0.48 | 0.54 | 0.38 | 0.45 | 0.51 | 0.58 | 0.40 | 0.47 | 0.54 | 0.61 |
| | | PI | 0.97 | 0.97 | 0.97 | 0.97 | 1.03 | 1.03 | 1.03 | 1.03 | 1.09 | 1.09 | 1.09 | 1.10 | 1.16 | 1.16 | 1.16 | 1.16 |
| | 86 | TC | 12414 | 12430 | 12444 | 12461 | 13160 | 13175 | 13191 | 13207 | 13946 | 13964 | 13983 | 13998 | 14787 | 14803 | 14821 | 14840 |
| | | S/T | 0.34 | 0.40 | 0.46 | 0.52 | 0.36 | 0.43 | 0.48 | 0.55 | 0.38 | 0.45 | 0.51 | 0.58 | 0.41 | 0.48 | 0.54 | 0.62 |
| | | PI | 1.11 | 1.11 | 1.11 | 1.11 | 1.18 | 1.18 | 1.18 | 1.18 | 1.25 | 1.25 | 1.25 | 1.25 | 1.32 | 1.32 | 1.32 | 1.33 |
| | 95 | TC | 12352 | 12368 | 12382 | 12399 | 13094 | 13109 | 13125 | 13141 | 13876 | 13894 | 13912 | 13928 | 14713 | 14729 | 14747 | 14766 |
| | | S/T | 0.35 | 0.41 | 0.47 | 0.53 | 0.37 | 0.44 | 0.50 | 0.57 | 0.39 | 0.46 | 0.53 | 0.60 | 0.42 | 0.49 | 0.56 | 0.64 |
| | | PI | 1.14 | 1.15 | 1.15 | 1.15 | 1.21 | 1.21 | 1.22 | 1.22 | 1.28 | 1.29 | 1.29 | 1.29 | 1.36 | 1.36 | 1.37 | 1.37 |
| 104 | TC | 9510 | 9523 | 9533 | 9546 | 10082 | 10094 | 10105 | 10117 | 10684 | 10698 | 10712 | 10724 | 11328 | 11340 | 11355 | 11369 | |
| | S/T | 0.37 | 0.43 | 0.49 | 0.56 | 0.39 | 0.46 | 0.52 | 0.59 | 0.41 | 0.49 | 0.55 | 0.63 | 0.44 | 0.52 | 0.59 | 0.67 | |
| | PI | 2.38 | 2.38 | 2.39 | 2.39 | 2.52 | 2.53 | 2.53 | 2.53 | 2.67 | 2.68 | 2.68 | 2.68 | 2.84 | 2.84 | 2.84 | 2.85 | |
| 114.8 | TC | 6100 | 6108 | 6115 | 6123 | 6467 | 6474 | 6482 | 6490 | 6853 | 6862 | 6871 | 6879 | 7266 | 7274 | 7283 | 7292 | |
| | S/T | 0.37 | 0.44 | 0.50 | 0.57 | 0.40 | 0.46 | 0.53 | 0.60 | 0.42 | 0.49 | 0.56 | 0.64 | 0.44 | 0.52 | 0.59 | 0.68 | |
| | PI | 3.86 | 3.87 | 3.87 | 3.88 | 4.10 | 4.10 | 4.11 | 4.11 | 4.34 | 4.35 | 4.35 | 4.36 | 4.60 | 4.61 | 4.61 | 4.62 | |
| 122 | TC | 3827 | 3832 | 3836 | 3842 | 4057 | 4062 | 4067 | 4071 | 4299 | 4305 | 4311 | 4315 | 4559 | 4564 | 4569 | 4575 | |
| | S/T | 0.39 | 0.45 | 0.51 | 0.59 | 0.41 | 0.48 | 0.55 | 0.62 | 0.43 | 0.51 | 0.58 | 0.66 | 0.46 | 0.54 | 0.61 | 0.70 | |
| | PI | 4.85 | 4.86 | 4.86 | 4.87 | 5.14 | 5.15 | 5.16 | 5.16 | 5.45 | 5.46 | 5.47 | 5.47 | 5.78 | 5.79 | 5.79 | 5.80 | |

DUCTED COOLING PERFORMANCE 18R (Sheet 3 of 4)

| AIRFLOW (CFM) | OUTDOOR DB (°F) | ID WB (°F) | 60.8 | | | | 64.4 | | | | 66.2 | | | | 71.6 | | | | | | |
|---------------|-----------------|------------|-------|-------|-------|-------|-------|-------|-------|-------|-------|-------|-------|-------|-------|-------|-------|-------|-----|----|--|
| | | ID DB (°F) | 73.4 | 77.0 | 80.6 | 84.2 | 73.4 | 77.0 | 80.6 | 84.2 | 73.4 | 77.0 | 80.0 | 84.20 | 73.4 | 77.0 | 80.6 | 84.2 | | | |
| | | | TC | S/T | PI | TC | S/T | PI | TC | S/T | PI | TC | S/T | PI | TC | S/T | PI | TC | S/T | PI | |
| 630 | -22 | TC | 20075 | 20102 | 20125 | 20152 | 21282 | 21307 | 21332 | 21358 | 22554 | 22583 | 22612 | 22637 | 23913 | 23939 | 23969 | 23999 | | | |
| | | S/T | 0.48 | 0.56 | 0.63 | 0.72 | 0.50 | 0.59 | 0.67 | 0.77 | 0.53 | 0.63 | 0.71 | 0.81 | 0.57 | 0.67 | 0.76 | 0.86 | | | |
| | | PI | 1.37 | 1.37 | 1.37 | 1.38 | 1.45 | 1.45 | 1.46 | 1.46 | 1.54 | 1.54 | 1.54 | 1.55 | 1.63 | 1.63 | 1.64 | 1.64 | | | |
| | -10 | TC | 19927 | 19954 | 19976 | 20003 | 21124 | 21149 | 21175 | 21200 | 22387 | 22416 | 22445 | 22470 | 23736 | 23762 | 23792 | 23821 | | | |
| | | S/T | 0.48 | 0.56 | 0.64 | 0.73 | 0.51 | 0.60 | 0.68 | 0.77 | 0.54 | 0.63 | 0.72 | 0.82 | 0.57 | 0.67 | 0.76 | 0.87 | | | |
| | | PI | 1.39 | 1.39 | 1.39 | 1.39 | 1.47 | 1.47 | 1.47 | 1.48 | 1.56 | 1.56 | 1.56 | 1.56 | 1.65 | 1.65 | 1.66 | 1.66 | | | |
| | 0 | TC | 19803 | 19830 | 19852 | 19879 | 20993 | 21018 | 21043 | 21068 | 22248 | 22277 | 22306 | 22331 | 23589 | 23615 | 23644 | 23673 | | | |
| | | S/T | 0.48 | 0.57 | 0.64 | 0.73 | 0.51 | 0.60 | 0.68 | 0.78 | 0.54 | 0.64 | 0.72 | 0.82 | 0.57 | 0.67 | 0.77 | 0.87 | | | |
| | | PI | 1.40 | 1.40 | 1.41 | 1.41 | 1.49 | 1.49 | 1.49 | 1.49 | 1.58 | 1.58 | 1.58 | 1.58 | 1.67 | 1.67 | 1.67 | 1.68 | | | |
| | 5 | TC | 19741 | 19768 | 19790 | 19817 | 20928 | 20953 | 20977 | 21002 | 22178 | 22207 | 22236 | 22261 | 23515 | 23541 | 23570 | 23600 | | | |
| | | S/T | 0.48 | 0.57 | 0.64 | 0.73 | 0.51 | 0.60 | 0.68 | 0.78 | 0.54 | 0.64 | 0.72 | 0.83 | 0.58 | 0.68 | 0.77 | 0.88 | | | |
| | | PI | 1.41 | 1.41 | 1.41 | 1.41 | 1.49 | 1.50 | 1.50 | 1.50 | 1.58 | 1.59 | 1.59 | 1.59 | 1.68 | 1.68 | 1.68 | 1.68 | | | |
| | 14 | TC | 19630 | 19656 | 19678 | 19705 | 20810 | 20834 | 20859 | 20884 | 22053 | 22082 | 22111 | 22135 | 23383 | 23408 | 23437 | 23466 | | | |
| | | S/T | 0.49 | 0.57 | 0.65 | 0.74 | 0.51 | 0.60 | 0.69 | 0.78 | 0.55 | 0.64 | 0.73 | 0.83 | 0.58 | 0.68 | 0.77 | 0.88 | | | |
| | | PI | 1.42 | 1.42 | 1.43 | 1.43 | 1.51 | 1.51 | 1.51 | 1.51 | 1.60 | 1.60 | 1.60 | 1.60 | 1.69 | 1.69 | 1.70 | 1.70 | | | |
| | 17 | TC | 19593 | 19619 | 19641 | 19668 | 20770 | 20795 | 20820 | 20844 | 22012 | 22040 | 22069 | 22093 | 23339 | 23364 | 23393 | 23422 | | | |
| | | S/T | 0.49 | 0.57 | 0.65 | 0.74 | 0.52 | 0.61 | 0.69 | 0.78 | 0.55 | 0.64 | 0.73 | 0.83 | 0.58 | 0.68 | 0.77 | 0.88 | | | |
| | | PI | 1.43 | 1.43 | 1.43 | 1.43 | 1.51 | 1.51 | 1.52 | 1.52 | 1.60 | 1.61 | 1.61 | 1.61 | 1.70 | 1.70 | 1.70 | 1.71 | | | |
| | 23 | TC | 19543 | 19570 | 19592 | 19618 | 20718 | 20742 | 20767 | 20792 | 21956 | 21984 | 22013 | 22038 | 23280 | 23305 | 23334 | 23363 | | | |
| | | S/T | 0.49 | 0.57 | 0.65 | 0.74 | 0.52 | 0.61 | 0.69 | 0.79 | 0.55 | 0.64 | 0.73 | 0.83 | 0.58 | 0.68 | 0.78 | 0.88 | | | |
| | | PI | 1.43 | 1.43 | 1.44 | 1.44 | 1.52 | 1.52 | 1.52 | 1.52 | 1.61 | 1.61 | 1.61 | 1.61 | 1.62 | 1.71 | 1.71 | 1.71 | | | |
| | 32 | TC | 19469 | 19495 | 19517 | 19543 | 20639 | 20664 | 20688 | 20713 | 21873 | 21901 | 21929 | 21954 | 23191 | 23216 | 23245 | 23274 | | | |
| | | S/T | 0.49 | 0.58 | 0.65 | 0.75 | 0.52 | 0.61 | 0.69 | 0.79 | 0.55 | 0.65 | 0.74 | 0.84 | 0.58 | 0.69 | 0.78 | 0.89 | | | |
| | | PI | 1.44 | 1.44 | 1.44 | 1.45 | 1.53 | 1.53 | 1.53 | 1.53 | 1.62 | 1.62 | 1.62 | 1.63 | 1.72 | 1.72 | 1.72 | 1.72 | | | |
| | 41 | TC | 19370 | 19396 | 19418 | 19444 | 20534 | 20559 | 20583 | 20607 | 21761 | 21790 | 21818 | 21842 | 23073 | 23098 | 23127 | 23156 | | | |
| | | S/T | 0.49 | 0.58 | 0.66 | 0.75 | 0.52 | 0.61 | 0.70 | 0.79 | 0.55 | 0.65 | 0.74 | 0.84 | 0.59 | 0.69 | 0.78 | 0.89 | | | |
| | | PI | 1.45 | 1.45 | 1.46 | 1.46 | 1.54 | 1.54 | 1.54 | 1.55 | 1.63 | 1.64 | 1.64 | 1.64 | 1.73 | 1.73 | 1.73 | 1.74 | | | |
| | 47 | TC | 19296 | 19322 | 19344 | 19370 | 20456 | 20480 | 20504 | 20529 | 21678 | 21706 | 21734 | 21759 | 22985 | 23010 | 23039 | 23067 | | | |
| S/T | | 0.49 | 0.58 | 0.66 | 0.75 | 0.52 | 0.61 | 0.70 | 0.80 | 0.56 | 0.65 | 0.74 | 0.84 | 0.59 | 0.69 | 0.78 | 0.89 | | | | |
| PI | | 1.46 | 1.46 | 1.47 | 1.47 | 1.55 | 1.55 | 1.55 | 1.56 | 1.64 | 1.64 | 1.65 | 1.65 | 1.74 | 1.74 | 1.75 | 1.75 | | | | |
| 50 | TC | 19282 | 19308 | 19330 | 19356 | 20441 | 20466 | 20490 | 20514 | 21663 | 21691 | 21719 | 21744 | 22969 | 22994 | 23022 | 23051 | | | | |
| | S/T | 0.50 | 0.58 | 0.66 | 0.75 | 0.53 | 0.62 | 0.70 | 0.80 | 0.56 | 0.65 | 0.74 | 0.85 | 0.59 | 0.69 | 0.79 | 0.90 | | | | |
| | PI | 1.46 | 1.47 | 1.47 | 1.47 | 1.55 | 1.55 | 1.55 | 1.56 | 1.64 | 1.65 | 1.65 | 1.65 | 1.74 | 1.74 | 1.75 | 1.75 | | | | |
| 59 | TC | 19242 | 19268 | 19290 | 19316 | 20399 | 20423 | 20447 | 20471 | 21618 | 21646 | 21674 | 21698 | 22921 | 22946 | 22974 | 23003 | | | | |
| | S/T | 0.50 | 0.58 | 0.66 | 0.76 | 0.53 | 0.62 | 0.70 | 0.80 | 0.56 | 0.66 | 0.75 | 0.85 | 0.59 | 0.70 | 0.79 | 0.90 | | | | |
| | PI | 1.47 | 1.47 | 1.47 | 1.47 | 1.56 | 1.56 | 1.56 | 1.56 | 1.65 | 1.65 | 1.65 | 1.66 | 1.75 | 1.75 | 1.75 | 1.75 | | | | |
| 68 | TC | 19202 | 19227 | 19249 | 19275 | 20356 | 20380 | 20404 | 20428 | 21572 | 21600 | 21628 | 21652 | 22873 | 22897 | 22926 | 22954 | | | | |
| | S/T | 0.50 | 0.59 | 0.67 | 0.76 | 0.53 | 0.62 | 0.71 | 0.81 | 0.56 | 0.66 | 0.75 | 0.86 | 0.60 | 0.70 | 0.80 | 0.91 | | | | |
| | PI | 1.47 | 1.47 | 1.48 | 1.48 | 1.56 | 1.56 | 1.56 | 1.57 | 1.65 | 1.66 | 1.66 | 1.66 | 1.75 | 1.76 | 1.76 | 1.76 | | | | |
| 77 | TC | 19161 | 19187 | 19209 | 19234 | 20313 | 20337 | 20361 | 20385 | 21527 | 21555 | 21583 | 21607 | 22824 | 22849 | 22878 | 22906 | | | | |
| | S/T | 0.51 | 0.60 | 0.69 | 0.78 | 0.54 | 0.64 | 0.73 | 0.83 | 0.58 | 0.68 | 0.77 | 0.88 | 0.61 | 0.72 | 0.82 | 0.93 | | | | |
| | PI | 1.48 | 1.48 | 1.48 | 1.48 | 1.57 | 1.57 | 1.57 | 1.57 | 1.66 | 1.66 | 1.66 | 1.67 | 1.76 | 1.76 | 1.76 | 1.77 | | | | |
| 86 | TC | 18886 | 18911 | 18933 | 18958 | 20021 | 20045 | 20068 | 20092 | 21217 | 21245 | 21273 | 21296 | 22496 | 22521 | 22549 | 22577 | | | | |
| | S/T | 0.52 | 0.61 | 0.69 | 0.79 | 0.55 | 0.65 | 0.74 | 0.84 | 0.59 | 0.69 | 0.78 | 0.89 | 0.62 | 0.73 | 0.83 | 0.94 | | | | |
| | PI | 1.69 | 1.69 | 1.69 | 1.69 | 1.79 | 1.79 | 1.79 | 1.80 | 1.90 | 1.90 | 1.90 | 1.90 | 2.01 | 2.01 | 2.02 | 2.02 | | | | |
| 95 | TC | 18791 | 18817 | 18838 | 18863 | 19921 | 19944 | 19968 | 19992 | 21111 | 21139 | 21166 | 21190 | 22384 | 22408 | 22436 | 22464 | | | | |
| | S/T | 0.53 | 0.63 | 0.71 | 0.81 | 0.57 | 0.66 | 0.75 | 0.86 | 0.60 | 0.70 | 0.80 | 0.91 | 0.64 | 0.75 | 0.85 | 0.97 | | | | |
| | PI | 1.74 | 1.74 | 1.74 | 1.75 | 1.84 | 1.85 | 1.85 | 1.85 | 1.95 | 1.96 | 1.96 | 1.96 | 2.07 | 2.08 | 2.08 | 2.08 | | | | |
| 104 | TC | 14468 | 14488 | 14504 | 14524 | 15338 | 15356 | 15374 | 15392 | 16254 | 16275 | 16297 | 16315 | 17234 | 17253 | 17274 | 17296 | | | | |
| | S/T | 0.56 | 0.66 | 0.75 | 0.85 | 0.59 | 0.70 | 0.79 | 0.90 | 0.63 | 0.74 | 0.84 | 0.96 | 0.67 | 0.78 | 0.89 | 1.02 | | | | |
| | PI | 3.62 | 3.63 | 3.63 | 3.63 | 3.84 | 3.84 | 3.85 | 3.85 | 4.07 | 4.07 | 4.08 | 4.08 | 4.31 | 4.32 | 4.32 | 4.33 | | | | |
| 114.8 | TC | 9281 | 9293 | 9304 | 9316 | 9838 | 9850 | 9862 | 9873 | 10426 | 10440 | 10453 | 10465 | 11055 | 11067 | 11081 | 11094 | | | | |
| | S/T | 0.57 | 0.67 | 0.76 | 0.86 | 0.60 | 0.71 | 0.80 | 0.91 | 0.64 | 0.75 | 0.85 | 0.97 | 0.68 | 0.79 | 0.90 | 1.03 | | | | |
| | PI | 5.88 | 5.89 | 5.89 | 5.90 | 6.23 | 6.24 | 6.25 | 6.25 | 6.60 | 6.61 | 6.62 | 6.63 | 7.00 | 7.01 | 7.02 | 7.03 | | | | |
| 122 | TC | 5822 | 5830 | 5837 | 5844 | 6172 | 6179 | 6187 | 6194 | 6541 | 6549 | 6558 | 6565 | 6935 | 6943 | 6951 | 6960 | | | | |
| | S/T | 0.59 | 0.69 | 0.78 | 0.89 | 0.62 | 0.73 | 0.83 | 0.95 | 0.66 | 0.77 | 0.88 | 1.00 | 0.70 | 0.82 | 0.93 | 1.06 | | | | |
| | PI | 7.38 | 7.39 | 7.40 | 7.41 | 7.83 | 7.84 | 7.85 | 7.85 | 8.29 | 8.31 | 8.32 | 8.33 | 8.79 | 8.80 | 8.82 | 8.83 | | | | |

DUCTED COOLING PERFORMANCE 18R (Sheet 4 of 4)

| AIRFLOW (CFM) | OUTDOOR DB (°F) | ID WB (°F) | 60.8 | | | | 64.4 | | | | 66.2 | | | | 71.6 | | | |
|---------------|-----------------|------------|------------|-------|-------|-------|-------|-------|-------|-------|-------|-------|-------|-------|-------|-------|-------|-------|
| | | | ID DB (°F) | 73.4 | 77.0 | 80.6 | 84.2 | 73.4 | 77.0 | 80.6 | 84.2 | 73.4 | 77.0 | 80.0 | 84.20 | 73.4 | 77.0 | 80.6 |
| 640 | -22 | TC | 20192 | 20219 | 20242 | 20269 | 21406 | 21431 | 21456 | 21482 | 22685 | 22714 | 22744 | 22769 | 24052 | 24078 | 24108 | 24138 |
| | | S/T | 0.48 | 0.56 | 0.64 | 0.73 | 0.51 | 0.60 | 0.68 | 0.77 | 0.54 | 0.63 | 0.72 | 0.82 | 0.57 | 0.67 | 0.76 | 0.87 |
| | | PI | 1.38 | 1.38 | 1.38 | 1.38 | 1.46 | 1.46 | 1.46 | 1.47 | 1.55 | 1.55 | 1.55 | 1.55 | 1.64 | 1.64 | 1.65 | 1.65 |
| | -10 | TC | 20043 | 20070 | 20092 | 20119 | 21247 | 21272 | 21298 | 21323 | 22517 | 22546 | 22576 | 22601 | 23874 | 23900 | 23930 | 23960 |
| | | S/T | 0.48 | 0.57 | 0.64 | 0.73 | 0.51 | 0.60 | 0.68 | 0.78 | 0.54 | 0.64 | 0.72 | 0.82 | 0.57 | 0.67 | 0.77 | 0.87 |
| | | PI | 1.40 | 1.40 | 1.40 | 1.40 | 1.48 | 1.48 | 1.48 | 1.48 | 1.57 | 1.57 | 1.57 | 1.57 | 1.66 | 1.66 | 1.67 | 1.67 |
| | 0 | TC | 19918 | 19945 | 19967 | 19994 | 21115 | 21140 | 21165 | 21191 | 22377 | 22406 | 22435 | 22460 | 23726 | 23752 | 23781 | 23811 |
| | | S/T | 0.48 | 0.57 | 0.65 | 0.74 | 0.51 | 0.60 | 0.69 | 0.78 | 0.54 | 0.64 | 0.73 | 0.83 | 0.58 | 0.68 | 0.77 | 0.88 |
| | | PI | 1.41 | 1.41 | 1.41 | 1.42 | 1.50 | 1.50 | 1.50 | 1.50 | 1.58 | 1.59 | 1.59 | 1.59 | 1.59 | 1.68 | 1.68 | 1.68 |
| | 5 | TC | 19856 | 19883 | 19905 | 19932 | 21049 | 21074 | 21099 | 21124 | 22307 | 22336 | 22365 | 22390 | 23652 | 23678 | 23707 | 23737 |
| | | S/T | 0.49 | 0.57 | 0.65 | 0.74 | 0.52 | 0.60 | 0.69 | 0.78 | 0.55 | 0.64 | 0.73 | 0.83 | 0.58 | 0.68 | 0.77 | 0.88 |
| | | PI | 1.42 | 1.42 | 1.42 | 1.42 | 1.50 | 1.50 | 1.51 | 1.51 | 1.59 | 1.59 | 1.60 | 1.60 | 1.69 | 1.69 | 1.69 | 1.69 |
| | 14 | TC | 19744 | 19771 | 19793 | 19819 | 20931 | 20956 | 20980 | 21005 | 22181 | 22210 | 22239 | 22264 | 23519 | 23544 | 23574 | 23603 |
| | | S/T | 0.49 | 0.57 | 0.65 | 0.74 | 0.52 | 0.61 | 0.69 | 0.79 | 0.55 | 0.64 | 0.73 | 0.83 | 0.58 | 0.68 | 0.78 | 0.88 |
| | | PI | 1.43 | 1.43 | 1.43 | 1.44 | 1.52 | 1.52 | 1.52 | 1.52 | 1.61 | 1.61 | 1.61 | 1.61 | 1.70 | 1.71 | 1.71 | 1.71 |
| | 17 | TC | 19707 | 19733 | 19755 | 19782 | 20891 | 20916 | 20941 | 20966 | 22140 | 22168 | 22197 | 22222 | 23474 | 23500 | 23529 | 23558 |
| | | S/T | 0.49 | 0.57 | 0.65 | 0.74 | 0.52 | 0.61 | 0.69 | 0.79 | 0.55 | 0.65 | 0.73 | 0.84 | 0.58 | 0.68 | 0.78 | 0.89 |
| | | PI | 1.44 | 1.44 | 1.44 | 1.44 | 1.52 | 1.52 | 1.53 | 1.53 | 1.61 | 1.61 | 1.62 | 1.62 | 1.71 | 1.71 | 1.71 | 1.72 |
| | 23 | TC | 19657 | 19683 | 19705 | 19732 | 20838 | 20863 | 20888 | 20913 | 22084 | 22112 | 22141 | 22166 | 23415 | 23440 | 23470 | 23499 |
| | | S/T | 0.49 | 0.58 | 0.65 | 0.75 | 0.52 | 0.61 | 0.69 | 0.79 | 0.55 | 0.65 | 0.74 | 0.84 | 0.58 | 0.69 | 0.78 | 0.89 |
| | | PI | 1.44 | 1.44 | 1.44 | 1.45 | 1.53 | 1.53 | 1.53 | 1.53 | 1.62 | 1.62 | 1.62 | 1.62 | 1.72 | 1.72 | 1.72 | 1.72 |
| | 32 | TC | 19582 | 19609 | 19631 | 19657 | 20759 | 20784 | 20808 | 20833 | 22000 | 22028 | 22057 | 22082 | 23326 | 23351 | 23380 | 23410 |
| | | S/T | 0.49 | 0.58 | 0.66 | 0.75 | 0.52 | 0.61 | 0.70 | 0.80 | 0.55 | 0.65 | 0.74 | 0.84 | 0.59 | 0.69 | 0.78 | 0.89 |
| | | PI | 1.45 | 1.45 | 1.45 | 1.46 | 1.54 | 1.54 | 1.54 | 1.54 | 1.63 | 1.63 | 1.63 | 1.63 | 1.73 | 1.73 | 1.73 | 1.73 |
| | 41 | TC | 19483 | 19509 | 19531 | 19557 | 20654 | 20678 | 20703 | 20727 | 21888 | 21916 | 21945 | 21969 | 23207 | 23233 | 23262 | 23291 |
| | | S/T | 0.50 | 0.58 | 0.66 | 0.75 | 0.53 | 0.62 | 0.70 | 0.80 | 0.56 | 0.65 | 0.74 | 0.85 | 0.59 | 0.69 | 0.79 | 0.90 |
| | | PI | 1.46 | 1.46 | 1.47 | 1.47 | 1.55 | 1.55 | 1.55 | 1.55 | 1.64 | 1.64 | 1.65 | 1.65 | 1.74 | 1.74 | 1.74 | 1.75 |
| | 47 | TC | 19408 | 19434 | 19456 | 19482 | 20575 | 20599 | 20623 | 20648 | 21804 | 21832 | 21861 | 21885 | 23119 | 23144 | 23172 | 23201 |
| | | S/T | 0.50 | 0.58 | 0.66 | 0.76 | 0.53 | 0.62 | 0.70 | 0.80 | 0.56 | 0.66 | 0.74 | 0.85 | 0.59 | 0.69 | 0.79 | 0.90 |
| | | PI | 1.47 | 1.47 | 1.47 | 1.48 | 1.56 | 1.56 | 1.56 | 1.56 | 1.65 | 1.65 | 1.66 | 1.66 | 1.75 | 1.75 | 1.76 | 1.76 |
| | 50 | TC | 19395 | 19421 | 19442 | 19469 | 20560 | 20585 | 20609 | 20633 | 21789 | 21817 | 21846 | 21870 | 23102 | 23128 | 23156 | 23185 |
| | | S/T | 0.50 | 0.58 | 0.66 | 0.76 | 0.53 | 0.62 | 0.70 | 0.80 | 0.56 | 0.66 | 0.75 | 0.85 | 0.59 | 0.70 | 0.79 | 0.90 |
| | | PI | 1.47 | 1.47 | 1.48 | 1.48 | 1.56 | 1.56 | 1.56 | 1.57 | 1.65 | 1.66 | 1.66 | 1.66 | 1.75 | 1.76 | 1.76 | 1.76 |
| | 59 | TC | 19354 | 19380 | 19402 | 19428 | 20517 | 20541 | 20566 | 20590 | 21743 | 21771 | 21800 | 21824 | 23054 | 23079 | 23108 | 23137 |
| | | S/T | 0.50 | 0.59 | 0.67 | 0.76 | 0.53 | 0.62 | 0.71 | 0.81 | 0.56 | 0.66 | 0.75 | 0.86 | 0.60 | 0.70 | 0.80 | 0.91 |
| | | PI | 1.48 | 1.48 | 1.48 | 1.48 | 1.57 | 1.57 | 1.57 | 1.57 | 1.66 | 1.66 | 1.66 | 1.66 | 1.76 | 1.76 | 1.76 | 1.77 |
| | 68 | TC | 19313 | 19339 | 19361 | 19387 | 20474 | 20498 | 20523 | 20547 | 21698 | 21726 | 21754 | 21778 | 23006 | 23031 | 23059 | 23088 |
| | | S/T | 0.50 | 0.59 | 0.67 | 0.77 | 0.53 | 0.63 | 0.71 | 0.81 | 0.57 | 0.66 | 0.75 | 0.86 | 0.60 | 0.70 | 0.80 | 0.91 |
| | | PI | 1.48 | 1.48 | 1.48 | 1.49 | 1.57 | 1.57 | 1.57 | 1.58 | 1.66 | 1.67 | 1.67 | 1.67 | 1.76 | 1.77 | 1.77 | 1.77 |
| | 77 | TC | 19273 | 19299 | 19320 | 19346 | 20431 | 20455 | 20479 | 20504 | 21652 | 21680 | 21708 | 21732 | 22957 | 22982 | 23011 | 23039 |
| | | S/T | 0.52 | 0.61 | 0.69 | 0.79 | 0.55 | 0.64 | 0.73 | 0.83 | 0.58 | 0.68 | 0.77 | 0.88 | 0.62 | 0.72 | 0.82 | 0.94 |
| | | PI | 1.49 | 1.49 | 1.49 | 1.49 | 1.58 | 1.58 | 1.58 | 1.58 | 1.67 | 1.67 | 1.67 | 1.68 | 1.77 | 1.77 | 1.77 | 1.78 |
| | 86 | TC | 18996 | 19021 | 19043 | 19068 | 20137 | 20161 | 20185 | 20209 | 21341 | 21368 | 21396 | 21420 | 22627 | 22652 | 22680 | 22708 |
| | | S/T | 0.52 | 0.61 | 0.70 | 0.80 | 0.56 | 0.65 | 0.74 | 0.84 | 0.59 | 0.69 | 0.78 | 0.89 | 0.62 | 0.73 | 0.83 | 0.95 |
| | | PI | 1.70 | 1.70 | 1.70 | 1.70 | 1.80 | 1.80 | 1.80 | 1.81 | 1.91 | 1.91 | 1.91 | 1.91 | 2.02 | 2.02 | 2.03 | 2.03 |
| | 95 | TC | 18901 | 18926 | 18947 | 18973 | 20037 | 20060 | 20084 | 20108 | 21234 | 21261 | 21289 | 21313 | 22514 | 22538 | 22566 | 22595 |
| | | S/T | 0.54 | 0.63 | 0.72 | 0.82 | 0.57 | 0.67 | 0.76 | 0.87 | 0.60 | 0.71 | 0.80 | 0.92 | 0.64 | 0.75 | 0.85 | 0.97 |
| | | PI | 1.75 | 1.75 | 1.75 | 1.76 | 1.86 | 1.86 | 1.86 | 1.86 | 1.97 | 1.97 | 1.97 | 1.97 | 2.08 | 2.09 | 2.09 | 2.09 |
| 104 | TC | 14552 | 14572 | 14588 | 14608 | 15427 | 15445 | 15464 | 15482 | 16349 | 16370 | 16391 | 16410 | 17334 | 17353 | 17375 | 17397 | |
| | S/T | 0.56 | 0.66 | 0.75 | 0.86 | 0.60 | 0.70 | 0.80 | 0.91 | 0.63 | 0.74 | 0.84 | 0.96 | 0.67 | 0.79 | 0.90 | 1.02 | |
| | PI | 3.64 | 3.65 | 3.65 | 3.66 | 3.86 | 3.87 | 3.87 | 3.87 | 4.09 | 4.10 | 4.10 | 4.11 | 4.34 | 4.34 | 4.35 | 4.35 | |
| 114.8 | TC | 9335 | 9347 | 9358 | 9370 | 9896 | 9907 | 9919 | 9931 | 10487 | 10501 | 10514 | 10526 | 11119 | 11131 | 11145 | 11159 | |
| | S/T | 0.57 | 0.67 | 0.76 | 0.87 | 0.60 | 0.71 | 0.81 | 0.92 | 0.64 | 0.75 | 0.85 | 0.97 | 0.68 | 0.80 | 0.91 | 1.03 | |
| | PI | 5.91 | 5.92 | 5.93 | 5.94 | 6.27 | 6.28 | 6.28 | 6.29 | 6.64 | 6.65 | 6.66 | 6.67 | 7.04 | 7.05 | 7.06 | 7.07 | |
| 122 | TC | 5856 | 5864 | 5870 | 5878 | 6208 | 6215 | 6223 | 6230 | 6579 | 6588 | 6596 | 6603 | 6976 | 6983 | 6992 | 7001 | |
| | S/T | 0.59 | 0.69 | 0.79 | 0.90 | 0.63 | 0.73 | 0.84 | 0.95 | 0.66 | 0.78 | 0.89 | 1.01 | 0.70 | 0.83 | 0.94 | 1.07 | |
| | PI | 7.43 | 7.44 | 7.44 | 7.45 | 7.87 | 7.88 | 7.89 | 7.90 | 8.34 | 8.35 | 8.36 | 8.37 | 8.85 | 8.86 | 8.87 | 8.88 | |

NOTE: Data highlighted in gray is extrapolated data and not actual test data. At 77°F outdoor conditions sweat protection activates causing a decrease in total capacity.

LEGEND

- TC - Total Net Capacity (Btu/hour)
- S/T: Sensible Cooling Capacity Ratio
- PI: Power Input (kW)
- Extrapolated Data

COOLING PERFORMANCE DUCTED

COOLING PERFORMANCE 24HH (HIGH HEAT)

DUCTED COOLING PERFORMANCE 24HH (Sheet 1 of 4)

| AIRFLOW (CFM) | OUTDOOR DB (°F) | ID WB (°F) | | 60.8 | | | | 64.4 | | | | 66.2 | | | | 71.6 | | | |
|------------------|--------------------|------------|-------|-------|-------|-------|-------|-------|-------|-------|-------|-------|-------|-------|-------|-------|-------|-------|------|
| | | ID | WB | 73.4 | 77.0 | 80.6 | 84.2 | 73.4 | 77.0 | 80.6 | 84.2 | 73.4 | 77.0 | 80.0 | 84.20 | 73.4 | 77.0 | 80.6 | 84.2 |
| 375 | -22 | TC | 13609 | 13628 | 13643 | 13661 | 14427 | 14444 | 14461 | 14479 | 15289 | 15309 | 15329 | 15346 | 16211 | 16229 | 16249 | 16269 | |
| | | S/T | 0.21 | 0.24 | 0.27 | 0.31 | 0.22 | 0.26 | 0.29 | 0.33 | 0.23 | 0.27 | 0.31 | 0.35 | 0.24 | 0.29 | 0.33 | 0.37 | |
| | | PI | 0.90 | 0.90 | 0.90 | 0.91 | 0.96 | 0.96 | 0.96 | 0.96 | 1.01 | 1.01 | 1.02 | 1.02 | 1.07 | 1.08 | 1.08 | 1.08 | |
| | -10 | TC | 13489 | 13507 | 13522 | 13541 | 14300 | 14317 | 14334 | 14351 | 15154 | 15174 | 15194 | 15211 | 16068 | 16085 | 16105 | 16125 | |
| | | S/T | 0.21 | 0.24 | 0.28 | 0.31 | 0.22 | 0.26 | 0.29 | 0.33 | 0.23 | 0.27 | 0.31 | 0.35 | 0.25 | 0.29 | 0.33 | 0.37 | |
| | | PI | 0.92 | 0.92 | 0.92 | 0.92 | 0.98 | 0.98 | 0.98 | 0.98 | 1.03 | 1.04 | 1.04 | 1.04 | 1.10 | 1.10 | 1.10 | 1.10 | |
| | 0 | TC | 13389 | 13407 | 13422 | 13440 | 14194 | 14210 | 14227 | 14244 | 15042 | 15061 | 15081 | 15098 | 15949 | 15966 | 15986 | 16006 | |
| | | S/T | 0.21 | 0.24 | 0.28 | 0.32 | 0.22 | 0.26 | 0.29 | 0.34 | 0.23 | 0.27 | 0.31 | 0.36 | 0.25 | 0.29 | 0.33 | 0.38 | |
| | | PI | 0.94 | 0.94 | 0.94 | 0.94 | 0.99 | 0.99 | 1.00 | 1.00 | 1.05 | 1.05 | 1.05 | 1.06 | 1.12 | 1.12 | 1.12 | 1.12 | |
| | 5 | TC | 13339 | 13357 | 13372 | 13390 | 14141 | 14157 | 14174 | 14191 | 14986 | 15005 | 15025 | 15041 | 15889 | 15906 | 15926 | 15946 | |
| | | S/T | 0.21 | 0.25 | 0.28 | 0.32 | 0.22 | 0.26 | 0.30 | 0.34 | 0.23 | 0.28 | 0.31 | 0.36 | 0.25 | 0.29 | 0.33 | 0.38 | |
| | | PI | 0.94 | 0.95 | 0.95 | 0.95 | 1.00 | 1.00 | 1.00 | 1.00 | 1.06 | 1.06 | 1.06 | 1.06 | 1.12 | 1.13 | 1.13 | 1.13 | |
| | 14 | TC | 13249 | 13267 | 13281 | 13299 | 14045 | 14062 | 14078 | 14095 | 14884 | 14904 | 14923 | 14940 | 15782 | 15799 | 15818 | 15838 | |
| | | S/T | 0.21 | 0.25 | 0.28 | 0.32 | 0.22 | 0.26 | 0.30 | 0.34 | 0.24 | 0.28 | 0.31 | 0.36 | 0.25 | 0.29 | 0.33 | 0.38 | |
| | | PI | 0.96 | 0.96 | 0.96 | 0.96 | 1.02 | 1.02 | 1.02 | 1.02 | 1.08 | 1.08 | 1.08 | 1.08 | 1.14 | 1.14 | 1.14 | 1.15 | |
| | 17 | TC | 13219 | 13236 | 13251 | 13269 | 14013 | 14030 | 14046 | 14063 | 14851 | 14870 | 14889 | 14906 | 15746 | 15763 | 15783 | 15802 | |
| | | S/T | 0.21 | 0.25 | 0.28 | 0.32 | 0.22 | 0.26 | 0.30 | 0.34 | 0.24 | 0.28 | 0.32 | 0.36 | 0.25 | 0.29 | 0.33 | 0.38 | |
| | | PI | 0.96 | 0.96 | 0.97 | 0.97 | 1.02 | 1.02 | 1.02 | 1.02 | 1.08 | 1.08 | 1.09 | 1.09 | 1.15 | 1.15 | 1.15 | 1.15 | |
| | 23 | TC | 13179 | 13196 | 13211 | 13229 | 13971 | 13987 | 14004 | 14020 | 14806 | 14825 | 14844 | 14861 | 15698 | 15715 | 15735 | 15754 | |
| | | S/T | 0.21 | 0.25 | 0.28 | 0.32 | 0.22 | 0.26 | 0.30 | 0.34 | 0.24 | 0.28 | 0.32 | 0.36 | 0.25 | 0.29 | 0.33 | 0.38 | |
| | | PI | 0.97 | 0.97 | 0.97 | 0.97 | 1.03 | 1.03 | 1.03 | 1.03 | 1.09 | 1.09 | 1.09 | 1.09 | 1.15 | 1.16 | 1.16 | 1.16 | |
| | 32 | TC | 13119 | 13136 | 13151 | 13169 | 13907 | 13923 | 13940 | 13957 | 14738 | 14757 | 14776 | 14793 | 15626 | 15643 | 15663 | 15682 | |
| | | S/T | 0.21 | 0.25 | 0.28 | 0.32 | 0.22 | 0.26 | 0.30 | 0.34 | 0.24 | 0.28 | 0.32 | 0.36 | 0.25 | 0.30 | 0.34 | 0.38 | |
| | | PI | 0.98 | 0.98 | 0.98 | 0.98 | 1.04 | 1.04 | 1.04 | 1.04 | 1.10 | 1.10 | 1.10 | 1.10 | 1.17 | 1.17 | 1.17 | 1.17 | |
| | 41 | TC | 13038 | 13056 | 13071 | 13088 | 13822 | 13838 | 13855 | 13871 | 14648 | 14667 | 14686 | 14703 | 15531 | 15548 | 15567 | 15587 | |
| | | S/T | 0.21 | 0.25 | 0.28 | 0.32 | 0.23 | 0.26 | 0.30 | 0.34 | 0.24 | 0.28 | 0.32 | 0.36 | 0.25 | 0.30 | 0.34 | 0.39 | |
| | | PI | 1.00 | 1.00 | 1.00 | 1.00 | 1.06 | 1.06 | 1.06 | 1.07 | 1.12 | 1.13 | 1.13 | 1.13 | 1.19 | 1.19 | 1.20 | 1.20 | |
| | 47 | TC | 12978 | 12996 | 13010 | 13028 | 13758 | 13775 | 13791 | 13807 | 14581 | 14599 | 14618 | 14635 | 15459 | 15476 | 15496 | 15515 | |
| | | S/T | 0.21 | 0.25 | 0.28 | 0.32 | 0.23 | 0.27 | 0.30 | 0.34 | 0.24 | 0.28 | 0.32 | 0.36 | 0.25 | 0.30 | 0.34 | 0.39 | |
| | | PI | 1.02 | 1.02 | 1.02 | 1.02 | 1.08 | 1.08 | 1.08 | 1.09 | 1.15 | 1.15 | 1.15 | 1.15 | 1.21 | 1.22 | 1.22 | 1.22 | |
| | 50 | TC | 12951 | 12968 | 12983 | 13001 | 13729 | 13746 | 13762 | 13778 | 14550 | 14569 | 14588 | 14604 | 15427 | 15444 | 15463 | 15482 | |
| | | S/T | 0.21 | 0.25 | 0.29 | 0.33 | 0.23 | 0.27 | 0.30 | 0.35 | 0.24 | 0.28 | 0.32 | 0.37 | 0.26 | 0.30 | 0.34 | 0.39 | |
| | | PI | 1.03 | 1.03 | 1.03 | 1.03 | 1.09 | 1.09 | 1.09 | 1.09 | 1.15 | 1.16 | 1.16 | 1.16 | 1.22 | 1.22 | 1.23 | 1.23 | |
| | 59 | TC | 12869 | 12887 | 12901 | 12918 | 13643 | 13659 | 13675 | 13691 | 14458 | 14477 | 14496 | 14512 | 15330 | 15346 | 15365 | 15384 | |
| | | S/T | 0.22 | 0.25 | 0.29 | 0.33 | 0.23 | 0.27 | 0.30 | 0.35 | 0.24 | 0.28 | 0.32 | 0.37 | 0.26 | 0.30 | 0.34 | 0.39 | |
| | | PI | 1.05 | 1.05 | 1.05 | 1.05 | 1.11 | 1.11 | 1.11 | 1.11 | 1.18 | 1.18 | 1.18 | 1.18 | 1.25 | 1.25 | 1.25 | 1.25 | |
| | 68 | TC | 12787 | 12805 | 12819 | 12836 | 13556 | 13572 | 13588 | 13604 | 14366 | 14385 | 14403 | 14420 | 15232 | 15249 | 15268 | 15287 | |
| | | S/T | 0.22 | 0.25 | 0.29 | 0.33 | 0.23 | 0.27 | 0.31 | 0.35 | 0.24 | 0.29 | 0.32 | 0.37 | 0.26 | 0.30 | 0.34 | 0.39 | |
| | | PI | 1.07 | 1.07 | 1.07 | 1.07 | 1.13 | 1.13 | 1.13 | 1.14 | 1.20 | 1.20 | 1.20 | 1.20 | 1.27 | 1.27 | 1.28 | 1.28 | |
| | 77 | TC | 12706 | 12723 | 12737 | 12754 | 13469 | 13485 | 13501 | 13517 | 14274 | 14293 | 14311 | 14327 | 15135 | 15151 | 15170 | 15189 | |
| | | S/T | 0.22 | 0.26 | 0.30 | 0.34 | 0.24 | 0.28 | 0.31 | 0.36 | 0.25 | 0.29 | 0.33 | 0.38 | 0.26 | 0.31 | 0.35 | 0.40 | |
| | | PI | 1.09 | 1.09 | 1.09 | 1.09 | 1.15 | 1.16 | 1.16 | 1.16 | 1.22 | 1.22 | 1.23 | 1.23 | 1.30 | 1.30 | 1.30 | 1.30 | |
| | 86 | TC | 11018 | 11033 | 11045 | 11060 | 11680 | 11694 | 11708 | 11722 | 12378 | 12394 | 12410 | 12424 | 13124 | 13138 | 13155 | 13171 | |
| | | S/T | 0.22 | 0.26 | 0.30 | 0.34 | 0.24 | 0.28 | 0.32 | 0.36 | 0.25 | 0.30 | 0.34 | 0.38 | 0.27 | 0.31 | 0.36 | 0.41 | |
| | | PI | 1.17 | 1.17 | 1.18 | 1.18 | 1.24 | 1.25 | 1.25 | 1.25 | 1.32 | 1.32 | 1.32 | 1.32 | 1.40 | 1.40 | 1.40 | 1.40 | |
| | 95 | TC | 10565 | 10580 | 10591 | 10606 | 11200 | 11214 | 11227 | 11240 | 11870 | 11885 | 11900 | 11914 | 12585 | 12599 | 12615 | 12630 | |
| | | S/T | 0.23 | 0.27 | 0.31 | 0.35 | 0.24 | 0.29 | 0.33 | 0.37 | 0.26 | 0.30 | 0.35 | 0.39 | 0.27 | 0.32 | 0.37 | 0.42 | |
| | | PI | 1.21 | 1.21 | 1.21 | 1.21 | 1.28 | 1.28 | 1.28 | 1.29 | 1.36 | 1.36 | 1.36 | 1.36 | 1.44 | 1.44 | 1.44 | 1.45 | |
| | 104 | TC | 9595 | 9608 | 9619 | 9632 | 10172 | 10184 | 10196 | 10208 | 10779 | 10793 | 10807 | 10820 | 11429 | 11442 | 11456 | 11470 | |
| | | S/T | 0.24 | 0.28 | 0.32 | 0.37 | 0.26 | 0.30 | 0.34 | 0.39 | 0.27 | 0.32 | 0.36 | 0.41 | 0.29 | 0.34 | 0.38 | 0.44 | |
| | | PI | 2.55 | 2.55 | 2.55 | 2.56 | 2.70 | 2.70 | 2.71 | 2.71 | 2.86 | 2.87 | 2.87 | 2.87 | 3.03 | 3.04 | 3.04 | 3.05 | |
| | 114.8 | TC | 8431 | 8442 | 8451 | 8463 | 8937 | 8948 | 8958 | 8969 | 9471 | 9484 | 9496 | 9506 | 10042 | 10053 | 10066 | 10078 | |
| | | S/T | 0.25 | 0.29 | 0.33 | 0.37 | 0.26 | 0.30 | 0.35 | 0.39 | 0.28 | 0.32 | 0.37 | 0.42 | 0.29 | 0.34 | 0.39 | 0.44 | |
| | | PI | 4.15 | 4.16 | 4.16 | 4.17 | 4.40 | 4.41 | 4.41 | 4.42 | 4.67 | 4.67 | 4.68 | 4.68 | 4.95 | 4.95 | 4.96 | 4.97 | |
| | 122 | TC | 7654 | 7665 | 7673 | 7683 | 8114 | 8124 | 8133 | 8143 | 8599 | 8610 | 8621 | 8631 | 9118 | 9127 | 9139 | 9150 | |
| S/T | | 0.25 | 0.30 | 0.34 | 0.39 | 0.27 | 0.32 | 0.36 | 0.41 | 0.29 | 0.33 | 0.38 | 0.43 | 0.30 | 0.35 | 0.40 | 0.46 | | |
| PI | | 5.23 | 5.23 | 5.24 | 5.25 | 5.54 | 5.55 | 5.55 | 5.56 | 5.87 | 5.88 | 5.89 | 5.89 | 6.22 | 6.23 | 6.24 | 6.25 | | |

DUCTED COOLING PERFORMANCE 24HH (Sheet 2 of 4)

| AIRFLOW (CFM) | OUTDOOR DB (°F) | ID WB (°F) | | 60.8 | | | | 64.4 | | | | 66.2 | | | | 71.6 | | | |
|---------------|-----------------|------------|----|-------|-------|-------|-------|-------|-------|-------|-------|-------|-------|-------|-------|-------|-------|-------|-------|
| | | ID | WB | 73.4 | 77.0 | 80.6 | 84.2 | 73.4 | 77.0 | 80.6 | 84.2 | 73.4 | 77.0 | 80.0 | 84.20 | 73.4 | 77.0 | 80.6 | 84.2 |
| | | ID | DB | (°F) | (°F) | (°F) | (°F) | (°F) | (°F) | (°F) | (°F) | (°F) | (°F) | (°F) | (°F) | (°F) | (°F) | (°F) | (°F) |
| 615 | -22 | TC | | 22098 | 22128 | 22153 | 22183 | 23426 | 23454 | 23482 | 23510 | 24826 | 24858 | 24891 | 24919 | 26323 | 26351 | 26384 | 26417 |
| | | S/T | | 0.31 | 0.37 | 0.42 | 0.48 | 0.33 | 0.39 | 0.44 | 0.50 | 0.35 | 0.41 | 0.47 | 0.53 | 0.37 | 0.44 | 0.50 | 0.57 |
| | | PI | | 1.37 | 1.37 | 1.37 | 1.37 | 1.45 | 1.45 | 1.45 | 1.45 | 1.53 | 1.54 | 1.54 | 1.54 | 1.63 | 1.63 | 1.63 | 1.63 |
| | -10 | TC | | 21903 | 21932 | 21957 | 21987 | 23219 | 23247 | 23274 | 23302 | 24607 | 24639 | 24671 | 24698 | 26090 | 26119 | 26151 | 26184 |
| | | S/T | | 0.32 | 0.37 | 0.42 | 0.48 | 0.33 | 0.39 | 0.45 | 0.51 | 0.35 | 0.42 | 0.47 | 0.54 | 0.38 | 0.44 | 0.50 | 0.57 |
| | | PI | | 1.39 | 1.40 | 1.40 | 1.40 | 1.48 | 1.48 | 1.48 | 1.48 | 1.57 | 1.57 | 1.57 | 1.57 | 1.66 | 1.66 | 1.66 | 1.67 |
| | 0 | TC | | 21740 | 21770 | 21794 | 21823 | 23047 | 23074 | 23102 | 23129 | 24424 | 24456 | 24488 | 24515 | 25897 | 25925 | 25957 | 25989 |
| | | S/T | | 0.32 | 0.37 | 0.42 | 0.48 | 0.34 | 0.39 | 0.45 | 0.51 | 0.36 | 0.42 | 0.47 | 0.54 | 0.38 | 0.44 | 0.50 | 0.57 |
| | | PI | | 1.42 | 1.42 | 1.42 | 1.42 | 1.50 | 1.50 | 1.51 | 1.51 | 1.59 | 1.59 | 1.60 | 1.60 | 1.69 | 1.69 | 1.69 | 1.69 |
| | 5 | TC | | 21659 | 21688 | 21713 | 21742 | 22961 | 22988 | 23015 | 23043 | 24333 | 24365 | 24396 | 24423 | 25800 | 25828 | 25860 | 25892 |
| | | S/T | | 0.32 | 0.37 | 0.42 | 0.48 | 0.34 | 0.40 | 0.45 | 0.51 | 0.36 | 0.42 | 0.48 | 0.54 | 0.38 | 0.44 | 0.50 | 0.58 |
| | | PI | | 1.43 | 1.43 | 1.43 | 1.44 | 1.52 | 1.52 | 1.52 | 1.52 | 1.61 | 1.61 | 1.61 | 1.61 | 1.70 | 1.70 | 1.71 | 1.71 |
| | 14 | TC | | 21513 | 21542 | 21566 | 21595 | 22806 | 22833 | 22860 | 22887 | 24169 | 24200 | 24231 | 24258 | 25626 | 25653 | 25685 | 25717 |
| | | S/T | | 0.32 | 0.37 | 0.43 | 0.49 | 0.34 | 0.40 | 0.45 | 0.51 | 0.36 | 0.42 | 0.48 | 0.55 | 0.38 | 0.45 | 0.51 | 0.58 |
| | | PI | | 1.45 | 1.45 | 1.45 | 1.46 | 1.54 | 1.54 | 1.54 | 1.54 | 1.63 | 1.63 | 1.63 | 1.64 | 1.73 | 1.73 | 1.73 | 1.73 |
| | 17 | TC | | 21464 | 21493 | 21517 | 21546 | 22754 | 22781 | 22808 | 22835 | 24114 | 24145 | 24176 | 24203 | 25567 | 25595 | 25627 | 25659 |
| | | S/T | | 0.32 | 0.38 | 0.43 | 0.49 | 0.34 | 0.40 | 0.45 | 0.52 | 0.36 | 0.42 | 0.48 | 0.55 | 0.38 | 0.45 | 0.51 | 0.58 |
| | | PI | | 1.46 | 1.46 | 1.46 | 1.46 | 1.55 | 1.55 | 1.55 | 1.55 | 1.64 | 1.64 | 1.64 | 1.64 | 1.74 | 1.74 | 1.74 | 1.74 |
| | 23 | TC | | 21399 | 21428 | 21452 | 21481 | 22685 | 22712 | 22739 | 22766 | 24041 | 24072 | 24103 | 24130 | 25490 | 25518 | 25549 | 25581 |
| | | S/T | | 0.32 | 0.38 | 0.43 | 0.49 | 0.34 | 0.40 | 0.45 | 0.52 | 0.36 | 0.42 | 0.48 | 0.55 | 0.38 | 0.45 | 0.51 | 0.58 |
| | | PI | | 1.47 | 1.47 | 1.47 | 1.47 | 1.56 | 1.56 | 1.56 | 1.56 | 1.65 | 1.65 | 1.65 | 1.66 | 1.75 | 1.75 | 1.75 | 1.75 |
| | 32 | TC | | 21301 | 21330 | 21354 | 21383 | 22582 | 22608 | 22635 | 22662 | 23931 | 23962 | 23993 | 24020 | 25374 | 25401 | 25433 | 25465 |
| | | S/T | | 0.32 | 0.38 | 0.43 | 0.49 | 0.34 | 0.40 | 0.46 | 0.52 | 0.36 | 0.43 | 0.48 | 0.55 | 0.38 | 0.45 | 0.51 | 0.58 |
| | | PI | | 1.48 | 1.48 | 1.49 | 1.49 | 1.57 | 1.57 | 1.57 | 1.58 | 1.67 | 1.67 | 1.67 | 1.67 | 1.77 | 1.77 | 1.77 | 1.77 |
| | 41 | TC | | 21171 | 21200 | 21224 | 21252 | 22444 | 22470 | 22497 | 22524 | 23785 | 23816 | 23847 | 23873 | 25219 | 25246 | 25278 | 25309 |
| | | S/T | | 0.32 | 0.38 | 0.43 | 0.49 | 0.34 | 0.40 | 0.46 | 0.52 | 0.36 | 0.43 | 0.49 | 0.55 | 0.39 | 0.45 | 0.51 | 0.59 |
| | | PI | | 1.52 | 1.52 | 1.52 | 1.52 | 1.61 | 1.61 | 1.61 | 1.61 | 1.70 | 1.70 | 1.71 | 1.71 | 1.81 | 1.81 | 1.81 | 1.81 |
| | 47 | TC | | 21074 | 21102 | 21126 | 21154 | 22340 | 22367 | 22393 | 22420 | 23675 | 23706 | 23737 | 23763 | 25103 | 25130 | 25161 | 25192 |
| | | S/T | | 0.32 | 0.38 | 0.43 | 0.49 | 0.34 | 0.40 | 0.46 | 0.52 | 0.36 | 0.43 | 0.49 | 0.55 | 0.39 | 0.45 | 0.52 | 0.59 |
| | | PI | | 1.54 | 1.55 | 1.55 | 1.55 | 1.64 | 1.64 | 1.64 | 1.64 | 1.73 | 1.74 | 1.74 | 1.74 | 1.84 | 1.84 | 1.84 | 1.85 |
| | 50 | TC | | 21029 | 21058 | 21081 | 21110 | 22293 | 22320 | 22346 | 22373 | 23626 | 23656 | 23687 | 23713 | 25050 | 25077 | 25108 | 25140 |
| | | S/T | | 0.33 | 0.38 | 0.43 | 0.50 | 0.35 | 0.41 | 0.46 | 0.52 | 0.37 | 0.43 | 0.49 | 0.56 | 0.39 | 0.46 | 0.52 | 0.59 |
| | | PI | | 1.55 | 1.56 | 1.56 | 1.56 | 1.65 | 1.65 | 1.65 | 1.65 | 1.75 | 1.75 | 1.75 | 1.75 | 1.85 | 1.85 | 1.86 | 1.86 |
| | 59 | TC | | 20897 | 20925 | 20948 | 20976 | 22153 | 22179 | 22205 | 22231 | 23476 | 23507 | 23537 | 23564 | 24892 | 24919 | 24950 | 24981 |
| | | S/T | | 0.33 | 0.38 | 0.44 | 0.50 | 0.35 | 0.41 | 0.46 | 0.53 | 0.37 | 0.43 | 0.49 | 0.56 | 0.39 | 0.46 | 0.52 | 0.59 |
| | | PI | | 1.59 | 1.59 | 1.59 | 1.59 | 1.68 | 1.68 | 1.68 | 1.69 | 1.78 | 1.78 | 1.79 | 1.79 | 1.89 | 1.89 | 1.89 | 1.90 |
| | 68 | TC | | 20764 | 20792 | 20815 | 20843 | 22012 | 22038 | 22064 | 22090 | 23327 | 23357 | 23388 | 23414 | 24733 | 24760 | 24791 | 24822 |
| | | S/T | | 0.33 | 0.39 | 0.44 | 0.50 | 0.35 | 0.41 | 0.47 | 0.53 | 0.37 | 0.43 | 0.49 | 0.56 | 0.39 | 0.46 | 0.52 | 0.60 |
| | | PI | | 1.62 | 1.62 | 1.62 | 1.62 | 1.71 | 1.72 | 1.72 | 1.72 | 1.82 | 1.82 | 1.82 | 1.82 | 1.93 | 1.93 | 1.93 | 1.93 |
| | 77 | TC | | 20631 | 20659 | 20682 | 20710 | 21871 | 21897 | 21923 | 21949 | 23178 | 23208 | 23238 | 23264 | 24575 | 24602 | 24633 | 24663 |
| | | S/T | | 0.34 | 0.40 | 0.45 | 0.51 | 0.36 | 0.42 | 0.48 | 0.54 | 0.38 | 0.45 | 0.51 | 0.58 | 0.40 | 0.47 | 0.54 | 0.61 |
| | | PI | | 1.65 | 1.65 | 1.65 | 1.65 | 1.75 | 1.75 | 1.75 | 1.75 | 1.85 | 1.85 | 1.86 | 1.86 | 1.96 | 1.97 | 1.97 | 1.97 |
| | 86 | TC | | 17890 | 17914 | 17934 | 17959 | 18965 | 18988 | 19010 | 19033 | 20099 | 20125 | 20151 | 20174 | 21310 | 21334 | 21360 | 21387 |
| | | S/T | | 0.34 | 0.40 | 0.46 | 0.52 | 0.36 | 0.43 | 0.48 | 0.55 | 0.38 | 0.45 | 0.51 | 0.58 | 0.41 | 0.48 | 0.54 | 0.62 |
| | | PI | | 1.78 | 1.78 | 1.78 | 1.78 | 1.88 | 1.89 | 1.89 | 1.89 | 2.00 | 2.00 | 2.00 | 2.00 | 2.12 | 2.12 | 2.12 | 2.12 |
| | 95 | TC | | 17156 | 17179 | 17198 | 17221 | 18187 | 18208 | 18230 | 18251 | 19273 | 19298 | 19324 | 19345 | 20435 | 20458 | 20483 | 20509 |
| | | S/T | | 0.35 | 0.41 | 0.47 | 0.53 | 0.37 | 0.44 | 0.50 | 0.57 | 0.39 | 0.46 | 0.53 | 0.60 | 0.42 | 0.49 | 0.56 | 0.64 |
| | | PI | | 1.83 | 1.83 | 1.83 | 1.84 | 1.94 | 1.94 | 1.94 | 1.95 | 2.06 | 2.06 | 2.06 | 2.06 | 2.18 | 2.18 | 2.18 | 2.19 |
| | 104 | TC | | 15580 | 15601 | 15618 | 15639 | 16516 | 16536 | 16555 | 16575 | 17503 | 17526 | 17549 | 17568 | 18558 | 18579 | 18602 | 18625 |
| | | S/T | | 0.37 | 0.43 | 0.49 | 0.56 | 0.39 | 0.46 | 0.52 | 0.59 | 0.41 | 0.49 | 0.55 | 0.63 | 0.44 | 0.52 | 0.59 | 0.67 |
| | | PI | | 3.86 | 3.86 | 3.87 | 3.87 | 4.09 | 4.09 | 4.10 | 4.10 | 4.33 | 4.34 | 4.34 | 4.35 | 4.59 | 4.60 | 4.61 | 4.61 |
| | 114.8 | TC | | 13689 | 13708 | 13723 | 13741 | 14512 | 14529 | 14546 | 14564 | 15379 | 15399 | 15419 | 15436 | 16306 | 16324 | 16344 | 16365 |
| | | S/T | | 0.37 | 0.44 | 0.50 | 0.57 | 0.40 | 0.46 | 0.53 | 0.60 | 0.42 | 0.49 | 0.56 | 0.64 | 0.44 | 0.52 | 0.59 | 0.68 |
| | | PI | | 6.29 | 6.30 | 6.31 | 6.31 | 6.67 | 6.68 | 6.68 | 6.69 | 7.07 | 7.08 | 7.08 | 7.09 | 7.49 | 7.50 | 7.51 | 7.52 |
| | 122 | TC | | 12429 | 12445 | 12459 | 12476 | 13176 | 13191 | 13207 | 13223 | 13963 | 13981 | 13999 | 14015 | 14805 | 14821 | 14839 | 14858 |
| | | S/T | | 0.39 | 0.45 | 0.51 | 0.59 | 0.41 | 0.48 | 0.55 | 0.62 | 0.43 | 0.51 | 0.58 | 0.66 | 0.46 | 0.54 | 0.61 | 0.70 |
| | | PI | | 7.91 | 7.92 | 7.93 | 7.94 | 8.39 | 8.40 | 8.41 | 8.42 | 8.89 | 8.90 | 8.91 | 8.92 | 9.42 | 9.43 | 9.45 | 9.46 |

DUCTED COOLING PERFORMANCE 24HH (Sheet 3 of 4)

| AIRFLOW (CFM) | OUTDOOR DB (°F) | ID WB (°F) | | 60.8 | | | | 64.4 | | | | 66.2 | | | | 71.6 | | | |
|---------------|-----------------|------------|-------|-------|-------|-------|-------|-------|-------|-------|-------|-------|-------|-------|-------|-------|-------|-------|----|
| | | ID DB (°F) | 73.4 | 77.0 | 80.6 | 84.2 | 73.4 | 77.0 | 80.6 | 84.2 | 73.4 | 77.0 | 80.0 | 84.20 | 73.4 | 77.0 | 80.6 | 84.2 | |
| | | | | | | | | | | | | | | | | | | | TC |
| 945 | -22 | TC | 33619 | 33665 | 33702 | 33748 | 35640 | 35682 | 35725 | 35767 | 37770 | 37819 | 37868 | 37910 | 40047 | 40090 | 40140 | 40190 | |
| | | S/T | 0.48 | 0.56 | 0.63 | 0.72 | 0.50 | 0.59 | 0.67 | 0.77 | 0.53 | 0.63 | 0.71 | 0.81 | 0.57 | 0.67 | 0.76 | 0.86 | |
| | | PI | 2.08 | 2.08 | 2.08 | 2.09 | 2.20 | 2.20 | 2.21 | 2.21 | 2.33 | 2.34 | 2.34 | 2.34 | 2.47 | 2.48 | 2.48 | 2.48 | |
| | -10 | TC | 33323 | 33367 | 33405 | 33450 | 35325 | 35367 | 35409 | 35451 | 37436 | 37485 | 37534 | 37576 | 39693 | 39736 | 39786 | 39835 | |
| | | S/T | 0.48 | 0.56 | 0.64 | 0.73 | 0.51 | 0.60 | 0.68 | 0.77 | 0.54 | 0.63 | 0.72 | 0.82 | 0.57 | 0.67 | 0.76 | 0.87 | |
| | | PI | 2.12 | 2.12 | 2.13 | 2.13 | 2.25 | 2.25 | 2.25 | 2.26 | 2.38 | 2.39 | 2.39 | 2.39 | 2.53 | 2.53 | 2.53 | 2.54 | |
| | 0 | TC | 33075 | 33120 | 33157 | 33202 | 35063 | 35105 | 35146 | 35188 | 37158 | 37207 | 37255 | 37297 | 39398 | 39441 | 39490 | 39540 | |
| | | S/T | 0.48 | 0.57 | 0.64 | 0.73 | 0.51 | 0.60 | 0.68 | 0.78 | 0.54 | 0.64 | 0.72 | 0.82 | 0.57 | 0.67 | 0.77 | 0.87 | |
| | | PI | 2.16 | 2.16 | 2.16 | 2.17 | 2.29 | 2.29 | 2.29 | 2.29 | 2.42 | 2.43 | 2.43 | 2.43 | 2.57 | 2.57 | 2.57 | 2.58 | |
| | 5 | TC | 32952 | 32996 | 33033 | 33077 | 34932 | 34973 | 35015 | 35056 | 37019 | 37068 | 37116 | 37157 | 39251 | 39294 | 39343 | 39392 | |
| | | S/T | 0.48 | 0.57 | 0.64 | 0.73 | 0.51 | 0.60 | 0.68 | 0.78 | 0.54 | 0.64 | 0.72 | 0.83 | 0.58 | 0.68 | 0.77 | 0.88 | |
| | | PI | 2.18 | 2.18 | 2.18 | 2.18 | 2.31 | 2.31 | 2.31 | 2.31 | 2.44 | 2.45 | 2.45 | 2.45 | 2.59 | 2.59 | 2.60 | 2.60 | |
| | 14 | TC | 32729 | 32773 | 32810 | 32854 | 34696 | 34737 | 34778 | 34820 | 36769 | 36817 | 36865 | 36906 | 38986 | 39028 | 39077 | 39126 | |
| | | S/T | 0.49 | 0.57 | 0.65 | 0.74 | 0.51 | 0.60 | 0.69 | 0.78 | 0.55 | 0.64 | 0.73 | 0.83 | 0.58 | 0.68 | 0.77 | 0.88 | |
| | | PI | 2.21 | 2.21 | 2.21 | 2.22 | 2.34 | 2.34 | 2.35 | 2.35 | 2.48 | 2.48 | 2.49 | 2.49 | 2.63 | 2.63 | 2.64 | 2.64 | |
| | 17 | TC | 32655 | 32699 | 32735 | 32779 | 34617 | 34658 | 34699 | 34741 | 36686 | 36734 | 36781 | 36822 | 38898 | 38940 | 38988 | 39037 | |
| | | S/T | 0.49 | 0.57 | 0.65 | 0.74 | 0.52 | 0.61 | 0.69 | 0.78 | 0.55 | 0.64 | 0.73 | 0.83 | 0.58 | 0.68 | 0.77 | 0.88 | |
| | | PI | 2.22 | 2.22 | 2.22 | 2.23 | 2.35 | 2.35 | 2.36 | 2.36 | 2.49 | 2.50 | 2.50 | 2.50 | 2.64 | 2.65 | 2.65 | 2.65 | |
| | 23 | TC | 32556 | 32600 | 32636 | 32680 | 34512 | 34553 | 34594 | 34635 | 36575 | 36622 | 36670 | 36711 | 38780 | 38822 | 38870 | 38919 | |
| | | S/T | 0.49 | 0.57 | 0.65 | 0.74 | 0.52 | 0.61 | 0.69 | 0.79 | 0.55 | 0.64 | 0.73 | 0.83 | 0.58 | 0.68 | 0.78 | 0.88 | |
| | | PI | 2.23 | 2.24 | 2.24 | 2.24 | 2.37 | 2.37 | 2.37 | 2.38 | 2.51 | 2.51 | 2.52 | 2.52 | 2.66 | 2.66 | 2.67 | 2.67 | |
| | 32 | TC | 32407 | 32451 | 32487 | 32531 | 34355 | 34396 | 34437 | 34477 | 36408 | 36455 | 36503 | 36543 | 38603 | 38645 | 38693 | 38741 | |
| | | S/T | 0.49 | 0.58 | 0.65 | 0.75 | 0.52 | 0.61 | 0.69 | 0.79 | 0.55 | 0.65 | 0.74 | 0.84 | 0.58 | 0.69 | 0.78 | 0.89 | |
| | | PI | 2.25 | 2.26 | 2.26 | 2.26 | 2.39 | 2.39 | 2.40 | 2.40 | 2.53 | 2.54 | 2.54 | 2.54 | 2.69 | 2.69 | 2.69 | 2.70 | |
| | 41 | TC | 32209 | 32253 | 32289 | 32332 | 34145 | 34186 | 34226 | 34267 | 36186 | 36233 | 36280 | 36320 | 38367 | 38409 | 38457 | 38504 | |
| | | S/T | 0.49 | 0.58 | 0.66 | 0.75 | 0.52 | 0.61 | 0.70 | 0.79 | 0.55 | 0.65 | 0.74 | 0.84 | 0.59 | 0.69 | 0.78 | 0.89 | |
| | | PI | 2.31 | 2.31 | 2.31 | 2.31 | 2.44 | 2.45 | 2.45 | 2.45 | 2.59 | 2.59 | 2.60 | 2.60 | 2.75 | 2.75 | 2.75 | 2.76 | |
| | 47 | TC | 32061 | 32104 | 32140 | 32183 | 33988 | 34028 | 34068 | 34109 | 36019 | 36066 | 36113 | 36153 | 38190 | 38232 | 38279 | 38327 | |
| | | S/T | 0.49 | 0.58 | 0.66 | 0.75 | 0.52 | 0.61 | 0.70 | 0.80 | 0.56 | 0.65 | 0.74 | 0.84 | 0.59 | 0.69 | 0.78 | 0.89 | |
| | | PI | 2.35 | 2.35 | 2.35 | 2.36 | 2.49 | 2.49 | 2.50 | 2.50 | 2.64 | 2.64 | 2.65 | 2.65 | 2.80 | 2.80 | 2.80 | 2.81 | |
| | 50 | TC | 31994 | 32037 | 32073 | 32116 | 33917 | 33957 | 33997 | 34037 | 35943 | 35990 | 36037 | 36077 | 38110 | 38151 | 38199 | 38247 | |
| | | S/T | 0.50 | 0.58 | 0.66 | 0.75 | 0.53 | 0.62 | 0.70 | 0.80 | 0.56 | 0.65 | 0.74 | 0.85 | 0.59 | 0.69 | 0.79 | 0.90 | |
| | | PI | 2.36 | 2.37 | 2.37 | 2.37 | 2.51 | 2.51 | 2.51 | 2.52 | 2.66 | 2.66 | 2.66 | 2.67 | 2.82 | 2.82 | 2.82 | 2.83 | |
| | 59 | TC | 31792 | 31834 | 31870 | 31913 | 33702 | 33742 | 33782 | 33822 | 35716 | 35763 | 35809 | 35849 | 37869 | 37911 | 37958 | 38005 | |
| | | S/T | 0.50 | 0.58 | 0.66 | 0.76 | 0.53 | 0.62 | 0.70 | 0.80 | 0.56 | 0.66 | 0.75 | 0.85 | 0.59 | 0.70 | 0.79 | 0.90 | |
| | | PI | 2.41 | 2.42 | 2.42 | 2.42 | 2.56 | 2.56 | 2.56 | 2.57 | 2.71 | 2.71 | 2.72 | 2.72 | 2.87 | 2.88 | 2.88 | 2.88 | |
| | 68 | TC | 31590 | 31632 | 31668 | 31710 | 33488 | 33528 | 33568 | 33607 | 35489 | 35535 | 35582 | 35621 | 37629 | 37670 | 37717 | 37763 | |
| | | S/T | 0.50 | 0.59 | 0.67 | 0.76 | 0.53 | 0.62 | 0.71 | 0.81 | 0.56 | 0.66 | 0.75 | 0.86 | 0.60 | 0.70 | 0.80 | 0.91 | |
| | | PI | 2.46 | 2.46 | 2.47 | 2.47 | 2.61 | 2.61 | 2.61 | 2.62 | 2.76 | 2.77 | 2.77 | 2.77 | 2.93 | 2.93 | 2.94 | 2.94 | |
| | 77 | TC | 31387 | 31430 | 31465 | 31507 | 33274 | 33313 | 33353 | 33392 | 35262 | 35308 | 35354 | 35393 | 37388 | 37429 | 37475 | 37522 | |
| | | S/T | 0.51 | 0.60 | 0.69 | 0.78 | 0.54 | 0.64 | 0.73 | 0.83 | 0.58 | 0.68 | 0.77 | 0.88 | 0.61 | 0.72 | 0.82 | 0.93 | |
| | | PI | 2.51 | 2.51 | 2.51 | 2.52 | 2.66 | 2.66 | 2.66 | 2.67 | 2.82 | 2.82 | 2.82 | 2.83 | 2.99 | 2.99 | 2.99 | 3.00 | |
| | 86 | TC | 27218 | 27254 | 27285 | 27322 | 28854 | 28888 | 28922 | 28956 | 30578 | 30617 | 30657 | 30691 | 32421 | 32456 | 32497 | 32537 | |
| | | S/T | 0.52 | 0.61 | 0.69 | 0.79 | 0.55 | 0.65 | 0.74 | 0.84 | 0.59 | 0.69 | 0.78 | 0.89 | 0.62 | 0.73 | 0.83 | 0.94 | |
| | | PI | 2.70 | 2.71 | 2.71 | 2.71 | 2.87 | 2.87 | 2.87 | 2.88 | 3.04 | 3.04 | 3.04 | 3.05 | 3.22 | 3.22 | 3.23 | 3.23 | |
| | 95 | TC | 26100 | 26135 | 26164 | 26200 | 27669 | 27701 | 27734 | 27767 | 29322 | 29360 | 29398 | 29431 | 31090 | 31124 | 31162 | 31201 | |
| | | S/T | 0.53 | 0.63 | 0.71 | 0.81 | 0.57 | 0.66 | 0.75 | 0.86 | 0.60 | 0.70 | 0.80 | 0.91 | 0.64 | 0.75 | 0.85 | 0.97 | |
| | | PI | 2.78 | 2.79 | 2.79 | 2.79 | 2.95 | 2.95 | 2.96 | 2.96 | 3.13 | 3.13 | 3.14 | 3.14 | 3.32 | 3.32 | 3.32 | 3.33 | |
| | 104 | TC | 23703 | 23735 | 23761 | 23793 | 25127 | 25157 | 25187 | 25217 | 26629 | 26664 | 26698 | 26728 | 28234 | 28265 | 28300 | 28335 | |
| | | S/T | 0.56 | 0.66 | 0.75 | 0.85 | 0.59 | 0.70 | 0.79 | 0.90 | 0.63 | 0.74 | 0.84 | 0.96 | 0.67 | 0.78 | 0.89 | 1.02 | |
| | | PI | 5.87 | 5.88 | 5.88 | 5.89 | 6.22 | 6.23 | 6.24 | 6.24 | 6.59 | 6.60 | 6.61 | 6.62 | 6.99 | 7.00 | 7.01 | 7.01 | |
| | 114.8 | TC | 20826 | 20854 | 20878 | 20906 | 22078 | 22104 | 22130 | 22157 | 23397 | 23428 | 23458 | 23484 | 24808 | 24835 | 24866 | 24897 | |
| | | S/T | 0.57 | 0.67 | 0.76 | 0.86 | 0.60 | 0.71 | 0.80 | 0.91 | 0.64 | 0.75 | 0.85 | 0.97 | 0.68 | 0.79 | 0.90 | 1.03 | |
| | | PI | 9.57 | 9.58 | 9.59 | 9.61 | 10.14 | 10.16 | 10.17 | 10.18 | 10.75 | 10.76 | 10.78 | 10.79 | 11.40 | 11.41 | 11.42 | 11.44 | |
| | 122 | TC | 18909 | 18934 | 18955 | 18981 | 20045 | 20069 | 20093 | 20116 | 21243 | 21270 | 21298 | 21322 | 22523 | 22548 | 22576 | 22604 | |
| | | S/T | 0.59 | 0.69 | 0.78 | 0.89 | 0.62 | 0.73 | 0.83 | 0.95 | 0.66 | 0.77 | 0.88 | 1.00 | 0.70 | 0.82 | 0.93 | 1.06 | |
| | | PI | 12.04 | 12.05 | 12.07 | 12.08 | 12.76 | 12.77 | 12.79 | 12.80 | 13.52 | 13.54 | 13.56 | 13.57 | 14.34 | 14.35 | 14.37 | 14.39 | |

DUCTED COOLING PERFORMANCE 24HH (Sheet 4 of 4)

| AIRFLOW (CFM) | OUTDOOR DB (°F) | ID WB (°F) ID DB (°F) | 60.8 | | | | 64.4 | | | | 66.2 | | | | 71.6 | | | |
|------------------|--------------------|--------------------------|-------|-------|-------|-------|-------|-------|-------|-------|-------|-------|-------|-------|-------|-------|-------|-------|
| | | | 73.4 | 77.0 | 80.6 | 84.2 | 73.4 | 77.0 | 80.6 | 84.2 | 73.4 | 77.0 | 80.0 | 84.20 | 73.4 | 77.0 | 80.6 | 84.2 |
| | | | TC | S/T | PI | TC | S/T | PI | TC | S/T | PI | TC | S/T | PI | TC | S/T | PI | TC |
| 960 | -22 | TC | 33815 | 33860 | 33898 | 33944 | 35847 | 35890 | 35932 | 35975 | 37989 | 38039 | 38088 | 38131 | 40280 | 40323 | 40374 | 40424 |
| | | S/T | 0.48 | 0.56 | 0.64 | 0.73 | 0.51 | 0.60 | 0.68 | 0.77 | 0.54 | 0.63 | 0.72 | 0.82 | 0.57 | 0.67 | 0.76 | 0.87 |
| | | PI | 2.09 | 2.09 | 2.09 | 2.10 | 2.21 | 2.22 | 2.22 | 2.22 | 2.35 | 2.35 | 2.35 | 2.36 | 2.49 | 2.49 | 2.49 | 2.50 |
| | -10 | TC | 33516 | 33561 | 33599 | 33644 | 35531 | 35573 | 35615 | 35657 | 37654 | 37703 | 37752 | 37794 | 39924 | 39967 | 40017 | 40067 |
| | | S/T | 0.48 | 0.57 | 0.64 | 0.73 | 0.51 | 0.60 | 0.68 | 0.78 | 0.54 | 0.64 | 0.72 | 0.82 | 0.57 | 0.67 | 0.77 | 0.87 |
| | | PI | 2.13 | 2.14 | 2.14 | 2.14 | 2.26 | 2.26 | 2.27 | 2.27 | 2.40 | 2.40 | 2.40 | 2.41 | 2.54 | 2.54 | 2.55 | 2.55 |
| | 0 | TC | 33268 | 33312 | 33350 | 33395 | 35267 | 35309 | 35351 | 35393 | 37374 | 37423 | 37472 | 37514 | 39628 | 39671 | 39720 | 39769 |
| | | S/T | 0.48 | 0.57 | 0.65 | 0.74 | 0.51 | 0.60 | 0.69 | 0.78 | 0.54 | 0.64 | 0.73 | 0.83 | 0.58 | 0.68 | 0.77 | 0.88 |
| | | PI | 2.17 | 2.17 | 2.17 | 2.18 | 2.30 | 2.30 | 2.31 | 2.31 | 2.44 | 2.44 | 2.44 | 2.45 | 2.58 | 2.59 | 2.59 | 2.59 |
| | 5 | TC | 33143 | 33188 | 33225 | 33270 | 35135 | 35177 | 35218 | 35260 | 37235 | 37283 | 37332 | 37373 | 39479 | 39522 | 39571 | 39621 |
| | | S/T | 0.49 | 0.57 | 0.65 | 0.74 | 0.52 | 0.60 | 0.69 | 0.78 | 0.55 | 0.64 | 0.73 | 0.83 | 0.58 | 0.68 | 0.77 | 0.88 |
| | | PI | 2.19 | 2.19 | 2.19 | 2.20 | 2.32 | 2.32 | 2.32 | 2.33 | 2.46 | 2.46 | 2.46 | 2.47 | 2.61 | 2.61 | 2.61 | 2.62 |
| | 14 | TC | 32919 | 32963 | 33000 | 33045 | 34898 | 34939 | 34980 | 35022 | 36983 | 37031 | 37079 | 37121 | 39213 | 39255 | 39304 | 39353 |
| | | S/T | 0.49 | 0.57 | 0.65 | 0.74 | 0.52 | 0.61 | 0.69 | 0.79 | 0.55 | 0.64 | 0.73 | 0.83 | 0.58 | 0.68 | 0.78 | 0.88 |
| | | PI | 2.22 | 2.22 | 2.23 | 2.23 | 2.35 | 2.36 | 2.36 | 2.36 | 2.49 | 2.50 | 2.50 | 2.50 | 2.65 | 2.65 | 2.65 | 2.65 |
| | 17 | TC | 32845 | 32889 | 32926 | 32970 | 34819 | 34860 | 34901 | 34943 | 36899 | 36947 | 36995 | 37037 | 39124 | 39166 | 39215 | 39264 |
| | | S/T | 0.49 | 0.57 | 0.65 | 0.74 | 0.52 | 0.61 | 0.69 | 0.79 | 0.55 | 0.65 | 0.73 | 0.84 | 0.58 | 0.68 | 0.78 | 0.89 |
| | | PI | 2.23 | 2.23 | 2.24 | 2.24 | 2.37 | 2.37 | 2.37 | 2.37 | 2.51 | 2.51 | 2.51 | 2.52 | 2.66 | 2.66 | 2.66 | 2.67 |
| | 23 | TC | 32745 | 32789 | 32826 | 32870 | 34713 | 34754 | 34795 | 34837 | 36787 | 36835 | 36883 | 36924 | 39005 | 39048 | 39096 | 39145 |
| | | S/T | 0.49 | 0.58 | 0.65 | 0.75 | 0.52 | 0.61 | 0.69 | 0.79 | 0.55 | 0.65 | 0.74 | 0.84 | 0.58 | 0.69 | 0.78 | 0.89 |
| | | PI | 2.25 | 2.25 | 2.25 | 2.25 | 2.38 | 2.38 | 2.39 | 2.39 | 2.52 | 2.53 | 2.53 | 2.53 | 2.68 | 2.68 | 2.68 | 2.69 |
| | 32 | TC | 32596 | 32640 | 32676 | 32720 | 34555 | 34596 | 34637 | 34678 | 36620 | 36667 | 36715 | 36756 | 38827 | 38870 | 38918 | 38966 |
| | | S/T | 0.49 | 0.58 | 0.66 | 0.75 | 0.52 | 0.61 | 0.70 | 0.80 | 0.55 | 0.65 | 0.74 | 0.84 | 0.59 | 0.69 | 0.78 | 0.89 |
| | | PI | 2.27 | 2.27 | 2.27 | 2.28 | 2.40 | 2.41 | 2.41 | 2.41 | 2.55 | 2.55 | 2.55 | 2.56 | 2.70 | 2.70 | 2.71 | 2.71 |
| | 41 | TC | 32397 | 32440 | 32477 | 32520 | 34344 | 34384 | 34425 | 34466 | 36396 | 36443 | 36491 | 36531 | 38590 | 38632 | 38680 | 38728 |
| | | S/T | 0.50 | 0.58 | 0.66 | 0.75 | 0.53 | 0.62 | 0.70 | 0.80 | 0.56 | 0.65 | 0.74 | 0.85 | 0.59 | 0.69 | 0.79 | 0.90 |
| | | PI | 2.32 | 2.32 | 2.32 | 2.33 | 2.46 | 2.46 | 2.46 | 2.47 | 2.61 | 2.61 | 2.61 | 2.62 | 2.76 | 2.77 | 2.77 | 2.77 |
| | 47 | TC | 32247 | 32291 | 32327 | 32371 | 34186 | 34226 | 34267 | 34307 | 36228 | 36275 | 36323 | 36363 | 38412 | 38454 | 38502 | 38550 |
| | | S/T | 0.50 | 0.58 | 0.66 | 0.76 | 0.53 | 0.62 | 0.70 | 0.80 | 0.56 | 0.66 | 0.74 | 0.85 | 0.59 | 0.69 | 0.79 | 0.90 |
| | | PI | 2.36 | 2.37 | 2.37 | 2.37 | 2.50 | 2.51 | 2.51 | 2.51 | 2.65 | 2.66 | 2.66 | 2.66 | 2.81 | 2.82 | 2.82 | 2.82 |
| | 50 | TC | 32180 | 32223 | 32259 | 32303 | 34114 | 34154 | 34195 | 34235 | 36152 | 36199 | 36246 | 36287 | 38332 | 38373 | 38421 | 38469 |
| | | S/T | 0.50 | 0.58 | 0.66 | 0.76 | 0.53 | 0.62 | 0.70 | 0.80 | 0.56 | 0.66 | 0.75 | 0.85 | 0.59 | 0.70 | 0.79 | 0.90 |
| | | PI | 2.38 | 2.38 | 2.38 | 2.39 | 2.52 | 2.52 | 2.53 | 2.53 | 2.67 | 2.68 | 2.68 | 2.68 | 2.83 | 2.84 | 2.84 | 2.84 |
| | 59 | TC | 31976 | 32019 | 32055 | 32099 | 33898 | 33938 | 33979 | 34019 | 35924 | 35971 | 36017 | 36058 | 38090 | 38131 | 38178 | 38226 |
| | | S/T | 0.50 | 0.59 | 0.67 | 0.76 | 0.53 | 0.62 | 0.71 | 0.81 | 0.56 | 0.66 | 0.75 | 0.86 | 0.60 | 0.70 | 0.80 | 0.91 |
| | | PI | 2.43 | 2.43 | 2.43 | 2.44 | 2.57 | 2.58 | 2.58 | 2.58 | 2.73 | 2.73 | 2.73 | 2.74 | 2.89 | 2.89 | 2.90 | 2.90 |
| | 68 | TC | 31773 | 31816 | 31852 | 31895 | 33683 | 33723 | 33763 | 33803 | 35696 | 35742 | 35789 | 35828 | 37848 | 37889 | 37936 | 37983 |
| | | S/T | 0.50 | 0.59 | 0.67 | 0.77 | 0.53 | 0.63 | 0.71 | 0.81 | 0.57 | 0.66 | 0.75 | 0.86 | 0.60 | 0.70 | 0.80 | 0.91 |
| | | PI | 2.47 | 2.48 | 2.48 | 2.48 | 2.62 | 2.63 | 2.63 | 2.63 | 2.78 | 2.78 | 2.79 | 2.79 | 2.95 | 2.95 | 2.95 | 2.96 |
| | 77 | TC | 31570 | 31612 | 31648 | 31691 | 33467 | 33507 | 33547 | 33587 | 35467 | 35513 | 35560 | 35599 | 37605 | 37646 | 37693 | 37740 |
| | | S/T | 0.52 | 0.61 | 0.69 | 0.79 | 0.55 | 0.64 | 0.73 | 0.83 | 0.58 | 0.68 | 0.77 | 0.88 | 0.62 | 0.72 | 0.82 | 0.94 |
| | | PI | 2.52 | 2.53 | 2.53 | 2.53 | 2.67 | 2.68 | 2.68 | 2.68 | 2.83 | 2.84 | 2.84 | 2.84 | 3.00 | 3.01 | 3.01 | 3.01 |
| | 86 | TC | 27376 | 27413 | 27444 | 27481 | 29021 | 29056 | 29090 | 29125 | 30756 | 30795 | 30836 | 30870 | 32610 | 32645 | 32686 | 32726 |
| | | S/T | 0.52 | 0.61 | 0.70 | 0.80 | 0.56 | 0.65 | 0.74 | 0.84 | 0.59 | 0.69 | 0.78 | 0.89 | 0.62 | 0.73 | 0.83 | 0.95 |
| | | PI | 2.72 | 2.72 | 2.73 | 2.73 | 2.88 | 2.89 | 2.89 | 2.89 | 3.05 | 3.06 | 3.06 | 3.07 | 3.24 | 3.24 | 3.25 | 3.25 |
| | 95 | TC | 26252 | 26287 | 26317 | 26352 | 27830 | 27863 | 27896 | 27929 | 29493 | 29531 | 29569 | 29602 | 31271 | 31305 | 31343 | 31382 |
| | | S/T | 0.54 | 0.63 | 0.72 | 0.82 | 0.57 | 0.67 | 0.76 | 0.87 | 0.60 | 0.71 | 0.80 | 0.92 | 0.64 | 0.75 | 0.85 | 0.97 |
| | | PI | 2.80 | 2.80 | 2.81 | 2.81 | 2.97 | 2.97 | 2.98 | 2.98 | 3.15 | 3.15 | 3.15 | 3.16 | 3.34 | 3.34 | 3.34 | 3.35 |
| | 104 | TC | 23841 | 23873 | 23900 | 23932 | 25274 | 25303 | 25333 | 25364 | 26784 | 26819 | 26853 | 26883 | 28398 | 28429 | 28465 | 28500 |
| | | S/T | 0.56 | 0.66 | 0.75 | 0.86 | 0.60 | 0.70 | 0.80 | 0.91 | 0.63 | 0.74 | 0.84 | 0.96 | 0.67 | 0.79 | 0.90 | 1.02 |
| | | PI | 5.90 | 5.91 | 5.92 | 5.92 | 6.26 | 6.26 | 6.27 | 6.28 | 6.63 | 6.64 | 6.65 | 6.66 | 7.03 | 7.04 | 7.05 | 7.06 |
| | 114.8 | TC | 20947 | 20976 | 20999 | 21027 | 22206 | 22233 | 22259 | 22285 | 23533 | 23564 | 23595 | 23621 | 24952 | 24979 | 25010 | 25041 |
| | | S/T | 0.57 | 0.67 | 0.76 | 0.87 | 0.60 | 0.71 | 0.81 | 0.92 | 0.64 | 0.75 | 0.85 | 0.97 | 0.68 | 0.80 | 0.91 | 1.03 |
| | | PI | 9.62 | 9.64 | 9.65 | 9.66 | 10.20 | 10.21 | 10.23 | 10.24 | 10.81 | 10.83 | 10.84 | 10.85 | 11.46 | 11.48 | 11.49 | 11.51 |
| | 122 | TC | 19018 | 19044 | 19065 | 19091 | 20162 | 20185 | 20209 | 20233 | 21366 | 21394 | 21422 | 21446 | 22654 | 22679 | 22707 | 22736 |
| | | PI | 12.11 | 12.12 | 12.14 | 12.15 | 12.83 | 12.85 | 12.86 | 12.88 | 13.60 | 13.62 | 13.64 | 13.65 | 14.42 | 14.44 | 14.45 | 14.47 |

NOTE: Data highlighted in gray is extrapolated data and not actual test data. At 77°F outdoor conditions sweat protection activates causing a decrease in total capacity.

LEGEND

- TC - Total Net Capacity (Btu/hour)
- S/T: Sensible Cooling Capacity Ratio
- PI: Power Input (kW)
- Extrapolated Data

COOLING PERFORMANCE DUCTED

COOLING PERFORMANCE 30HH (HIGH HEAT)

DUCTED COOLING PERFORMANCE 30HH (Sheet 1 of 4)

| AIRFLOW (CFM) | OUTDOOR DB (°F) | IDWB (°F) | 60.8 | | | | 64.4 | | | | 66.2 | | | | 71.6 | | | |
|------------------|--------------------|--------------|-------|-------|-------|-------|-------|-------|-------|-------|-------|-------|-------|-------|-------|-------|-------|-------|
| | | DB (°F) | 73.4 | 77.0 | 80.6 | 84.2 | 73.4 | 77.0 | 80.6 | 84.2 | 73.4 | 77.0 | 80.0 | 84.20 | 73.4 | 77.0 | 80.6 | 84.2 |
| 500 | -22 | TC | 15577 | 15598 | 15615 | 15636 | 16513 | 16533 | 16552 | 16572 | 17500 | 17523 | 17546 | 17565 | 18555 | 18575 | 18598 | 18621 |
| | | S/T | 0.21 | 0.24 | 0.27 | 0.31 | 0.22 | 0.26 | 0.29 | 0.33 | 0.23 | 0.27 | 0.31 | 0.35 | 0.24 | 0.29 | 0.33 | 0.37 |
| | | PI | 1.05 | 1.05 | 1.05 | 1.06 | 1.11 | 1.12 | 1.12 | 1.12 | 1.18 | 1.18 | 1.18 | 1.19 | 1.25 | 1.25 | 1.26 | 1.26 |
| | -10 | TC | 15373 | 15393 | 15411 | 15431 | 16297 | 16316 | 16335 | 16355 | 17270 | 17293 | 17315 | 17335 | 18312 | 18332 | 18354 | 18377 |
| | | S/T | 0.21 | 0.24 | 0.28 | 0.31 | 0.22 | 0.26 | 0.29 | 0.33 | 0.23 | 0.27 | 0.31 | 0.35 | 0.25 | 0.29 | 0.33 | 0.37 |
| | | PI | 1.08 | 1.09 | 1.09 | 1.09 | 1.15 | 1.15 | 1.15 | 1.15 | 1.22 | 1.22 | 1.22 | 1.22 | 1.29 | 1.29 | 1.29 | 1.30 |
| | 0 | TC | 15202 | 15223 | 15240 | 15261 | 16116 | 16135 | 16154 | 16174 | 17079 | 17101 | 17124 | 17143 | 18109 | 18129 | 18151 | 18174 |
| | | S/T | 0.21 | 0.24 | 0.28 | 0.32 | 0.22 | 0.26 | 0.29 | 0.34 | 0.23 | 0.27 | 0.31 | 0.36 | 0.25 | 0.29 | 0.33 | 0.38 |
| | | PI | 1.11 | 1.11 | 1.11 | 1.11 | 1.18 | 1.18 | 1.18 | 1.18 | 1.25 | 1.25 | 1.25 | 1.25 | 1.32 | 1.32 | 1.33 | 1.33 |
| | 5 | TC | 15117 | 15138 | 15155 | 15175 | 16026 | 16045 | 16064 | 16083 | 16984 | 17006 | 17028 | 17047 | 18007 | 18027 | 18049 | 18072 |
| | | S/T | 0.21 | 0.25 | 0.28 | 0.32 | 0.22 | 0.26 | 0.30 | 0.34 | 0.23 | 0.28 | 0.31 | 0.36 | 0.25 | 0.29 | 0.33 | 0.38 |
| | | PI | 1.12 | 1.13 | 1.13 | 1.13 | 1.19 | 1.19 | 1.19 | 1.20 | 1.26 | 1.26 | 1.27 | 1.27 | 1.34 | 1.34 | 1.34 | 1.34 |
| | 14 | TC | 14964 | 14984 | 15001 | 15021 | 15864 | 15882 | 15901 | 15920 | 16811 | 16833 | 16855 | 16874 | 17825 | 17844 | 17867 | 17889 |
| | | S/T | 0.21 | 0.25 | 0.28 | 0.32 | 0.22 | 0.26 | 0.30 | 0.34 | 0.24 | 0.28 | 0.31 | 0.36 | 0.25 | 0.29 | 0.33 | 0.38 |
| | | PI | 1.15 | 1.15 | 1.15 | 1.15 | 1.22 | 1.22 | 1.22 | 1.22 | 1.29 | 1.29 | 1.29 | 1.29 | 1.37 | 1.37 | 1.37 | 1.37 |
| | 17 | TC | 14913 | 14933 | 14950 | 14970 | 15809 | 15828 | 15847 | 15866 | 16754 | 16776 | 16798 | 16816 | 17764 | 17783 | 17806 | 17828 |
| | | S/T | 0.21 | 0.25 | 0.28 | 0.32 | 0.22 | 0.26 | 0.30 | 0.34 | 0.24 | 0.28 | 0.32 | 0.36 | 0.25 | 0.29 | 0.33 | 0.38 |
| | | PI | 1.16 | 1.16 | 1.16 | 1.16 | 1.23 | 1.23 | 1.23 | 1.23 | 1.30 | 1.30 | 1.30 | 1.30 | 1.38 | 1.38 | 1.38 | 1.38 |
| | 23 | TC | 14845 | 14865 | 14882 | 14902 | 15737 | 15756 | 15774 | 15793 | 16678 | 16699 | 16721 | 16740 | 17683 | 17702 | 17724 | 17746 |
| | | S/T | 0.21 | 0.25 | 0.28 | 0.32 | 0.22 | 0.26 | 0.30 | 0.34 | 0.24 | 0.28 | 0.32 | 0.36 | 0.25 | 0.29 | 0.33 | 0.38 |
| | | PI | 1.16 | 1.16 | 1.16 | 1.17 | 1.23 | 1.23 | 1.23 | 1.24 | 1.30 | 1.31 | 1.31 | 1.31 | 1.38 | 1.38 | 1.39 | 1.39 |
| | 32 | TC | 14743 | 14763 | 14779 | 14799 | 15629 | 15647 | 15666 | 15685 | 16563 | 16584 | 16606 | 16624 | 17561 | 17580 | 17602 | 17624 |
| S/T | | 0.21 | 0.25 | 0.28 | 0.32 | 0.22 | 0.26 | 0.30 | 0.34 | 0.24 | 0.28 | 0.32 | 0.36 | 0.25 | 0.30 | 0.34 | 0.38 | |
| PI | | 1.17 | 1.17 | 1.17 | 1.17 | 1.24 | 1.24 | 1.24 | 1.24 | 1.31 | 1.32 | 1.32 | 1.32 | 1.39 | 1.39 | 1.40 | 1.40 | |
| 41 | TC | 14607 | 14626 | 14643 | 14662 | 15485 | 15503 | 15521 | 15540 | 16410 | 16431 | 16453 | 16471 | 17399 | 17418 | 17440 | 17461 | |
| | S/T | 0.21 | 0.25 | 0.28 | 0.32 | 0.23 | 0.26 | 0.30 | 0.34 | 0.24 | 0.28 | 0.32 | 0.36 | 0.25 | 0.30 | 0.34 | 0.39 | |
| | PI | 1.18 | 1.18 | 1.18 | 1.18 | 1.25 | 1.25 | 1.25 | 1.26 | 1.33 | 1.33 | 1.33 | 1.33 | 1.41 | 1.41 | 1.41 | 1.41 | |
| 47 | TC | 14504 | 14524 | 14540 | 14560 | 15376 | 15394 | 15413 | 15431 | 16295 | 16316 | 16337 | 16356 | 17277 | 17296 | 17318 | 17339 | |
| | S/T | 0.21 | 0.25 | 0.28 | 0.32 | 0.23 | 0.27 | 0.30 | 0.34 | 0.24 | 0.28 | 0.32 | 0.36 | 0.25 | 0.30 | 0.34 | 0.39 | |
| | PI | 1.19 | 1.19 | 1.19 | 1.19 | 1.26 | 1.26 | 1.26 | 1.26 | 1.33 | 1.34 | 1.34 | 1.34 | 1.42 | 1.42 | 1.42 | 1.42 | |
| 50 | TC | 14492 | 14512 | 14528 | 14548 | 15363 | 15381 | 15400 | 15418 | 16281 | 16302 | 16324 | 16342 | 17263 | 17281 | 17303 | 17325 | |
| | S/T | 0.21 | 0.25 | 0.29 | 0.33 | 0.23 | 0.27 | 0.30 | 0.35 | 0.24 | 0.28 | 0.32 | 0.37 | 0.26 | 0.30 | 0.34 | 0.39 | |
| | PI | 1.19 | 1.19 | 1.19 | 1.20 | 1.26 | 1.26 | 1.27 | 1.27 | 1.34 | 1.34 | 1.34 | 1.34 | 1.42 | 1.42 | 1.42 | 1.42 | |
| 59 | TC | 14455 | 14475 | 14491 | 14510 | 15324 | 15342 | 15360 | 15379 | 16240 | 16261 | 16282 | 16300 | 17219 | 17237 | 17259 | 17280 | |
| | S/T | 0.22 | 0.25 | 0.29 | 0.33 | 0.23 | 0.27 | 0.30 | 0.35 | 0.24 | 0.28 | 0.32 | 0.37 | 0.26 | 0.30 | 0.34 | 0.39 | |
| | PI | 1.20 | 1.20 | 1.20 | 1.20 | 1.27 | 1.27 | 1.27 | 1.28 | 1.35 | 1.35 | 1.35 | 1.35 | 1.43 | 1.43 | 1.43 | 1.43 | |
| 68 | TC | 14418 | 14438 | 14454 | 14473 | 15285 | 15303 | 15321 | 15339 | 16198 | 16219 | 16240 | 16258 | 17175 | 17193 | 17215 | 17236 | |
| | S/T | 0.22 | 0.25 | 0.29 | 0.33 | 0.23 | 0.27 | 0.31 | 0.35 | 0.24 | 0.29 | 0.32 | 0.37 | 0.26 | 0.30 | 0.34 | 0.39 | |
| | PI | 1.21 | 1.21 | 1.21 | 1.21 | 1.28 | 1.28 | 1.28 | 1.29 | 1.36 | 1.36 | 1.36 | 1.36 | 1.44 | 1.44 | 1.44 | 1.44 | |
| 77 | TC | 14381 | 14401 | 14417 | 14436 | 15246 | 15264 | 15282 | 15300 | 16157 | 16178 | 16199 | 16217 | 17131 | 17149 | 17171 | 17192 | |
| | S/T | 0.22 | 0.26 | 0.30 | 0.34 | 0.24 | 0.28 | 0.31 | 0.36 | 0.25 | 0.29 | 0.33 | 0.38 | 0.26 | 0.31 | 0.35 | 0.40 | |
| | PI | 1.22 | 1.22 | 1.22 | 1.22 | 1.29 | 1.29 | 1.29 | 1.29 | 1.37 | 1.37 | 1.37 | 1.37 | 1.45 | 1.45 | 1.45 | 1.46 | |
| 86 | TC | 12449 | 12466 | 12479 | 12496 | 13197 | 13213 | 13228 | 13244 | 13986 | 14004 | 14022 | 14038 | 14829 | 14845 | 14863 | 14882 | |
| | S/T | 0.22 | 0.26 | 0.30 | 0.34 | 0.24 | 0.28 | 0.32 | 0.36 | 0.25 | 0.30 | 0.34 | 0.38 | 0.27 | 0.31 | 0.36 | 0.41 | |
| | PI | 1.32 | 1.32 | 1.32 | 1.32 | 1.40 | 1.40 | 1.40 | 1.40 | 1.48 | 1.48 | 1.49 | 1.49 | 1.57 | 1.57 | 1.57 | 1.58 | |
| 95 | TC | 11974 | 11990 | 12004 | 12020 | 12694 | 12709 | 12724 | 12739 | 13453 | 13470 | 13488 | 13503 | 14264 | 14279 | 14297 | 14315 | |
| | S/T | 0.23 | 0.27 | 0.31 | 0.35 | 0.24 | 0.29 | 0.33 | 0.37 | 0.26 | 0.30 | 0.35 | 0.39 | 0.27 | 0.32 | 0.37 | 0.42 | |
| | PI | 1.35 | 1.35 | 1.35 | 1.35 | 1.43 | 1.43 | 1.43 | 1.43 | 1.52 | 1.52 | 1.52 | 1.52 | 1.61 | 1.61 | 1.61 | 1.61 | |
| 104 | TC | 10364 | 10378 | 10389 | 10403 | 10987 | 11000 | 11013 | 11026 | 11643 | 11658 | 11673 | 11686 | 12345 | 12358 | 12374 | 12389 | |
| | S/T | 0.24 | 0.28 | 0.32 | 0.37 | 0.26 | 0.30 | 0.34 | 0.39 | 0.27 | 0.32 | 0.36 | 0.41 | 0.29 | 0.34 | 0.38 | 0.44 | |
| | PI | 2.90 | 2.91 | 2.91 | 2.91 | 3.08 | 3.08 | 3.08 | 3.09 | 3.26 | 3.26 | 3.27 | 3.27 | 3.46 | 3.46 | 3.47 | 3.47 | |
| 114.8 | TC | 8431 | 8442 | 8452 | 8463 | 8938 | 8948 | 8959 | 8969 | 9472 | 9484 | 9496 | 9507 | 10043 | 10054 | 10066 | 10079 | |
| | S/T | 0.25 | 0.29 | 0.33 | 0.37 | 0.26 | 0.30 | 0.35 | 0.39 | 0.28 | 0.32 | 0.37 | 0.42 | 0.29 | 0.34 | 0.39 | 0.44 | |
| | PI | 4.77 | 4.77 | 4.78 | 4.78 | 5.05 | 5.06 | 5.07 | 5.07 | 5.36 | 5.36 | 5.37 | 5.38 | 5.68 | 5.68 | 5.69 | 5.70 | |
| 122 | TC | 7142 | 7152 | 7160 | 7170 | 7572 | 7581 | 7590 | 7599 | 8024 | 8034 | 8045 | 8054 | 8508 | 8517 | 8528 | 8538 | |
| | S/T | 0.25 | 0.30 | 0.34 | 0.39 | 0.27 | 0.32 | 0.36 | 0.41 | 0.29 | 0.33 | 0.38 | 0.43 | 0.30 | 0.35 | 0.40 | 0.46 | |
| | PI | 6.01 | 6.02 | 6.02 | 6.03 | 6.37 | 6.38 | 6.39 | 6.39 | 6.75 | 6.76 | 6.77 | 6.78 | 7.16 | 7.17 | 7.18 | 7.18 | |

DUCTED COOLING PERFORMANCE 30HH (Sheet 2 of 4)

| AIRFLOW (CFM) | OUTDOOR DB (°F) | ID WB (°F) D DB (°F) | 60.8 | | | | 64.4 | | | | 66.2 | | | | 71.6 | | | |
|------------------|--------------------|----------------------------|------|-------|-------|-------|-------|-------|-------|-------|-------|-------|-------|-------|-------|-------|-------|-------|
| | | | 73.4 | 77.0 | 80.6 | 84.2 | 73.4 | 77.0 | 80.6 | 84.2 | 73.4 | 77.0 | 80.0 | 84.20 | 73.4 | 77.0 | 80.6 | 84.2 |
| | | | 820 | -22 | TC | 25293 | 25327 | 25356 | 25390 | 26814 | 26845 | 26877 | 26909 | 28416 | 28453 | 28490 | 28522 | 30129 |
| S/T | 0.31 | 0.37 | | | 0.42 | 0.48 | 0.33 | 0.39 | 0.44 | 0.50 | 0.35 | 0.41 | 0.47 | 0.53 | 0.37 | 0.44 | 0.50 | 0.57 |
| PI | 1.59 | 1.59 | | | 1.60 | 1.60 | 1.69 | 1.69 | 1.69 | 1.69 | 1.79 | 1.79 | 1.79 | 1.80 | 1.90 | 1.90 | 1.90 | 1.90 |
| -10 | TC | 24962 | | 24995 | 25023 | 25057 | 26462 | 26493 | 26525 | 26556 | 28043 | 28080 | 28116 | 28147 | 29734 | 29766 | 29803 | 29840 |
| | S/T | 0.32 | | 0.37 | 0.42 | 0.48 | 0.33 | 0.39 | 0.45 | 0.51 | 0.35 | 0.42 | 0.47 | 0.54 | 0.38 | 0.44 | 0.50 | 0.57 |
| | PI | 1.64 | | 1.64 | 1.64 | 1.65 | 1.74 | 1.74 | 1.74 | 1.75 | 1.84 | 1.85 | 1.85 | 1.85 | 1.95 | 1.96 | 1.96 | 1.96 |
| 0 | TC | 24685 | | 24718 | 24746 | 24779 | 26169 | 26200 | 26231 | 26262 | 27733 | 27769 | 27805 | 27836 | 29404 | 29436 | 29473 | 29510 |
| | S/T | 0.32 | | 0.37 | 0.42 | 0.48 | 0.34 | 0.39 | 0.45 | 0.51 | 0.36 | 0.42 | 0.47 | 0.54 | 0.38 | 0.44 | 0.50 | 0.57 |
| | PI | 1.68 | | 1.68 | 1.69 | 1.69 | 1.78 | 1.78 | 1.79 | 1.79 | 1.89 | 1.89 | 1.89 | 1.90 | 2.00 | 2.00 | 2.01 | 2.01 |
| 5 | TC | 24547 | | 24580 | 24608 | 24641 | 26022 | 26053 | 26084 | 26115 | 27577 | 27613 | 27649 | 27680 | 29240 | 29272 | 29308 | 29345 |
| | S/T | 0.32 | | 0.37 | 0.42 | 0.48 | 0.34 | 0.40 | 0.45 | 0.51 | 0.36 | 0.42 | 0.48 | 0.54 | 0.38 | 0.44 | 0.50 | 0.58 |
| | PI | 1.70 | | 1.70 | 1.71 | 1.71 | 1.80 | 1.81 | 1.81 | 1.81 | 1.91 | 1.91 | 1.91 | 1.92 | 2.03 | 2.03 | 2.03 | 2.03 |
| 14 | TC | 24298 | | 24331 | 24358 | 24391 | 25759 | 25789 | 25820 | 25850 | 27298 | 27333 | 27369 | 27399 | 28943 | 28975 | 29011 | 29047 |
| | S/T | 0.32 | | 0.37 | 0.43 | 0.49 | 0.34 | 0.40 | 0.45 | 0.51 | 0.36 | 0.42 | 0.48 | 0.55 | 0.38 | 0.45 | 0.51 | 0.58 |
| | PI | 1.74 | | 1.74 | 1.74 | 1.74 | 1.84 | 1.84 | 1.85 | 1.85 | 1.95 | 1.95 | 1.96 | 1.96 | 2.07 | 2.07 | 2.07 | 2.08 |
| 17 | TC | 24215 | | 24248 | 24275 | 24308 | 25671 | 25701 | 25732 | 25762 | 27205 | 27240 | 27275 | 27306 | 28845 | 28876 | 28912 | 28948 |
| | S/T | 0.32 | | 0.38 | 0.43 | 0.49 | 0.34 | 0.40 | 0.45 | 0.52 | 0.36 | 0.42 | 0.48 | 0.55 | 0.38 | 0.45 | 0.51 | 0.58 |
| | PI | 1.75 | | 1.75 | 1.75 | 1.76 | 1.86 | 1.86 | 1.86 | 1.86 | 1.97 | 1.97 | 1.97 | 1.97 | 2.08 | 2.09 | 2.09 | 2.09 |
| 23 | TC | 24105 | | 24137 | 24164 | 24197 | 25553 | 25584 | 25614 | 25644 | 27080 | 27116 | 27151 | 27181 | 28713 | 28744 | 28780 | 28816 |
| | S/T | 0.32 | | 0.38 | 0.43 | 0.49 | 0.34 | 0.40 | 0.45 | 0.52 | 0.36 | 0.42 | 0.48 | 0.55 | 0.38 | 0.45 | 0.51 | 0.58 |
| | PI | 1.76 | | 1.76 | 1.76 | 1.76 | 1.86 | 1.87 | 1.87 | 1.87 | 1.98 | 1.98 | 1.98 | 1.98 | 2.09 | 2.10 | 2.10 | 2.10 |
| 32 | TC | 23939 | | 23971 | 23998 | 24030 | 25378 | 25408 | 25438 | 25468 | 26894 | 26929 | 26964 | 26994 | 28515 | 28546 | 28582 | 28618 |
| | S/T | 0.32 | | 0.38 | 0.43 | 0.49 | 0.34 | 0.40 | 0.46 | 0.52 | 0.36 | 0.43 | 0.48 | 0.55 | 0.38 | 0.45 | 0.51 | 0.58 |
| | PI | 1.77 | | 1.77 | 1.77 | 1.78 | 1.88 | 1.88 | 1.88 | 1.88 | 1.99 | 1.99 | 1.99 | 2.00 | 2.11 | 2.11 | 2.11 | 2.12 |
| 41 | TC | 23718 | | 23750 | 23776 | 23808 | 25143 | 25173 | 25203 | 25233 | 26646 | 26680 | 26715 | 26745 | 28252 | 28283 | 28318 | 28353 |
| | S/T | 0.32 | | 0.38 | 0.43 | 0.49 | 0.34 | 0.40 | 0.46 | 0.52 | 0.36 | 0.43 | 0.49 | 0.55 | 0.39 | 0.45 | 0.51 | 0.59 |
| | PI | 1.79 | | 1.79 | 1.79 | 1.79 | 1.89 | 1.90 | 1.90 | 1.90 | 2.01 | 2.01 | 2.01 | 2.01 | 2.13 | 2.13 | 2.13 | 2.14 |
| 47 | TC | 23552 | | 23584 | 23610 | 23642 | 24967 | 24997 | 25027 | 25056 | 26459 | 26494 | 26528 | 26558 | 28054 | 28085 | 28120 | 28155 |
| | S/T | 0.32 | | 0.38 | 0.43 | 0.49 | 0.34 | 0.40 | 0.46 | 0.52 | 0.36 | 0.43 | 0.49 | 0.55 | 0.39 | 0.45 | 0.52 | 0.59 |
| | PI | 1.80 | | 1.80 | 1.80 | 1.81 | 1.91 | 1.91 | 1.91 | 1.91 | 2.02 | 2.02 | 2.03 | 2.03 | 2.14 | 2.14 | 2.15 | 2.15 |
| 50 | TC | 23532 | | 23563 | 23590 | 23622 | 24946 | 24976 | 25005 | 25035 | 26437 | 26471 | 26506 | 26535 | 28031 | 28061 | 28096 | 28131 |
| | S/T | 0.33 | | 0.38 | 0.43 | 0.50 | 0.35 | 0.41 | 0.46 | 0.52 | 0.37 | 0.43 | 0.49 | 0.56 | 0.39 | 0.46 | 0.52 | 0.59 |
| | PI | 1.80 | | 1.81 | 1.81 | 1.81 | 1.91 | 1.91 | 1.92 | 1.92 | 2.03 | 2.03 | 2.03 | 2.03 | 2.15 | 2.15 | 2.15 | 2.16 |
| 59 | TC | 23472 | | 23503 | 23530 | 23561 | 24882 | 24912 | 24941 | 24971 | 26369 | 26404 | 26438 | 26467 | 27959 | 27989 | 28024 | 28059 |
| | S/T | 0.33 | | 0.38 | 0.44 | 0.50 | 0.35 | 0.41 | 0.46 | 0.53 | 0.37 | 0.43 | 0.49 | 0.56 | 0.39 | 0.46 | 0.52 | 0.59 |
| | PI | 1.82 | | 1.82 | 1.82 | 1.82 | 1.93 | 1.93 | 1.93 | 1.93 | 2.04 | 2.04 | 2.05 | 2.05 | 2.16 | 2.17 | 2.17 | 2.17 |
| 68 | TC | 23412 | | 23443 | 23469 | 23501 | 24819 | 24848 | 24878 | 24907 | 26302 | 26336 | 26370 | 26400 | 27887 | 27918 | 27953 | 27987 |
| | S/T | 0.33 | | 0.39 | 0.44 | 0.50 | 0.35 | 0.41 | 0.47 | 0.53 | 0.37 | 0.43 | 0.49 | 0.56 | 0.39 | 0.46 | 0.52 | 0.60 |
| | PI | 1.83 | | 1.83 | 1.83 | 1.84 | 1.94 | 1.94 | 1.94 | 1.95 | 2.06 | 2.06 | 2.06 | 2.06 | 2.18 | 2.18 | 2.18 | 2.19 |
| 77 | TC | 23352 | | 23383 | 23409 | 23441 | 24755 | 24784 | 24814 | 24843 | 26234 | 26269 | 26303 | 26332 | 27816 | 27846 | 27881 | 27916 |
| | S/T | 0.34 | | 0.40 | 0.45 | 0.51 | 0.36 | 0.42 | 0.48 | 0.54 | 0.38 | 0.45 | 0.51 | 0.58 | 0.40 | 0.47 | 0.54 | 0.61 |
| | PI | 1.84 | | 1.85 | 1.85 | 1.85 | 1.95 | 1.96 | 1.96 | 1.96 | 2.07 | 2.07 | 2.08 | 2.08 | 2.19 | 2.20 | 2.20 | 2.20 |
| 86 | TC | 20214 | | 20241 | 20264 | 20291 | 21429 | 21454 | 21480 | 21505 | 22709 | 22739 | 22768 | 22794 | 24078 | 24104 | 24134 | 24164 |
| | S/T | 0.34 | | 0.40 | 0.46 | 0.52 | 0.36 | 0.43 | 0.48 | 0.55 | 0.38 | 0.45 | 0.51 | 0.58 | 0.41 | 0.48 | 0.54 | 0.62 |
| | PI | 2.00 | | 2.00 | 2.00 | 2.00 | 2.12 | 2.12 | 2.12 | 2.12 | 2.24 | 2.25 | 2.25 | 2.25 | 2.38 | 2.38 | 2.38 | 2.39 |
| 95 | TC | 19444 | | 19470 | 19492 | 19518 | 20612 | 20637 | 20661 | 20686 | 21844 | 21872 | 21901 | 21925 | 23161 | 23186 | 23215 | 23244 |
| | S/T | 0.35 | | 0.41 | 0.47 | 0.53 | 0.37 | 0.44 | 0.50 | 0.57 | 0.39 | 0.46 | 0.53 | 0.60 | 0.42 | 0.49 | 0.56 | 0.64 |
| | PI | 2.04 | | 2.04 | 2.05 | 2.05 | 2.16 | 2.17 | 2.17 | 2.17 | 2.29 | 2.30 | 2.30 | 2.30 | 2.43 | 2.43 | 2.44 | 2.44 |
| 104 | TC | 16828 | | 16851 | 16870 | 16892 | 17840 | 17861 | 17882 | 17903 | 18906 | 18930 | 18955 | 18976 | 20045 | 20067 | 20092 | 20117 |
| | S/T | 0.37 | | 0.43 | 0.49 | 0.56 | 0.39 | 0.46 | 0.52 | 0.59 | 0.41 | 0.49 | 0.55 | 0.63 | 0.44 | 0.52 | 0.59 | 0.67 |
| | PI | 4.39 | | 4.40 | 4.40 | 4.41 | 4.66 | 4.66 | 4.67 | 4.67 | 4.94 | 4.94 | 4.95 | 4.95 | 5.23 | 5.24 | 5.25 | 5.25 |
| 114.8 | TC | 13690 | | 13708 | 13723 | 13742 | 14512 | 14530 | 14547 | 14564 | 15380 | 15400 | 15420 | 15437 | 16307 | 16325 | 16345 | 16365 |
| | S/T | 0.37 | | 0.44 | 0.50 | 0.57 | 0.40 | 0.46 | 0.53 | 0.60 | 0.42 | 0.49 | 0.56 | 0.64 | 0.44 | 0.52 | 0.59 | 0.68 |
| | PI | 7.22 | | 7.23 | 7.23 | 7.24 | 7.65 | 7.66 | 7.67 | 7.68 | 8.11 | 8.12 | 8.13 | 8.14 | 8.60 | 8.61 | 8.62 | 8.63 |
| 122 | TC | 11597 | | 11613 | 11626 | 11642 | 12294 | 12309 | 12324 | 12338 | 13029 | 13046 | 13063 | 13078 | 13815 | 13830 | 13847 | 13864 |
| | S/T | 0.39 | | 0.45 | 0.51 | 0.59 | 0.41 | 0.48 | 0.55 | 0.62 | 0.43 | 0.51 | 0.58 | 0.66 | 0.46 | 0.54 | 0.61 | 0.70 |
| | PI | 9.10 | | 9.11 | 9.12 | 9.13 | 9.64 | 9.66 | 9.67 | 9.68 | 10.22 | 10.23 | 10.25 | 10.26 | 10.84 | 10.85 | 10.86 | 10.88 |

DUCTED COOLING PERFORMANCE 30HH (Sheet 3 of 4)

| AIRFLOW (CFM) | OUTDOOR DB (°F) | ID WB (°F) | 60.8 | | | | 64.4 | | | | 66.2 | | | | 71.6 | | | |
|------------------|--------------------|---------------|-------|-------|-------|-------|-------|-------|-------|-------|-------|-------|-------|-------|-------|-------|-------|-------|
| | | D DB (°F) | 73.4 | 77.0 | 80.6 | 84.2 | 73.4 | 77.0 | 80.6 | 84.2 | 73.4 | 77.0 | 80.0 | 84.20 | 73.4 | 77.0 | 80.6 | 84.2 |
| 1260 | -22 | TC | 38481 | 38532 | 38576 | 38628 | 40793 | 40842 | 40890 | 40939 | 43231 | 43287 | 43343 | 43392 | 45837 | 45887 | 45944 | 46001 |
| | | S/T | 0.48 | 0.56 | 0.63 | 0.72 | 0.50 | 0.59 | 0.67 | 0.77 | 0.53 | 0.63 | 0.71 | 0.81 | 0.57 | 0.67 | 0.76 | 0.86 |
| | | PI | 2.42 | 2.43 | 2.43 | 2.43 | 2.57 | 2.57 | 2.57 | 2.58 | 2.72 | 2.72 | 2.73 | 2.73 | 2.89 | 2.89 | 2.89 | 2.90 |
| | -10 | TC | 37976 | 38027 | 38070 | 38121 | 40258 | 40306 | 40354 | 40402 | 42664 | 42719 | 42775 | 42823 | 45236 | 45285 | 45342 | 45398 |
| | | S/T | 0.48 | 0.56 | 0.64 | 0.73 | 0.51 | 0.60 | 0.68 | 0.77 | 0.54 | 0.63 | 0.72 | 0.82 | 0.57 | 0.67 | 0.76 | 0.87 |
| | | PI | 2.50 | 2.50 | 2.50 | 2.51 | 2.65 | 2.65 | 2.65 | 2.66 | 2.80 | 2.81 | 2.81 | 2.81 | 2.97 | 2.98 | 2.98 | 2.98 |
| | 0 | TC | 37555 | 37606 | 37648 | 37699 | 39813 | 39860 | 39907 | 39954 | 42192 | 42246 | 42301 | 42349 | 44735 | 44784 | 44839 | 44895 |
| | | S/T | 0.48 | 0.57 | 0.64 | 0.73 | 0.51 | 0.60 | 0.68 | 0.78 | 0.54 | 0.64 | 0.72 | 0.82 | 0.57 | 0.67 | 0.77 | 0.87 |
| | | PI | 2.56 | 2.56 | 2.56 | 2.57 | 2.71 | 2.71 | 2.72 | 2.72 | 2.87 | 2.88 | 2.88 | 2.88 | 3.05 | 3.05 | 3.05 | 3.06 |
| | 5 | TC | 37345 | 37395 | 37437 | 37488 | 39590 | 39637 | 39683 | 39731 | 41955 | 42010 | 42065 | 42111 | 44485 | 44533 | 44588 | 44644 |
| | | S/T | 0.48 | 0.57 | 0.64 | 0.73 | 0.51 | 0.60 | 0.68 | 0.78 | 0.54 | 0.64 | 0.72 | 0.83 | 0.58 | 0.68 | 0.77 | 0.88 |
| | | PI | 2.59 | 2.59 | 2.59 | 2.60 | 2.74 | 2.75 | 2.75 | 2.75 | 2.91 | 2.91 | 2.92 | 2.92 | 3.08 | 3.09 | 3.09 | 3.09 |
| | 14 | TC | 36967 | 37016 | 37058 | 37108 | 39188 | 39235 | 39281 | 39328 | 41530 | 41584 | 41638 | 41685 | 44034 | 44082 | 44136 | 44191 |
| | | S/T | 0.49 | 0.57 | 0.65 | 0.74 | 0.51 | 0.60 | 0.69 | 0.78 | 0.55 | 0.64 | 0.73 | 0.83 | 0.58 | 0.68 | 0.77 | 0.88 |
| | | PI | 2.64 | 2.65 | 2.65 | 2.65 | 2.80 | 2.81 | 2.81 | 2.81 | 2.97 | 2.97 | 2.98 | 2.98 | 3.15 | 3.15 | 3.16 | 3.16 |
| | 17 | TC | 36840 | 36890 | 36931 | 36981 | 39055 | 39101 | 39147 | 39194 | 41388 | 41442 | 41496 | 41542 | 43883 | 43931 | 43986 | 44041 |
| | | S/T | 0.49 | 0.57 | 0.65 | 0.74 | 0.52 | 0.61 | 0.69 | 0.78 | 0.55 | 0.64 | 0.73 | 0.83 | 0.58 | 0.68 | 0.77 | 0.88 |
| | | PI | 2.66 | 2.67 | 2.67 | 2.67 | 2.82 | 2.83 | 2.83 | 2.83 | 2.99 | 2.99 | 3.00 | 3.00 | 3.17 | 3.17 | 3.18 | 3.18 |
| | 23 | TC | 36672 | 36722 | 36763 | 36812 | 38876 | 38922 | 38968 | 39015 | 41199 | 41253 | 41307 | 41353 | 43683 | 43731 | 43785 | 43840 |
| | | S/T | 0.49 | 0.57 | 0.65 | 0.74 | 0.52 | 0.61 | 0.69 | 0.79 | 0.55 | 0.64 | 0.73 | 0.83 | 0.58 | 0.68 | 0.78 | 0.88 |
| | | PI | 2.67 | 2.68 | 2.68 | 2.68 | 2.84 | 2.84 | 2.84 | 2.85 | 3.00 | 3.01 | 3.01 | 3.02 | 3.19 | 3.19 | 3.19 | 3.20 |
| | 32 | TC | 36420 | 36469 | 36510 | 36559 | 38609 | 38655 | 38700 | 38746 | 40916 | 40969 | 41022 | 41068 | 43383 | 43430 | 43484 | 43538 |
| | | S/T | 0.49 | 0.58 | 0.65 | 0.75 | 0.52 | 0.61 | 0.69 | 0.79 | 0.55 | 0.65 | 0.74 | 0.84 | 0.58 | 0.69 | 0.78 | 0.89 |
| | | PI | 2.69 | 2.70 | 2.70 | 2.70 | 2.86 | 2.86 | 2.86 | 2.87 | 3.03 | 3.03 | 3.03 | 3.04 | 3.21 | 3.21 | 3.22 | 3.22 |
| | 41 | TC | 36083 | 36132 | 36172 | 36221 | 38252 | 38297 | 38343 | 38388 | 40538 | 40591 | 40643 | 40689 | 42982 | 43028 | 43082 | 43136 |
| | | S/T | 0.49 | 0.58 | 0.66 | 0.75 | 0.52 | 0.61 | 0.70 | 0.79 | 0.55 | 0.65 | 0.74 | 0.84 | 0.59 | 0.69 | 0.78 | 0.89 |
| | | PI | 2.72 | 2.72 | 2.72 | 2.73 | 2.88 | 2.88 | 2.89 | 2.89 | 3.05 | 3.06 | 3.06 | 3.06 | 3.24 | 3.24 | 3.24 | 3.25 |
| | 47 | TC | 35831 | 35879 | 35920 | 35968 | 37985 | 38030 | 38075 | 38120 | 40254 | 40307 | 40359 | 40404 | 42681 | 42728 | 42781 | 42834 |
| | | S/T | 0.49 | 0.58 | 0.66 | 0.75 | 0.52 | 0.61 | 0.70 | 0.80 | 0.56 | 0.65 | 0.74 | 0.84 | 0.59 | 0.69 | 0.78 | 0.89 |
| | | PI | 2.74 | 2.74 | 2.74 | 2.75 | 2.90 | 2.90 | 2.91 | 2.91 | 3.07 | 3.08 | 3.08 | 3.09 | 3.26 | 3.26 | 3.27 | 3.27 |
| | 50 | TC | 35801 | 35849 | 35889 | 35937 | 37952 | 37997 | 38042 | 38087 | 40220 | 40273 | 40325 | 40370 | 42645 | 42691 | 42744 | 42798 |
| | | S/T | 0.50 | 0.58 | 0.66 | 0.75 | 0.53 | 0.62 | 0.70 | 0.80 | 0.56 | 0.65 | 0.74 | 0.85 | 0.59 | 0.69 | 0.79 | 0.90 |
| | | PI | 2.74 | 2.75 | 2.75 | 2.75 | 2.91 | 2.91 | 2.91 | 2.92 | 3.08 | 3.09 | 3.09 | 3.09 | 3.27 | 3.27 | 3.28 | 3.28 |
| | 59 | TC | 35709 | 35757 | 35797 | 35846 | 37856 | 37900 | 37945 | 37990 | 40118 | 40170 | 40222 | 40267 | 42536 | 42582 | 42635 | 42688 |
| | | S/T | 0.50 | 0.58 | 0.66 | 0.76 | 0.53 | 0.62 | 0.70 | 0.80 | 0.56 | 0.66 | 0.75 | 0.85 | 0.59 | 0.70 | 0.79 | 0.90 |
| | | PI | 2.76 | 2.77 | 2.77 | 2.77 | 2.93 | 2.93 | 2.94 | 2.94 | 3.10 | 3.11 | 3.11 | 3.12 | 3.29 | 3.29 | 3.30 | 3.30 |
| | 68 | TC | 35618 | 35666 | 35706 | 35754 | 37759 | 37803 | 37848 | 37893 | 40015 | 40067 | 40119 | 40164 | 42427 | 42473 | 42526 | 42579 |
| | | S/T | 0.50 | 0.59 | 0.67 | 0.76 | 0.53 | 0.62 | 0.71 | 0.81 | 0.56 | 0.66 | 0.75 | 0.86 | 0.60 | 0.70 | 0.80 | 0.91 |
| | | PI | 2.78 | 2.79 | 2.79 | 2.79 | 2.95 | 2.95 | 2.96 | 2.96 | 3.13 | 3.13 | 3.14 | 3.14 | 3.32 | 3.32 | 3.32 | 3.33 |
| | 77 | TC | 35527 | 35574 | 35614 | 35662 | 37662 | 37706 | 37751 | 37796 | 39912 | 39964 | 40016 | 40061 | 42318 | 42364 | 42417 | 42470 |
| | | S/T | 0.51 | 0.60 | 0.69 | 0.78 | 0.54 | 0.64 | 0.73 | 0.83 | 0.58 | 0.68 | 0.77 | 0.88 | 0.61 | 0.72 | 0.82 | 0.93 |
| | | PI | 2.80 | 2.81 | 2.81 | 2.81 | 2.97 | 2.98 | 2.98 | 2.98 | 3.15 | 3.15 | 3.16 | 3.16 | 3.34 | 3.34 | 3.35 | 3.35 |
| | 86 | TC | 30753 | 30794 | 30829 | 30870 | 32601 | 32640 | 32678 | 32717 | 34549 | 34594 | 34639 | 34678 | 36632 | 36672 | 36717 | 36763 |
| | | S/T | 0.52 | 0.61 | 0.69 | 0.79 | 0.55 | 0.65 | 0.74 | 0.84 | 0.59 | 0.69 | 0.78 | 0.89 | 0.62 | 0.73 | 0.83 | 0.94 |
| | | PI | 3.04 | 3.04 | 3.04 | 3.05 | 3.22 | 3.22 | 3.23 | 3.23 | 3.41 | 3.42 | 3.42 | 3.42 | 3.62 | 3.62 | 3.63 | 3.63 |
| | 95 | TC | 29581 | 29621 | 29654 | 29694 | 31359 | 31396 | 31433 | 31470 | 33233 | 33276 | 33319 | 33356 | 35236 | 35274 | 35318 | 35362 |
| | | S/T | 0.53 | 0.63 | 0.71 | 0.81 | 0.57 | 0.66 | 0.75 | 0.86 | 0.60 | 0.70 | 0.80 | 0.91 | 0.64 | 0.75 | 0.85 | 0.97 |
| | | PI | 3.11 | 3.11 | 3.11 | 3.12 | 3.29 | 3.30 | 3.30 | 3.30 | 3.49 | 3.49 | 3.50 | 3.50 | 3.70 | 3.70 | 3.71 | 3.71 |
| 104 | TC | 25602 | 25636 | 25665 | 25700 | 27141 | 27173 | 27205 | 27237 | 28762 | 28800 | 28837 | 28869 | 30496 | 30530 | 30568 | 30606 | |
| | S/T | 0.56 | 0.66 | 0.75 | 0.85 | 0.59 | 0.70 | 0.79 | 0.90 | 0.63 | 0.74 | 0.84 | 0.96 | 0.67 | 0.78 | 0.89 | 1.02 | |
| | PI | 6.68 | 6.69 | 6.70 | 6.71 | 7.09 | 7.09 | 7.10 | 7.11 | 7.51 | 7.52 | 7.53 | 7.54 | 7.96 | 7.97 | 7.98 | 7.99 | |
| 114.8 | TC | 20827 | 20855 | 20879 | 20907 | 22079 | 22105 | 22131 | 22158 | 23398 | 23429 | 23459 | 23485 | 24809 | 24836 | 24867 | 24898 | |
| | S/T | 0.57 | 0.67 | 0.76 | 0.86 | 0.60 | 0.71 | 0.80 | 0.91 | 0.64 | 0.75 | 0.85 | 0.97 | 0.68 | 0.79 | 0.90 | 1.03 | |
| | PI | 10.98 | 10.99 | 11.01 | 11.02 | 11.64 | 11.65 | 11.67 | 11.68 | 12.33 | 12.35 | 12.37 | 12.38 | 13.08 | 13.09 | 13.11 | 13.12 | |
| 122 | TC | 17644 | 17668 | 17688 | 17711 | 18704 | 18727 | 18749 | 18771 | 19822 | 19848 | 19874 | 19896 | 21017 | 21040 | 21066 | 21092 | |
| | S/T | 0.59 | 0.69 | 0.78 | 0.89 | 0.62 | 0.73 | 0.83 | 0.95 | 0.66 | 0.77 | 0.88 | 1.00 | 0.70 | 0.82 | 0.93 | 1.06 | |
| | PI | 13.84 | 13.86 | 13.88 | 13.89 | 14.67 | 14.69 | 14.71 | 14.73 | 15.55 | 15.57 | 15.59 | 15.61 | 16.49 | 16.51 | 16.53 | 16.55 | |

DUCTED COOLING PERFORMANCE 30HH (Sheet 4 of 4)

| AIRFLOW (CFM) | OUTDOOR DB (°F) | ID WB (°F) D DB (°F) | 60.8 | | | | 64.4 | | | | 66.2 | | | | 71.6 | | | |
|------------------|--------------------|----------------------------|-------|-------|-------|-------|-------|-------|-------|-------|-------|-------|-------|-------|-------|-------|-------|-------|
| | | | 73.4 | 77.0 | 80.6 | 84.2 | 73.4 | 77.0 | 80.6 | 84.2 | 73.4 | 77.0 | 80.0 | 84.20 | 73.4 | 77.0 | 80.6 | 84.2 |
| | | | TC | S/T | PI | TC | S/T | PI | TC | S/T | PI | TC | S/T | PI | TC | S/T | PI | TC |
| 1280 | -22 | TC | 38704 | 38756 | 38800 | 38852 | 41031 | 41079 | 41128 | 41177 | 43482 | 43539 | 43596 | 43644 | 46104 | 46154 | 46211 | 46269 |
| | | S/T | 0.48 | 0.56 | 0.64 | 0.73 | 0.51 | 0.60 | 0.68 | 0.77 | 0.54 | 0.63 | 0.72 | 0.82 | 0.57 | 0.67 | 0.76 | 0.87 |
| | | PI | 2.44 | 2.44 | 2.44 | 2.45 | 2.58 | 2.59 | 2.59 | 2.59 | 2.74 | 2.74 | 2.74 | 2.75 | 2.90 | 2.90 | 2.91 | 2.91 |
| | -10 | TC | 38197 | 38248 | 38291 | 38343 | 40492 | 40540 | 40588 | 40637 | 42912 | 42968 | 43024 | 43072 | 45499 | 45549 | 45605 | 45662 |
| | | S/T | 0.48 | 0.57 | 0.64 | 0.73 | 0.51 | 0.60 | 0.68 | 0.78 | 0.54 | 0.64 | 0.72 | 0.82 | 0.57 | 0.67 | 0.77 | 0.87 |
| | | PI | 2.51 | 2.51 | 2.52 | 2.52 | 2.66 | 2.66 | 2.67 | 2.67 | 2.82 | 2.82 | 2.83 | 2.83 | 2.99 | 2.99 | 3.00 | 3.00 |
| | 0 | TC | 37774 | 37825 | 37867 | 37918 | 40044 | 40091 | 40139 | 40187 | 42437 | 42492 | 42547 | 42595 | 44995 | 45044 | 45100 | 45156 |
| | | S/T | 0.48 | 0.57 | 0.65 | 0.74 | 0.51 | 0.60 | 0.69 | 0.78 | 0.54 | 0.64 | 0.73 | 0.83 | 0.58 | 0.68 | 0.77 | 0.88 |
| | | PI | 2.57 | 2.58 | 2.58 | 2.58 | 2.73 | 2.73 | 2.73 | 2.74 | 2.89 | 2.89 | 2.90 | 2.90 | 3.06 | 3.07 | 3.07 | 3.08 |
| | 5 | TC | 37562 | 37613 | 37655 | 37706 | 39820 | 39867 | 39914 | 39962 | 42199 | 42254 | 42309 | 42356 | 44743 | 44792 | 44848 | 44904 |
| | | S/T | 0.49 | 0.57 | 0.65 | 0.74 | 0.52 | 0.60 | 0.69 | 0.78 | 0.55 | 0.64 | 0.73 | 0.83 | 0.58 | 0.68 | 0.77 | 0.88 |
| | | PI | 2.60 | 2.61 | 2.61 | 2.61 | 2.76 | 2.76 | 2.77 | 2.77 | 2.92 | 2.92 | 2.93 | 2.94 | 3.10 | 3.10 | 3.11 | 3.11 |
| | 14 | TC | 37182 | 37232 | 37273 | 37324 | 39416 | 39463 | 39510 | 39557 | 41772 | 41826 | 41880 | 41927 | 44290 | 44338 | 44393 | 44448 |
| | | S/T | 0.49 | 0.57 | 0.65 | 0.74 | 0.52 | 0.61 | 0.69 | 0.79 | 0.55 | 0.64 | 0.73 | 0.83 | 0.58 | 0.68 | 0.78 | 0.88 |
| | | PI | 2.66 | 2.66 | 2.67 | 2.67 | 2.82 | 2.82 | 2.83 | 2.83 | 2.99 | 2.99 | 3.00 | 3.00 | 3.17 | 3.17 | 3.18 | 3.18 |
| | 17 | TC | 37055 | 37104 | 37146 | 37196 | 39282 | 39328 | 39375 | 39422 | 41629 | 41683 | 41737 | 41784 | 44139 | 44187 | 44242 | 44297 |
| | | S/T | 0.49 | 0.57 | 0.65 | 0.74 | 0.52 | 0.61 | 0.69 | 0.79 | 0.55 | 0.65 | 0.73 | 0.84 | 0.58 | 0.68 | 0.78 | 0.89 |
| | | PI | 2.68 | 2.68 | 2.68 | 2.69 | 2.84 | 2.84 | 2.85 | 2.85 | 3.01 | 3.01 | 3.02 | 3.02 | 3.19 | 3.19 | 3.20 | 3.20 |
| | 23 | TC | 36885 | 36935 | 36976 | 37026 | 39102 | 39149 | 39195 | 39242 | 41439 | 41493 | 41547 | 41593 | 43937 | 43985 | 44040 | 44094 |
| | | S/T | 0.49 | 0.58 | 0.65 | 0.75 | 0.52 | 0.61 | 0.69 | 0.79 | 0.55 | 0.65 | 0.74 | 0.84 | 0.58 | 0.69 | 0.78 | 0.89 |
| | | PI | 2.69 | 2.69 | 2.70 | 2.70 | 2.85 | 2.86 | 2.86 | 2.86 | 3.02 | 3.03 | 3.03 | 3.03 | 3.20 | 3.21 | 3.21 | 3.22 |
| | 32 | TC | 36632 | 36681 | 36722 | 36772 | 38833 | 38879 | 38925 | 38972 | 41154 | 41207 | 41261 | 41307 | 43635 | 43682 | 43737 | 43791 |
| | | S/T | 0.49 | 0.58 | 0.66 | 0.75 | 0.52 | 0.61 | 0.70 | 0.80 | 0.55 | 0.65 | 0.74 | 0.84 | 0.59 | 0.69 | 0.78 | 0.89 |
| | | PI | 2.71 | 2.71 | 2.72 | 2.72 | 2.87 | 2.88 | 2.88 | 2.88 | 3.04 | 3.05 | 3.05 | 3.05 | 3.23 | 3.23 | 3.23 | 3.24 |
| | 41 | TC | 36293 | 36342 | 36383 | 36432 | 38475 | 38520 | 38566 | 38612 | 40774 | 40827 | 40880 | 40925 | 43232 | 43279 | 43333 | 43386 |
| | | S/T | 0.50 | 0.58 | 0.66 | 0.75 | 0.53 | 0.62 | 0.70 | 0.80 | 0.56 | 0.65 | 0.74 | 0.85 | 0.59 | 0.69 | 0.79 | 0.90 |
| | | PI | 2.73 | 2.74 | 2.74 | 2.74 | 2.90 | 2.90 | 2.90 | 2.91 | 3.07 | 3.08 | 3.08 | 3.08 | 3.26 | 3.26 | 3.26 | 3.27 |
| | 47 | TC | 36039 | 36088 | 36128 | 36177 | 38206 | 38251 | 38296 | 38342 | 40489 | 40541 | 40594 | 40639 | 42929 | 42976 | 43029 | 43083 |
| | | S/T | 0.50 | 0.58 | 0.66 | 0.76 | 0.53 | 0.62 | 0.70 | 0.80 | 0.56 | 0.66 | 0.74 | 0.85 | 0.59 | 0.69 | 0.79 | 0.90 |
| | | PI | 2.75 | 2.76 | 2.76 | 2.76 | 2.92 | 2.92 | 2.92 | 2.93 | 3.09 | 3.10 | 3.10 | 3.10 | 3.28 | 3.28 | 3.29 | 3.29 |
| | 50 | TC | 36009 | 36057 | 36098 | 36146 | 38173 | 38218 | 38264 | 38309 | 40454 | 40507 | 40559 | 40605 | 42893 | 42940 | 42993 | 43046 |
| | | S/T | 0.50 | 0.58 | 0.66 | 0.76 | 0.53 | 0.62 | 0.70 | 0.80 | 0.56 | 0.66 | 0.75 | 0.85 | 0.59 | 0.70 | 0.79 | 0.90 |
| | | PI | 2.76 | 2.76 | 2.77 | 2.77 | 2.92 | 2.93 | 2.93 | 2.94 | 3.10 | 3.10 | 3.11 | 3.11 | 3.29 | 3.29 | 3.29 | 3.30 |
| | 59 | TC | 35917 | 35965 | 36006 | 36054 | 38076 | 38121 | 38166 | 38211 | 40351 | 40403 | 40456 | 40501 | 42783 | 42830 | 42883 | 42937 |
| | | S/T | 0.50 | 0.59 | 0.67 | 0.76 | 0.53 | 0.62 | 0.71 | 0.81 | 0.56 | 0.66 | 0.75 | 0.86 | 0.60 | 0.70 | 0.80 | 0.91 |
| | | PI | 2.78 | 2.78 | 2.79 | 2.79 | 2.95 | 2.95 | 2.95 | 2.96 | 3.12 | 3.13 | 3.13 | 3.13 | 3.31 | 3.31 | 3.32 | 3.32 |
| | 68 | TC | 35825 | 35873 | 35913 | 35962 | 37978 | 38023 | 38068 | 38113 | 40248 | 40300 | 40352 | 40397 | 42674 | 42720 | 42773 | 42827 |
| | | S/T | 0.50 | 0.59 | 0.67 | 0.77 | 0.53 | 0.63 | 0.71 | 0.81 | 0.57 | 0.66 | 0.75 | 0.86 | 0.60 | 0.70 | 0.80 | 0.91 |
| | | PI | 2.80 | 2.80 | 2.81 | 2.81 | 2.97 | 2.97 | 2.97 | 2.98 | 3.15 | 3.15 | 3.15 | 3.16 | 3.33 | 3.34 | 3.34 | 3.35 |
| | 77 | TC | 35733 | 35781 | 35821 | 35870 | 37881 | 37926 | 37971 | 38016 | 40144 | 40197 | 40249 | 40294 | 42564 | 42611 | 42664 | 42717 |
| | | S/T | 0.52 | 0.61 | 0.69 | 0.79 | 0.55 | 0.64 | 0.73 | 0.83 | 0.58 | 0.68 | 0.77 | 0.88 | 0.62 | 0.72 | 0.82 | 0.94 |
| | | PI | 2.82 | 2.82 | 2.83 | 2.83 | 2.99 | 2.99 | 3.00 | 3.00 | 3.17 | 3.17 | 3.18 | 3.18 | 3.36 | 3.36 | 3.37 | 3.37 |
| | 86 | TC | 30932 | 30973 | 31008 | 31050 | 32791 | 32829 | 32868 | 32907 | 34750 | 34795 | 34841 | 34879 | 36845 | 36885 | 36931 | 36977 |
| | | S/T | 0.52 | 0.61 | 0.70 | 0.80 | 0.56 | 0.65 | 0.74 | 0.84 | 0.59 | 0.69 | 0.78 | 0.89 | 0.62 | 0.73 | 0.83 | 0.95 |
| | | PI | 3.05 | 3.06 | 3.06 | 3.07 | 3.24 | 3.24 | 3.25 | 3.25 | 3.43 | 3.44 | 3.44 | 3.44 | 3.64 | 3.64 | 3.65 | 3.65 |
| | 95 | TC | 29753 | 29793 | 29826 | 29866 | 31541 | 31578 | 31616 | 31653 | 33426 | 33469 | 33513 | 33550 | 35441 | 35479 | 35524 | 35568 |
| | | S/T | 0.54 | 0.63 | 0.72 | 0.82 | 0.57 | 0.67 | 0.76 | 0.87 | 0.60 | 0.71 | 0.80 | 0.92 | 0.64 | 0.75 | 0.85 | 0.97 |
| | | PI | 3.12 | 3.13 | 3.13 | 3.14 | 3.31 | 3.32 | 3.32 | 3.32 | 3.51 | 3.51 | 3.52 | 3.52 | 3.72 | 3.73 | 3.73 | 3.73 |
| | 104 | TC | 25751 | 25785 | 25814 | 25849 | 27298 | 27331 | 27363 | 27396 | 28930 | 28967 | 29005 | 29037 | 30674 | 30707 | 30745 | 30784 |
| | | S/T | 0.56 | 0.66 | 0.75 | 0.86 | 0.60 | 0.70 | 0.80 | 0.91 | 0.63 | 0.74 | 0.84 | 0.96 | 0.67 | 0.79 | 0.90 | 1.02 |
| | | PI | 6.72 | 6.73 | 6.74 | 6.75 | 7.13 | 7.14 | 7.14 | 7.15 | 7.55 | 7.56 | 7.57 | 7.58 | 8.01 | 8.02 | 8.03 | 8.04 |
| | 114.8 | TC | 20948 | 20976 | 21000 | 21028 | 22207 | 22234 | 22260 | 22286 | 23534 | 23565 | 23596 | 23622 | 24953 | 24980 | 25011 | 25042 |
| | | S/T | 0.57 | 0.67 | 0.76 | 0.87 | 0.60 | 0.71 | 0.81 | 0.92 | 0.64 | 0.75 | 0.85 | 0.97 | 0.68 | 0.80 | 0.91 | 1.03 |
| | | PI | 11.04 | 11.06 | 11.07 | 11.08 | 11.71 | 11.72 | 11.73 | 11.75 | 12.41 | 12.42 | 12.44 | 12.45 | 13.15 | 13.17 | 13.18 | 13.20 |
| | 122 | TC | 17747 | 17770 | 17790 | 17814 | 18813 | 18835 | 18858 | 18880 | 19937 | 19963 | 19989 | 20012 | 21139 | 21162 | 21189 | 21215 |
| | | S/T | 0.59 | 0.69 | 0.79 | 0.90 | 0.63 | 0.73 | 0.84 | 0.95 | 0.66 | 0.78 | 0.89 | 1.01 | 0.70 | 0.83 | 0.94 | 1.07 |
| | | PI | 13.92 | 13.94 | 13.96 | 13.98 | 14.76 | 14.78 | 14.79 | 14.81 | 15.64 | 15.66 | 15.68 | 15.70 | 16.58 | 16.60 | 16.62 | 16.64 |

NOTE: Data highlighted in gray is extrapolated data and not actual test data. At 77°F outdoor conditions sweat protection activates causing a decrease in total capacity.

LEGEND

- TC - Total Net Capacity (Btu/hour)
- S/T: Sensible Cooling Capacity Ratio
- PI: Power Input (kW)
- Extrapolated Data

COOLING PERFORMANCE DUCTED

COOLING PERFORMANCE 36R (STANDARD)

DUCTED COOLING PERFORMANCE 36R (Sheet 1 of 4)

| AIRFLOW (CFM) | OUTDOOR DB (°F) | ID WB (°F) ID DB (°F) | 60.8 | | | | 64.4 | | | | 66.2 | | | | 71.6 | | | |
|---------------|-----------------|--------------------------|-------|-------|-------|-------|-------|-------|-------|-------|-------|-------|-------|-------|-------|-------|-------|-------|
| | | | 73.4 | 77.0 | 80.6 | 84.2 | 73.4 | 77.0 | 80.6 | 84.2 | 73.4 | 77.0 | 80.0 | 84.2 | 73.4 | 77.0 | 80.6 | 84.2 |
| 500 | -22 | TC | 18326 | 18351 | 18371 | 18396 | 19427 | 19450 | 19473 | 19496 | 20588 | 20615 | 20642 | 20665 | 21829 | 21853 | 21880 | 21908 |
| | | S/T | 0.21 | 0.24 | 0.27 | 0.31 | 0.22 | 0.26 | 0.29 | 0.33 | 0.23 | 0.27 | 0.31 | 0.35 | 0.24 | 0.29 | 0.33 | 0.37 |
| | | PI | 1.24 | 1.24 | 1.24 | 1.24 | 1.31 | 1.31 | 1.31 | 1.32 | 1.39 | 1.39 | 1.39 | 1.40 | 1.47 | 1.48 | 1.48 | 1.48 |
| | -10 | TC | 18086 | 18110 | 18130 | 18155 | 19173 | 19195 | 19218 | 19241 | 20318 | 20345 | 20371 | 20394 | 21543 | 21567 | 21593 | 21620 |
| | | S/T | 0.21 | 0.24 | 0.28 | 0.31 | 0.22 | 0.26 | 0.29 | 0.33 | 0.23 | 0.27 | 0.31 | 0.35 | 0.25 | 0.29 | 0.33 | 0.37 |
| | | PI | 1.27 | 1.28 | 1.28 | 1.28 | 1.35 | 1.35 | 1.35 | 1.36 | 1.43 | 1.43 | 1.44 | 1.44 | 1.52 | 1.52 | 1.52 | 1.52 |
| | 0 | TC | 17885 | 17909 | 17929 | 17954 | 18960 | 18983 | 19005 | 19028 | 20093 | 20119 | 20145 | 20168 | 21305 | 21328 | 21354 | 21381 |
| | | S/T | 0.21 | 0.24 | 0.28 | 0.32 | 0.22 | 0.26 | 0.29 | 0.34 | 0.23 | 0.27 | 0.31 | 0.36 | 0.25 | 0.29 | 0.33 | 0.38 |
| | | PI | 1.31 | 1.31 | 1.31 | 1.31 | 1.38 | 1.39 | 1.39 | 1.39 | 1.47 | 1.47 | 1.47 | 1.47 | 1.56 | 1.56 | 1.56 | 1.56 |
| | 5 | TC | 17785 | 17809 | 17829 | 17853 | 18854 | 18876 | 18899 | 18921 | 19981 | 20007 | 20033 | 20055 | 21185 | 21208 | 21235 | 21261 |
| | | S/T | 0.21 | 0.25 | 0.28 | 0.32 | 0.22 | 0.26 | 0.30 | 0.34 | 0.23 | 0.28 | 0.31 | 0.36 | 0.25 | 0.29 | 0.33 | 0.38 |
| | | PI | 1.32 | 1.32 | 1.33 | 1.33 | 1.40 | 1.40 | 1.40 | 1.41 | 1.49 | 1.49 | 1.49 | 1.49 | 1.57 | 1.58 | 1.58 | 1.58 |
| | 14 | TC | 17605 | 17629 | 17648 | 17672 | 18663 | 18685 | 18707 | 18729 | 19778 | 19804 | 19830 | 19852 | 20971 | 20993 | 21019 | 21046 |
| | | S/T | 0.21 | 0.25 | 0.28 | 0.32 | 0.22 | 0.26 | 0.30 | 0.34 | 0.24 | 0.28 | 0.31 | 0.36 | 0.25 | 0.29 | 0.33 | 0.38 |
| | | PI | 1.35 | 1.35 | 1.35 | 1.36 | 1.43 | 1.43 | 1.44 | 1.44 | 1.52 | 1.52 | 1.52 | 1.52 | 1.61 | 1.61 | 1.61 | 1.61 |
| | 17 | TC | 17545 | 17568 | 17588 | 17612 | 18599 | 18621 | 18643 | 18665 | 19711 | 19736 | 19762 | 19784 | 20899 | 20922 | 20948 | 20974 |
| | | S/T | 0.21 | 0.25 | 0.28 | 0.32 | 0.22 | 0.26 | 0.30 | 0.34 | 0.24 | 0.28 | 0.32 | 0.36 | 0.25 | 0.29 | 0.33 | 0.38 |
| | | PI | 1.36 | 1.36 | 1.36 | 1.37 | 1.44 | 1.44 | 1.45 | 1.45 | 1.53 | 1.53 | 1.53 | 1.53 | 1.62 | 1.62 | 1.62 | 1.63 |
| | 23 | TC | 17465 | 17488 | 17508 | 17531 | 18514 | 18536 | 18558 | 18580 | 19621 | 19646 | 19672 | 19694 | 20804 | 20826 | 20852 | 20878 |
| | | S/T | 0.21 | 0.25 | 0.28 | 0.32 | 0.22 | 0.26 | 0.30 | 0.34 | 0.24 | 0.28 | 0.32 | 0.36 | 0.25 | 0.29 | 0.33 | 0.38 |
| | | PI | 1.37 | 1.37 | 1.37 | 1.37 | 1.45 | 1.45 | 1.45 | 1.45 | 1.53 | 1.54 | 1.54 | 1.54 | 1.63 | 1.63 | 1.63 | 1.63 |
| | 32 | TC | 17344 | 17368 | 17387 | 17411 | 18387 | 18409 | 18431 | 18452 | 19486 | 19511 | 19536 | 19558 | 20660 | 20683 | 20709 | 20734 |
| | | S/T | 0.21 | 0.25 | 0.28 | 0.32 | 0.22 | 0.26 | 0.30 | 0.34 | 0.24 | 0.28 | 0.32 | 0.36 | 0.25 | 0.30 | 0.34 | 0.38 |
| | | PI | 1.38 | 1.38 | 1.38 | 1.38 | 1.46 | 1.46 | 1.46 | 1.46 | 1.55 | 1.55 | 1.55 | 1.55 | 1.64 | 1.64 | 1.64 | 1.64 |
| | 41 | TC | 17184 | 17207 | 17227 | 17250 | 18217 | 18239 | 18260 | 18282 | 19306 | 19331 | 19356 | 19378 | 20470 | 20492 | 20517 | 20543 |
| | | S/T | 0.21 | 0.25 | 0.28 | 0.32 | 0.23 | 0.26 | 0.30 | 0.34 | 0.24 | 0.28 | 0.32 | 0.36 | 0.25 | 0.30 | 0.34 | 0.39 |
| | | PI | 1.39 | 1.39 | 1.39 | 1.39 | 1.47 | 1.47 | 1.48 | 1.48 | 1.56 | 1.56 | 1.56 | 1.57 | 1.65 | 1.66 | 1.66 | 1.66 |
| | 47 | TC | 17064 | 17087 | 17106 | 17129 | 18090 | 18111 | 18133 | 18154 | 19171 | 19196 | 19221 | 19242 | 20326 | 20348 | 20374 | 20399 |
| | | S/T | 0.21 | 0.25 | 0.28 | 0.32 | 0.23 | 0.27 | 0.30 | 0.34 | 0.24 | 0.28 | 0.32 | 0.36 | 0.25 | 0.30 | 0.34 | 0.39 |
| | | PI | 1.40 | 1.40 | 1.40 | 1.40 | 1.48 | 1.48 | 1.49 | 1.49 | 1.57 | 1.57 | 1.57 | 1.58 | 1.66 | 1.67 | 1.67 | 1.67 |
| | 50 | TC | 17050 | 17073 | 17092 | 17115 | 18074 | 18096 | 18117 | 18139 | 19154 | 19179 | 19204 | 19226 | 20309 | 20331 | 20356 | 20382 |
| | | S/T | 0.21 | 0.25 | 0.29 | 0.33 | 0.23 | 0.27 | 0.30 | 0.35 | 0.24 | 0.28 | 0.32 | 0.37 | 0.26 | 0.30 | 0.34 | 0.39 |
| | | PI | 1.40 | 1.40 | 1.40 | 1.41 | 1.49 | 1.49 | 1.49 | 1.49 | 1.57 | 1.58 | 1.58 | 1.58 | 1.67 | 1.67 | 1.67 | 1.67 |
| | 59 | TC | 17006 | 17029 | 17048 | 17071 | 18028 | 18050 | 18071 | 18092 | 19106 | 19130 | 19155 | 19177 | 20257 | 20279 | 20305 | 20330 |
| | | S/T | 0.22 | 0.25 | 0.29 | 0.33 | 0.23 | 0.27 | 0.30 | 0.35 | 0.24 | 0.28 | 0.32 | 0.37 | 0.26 | 0.30 | 0.34 | 0.39 |
| | | PI | 1.41 | 1.41 | 1.41 | 1.42 | 1.50 | 1.50 | 1.50 | 1.50 | 1.59 | 1.59 | 1.59 | 1.59 | 1.68 | 1.68 | 1.69 | 1.69 |
| 68 | TC | 16963 | 16985 | 17004 | 17027 | 17982 | 18003 | 18025 | 18046 | 19057 | 19081 | 19106 | 19128 | 20205 | 20227 | 20253 | 20278 | |
| | S/T | 0.22 | 0.25 | 0.29 | 0.33 | 0.23 | 0.27 | 0.31 | 0.35 | 0.24 | 0.29 | 0.32 | 0.37 | 0.26 | 0.30 | 0.34 | 0.39 | |
| | PI | 1.42 | 1.42 | 1.43 | 1.43 | 1.51 | 1.51 | 1.51 | 1.51 | 1.60 | 1.60 | 1.60 | 1.60 | 1.69 | 1.70 | 1.70 | 1.70 | |
| 77 | TC | 16919 | 16942 | 16961 | 16984 | 17936 | 17957 | 17978 | 18000 | 19008 | 19032 | 19057 | 19078 | 20154 | 20176 | 20201 | 20226 | |
| | S/T | 0.22 | 0.26 | 0.30 | 0.34 | 0.24 | 0.28 | 0.31 | 0.36 | 0.25 | 0.29 | 0.33 | 0.38 | 0.26 | 0.31 | 0.35 | 0.40 | |
| | PI | 1.43 | 1.43 | 1.44 | 1.44 | 1.52 | 1.52 | 1.52 | 1.52 | 1.61 | 1.61 | 1.61 | 1.61 | 1.71 | 1.71 | 1.71 | 1.71 | |
| 86 | TC | 14646 | 14665 | 14682 | 14702 | 15526 | 15544 | 15563 | 15581 | 16454 | 16475 | 16496 | 16515 | 17446 | 17464 | 17486 | 17508 | |
| | S/T | 0.22 | 0.26 | 0.30 | 0.34 | 0.24 | 0.28 | 0.32 | 0.36 | 0.25 | 0.30 | 0.34 | 0.38 | 0.27 | 0.31 | 0.36 | 0.41 | |
| | PI | 1.55 | 1.55 | 1.56 | 1.56 | 1.64 | 1.65 | 1.65 | 1.65 | 1.74 | 1.74 | 1.75 | 1.75 | 1.85 | 1.85 | 1.85 | 1.85 | |
| 95 | TC | 14087 | 14106 | 14122 | 14141 | 14934 | 14952 | 14970 | 14987 | 15827 | 15847 | 15868 | 15885 | 16781 | 16799 | 16820 | 16841 | |
| | S/T | 0.23 | 0.27 | 0.31 | 0.35 | 0.24 | 0.29 | 0.33 | 0.37 | 0.26 | 0.30 | 0.35 | 0.39 | 0.27 | 0.32 | 0.37 | 0.42 | |
| | PI | 1.59 | 1.59 | 1.59 | 1.59 | 1.68 | 1.68 | 1.69 | 1.69 | 1.78 | 1.78 | 1.79 | 1.79 | 1.89 | 1.89 | 1.89 | 1.90 | |
| 104 | TC | 12193 | 12209 | 12223 | 12239 | 12925 | 12941 | 12956 | 12971 | 13698 | 13716 | 13733 | 13749 | 14524 | 14539 | 14557 | 14576 | |
| | S/T | 0.24 | 0.28 | 0.32 | 0.37 | 0.26 | 0.30 | 0.34 | 0.39 | 0.27 | 0.32 | 0.36 | 0.41 | 0.29 | 0.34 | 0.38 | 0.44 | |
| | PI | 3.41 | 3.42 | 3.42 | 3.43 | 3.62 | 3.62 | 3.63 | 3.63 | 3.84 | 3.84 | 3.85 | 3.85 | 4.07 | 4.07 | 4.08 | 4.08 | |
| 114.8 | TC | 9919 | 9932 | 9943 | 9957 | 10515 | 10527 | 10540 | 10552 | 11143 | 11158 | 11172 | 11185 | 11815 | 11828 | 11842 | 11857 | |
| | S/T | 0.25 | 0.29 | 0.33 | 0.37 | 0.26 | 0.30 | 0.35 | 0.39 | 0.28 | 0.32 | 0.37 | 0.42 | 0.29 | 0.34 | 0.39 | 0.44 | |
| | PI | 5.61 | 5.62 | 5.62 | 5.63 | 5.95 | 5.95 | 5.96 | 5.97 | 6.30 | 6.31 | 6.32 | 6.32 | 6.68 | 6.69 | 6.70 | 6.70 | |
| 122 | TC | 8403 | 8414 | 8423 | 8435 | 8908 | 8918 | 8929 | 8939 | 9440 | 9452 | 9465 | 9475 | 10009 | 10020 | 10032 | 10045 | |
| | S/T | 0.25 | 0.30 | 0.34 | 0.39 | 0.27 | 0.32 | 0.36 | 0.41 | 0.29 | 0.33 | 0.38 | 0.43 | 0.30 | 0.35 | 0.40 | 0.46 | |
| | PI | 7.07 | 7.08 | 7.09 | 7.10 | 7.50 | 7.50 | 7.51 | 7.52 | 7.94 | 7.95 | 7.96 | 7.97 | 8.42 | 8.43 | 8.44 | 8.45 | |

DUCTED COOLING PERFORMANCE 36R (Sheet 2 of 4)

| AIRFLOW (CFM) | OUTDOOR DB (°F) | ID WB (°F) | DUCTED COOLING PERFORMANCE 36R (Sheet 2 of 4) | | | | | | | | | | | | | | | |
|---------------|-----------------|------------|---|-------|-------|-------|-------|-------|-------|-------|-------|-------|-------|-------|-------|-------|-------|-------|
| | | | 60.8 | | | | 64.4 | | | | 66.2 | | | | 71.6 | | | |
| | | | ID DB (°F) | 73.4 | 77.0 | 80.6 | 84.2 | 73.4 | 77.0 | 80.6 | 84.2 | 73.4 | 77.0 | 80.0 | 84.20 | 73.4 | 77.0 | 80.6 |
| 820 | -22 | TC | 29757 | 29797 | 29830 | 29871 | 31545 | 31583 | 31620 | 31658 | 33430 | 33474 | 33517 | 33555 | 35446 | 35484 | 35528 | 35573 |
| | | S/T | 0.31 | 0.37 | 0.42 | 0.48 | 0.33 | 0.39 | 0.44 | 0.50 | 0.35 | 0.41 | 0.47 | 0.53 | 0.37 | 0.44 | 0.50 | 0.57 |
| | | PI | 1.87 | 1.88 | 1.88 | 1.88 | 1.99 | 1.99 | 1.99 | 1.99 | 2.10 | 2.11 | 2.11 | 2.11 | 2.23 | 2.23 | 2.24 | 2.24 |
| | -10 | TC | 29367 | 29406 | 29439 | 29479 | 31132 | 31168 | 31205 | 31242 | 32992 | 33035 | 33078 | 33115 | 34981 | 35019 | 35062 | 35106 |
| | | S/T | 0.32 | 0.37 | 0.42 | 0.48 | 0.33 | 0.39 | 0.45 | 0.51 | 0.35 | 0.42 | 0.47 | 0.54 | 0.38 | 0.44 | 0.50 | 0.57 |
| | | PI | 1.93 | 1.93 | 1.93 | 1.94 | 2.05 | 2.05 | 2.05 | 2.05 | 2.17 | 2.17 | 2.17 | 2.17 | 2.30 | 2.30 | 2.30 | 2.31 |
| | 0 | TC | 29041 | 29080 | 29113 | 29152 | 30787 | 30823 | 30860 | 30897 | 32627 | 32669 | 32711 | 32748 | 34593 | 34631 | 34674 | 34717 |
| | | S/T | 0.32 | 0.37 | 0.42 | 0.48 | 0.34 | 0.39 | 0.45 | 0.51 | 0.36 | 0.42 | 0.47 | 0.54 | 0.38 | 0.44 | 0.50 | 0.57 |
| | | PI | 1.98 | 1.98 | 1.98 | 1.99 | 2.10 | 2.10 | 2.10 | 2.10 | 2.22 | 2.22 | 2.23 | 2.23 | 2.36 | 2.36 | 2.36 | 2.36 |
| | 5 | TC | 28879 | 28918 | 28950 | 28989 | 30614 | 30651 | 30687 | 30724 | 32444 | 32486 | 32528 | 32565 | 34400 | 34437 | 34480 | 34523 |
| | | S/T | 0.32 | 0.37 | 0.42 | 0.48 | 0.34 | 0.40 | 0.45 | 0.51 | 0.36 | 0.42 | 0.48 | 0.54 | 0.38 | 0.44 | 0.50 | 0.58 |
| | | PI | 2.00 | 2.00 | 2.01 | 2.01 | 2.12 | 2.12 | 2.13 | 2.13 | 2.25 | 2.25 | 2.25 | 2.26 | 2.38 | 2.39 | 2.39 | 2.39 |
| | 14 | TC | 28586 | 28625 | 28657 | 28695 | 30304 | 30340 | 30376 | 30412 | 32115 | 32157 | 32199 | 32235 | 34051 | 34088 | 34131 | 34173 |
| | | S/T | 0.32 | 0.37 | 0.43 | 0.49 | 0.34 | 0.40 | 0.45 | 0.51 | 0.36 | 0.42 | 0.48 | 0.55 | 0.38 | 0.45 | 0.51 | 0.58 |
| | | PI | 2.04 | 2.05 | 2.05 | 2.05 | 2.17 | 2.17 | 2.17 | 2.18 | 2.30 | 2.30 | 2.30 | 2.31 | 2.44 | 2.44 | 2.44 | 2.44 |
| | 17 | TC | 28489 | 28527 | 28559 | 28597 | 30201 | 30237 | 30272 | 30308 | 32005 | 32047 | 32089 | 32125 | 33935 | 33972 | 34014 | 34056 |
| | | S/T | 0.32 | 0.38 | 0.43 | 0.49 | 0.34 | 0.40 | 0.45 | 0.52 | 0.36 | 0.42 | 0.48 | 0.55 | 0.38 | 0.45 | 0.51 | 0.58 |
| | | PI | 2.06 | 2.06 | 2.06 | 2.07 | 2.18 | 2.19 | 2.19 | 2.19 | 2.31 | 2.32 | 2.32 | 2.32 | 2.45 | 2.46 | 2.46 | 2.46 |
| | 23 | TC | 28358 | 28397 | 28428 | 28467 | 30063 | 30098 | 30134 | 30170 | 31859 | 31901 | 31942 | 31978 | 33780 | 33817 | 33859 | 33901 |
| | | S/T | 0.32 | 0.38 | 0.43 | 0.49 | 0.34 | 0.40 | 0.45 | 0.52 | 0.36 | 0.42 | 0.48 | 0.55 | 0.38 | 0.45 | 0.51 | 0.58 |
| | | PI | 2.07 | 2.07 | 2.07 | 2.08 | 2.19 | 2.20 | 2.20 | 2.20 | 2.32 | 2.33 | 2.33 | 2.33 | 2.46 | 2.47 | 2.47 | 2.47 |
| | 32 | TC | 28163 | 28201 | 28233 | 28271 | 29856 | 29891 | 29927 | 29962 | 31640 | 31681 | 31722 | 31758 | 33548 | 33584 | 33626 | 33668 |
| | | S/T | 0.32 | 0.38 | 0.43 | 0.49 | 0.34 | 0.40 | 0.46 | 0.52 | 0.36 | 0.43 | 0.48 | 0.55 | 0.38 | 0.45 | 0.51 | 0.58 |
| | | PI | 2.08 | 2.09 | 2.09 | 2.09 | 2.21 | 2.21 | 2.21 | 2.22 | 2.34 | 2.34 | 2.35 | 2.35 | 2.48 | 2.48 | 2.49 | 2.49 |
| | 41 | TC | 27903 | 27941 | 27972 | 28010 | 29580 | 29615 | 29650 | 29686 | 31348 | 31389 | 31429 | 31464 | 33238 | 33274 | 33315 | 33357 |
| | | S/T | 0.32 | 0.38 | 0.43 | 0.49 | 0.34 | 0.40 | 0.46 | 0.52 | 0.36 | 0.43 | 0.49 | 0.55 | 0.39 | 0.45 | 0.51 | 0.59 |
| | | PI | 2.10 | 2.10 | 2.11 | 2.11 | 2.23 | 2.23 | 2.23 | 2.24 | 2.36 | 2.36 | 2.37 | 2.37 | 2.50 | 2.51 | 2.51 | 2.51 |
| | 47 | TC | 27708 | 27745 | 27776 | 27814 | 29373 | 29408 | 29443 | 29478 | 31129 | 31169 | 31210 | 31244 | 33005 | 33041 | 33082 | 33123 |
| | | S/T | 0.32 | 0.38 | 0.43 | 0.49 | 0.34 | 0.40 | 0.46 | 0.52 | 0.36 | 0.43 | 0.49 | 0.55 | 0.39 | 0.45 | 0.52 | 0.59 |
| | | PI | 2.12 | 2.12 | 2.12 | 2.12 | 2.24 | 2.25 | 2.25 | 2.25 | 2.38 | 2.38 | 2.38 | 2.39 | 2.52 | 2.52 | 2.53 | 2.53 |
| | 50 | TC | 27684 | 27722 | 27753 | 27790 | 29348 | 29383 | 29418 | 29453 | 31102 | 31143 | 31183 | 31218 | 32977 | 33013 | 33054 | 33095 |
| | | S/T | 0.33 | 0.38 | 0.43 | 0.50 | 0.35 | 0.41 | 0.46 | 0.52 | 0.37 | 0.43 | 0.49 | 0.56 | 0.39 | 0.46 | 0.52 | 0.59 |
| | | PI | 2.12 | 2.12 | 2.13 | 2.13 | 2.25 | 2.25 | 2.25 | 2.26 | 2.38 | 2.39 | 2.39 | 2.39 | 2.53 | 2.53 | 2.53 | 2.54 |
| | 59 | TC | 27614 | 27651 | 27682 | 27719 | 29274 | 29308 | 29343 | 29378 | 31023 | 31063 | 31103 | 31138 | 32893 | 32929 | 32970 | 33011 |
| | | S/T | 0.33 | 0.38 | 0.44 | 0.50 | 0.35 | 0.41 | 0.46 | 0.53 | 0.37 | 0.43 | 0.49 | 0.56 | 0.39 | 0.46 | 0.52 | 0.59 |
| | | PI | 2.14 | 2.14 | 2.14 | 2.14 | 2.27 | 2.27 | 2.27 | 2.27 | 2.40 | 2.40 | 2.41 | 2.41 | 2.55 | 2.55 | 2.55 | 2.55 |
| | 68 | TC | 27543 | 27580 | 27611 | 27648 | 29199 | 29233 | 29268 | 29303 | 30943 | 30984 | 31024 | 31059 | 32809 | 32844 | 32885 | 32926 |
| | | S/T | 0.33 | 0.39 | 0.44 | 0.50 | 0.35 | 0.41 | 0.47 | 0.53 | 0.37 | 0.43 | 0.49 | 0.56 | 0.39 | 0.46 | 0.52 | 0.60 |
| | | PI | 2.15 | 2.16 | 2.16 | 2.16 | 2.28 | 2.28 | 2.29 | 2.29 | 2.42 | 2.42 | 2.42 | 2.43 | 2.56 | 2.57 | 2.57 | 2.57 |
| | 77 | TC | 27473 | 27509 | 27540 | 27577 | 29124 | 29158 | 29193 | 29227 | 30864 | 30904 | 30944 | 30979 | 32725 | 32760 | 32801 | 32842 |
| | | S/T | 0.34 | 0.40 | 0.45 | 0.51 | 0.36 | 0.42 | 0.48 | 0.54 | 0.38 | 0.45 | 0.51 | 0.58 | 0.40 | 0.47 | 0.54 | 0.61 |
| | | PI | 2.17 | 2.17 | 2.17 | 2.18 | 2.30 | 2.30 | 2.30 | 2.31 | 2.44 | 2.44 | 2.44 | 2.44 | 2.58 | 2.59 | 2.59 | 2.59 |
| | 86 | TC | 23781 | 23813 | 23840 | 23872 | 25210 | 25240 | 25270 | 25300 | 26717 | 26751 | 26786 | 26816 | 28327 | 28358 | 28393 | 28429 |
| | | S/T | 0.34 | 0.40 | 0.46 | 0.52 | 0.36 | 0.43 | 0.48 | 0.55 | 0.38 | 0.45 | 0.51 | 0.58 | 0.41 | 0.48 | 0.54 | 0.62 |
| | | PI | 2.35 | 2.35 | 2.35 | 2.36 | 2.49 | 2.49 | 2.50 | 2.50 | 2.64 | 2.64 | 2.65 | 2.65 | 2.80 | 2.80 | 2.80 | 2.81 |
| | 95 | TC | 22875 | 22905 | 22931 | 22962 | 24250 | 24278 | 24307 | 24336 | 25699 | 25732 | 25765 | 25794 | 27248 | 27277 | 27311 | 27345 |
| | | S/T | 0.35 | 0.41 | 0.47 | 0.53 | 0.37 | 0.44 | 0.50 | 0.57 | 0.39 | 0.46 | 0.53 | 0.60 | 0.42 | 0.49 | 0.56 | 0.64 |
| | | PI | 2.40 | 2.41 | 2.41 | 2.41 | 2.55 | 2.55 | 2.55 | 2.56 | 2.70 | 2.70 | 2.71 | 2.71 | 2.86 | 2.86 | 2.87 | 2.87 |
| 104 | TC | 19798 | 19824 | 19847 | 19873 | 20988 | 21013 | 21037 | 21062 | 22242 | 22271 | 22300 | 22325 | 23583 | 23608 | 23638 | 23667 | |
| | S/T | 0.37 | 0.43 | 0.49 | 0.56 | 0.39 | 0.46 | 0.52 | 0.59 | 0.41 | 0.49 | 0.55 | 0.63 | 0.44 | 0.52 | 0.59 | 0.67 | |
| | PI | 5.17 | 5.18 | 5.18 | 5.19 | 5.48 | 5.49 | 5.49 | 5.50 | 5.81 | 5.81 | 5.82 | 5.83 | 6.16 | 6.16 | 6.17 | 6.18 | |
| 114.8 | TC | 16106 | 16127 | 16145 | 16167 | 17074 | 17094 | 17114 | 17134 | 18094 | 18117 | 18141 | 18161 | 19185 | 19205 | 19229 | 19253 | |
| | S/T | 0.37 | 0.44 | 0.50 | 0.57 | 0.40 | 0.46 | 0.53 | 0.60 | 0.42 | 0.49 | 0.56 | 0.64 | 0.44 | 0.52 | 0.59 | 0.68 | |
| | PI | 8.49 | 8.50 | 8.51 | 8.52 | 9.00 | 9.01 | 9.02 | 9.03 | 9.54 | 9.55 | 9.56 | 9.57 | 10.11 | 10.12 | 10.14 | 10.15 | |
| 122 | TC | 13644 | 13662 | 13678 | 13696 | 14464 | 14481 | 14498 | 14516 | 15328 | 15348 | 15368 | 15385 | 16252 | 16270 | 16290 | 16311 | |
| | S/T | 0.39 | 0.45 | 0.51 | 0.59 | 0.41 | 0.48 | 0.55 | 0.62 | 0.43 | 0.51 | 0.58 | 0.66 | 0.46 | 0.54 | 0.61 | 0.70 | |
| | PI | 10.70 | 10.72 | 10.73 | 10.74 | 11.35 | 11.36 | 11.37 | 11.39 | 12.02 | 12.04 | 12.06 | 12.07 | 12.75 | 12.76 | 12.78 | 12.80 | |

DUCTED COOLING PERFORMANCE 36R (Sheet 3 of 4)

| AIRFLOW (CFM) | OUTDOOR DB (°F) | ID WB (°F) | DUCTED COOLING PERFORMANCE 36R (Sheet 3 of 4) | | | | | | | | | | | | | | | |
|------------------|--------------------|---------------|---|-------|-------|-------|-------|-------|-------|-------|-------|-------|-------|-------|-------|-------|-------|-------|
| | | | 60.8 | | | | 64.4 | | | | 66.2 | | | | 71.6 | | | |
| | | | ID DB (°F) | 73.4 | 77.0 | 80.6 | 84.2 | 73.4 | 77.0 | 80.6 | 84.2 | 73.4 | 77.0 | 80.0 | 84.20 | 73.4 | 77.0 | 80.6 |
| 1260 | -22 | TC | 45271 | 45332 | 45383 | 45444 | 47992 | 48049 | 48106 | 48163 | 50860 | 50926 | 50992 | 51049 | 53926 | 53985 | 54052 | 54119 |
| | | S/T | 0.48 | 0.56 | 0.63 | 0.72 | 0.50 | 0.59 | 0.67 | 0.77 | 0.53 | 0.63 | 0.71 | 0.81 | 0.57 | 0.67 | 0.76 | 0.86 |
| | | PI | 2.85 | 2.85 | 2.86 | 2.86 | 3.02 | 3.02 | 3.03 | 3.03 | 3.20 | 3.21 | 3.21 | 3.21 | 3.39 | 3.40 | 3.40 | 3.41 |
| | -10 | TC | 44678 | 44738 | 44788 | 44848 | 47363 | 47419 | 47475 | 47531 | 50193 | 50258 | 50324 | 50380 | 53219 | 53277 | 53343 | 53409 |
| | | S/T | 0.48 | 0.56 | 0.64 | 0.73 | 0.51 | 0.60 | 0.68 | 0.77 | 0.54 | 0.63 | 0.72 | 0.82 | 0.57 | 0.67 | 0.76 | 0.87 |
| | | PI | 2.94 | 2.94 | 2.94 | 2.95 | 3.11 | 3.12 | 3.12 | 3.12 | 3.30 | 3.30 | 3.31 | 3.31 | 3.50 | 3.50 | 3.51 | 3.51 |
| | 0 | TC | 44183 | 44242 | 44292 | 44352 | 46838 | 46894 | 46949 | 47005 | 49637 | 49702 | 49766 | 49822 | 52630 | 52687 | 52752 | 52818 |
| | | S/T | 0.48 | 0.57 | 0.64 | 0.73 | 0.51 | 0.60 | 0.68 | 0.78 | 0.54 | 0.64 | 0.72 | 0.82 | 0.57 | 0.67 | 0.77 | 0.87 |
| | | PI | 3.01 | 3.01 | 3.02 | 3.02 | 3.19 | 3.19 | 3.20 | 3.20 | 3.38 | 3.38 | 3.39 | 3.39 | 3.58 | 3.59 | 3.59 | 3.60 |
| | 5 | TC | 43935 | 43994 | 44044 | 44103 | 46576 | 46631 | 46686 | 46742 | 49359 | 49423 | 49488 | 49543 | 52335 | 52392 | 52457 | 52522 |
| | | S/T | 0.48 | 0.57 | 0.64 | 0.73 | 0.51 | 0.60 | 0.68 | 0.78 | 0.54 | 0.64 | 0.72 | 0.83 | 0.58 | 0.68 | 0.77 | 0.88 |
| | | PI | 3.05 | 3.05 | 3.05 | 3.06 | 3.23 | 3.23 | 3.24 | 3.24 | 3.42 | 3.43 | 3.43 | 3.43 | 3.63 | 3.63 | 3.64 | 3.64 |
| | 14 | TC | 43490 | 43549 | 43597 | 43656 | 46104 | 46159 | 46213 | 46268 | 48859 | 48922 | 48986 | 49041 | 51804 | 51861 | 51925 | 51990 |
| | | S/T | 0.49 | 0.57 | 0.65 | 0.74 | 0.51 | 0.60 | 0.69 | 0.78 | 0.55 | 0.64 | 0.73 | 0.83 | 0.58 | 0.68 | 0.77 | 0.88 |
| | | PI | 3.11 | 3.11 | 3.12 | 3.12 | 3.30 | 3.30 | 3.31 | 3.31 | 3.49 | 3.50 | 3.50 | 3.51 | 3.71 | 3.71 | 3.71 | 3.72 |
| | 17 | TC | 43342 | 43400 | 43449 | 43507 | 45947 | 46001 | 46056 | 46110 | 48692 | 48755 | 48819 | 48873 | 51628 | 51684 | 51748 | 51812 |
| | | S/T | 0.49 | 0.57 | 0.65 | 0.74 | 0.52 | 0.61 | 0.69 | 0.78 | 0.55 | 0.64 | 0.73 | 0.83 | 0.58 | 0.68 | 0.77 | 0.88 |
| | | PI | 3.13 | 3.14 | 3.14 | 3.14 | 3.32 | 3.32 | 3.33 | 3.33 | 3.52 | 3.52 | 3.53 | 3.53 | 3.73 | 3.74 | 3.74 | 3.74 |
| | 23 | TC | 43144 | 43202 | 43250 | 43309 | 45737 | 45791 | 45845 | 45900 | 48470 | 48533 | 48596 | 48650 | 51392 | 51448 | 51512 | 51576 |
| | | S/T | 0.49 | 0.57 | 0.65 | 0.74 | 0.52 | 0.61 | 0.69 | 0.79 | 0.55 | 0.64 | 0.73 | 0.83 | 0.58 | 0.68 | 0.78 | 0.88 |
| | | PI | 3.15 | 3.15 | 3.15 | 3.16 | 3.34 | 3.34 | 3.34 | 3.35 | 3.54 | 3.54 | 3.54 | 3.55 | 3.75 | 3.75 | 3.76 | 3.76 |
| | 32 | TC | 42847 | 42905 | 42953 | 43011 | 45422 | 45476 | 45530 | 45584 | 48136 | 48199 | 48262 | 48315 | 51038 | 51094 | 51157 | 51221 |
| | | S/T | 0.49 | 0.58 | 0.65 | 0.75 | 0.52 | 0.61 | 0.69 | 0.79 | 0.55 | 0.65 | 0.74 | 0.84 | 0.58 | 0.69 | 0.78 | 0.89 |
| | | PI | 3.17 | 3.17 | 3.18 | 3.18 | 3.36 | 3.36 | 3.37 | 3.37 | 3.56 | 3.56 | 3.57 | 3.57 | 3.77 | 3.78 | 3.78 | 3.79 |
| | 41 | TC | 42451 | 42508 | 42556 | 42613 | 45003 | 45056 | 45109 | 45163 | 47692 | 47754 | 47816 | 47869 | 50567 | 50622 | 50685 | 50748 |
| | | S/T | 0.49 | 0.58 | 0.66 | 0.75 | 0.52 | 0.61 | 0.70 | 0.79 | 0.55 | 0.65 | 0.74 | 0.84 | 0.59 | 0.69 | 0.78 | 0.89 |
| | | PI | 3.20 | 3.20 | 3.21 | 3.21 | 3.39 | 3.39 | 3.40 | 3.40 | 3.59 | 3.60 | 3.60 | 3.61 | 3.81 | 3.81 | 3.82 | 3.82 |
| | 47 | TC | 42154 | 42211 | 42258 | 42315 | 44688 | 44741 | 44794 | 44847 | 47358 | 47420 | 47481 | 47534 | 50213 | 50268 | 50330 | 50393 |
| | | S/T | 0.49 | 0.58 | 0.66 | 0.75 | 0.52 | 0.61 | 0.70 | 0.80 | 0.56 | 0.65 | 0.74 | 0.84 | 0.59 | 0.69 | 0.78 | 0.89 |
| | | PI | 3.22 | 3.22 | 3.23 | 3.23 | 3.41 | 3.42 | 3.42 | 3.42 | 3.62 | 3.62 | 3.63 | 3.63 | 3.83 | 3.84 | 3.84 | 3.85 |
| | 50 | TC | 42118 | 42175 | 42222 | 42279 | 44650 | 44703 | 44756 | 44809 | 47318 | 47379 | 47441 | 47494 | 50170 | 50225 | 50287 | 50350 |
| | | S/T | 0.50 | 0.58 | 0.66 | 0.75 | 0.53 | 0.62 | 0.70 | 0.80 | 0.56 | 0.65 | 0.74 | 0.85 | 0.59 | 0.69 | 0.79 | 0.90 |
| | | PI | 3.23 | 3.23 | 3.24 | 3.24 | 3.42 | 3.43 | 3.43 | 3.43 | 3.63 | 3.63 | 3.63 | 3.64 | 3.84 | 3.85 | 3.85 | 3.86 |
| | 59 | TC | 42011 | 42067 | 42115 | 42171 | 44536 | 44589 | 44641 | 44694 | 47197 | 47259 | 47320 | 47373 | 50042 | 50097 | 50159 | 50222 |
| | | S/T | 0.50 | 0.58 | 0.66 | 0.76 | 0.53 | 0.62 | 0.70 | 0.80 | 0.56 | 0.66 | 0.75 | 0.85 | 0.59 | 0.70 | 0.79 | 0.90 |
| | | PI | 3.25 | 3.26 | 3.26 | 3.26 | 3.45 | 3.45 | 3.45 | 3.46 | 3.65 | 3.66 | 3.66 | 3.67 | 3.87 | 3.88 | 3.88 | 3.89 |
| | 68 | TC | 41903 | 41960 | 42007 | 42063 | 44422 | 44475 | 44527 | 44580 | 47076 | 47138 | 47199 | 47252 | 49914 | 49969 | 50031 | 50093 |
| | | S/T | 0.50 | 0.59 | 0.67 | 0.76 | 0.53 | 0.62 | 0.71 | 0.81 | 0.56 | 0.66 | 0.75 | 0.86 | 0.60 | 0.70 | 0.80 | 0.91 |
| | | PI | 3.27 | 3.28 | 3.28 | 3.29 | 3.47 | 3.48 | 3.48 | 3.48 | 3.68 | 3.68 | 3.69 | 3.69 | 3.90 | 3.90 | 3.91 | 3.91 |
| | 77 | TC | 41796 | 41852 | 41899 | 41956 | 44308 | 44360 | 44413 | 44466 | 46956 | 47017 | 47078 | 47130 | 49786 | 49841 | 49903 | 49965 |
| | | S/T | 0.51 | 0.60 | 0.69 | 0.78 | 0.54 | 0.64 | 0.73 | 0.83 | 0.58 | 0.68 | 0.77 | 0.88 | 0.61 | 0.72 | 0.82 | 0.93 |
| | | PI | 3.30 | 3.30 | 3.31 | 3.31 | 3.50 | 3.50 | 3.50 | 3.51 | 3.71 | 3.71 | 3.71 | 3.72 | 3.93 | 3.93 | 3.94 | 3.94 |
| | 86 | TC | 36180 | 36228 | 36269 | 36318 | 38354 | 38400 | 38445 | 38491 | 40646 | 40699 | 40752 | 40797 | 43096 | 43143 | 43197 | 43251 |
| | | S/T | 0.52 | 0.61 | 0.69 | 0.79 | 0.55 | 0.65 | 0.74 | 0.84 | 0.59 | 0.69 | 0.78 | 0.89 | 0.62 | 0.73 | 0.83 | 0.94 |
| | | PI | 3.57 | 3.58 | 3.58 | 3.59 | 3.79 | 3.79 | 3.80 | 3.80 | 4.01 | 4.02 | 4.02 | 4.03 | 4.26 | 4.26 | 4.27 | 4.27 |
| | 95 | TC | 34801 | 34848 | 34887 | 34934 | 36893 | 36936 | 36980 | 37024 | 39097 | 39148 | 39199 | 39243 | 41454 | 41499 | 41551 | 41603 |
| | | S/T | 0.53 | 0.63 | 0.71 | 0.81 | 0.57 | 0.66 | 0.75 | 0.86 | 0.60 | 0.70 | 0.80 | 0.91 | 0.64 | 0.75 | 0.85 | 0.97 |
| | | PI | 3.65 | 3.66 | 3.66 | 3.67 | 3.87 | 3.88 | 3.88 | 3.89 | 4.11 | 4.11 | 4.12 | 4.12 | 4.35 | 4.36 | 4.36 | 4.37 |
| | 104 | TC | 30120 | 30160 | 30194 | 30235 | 31930 | 31968 | 32006 | 32044 | 33838 | 33882 | 33926 | 33964 | 35878 | 35917 | 35962 | 36007 |
| | | S/T | 0.56 | 0.66 | 0.75 | 0.85 | 0.59 | 0.70 | 0.79 | 0.90 | 0.63 | 0.74 | 0.84 | 0.96 | 0.67 | 0.78 | 0.89 | 1.02 |
| | | PI | 7.86 | 7.87 | 7.88 | 7.89 | 8.34 | 8.35 | 8.36 | 8.37 | 8.83 | 8.85 | 8.86 | 8.87 | 9.37 | 9.38 | 9.39 | 9.40 |
| | 114.8 | TC | 24503 | 24535 | 24563 | 24596 | 25975 | 26006 | 26037 | 26068 | 27527 | 27563 | 27599 | 27630 | 29187 | 29219 | 29255 | 29291 |
| | | S/T | 0.57 | 0.67 | 0.76 | 0.86 | 0.60 | 0.71 | 0.80 | 0.91 | 0.64 | 0.75 | 0.85 | 0.97 | 0.68 | 0.79 | 0.90 | 1.03 |
| | | PI | 12.92 | 12.93 | 12.95 | 12.97 | 13.69 | 13.71 | 13.72 | 13.74 | 14.51 | 14.53 | 14.55 | 14.56 | 15.39 | 15.40 | 15.42 | 15.44 |
| 122 | TC | 20758 | 20786 | 20809 | 20837 | 22005 | 22031 | 22057 | 22084 | 23320 | 23350 | 23381 | 23407 | 24726 | 24753 | 24784 | 24815 | |
| | S/T | 0.59 | 0.69 | 0.78 | 0.89 | 0.62 | 0.73 | 0.83 | 0.95 | 0.66 | 0.77 | 0.88 | 1.00 | 0.70 | 0.82 | 0.93 | 1.06 | |
| | PI | 16.28 | 16.31 | 16.32 | 16.35 | 17.26 | 17.28 | 17.30 | 17.32 | 18.29 | 18.32 | 18.34 | 18.36 | 19.40 | 19.42 | 19.44 | 19.47 | |

DUCTED COOLING PERFORMANCE 36R (Sheet 4 of 4)

| AIRFLOW (CFM) | OUTDOOR DB (°F) | ID WB (°F) | DUCTED COOLING PERFORMANCE 36R (Sheet 4 of 4) | | | | | | | | | | | | | | | |
|------------------|--------------------|---------------|---|-------|-------|-------|-------|-------|-------|-------|-------|-------|-------|-------|-------|-------|-------|-------|
| | | | 60.8 | | | | 64.4 | | | | 66.2 | | | | 71.6 | | | |
| | | | ID DB (°F) | 73.4 | 77.0 | 80.6 | 84.2 | 73.4 | 77.0 | 80.6 | 84.2 | 73.4 | 77.0 | 80.0 | 84.20 | 73.4 | 77.0 | 80.6 |
| 1280 | -22 | TC | 45534 | 45596 | 45647 | 45708 | 48271 | 48328 | 48386 | 48443 | 51156 | 51222 | 51289 | 51346 | 54240 | 54299 | 54366 | 54434 |
| | | S/T | 0.48 | 0.56 | 0.64 | 0.73 | 0.51 | 0.60 | 0.68 | 0.77 | 0.54 | 0.63 | 0.72 | 0.82 | 0.57 | 0.67 | 0.76 | 0.87 |
| | | PI | 2.87 | 2.87 | 2.87 | 2.88 | 3.04 | 3.04 | 3.05 | 3.05 | 3.22 | 3.22 | 3.23 | 3.23 | 3.41 | 3.42 | 3.42 | 3.43 |
| | -10 | TC | 44937 | 44998 | 45048 | 45109 | 47638 | 47695 | 47751 | 47808 | 50485 | 50550 | 50616 | 50673 | 53528 | 53587 | 53653 | 53720 |
| | | S/T | 0.48 | 0.57 | 0.64 | 0.73 | 0.51 | 0.60 | 0.68 | 0.78 | 0.54 | 0.64 | 0.72 | 0.82 | 0.57 | 0.67 | 0.77 | 0.87 |
| | | PI | 2.95 | 2.96 | 2.96 | 2.96 | 3.13 | 3.13 | 3.14 | 3.14 | 3.32 | 3.32 | 3.33 | 3.33 | 3.52 | 3.52 | 3.53 | 3.53 |
| | 0 | TC | 44440 | 44499 | 44549 | 44609 | 47111 | 47166 | 47222 | 47278 | 49926 | 49991 | 50056 | 50112 | 52936 | 52993 | 53059 | 53125 |
| | | S/T | 0.48 | 0.57 | 0.65 | 0.74 | 0.51 | 0.60 | 0.69 | 0.78 | 0.54 | 0.64 | 0.73 | 0.83 | 0.58 | 0.68 | 0.77 | 0.88 |
| | | PI | 3.03 | 3.03 | 3.03 | 3.04 | 3.21 | 3.21 | 3.22 | 3.22 | 3.40 | 3.40 | 3.41 | 3.41 | 3.60 | 3.61 | 3.61 | 3.62 |
| | 5 | TC | 44191 | 44250 | 44300 | 44360 | 46847 | 46902 | 46958 | 47014 | 49646 | 49711 | 49775 | 49831 | 52639 | 52696 | 52762 | 52828 |
| | | S/T | 0.49 | 0.57 | 0.65 | 0.74 | 0.52 | 0.60 | 0.69 | 0.78 | 0.55 | 0.64 | 0.73 | 0.83 | 0.58 | 0.68 | 0.77 | 0.88 |
| | | PI | 3.06 | 3.07 | 3.07 | 3.07 | 3.25 | 3.25 | 3.25 | 3.26 | 3.44 | 3.45 | 3.45 | 3.45 | 3.65 | 3.65 | 3.66 | 3.66 |
| | 14 | TC | 43743 | 43802 | 43851 | 43910 | 46372 | 46427 | 46482 | 46537 | 49143 | 49207 | 49271 | 49326 | 52106 | 52166 | 52227 | 52292 |
| | | S/T | 0.49 | 0.57 | 0.65 | 0.74 | 0.52 | 0.61 | 0.69 | 0.79 | 0.55 | 0.64 | 0.73 | 0.83 | 0.58 | 0.68 | 0.78 | 0.88 |
| | | PI | 3.13 | 3.13 | 3.14 | 3.14 | 3.32 | 3.32 | 3.32 | 3.33 | 3.51 | 3.52 | 3.52 | 3.53 | 3.73 | 3.73 | 3.74 | 3.74 |
| | 17 | TC | 43594 | 43652 | 43701 | 43760 | 46214 | 46269 | 46323 | 46378 | 48975 | 49039 | 49103 | 49158 | 51928 | 51984 | 52049 | 52114 |
| | | S/T | 0.49 | 0.57 | 0.65 | 0.74 | 0.52 | 0.61 | 0.69 | 0.79 | 0.55 | 0.65 | 0.73 | 0.84 | 0.58 | 0.68 | 0.78 | 0.89 |
| | | PI | 3.15 | 3.15 | 3.16 | 3.16 | 3.34 | 3.34 | 3.35 | 3.35 | 3.54 | 3.54 | 3.55 | 3.55 | 3.75 | 3.76 | 3.76 | 3.77 |
| | 23 | TC | 43395 | 43453 | 43502 | 43560 | 46003 | 46057 | 46112 | 46167 | 48752 | 48815 | 48879 | 48933 | 51691 | 51747 | 51811 | 51876 |
| | | S/T | 0.49 | 0.58 | 0.65 | 0.75 | 0.52 | 0.61 | 0.69 | 0.79 | 0.55 | 0.65 | 0.74 | 0.84 | 0.58 | 0.69 | 0.78 | 0.89 |
| | | PI | 3.16 | 3.17 | 3.17 | 3.18 | 3.36 | 3.36 | 3.36 | 3.37 | 3.56 | 3.56 | 3.56 | 3.57 | 3.77 | 3.77 | 3.78 | 3.78 |
| | 32 | TC | 43096 | 43154 | 43202 | 43261 | 45686 | 45740 | 45795 | 45849 | 48416 | 48479 | 48542 | 48596 | 51335 | 51391 | 51455 | 51519 |
| | | S/T | 0.49 | 0.58 | 0.66 | 0.75 | 0.52 | 0.61 | 0.70 | 0.80 | 0.55 | 0.65 | 0.74 | 0.84 | 0.59 | 0.69 | 0.78 | 0.89 |
| | | PI | 3.19 | 3.19 | 3.19 | 3.20 | 3.38 | 3.38 | 3.39 | 3.39 | 3.58 | 3.58 | 3.59 | 3.59 | 3.80 | 3.80 | 3.80 | 3.81 |
| | 41 | TC | 42698 | 42755 | 42803 | 42861 | 45264 | 45318 | 45372 | 45425 | 47969 | 48031 | 48094 | 48147 | 50861 | 50916 | 50979 | 51043 |
| | | S/T | 0.50 | 0.58 | 0.66 | 0.75 | 0.53 | 0.62 | 0.70 | 0.80 | 0.56 | 0.65 | 0.74 | 0.85 | 0.59 | 0.69 | 0.79 | 0.90 |
| | | PI | 3.22 | 3.22 | 3.22 | 3.23 | 3.41 | 3.41 | 3.42 | 3.42 | 3.61 | 3.62 | 3.62 | 3.63 | 3.83 | 3.84 | 3.84 | 3.84 |
| | 47 | TC | 42399 | 42456 | 42504 | 42561 | 44948 | 45001 | 45054 | 45108 | 47634 | 47695 | 47757 | 47811 | 50505 | 50560 | 50623 | 50686 |
| | | S/T | 0.50 | 0.58 | 0.66 | 0.76 | 0.53 | 0.62 | 0.70 | 0.80 | 0.56 | 0.66 | 0.74 | 0.85 | 0.59 | 0.69 | 0.79 | 0.90 |
| | | PI | 3.24 | 3.24 | 3.25 | 3.25 | 3.43 | 3.44 | 3.44 | 3.44 | 3.64 | 3.64 | 3.65 | 3.65 | 3.86 | 3.86 | 3.87 | 3.87 |
| | 50 | TC | 42363 | 42420 | 42468 | 42525 | 44909 | 44963 | 45016 | 45069 | 47593 | 47655 | 47717 | 47770 | 50462 | 50517 | 50580 | 50643 |
| | | S/T | 0.50 | 0.58 | 0.66 | 0.76 | 0.53 | 0.62 | 0.70 | 0.80 | 0.56 | 0.66 | 0.75 | 0.85 | 0.59 | 0.70 | 0.79 | 0.90 |
| | | PI | 3.25 | 3.25 | 3.25 | 3.26 | 3.44 | 3.45 | 3.45 | 3.45 | 3.65 | 3.65 | 3.66 | 3.66 | 3.87 | 3.87 | 3.88 | 3.88 |
| | 59 | TC | 42255 | 42312 | 42359 | 42417 | 44795 | 44848 | 44901 | 44954 | 47472 | 47533 | 47595 | 47648 | 50333 | 50388 | 50451 | 50514 |
| | | S/T | 0.50 | 0.59 | 0.67 | 0.76 | 0.53 | 0.62 | 0.71 | 0.81 | 0.56 | 0.66 | 0.75 | 0.86 | 0.60 | 0.70 | 0.80 | 0.91 |
| | | PI | 3.27 | 3.27 | 3.28 | 3.28 | 3.47 | 3.47 | 3.47 | 3.48 | 3.67 | 3.68 | 3.68 | 3.69 | 3.89 | 3.90 | 3.90 | 3.91 |
| | 68 | TC | 42147 | 42204 | 42251 | 42308 | 44680 | 44733 | 44786 | 44839 | 47350 | 47412 | 47473 | 47526 | 50205 | 50259 | 50322 | 50384 |
| | | S/T | 0.50 | 0.59 | 0.67 | 0.77 | 0.53 | 0.63 | 0.71 | 0.81 | 0.57 | 0.66 | 0.75 | 0.86 | 0.60 | 0.70 | 0.80 | 0.91 |
| | | PI | 3.29 | 3.30 | 3.30 | 3.31 | 3.49 | 3.50 | 3.50 | 3.50 | 3.70 | 3.70 | 3.71 | 3.71 | 3.92 | 3.93 | 3.93 | 3.94 |
| | 77 | TC | 42039 | 42096 | 42143 | 42200 | 44566 | 44618 | 44671 | 44724 | 47229 | 47290 | 47352 | 47404 | 50076 | 50130 | 50193 | 50255 |
| | | S/T | 0.52 | 0.61 | 0.69 | 0.79 | 0.55 | 0.64 | 0.73 | 0.83 | 0.58 | 0.68 | 0.77 | 0.88 | 0.62 | 0.72 | 0.82 | 0.94 |
| | | PI | 3.32 | 3.32 | 3.33 | 3.33 | 3.52 | 3.52 | 3.53 | 3.53 | 3.73 | 3.73 | 3.74 | 3.74 | 3.95 | 3.96 | 3.96 | 3.97 |
| | 86 | TC | 36390 | 36439 | 36480 | 36529 | 38577 | 38623 | 38669 | 38715 | 40882 | 40936 | 40989 | 41035 | 43347 | 43394 | 43448 | 43502 |
| | | S/T | 0.52 | 0.61 | 0.70 | 0.80 | 0.56 | 0.65 | 0.74 | 0.84 | 0.59 | 0.69 | 0.78 | 0.89 | 0.62 | 0.73 | 0.83 | 0.95 |
| | | PI | 3.59 | 3.60 | 3.60 | 3.61 | 3.81 | 3.81 | 3.82 | 3.82 | 4.04 | 4.04 | 4.05 | 4.05 | 4.28 | 4.29 | 4.29 | 4.30 |
| | 95 | TC | 35003 | 35050 | 35090 | 35137 | 37107 | 37151 | 37195 | 37239 | 39325 | 39376 | 39427 | 39471 | 41695 | 41741 | 41792 | 41844 |
| | | S/T | 0.54 | 0.63 | 0.72 | 0.82 | 0.57 | 0.67 | 0.76 | 0.87 | 0.60 | 0.71 | 0.80 | 0.92 | 0.64 | 0.75 | 0.85 | 0.97 |
| | | PI | 3.68 | 3.68 | 3.68 | 3.69 | 3.90 | 3.90 | 3.91 | 3.91 | 4.13 | 4.13 | 4.14 | 4.14 | 4.38 | 4.38 | 4.39 | 4.39 |
| | 104 | TC | 30295 | 30336 | 30370 | 30411 | 32116 | 32154 | 32192 | 32230 | 34035 | 34079 | 34123 | 34162 | 36087 | 36126 | 36171 | 36216 |
| | | S/T | 0.56 | 0.66 | 0.75 | 0.86 | 0.60 | 0.70 | 0.80 | 0.91 | 0.63 | 0.74 | 0.84 | 0.96 | 0.67 | 0.79 | 0.90 | 1.02 |
| | | PI | 7.91 | 7.92 | 7.93 | 7.94 | 8.39 | 8.40 | 8.41 | 8.42 | 8.89 | 8.90 | 8.91 | 8.92 | 9.42 | 9.43 | 9.44 | 9.46 |
| | 114.8 | TC | 24645 | 24678 | 24706 | 24739 | 26126 | 26157 | 26188 | 26219 | 27687 | 27723 | 27759 | 27790 | 29357 | 29388 | 29425 | 29462 |
| | | S/T | 0.57 | 0.67 | 0.76 | 0.87 | 0.60 | 0.71 | 0.81 | 0.92 | 0.64 | 0.75 | 0.85 | 0.97 | 0.68 | 0.80 | 0.91 | 1.03 |
| | | PI | 12.99 | 13.01 | 13.02 | 13.04 | 13.77 | 13.79 | 13.80 | 13.82 | 14.59 | 14.61 | 14.63 | 14.65 | 15.47 | 15.49 | 15.51 | 15.53 |
| | 122 | TC | 20878 | 20906 | 20930 | 20958 | 22133 | 22159 | 22186 | 22212 | 23456 | 23486 | 23517 | 23543 | 24870 | 24897 | 24928 | 24959 |
| | | S/T | 0.59 | 0.69 | 0.79 | 0.90 | 0.63 | 0.73 | 0.84 | 0.95 | 0.66 | 0.78 | 0.89 | 1.01 | 0.70 | 0.83 | 0.94 | 1.07 |
| | | PI | 16.38 | 16.40 | 16.42 | 16.44 | 17.36 | 17.38 | 17.40 | 17.42 | 18.40 | 18.42 | 18.45 | 18.47 | 19.51 | 19.53 | 19.56 | 19.58 |

NOTE: Data highlighted in gray is extrapolated data and not actual test data. At 77°F outdoor conditions sweat protection activates causing a decrease in total capacity.

LEGEND

- TC - Total Net Capacity (Btu/hour)
- S/T: Sensible Cooling Capacity Ratio
- PI: Power Input (kW)
- Extrapolated Data

COOLING PERFORMANCE DUCTED

COOLING PERFORMANCE 36HH (HIGH HEAT)

DUCTED COOLING PERFORMANCE 36HH (Sheet 1 of 4)

| AIRFLOW (CFM) | OUTDOOR DB (°F) | ID WB (°F) ID DB (°F) | 60.8 | | | | 64.4 | | | | 66.2 | | | | 71.6 | | | |
|---------------|-----------------|--------------------------|-------|-------|-------|-------|-------|-------|-------|-------|-------|-------|-------|-------|-------|-------|-------|-------|
| | | | 73.4 | 77.0 | 80.6 | 84.2 | 73.4 | 77.0 | 80.6 | 84.2 | 73.4 | 77.0 | 80.0 | 84.20 | 73.4 | 77.0 | 80.6 | 84.2 |
| | | | TC | S/T | PI | TC | S/T | PI | TC | S/T | PI | TC | S/T | PI | TC | S/T | PI | TC |
| 500 | -22 | TC | 18807 | 18832 | 18853 | 18878 | 19937 | 19960 | 19984 | 20008 | 21128 | 21156 | 21183 | 21207 | 22402 | 22426 | 22454 | 22482 |
| | | S/T | 0.21 | 0.24 | 0.27 | 0.31 | 0.22 | 0.26 | 0.29 | 0.33 | 0.23 | 0.27 | 0.31 | 0.35 | 0.24 | 0.29 | 0.33 | 0.37 |
| | | PI | 1.19 | 1.19 | 1.19 | 1.19 | 1.26 | 1.26 | 1.26 | 1.27 | 1.34 | 1.34 | 1.34 | 1.34 | 1.42 | 1.42 | 1.42 | 1.42 |
| | -10 | TC | 18566 | 18591 | 18612 | 18637 | 19682 | 19705 | 19729 | 19752 | 20858 | 20885 | 20912 | 20936 | 22116 | 22140 | 22167 | 22195 |
| | | S/T | 0.21 | 0.24 | 0.28 | 0.31 | 0.22 | 0.26 | 0.29 | 0.33 | 0.23 | 0.27 | 0.31 | 0.35 | 0.25 | 0.29 | 0.33 | 0.37 |
| | | PI | 1.27 | 1.27 | 1.27 | 1.27 | 1.34 | 1.34 | 1.34 | 1.35 | 1.42 | 1.42 | 1.43 | 1.43 | 1.51 | 1.51 | 1.51 | 1.51 |
| | 0 | TC | 18366 | 18391 | 18411 | 18436 | 19470 | 19493 | 19516 | 19539 | 20633 | 20660 | 20687 | 20710 | 21877 | 21901 | 21928 | 21955 |
| | | S/T | 0.21 | 0.24 | 0.28 | 0.32 | 0.22 | 0.26 | 0.29 | 0.34 | 0.23 | 0.27 | 0.31 | 0.36 | 0.25 | 0.29 | 0.33 | 0.38 |
| | | PI | 1.33 | 1.33 | 1.33 | 1.33 | 1.41 | 1.41 | 1.41 | 1.41 | 1.49 | 1.49 | 1.50 | 1.50 | 1.58 | 1.58 | 1.59 | 1.59 |
| | 5 | TC | 18266 | 18290 | 18311 | 18336 | 19364 | 19387 | 19410 | 19433 | 20521 | 20547 | 20574 | 20597 | 21758 | 21781 | 21809 | 21836 |
| | | S/T | 0.21 | 0.25 | 0.28 | 0.32 | 0.22 | 0.26 | 0.30 | 0.34 | 0.23 | 0.28 | 0.31 | 0.36 | 0.25 | 0.29 | 0.33 | 0.38 |
| | | PI | 1.36 | 1.36 | 1.36 | 1.37 | 1.44 | 1.44 | 1.45 | 1.45 | 1.53 | 1.53 | 1.53 | 1.53 | 1.62 | 1.62 | 1.62 | 1.63 |
| | 14 | TC | 18086 | 18110 | 18130 | 18155 | 19173 | 19195 | 19218 | 19241 | 20318 | 20345 | 20371 | 20394 | 21543 | 21567 | 21593 | 21620 |
| | | S/T | 0.21 | 0.25 | 0.28 | 0.32 | 0.22 | 0.26 | 0.30 | 0.34 | 0.24 | 0.28 | 0.31 | 0.36 | 0.25 | 0.29 | 0.33 | 0.38 |
| | | PI | 1.42 | 1.42 | 1.42 | 1.42 | 1.50 | 1.50 | 1.51 | 1.51 | 1.59 | 1.59 | 1.60 | 1.60 | 1.69 | 1.69 | 1.69 | 1.69 |
| | 17 | TC | 18025 | 18050 | 18070 | 18094 | 19109 | 19131 | 19154 | 19177 | 20251 | 20277 | 20303 | 20326 | 21472 | 21495 | 21522 | 21548 |
| | | S/T | 0.21 | 0.25 | 0.28 | 0.32 | 0.22 | 0.26 | 0.30 | 0.34 | 0.24 | 0.28 | 0.32 | 0.36 | 0.25 | 0.29 | 0.33 | 0.38 |
| | | PI | 1.44 | 1.44 | 1.44 | 1.44 | 1.52 | 1.52 | 1.53 | 1.53 | 1.61 | 1.61 | 1.62 | 1.62 | 1.71 | 1.71 | 1.71 | 1.72 |
| | 23 | TC | 17905 | 17929 | 17949 | 17974 | 18981 | 19004 | 19026 | 19049 | 20116 | 20142 | 20168 | 20191 | 21328 | 21352 | 21378 | 21405 |
| | | S/T | 0.21 | 0.25 | 0.28 | 0.32 | 0.22 | 0.26 | 0.30 | 0.34 | 0.24 | 0.28 | 0.32 | 0.36 | 0.25 | 0.29 | 0.33 | 0.38 |
| | | PI | 1.46 | 1.46 | 1.46 | 1.47 | 1.55 | 1.55 | 1.55 | 1.55 | 1.64 | 1.64 | 1.65 | 1.65 | 1.74 | 1.74 | 1.74 | 1.75 |
| | 32 | TC | 17725 | 17749 | 17769 | 17793 | 18790 | 18813 | 18835 | 18857 | 19913 | 19939 | 19965 | 19987 | 21114 | 21137 | 21163 | 21189 |
| | | S/T | 0.21 | 0.25 | 0.28 | 0.32 | 0.22 | 0.26 | 0.30 | 0.34 | 0.24 | 0.28 | 0.32 | 0.36 | 0.25 | 0.30 | 0.34 | 0.38 |
| | | PI | 1.50 | 1.50 | 1.50 | 1.50 | 1.59 | 1.59 | 1.59 | 1.59 | 1.68 | 1.69 | 1.69 | 1.69 | 1.78 | 1.79 | 1.79 | 1.79 |
| | 41 | TC | 17545 | 17568 | 17588 | 17612 | 18599 | 18621 | 18643 | 18665 | 19711 | 19736 | 19762 | 19784 | 20899 | 20922 | 20948 | 20974 |
| | | S/T | 0.21 | 0.25 | 0.28 | 0.32 | 0.23 | 0.26 | 0.30 | 0.34 | 0.24 | 0.28 | 0.32 | 0.36 | 0.25 | 0.30 | 0.34 | 0.39 |
| | | PI | 1.52 | 1.52 | 1.52 | 1.53 | 1.61 | 1.61 | 1.62 | 1.62 | 1.71 | 1.71 | 1.71 | 1.71 | 1.81 | 1.81 | 1.82 | 1.82 |
| 47 | TC | 17425 | 17448 | 17468 | 17491 | 18472 | 18494 | 18516 | 18538 | 19576 | 19601 | 19627 | 19649 | 20756 | 20778 | 20804 | 20830 | |
| | S/T | 0.21 | 0.25 | 0.28 | 0.32 | 0.23 | 0.27 | 0.30 | 0.34 | 0.24 | 0.28 | 0.32 | 0.36 | 0.25 | 0.30 | 0.34 | 0.39 | |
| | PI | 1.53 | 1.53 | 1.53 | 1.54 | 1.62 | 1.62 | 1.63 | 1.63 | 1.72 | 1.72 | 1.72 | 1.73 | 1.82 | 1.82 | 1.83 | 1.83 | |
| 50 | TC | 17377 | 17401 | 17420 | 17444 | 18422 | 18444 | 18465 | 18487 | 19523 | 19548 | 19573 | 19595 | 20700 | 20722 | 20748 | 20774 | |
| | S/T | 0.21 | 0.25 | 0.29 | 0.33 | 0.23 | 0.27 | 0.30 | 0.35 | 0.24 | 0.28 | 0.32 | 0.37 | 0.26 | 0.30 | 0.34 | 0.39 | |
| | PI | 1.53 | 1.53 | 1.54 | 1.54 | 1.62 | 1.63 | 1.63 | 1.63 | 1.72 | 1.72 | 1.73 | 1.73 | 1.82 | 1.83 | 1.83 | 1.83 | |
| 59 | TC | 17236 | 17259 | 17278 | 17302 | 18272 | 18293 | 18315 | 18337 | 19364 | 19389 | 19414 | 19436 | 20531 | 20553 | 20579 | 20604 | |
| | S/T | 0.22 | 0.25 | 0.29 | 0.33 | 0.23 | 0.27 | 0.30 | 0.35 | 0.24 | 0.28 | 0.32 | 0.37 | 0.26 | 0.30 | 0.34 | 0.39 | |
| | PI | 1.54 | 1.54 | 1.54 | 1.54 | 1.63 | 1.63 | 1.63 | 1.63 | 1.73 | 1.73 | 1.73 | 1.73 | 1.83 | 1.83 | 1.83 | 1.84 | |
| 68 | TC | 17094 | 17117 | 17136 | 17159 | 18121 | 18143 | 18164 | 18186 | 19204 | 19229 | 19254 | 19276 | 20362 | 20384 | 20410 | 20435 | |
| | S/T | 0.22 | 0.25 | 0.29 | 0.33 | 0.23 | 0.27 | 0.31 | 0.35 | 0.24 | 0.29 | 0.32 | 0.37 | 0.26 | 0.30 | 0.34 | 0.39 | |
| | PI | 1.54 | 1.54 | 1.55 | 1.55 | 1.63 | 1.64 | 1.64 | 1.64 | 1.73 | 1.73 | 1.74 | 1.74 | 1.84 | 1.84 | 1.84 | 1.84 | |
| 77 | TC | 16952 | 16975 | 16994 | 17017 | 17971 | 17993 | 18014 | 18035 | 19045 | 19070 | 19095 | 19116 | 20193 | 20215 | 20240 | 20266 | |
| | S/T | 0.22 | 0.26 | 0.30 | 0.34 | 0.24 | 0.28 | 0.31 | 0.36 | 0.25 | 0.29 | 0.33 | 0.38 | 0.26 | 0.31 | 0.35 | 0.40 | |
| | PI | 1.55 | 1.55 | 1.55 | 1.55 | 1.64 | 1.64 | 1.64 | 1.65 | 1.74 | 1.74 | 1.74 | 1.74 | 1.84 | 1.84 | 1.85 | 1.85 | |
| 86 | TC | 15858 | 15879 | 15897 | 15918 | 16811 | 16831 | 16850 | 16870 | 17815 | 17838 | 17861 | 17881 | 18889 | 18910 | 18933 | 18957 | |
| | S/T | 0.22 | 0.26 | 0.30 | 0.34 | 0.24 | 0.28 | 0.32 | 0.36 | 0.25 | 0.30 | 0.34 | 0.38 | 0.27 | 0.31 | 0.36 | 0.41 | |
| | PI | 1.70 | 1.70 | 1.70 | 1.71 | 1.80 | 1.80 | 1.81 | 1.81 | 1.91 | 1.91 | 1.91 | 1.92 | 2.02 | 2.03 | 2.03 | 2.03 | |
| 95 | TC | 15496 | 15517 | 15534 | 15555 | 16427 | 16447 | 16466 | 16486 | 17409 | 17431 | 17454 | 17474 | 18458 | 18478 | 18501 | 18524 | |
| | S/T | 0.23 | 0.27 | 0.31 | 0.35 | 0.24 | 0.29 | 0.33 | 0.37 | 0.26 | 0.30 | 0.35 | 0.39 | 0.27 | 0.32 | 0.37 | 0.42 | |
| | PI | 1.74 | 1.74 | 1.74 | 1.74 | 1.84 | 1.84 | 1.85 | 1.85 | 1.95 | 1.95 | 1.96 | 1.96 | 2.07 | 2.07 | 2.07 | 2.08 | |
| 104 | TC | 13697 | 13716 | 13731 | 13749 | 14520 | 14538 | 14555 | 14572 | 15388 | 15408 | 15428 | 15445 | 16316 | 16333 | 16354 | 16374 | |
| | S/T | 0.24 | 0.28 | 0.32 | 0.37 | 0.26 | 0.30 | 0.34 | 0.39 | 0.27 | 0.32 | 0.36 | 0.41 | 0.29 | 0.34 | 0.38 | 0.44 | |
| | PI | 3.87 | 3.88 | 3.88 | 3.89 | 4.11 | 4.11 | 4.12 | 4.12 | 4.35 | 4.36 | 4.36 | 4.37 | 4.61 | 4.62 | 4.63 | 4.63 | |
| 114.8 | TC | 11539 | 11554 | 11567 | 11583 | 12232 | 12247 | 12261 | 12276 | 12963 | 12980 | 12997 | 13011 | 13744 | 13759 | 13777 | 13794 | |
| | S/T | 0.25 | 0.29 | 0.33 | 0.37 | 0.26 | 0.30 | 0.35 | 0.39 | 0.28 | 0.32 | 0.37 | 0.42 | 0.29 | 0.34 | 0.39 | 0.44 | |
| | PI | 6.44 | 6.45 | 6.45 | 6.46 | 6.82 | 6.83 | 6.84 | 6.85 | 7.23 | 7.24 | 7.25 | 7.26 | 7.67 | 7.68 | 7.69 | 7.70 | |
| 122 | TC | 10100 | 10113 | 10124 | 10138 | 10707 | 10719 | 10732 | 10745 | 11346 | 11361 | 11376 | 11389 | 12030 | 12043 | 12058 | 12073 | |
| | S/T | 0.25 | 0.30 | 0.34 | 0.39 | 0.27 | 0.32 | 0.36 | 0.41 | 0.29 | 0.33 | 0.38 | 0.43 | 0.30 | 0.35 | 0.40 | 0.46 | |
| | PI | 8.15 | 8.16 | 8.17 | 8.18 | 8.64 | 8.65 | 8.66 | 8.67 | 9.15 | 9.16 | 9.18 | 9.19 | 9.70 | 9.71 | 9.73 | 9.74 | |

DUCTED COOLING PERFORMANCE 36HH (Sheet 2 of 4)

| AIRFLOW (CFM) | OUTDOOR DB (°F) | ID WB (°F) ID DB (°F) | 60.8 | | | | 64.4 | | | | 66.2 | | | | 71.6 | | | |
|------------------|--------------------|--------------------------|-------|-------|-------|-------|-------|-------|-------|-------|-------|-------|-------|-------|-------|-------|-------|-------|
| | | | 73.4 | 77.0 | 80.6 | 84.2 | 73.4 | 77.0 | 80.6 | 84.2 | 73.4 | 77.0 | 80.0 | 84.20 | 73.4 | 77.0 | 80.6 | 84.2 |
| | | | TC | S/T | PI | TC | S/T | PI | TC | S/T | PI | TC | S/T | PI | TC | S/T | PI | TC |
| 820 | -22 | TC | 30537 | 30578 | 30613 | 30654 | 32373 | 32411 | 32450 | 32488 | 34307 | 34352 | 34396 | 34435 | 36375 | 36415 | 36460 | 36506 |
| | | S/T | 0.31 | 0.37 | 0.42 | 0.48 | 0.33 | 0.39 | 0.44 | 0.50 | 0.35 | 0.41 | 0.47 | 0.53 | 0.37 | 0.44 | 0.50 | 0.57 |
| | | PI | 1.80 | 1.80 | 1.81 | 1.81 | 1.91 | 1.91 | 1.91 | 1.92 | 2.02 | 2.03 | 2.03 | 2.03 | 2.15 | 2.15 | 2.15 | 2.15 |
| | -10 | TC | 30147 | 30188 | 30222 | 30262 | 31959 | 31997 | 32035 | 32073 | 33869 | 33913 | 33957 | 33995 | 35911 | 35950 | 35994 | 36039 |
| | | S/T | 0.32 | 0.37 | 0.42 | 0.48 | 0.33 | 0.39 | 0.45 | 0.51 | 0.35 | 0.42 | 0.47 | 0.54 | 0.38 | 0.44 | 0.50 | 0.57 |
| | | PI | 1.92 | 1.92 | 1.92 | 1.92 | 2.03 | 2.03 | 2.04 | 2.04 | 2.15 | 2.16 | 2.16 | 2.16 | 2.28 | 2.28 | 2.29 | 2.29 |
| | 0 | TC | 29822 | 29862 | 29896 | 29936 | 31614 | 31652 | 31689 | 31727 | 33503 | 33547 | 33591 | 33628 | 35523 | 35562 | 35606 | 35650 |
| | | S/T | 0.32 | 0.37 | 0.42 | 0.48 | 0.34 | 0.39 | 0.45 | 0.51 | 0.36 | 0.42 | 0.47 | 0.54 | 0.38 | 0.44 | 0.50 | 0.57 |
| | | PI | 2.01 | 2.01 | 2.02 | 2.02 | 2.13 | 2.13 | 2.14 | 2.14 | 2.26 | 2.26 | 2.27 | 2.27 | 2.40 | 2.40 | 2.40 | 2.40 |
| | 5 | TC | 29659 | 29699 | 29733 | 29773 | 31442 | 31479 | 31516 | 31554 | 33321 | 33364 | 33407 | 33445 | 35329 | 35368 | 35412 | 35456 |
| | | S/T | 0.32 | 0.37 | 0.42 | 0.48 | 0.34 | 0.40 | 0.45 | 0.51 | 0.36 | 0.42 | 0.48 | 0.54 | 0.38 | 0.44 | 0.50 | 0.58 |
| | | PI | 2.06 | 2.06 | 2.06 | 2.07 | 2.18 | 2.19 | 2.19 | 2.19 | 2.31 | 2.32 | 2.32 | 2.32 | 2.45 | 2.46 | 2.46 | 2.46 |
| | 14 | TC | 29367 | 29406 | 29439 | 29479 | 31132 | 31168 | 31205 | 31242 | 32992 | 33035 | 33078 | 33115 | 34981 | 35019 | 35062 | 35106 |
| | | S/T | 0.32 | 0.37 | 0.43 | 0.49 | 0.34 | 0.40 | 0.45 | 0.51 | 0.36 | 0.42 | 0.48 | 0.55 | 0.38 | 0.45 | 0.51 | 0.58 |
| | | PI | 2.14 | 2.15 | 2.15 | 2.15 | 2.27 | 2.28 | 2.28 | 2.28 | 2.41 | 2.41 | 2.42 | 2.42 | 2.55 | 2.56 | 2.56 | 2.56 |
| | 17 | TC | 29269 | 29308 | 29341 | 29381 | 31028 | 31065 | 31102 | 31139 | 32882 | 32925 | 32968 | 33005 | 34865 | 34903 | 34946 | 34989 |
| | | S/T | 0.32 | 0.38 | 0.43 | 0.49 | 0.34 | 0.40 | 0.45 | 0.52 | 0.36 | 0.42 | 0.48 | 0.55 | 0.38 | 0.45 | 0.51 | 0.58 |
| | | PI | 2.17 | 2.18 | 2.18 | 2.18 | 2.30 | 2.31 | 2.31 | 2.31 | 2.44 | 2.44 | 2.45 | 2.45 | 2.59 | 2.59 | 2.59 | 2.60 |
| | 23 | TC | 29074 | 29113 | 29146 | 29185 | 30821 | 30858 | 30894 | 30931 | 32663 | 32706 | 32748 | 32785 | 34632 | 34670 | 34713 | 34756 |
| | | S/T | 0.32 | 0.38 | 0.43 | 0.49 | 0.34 | 0.40 | 0.45 | 0.52 | 0.36 | 0.42 | 0.48 | 0.55 | 0.38 | 0.45 | 0.51 | 0.58 |
| | | PI | 2.21 | 2.21 | 2.22 | 2.22 | 2.34 | 2.35 | 2.35 | 2.35 | 2.48 | 2.49 | 2.49 | 2.49 | 2.63 | 2.64 | 2.64 | 2.64 |
| | 32 | TC | 28781 | 28820 | 28852 | 28891 | 30511 | 30547 | 30583 | 30620 | 32334 | 32376 | 32418 | 32455 | 34284 | 34321 | 34364 | 34406 |
| | | S/T | 0.32 | 0.38 | 0.43 | 0.49 | 0.34 | 0.40 | 0.46 | 0.52 | 0.36 | 0.43 | 0.48 | 0.55 | 0.38 | 0.45 | 0.51 | 0.58 |
| | | PI | 2.27 | 2.27 | 2.27 | 2.28 | 2.40 | 2.41 | 2.41 | 2.41 | 2.55 | 2.55 | 2.56 | 2.56 | 2.70 | 2.71 | 2.71 | 2.71 |
| | 41 | TC | 28489 | 28527 | 28559 | 28597 | 30201 | 30237 | 30272 | 30308 | 32005 | 32047 | 32089 | 32125 | 33935 | 33972 | 34014 | 34056 |
| | | S/T | 0.32 | 0.38 | 0.43 | 0.49 | 0.34 | 0.40 | 0.46 | 0.52 | 0.36 | 0.43 | 0.49 | 0.55 | 0.39 | 0.45 | 0.51 | 0.59 |
| | | PI | 2.30 | 2.30 | 2.31 | 2.31 | 2.44 | 2.44 | 2.45 | 2.45 | 2.59 | 2.59 | 2.59 | 2.60 | 2.74 | 2.74 | 2.75 | 2.75 |
| | 47 | TC | 28293 | 28331 | 28363 | 28401 | 29994 | 30029 | 30065 | 30101 | 31786 | 31828 | 31869 | 31905 | 33702 | 33739 | 33781 | 33823 |
| | | S/T | 0.32 | 0.38 | 0.43 | 0.49 | 0.34 | 0.40 | 0.46 | 0.52 | 0.36 | 0.43 | 0.49 | 0.55 | 0.39 | 0.45 | 0.52 | 0.59 |
| | | PI | 2.32 | 2.32 | 2.32 | 2.32 | 2.46 | 2.46 | 2.46 | 2.46 | 2.60 | 2.61 | 2.61 | 2.61 | 2.76 | 2.76 | 2.77 | 2.77 |
| | 50 | TC | 28217 | 28255 | 28286 | 28325 | 29913 | 29948 | 29984 | 30019 | 31700 | 31741 | 31783 | 31818 | 33611 | 33648 | 33690 | 33732 |
| | | S/T | 0.33 | 0.38 | 0.43 | 0.50 | 0.35 | 0.41 | 0.46 | 0.52 | 0.37 | 0.43 | 0.49 | 0.56 | 0.39 | 0.46 | 0.52 | 0.59 |
| | | PI | 2.32 | 2.32 | 2.32 | 2.33 | 2.46 | 2.46 | 2.46 | 2.47 | 2.60 | 2.61 | 2.61 | 2.61 | 2.76 | 2.77 | 2.77 | 2.77 |
| | 59 | TC | 27987 | 28024 | 28056 | 28094 | 29669 | 29704 | 29739 | 29774 | 31442 | 31483 | 31524 | 31559 | 33337 | 33373 | 33415 | 33457 |
| | | S/T | 0.33 | 0.38 | 0.44 | 0.50 | 0.35 | 0.41 | 0.46 | 0.53 | 0.37 | 0.43 | 0.49 | 0.56 | 0.39 | 0.46 | 0.52 | 0.59 |
| | | PI | 2.33 | 2.33 | 2.33 | 2.34 | 2.47 | 2.47 | 2.47 | 2.48 | 2.61 | 2.62 | 2.62 | 2.62 | 2.77 | 2.77 | 2.78 | 2.78 |
| | 68 | TC | 27757 | 27794 | 27825 | 27863 | 29425 | 29460 | 29495 | 29530 | 31183 | 31224 | 31264 | 31299 | 33063 | 33099 | 33140 | 33182 |
| | | S/T | 0.33 | 0.39 | 0.44 | 0.50 | 0.35 | 0.41 | 0.47 | 0.53 | 0.37 | 0.43 | 0.49 | 0.56 | 0.39 | 0.46 | 0.52 | 0.60 |
| | | PI | 2.33 | 2.34 | 2.34 | 2.34 | 2.47 | 2.48 | 2.48 | 2.48 | 2.62 | 2.63 | 2.63 | 2.63 | 2.78 | 2.78 | 2.79 | 2.79 |
| | 77 | TC | 27527 | 27564 | 27595 | 27632 | 29181 | 29216 | 29250 | 29285 | 30925 | 30965 | 31005 | 31040 | 32789 | 32825 | 32866 | 32907 |
| | | S/T | 0.34 | 0.40 | 0.45 | 0.51 | 0.36 | 0.42 | 0.48 | 0.54 | 0.38 | 0.45 | 0.51 | 0.58 | 0.40 | 0.47 | 0.54 | 0.61 |
| | | PI | 2.34 | 2.35 | 2.35 | 2.35 | 2.48 | 2.49 | 2.49 | 2.49 | 2.63 | 2.63 | 2.64 | 2.64 | 2.79 | 2.79 | 2.80 | 2.80 |
| | 86 | TC | 25749 | 25783 | 25812 | 25847 | 27296 | 27329 | 27361 | 27394 | 28928 | 28965 | 29003 | 29035 | 30671 | 30705 | 30743 | 30781 |
| | | S/T | 0.34 | 0.40 | 0.46 | 0.52 | 0.36 | 0.43 | 0.48 | 0.55 | 0.38 | 0.45 | 0.51 | 0.58 | 0.41 | 0.48 | 0.54 | 0.62 |
| | | PI | 2.57 | 2.58 | 2.58 | 2.58 | 2.73 | 2.73 | 2.73 | 2.74 | 2.89 | 2.89 | 2.90 | 2.90 | 3.06 | 3.07 | 3.07 | 3.07 |
| | 95 | TC | 25162 | 25195 | 25224 | 25258 | 26674 | 26705 | 26737 | 26769 | 28268 | 28305 | 28341 | 28373 | 29972 | 30005 | 30042 | 30079 |
| | | S/T | 0.35 | 0.41 | 0.47 | 0.53 | 0.37 | 0.44 | 0.50 | 0.57 | 0.39 | 0.46 | 0.53 | 0.60 | 0.42 | 0.49 | 0.56 | 0.64 |
| | | PI | 2.63 | 2.63 | 2.64 | 2.64 | 2.79 | 2.79 | 2.80 | 2.80 | 2.96 | 2.96 | 2.96 | 2.97 | 3.13 | 3.14 | 3.14 | 3.14 |
| 104 | TC | 22241 | 22271 | 22296 | 22326 | 23578 | 23605 | 23633 | 23662 | 24986 | 25019 | 25051 | 25079 | 26493 | 26522 | 26555 | 26588 | |
| | S/T | 0.37 | 0.43 | 0.49 | 0.56 | 0.39 | 0.46 | 0.52 | 0.59 | 0.41 | 0.49 | 0.55 | 0.63 | 0.44 | 0.52 | 0.59 | 0.67 | |
| | PI | 5.86 | 5.87 | 5.88 | 5.89 | 6.22 | 6.22 | 6.23 | 6.24 | 6.59 | 6.60 | 6.61 | 6.61 | 6.99 | 6.99 | 7.00 | 7.01 | |
| 114.8 | TC | 18736 | 18761 | 18782 | 18807 | 19862 | 19885 | 19909 | 19933 | 21049 | 21076 | 21104 | 21127 | 22318 | 22342 | 22370 | 22398 | |
| | S/T | 0.37 | 0.44 | 0.50 | 0.57 | 0.40 | 0.46 | 0.53 | 0.60 | 0.42 | 0.49 | 0.56 | 0.64 | 0.44 | 0.52 | 0.59 | 0.68 | |
| | PI | 9.75 | 9.76 | 9.77 | 9.78 | 10.33 | 10.34 | 10.36 | 10.37 | 10.95 | 10.96 | 10.98 | 10.99 | 11.61 | 11.62 | 11.64 | 11.65 | |
| 122 | TC | 16399 | 16421 | 16440 | 16462 | 17385 | 17405 | 17426 | 17447 | 18424 | 18448 | 18472 | 18492 | 19534 | 19556 | 19580 | 19604 | |
| | S/T | 0.39 | 0.45 | 0.51 | 0.59 | 0.41 | 0.48 | 0.55 | 0.62 | 0.43 | 0.51 | 0.58 | 0.66 | 0.46 | 0.54 | 0.61 | 0.70 | |
| | PI | 12.33 | 12.35 | 12.36 | 12.38 | 13.07 | 13.09 | 13.10 | 13.12 | 13.86 | 13.87 | 13.89 | 13.91 | 14.69 | 14.71 | 14.72 | 14.74 | |

DUCTED COOLING PERFORMANCE 36HH (Sheet 3 of 4)

| AIRFLOW (CFM) | OUTDOOR DB (°F) | ID WB (°F) ID DB (°F) | 60.8 | | | | 64.4 | | | | 66.2 | | | | 71.6 | | | |
|------------------|--------------------|--------------------------|-------|-------|-------|-------|-------|-------|-------|-------|-------|-------|-------|-------|-------|-------|-------|-------|
| | | | 73.4 | 77.0 | 80.6 | 84.2 | 73.4 | 77.0 | 80.6 | 84.2 | 73.4 | 77.0 | 80.0 | 84.20 | 73.4 | 77.0 | 80.6 | 84.2 |
| | | | TC | S/T | PI | TC | S/T | PI | TC | S/T | PI | TC | S/T | PI | TC | S/T | PI | TC |
| 1260 | -22 | TC | 46459 | 46521 | 46573 | 46636 | 49251 | 49309 | 49368 | 49426 | 52194 | 52262 | 52330 | 52388 | 55341 | 55401 | 55470 | 55539 |
| | | S/T | 0.48 | 0.56 | 0.63 | 0.72 | 0.50 | 0.59 | 0.67 | 0.77 | 0.53 | 0.63 | 0.71 | 0.81 | 0.57 | 0.67 | 0.76 | 0.86 |
| | | PI | 2.74 | 2.74 | 2.75 | 2.75 | 2.91 | 2.91 | 2.91 | 2.92 | 3.08 | 3.08 | 3.09 | 3.09 | 3.26 | 3.27 | 3.27 | 3.27 |
| | -10 | TC | 45865 | 45927 | 45978 | 46040 | 48622 | 48679 | 48737 | 48795 | 51527 | 51594 | 51661 | 51719 | 54633 | 54693 | 54761 | 54829 |
| | | S/T | 0.48 | 0.56 | 0.64 | 0.73 | 0.51 | 0.60 | 0.68 | 0.77 | 0.54 | 0.63 | 0.72 | 0.82 | 0.57 | 0.67 | 0.76 | 0.87 |
| | | PI | 2.91 | 2.92 | 2.92 | 2.93 | 3.09 | 3.09 | 3.10 | 3.10 | 3.27 | 3.28 | 3.28 | 3.29 | 3.47 | 3.48 | 3.48 | 3.48 |
| | 0 | TC | 45370 | 45431 | 45482 | 45544 | 48097 | 48154 | 48211 | 48268 | 50971 | 51037 | 51104 | 51161 | 54044 | 54103 | 54170 | 54237 |
| | | S/T | 0.48 | 0.57 | 0.64 | 0.73 | 0.51 | 0.60 | 0.68 | 0.78 | 0.54 | 0.64 | 0.72 | 0.82 | 0.57 | 0.67 | 0.77 | 0.87 |
| | | PI | 3.06 | 3.06 | 3.07 | 3.07 | 3.24 | 3.25 | 3.25 | 3.26 | 3.44 | 3.44 | 3.45 | 3.45 | 3.64 | 3.65 | 3.65 | 3.66 |
| | 5 | TC | 45123 | 45184 | 45234 | 45295 | 47835 | 47891 | 47948 | 48005 | 50693 | 50759 | 50825 | 50882 | 53749 | 53808 | 53875 | 53942 |
| | | S/T | 0.48 | 0.57 | 0.64 | 0.73 | 0.51 | 0.60 | 0.68 | 0.78 | 0.54 | 0.64 | 0.72 | 0.83 | 0.58 | 0.68 | 0.77 | 0.88 |
| | | PI | 3.13 | 3.14 | 3.14 | 3.14 | 3.32 | 3.32 | 3.33 | 3.33 | 3.52 | 3.52 | 3.53 | 3.53 | 3.73 | 3.74 | 3.74 | 3.74 |
| | 14 | TC | 44678 | 44738 | 44788 | 44848 | 47363 | 47419 | 47475 | 47531 | 50193 | 50258 | 50324 | 50380 | 53219 | 53277 | 53343 | 53409 |
| | | S/T | 0.49 | 0.57 | 0.65 | 0.74 | 0.51 | 0.60 | 0.69 | 0.78 | 0.55 | 0.64 | 0.73 | 0.83 | 0.58 | 0.68 | 0.77 | 0.88 |
| | | PI | 3.26 | 3.27 | 3.27 | 3.28 | 3.46 | 3.46 | 3.47 | 3.47 | 3.67 | 3.67 | 3.68 | 3.68 | 3.89 | 3.89 | 3.90 | 3.90 |
| | 17 | TC | 44529 | 44589 | 44639 | 44699 | 47205 | 47261 | 47317 | 47374 | 50026 | 50091 | 50156 | 50212 | 53042 | 53100 | 53166 | 53232 |
| | | S/T | 0.49 | 0.57 | 0.65 | 0.74 | 0.52 | 0.61 | 0.69 | 0.78 | 0.55 | 0.64 | 0.73 | 0.83 | 0.58 | 0.68 | 0.77 | 0.88 |
| | | PI | 3.31 | 3.31 | 3.31 | 3.32 | 3.50 | 3.51 | 3.51 | 3.52 | 3.71 | 3.72 | 3.72 | 3.73 | 3.94 | 3.94 | 3.95 | 3.95 |
| | 23 | TC | 44232 | 44292 | 44341 | 44401 | 46891 | 46946 | 47002 | 47058 | 49693 | 49757 | 49822 | 49878 | 52688 | 52746 | 52811 | 52877 |
| | | S/T | 0.49 | 0.57 | 0.65 | 0.74 | 0.52 | 0.61 | 0.69 | 0.79 | 0.55 | 0.64 | 0.73 | 0.83 | 0.58 | 0.68 | 0.78 | 0.88 |
| | | PI | 3.36 | 3.37 | 3.37 | 3.38 | 3.57 | 3.57 | 3.57 | 3.58 | 3.78 | 3.78 | 3.79 | 3.79 | 4.01 | 4.01 | 4.02 | 4.02 |
| | 32 | TC | 43787 | 43846 | 43895 | 43954 | 46419 | 46474 | 46529 | 46584 | 49192 | 49256 | 49320 | 49376 | 52158 | 52215 | 52280 | 52345 |
| | | S/T | 0.49 | 0.58 | 0.65 | 0.75 | 0.52 | 0.61 | 0.69 | 0.79 | 0.55 | 0.65 | 0.74 | 0.84 | 0.58 | 0.69 | 0.78 | 0.89 |
| | | PI | 3.45 | 3.46 | 3.46 | 3.46 | 3.66 | 3.66 | 3.67 | 3.67 | 3.88 | 3.88 | 3.89 | 3.89 | 4.11 | 4.12 | 4.12 | 4.13 |
| | 41 | TC | 43342 | 43400 | 43449 | 43507 | 45947 | 46001 | 46056 | 46110 | 48692 | 48755 | 48819 | 48873 | 51628 | 51684 | 51748 | 51812 |
| | | S/T | 0.49 | 0.58 | 0.66 | 0.75 | 0.52 | 0.61 | 0.70 | 0.79 | 0.55 | 0.65 | 0.74 | 0.84 | 0.59 | 0.69 | 0.78 | 0.89 |
| | | PI | 3.50 | 3.51 | 3.51 | 3.52 | 3.71 | 3.72 | 3.72 | 3.73 | 3.93 | 3.94 | 3.94 | 3.95 | 4.17 | 4.18 | 4.18 | 4.19 |
| | 47 | TC | 43045 | 43103 | 43151 | 43209 | 45632 | 45686 | 45740 | 45794 | 48359 | 48422 | 48485 | 48539 | 51274 | 51330 | 51394 | 51458 |
| | | S/T | 0.49 | 0.58 | 0.66 | 0.75 | 0.52 | 0.61 | 0.70 | 0.80 | 0.56 | 0.65 | 0.74 | 0.84 | 0.59 | 0.69 | 0.78 | 0.89 |
| | | PI | 3.52 | 3.53 | 3.53 | 3.54 | 3.74 | 3.74 | 3.74 | 3.75 | 3.96 | 3.96 | 3.97 | 3.97 | 4.20 | 4.20 | 4.21 | 4.21 |
| | 50 | TC | 42928 | 42986 | 43034 | 43092 | 45508 | 45562 | 45616 | 45670 | 48228 | 48290 | 48353 | 48407 | 51135 | 51191 | 51254 | 51318 |
| | | S/T | 0.50 | 0.58 | 0.66 | 0.75 | 0.53 | 0.62 | 0.70 | 0.80 | 0.56 | 0.65 | 0.74 | 0.85 | 0.59 | 0.69 | 0.79 | 0.90 |
| | | PI | 3.53 | 3.53 | 3.54 | 3.54 | 3.74 | 3.74 | 3.75 | 3.75 | 3.96 | 3.97 | 3.97 | 3.98 | 4.20 | 4.21 | 4.21 | 4.22 |
| | 59 | TC | 42578 | 42635 | 42683 | 42741 | 45137 | 45191 | 45244 | 45298 | 47835 | 47897 | 47959 | 48013 | 50718 | 50773 | 50837 | 50900 |
| | | S/T | 0.50 | 0.58 | 0.66 | 0.76 | 0.53 | 0.62 | 0.70 | 0.80 | 0.56 | 0.66 | 0.75 | 0.85 | 0.59 | 0.70 | 0.79 | 0.90 |
| | | PI | 3.54 | 3.54 | 3.55 | 3.55 | 3.75 | 3.76 | 3.76 | 3.77 | 3.98 | 3.98 | 3.99 | 3.99 | 4.22 | 4.22 | 4.23 | 4.23 |
| | 68 | TC | 42228 | 42285 | 42333 | 42390 | 44766 | 44819 | 44872 | 44926 | 47441 | 47503 | 47565 | 47618 | 50301 | 50356 | 50419 | 50482 |
| | | S/T | 0.50 | 0.59 | 0.67 | 0.76 | 0.53 | 0.62 | 0.71 | 0.81 | 0.56 | 0.66 | 0.75 | 0.86 | 0.60 | 0.70 | 0.80 | 0.91 |
| | | PI | 3.55 | 3.56 | 3.56 | 3.56 | 3.76 | 3.77 | 3.77 | 3.78 | 3.99 | 3.99 | 4.00 | 4.00 | 4.23 | 4.23 | 4.24 | 4.25 |
| | 77 | TC | 41878 | 41935 | 41982 | 42038 | 44395 | 44448 | 44501 | 44553 | 47048 | 47109 | 47171 | 47223 | 49885 | 49939 | 50001 | 50063 |
| | | S/T | 0.51 | 0.60 | 0.69 | 0.78 | 0.54 | 0.64 | 0.73 | 0.83 | 0.58 | 0.68 | 0.77 | 0.88 | 0.61 | 0.72 | 0.82 | 0.93 |
| | | PI | 3.56 | 3.57 | 3.57 | 3.58 | 3.78 | 3.78 | 3.79 | 3.79 | 4.00 | 4.01 | 4.01 | 4.02 | 4.24 | 4.25 | 4.25 | 4.26 |
| | 86 | TC | 39174 | 39226 | 39270 | 39323 | 41528 | 41577 | 41626 | 41676 | 44010 | 44067 | 44124 | 44173 | 46663 | 46713 | 46771 | 46830 |
| | | S/T | 0.52 | 0.61 | 0.69 | 0.79 | 0.55 | 0.65 | 0.74 | 0.84 | 0.59 | 0.69 | 0.78 | 0.89 | 0.62 | 0.73 | 0.83 | 0.94 |
| | | PI | 3.91 | 3.92 | 3.92 | 3.93 | 4.15 | 4.15 | 4.16 | 4.16 | 4.40 | 4.40 | 4.41 | 4.41 | 4.66 | 4.67 | 4.67 | 4.68 |
| | 95 | TC | 38280 | 38332 | 38375 | 38426 | 40581 | 40629 | 40677 | 40725 | 43006 | 43062 | 43118 | 43166 | 45598 | 45648 | 45705 | 45762 |
| | | S/T | 0.53 | 0.63 | 0.71 | 0.81 | 0.57 | 0.66 | 0.75 | 0.86 | 0.60 | 0.70 | 0.80 | 0.91 | 0.64 | 0.75 | 0.85 | 0.97 |
| | | PI | 4.00 | 4.01 | 4.01 | 4.02 | 4.24 | 4.25 | 4.25 | 4.26 | 4.50 | 4.50 | 4.51 | 4.51 | 4.77 | 4.77 | 4.78 | 4.78 |
| | 104 | TC | 33837 | 33882 | 33920 | 33966 | 35870 | 35913 | 35955 | 35998 | 38014 | 38063 | 38113 | 38155 | 40305 | 40349 | 40399 | 40450 |
| | | S/T | 0.56 | 0.66 | 0.75 | 0.85 | 0.59 | 0.70 | 0.79 | 0.90 | 0.63 | 0.74 | 0.84 | 0.96 | 0.67 | 0.78 | 0.89 | 1.02 |
| | | PI | 8.92 | 8.93 | 8.94 | 8.96 | 9.46 | 9.47 | 9.48 | 9.49 | 10.02 | 10.04 | 10.05 | 10.06 | 10.63 | 10.64 | 10.65 | 10.67 |
| | 114.8 | TC | 28504 | 28543 | 28575 | 28613 | 30217 | 30253 | 30289 | 30325 | 32023 | 32065 | 32106 | 32142 | 33954 | 33990 | 34033 | 34075 |
| | | S/T | 0.57 | 0.67 | 0.76 | 0.86 | 0.60 | 0.71 | 0.80 | 0.91 | 0.64 | 0.75 | 0.85 | 0.97 | 0.68 | 0.79 | 0.90 | 1.03 |
| | | PI | 14.83 | 14.85 | 14.86 | 14.88 | 15.72 | 15.74 | 15.75 | 15.77 | 16.66 | 16.68 | 16.70 | 16.72 | 17.66 | 17.68 | 17.70 | 17.72 |
| | 122 | TC | 24949 | 24983 | 25011 | 25045 | 26449 | 26480 | 26512 | 26543 | 28029 | 28066 | 28102 | 28134 | 29719 | 29751 | 29788 | 29825 |
| | | S/T | 0.59 | 0.69 | 0.78 | 0.89 | 0.62 | 0.73 | 0.83 | 0.95 | 0.66 | 0.77 | 0.88 | 1.00 | 0.70 | 0.82 | 0.93 | 1.06 |
| | | PI | 18.76 | 18.79 | 18.81 | 18.83 | 19.89 | 19.91 | 19.94 | 19.96 | 21.08 | 21.11 | 21.13 | 21.16 | 22.35 | 22.37 | 22.40 | 22.43 |

DUCTED COOLING PERFORMANCE 36HH (Sheet 4 of 4)

| AIRFLOW (CFM) | OUTDOOR DB (°F) | ID WB (°F) ID DB (°F) | 60.8 | | | | 64.4 | | | | 66.2 | | | | 71.6 | | | |
|------------------|--------------------|--------------------------|-------|-------|-------|-------|-------|-------|-------|-------|-------|-------|-------|-------|-------|-------|-------|-------|
| | | | 73.4 | 77.0 | 80.6 | 84.2 | 73.4 | 77.0 | 80.6 | 84.2 | 73.4 | 77.0 | 80.0 | 84.20 | 73.4 | 77.0 | 80.6 | 84.2 |
| | | | TC | S/T | PI | TC | S/T | PI | TC | S/T | PI | TC | S/T | PI | TC | S/T | PI | TC |
| 1280 | -22 | TC | 46729 | 46792 | 46844 | 46907 | 49537 | 49596 | 49655 | 49714 | 52498 | 52566 | 52634 | 52693 | 55662 | 55723 | 55792 | 55862 |
| | | S/T | 0.48 | 0.56 | 0.64 | 0.73 | 0.51 | 0.60 | 0.68 | 0.77 | 0.54 | 0.63 | 0.72 | 0.82 | 0.57 | 0.67 | 0.76 | 0.87 |
| | | PI | 2.76 | 2.76 | 2.76 | 2.77 | 2.92 | 2.93 | 2.93 | 2.93 | 3.10 | 3.10 | 3.10 | 3.11 | 3.28 | 3.29 | 3.29 | 3.30 |
| | -10 | TC | 46132 | 46194 | 46246 | 46308 | 48904 | 48962 | 49020 | 49078 | 51827 | 51894 | 51961 | 52019 | 54951 | 55011 | 55079 | 55148 |
| | | S/T | 0.48 | 0.57 | 0.64 | 0.73 | 0.51 | 0.60 | 0.68 | 0.78 | 0.54 | 0.64 | 0.72 | 0.82 | 0.57 | 0.67 | 0.77 | 0.87 |
| | | PI | 2.93 | 2.94 | 2.94 | 2.94 | 3.11 | 3.11 | 3.12 | 3.12 | 3.29 | 3.30 | 3.30 | 3.31 | 3.49 | 3.50 | 3.50 | 3.50 |
| | 0 | TC | 45634 | 45695 | 45747 | 45808 | 48377 | 48434 | 48491 | 48549 | 51268 | 51334 | 51401 | 51458 | 54358 | 54417 | 54485 | 54553 |
| | | S/T | 0.48 | 0.57 | 0.65 | 0.74 | 0.51 | 0.60 | 0.69 | 0.78 | 0.54 | 0.64 | 0.73 | 0.83 | 0.58 | 0.68 | 0.77 | 0.88 |
| | | PI | 3.08 | 3.08 | 3.09 | 3.09 | 3.26 | 3.27 | 3.27 | 3.27 | 3.46 | 3.46 | 3.47 | 3.47 | 3.67 | 3.67 | 3.67 | 3.68 |
| | 5 | TC | 45385 | 45446 | 45497 | 45559 | 48113 | 48170 | 48227 | 48284 | 50988 | 51054 | 51121 | 51178 | 54062 | 54121 | 54188 | 54255 |
| | | S/T | 0.49 | 0.57 | 0.65 | 0.74 | 0.52 | 0.60 | 0.69 | 0.78 | 0.55 | 0.64 | 0.73 | 0.83 | 0.58 | 0.68 | 0.77 | 0.88 |
| | | PI | 3.15 | 3.15 | 3.16 | 3.16 | 3.34 | 3.34 | 3.35 | 3.35 | 3.54 | 3.54 | 3.55 | 3.55 | 3.75 | 3.76 | 3.76 | 3.77 |
| | 14 | TC | 44937 | 44998 | 45048 | 45109 | 47638 | 47695 | 47751 | 47808 | 50485 | 50550 | 50616 | 50673 | 53528 | 53587 | 53653 | 53720 |
| | | S/T | 0.49 | 0.57 | 0.65 | 0.74 | 0.52 | 0.61 | 0.69 | 0.79 | 0.55 | 0.64 | 0.73 | 0.83 | 0.58 | 0.68 | 0.78 | 0.88 |
| | | PI | 3.28 | 3.29 | 3.29 | 3.29 | 3.48 | 3.48 | 3.49 | 3.49 | 3.69 | 3.69 | 3.70 | 3.70 | 3.91 | 3.91 | 3.92 | 3.92 |
| | 17 | TC | 44788 | 44848 | 44899 | 44959 | 47480 | 47536 | 47593 | 47649 | 50317 | 50383 | 50448 | 50504 | 53350 | 53408 | 53475 | 53542 |
| | | S/T | 0.49 | 0.57 | 0.65 | 0.74 | 0.52 | 0.61 | 0.69 | 0.79 | 0.55 | 0.65 | 0.73 | 0.84 | 0.58 | 0.68 | 0.78 | 0.89 |
| | | PI | 3.33 | 3.33 | 3.33 | 3.34 | 3.53 | 3.53 | 3.53 | 3.54 | 3.74 | 3.74 | 3.75 | 3.75 | 3.96 | 3.97 | 3.97 | 3.98 |
| | 23 | TC | 44489 | 44549 | 44599 | 44659 | 47163 | 47219 | 47275 | 47331 | 49982 | 50047 | 50112 | 50168 | 52995 | 53052 | 53118 | 53185 |
| | | S/T | 0.49 | 0.58 | 0.65 | 0.75 | 0.52 | 0.61 | 0.69 | 0.79 | 0.55 | 0.65 | 0.74 | 0.84 | 0.58 | 0.69 | 0.78 | 0.89 |
| | | PI | 3.38 | 3.39 | 3.39 | 3.40 | 3.59 | 3.59 | 3.60 | 3.60 | 3.80 | 3.81 | 3.81 | 3.82 | 4.03 | 4.04 | 4.04 | 4.05 |
| | 32 | TC | 44042 | 44101 | 44150 | 44210 | 46689 | 46744 | 46799 | 46855 | 49479 | 49543 | 49607 | 49663 | 52461 | 52518 | 52584 | 52649 |
| | | S/T | 0.49 | 0.58 | 0.66 | 0.75 | 0.52 | 0.61 | 0.70 | 0.80 | 0.55 | 0.65 | 0.74 | 0.84 | 0.59 | 0.69 | 0.78 | 0.89 |
| | | PI | 3.47 | 3.48 | 3.48 | 3.48 | 3.68 | 3.68 | 3.69 | 3.69 | 3.90 | 3.90 | 3.91 | 3.91 | 4.13 | 4.14 | 4.14 | 4.15 |
| 41 | TC | 43594 | 43652 | 43701 | 43760 | 46214 | 46269 | 46323 | 46378 | 48975 | 49039 | 49103 | 49158 | 51928 | 51984 | 52049 | 52114 | |
| | S/T | 0.50 | 0.58 | 0.66 | 0.75 | 0.53 | 0.62 | 0.70 | 0.80 | 0.56 | 0.65 | 0.74 | 0.85 | 0.59 | 0.69 | 0.79 | 0.90 | |
| | PI | 3.52 | 3.53 | 3.53 | 3.54 | 3.73 | 3.74 | 3.74 | 3.75 | 3.96 | 3.96 | 3.97 | 3.97 | 4.20 | 4.20 | 4.21 | 4.21 | |
| 47 | TC | 43295 | 43353 | 43402 | 43460 | 45897 | 45952 | 46006 | 46061 | 48640 | 48703 | 48766 | 48821 | 51572 | 51628 | 51692 | 51757 | |
| | S/T | 0.50 | 0.58 | 0.66 | 0.76 | 0.53 | 0.62 | 0.70 | 0.80 | 0.56 | 0.66 | 0.74 | 0.85 | 0.59 | 0.69 | 0.79 | 0.90 | |
| | PI | 3.54 | 3.55 | 3.55 | 3.56 | 3.76 | 3.76 | 3.77 | 3.77 | 3.98 | 3.99 | 3.99 | 4.00 | 4.22 | 4.23 | 4.23 | 4.24 | |
| 50 | TC | 43178 | 43236 | 43284 | 43343 | 45773 | 45827 | 45881 | 45936 | 48508 | 48571 | 48634 | 48689 | 51432 | 51488 | 51552 | 51617 | |
| | S/T | 0.50 | 0.58 | 0.66 | 0.76 | 0.53 | 0.62 | 0.70 | 0.80 | 0.56 | 0.66 | 0.75 | 0.85 | 0.59 | 0.70 | 0.79 | 0.90 | |
| | PI | 3.55 | 3.55 | 3.56 | 3.56 | 3.76 | 3.77 | 3.77 | 3.77 | 3.99 | 3.99 | 4.00 | 4.00 | 4.23 | 4.23 | 4.24 | 4.24 | |
| 59 | TC | 42826 | 42883 | 42932 | 42989 | 45400 | 45454 | 45507 | 45561 | 48113 | 48175 | 48238 | 48292 | 51013 | 51069 | 51132 | 51196 | |
| | S/T | 0.50 | 0.59 | 0.67 | 0.76 | 0.53 | 0.62 | 0.71 | 0.81 | 0.56 | 0.66 | 0.75 | 0.86 | 0.60 | 0.70 | 0.80 | 0.91 | |
| | PI | 3.56 | 3.56 | 3.57 | 3.57 | 3.77 | 3.78 | 3.78 | 3.79 | 4.00 | 4.00 | 4.01 | 4.01 | 4.24 | 4.25 | 4.25 | 4.26 | |
| 68 | TC | 42474 | 42531 | 42579 | 42636 | 45027 | 45080 | 45133 | 45187 | 47717 | 47779 | 47841 | 47895 | 50594 | 50649 | 50712 | 50775 | |
| | S/T | 0.50 | 0.59 | 0.67 | 0.77 | 0.53 | 0.63 | 0.71 | 0.81 | 0.57 | 0.66 | 0.75 | 0.86 | 0.60 | 0.70 | 0.80 | 0.91 | |
| | PI | 3.57 | 3.58 | 3.58 | 3.59 | 3.79 | 3.79 | 3.80 | 3.80 | 4.01 | 4.02 | 4.02 | 4.03 | 4.25 | 4.26 | 4.26 | 4.27 | |
| 77 | TC | 42122 | 42179 | 42226 | 42283 | 44654 | 44706 | 44759 | 44813 | 47322 | 47383 | 47445 | 47498 | 50175 | 50229 | 50292 | 50354 | |
| | S/T | 0.52 | 0.61 | 0.69 | 0.79 | 0.55 | 0.64 | 0.73 | 0.83 | 0.58 | 0.68 | 0.77 | 0.88 | 0.62 | 0.72 | 0.82 | 0.94 | |
| | PI | 3.58 | 3.59 | 3.59 | 3.60 | 3.80 | 3.80 | 3.81 | 3.81 | 4.03 | 4.03 | 4.04 | 4.04 | 4.27 | 4.27 | 4.28 | 4.28 | |
| 86 | TC | 39401 | 39454 | 39499 | 39552 | 41769 | 41819 | 41869 | 41918 | 44265 | 44323 | 44381 | 44430 | 46934 | 46985 | 47043 | 47102 | |
| | S/T | 0.52 | 0.61 | 0.70 | 0.80 | 0.56 | 0.65 | 0.74 | 0.84 | 0.59 | 0.69 | 0.78 | 0.89 | 0.62 | 0.73 | 0.83 | 0.95 | |
| | PI | 3.94 | 3.94 | 3.94 | 3.95 | 4.17 | 4.18 | 4.18 | 4.19 | 4.42 | 4.43 | 4.43 | 4.44 | 4.69 | 4.69 | 4.70 | 4.70 | |
| 95 | TC | 38503 | 38555 | 38598 | 38650 | 40817 | 40865 | 40914 | 40962 | 43256 | 43312 | 43369 | 43417 | 45864 | 45914 | 45971 | 46028 | |
| | S/T | 0.54 | 0.63 | 0.72 | 0.82 | 0.57 | 0.67 | 0.76 | 0.87 | 0.60 | 0.71 | 0.80 | 0.92 | 0.64 | 0.75 | 0.85 | 0.97 | |
| | PI | 4.03 | 4.03 | 4.04 | 4.04 | 4.27 | 4.27 | 4.28 | 4.28 | 4.52 | 4.53 | 4.53 | 4.54 | 4.80 | 4.80 | 4.81 | 4.81 | |
| 104 | TC | 34033 | 34079 | 34117 | 34163 | 36079 | 36122 | 36164 | 36207 | 38235 | 38284 | 38334 | 38377 | 40540 | 40584 | 40634 | 40685 | |
| | S/T | 0.56 | 0.66 | 0.75 | 0.86 | 0.60 | 0.70 | 0.80 | 0.91 | 0.63 | 0.74 | 0.84 | 0.96 | 0.67 | 0.79 | 0.90 | 1.02 | |
| | PI | 8.97 | 8.99 | 9.00 | 9.01 | 9.51 | 9.52 | 9.54 | 9.55 | 10.08 | 10.10 | 10.11 | 10.12 | 10.69 | 10.70 | 10.71 | 10.73 | |
| 114.8 | TC | 28670 | 28708 | 28741 | 28779 | 30393 | 30429 | 30465 | 30501 | 32209 | 32251 | 32293 | 32329 | 34151 | 34188 | 34231 | 34273 | |
| | S/T | 0.57 | 0.67 | 0.76 | 0.87 | 0.60 | 0.71 | 0.81 | 0.92 | 0.64 | 0.75 | 0.85 | 0.97 | 0.68 | 0.80 | 0.91 | 1.03 | |
| | PI | 14.91 | 14.93 | 14.95 | 14.97 | 15.81 | 15.83 | 15.85 | 15.87 | 16.75 | 16.78 | 16.80 | 16.82 | 17.76 | 17.78 | 17.81 | 17.83 | |
| 122 | TC | 25094 | 25128 | 25156 | 25190 | 26603 | 26634 | 26666 | 26697 | 28192 | 28229 | 28266 | 28297 | 29892 | 29924 | 29962 | 29999 | |
| | S/T | 0.59 | 0.69 | 0.79 | 0.90 | 0.63 | 0.73 | 0.84 | 0.95 | 0.66 | 0.78 | 0.89 | 1.01 | 0.70 | 0.83 | 0.94 | 1.07 | |
| | PI | 18.87 | 18.90 | 18.92 | 18.94 | 20.01 | 20.03 | 20.05 | 20.08 | 21.20 | 21.23 | 21.26 | 21.28 | 22.48 | 22.50 | 22.53 | 22.56 | |

NOTE: Data highlighted in gray is extrapolated data and not actual test data. At 77°F outdoor conditions sweat protection activates causing a decrease in total capacity.

LEGEND

- TC - Total Net Capacity (Btu/hour)
- S/T: Sensible Cooling Capacity Ratio
- PI: Power Input (kW)
- Extrapolated Data

COOLING PERFORMANCE DUCTED

COOLING PERFORMANCE 48R (STANDARD)

DUCTED COOLING PERFORMANCE 48R (Sheet 1 of 4)

| AIRFLOW (CFM) | OUTDOOR DB (°F) | ID WB (°F) ID DB (°F) | 60.8 | | | | 64.4 | | | | 66.2 | | | | 71.6 | | | |
|---------------|-----------------|--------------------------|-------|-------|-------|-------|-------|-------|-------|-------|-------|-------|-------|-------|-------|-------|-------|-------|
| | | | 73.4 | 77.0 | 80.6 | 84.2 | 73.4 | 77.0 | 80.6 | 84.2 | 73.4 | 77.0 | 80.0 | 84.20 | 73.4 | 77.0 | 80.6 | 84.2 |
| | | | | | | | | | | | | | | | | | | |
| 625 | -22 | TC | 20489 | 20516 | 20540 | 20567 | 21720 | 21746 | 21772 | 21798 | 23018 | 23048 | 23078 | 23104 | 24406 | 24432 | 24463 | 24493 |
| | | S/T | 0.21 | 0.24 | 0.27 | 0.31 | 0.22 | 0.26 | 0.29 | 0.33 | 0.23 | 0.27 | 0.31 | 0.35 | 0.24 | 0.29 | 0.33 | 0.37 |
| | | PI | 1.43 | 1.43 | 1.43 | 1.43 | 1.51 | 1.51 | 1.52 | 1.52 | 1.60 | 1.60 | 1.61 | 1.61 | 1.70 | 1.70 | 1.70 | 1.70 |
| | -10 | TC | 20249 | 20276 | 20299 | 20326 | 21466 | 21491 | 21516 | 21542 | 22748 | 22778 | 22807 | 22833 | 24120 | 24146 | 24176 | 24206 |
| | | S/T | 0.21 | 0.24 | 0.28 | 0.31 | 0.22 | 0.26 | 0.29 | 0.33 | 0.23 | 0.27 | 0.31 | 0.35 | 0.25 | 0.29 | 0.33 | 0.37 |
| | | PI | 1.46 | 1.47 | 1.47 | 1.47 | 1.55 | 1.55 | 1.56 | 1.56 | 1.64 | 1.65 | 1.65 | 1.65 | 1.74 | 1.75 | 1.75 | 1.75 |
| | 0 | TC | 20048 | 20075 | 20098 | 20125 | 21253 | 21278 | 21304 | 21329 | 22523 | 22553 | 22582 | 22607 | 23881 | 23907 | 23937 | 23967 |
| | | S/T | 0.21 | 0.24 | 0.28 | 0.32 | 0.22 | 0.26 | 0.29 | 0.34 | 0.23 | 0.27 | 0.31 | 0.36 | 0.25 | 0.29 | 0.33 | 0.38 |
| | | PI | 1.50 | 1.50 | 1.50 | 1.50 | 1.59 | 1.59 | 1.59 | 1.59 | 1.68 | 1.68 | 1.68 | 1.69 | 1.78 | 1.78 | 1.79 | 1.79 |
| | 5 | TC | 19948 | 19975 | 19997 | 20024 | 21147 | 21172 | 21197 | 21222 | 22411 | 22440 | 22469 | 22494 | 23762 | 23788 | 23817 | 23847 |
| | | S/T | 0.21 | 0.25 | 0.28 | 0.32 | 0.22 | 0.26 | 0.30 | 0.34 | 0.23 | 0.28 | 0.31 | 0.36 | 0.25 | 0.29 | 0.33 | 0.38 |
| | | PI | 1.51 | 1.51 | 1.51 | 1.52 | 1.60 | 1.60 | 1.61 | 1.61 | 1.70 | 1.70 | 1.70 | 1.70 | 1.80 | 1.80 | 1.80 | 1.81 |
| | 14 | TC | 19768 | 19794 | 19817 | 19843 | 20956 | 20981 | 21006 | 21031 | 22208 | 22237 | 22266 | 22291 | 23547 | 23573 | 23602 | 23631 |
| | | S/T | 0.21 | 0.25 | 0.28 | 0.32 | 0.22 | 0.26 | 0.30 | 0.34 | 0.24 | 0.28 | 0.31 | 0.36 | 0.25 | 0.29 | 0.33 | 0.38 |
| | | PI | 1.54 | 1.54 | 1.54 | 1.55 | 1.63 | 1.63 | 1.64 | 1.64 | 1.73 | 1.73 | 1.73 | 1.74 | 1.83 | 1.84 | 1.84 | 1.84 |
| | 17 | TC | 19708 | 19734 | 19756 | 19783 | 20892 | 20917 | 20942 | 20967 | 22141 | 22170 | 22198 | 22223 | 23476 | 23501 | 23530 | 23560 |
| | | S/T | 0.21 | 0.25 | 0.28 | 0.32 | 0.22 | 0.26 | 0.30 | 0.34 | 0.24 | 0.28 | 0.32 | 0.36 | 0.25 | 0.29 | 0.33 | 0.38 |
| | | PI | 1.55 | 1.55 | 1.55 | 1.55 | 1.64 | 1.64 | 1.65 | 1.65 | 1.74 | 1.74 | 1.74 | 1.75 | 1.84 | 1.85 | 1.85 | 1.85 |
| | 23 | TC | 19628 | 19654 | 19676 | 19703 | 20807 | 20832 | 20857 | 20881 | 22051 | 22079 | 22108 | 22133 | 23380 | 23406 | 23435 | 23464 |
| | | S/T | 0.21 | 0.25 | 0.28 | 0.32 | 0.22 | 0.26 | 0.30 | 0.34 | 0.24 | 0.28 | 0.32 | 0.36 | 0.25 | 0.29 | 0.33 | 0.38 |
| | | PI | 1.56 | 1.56 | 1.57 | 1.57 | 1.66 | 1.66 | 1.66 | 1.66 | 1.75 | 1.76 | 1.76 | 1.76 | 1.86 | 1.86 | 1.86 | 1.87 |
| | 32 | TC | 19508 | 19534 | 19556 | 19582 | 20680 | 20704 | 20729 | 20754 | 21916 | 21944 | 21973 | 21997 | 23237 | 23262 | 23291 | 23320 |
| | | S/T | 0.21 | 0.25 | 0.28 | 0.32 | 0.22 | 0.26 | 0.30 | 0.34 | 0.24 | 0.28 | 0.32 | 0.36 | 0.25 | 0.30 | 0.34 | 0.38 |
| | | PI | 1.58 | 1.58 | 1.58 | 1.59 | 1.68 | 1.68 | 1.68 | 1.68 | 1.78 | 1.78 | 1.78 | 1.78 | 1.88 | 1.88 | 1.89 | 1.89 |
| 41 | TC | 19347 | 19373 | 19395 | 19421 | 20510 | 20534 | 20559 | 20583 | 21736 | 21764 | 21792 | 21817 | 23046 | 23071 | 23100 | 23129 | |
| | S/T | 0.21 | 0.25 | 0.28 | 0.32 | 0.23 | 0.26 | 0.30 | 0.34 | 0.24 | 0.28 | 0.32 | 0.36 | 0.25 | 0.30 | 0.34 | 0.39 | |
| | PI | 1.61 | 1.61 | 1.61 | 1.61 | 1.70 | 1.70 | 1.71 | 1.71 | 1.80 | 1.81 | 1.81 | 1.81 | 1.91 | 1.91 | 1.92 | 1.92 | |
| 47 | TC | 19227 | 19253 | 19275 | 19301 | 20383 | 20407 | 20431 | 20455 | 21601 | 21629 | 21657 | 21681 | 22903 | 22928 | 22956 | 22985 | |
| | S/T | 0.21 | 0.25 | 0.28 | 0.32 | 0.23 | 0.27 | 0.30 | 0.34 | 0.24 | 0.28 | 0.32 | 0.36 | 0.25 | 0.30 | 0.34 | 0.39 | |
| | PI | 1.62 | 1.63 | 1.63 | 1.63 | 1.72 | 1.72 | 1.73 | 1.73 | 1.82 | 1.83 | 1.83 | 1.83 | 1.93 | 1.94 | 1.94 | 1.94 | |
| 50 | TC | 19208 | 19234 | 19256 | 19282 | 20363 | 20387 | 20411 | 20435 | 21579 | 21607 | 21636 | 21660 | 22880 | 22905 | 22934 | 22962 | |
| | S/T | 0.21 | 0.25 | 0.29 | 0.33 | 0.23 | 0.27 | 0.30 | 0.35 | 0.24 | 0.28 | 0.32 | 0.37 | 0.26 | 0.30 | 0.34 | 0.39 | |
| | PI | 1.63 | 1.63 | 1.64 | 1.64 | 1.73 | 1.73 | 1.73 | 1.74 | 1.83 | 1.83 | 1.84 | 1.84 | 1.94 | 1.95 | 1.95 | 1.95 | |
| 59 | TC | 19151 | 19177 | 19199 | 19224 | 20302 | 20326 | 20350 | 20375 | 21515 | 21543 | 21571 | 21596 | 22813 | 22837 | 22866 | 22894 | |
| | S/T | 0.22 | 0.25 | 0.29 | 0.33 | 0.23 | 0.27 | 0.30 | 0.35 | 0.24 | 0.28 | 0.32 | 0.37 | 0.26 | 0.30 | 0.34 | 0.39 | |
| | PI | 1.65 | 1.65 | 1.66 | 1.66 | 1.75 | 1.75 | 1.76 | 1.76 | 1.86 | 1.86 | 1.86 | 1.86 | 1.97 | 1.97 | 1.97 | 1.97 | |
| 68 | TC | 19094 | 19120 | 19141 | 19167 | 20242 | 20266 | 20290 | 20314 | 21452 | 21479 | 21507 | 21531 | 22745 | 22769 | 22798 | 22826 | |
| | S/T | 0.22 | 0.25 | 0.29 | 0.33 | 0.23 | 0.27 | 0.31 | 0.35 | 0.24 | 0.29 | 0.32 | 0.37 | 0.26 | 0.30 | 0.34 | 0.39 | |
| | PI | 1.67 | 1.67 | 1.68 | 1.68 | 1.77 | 1.77 | 1.78 | 1.78 | 1.88 | 1.88 | 1.88 | 1.89 | 1.99 | 1.99 | 2.00 | 2.00 | |
| 77 | TC | 19037 | 19063 | 19084 | 19110 | 20182 | 20206 | 20229 | 20253 | 21388 | 21415 | 21443 | 21467 | 22677 | 22702 | 22730 | 22758 | |
| | S/T | 0.22 | 0.26 | 0.30 | 0.34 | 0.24 | 0.28 | 0.31 | 0.36 | 0.25 | 0.29 | 0.33 | 0.38 | 0.26 | 0.31 | 0.35 | 0.40 | |
| | PI | 1.69 | 1.70 | 1.70 | 1.70 | 1.79 | 1.79 | 1.80 | 1.80 | 1.90 | 1.90 | 1.91 | 1.91 | 2.02 | 2.02 | 2.02 | 2.02 | |
| 86 | TC | 17913 | 17937 | 17957 | 17981 | 18990 | 19012 | 19035 | 19057 | 20124 | 20150 | 20177 | 20199 | 21337 | 21361 | 21387 | 21414 | |
| | S/T | 0.22 | 0.26 | 0.30 | 0.34 | 0.24 | 0.28 | 0.32 | 0.36 | 0.25 | 0.30 | 0.34 | 0.38 | 0.27 | 0.31 | 0.36 | 0.41 | |
| | PI | 1.81 | 1.81 | 1.81 | 1.82 | 1.92 | 1.92 | 1.92 | 1.92 | 2.03 | 2.03 | 2.04 | 2.04 | 2.15 | 2.16 | 2.16 | 2.16 | |
| 95 | TC | 17610 | 17633 | 17653 | 17677 | 18668 | 18690 | 18712 | 18735 | 19784 | 19809 | 19835 | 19857 | 20976 | 20999 | 21025 | 21051 | |
| | S/T | 0.23 | 0.27 | 0.31 | 0.35 | 0.24 | 0.29 | 0.33 | 0.37 | 0.26 | 0.30 | 0.35 | 0.39 | 0.27 | 0.32 | 0.37 | 0.42 | |
| | PI | 1.85 | 1.85 | 1.86 | 1.86 | 1.96 | 1.96 | 1.97 | 1.97 | 2.08 | 2.08 | 2.08 | 2.09 | 2.20 | 2.21 | 2.21 | 2.21 | |
| 104 | TC | 15616 | 15637 | 15655 | 15676 | 16555 | 16575 | 16594 | 16614 | 17544 | 17567 | 17590 | 17609 | 18602 | 18622 | 18645 | 18668 | |
| | S/T | 0.24 | 0.28 | 0.32 | 0.37 | 0.26 | 0.30 | 0.34 | 0.39 | 0.27 | 0.32 | 0.36 | 0.41 | 0.29 | 0.34 | 0.38 | 0.44 | |
| | PI | 3.59 | 3.60 | 3.60 | 3.61 | 3.81 | 3.81 | 3.82 | 3.82 | 4.04 | 4.04 | 4.05 | 4.05 | 4.28 | 4.29 | 4.29 | 4.30 | |
| 114.8 | TC | 13224 | 13242 | 13257 | 13275 | 14019 | 14036 | 14052 | 14069 | 14857 | 14876 | 14896 | 14912 | 15753 | 15770 | 15789 | 15809 | |
| | S/T | 0.25 | 0.29 | 0.33 | 0.37 | 0.26 | 0.30 | 0.35 | 0.39 | 0.28 | 0.32 | 0.37 | 0.42 | 0.29 | 0.34 | 0.39 | 0.44 | |
| | PI | 5.69 | 5.69 | 5.70 | 5.71 | 6.03 | 6.03 | 6.04 | 6.05 | 6.39 | 6.40 | 6.40 | 6.41 | 6.77 | 6.78 | 6.79 | 6.80 | |
| 122 | TC | 11630 | 11645 | 11658 | 11674 | 12329 | 12343 | 12358 | 12373 | 13065 | 13082 | 13099 | 13114 | 13853 | 13868 | 13885 | 13903 | |
| | S/T | 0.25 | 0.30 | 0.34 | 0.39 | 0.27 | 0.32 | 0.36 | 0.41 | 0.29 | 0.33 | 0.38 | 0.43 | 0.30 | 0.35 | 0.40 | 0.46 | |
| | PI | 7.08 | 7.09 | 7.10 | 7.11 | 7.51 | 7.52 | 7.52 | 7.53 | 7.95 | 7.97 | 7.98 | 7.98 | 8.43 | 8.44 | 8.45 | 8.46 | |

DUCTED COOLING PERFORMANCE 48R (Sheet 2 of 4)

| AIRFLOW (CFM) | OUTDOOR DB (°F) | ID WB (°F) ID DB (°F) | 60.8 | | | | 64.4 | | | | 66.2 | | | | 71.6 | | | |
|------------------|--------------------|--------------------------|-------|-------|-------|-------|-------|-------|-------|-------|-------|-------|-------|-------|-------|-------|-------|-------|
| | | | 73.4 | 77.0 | 80.6 | 84.2 | 73.4 | 77.0 | 80.6 | 84.2 | 73.4 | 77.0 | 80.0 | 84.20 | 73.4 | 77.0 | 80.6 | 84.2 |
| | | | TC | S/T | PI | TC | S/T | PI | TC | S/T | PI | TC | S/T | PI | TC | S/T | PI | TC |
| 1025 | -22 | TC | 33269 | 33314 | 33351 | 33396 | 35269 | 35310 | 35352 | 35394 | 37376 | 37425 | 37473 | 37515 | 39629 | 39673 | 39722 | 39771 |
| | | S/T | 0.31 | 0.37 | 0.42 | 0.48 | 0.33 | 0.39 | 0.44 | 0.50 | 0.35 | 0.41 | 0.47 | 0.53 | 0.37 | 0.44 | 0.50 | 0.57 |
| | | PI | 2.16 | 2.16 | 2.16 | 2.17 | 2.29 | 2.29 | 2.29 | 2.30 | 2.43 | 2.43 | 2.43 | 2.43 | 2.57 | 2.57 | 2.58 | 2.58 |
| | -10 | TC | 32879 | 32923 | 32960 | 33004 | 34855 | 34896 | 34938 | 34979 | 36938 | 36986 | 37034 | 37075 | 39165 | 39207 | 39256 | 39305 |
| | | S/T | 0.32 | 0.37 | 0.42 | 0.48 | 0.33 | 0.39 | 0.45 | 0.51 | 0.35 | 0.42 | 0.47 | 0.54 | 0.38 | 0.44 | 0.50 | 0.57 |
| | | PI | 2.22 | 2.22 | 2.22 | 2.22 | 2.35 | 2.35 | 2.35 | 2.36 | 2.49 | 2.49 | 2.50 | 2.50 | 2.64 | 2.64 | 2.65 | 2.65 |
| | 0 | TC | 32554 | 32597 | 32634 | 32678 | 34510 | 34551 | 34592 | 34633 | 36572 | 36620 | 36668 | 36709 | 38777 | 38819 | 38868 | 38916 |
| | | S/T | 0.32 | 0.37 | 0.42 | 0.48 | 0.34 | 0.39 | 0.45 | 0.51 | 0.36 | 0.42 | 0.47 | 0.54 | 0.38 | 0.44 | 0.50 | 0.57 |
| | | PI | 2.26 | 2.27 | 2.27 | 2.27 | 2.40 | 2.40 | 2.41 | 2.41 | 2.54 | 2.55 | 2.55 | 2.55 | 2.70 | 2.70 | 2.70 | 2.71 |
| | 5 | TC | 32391 | 32435 | 32471 | 32515 | 34338 | 34379 | 34419 | 34460 | 36390 | 36437 | 36484 | 36525 | 38584 | 38625 | 38674 | 38722 |
| | | S/T | 0.32 | 0.37 | 0.42 | 0.48 | 0.34 | 0.40 | 0.45 | 0.51 | 0.36 | 0.42 | 0.48 | 0.54 | 0.38 | 0.44 | 0.50 | 0.58 |
| | | PI | 2.29 | 2.29 | 2.29 | 2.30 | 2.43 | 2.43 | 2.43 | 2.43 | 2.57 | 2.57 | 2.58 | 2.58 | 2.72 | 2.72 | 2.73 | 2.73 |
| | 14 | TC | 32098 | 32142 | 32178 | 32221 | 34028 | 34068 | 34108 | 34149 | 36061 | 36108 | 36155 | 36195 | 38235 | 38276 | 38324 | 38372 |
| | | S/T | 0.32 | 0.37 | 0.43 | 0.49 | 0.34 | 0.40 | 0.45 | 0.51 | 0.36 | 0.42 | 0.48 | 0.55 | 0.38 | 0.45 | 0.51 | 0.58 |
| | | PI | 2.33 | 2.33 | 2.34 | 2.34 | 2.47 | 2.47 | 2.48 | 2.48 | 2.62 | 2.62 | 2.62 | 2.63 | 2.78 | 2.78 | 2.78 | 2.79 |
| | 17 | TC | 32001 | 32044 | 32080 | 32123 | 33924 | 33964 | 34005 | 34045 | 35951 | 35998 | 36045 | 36085 | 38119 | 38160 | 38208 | 38255 |
| | | S/T | 0.32 | 0.38 | 0.43 | 0.49 | 0.34 | 0.40 | 0.45 | 0.52 | 0.36 | 0.42 | 0.48 | 0.55 | 0.38 | 0.45 | 0.51 | 0.58 |
| | | PI | 2.34 | 2.35 | 2.35 | 2.35 | 2.49 | 2.49 | 2.49 | 2.49 | 2.63 | 2.64 | 2.64 | 2.64 | 2.79 | 2.80 | 2.80 | 2.80 |
| | 23 | TC | 31871 | 31914 | 31949 | 31992 | 33786 | 33826 | 33866 | 33907 | 35805 | 35852 | 35898 | 35938 | 37964 | 38005 | 38052 | 38100 |
| | | S/T | 0.32 | 0.38 | 0.43 | 0.49 | 0.34 | 0.40 | 0.45 | 0.52 | 0.36 | 0.42 | 0.48 | 0.55 | 0.38 | 0.45 | 0.51 | 0.58 |
| | | PI | 2.36 | 2.37 | 2.37 | 2.37 | 2.51 | 2.51 | 2.51 | 2.51 | 2.66 | 2.66 | 2.66 | 2.67 | 2.82 | 2.82 | 2.82 | 2.83 |
| | 32 | TC | 31676 | 31718 | 31754 | 31797 | 33579 | 33619 | 33659 | 33699 | 35586 | 35632 | 35679 | 35718 | 37731 | 37772 | 37819 | 37866 |
| | | S/T | 0.32 | 0.38 | 0.43 | 0.49 | 0.34 | 0.40 | 0.46 | 0.52 | 0.36 | 0.43 | 0.48 | 0.55 | 0.38 | 0.45 | 0.51 | 0.58 |
| | | PI | 2.39 | 2.40 | 2.40 | 2.40 | 2.54 | 2.54 | 2.54 | 2.55 | 2.69 | 2.69 | 2.69 | 2.70 | 2.85 | 2.85 | 2.86 | 2.86 |
| | 41 | TC | 31415 | 31458 | 31493 | 31535 | 33304 | 33343 | 33383 | 33422 | 35294 | 35340 | 35386 | 35425 | 37421 | 37462 | 37509 | 37555 |
| | | S/T | 0.32 | 0.38 | 0.43 | 0.49 | 0.34 | 0.40 | 0.46 | 0.52 | 0.36 | 0.43 | 0.49 | 0.55 | 0.39 | 0.45 | 0.51 | 0.59 |
| | | PI | 2.43 | 2.43 | 2.44 | 2.44 | 2.58 | 2.58 | 2.58 | 2.59 | 2.73 | 2.73 | 2.74 | 2.74 | 2.90 | 2.90 | 2.90 | 2.91 |
| | 47 | TC | 31220 | 31262 | 31297 | 31340 | 33097 | 33136 | 33175 | 33215 | 35075 | 35120 | 35166 | 35205 | 37189 | 37229 | 37276 | 37322 |
| | | S/T | 0.32 | 0.38 | 0.43 | 0.49 | 0.34 | 0.40 | 0.46 | 0.52 | 0.36 | 0.43 | 0.49 | 0.55 | 0.39 | 0.45 | 0.52 | 0.59 |
| | | PI | 2.46 | 2.46 | 2.47 | 2.47 | 2.61 | 2.61 | 2.61 | 2.62 | 2.76 | 2.77 | 2.77 | 2.77 | 2.93 | 2.93 | 2.94 | 2.94 |
| | 50 | TC | 31190 | 31231 | 31266 | 31309 | 33064 | 33103 | 33142 | 33182 | 35040 | 35085 | 35131 | 35170 | 37152 | 37193 | 37239 | 37285 |
| | | S/T | 0.33 | 0.38 | 0.43 | 0.50 | 0.35 | 0.41 | 0.46 | 0.52 | 0.37 | 0.43 | 0.49 | 0.56 | 0.39 | 0.46 | 0.52 | 0.59 |
| | | PI | 2.47 | 2.47 | 2.48 | 2.48 | 2.62 | 2.62 | 2.62 | 2.63 | 2.77 | 2.78 | 2.78 | 2.78 | 2.94 | 2.94 | 2.95 | 2.95 |
| | 59 | TC | 31097 | 31139 | 31174 | 31216 | 32966 | 33005 | 33044 | 33083 | 34936 | 34981 | 35027 | 35066 | 37042 | 37082 | 37129 | 37175 |
| | | S/T | 0.33 | 0.38 | 0.44 | 0.50 | 0.35 | 0.41 | 0.46 | 0.53 | 0.37 | 0.43 | 0.49 | 0.56 | 0.39 | 0.46 | 0.52 | 0.59 |
| | | PI | 2.50 | 2.50 | 2.51 | 2.51 | 2.65 | 2.65 | 2.66 | 2.66 | 2.81 | 2.81 | 2.82 | 2.82 | 2.98 | 2.98 | 2.99 | 2.99 |
| | 68 | TC | 31005 | 31046 | 31081 | 31123 | 32868 | 32907 | 32946 | 32985 | 34832 | 34877 | 34923 | 34962 | 36932 | 36972 | 37018 | 37064 |
| | | S/T | 0.33 | 0.39 | 0.44 | 0.50 | 0.35 | 0.41 | 0.47 | 0.53 | 0.37 | 0.43 | 0.49 | 0.56 | 0.39 | 0.46 | 0.52 | 0.60 |
| | | PI | 2.53 | 2.54 | 2.54 | 2.54 | 2.68 | 2.69 | 2.69 | 2.69 | 2.84 | 2.85 | 2.85 | 2.85 | 3.02 | 3.02 | 3.02 | 3.03 |
| | 77 | TC | 30912 | 30954 | 30989 | 31030 | 32770 | 32809 | 32848 | 32887 | 34728 | 34773 | 34819 | 34858 | 36822 | 36862 | 36908 | 36954 |
| | | S/T | 0.34 | 0.40 | 0.45 | 0.51 | 0.36 | 0.42 | 0.48 | 0.54 | 0.38 | 0.45 | 0.51 | 0.58 | 0.40 | 0.47 | 0.54 | 0.61 |
| | | PI | 2.56 | 2.57 | 2.57 | 2.57 | 2.72 | 2.72 | 2.72 | 2.73 | 2.88 | 2.88 | 2.89 | 2.89 | 3.05 | 3.06 | 3.06 | 3.06 |
| | 86 | TC | 29086 | 29125 | 29158 | 29197 | 30835 | 30871 | 30908 | 30944 | 32677 | 32720 | 32762 | 32799 | 34647 | 34685 | 34728 | 34771 |
| | | S/T | 0.34 | 0.40 | 0.46 | 0.52 | 0.36 | 0.43 | 0.48 | 0.55 | 0.38 | 0.45 | 0.51 | 0.58 | 0.41 | 0.48 | 0.54 | 0.62 |
| | | PI | 2.74 | 2.74 | 2.74 | 2.75 | 2.90 | 2.91 | 2.91 | 2.91 | 3.08 | 3.08 | 3.08 | 3.09 | 3.26 | 3.26 | 3.27 | 3.27 |
| | 95 | TC | 28594 | 28632 | 28664 | 28703 | 30312 | 30348 | 30384 | 30420 | 32124 | 32166 | 32207 | 32243 | 34060 | 34097 | 34140 | 34182 |
| | | S/T | 0.35 | 0.41 | 0.47 | 0.53 | 0.37 | 0.44 | 0.50 | 0.57 | 0.39 | 0.46 | 0.53 | 0.60 | 0.42 | 0.49 | 0.56 | 0.64 |
| | | PI | 2.80 | 2.81 | 2.81 | 2.81 | 2.97 | 2.97 | 2.98 | 2.98 | 3.15 | 3.15 | 3.16 | 3.16 | 3.34 | 3.34 | 3.35 | 3.35 |
| 104 | TC | 25357 | 25391 | 25420 | 25454 | 26881 | 26913 | 26945 | 26977 | 28488 | 28525 | 28562 | 28594 | 30205 | 30238 | 30275 | 30313 | |
| | S/T | 0.37 | 0.43 | 0.49 | 0.56 | 0.39 | 0.46 | 0.52 | 0.59 | 0.41 | 0.49 | 0.55 | 0.63 | 0.44 | 0.52 | 0.59 | 0.67 | |
| | PI | 5.44 | 5.45 | 5.45 | 5.46 | 5.77 | 5.78 | 5.78 | 5.79 | 6.11 | 6.12 | 6.13 | 6.14 | 6.48 | 6.49 | 6.50 | 6.50 | |
| 114.8 | TC | 21473 | 21502 | 21526 | 21555 | 22764 | 22791 | 22818 | 22845 | 24124 | 24155 | 24187 | 24214 | 25578 | 25606 | 25638 | 25670 | |
| | S/T | 0.37 | 0.44 | 0.50 | 0.57 | 0.40 | 0.46 | 0.53 | 0.60 | 0.42 | 0.49 | 0.56 | 0.64 | 0.44 | 0.52 | 0.59 | 0.68 | |
| | PI | 8.61 | 8.62 | 8.63 | 8.64 | 9.13 | 9.14 | 9.15 | 9.16 | 9.67 | 9.68 | 9.70 | 9.71 | 10.25 | 10.26 | 10.28 | 10.29 | |
| 122 | TC | 18884 | 18909 | 18931 | 18956 | 20019 | 20043 | 20066 | 20090 | 21215 | 21243 | 21270 | 21294 | 22494 | 22519 | 22547 | 22575 | |
| | S/T | 0.39 | 0.45 | 0.51 | 0.59 | 0.41 | 0.48 | 0.55 | 0.62 | 0.43 | 0.51 | 0.58 | 0.66 | 0.46 | 0.54 | 0.61 | 0.70 | |
| | PI | 10.72 | 10.73 | 10.75 | 10.76 | 11.36 | 11.38 | 11.39 | 11.40 | 12.04 | 12.06 | 12.07 | 12.09 | 12.77 | 12.78 | 12.80 | 12.81 | |

DUCTED COOLING PERFORMANCE 48R (Sheet 3 of 4)

| AIRFLOW (CFM) | OUTDOOR DB (°F) | ID WB (°F) ID DB (°F) | 60.8 | | | | 64.4 | | | | 66.2 | | | | 71.6 | | | |
|------------------|--------------------|--------------------------|-------|-------|-------|-------|-------|-------|-------|-------|-------|-------|-------|-------|-------|-------|-------|-------|
| | | | 73.4 | 77.0 | 80.6 | 84.2 | 73.4 | 77.0 | 80.6 | 84.2 | 73.4 | 77.0 | 80.0 | 84.20 | 73.4 | 77.0 | 80.6 | 84.2 |
| | | | TC | S/T | PI | TC | S/T | PI | TC | S/T | PI | TC | S/T | PI | TC | S/T | PI | TC |
| 1575 | -22 | TC | 50615 | 50683 | 50740 | 50808 | 53657 | 53720 | 53784 | 53848 | 56863 | 56937 | 57011 | 57075 | 60291 | 60357 | 60432 | 60507 |
| | | S/T | 0.48 | 0.56 | 0.63 | 0.72 | 0.50 | 0.59 | 0.67 | 0.77 | 0.53 | 0.63 | 0.71 | 0.81 | 0.57 | 0.67 | 0.76 | 0.86 |
| | | PI | 3.28 | 3.29 | 3.29 | 3.30 | 3.48 | 3.49 | 3.49 | 3.49 | 3.69 | 3.69 | 3.70 | 3.70 | 3.91 | 3.92 | 3.92 | 3.92 |
| | -10 | TC | 50021 | 50088 | 50144 | 50212 | 53027 | 53090 | 53153 | 53216 | 56196 | 56269 | 56342 | 56405 | 59584 | 59649 | 59723 | 59797 |
| | | S/T | 0.48 | 0.56 | 0.64 | 0.73 | 0.51 | 0.60 | 0.68 | 0.77 | 0.54 | 0.63 | 0.72 | 0.82 | 0.57 | 0.67 | 0.76 | 0.87 |
| | | PI | 3.37 | 3.38 | 3.38 | 3.38 | 3.57 | 3.58 | 3.58 | 3.59 | 3.79 | 3.79 | 3.80 | 3.80 | 4.02 | 4.02 | 4.03 | 4.03 |
| | 0 | TC | 49526 | 49593 | 49649 | 49715 | 52503 | 52565 | 52627 | 52690 | 55640 | 55713 | 55785 | 55847 | 58995 | 59059 | 59132 | 59206 |
| | | S/T | 0.48 | 0.57 | 0.64 | 0.73 | 0.51 | 0.60 | 0.68 | 0.78 | 0.54 | 0.64 | 0.72 | 0.82 | 0.57 | 0.67 | 0.77 | 0.87 |
| | | PI | 3.44 | 3.45 | 3.45 | 3.46 | 3.65 | 3.66 | 3.66 | 3.66 | 3.87 | 3.87 | 3.88 | 3.88 | 4.10 | 4.11 | 4.11 | 4.12 |
| | 5 | TC | 49279 | 49345 | 49401 | 49467 | 52241 | 52303 | 52365 | 52427 | 55362 | 55434 | 55506 | 55568 | 58700 | 58764 | 58837 | 58910 |
| | | S/T | 0.48 | 0.57 | 0.64 | 0.73 | 0.51 | 0.60 | 0.68 | 0.78 | 0.54 | 0.64 | 0.72 | 0.83 | 0.58 | 0.68 | 0.77 | 0.88 |
| | | PI | 3.48 | 3.48 | 3.49 | 3.49 | 3.69 | 3.69 | 3.70 | 3.70 | 3.91 | 3.91 | 3.92 | 3.92 | 4.15 | 4.15 | 4.16 | 4.16 |
| | 14 | TC | 48834 | 48899 | 48954 | 49020 | 51769 | 51830 | 51891 | 51953 | 54862 | 54933 | 55005 | 55066 | 58169 | 58233 | 58305 | 58378 |
| | | S/T | 0.49 | 0.57 | 0.65 | 0.74 | 0.51 | 0.60 | 0.69 | 0.78 | 0.55 | 0.64 | 0.73 | 0.83 | 0.58 | 0.68 | 0.77 | 0.88 |
| | | PI | 3.55 | 3.55 | 3.55 | 3.56 | 3.76 | 3.76 | 3.77 | 3.77 | 3.98 | 3.99 | 3.99 | 4.00 | 4.22 | 4.23 | 4.23 | 4.24 |
| | 17 | TC | 48685 | 48751 | 48805 | 48871 | 51611 | 51672 | 51734 | 51795 | 54695 | 54766 | 54838 | 54899 | 57993 | 58056 | 58128 | 58200 |
| | | S/T | 0.49 | 0.57 | 0.65 | 0.74 | 0.52 | 0.61 | 0.69 | 0.78 | 0.55 | 0.64 | 0.73 | 0.83 | 0.58 | 0.68 | 0.77 | 0.88 |
| | | PI | 3.57 | 3.57 | 3.58 | 3.58 | 3.78 | 3.79 | 3.79 | 3.80 | 4.01 | 4.01 | 4.02 | 4.02 | 4.25 | 4.25 | 4.26 | 4.26 |
| | 23 | TC | 48487 | 48552 | 48607 | 48672 | 51401 | 51462 | 51523 | 51585 | 54473 | 54544 | 54615 | 54676 | 57757 | 57820 | 57892 | 57964 |
| | | S/T | 0.49 | 0.57 | 0.65 | 0.74 | 0.52 | 0.61 | 0.69 | 0.79 | 0.55 | 0.64 | 0.73 | 0.83 | 0.58 | 0.68 | 0.78 | 0.88 |
| | | PI | 3.60 | 3.60 | 3.61 | 3.61 | 3.81 | 3.82 | 3.82 | 3.83 | 4.04 | 4.05 | 4.05 | 4.06 | 4.28 | 4.29 | 4.29 | 4.30 |
| | 32 | TC | 48190 | 48255 | 48309 | 48374 | 51087 | 51147 | 51208 | 51269 | 54140 | 54210 | 54280 | 54341 | 57403 | 57466 | 57537 | 57609 |
| | | S/T | 0.49 | 0.58 | 0.65 | 0.75 | 0.52 | 0.61 | 0.69 | 0.79 | 0.55 | 0.65 | 0.74 | 0.84 | 0.58 | 0.69 | 0.78 | 0.89 |
| | | PI | 3.64 | 3.64 | 3.65 | 3.65 | 3.86 | 3.86 | 3.87 | 3.87 | 4.09 | 4.09 | 4.10 | 4.10 | 4.34 | 4.34 | 4.35 | 4.35 |
| | 41 | TC | 47795 | 47859 | 47913 | 47977 | 50667 | 50727 | 50787 | 50848 | 53695 | 53765 | 53835 | 53895 | 56932 | 56994 | 57065 | 57136 |
| | | S/T | 0.49 | 0.58 | 0.66 | 0.75 | 0.52 | 0.61 | 0.70 | 0.79 | 0.55 | 0.65 | 0.74 | 0.84 | 0.59 | 0.69 | 0.78 | 0.89 |
| | | PI | 3.70 | 3.70 | 3.71 | 3.71 | 3.92 | 3.92 | 3.93 | 3.93 | 4.15 | 4.16 | 4.17 | 4.17 | 4.40 | 4.41 | 4.41 | 4.42 |
| | 47 | TC | 47498 | 47562 | 47615 | 47679 | 50352 | 50412 | 50472 | 50532 | 53361 | 53431 | 53500 | 53560 | 56578 | 56640 | 56710 | 56781 |
| | | S/T | 0.49 | 0.58 | 0.66 | 0.75 | 0.52 | 0.61 | 0.70 | 0.80 | 0.56 | 0.65 | 0.74 | 0.84 | 0.59 | 0.69 | 0.78 | 0.89 |
| | | PI | 3.74 | 3.75 | 3.75 | 3.76 | 3.97 | 3.97 | 3.98 | 3.98 | 4.20 | 4.21 | 4.21 | 4.22 | 4.46 | 4.46 | 4.47 | 4.47 |
| | 50 | TC | 47451 | 47515 | 47568 | 47632 | 50303 | 50362 | 50422 | 50482 | 53309 | 53378 | 53447 | 53507 | 56522 | 56584 | 56654 | 56725 |
| | | S/T | 0.50 | 0.58 | 0.66 | 0.75 | 0.53 | 0.62 | 0.70 | 0.80 | 0.56 | 0.65 | 0.74 | 0.85 | 0.59 | 0.69 | 0.79 | 0.90 |
| | | PI | 3.76 | 3.76 | 3.77 | 3.77 | 3.98 | 3.99 | 3.99 | 4.00 | 4.22 | 4.23 | 4.23 | 4.24 | 4.48 | 4.48 | 4.49 | 4.49 |
| | 59 | TC | 47310 | 47374 | 47427 | 47491 | 50154 | 50213 | 50273 | 50332 | 53151 | 53220 | 53289 | 53348 | 56355 | 56416 | 56486 | 56557 |
| | | S/T | 0.50 | 0.58 | 0.66 | 0.76 | 0.53 | 0.62 | 0.70 | 0.80 | 0.56 | 0.66 | 0.75 | 0.85 | 0.59 | 0.70 | 0.79 | 0.90 |
| | | PI | 3.80 | 3.81 | 3.81 | 3.82 | 4.03 | 4.04 | 4.04 | 4.05 | 4.27 | 4.28 | 4.29 | 4.29 | 4.53 | 4.54 | 4.54 | 4.55 |
| | 68 | TC | 47170 | 47233 | 47286 | 47350 | 50005 | 50064 | 50123 | 50183 | 52993 | 53062 | 53131 | 53190 | 56187 | 56248 | 56318 | 56389 |
| | | S/T | 0.50 | 0.59 | 0.67 | 0.76 | 0.53 | 0.62 | 0.71 | 0.81 | 0.56 | 0.66 | 0.75 | 0.86 | 0.60 | 0.70 | 0.80 | 0.91 |
| | | PI | 3.85 | 3.86 | 3.86 | 3.87 | 4.08 | 4.09 | 4.09 | 4.10 | 4.33 | 4.33 | 4.34 | 4.34 | 4.59 | 4.59 | 4.60 | 4.60 |
| | 77 | TC | 47029 | 47092 | 47145 | 47209 | 49856 | 49915 | 49974 | 50033 | 52835 | 52903 | 52972 | 53031 | 56020 | 56081 | 56151 | 56220 |
| | | S/T | 0.51 | 0.60 | 0.69 | 0.78 | 0.54 | 0.64 | 0.73 | 0.83 | 0.58 | 0.68 | 0.77 | 0.88 | 0.61 | 0.72 | 0.82 | 0.93 |
| | | PI | 3.90 | 3.90 | 3.91 | 3.91 | 4.13 | 4.14 | 4.14 | 4.15 | 4.38 | 4.39 | 4.39 | 4.40 | 4.64 | 4.65 | 4.66 | 4.66 |
| | 86 | TC | 44251 | 44311 | 44360 | 44420 | 46911 | 46966 | 47022 | 47078 | 49714 | 49779 | 49843 | 49899 | 52711 | 52768 | 52834 | 52900 |
| | | S/T | 0.52 | 0.61 | 0.69 | 0.79 | 0.55 | 0.65 | 0.74 | 0.84 | 0.59 | 0.69 | 0.78 | 0.89 | 0.62 | 0.73 | 0.83 | 0.94 |
| | | PI | 4.17 | 4.17 | 4.18 | 4.18 | 4.42 | 4.42 | 4.43 | 4.43 | 4.68 | 4.69 | 4.69 | 4.70 | 4.96 | 4.97 | 4.97 | 4.98 |
| | 95 | TC | 43502 | 43560 | 43609 | 43668 | 46117 | 46171 | 46226 | 46281 | 48872 | 48936 | 48999 | 49054 | 51819 | 51875 | 51939 | 52004 |
| | | S/T | 0.53 | 0.63 | 0.71 | 0.81 | 0.57 | 0.66 | 0.75 | 0.86 | 0.60 | 0.70 | 0.80 | 0.91 | 0.64 | 0.75 | 0.85 | 0.97 |
| | | PI | 4.26 | 4.27 | 4.27 | 4.28 | 4.52 | 4.52 | 4.53 | 4.54 | 4.79 | 4.80 | 4.80 | 4.81 | 5.08 | 5.08 | 5.09 | 5.10 |
| | 104 | TC | 38578 | 38630 | 38673 | 38725 | 40896 | 40945 | 40993 | 41042 | 43340 | 43397 | 43453 | 43501 | 45953 | 46003 | 46060 | 46118 |
| | | S/T | 0.56 | 0.66 | 0.75 | 0.85 | 0.59 | 0.70 | 0.79 | 0.90 | 0.63 | 0.74 | 0.84 | 0.96 | 0.67 | 0.78 | 0.89 | 1.02 |
| | | PI | 8.28 | 8.29 | 8.30 | 8.31 | 8.78 | 8.79 | 8.80 | 8.81 | 9.30 | 9.31 | 9.32 | 9.33 | 9.86 | 9.87 | 9.88 | 9.90 |
| | 114.8 | TC | 32669 | 32713 | 32749 | 32794 | 34632 | 34673 | 34714 | 34756 | 36702 | 36749 | 36797 | 36838 | 38914 | 38957 | 39005 | 39054 |
| | | S/T | 0.57 | 0.67 | 0.76 | 0.86 | 0.60 | 0.71 | 0.80 | 0.91 | 0.64 | 0.75 | 0.85 | 0.97 | 0.68 | 0.79 | 0.90 | 1.03 |
| | | PI | 13.10 | 13.11 | 13.13 | 13.15 | 13.88 | 13.90 | 13.92 | 13.93 | 14.71 | 14.73 | 14.75 | 14.77 | 15.60 | 15.62 | 15.64 | 15.66 |
| | 122 | TC | 28729 | 28768 | 28800 | 28839 | 30456 | 30492 | 30528 | 30565 | 32276 | 32318 | 32360 | 32396 | 34222 | 34259 | 34302 | 34344 |
| | | S/T | 0.59 | 0.69 | 0.78 | 0.89 | 0.62 | 0.73 | 0.83 | 0.95 | 0.66 | 0.77 | 0.88 | 1.00 | 0.70 | 0.82 | 0.93 | 1.06 |
| | | PI | 16.31 | 16.33 | 16.35 | 16.37 | 17.29 | 17.31 | 17.33 | 17.35 | 18.32 | 18.34 | 18.37 | 18.39 | 19.43 | 19.45 | 19.47 | 19.49 |

Manufacturer reserves the right to change, at any time, specifications and designs without notice and without obligations.

DUCTED COOLING PERFORMANCE 48R (Sheet 4 of 4)

| AIRFLOW (CFM) | OUTDOOR DB (°F) | ID WB (°F) ID DB (°F) | 60.8 | | | | 64.4 | | | | 66.2 | | | | 71.6 | | | |
|------------------|--------------------|--------------------------|------|-------|-------|-------|-------|-------|-------|-------|-------|-------|-------|-------|-------|-------|-------|-------|
| | | | 73.4 | 77.0 | 80.6 | 84.2 | 73.4 | 77.0 | 80.6 | 84.2 | 73.4 | 77.0 | 80.0 | 84.20 | 73.4 | 77.0 | 80.6 | 84.2 |
| | | | 1600 | -22 | TC | 50909 | 50978 | 51035 | 51104 | 53969 | 54033 | 54097 | 54161 | 57194 | 57268 | 57343 | 57407 | 60642 |
| S/T | 0.48 | 0.56 | | | 0.64 | 0.73 | 0.51 | 0.60 | 0.68 | 0.77 | 0.54 | 0.63 | 0.72 | 0.82 | 0.57 | 0.67 | 0.76 | 0.87 |
| PI | 3.30 | 3.31 | | | 3.31 | 3.32 | 3.50 | 3.51 | 3.51 | 3.51 | 3.71 | 3.72 | 3.72 | 3.73 | 3.94 | 3.94 | 3.94 | 3.95 |
| -10 | TC | 50312 | | 50380 | 50436 | 50504 | 53336 | 53399 | 53462 | 53526 | 56523 | 56596 | 56670 | 56733 | 59930 | 59996 | 60070 | 60145 |
| | S/T | 0.48 | | 0.57 | 0.64 | 0.73 | 0.51 | 0.60 | 0.68 | 0.78 | 0.54 | 0.64 | 0.72 | 0.82 | 0.57 | 0.67 | 0.77 | 0.87 |
| | PI | 3.39 | | 3.40 | 3.40 | 3.40 | 3.59 | 3.60 | 3.60 | 3.61 | 3.81 | 3.81 | 3.82 | 3.82 | 4.04 | 4.04 | 4.05 | 4.05 |
| 0 | TC | 49814 | | 49881 | 49937 | 50005 | 52808 | 52871 | 52933 | 52996 | 55964 | 56037 | 56109 | 56172 | 59338 | 59402 | 59476 | 59550 |
| | S/T | 0.48 | | 0.57 | 0.65 | 0.74 | 0.51 | 0.60 | 0.69 | 0.78 | 0.54 | 0.64 | 0.73 | 0.83 | 0.58 | 0.68 | 0.77 | 0.88 |
| | PI | 3.46 | | 3.47 | 3.47 | 3.48 | 3.67 | 3.68 | 3.68 | 3.69 | 3.89 | 3.90 | 3.90 | 3.91 | 4.13 | 4.13 | 4.14 | 4.14 |
| 5 | TC | 49565 | | 49632 | 49688 | 49755 | 52544 | 52607 | 52669 | 52732 | 55684 | 55757 | 55829 | 55891 | 59041 | 59105 | 59179 | 59253 |
| | S/T | 0.49 | | 0.57 | 0.65 | 0.74 | 0.52 | 0.60 | 0.69 | 0.78 | 0.55 | 0.64 | 0.73 | 0.83 | 0.58 | 0.68 | 0.77 | 0.88 |
| | PI | 3.50 | | 3.51 | 3.51 | 3.51 | 3.71 | 3.72 | 3.72 | 3.72 | 3.93 | 3.94 | 3.94 | 3.95 | 4.17 | 4.17 | 4.18 | 4.18 |
| 14 | TC | 49118 | | 49184 | 49239 | 49305 | 52070 | 52131 | 52193 | 52255 | 55181 | 55253 | 55325 | 55386 | 58508 | 58571 | 58644 | 58717 |
| | S/T | 0.49 | | 0.57 | 0.65 | 0.74 | 0.52 | 0.61 | 0.69 | 0.79 | 0.55 | 0.64 | 0.73 | 0.83 | 0.58 | 0.68 | 0.78 | 0.88 |
| | PI | 3.57 | | 3.57 | 3.57 | 3.58 | 3.78 | 3.78 | 3.79 | 3.79 | 4.01 | 4.01 | 4.02 | 4.02 | 4.25 | 4.25 | 4.26 | 4.26 |
| 17 | TC | 48968 | | 49034 | 49089 | 49155 | 51911 | 51973 | 52034 | 52096 | 55013 | 55085 | 55157 | 55218 | 58330 | 58393 | 58466 | 58539 |
| | S/T | 0.49 | | 0.57 | 0.65 | 0.74 | 0.52 | 0.61 | 0.69 | 0.79 | 0.55 | 0.65 | 0.73 | 0.84 | 0.58 | 0.68 | 0.78 | 0.89 |
| | PI | 3.59 | | 3.59 | 3.60 | 3.60 | 3.80 | 3.81 | 3.81 | 3.82 | 4.03 | 4.04 | 4.04 | 4.05 | 4.27 | 4.28 | 4.28 | 4.29 |
| 23 | TC | 48769 | | 48835 | 48890 | 48955 | 51700 | 51762 | 51823 | 51884 | 54790 | 54861 | 54932 | 54994 | 58093 | 58156 | 58228 | 58301 |
| | S/T | 0.49 | | 0.58 | 0.65 | 0.75 | 0.52 | 0.61 | 0.69 | 0.79 | 0.55 | 0.65 | 0.74 | 0.84 | 0.58 | 0.69 | 0.78 | 0.89 |
| | PI | 3.62 | | 3.62 | 3.63 | 3.63 | 3.83 | 3.84 | 3.84 | 3.85 | 4.06 | 4.07 | 4.07 | 4.08 | 4.31 | 4.31 | 4.32 | 4.32 |
| 32 | TC | 48471 | | 48536 | 48590 | 48656 | 51384 | 51445 | 51506 | 51567 | 54454 | 54525 | 54596 | 54657 | 57737 | 57800 | 57872 | 57944 |
| | S/T | 0.49 | | 0.58 | 0.66 | 0.75 | 0.52 | 0.61 | 0.70 | 0.80 | 0.55 | 0.65 | 0.74 | 0.84 | 0.59 | 0.69 | 0.78 | 0.89 |
| | PI | 3.66 | | 3.67 | 3.67 | 3.67 | 3.88 | 3.89 | 3.89 | 3.89 | 4.11 | 4.12 | 4.12 | 4.13 | 4.36 | 4.37 | 4.37 | 4.38 |
| 41 | TC | 48072 | | 48137 | 48191 | 48256 | 50962 | 51022 | 51083 | 51143 | 54007 | 54077 | 54148 | 54208 | 57263 | 57325 | 57396 | 57468 |
| | S/T | 0.50 | | 0.58 | 0.66 | 0.75 | 0.53 | 0.62 | 0.70 | 0.80 | 0.56 | 0.65 | 0.74 | 0.85 | 0.59 | 0.69 | 0.79 | 0.90 |
| | PI | 3.72 | | 3.72 | 3.73 | 3.73 | 3.94 | 3.95 | 3.95 | 3.96 | 4.18 | 4.18 | 4.19 | 4.19 | 4.43 | 4.44 | 4.44 | 4.45 |
| 47 | TC | 47774 | | 47838 | 47892 | 47956 | 50645 | 50705 | 50765 | 50826 | 53672 | 53741 | 53811 | 53871 | 56907 | 56969 | 57040 | 57111 |
| | S/T | 0.50 | | 0.58 | 0.66 | 0.76 | 0.53 | 0.62 | 0.70 | 0.80 | 0.56 | 0.66 | 0.74 | 0.85 | 0.59 | 0.69 | 0.79 | 0.90 |
| | PI | 3.76 | | 3.77 | 3.77 | 3.78 | 3.99 | 3.99 | 4.00 | 4.00 | 4.23 | 4.23 | 4.24 | 4.24 | 4.48 | 4.49 | 4.49 | 4.50 |
| 50 | TC | 47727 | | 47791 | 47845 | 47909 | 50595 | 50655 | 50715 | 50775 | 53619 | 53688 | 53758 | 53818 | 56851 | 56913 | 56984 | 57055 |
| | S/T | 0.50 | | 0.58 | 0.66 | 0.76 | 0.53 | 0.62 | 0.70 | 0.80 | 0.56 | 0.66 | 0.75 | 0.85 | 0.59 | 0.70 | 0.79 | 0.90 |
| | PI | 3.78 | | 3.78 | 3.79 | 3.79 | 4.01 | 4.01 | 4.02 | 4.02 | 4.25 | 4.25 | 4.26 | 4.26 | 4.50 | 4.51 | 4.51 | 4.52 |
| 59 | TC | 47585 | | 47649 | 47703 | 47767 | 50445 | 50505 | 50565 | 50625 | 53460 | 53529 | 53599 | 53659 | 56683 | 56744 | 56815 | 56886 |
| | S/T | 0.50 | | 0.59 | 0.67 | 0.76 | 0.53 | 0.62 | 0.71 | 0.81 | 0.56 | 0.66 | 0.75 | 0.86 | 0.60 | 0.70 | 0.80 | 0.91 |
| | PI | 3.83 | | 3.83 | 3.84 | 3.84 | 4.06 | 4.06 | 4.07 | 4.07 | 4.30 | 4.30 | 4.31 | 4.31 | 4.56 | 4.56 | 4.57 | 4.57 |
| 68 | TC | 47444 | | 47508 | 47561 | 47625 | 50295 | 50355 | 50415 | 50474 | 53301 | 53370 | 53440 | 53499 | 56514 | 56576 | 56646 | 56716 |
| | S/T | 0.50 | | 0.59 | 0.67 | 0.77 | 0.53 | 0.63 | 0.71 | 0.81 | 0.57 | 0.66 | 0.75 | 0.86 | 0.60 | 0.70 | 0.80 | 0.91 |
| | PI | 3.87 | | 3.88 | 3.88 | 3.89 | 4.11 | 4.11 | 4.12 | 4.12 | 4.35 | 4.36 | 4.36 | 4.37 | 4.61 | 4.62 | 4.63 | 4.63 |
| 77 | TC | 47302 | | 47366 | 47419 | 47483 | 50145 | 50205 | 50264 | 50324 | 53142 | 53211 | 53280 | 53340 | 56346 | 56407 | 56477 | 56547 |
| | S/T | 0.52 | | 0.61 | 0.69 | 0.79 | 0.55 | 0.64 | 0.73 | 0.83 | 0.58 | 0.68 | 0.77 | 0.88 | 0.62 | 0.72 | 0.82 | 0.94 |
| | PI | 3.92 | | 3.93 | 3.93 | 3.94 | 4.16 | 4.16 | 4.17 | 4.17 | 4.41 | 4.41 | 4.42 | 4.42 | 4.67 | 4.68 | 4.68 | 4.69 |
| 86 | TC | 44508 | | 44568 | 44618 | 44679 | 47184 | 47239 | 47295 | 47352 | 50003 | 50068 | 50133 | 50189 | 53018 | 53075 | 53141 | 53207 |
| | S/T | 0.52 | | 0.61 | 0.70 | 0.80 | 0.56 | 0.65 | 0.74 | 0.84 | 0.59 | 0.69 | 0.78 | 0.89 | 0.62 | 0.73 | 0.83 | 0.95 |
| | PI | 4.19 | | 4.20 | 4.20 | 4.21 | 4.44 | 4.45 | 4.45 | 4.46 | 4.71 | 4.71 | 4.72 | 4.72 | 4.99 | 5.00 | 5.00 | 5.01 |
| 95 | TC | 43755 | | 43814 | 43863 | 43922 | 46385 | 46440 | 46495 | 46550 | 49157 | 49220 | 49284 | 49339 | 52120 | 52177 | 52241 | 52307 |
| | S/T | 0.54 | | 0.63 | 0.72 | 0.82 | 0.57 | 0.67 | 0.76 | 0.87 | 0.60 | 0.71 | 0.80 | 0.92 | 0.64 | 0.75 | 0.85 | 0.97 |
| | PI | 4.29 | | 4.29 | 4.30 | 4.30 | 4.55 | 4.55 | 4.56 | 4.56 | 4.82 | 4.82 | 4.83 | 4.84 | 5.11 | 5.11 | 5.12 | 5.13 |
| 104 | TC | 38802 | | 38854 | 38898 | 38950 | 41134 | 41183 | 41232 | 41281 | 43592 | 43649 | 43706 | 43754 | 46220 | 46270 | 46328 | 46386 |
| | S/T | 0.56 | | 0.66 | 0.75 | 0.86 | 0.60 | 0.70 | 0.80 | 0.91 | 0.63 | 0.74 | 0.84 | 0.96 | 0.67 | 0.79 | 0.90 | 1.02 |
| | PI | 8.33 | | 8.34 | 8.35 | 8.36 | 8.83 | 8.84 | 8.85 | 8.86 | 9.35 | 9.37 | 9.38 | 9.39 | 9.92 | 9.93 | 9.94 | 9.95 |
| 114.8 | TC | 32859 | | 32903 | 32940 | 32984 | 34834 | 34875 | 34916 | 34958 | 36915 | 36963 | 37011 | 37053 | 39141 | 39183 | 39232 | 39281 |
| | S/T | 0.57 | | 0.67 | 0.76 | 0.87 | 0.60 | 0.71 | 0.81 | 0.92 | 0.64 | 0.75 | 0.85 | 0.97 | 0.68 | 0.80 | 0.91 | 1.03 |
| | PI | 13.17 | | 13.19 | 13.20 | 13.22 | 13.96 | 13.98 | 14.00 | 14.01 | 14.80 | 14.82 | 14.84 | 14.85 | 15.69 | 15.71 | 15.73 | 15.75 |
| 122 | TC | 28896 | | 28935 | 28968 | 29007 | 30633 | 30670 | 30706 | 30742 | 32464 | 32506 | 32548 | 32585 | 34421 | 34458 | 34501 | 34544 |
| | S/T | 0.59 | | 0.69 | 0.79 | 0.90 | 0.63 | 0.73 | 0.84 | 0.95 | 0.66 | 0.78 | 0.89 | 1.01 | 0.70 | 0.83 | 0.94 | 1.07 |
| | PI | 16.40 | | 16.42 | 16.44 | 16.47 | 17.39 | 17.41 | 17.43 | 17.45 | 18.43 | 18.45 | 18.48 | 18.50 | 19.54 | 19.56 | 19.58 | 19.61 |

NOTE: Data highlighted in gray is extrapolated data and not actual test data. At 77°F outdoor conditions sweat protection activates causing a decrease in total capacity.

LEGEND

- TC - Total Net Capacity (Btu/hour)
- S/T: Sensible Cooling Capacity Ratio
- PI: Power Input (kW)
- Extrapolated Data

COOLING PERFORMANCE DUCTED

COOLING PERFORMANCE 48HH (HIGH HEAT)

DUCTED COOLING PERFORMANCE 48HH (Sheet 1 of 4)

| AIRFLOW (CFM) | OUTDOOR DB (°F) | ID WB (°F) ID DB (°F) | 60.8 | | | | 64.4 | | | | 66.2 | | | | 71.6 | | | |
|------------------|--------------------|--------------------------|-------|-------|-------|-------|-------|-------|-------|-------|-------|-------|-------|-------|-------|-------|-------|-------|
| | | | 73.4 | 77.0 | 80.6 | 84.2 | 73.4 | 77.0 | 80.6 | 84.2 | 73.4 | 77.0 | 80.0 | 84.20 | 73.4 | 77.0 | 80.6 | 84.2 |
| | | | TC | S/T | PI | TC | S/T | PI | TC | S/T | PI | TC | S/T | PI | TC | S/T | PI | TC |
| 625 | -22 | TC | 19287 | 19313 | 19335 | 19361 | 20446 | 20471 | 20495 | 20519 | 21668 | 21696 | 21725 | 21749 | 22975 | 22999 | 23028 | 23057 |
| | | S/T | 0.21 | 0.24 | 0.27 | 0.31 | 0.22 | 0.26 | 0.29 | 0.33 | 0.23 | 0.27 | 0.31 | 0.35 | 0.24 | 0.29 | 0.33 | 0.37 |
| | | PI | 1.04 | 1.04 | 1.04 | 1.04 | 1.10 | 1.10 | 1.10 | 1.11 | 1.17 | 1.17 | 1.17 | 1.17 | 1.24 | 1.24 | 1.24 | 1.24 |
| | -10 | TC | 19047 | 19073 | 19094 | 19120 | 20192 | 20216 | 20240 | 20264 | 21398 | 21426 | 21454 | 21478 | 22688 | 22713 | 22741 | 22769 |
| | | S/T | 0.21 | 0.24 | 0.28 | 0.31 | 0.22 | 0.26 | 0.29 | 0.33 | 0.23 | 0.27 | 0.31 | 0.35 | 0.25 | 0.29 | 0.33 | 0.37 |
| | | PI | 1.11 | 1.12 | 1.12 | 1.12 | 1.18 | 1.18 | 1.18 | 1.19 | 1.25 | 1.25 | 1.26 | 1.26 | 1.33 | 1.33 | 1.33 | 1.33 |
| | 0 | TC | 18847 | 18872 | 18893 | 18919 | 19979 | 20003 | 20027 | 20050 | 21173 | 21201 | 21228 | 21252 | 22450 | 22474 | 22502 | 22530 |
| | | S/T | 0.21 | 0.24 | 0.28 | 0.32 | 0.22 | 0.26 | 0.29 | 0.34 | 0.23 | 0.27 | 0.31 | 0.36 | 0.25 | 0.29 | 0.33 | 0.38 |
| | | PI | 1.18 | 1.18 | 1.18 | 1.18 | 1.25 | 1.25 | 1.25 | 1.25 | 1.32 | 1.32 | 1.33 | 1.33 | 1.40 | 1.40 | 1.41 | 1.41 |
| | 5 | TC | 18746 | 18772 | 18793 | 18818 | 19873 | 19897 | 19920 | 19944 | 21061 | 21088 | 21116 | 21139 | 22330 | 22355 | 22382 | 22410 |
| | | S/T | 0.21 | 0.25 | 0.28 | 0.32 | 0.22 | 0.26 | 0.30 | 0.34 | 0.23 | 0.28 | 0.31 | 0.36 | 0.25 | 0.29 | 0.33 | 0.38 |
| | | PI | 1.21 | 1.21 | 1.21 | 1.21 | 1.28 | 1.28 | 1.28 | 1.29 | 1.36 | 1.36 | 1.36 | 1.36 | 1.44 | 1.44 | 1.44 | 1.45 |
| | 14 | TC | 18566 | 18591 | 18612 | 18637 | 19682 | 19705 | 19729 | 19752 | 20858 | 20885 | 20912 | 20936 | 22116 | 22140 | 22167 | 22195 |
| | | S/T | 0.21 | 0.25 | 0.28 | 0.32 | 0.22 | 0.26 | 0.30 | 0.34 | 0.24 | 0.28 | 0.31 | 0.36 | 0.25 | 0.29 | 0.33 | 0.38 |
| | | PI | 1.27 | 1.27 | 1.27 | 1.27 | 1.34 | 1.34 | 1.34 | 1.35 | 1.42 | 1.42 | 1.43 | 1.43 | 1.51 | 1.51 | 1.51 | 1.51 |
| | 17 | TC | 18506 | 18531 | 18552 | 18577 | 19618 | 19642 | 19665 | 19688 | 20791 | 20818 | 20845 | 20868 | 22044 | 22068 | 22096 | 22123 |
| | | S/T | 0.21 | 0.25 | 0.28 | 0.32 | 0.22 | 0.26 | 0.30 | 0.34 | 0.24 | 0.28 | 0.32 | 0.36 | 0.25 | 0.29 | 0.33 | 0.38 |
| | | PI | 1.28 | 1.29 | 1.29 | 1.29 | 1.36 | 1.36 | 1.36 | 1.37 | 1.44 | 1.44 | 1.45 | 1.45 | 1.53 | 1.53 | 1.53 | 1.54 |
| | 23 | TC | 18426 | 18451 | 18471 | 18496 | 19533 | 19557 | 19580 | 19603 | 20701 | 20728 | 20755 | 20778 | 21949 | 21973 | 22000 | 22027 |
| | | S/T | 0.21 | 0.25 | 0.28 | 0.32 | 0.22 | 0.26 | 0.30 | 0.34 | 0.24 | 0.28 | 0.32 | 0.36 | 0.25 | 0.29 | 0.33 | 0.38 |
| | | PI | 1.31 | 1.31 | 1.31 | 1.31 | 1.39 | 1.39 | 1.39 | 1.39 | 1.47 | 1.47 | 1.48 | 1.48 | 1.56 | 1.56 | 1.56 | 1.57 |
| | 32 | TC | 18306 | 18330 | 18351 | 18376 | 19406 | 19429 | 19452 | 19475 | 20566 | 20592 | 20619 | 20642 | 21806 | 21829 | 21856 | 21884 |
| | | S/T | 0.21 | 0.25 | 0.28 | 0.32 | 0.22 | 0.26 | 0.30 | 0.34 | 0.24 | 0.28 | 0.32 | 0.36 | 0.25 | 0.30 | 0.34 | 0.38 |
| | | PI | 1.35 | 1.35 | 1.35 | 1.35 | 1.43 | 1.43 | 1.43 | 1.43 | 1.51 | 1.52 | 1.52 | 1.52 | 1.60 | 1.61 | 1.61 | 1.61 |
| | 41 | TC | 18146 | 18170 | 18190 | 18215 | 19236 | 19259 | 19282 | 19305 | 20386 | 20412 | 20439 | 20462 | 21615 | 21638 | 21665 | 21692 |
| | | S/T | 0.21 | 0.25 | 0.28 | 0.32 | 0.23 | 0.26 | 0.30 | 0.34 | 0.24 | 0.28 | 0.32 | 0.36 | 0.25 | 0.30 | 0.34 | 0.39 |
| | | PI | 1.40 | 1.40 | 1.40 | 1.40 | 1.48 | 1.48 | 1.49 | 1.49 | 1.57 | 1.57 | 1.57 | 1.58 | 1.66 | 1.67 | 1.67 | 1.67 |
| | 47 | TC | 18025 | 18050 | 18070 | 18094 | 19109 | 19131 | 19154 | 19177 | 20251 | 20277 | 20303 | 20326 | 21472 | 21495 | 21522 | 21548 |
| | | S/T | 0.21 | 0.25 | 0.28 | 0.32 | 0.23 | 0.27 | 0.30 | 0.34 | 0.24 | 0.28 | 0.32 | 0.36 | 0.25 | 0.30 | 0.34 | 0.39 |
| | | PI | 1.44 | 1.44 | 1.44 | 1.44 | 1.52 | 1.52 | 1.53 | 1.53 | 1.61 | 1.61 | 1.62 | 1.62 | 1.71 | 1.71 | 1.71 | 1.72 |
| | 50 | TC | 18020 | 18044 | 18064 | 18089 | 19103 | 19125 | 19148 | 19171 | 20244 | 20271 | 20297 | 20320 | 21465 | 21488 | 21515 | 21541 |
| | | S/T | 0.21 | 0.25 | 0.29 | 0.33 | 0.23 | 0.27 | 0.30 | 0.35 | 0.24 | 0.28 | 0.32 | 0.37 | 0.26 | 0.30 | 0.34 | 0.39 |
| | | PI | 1.44 | 1.44 | 1.45 | 1.45 | 1.53 | 1.53 | 1.53 | 1.53 | 1.62 | 1.62 | 1.62 | 1.63 | 1.72 | 1.72 | 1.72 | 1.72 |
| | 59 | TC | 18002 | 18027 | 18047 | 18071 | 19084 | 19107 | 19130 | 19152 | 20225 | 20251 | 20277 | 20300 | 21444 | 21467 | 21494 | 21521 |
| | | S/T | 0.22 | 0.25 | 0.29 | 0.33 | 0.23 | 0.27 | 0.30 | 0.35 | 0.24 | 0.28 | 0.32 | 0.37 | 0.26 | 0.30 | 0.34 | 0.39 |
| | | PI | 1.46 | 1.46 | 1.47 | 1.47 | 1.55 | 1.55 | 1.55 | 1.56 | 1.64 | 1.65 | 1.65 | 1.65 | 1.74 | 1.74 | 1.75 | 1.75 |
| | 68 | TC | 17985 | 18009 | 18029 | 18054 | 19066 | 19089 | 19111 | 19134 | 20205 | 20232 | 20258 | 20280 | 21423 | 21447 | 21473 | 21500 |
| | | S/T | 0.22 | 0.25 | 0.29 | 0.33 | 0.23 | 0.27 | 0.31 | 0.35 | 0.24 | 0.29 | 0.32 | 0.37 | 0.26 | 0.30 | 0.34 | 0.39 |
| | | PI | 1.48 | 1.49 | 1.49 | 1.49 | 1.57 | 1.57 | 1.58 | 1.58 | 1.67 | 1.67 | 1.67 | 1.67 | 1.77 | 1.77 | 1.77 | 1.77 |
| | 77 | TC | 17968 | 17992 | 18012 | 18036 | 19048 | 19070 | 19093 | 19115 | 20186 | 20212 | 20238 | 20261 | 21403 | 21426 | 21453 | 21479 |
| | | S/T | 0.22 | 0.26 | 0.30 | 0.34 | 0.24 | 0.28 | 0.31 | 0.36 | 0.25 | 0.29 | 0.33 | 0.38 | 0.26 | 0.31 | 0.35 | 0.40 |
| | | PI | 1.50 | 1.51 | 1.51 | 1.51 | 1.59 | 1.60 | 1.60 | 1.60 | 1.69 | 1.69 | 1.69 | 1.70 | 1.79 | 1.79 | 1.80 | 1.80 |
| | 86 | TC | 17258 | 17281 | 17301 | 17324 | 18295 | 18317 | 18339 | 18360 | 19389 | 19414 | 19439 | 19461 | 20557 | 20580 | 20605 | 20631 |
| | | S/T | 0.22 | 0.26 | 0.30 | 0.34 | 0.24 | 0.28 | 0.32 | 0.36 | 0.25 | 0.30 | 0.34 | 0.38 | 0.27 | 0.31 | 0.36 | 0.41 |
| | | PI | 1.71 | 1.71 | 1.72 | 1.72 | 1.81 | 1.82 | 1.82 | 1.82 | 1.92 | 1.93 | 1.93 | 1.93 | 2.04 | 2.04 | 2.04 | 2.05 |
| | 95 | TC | 17081 | 17104 | 17123 | 17146 | 18108 | 18129 | 18150 | 18172 | 19190 | 19215 | 19239 | 19261 | 20346 | 20369 | 20394 | 20419 |
| | | S/T | 0.23 | 0.27 | 0.31 | 0.35 | 0.24 | 0.29 | 0.33 | 0.37 | 0.26 | 0.30 | 0.35 | 0.39 | 0.27 | 0.32 | 0.37 | 0.42 |
| | | PI | 1.78 | 1.78 | 1.78 | 1.78 | 1.88 | 1.88 | 1.89 | 1.89 | 1.99 | 2.00 | 2.00 | 2.00 | 2.11 | 2.12 | 2.12 | 2.12 |
| | 104 | TC | 14667 | 14687 | 14703 | 14723 | 15549 | 15567 | 15585 | 15604 | 16478 | 16499 | 16521 | 16539 | 17471 | 17490 | 17512 | 17534 |
| | | S/T | 0.24 | 0.28 | 0.32 | 0.37 | 0.26 | 0.30 | 0.34 | 0.39 | 0.27 | 0.32 | 0.36 | 0.41 | 0.29 | 0.34 | 0.38 | 0.44 |
| | | PI | 3.73 | 3.73 | 3.74 | 3.74 | 3.95 | 3.96 | 3.96 | 3.97 | 4.19 | 4.19 | 4.20 | 4.20 | 4.44 | 4.44 | 4.45 | 4.46 |
| | 114.8 | TC | 11770 | 11786 | 11799 | 11815 | 12478 | 12493 | 12507 | 12522 | 13223 | 13241 | 13258 | 13273 | 14021 | 14036 | 14053 | 14071 |
| | | S/T | 0.25 | 0.29 | 0.33 | 0.37 | 0.26 | 0.30 | 0.35 | 0.39 | 0.28 | 0.32 | 0.37 | 0.42 | 0.29 | 0.34 | 0.39 | 0.44 |
| | | PI | 6.07 | 6.08 | 6.08 | 6.09 | 6.43 | 6.44 | 6.45 | 6.46 | 6.82 | 6.83 | 6.84 | 6.84 | 7.23 | 7.24 | 7.25 | 7.25 |
| | 122 | TC | 9839 | 9852 | 9863 | 9877 | 10431 | 10443 | 10455 | 10468 | 11054 | 11068 | 11083 | 11095 | 11720 | 11733 | 11748 | 11762 |
| | | S/T | 0.25 | 0.30 | 0.34 | 0.39 | 0.27 | 0.32 | 0.36 | 0.41 | 0.29 | 0.33 | 0.38 | 0.43 | 0.30 | 0.35 | 0.40 | 0.46 |
| | | PI | 7.63 | 7.64 | 7.65 | 7.66 | 8.09 | 8.10 | 8.11 | 8.12 | 8.57 | 8.58 | 8.59 | 8.60 | 9.09 | 9.10 | 9.11 | 9.12 |

DUCTED COOLING PERFORMANCE 48HH (Sheet 2 of 4)

| AIRFLOW (CFM) | OUTDOOR DB (°F) | ID WB (°F) | | 60.8 | | | | 64.4 | | | | 66.2 | | | | 71.6 | | | |
|------------------|--------------------|------------|---------|-------|-------|-------|-------|-------|-------|-------|-------|-------|-------|-------|-------|-------|-------|-------|------|
| | | ID | DB (°F) | 73.4 | 77.0 | 80.6 | 84.2 | 73.4 | 77.0 | 80.6 | 84.2 | 73.4 | 77.0 | 80.0 | 84.20 | 73.4 | 77.0 | 80.6 | 84.2 |
| 1025 | -22 | TC | 31318 | 31360 | 31395 | 31438 | 33200 | 33239 | 33279 | 33318 | 35184 | 35230 | 35276 | 35315 | 37305 | 37346 | 37392 | 37439 | |
| | | S/T | 0.31 | 0.37 | 0.42 | 0.48 | 0.33 | 0.39 | 0.44 | 0.50 | 0.35 | 0.41 | 0.47 | 0.53 | 0.37 | 0.44 | 0.50 | 0.57 | |
| | | PI | 1.57 | 1.57 | 1.58 | 1.58 | 1.67 | 1.67 | 1.67 | 1.67 | 1.77 | 1.77 | 1.77 | 1.77 | 1.87 | 1.88 | 1.88 | 1.88 | |
| | -10 | TC | 30928 | 30969 | 31004 | 31046 | 32786 | 32825 | 32864 | 32903 | 34746 | 34791 | 34836 | 34875 | 36840 | 36880 | 36926 | 36972 | |
| | | S/T | 0.32 | 0.37 | 0.42 | 0.48 | 0.33 | 0.39 | 0.45 | 0.51 | 0.35 | 0.42 | 0.47 | 0.54 | 0.38 | 0.44 | 0.50 | 0.57 | |
| | | PI | 1.69 | 1.69 | 1.69 | 1.69 | 1.79 | 1.79 | 1.79 | 1.79 | 1.90 | 1.90 | 1.90 | 1.90 | 2.01 | 2.01 | 2.01 | 2.02 | |
| | 0 | TC | 30602 | 30644 | 30678 | 30719 | 32442 | 32480 | 32519 | 32557 | 34380 | 34425 | 34470 | 34508 | 36453 | 36493 | 36538 | 36583 | |
| | | S/T | 0.32 | 0.37 | 0.42 | 0.48 | 0.34 | 0.39 | 0.45 | 0.51 | 0.36 | 0.42 | 0.47 | 0.54 | 0.38 | 0.44 | 0.50 | 0.57 | |
| | | PI | 1.78 | 1.78 | 1.79 | 1.79 | 1.89 | 1.89 | 1.89 | 1.90 | 2.00 | 2.01 | 2.01 | 2.01 | 2.12 | 2.13 | 2.13 | 2.13 | |
| | 5 | TC | 30440 | 30481 | 30515 | 30556 | 32269 | 32308 | 32346 | 32384 | 34198 | 34242 | 34281 | 34325 | 36259 | 36299 | 36344 | 36389 | |
| | | S/T | 0.32 | 0.37 | 0.42 | 0.48 | 0.34 | 0.40 | 0.45 | 0.51 | 0.36 | 0.42 | 0.48 | 0.54 | 0.38 | 0.44 | 0.50 | 0.58 | |
| | | PI | 1.83 | 1.83 | 1.83 | 1.84 | 1.94 | 1.94 | 1.94 | 1.95 | 2.06 | 2.06 | 2.06 | 2.06 | 2.18 | 2.18 | 2.18 | 2.19 | |
| | 14 | TC | 30147 | 30188 | 30222 | 30262 | 31959 | 31997 | 32035 | 32073 | 33869 | 33913 | 33957 | 33995 | 35911 | 35950 | 35994 | 36039 | |
| | | S/T | 0.32 | 0.37 | 0.43 | 0.49 | 0.34 | 0.40 | 0.45 | 0.51 | 0.36 | 0.42 | 0.48 | 0.55 | 0.38 | 0.45 | 0.51 | 0.58 | |
| | | PI | 1.92 | 1.92 | 1.92 | 1.92 | 2.03 | 2.03 | 2.04 | 2.04 | 2.15 | 2.16 | 2.16 | 2.16 | 2.28 | 2.28 | 2.29 | 2.29 | |
| | 17 | TC | 30050 | 30090 | 30124 | 30164 | 31856 | 31893 | 31931 | 31969 | 33759 | 33803 | 33847 | 33885 | 35794 | 35833 | 35878 | 35923 | |
| | | S/T | 0.32 | 0.38 | 0.43 | 0.49 | 0.34 | 0.40 | 0.45 | 0.52 | 0.36 | 0.42 | 0.48 | 0.55 | 0.38 | 0.45 | 0.51 | 0.58 | |
| | | PI | 1.94 | 1.95 | 1.95 | 1.95 | 2.06 | 2.06 | 2.07 | 2.07 | 2.18 | 2.19 | 2.19 | 2.19 | 2.32 | 2.32 | 2.32 | 2.32 | |
| | 23 | TC | 29919 | 29960 | 29993 | 30034 | 31718 | 31755 | 31793 | 31831 | 33613 | 33657 | 33701 | 33738 | 35639 | 35678 | 35723 | 35767 | |
| | | S/T | 0.32 | 0.38 | 0.43 | 0.49 | 0.34 | 0.40 | 0.45 | 0.52 | 0.36 | 0.42 | 0.48 | 0.55 | 0.38 | 0.45 | 0.51 | 0.58 | |
| | | PI | 1.98 | 1.99 | 1.99 | 1.99 | 2.10 | 2.10 | 2.11 | 2.11 | 2.23 | 2.23 | 2.23 | 2.24 | 2.36 | 2.36 | 2.37 | 2.37 | |
| | 32 | TC | 29724 | 29764 | 29798 | 29838 | 31511 | 31548 | 31586 | 31623 | 33394 | 33437 | 33481 | 33518 | 35407 | 35445 | 35490 | 35534 | |
| | | S/T | 0.32 | 0.38 | 0.43 | 0.49 | 0.34 | 0.40 | 0.46 | 0.52 | 0.36 | 0.43 | 0.48 | 0.55 | 0.38 | 0.45 | 0.51 | 0.58 | |
| | | PI | 2.04 | 2.04 | 2.04 | 2.05 | 2.16 | 2.16 | 2.17 | 2.17 | 2.29 | 2.29 | 2.30 | 2.30 | 2.43 | 2.43 | 2.44 | 2.44 | |
| | 41 | TC | 29464 | 29504 | 29537 | 29577 | 31235 | 31272 | 31309 | 31346 | 33102 | 33145 | 33188 | 33225 | 35097 | 35135 | 35179 | 35223 | |
| | | S/T | 0.32 | 0.38 | 0.43 | 0.49 | 0.34 | 0.40 | 0.46 | 0.52 | 0.36 | 0.43 | 0.49 | 0.55 | 0.39 | 0.45 | 0.51 | 0.59 | |
| | | PI | 2.12 | 2.12 | 2.12 | 2.12 | 2.24 | 2.25 | 2.25 | 2.25 | 2.38 | 2.38 | 2.38 | 2.39 | 2.52 | 2.52 | 2.53 | 2.53 | |
| | 47 | TC | 29269 | 29308 | 29341 | 29381 | 31028 | 31065 | 31102 | 31139 | 32882 | 32925 | 32968 | 33005 | 34865 | 34903 | 34946 | 34989 | |
| | | S/T | 0.32 | 0.38 | 0.43 | 0.49 | 0.34 | 0.40 | 0.46 | 0.52 | 0.36 | 0.43 | 0.49 | 0.55 | 0.39 | 0.45 | 0.52 | 0.59 | |
| | | PI | 2.17 | 2.18 | 2.18 | 2.18 | 2.30 | 2.31 | 2.31 | 2.31 | 2.44 | 2.44 | 2.45 | 2.45 | 2.59 | 2.59 | 2.59 | 2.60 | |
| | 50 | TC | 29260 | 29299 | 29332 | 29371 | 31018 | 31055 | 31092 | 31129 | 32872 | 32915 | 32957 | 32994 | 34853 | 34891 | 34935 | 34978 | |
| | | S/T | 0.33 | 0.38 | 0.43 | 0.50 | 0.35 | 0.41 | 0.46 | 0.52 | 0.37 | 0.43 | 0.49 | 0.56 | 0.39 | 0.46 | 0.52 | 0.59 | |
| | | PI | 2.18 | 2.19 | 2.19 | 2.19 | 2.31 | 2.32 | 2.32 | 2.32 | 2.45 | 2.46 | 2.46 | 2.46 | 2.60 | 2.60 | 2.61 | 2.61 | |
| | 59 | TC | 29232 | 29271 | 29304 | 29343 | 30988 | 31025 | 31062 | 31099 | 32840 | 32883 | 32926 | 32962 | 34820 | 34858 | 34901 | 34945 | |
| | | S/T | 0.33 | 0.38 | 0.44 | 0.50 | 0.35 | 0.41 | 0.46 | 0.53 | 0.37 | 0.43 | 0.49 | 0.56 | 0.39 | 0.46 | 0.52 | 0.59 | |
| | | PI | 2.21 | 2.22 | 2.22 | 2.22 | 2.35 | 2.35 | 2.35 | 2.36 | 2.49 | 2.49 | 2.49 | 2.50 | 2.64 | 2.64 | 2.64 | 2.65 | |
| | 68 | TC | 29203 | 29243 | 29275 | 29315 | 30959 | 30995 | 31032 | 31069 | 32809 | 32851 | 32894 | 32931 | 34786 | 34824 | 34868 | 34911 | |
| | | S/T | 0.33 | 0.39 | 0.44 | 0.50 | 0.35 | 0.41 | 0.47 | 0.53 | 0.37 | 0.43 | 0.49 | 0.56 | 0.39 | 0.46 | 0.52 | 0.60 | |
| | | PI | 2.25 | 2.25 | 2.25 | 2.25 | 2.38 | 2.38 | 2.39 | 2.39 | 2.52 | 2.53 | 2.53 | 2.53 | 2.68 | 2.68 | 2.68 | 2.68 | |
| | 77 | TC | 29175 | 29214 | 29247 | 29287 | 30929 | 30965 | 31002 | 31039 | 32777 | 32819 | 32862 | 32899 | 34753 | 34791 | 34834 | 34877 | |
| | | S/T | 0.34 | 0.40 | 0.45 | 0.51 | 0.36 | 0.42 | 0.48 | 0.54 | 0.38 | 0.45 | 0.51 | 0.58 | 0.40 | 0.47 | 0.54 | 0.61 | |
| | | PI | 2.28 | 2.28 | 2.28 | 2.29 | 2.41 | 2.42 | 2.42 | 2.42 | 2.56 | 2.56 | 2.56 | 2.57 | 2.71 | 2.72 | 2.72 | 2.72 | |
| | 86 | TC | 28023 | 28061 | 28092 | 28130 | 29770 | 29742 | 29778 | 29813 | 31482 | 31523 | 31564 | 31600 | 33380 | 33417 | 33458 | 33500 | |
| | | S/T | 0.34 | 0.40 | 0.46 | 0.52 | 0.36 | 0.43 | 0.48 | 0.55 | 0.38 | 0.45 | 0.51 | 0.58 | 0.41 | 0.48 | 0.54 | 0.62 | |
| | | PI | 2.59 | 2.59 | 2.60 | 2.60 | 2.75 | 2.75 | 2.75 | 2.76 | 2.91 | 2.92 | 2.92 | 2.92 | 3.09 | 3.09 | 3.09 | 3.10 | |
| | 95 | TC | 27735 | 27773 | 27804 | 27841 | 29402 | 29437 | 29472 | 29507 | 31159 | 31200 | 31240 | 31275 | 33038 | 33074 | 33115 | 33156 | |
| | | S/T | 0.35 | 0.41 | 0.47 | 0.53 | 0.37 | 0.44 | 0.50 | 0.57 | 0.39 | 0.46 | 0.53 | 0.60 | 0.42 | 0.49 | 0.56 | 0.64 | |
| | | PI | 2.69 | 2.69 | 2.69 | 2.70 | 2.85 | 2.85 | 2.86 | 2.86 | 3.02 | 3.02 | 3.03 | 3.03 | 3.20 | 3.21 | 3.21 | 3.21 | |
| | 104 | TC | 23816 | 23848 | 23875 | 23907 | 25247 | 25277 | 25307 | 25337 | 26756 | 26791 | 26825 | 26855 | 28369 | 28400 | 28435 | 28470 | |
| | | S/T | 0.37 | 0.43 | 0.49 | 0.56 | 0.39 | 0.46 | 0.52 | 0.59 | 0.41 | 0.49 | 0.55 | 0.63 | 0.44 | 0.52 | 0.59 | 0.67 | |
| | | PI | 5.64 | 5.65 | 5.66 | 5.66 | 5.98 | 5.99 | 6.00 | 6.00 | 6.34 | 6.35 | 6.36 | 6.36 | 6.72 | 6.73 | 6.74 | 6.74 | |
| | 114.8 | TC | 19112 | 19138 | 19159 | 19185 | 20261 | 20285 | 20309 | 20333 | 21472 | 21500 | 21527 | 21552 | 22766 | 22791 | 22819 | 22848 | |
| | | S/T | 0.37 | 0.44 | 0.50 | 0.57 | 0.40 | 0.46 | 0.53 | 0.60 | 0.42 | 0.49 | 0.56 | 0.64 | 0.44 | 0.52 | 0.59 | 0.68 | |
| | | PI | 9.19 | 9.20 | 9.21 | 9.22 | 9.74 | 9.75 | 9.76 | 9.77 | 10.32 | 10.34 | 10.35 | 10.36 | 10.94 | 10.96 | 10.97 | 10.98 | |
| 122 | TC | 15977 | 15998 | 16016 | 16038 | 16937 | 16957 | 16977 | 16997 | 17949 | 17972 | 17996 | 18016 | 19031 | 19052 | 19075 | 19099 | | |
| | S/T | 0.39 | 0.45 | 0.51 | 0.59 | 0.41 | 0.48 | 0.55 | 0.62 | 0.43 | 0.51 | 0.58 | 0.66 | 0.46 | 0.54 | 0.61 | 0.70 | | |
| | PI | 11.55 | 11.57 | 11.58 | 11.60 | 12.25 | 12.26 | 12.27 | 12.29 | 12.98 | 12.99 | 13.01 | 13.03 | 13.76 | 13.77 | 13.79 | 13.81 | | |

DUCTED COOLING PERFORMANCE 48HH (Sheet 3 of 4)

| AIRFLOW (CFM) | OUTDOOR DB (°F) | ID WB (°F) | 60.8 | | | | 64.4 | | | | 66.2 | | | | 71.6 | | | |
|------------------|--------------------|------------|------------|-------|-------|-------|-------|-------|-------|-------|-------|-------|-------|-------|-------|-------|-------|-------|
| | | | ID DB (°F) | 73.4 | 77.0 | 80.6 | 84.2 | 73.4 | 77.0 | 80.6 | 84.2 | 73.4 | 77.0 | 80.0 | 84.20 | 73.4 | 77.0 | 80.6 |
| 1575 | -22 | TC | 47646 | 47710 | 47764 | 47828 | 50510 | 50570 | 50630 | 50690 | 53528 | 53598 | 53667 | 53727 | 56755 | 56817 | 56887 | 56958 |
| | | S/T | 0.48 | 0.56 | 0.63 | 0.72 | 0.50 | 0.59 | 0.67 | 0.77 | 0.53 | 0.63 | 0.71 | 0.81 | 0.57 | 0.67 | 0.76 | 0.86 |
| | | PI | 2.39 | 2.40 | 2.40 | 2.40 | 2.54 | 2.54 | 2.54 | 2.55 | 2.69 | 2.69 | 2.70 | 2.70 | 2.85 | 2.85 | 2.86 | 2.86 |
| | -10 | TC | 47052 | 47116 | 47169 | 47232 | 49880 | 49939 | 49999 | 50058 | 52861 | 52930 | 52999 | 53058 | 56048 | 56109 | 56179 | 56248 |
| | | S/T | 0.48 | 0.56 | 0.64 | 0.73 | 0.51 | 0.60 | 0.68 | 0.77 | 0.54 | 0.63 | 0.72 | 0.82 | 0.57 | 0.67 | 0.76 | 0.87 |
| | | PI | 2.57 | 2.57 | 2.57 | 2.58 | 2.72 | 2.72 | 2.73 | 2.73 | 2.88 | 2.89 | 2.89 | 2.89 | 3.06 | 3.06 | 3.06 | 3.07 |
| | 0 | TC | 46558 | 46620 | 46673 | 46736 | 49356 | 49414 | 49473 | 49532 | 52305 | 52373 | 52441 | 52500 | 55458 | 55519 | 55588 | 55657 |
| | | S/T | 0.48 | 0.57 | 0.64 | 0.73 | 0.51 | 0.60 | 0.68 | 0.78 | 0.54 | 0.64 | 0.72 | 0.82 | 0.57 | 0.67 | 0.77 | 0.87 |
| | | PI | 2.71 | 2.72 | 2.72 | 2.72 | 2.87 | 2.88 | 2.88 | 2.88 | 3.05 | 3.05 | 3.05 | 3.06 | 3.23 | 3.23 | 3.24 | 3.24 |
| | 5 | TC | 46310 | 46373 | 46425 | 46487 | 49094 | 49152 | 49210 | 49268 | 52027 | 52095 | 52163 | 52221 | 55164 | 55224 | 55292 | 55361 |
| | | S/T | 0.48 | 0.57 | 0.64 | 0.73 | 0.51 | 0.60 | 0.68 | 0.78 | 0.54 | 0.64 | 0.72 | 0.83 | 0.58 | 0.68 | 0.77 | 0.88 |
| | | PI | 2.78 | 2.79 | 2.79 | 2.79 | 2.95 | 2.95 | 2.96 | 2.96 | 3.13 | 3.13 | 3.14 | 3.14 | 3.32 | 3.32 | 3.32 | 3.33 |
| | 14 | TC | 45865 | 45927 | 45978 | 46040 | 48622 | 48679 | 48737 | 48795 | 51527 | 51594 | 51661 | 51719 | 54633 | 54693 | 54761 | 54829 |
| | | S/T | 0.49 | 0.57 | 0.65 | 0.74 | 0.51 | 0.60 | 0.69 | 0.78 | 0.55 | 0.64 | 0.73 | 0.83 | 0.58 | 0.68 | 0.77 | 0.88 |
| | | PI | 2.91 | 2.92 | 2.92 | 2.93 | 3.09 | 3.09 | 3.10 | 3.10 | 3.27 | 3.28 | 3.28 | 3.29 | 3.47 | 3.48 | 3.48 | 3.48 |
| 17 | TC | 45717 | 45778 | 45829 | 45891 | 48464 | 48522 | 48579 | 48637 | 51360 | 51427 | 51494 | 51551 | 54457 | 54516 | 54584 | 54652 | |
| | S/T | 0.49 | 0.57 | 0.65 | 0.74 | 0.52 | 0.61 | 0.69 | 0.78 | 0.55 | 0.64 | 0.73 | 0.83 | 0.58 | 0.68 | 0.77 | 0.88 | |
| | PI | 2.96 | 2.96 | 2.97 | 2.97 | 3.14 | 3.14 | 3.14 | 3.15 | 3.32 | 3.33 | 3.33 | 3.34 | 3.52 | 3.53 | 3.53 | 3.54 | |
| 23 | TC | 45519 | 45580 | 45631 | 45693 | 48254 | 48312 | 48369 | 48426 | 51138 | 51204 | 51271 | 51328 | 54221 | 54280 | 54347 | 54415 | |
| | S/T | 0.49 | 0.57 | 0.65 | 0.74 | 0.52 | 0.61 | 0.69 | 0.79 | 0.55 | 0.64 | 0.73 | 0.83 | 0.58 | 0.68 | 0.78 | 0.88 | |
| | PI | 3.02 | 3.02 | 3.02 | 3.03 | 3.20 | 3.20 | 3.21 | 3.21 | 3.39 | 3.39 | 3.40 | 3.40 | 3.59 | 3.60 | 3.60 | 3.61 | |
| 32 | TC | 45222 | 45283 | 45333 | 45395 | 47940 | 47997 | 48053 | 48110 | 50804 | 50870 | 50937 | 50993 | 53867 | 53926 | 53993 | 54060 | |
| | S/T | 0.49 | 0.58 | 0.65 | 0.75 | 0.52 | 0.61 | 0.69 | 0.79 | 0.55 | 0.65 | 0.74 | 0.84 | 0.58 | 0.69 | 0.78 | 0.89 | |
| | PI | 3.10 | 3.11 | 3.11 | 3.12 | 3.29 | 3.29 | 3.30 | 3.30 | 3.49 | 3.49 | 3.50 | 3.50 | 3.70 | 3.70 | 3.71 | 3.71 | |
| 41 | TC | 44826 | 44886 | 44937 | 44997 | 47520 | 47576 | 47633 | 47689 | 50360 | 50425 | 50491 | 50547 | 53396 | 53454 | 53520 | 53587 | |
| | S/T | 0.49 | 0.58 | 0.66 | 0.75 | 0.52 | 0.61 | 0.70 | 0.79 | 0.55 | 0.65 | 0.74 | 0.84 | 0.59 | 0.69 | 0.78 | 0.89 | |
| | PI | 3.22 | 3.22 | 3.23 | 3.23 | 3.41 | 3.42 | 3.42 | 3.42 | 3.62 | 3.62 | 3.63 | 3.63 | 3.83 | 3.84 | 3.84 | 3.85 | |
| 47 | TC | 44529 | 44589 | 44639 | 44699 | 47205 | 47261 | 47317 | 47374 | 50026 | 50091 | 50156 | 50212 | 53042 | 53100 | 53166 | 53232 | |
| | S/T | 0.49 | 0.58 | 0.66 | 0.75 | 0.52 | 0.61 | 0.70 | 0.80 | 0.56 | 0.65 | 0.74 | 0.84 | 0.59 | 0.69 | 0.78 | 0.89 | |
| | PI | 3.31 | 3.31 | 3.31 | 3.32 | 3.50 | 3.51 | 3.51 | 3.52 | 3.71 | 3.72 | 3.72 | 3.73 | 3.94 | 3.94 | 3.95 | 3.95 | |
| 50 | TC | 44515 | 44575 | 44625 | 44685 | 47190 | 47246 | 47302 | 47358 | 50010 | 50075 | 50140 | 50196 | 53025 | 53083 | 53149 | 53215 | |
| | S/T | 0.50 | 0.58 | 0.66 | 0.75 | 0.53 | 0.62 | 0.70 | 0.80 | 0.56 | 0.65 | 0.74 | 0.85 | 0.59 | 0.69 | 0.79 | 0.90 | |
| | PI | 3.32 | 3.33 | 3.33 | 3.33 | 3.52 | 3.53 | 3.53 | 3.53 | 3.73 | 3.74 | 3.74 | 3.75 | 3.96 | 3.96 | 3.97 | 3.97 | |
| 59 | TC | 44472 | 44532 | 44582 | 44642 | 47145 | 47201 | 47257 | 47313 | 49962 | 50027 | 50092 | 50148 | 52974 | 53032 | 53098 | 53164 | |
| | S/T | 0.50 | 0.58 | 0.66 | 0.76 | 0.53 | 0.62 | 0.70 | 0.80 | 0.56 | 0.66 | 0.75 | 0.85 | 0.59 | 0.70 | 0.79 | 0.90 | |
| | PI | 3.37 | 3.37 | 3.38 | 3.38 | 3.57 | 3.58 | 3.58 | 3.58 | 3.79 | 3.79 | 3.80 | 3.80 | 4.01 | 4.02 | 4.02 | 4.03 | |
| 68 | TC | 44429 | 44489 | 44539 | 44599 | 47099 | 47155 | 47211 | 47267 | 49914 | 49979 | 50044 | 50100 | 52923 | 52981 | 53046 | 53113 | |
| | S/T | 0.50 | 0.59 | 0.67 | 0.76 | 0.53 | 0.62 | 0.71 | 0.81 | 0.56 | 0.66 | 0.75 | 0.86 | 0.60 | 0.70 | 0.80 | 0.91 | |
| | PI | 3.42 | 3.42 | 3.43 | 3.43 | 3.62 | 3.63 | 3.63 | 3.63 | 3.84 | 3.84 | 3.85 | 3.85 | 4.07 | 4.07 | 4.08 | 4.08 | |
| 77 | TC | 44386 | 44446 | 44496 | 44556 | 47054 | 47110 | 47166 | 47222 | 49866 | 49931 | 49996 | 50051 | 52872 | 52929 | 52995 | 53061 | |
| | S/T | 0.51 | 0.60 | 0.69 | 0.78 | 0.54 | 0.64 | 0.73 | 0.83 | 0.58 | 0.68 | 0.77 | 0.88 | 0.61 | 0.72 | 0.82 | 0.93 | |
| | PI | 3.46 | 3.47 | 3.47 | 3.48 | 3.67 | 3.68 | 3.68 | 3.69 | 3.89 | 3.90 | 3.90 | 3.91 | 4.13 | 4.13 | 4.14 | 4.14 | |
| 86 | TC | 42633 | 42691 | 42739 | 42796 | 45196 | 45249 | 45303 | 45357 | 47896 | 47959 | 48021 | 48075 | 50784 | 50839 | 50902 | 50966 | |
| | S/T | 0.52 | 0.61 | 0.69 | 0.79 | 0.55 | 0.65 | 0.74 | 0.84 | 0.59 | 0.69 | 0.78 | 0.89 | 0.62 | 0.73 | 0.83 | 0.94 | |
| | PI | 3.94 | 3.95 | 3.95 | 3.96 | 4.18 | 4.18 | 4.19 | 4.19 | 4.43 | 4.43 | 4.44 | 4.45 | 4.70 | 4.70 | 4.71 | 4.71 | |
| 95 | TC | 42196 | 42253 | 42300 | 42357 | 44732 | 44785 | 44838 | 44891 | 47405 | 47466 | 47528 | 47581 | 50263 | 50317 | 50380 | 50443 | |
| | S/T | 0.53 | 0.63 | 0.71 | 0.81 | 0.57 | 0.66 | 0.75 | 0.86 | 0.60 | 0.70 | 0.80 | 0.91 | 0.64 | 0.75 | 0.85 | 0.97 | |
| | PI | 4.09 | 4.09 | 4.10 | 4.10 | 4.34 | 4.34 | 4.35 | 4.35 | 4.59 | 4.60 | 4.61 | 4.61 | 4.87 | 4.88 | 4.88 | 4.89 | |
| 104 | TC | 36233 | 36281 | 36322 | 36371 | 38410 | 38456 | 38501 | 38547 | 40706 | 40758 | 40811 | 40857 | 43159 | 43206 | 43260 | 43314 | |
| | S/T | 0.56 | 0.66 | 0.75 | 0.85 | 0.59 | 0.70 | 0.79 | 0.90 | 0.63 | 0.74 | 0.84 | 0.96 | 0.67 | 0.78 | 0.89 | 1.02 | |
| | PI | 8.58 | 8.60 | 8.61 | 8.62 | 9.10 | 9.11 | 9.12 | 9.13 | 9.64 | 9.66 | 9.67 | 9.68 | 10.22 | 10.24 | 10.25 | 10.26 | |
| 114.8 | TC | 29077 | 29116 | 29149 | 29188 | 30824 | 30861 | 30897 | 30934 | 32666 | 32709 | 32751 | 32788 | 34636 | 34673 | 34716 | 34760 | |
| | S/T | 0.57 | 0.67 | 0.76 | 0.86 | 0.60 | 0.71 | 0.80 | 0.91 | 0.64 | 0.75 | 0.85 | 0.97 | 0.68 | 0.79 | 0.90 | 1.03 | |
| | PI | 13.98 | 14.00 | 14.01 | 14.03 | 14.82 | 14.84 | 14.85 | 14.87 | 15.70 | 15.72 | 15.74 | 15.76 | 16.65 | 16.67 | 16.69 | 16.71 | |
| 122 | TC | 24306 | 24339 | 24366 | 24399 | 25767 | 25798 | 25828 | 25859 | 27307 | 27342 | 27378 | 27408 | 28953 | 28984 | 29021 | 29057 | |
| | PI | 17.57 | 17.60 | 17.62 | 17.64 | 18.63 | 18.65 | 18.67 | 18.70 | 19.74 | 19.77 | 19.79 | 19.82 | 20.93 | 20.96 | 20.98 | 21.01 | |

Manufacturer reserves the right to change, at any time, specifications and designs without notice and without obligations.

DUCTED COOLING PERFORMANCE 48HH (Sheet 4 of 4)

| AIRFLOW (CFM) | OUTDOOR DB (°F) | ID WB (°F) | 60.8 | | | | 64.4 | | | | 66.2 | | | | 71.6 | | | |
|---------------|-----------------|------------|------------|-------|-------|-------|-------|-------|-------|-------|-------|-------|-------|-------|-------|-------|-------|-------|
| | | | ID DB (°F) | 73.4 | 77.0 | 80.6 | 84.2 | 73.4 | 77.0 | 80.6 | 84.2 | 73.4 | 77.0 | 80.0 | 84.20 | 73.4 | 77.0 | 80.6 |
| 1600 | -22 | TC | 47923 | 47988 | 48041 | 48106 | 50804 | 50864 | 50924 | 50984 | 53839 | 53909 | 53979 | 54040 | 57085 | 57147 | 57218 | 57289 |
| | | S/T | 0.48 | 0.56 | 0.64 | 0.73 | 0.51 | 0.60 | 0.68 | 0.77 | 0.54 | 0.63 | 0.72 | 0.82 | 0.57 | 0.67 | 0.76 | 0.87 |
| | | PI | 2.41 | 2.41 | 2.41 | 2.42 | 2.55 | 2.55 | 2.56 | 2.56 | 2.70 | 2.71 | 2.71 | 2.71 | 2.87 | 2.87 | 2.87 | 2.88 |
| | -10 | TC | 47326 | 47390 | 47443 | 47507 | 50170 | 50230 | 50289 | 50349 | 53168 | 53238 | 53307 | 53366 | 56374 | 56435 | 56505 | 56576 |
| | | S/T | 0.48 | 0.57 | 0.64 | 0.73 | 0.51 | 0.60 | 0.68 | 0.78 | 0.54 | 0.64 | 0.72 | 0.82 | 0.57 | 0.67 | 0.77 | 0.87 |
| | | PI | 2.58 | 2.59 | 2.59 | 2.59 | 2.74 | 2.74 | 2.74 | 2.75 | 2.90 | 2.90 | 2.91 | 2.91 | 3.08 | 3.08 | 3.08 | 3.09 |
| | 0 | TC | 46828 | 46891 | 46944 | 47007 | 49643 | 49702 | 49761 | 49820 | 52609 | 52678 | 52746 | 52805 | 55781 | 55842 | 55911 | 55981 |
| | | S/T | 0.48 | 0.57 | 0.65 | 0.74 | 0.51 | 0.60 | 0.69 | 0.78 | 0.54 | 0.64 | 0.73 | 0.83 | 0.58 | 0.68 | 0.77 | 0.88 |
| | | PI | 2.73 | 2.73 | 2.73 | 2.74 | 2.89 | 2.89 | 2.90 | 2.90 | 3.06 | 3.07 | 3.07 | 3.08 | 3.25 | 3.25 | 3.26 | 3.26 |
| | 5 | TC | 46580 | 46642 | 46695 | 46757 | 49379 | 49438 | 49496 | 49555 | 52330 | 52398 | 52466 | 52525 | 55485 | 55545 | 55614 | 55683 |
| | | S/T | 0.49 | 0.57 | 0.65 | 0.74 | 0.52 | 0.60 | 0.69 | 0.78 | 0.55 | 0.64 | 0.73 | 0.83 | 0.58 | 0.68 | 0.77 | 0.88 |
| | | PI | 2.80 | 2.80 | 2.81 | 2.81 | 2.97 | 2.97 | 2.98 | 2.98 | 3.15 | 3.15 | 3.15 | 3.16 | 3.34 | 3.34 | 3.34 | 3.35 |
| | 14 | TC | 46132 | 46194 | 46246 | 46308 | 48904 | 48962 | 49020 | 49078 | 51827 | 51894 | 51961 | 52019 | 54951 | 55011 | 55079 | 55148 |
| | | S/T | 0.49 | 0.57 | 0.65 | 0.74 | 0.52 | 0.61 | 0.69 | 0.79 | 0.55 | 0.64 | 0.73 | 0.83 | 0.58 | 0.68 | 0.78 | 0.88 |
| | | PI | 2.93 | 2.94 | 2.94 | 2.94 | 3.11 | 3.11 | 3.12 | 3.12 | 3.29 | 3.30 | 3.30 | 3.31 | 3.49 | 3.50 | 3.50 | 3.50 |
| | 17 | TC | 45982 | 46044 | 46096 | 46158 | 48746 | 48804 | 48862 | 48920 | 51659 | 51726 | 51793 | 51851 | 54773 | 54833 | 54901 | 54969 |
| | | S/T | 0.49 | 0.57 | 0.65 | 0.74 | 0.52 | 0.61 | 0.69 | 0.79 | 0.55 | 0.65 | 0.73 | 0.84 | 0.58 | 0.68 | 0.78 | 0.89 |
| | | PI | 2.98 | 2.98 | 2.98 | 2.99 | 3.15 | 3.16 | 3.16 | 3.17 | 3.34 | 3.35 | 3.35 | 3.36 | 3.54 | 3.55 | 3.55 | 3.56 |
| | 23 | TC | 45783 | 45845 | 45896 | 45958 | 48535 | 48593 | 48650 | 48708 | 51435 | 51502 | 51569 | 51627 | 54536 | 54595 | 54663 | 54731 |
| | | S/T | 0.49 | 0.58 | 0.65 | 0.75 | 0.52 | 0.61 | 0.69 | 0.79 | 0.55 | 0.65 | 0.74 | 0.84 | 0.58 | 0.69 | 0.78 | 0.89 |
| | | PI | 3.03 | 3.04 | 3.04 | 3.05 | 3.22 | 3.22 | 3.22 | 3.23 | 3.41 | 3.41 | 3.42 | 3.42 | 3.61 | 3.62 | 3.62 | 3.63 |
| | 32 | TC | 45485 | 45546 | 45597 | 45658 | 48219 | 48276 | 48333 | 48390 | 51100 | 51166 | 51233 | 51290 | 54180 | 54239 | 54307 | 54374 |
| | | S/T | 0.49 | 0.58 | 0.66 | 0.75 | 0.52 | 0.61 | 0.70 | 0.80 | 0.55 | 0.65 | 0.74 | 0.84 | 0.59 | 0.69 | 0.78 | 0.89 |
| | | PI | 3.12 | 3.13 | 3.13 | 3.13 | 3.31 | 3.31 | 3.32 | 3.32 | 3.51 | 3.51 | 3.52 | 3.52 | 3.72 | 3.72 | 3.73 | 3.73 |
| | 41 | TC | 45087 | 45147 | 45198 | 45259 | 47796 | 47853 | 47910 | 47967 | 50653 | 50718 | 50784 | 50841 | 53706 | 53765 | 53831 | 53898 |
| | | S/T | 0.50 | 0.58 | 0.66 | 0.75 | 0.53 | 0.62 | 0.70 | 0.80 | 0.56 | 0.65 | 0.74 | 0.85 | 0.59 | 0.69 | 0.79 | 0.90 |
| | | PI | 3.24 | 3.24 | 3.25 | 3.25 | 3.43 | 3.44 | 3.44 | 3.44 | 3.64 | 3.64 | 3.65 | 3.65 | 3.86 | 3.86 | 3.87 | 3.87 |
| | 47 | TC | 44788 | 44848 | 44899 | 44959 | 47480 | 47536 | 47593 | 47649 | 50317 | 50383 | 50448 | 50504 | 53350 | 53408 | 53475 | 53542 |
| | | S/T | 0.50 | 0.58 | 0.66 | 0.76 | 0.53 | 0.62 | 0.70 | 0.80 | 0.56 | 0.66 | 0.74 | 0.85 | 0.59 | 0.69 | 0.79 | 0.90 |
| | | PI | 3.33 | 3.33 | 3.33 | 3.34 | 3.53 | 3.53 | 3.53 | 3.54 | 3.74 | 3.74 | 3.75 | 3.75 | 3.96 | 3.97 | 3.97 | 3.98 |
| | 50 | TC | 44774 | 44834 | 44884 | 44945 | 47465 | 47521 | 47577 | 47634 | 50301 | 50366 | 50432 | 50488 | 53333 | 53391 | 53458 | 53524 |
| | | S/T | 0.50 | 0.58 | 0.66 | 0.76 | 0.53 | 0.62 | 0.70 | 0.80 | 0.56 | 0.66 | 0.75 | 0.85 | 0.59 | 0.70 | 0.79 | 0.90 |
| | | PI | 3.34 | 3.35 | 3.35 | 3.35 | 3.54 | 3.55 | 3.55 | 3.55 | 3.75 | 3.76 | 3.76 | 3.77 | 3.98 | 3.98 | 3.99 | 3.99 |
| | 59 | TC | 44731 | 44791 | 44841 | 44901 | 47419 | 47475 | 47531 | 47588 | 50253 | 50318 | 50383 | 50440 | 53282 | 53340 | 53406 | 53473 |
| | | S/T | 0.50 | 0.59 | 0.67 | 0.76 | 0.53 | 0.62 | 0.71 | 0.81 | 0.56 | 0.66 | 0.75 | 0.86 | 0.60 | 0.70 | 0.80 | 0.91 |
| | | PI | 3.39 | 3.39 | 3.40 | 3.40 | 3.59 | 3.60 | 3.60 | 3.61 | 3.81 | 3.81 | 3.82 | 3.82 | 4.04 | 4.04 | 4.05 | 4.05 |
| | 68 | TC | 44688 | 44748 | 44798 | 44858 | 47373 | 47429 | 47486 | 47542 | 50204 | 50269 | 50335 | 50391 | 53231 | 53289 | 53355 | 53421 |
| | | S/T | 0.50 | 0.59 | 0.67 | 0.77 | 0.53 | 0.63 | 0.71 | 0.81 | 0.57 | 0.66 | 0.75 | 0.86 | 0.60 | 0.70 | 0.80 | 0.91 |
| | | PI | 3.44 | 3.44 | 3.45 | 3.45 | 3.64 | 3.65 | 3.65 | 3.66 | 3.86 | 3.87 | 3.87 | 3.88 | 4.09 | 4.10 | 4.10 | 4.11 |
| | 77 | TC | 44644 | 44704 | 44755 | 44815 | 47328 | 47384 | 47440 | 47496 | 50156 | 50221 | 50286 | 50342 | 53179 | 53237 | 53303 | 53370 |
| | | S/T | 0.52 | 0.61 | 0.69 | 0.79 | 0.55 | 0.64 | 0.73 | 0.83 | 0.58 | 0.68 | 0.77 | 0.88 | 0.62 | 0.72 | 0.82 | 0.94 |
| | | PI | 3.48 | 3.49 | 3.49 | 3.50 | 3.69 | 3.70 | 3.70 | 3.71 | 3.91 | 3.92 | 3.92 | 3.93 | 4.15 | 4.15 | 4.16 | 4.17 |
| | 86 | TC | 42881 | 42939 | 42987 | 43045 | 45458 | 45512 | 45566 | 45620 | 48175 | 48237 | 48300 | 48354 | 51079 | 51135 | 51198 | 51262 |
| | | S/T | 0.52 | 0.61 | 0.70 | 0.80 | 0.56 | 0.65 | 0.74 | 0.84 | 0.59 | 0.69 | 0.78 | 0.89 | 0.62 | 0.73 | 0.83 | 0.95 |
| | | PI | 3.97 | 3.97 | 3.98 | 3.98 | 4.20 | 4.21 | 4.21 | 4.22 | 4.45 | 4.46 | 4.47 | 4.47 | 4.72 | 4.73 | 4.73 | 4.74 |
| | 95 | TC | 42441 | 42498 | 42546 | 42603 | 44992 | 45045 | 45099 | 45152 | 47681 | 47742 | 47805 | 47858 | 50555 | 50610 | 50673 | 50736 |
| | | S/T | 0.54 | 0.63 | 0.72 | 0.82 | 0.57 | 0.67 | 0.76 | 0.87 | 0.60 | 0.71 | 0.80 | 0.92 | 0.64 | 0.75 | 0.85 | 0.97 |
| | | PI | 4.11 | 4.12 | 4.12 | 4.13 | 4.36 | 4.37 | 4.37 | 4.38 | 4.62 | 4.63 | 4.63 | 4.64 | 4.90 | 4.90 | 4.91 | 4.92 |
| 104 | TC | 36443 | 36492 | 36533 | 36582 | 38634 | 38679 | 38725 | 38771 | 40942 | 40995 | 41049 | 41095 | 43410 | 43458 | 43512 | 43566 | |
| | S/T | 0.56 | 0.66 | 0.75 | 0.86 | 0.60 | 0.70 | 0.80 | 0.91 | 0.63 | 0.74 | 0.84 | 0.96 | 0.67 | 0.79 | 0.90 | 1.02 | |
| | PI | 8.63 | 8.65 | 8.66 | 8.67 | 9.15 | 9.16 | 9.17 | 9.19 | 9.70 | 9.71 | 9.72 | 9.74 | 10.28 | 10.30 | 10.31 | 10.32 | |
| 114.8 | TC | 29246 | 29285 | 29318 | 29358 | 31004 | 31040 | 31077 | 31114 | 32856 | 32899 | 32942 | 32979 | 34837 | 34875 | 34918 | 34962 | |
| | S/T | 0.57 | 0.67 | 0.76 | 0.87 | 0.60 | 0.71 | 0.81 | 0.92 | 0.64 | 0.75 | 0.85 | 0.97 | 0.68 | 0.80 | 0.91 | 1.03 | |
| | PI | 14.06 | 14.08 | 14.09 | 14.11 | 14.90 | 14.92 | 14.94 | 14.96 | 15.79 | 15.81 | 15.84 | 15.85 | 16.75 | 16.76 | 16.79 | 16.81 | |
| 122 | TC | 24448 | 24480 | 24508 | 24541 | 25917 | 25948 | 25978 | 26009 | 27466 | 27501 | 27537 | 27568 | 29121 | 29153 | 29189 | 29226 | |
| | S/T | 0.59 | 0.69 | 0.79 | 0.90 | 0.63 | 0.73 | 0.84 | 0.95 | 0.66 | 0.78 | 0.89 | 1.01 | 0.70 | 0.83 | 0.94 | 1.07 | |
| | PI | 17.68 | 17.70 | 17.72 | 17.74 | 18.74 | 18.76 | 18.78 | 18.80 | 19.86 | 19.88 | 19.91 | 19.93 | 21.05 | 21.08 | 21.10 | 21.13 | |

NOTE: Data highlighted in gray is extrapolated data and not actual test data. At 77°F outdoor conditions sweat protection activates causing a decrease in total capacity.

LEGEND

TC - Total Net Capacity (Btu/hour)
 S/T: Sensible Cooling Capacity Ratio
 PI: Power Input (kW)
 Extrapolated Data

HEATING PERFORMANCE DUCTED

“HEATING PERFORMANCE 18R (STANDARD)” on page 111

“HEATING PERFORMANCE 36HH (HIGH HEAT)” on page 116

“HEATING PERFORMANCE 24HH (HIGH HEAT)” on page 113

“HEATING PERFORMANCE 48R (STANDARD)” on page 117

“HEATING PERFORMANCE 30HH (HIGH HEAT)” on page 114

“HEATING PERFORMANCE 48HH (HIGH HEAT)” on page 118

“HEATING PERFORMANCE 36R (STANDARD)” on page 115

HEATING PERFORMANCE 18R (STANDARD)

DUCTED HEATING PERFORMANCE 18R

| AIRFLOW (CFM) | OUTDOOR DB (°F) | TC : Total Heating Capacity (BTU/hr) | | | | | PI : Power Input (kW) | | | | |
|------------------|--------------------|--------------------------------------|-------|-------|-------|-------|---------------------------|------|-------|------|------|
| | | Indoor Conditions (DB °F) | | | | | Indoor Conditions (DB °F) | | | | |
| | | 60.8 | 68.0 | 70.0 | 71.6 | 75.2 | 60.8 | 68.0 | 70.00 | 71.6 | 75.2 |
| 250 | -22.0 | 3903 | 3825 | 3806 | 3729 | 3696 | 2.31 | 2.32 | 2.33 | 2.33 | 2.34 |
| | -10.0 | 4724 | 4630 | 4606 | 4514 | 4474 | 2.21 | 2.23 | 2.23 | 2.24 | 2.25 |
| | 0.0 | 5409 | 5300 | 5274 | 5168 | 5122 | 2.13 | 2.15 | 2.15 | 2.16 | 2.17 |
| | 5.0 | 5751 | 5636 | 5608 | 5495 | 5446 | 2.09 | 2.11 | 2.11 | 2.12 | 2.13 |
| | 14.0 | 6367 | 6239 | 6208 | 6084 | 6029 | 2.02 | 2.04 | 2.04 | 2.05 | 2.05 |
| | 17.0 | 6572 | 6441 | 6408 | 6280 | 6224 | 2.00 | 2.01 | 2.02 | 2.02 | 2.03 |
| | 22.0 | 6654 | 6521 | 6489 | 6359 | 6302 | 1.98 | 2.00 | 2.00 | 2.01 | 2.02 |
| | 27.0 | 6736 | 6602 | 6569 | 6437 | 6379 | 1.97 | 1.99 | 1.99 | 1.99 | 2.00 |
| | 32.0 | 6819 | 6682 | 6649 | 6516 | 6457 | 1.96 | 1.97 | 1.98 | 1.98 | 1.99 |
| | 37.0 | 7366 | 7219 | 7183 | 7039 | 6976 | 1.94 | 1.96 | 1.96 | 1.96 | 1.97 |
| | 42.0 | 8612 | 8440 | 8397 | 8229 | 8155 | 1.93 | 1.94 | 1.95 | 1.95 | 1.96 |
| | 44.6 | 9110 | 8928 | 8883 | 8706 | 8627 | 1.92 | 1.94 | 1.94 | 1.94 | 1.95 |
| | 47.0 | 9857 | 9660 | 9612 | 9420 | 9335 | 1.90 | 1.92 | 1.92 | 1.92 | 1.93 |
| | 52.0 | 11103 | 10881 | 10827 | 10610 | 10515 | 1.88 | 1.90 | 1.90 | 1.90 | 1.91 |
| 57.0 | 12349 | 12102 | 12041 | 11800 | 11694 | 1.86 | 1.88 | 1.88 | 1.88 | 1.89 | |
| 62.0 | 13594 | 13323 | 13256 | 12991 | 12874 | 1.84 | 1.86 | 1.86 | 1.86 | 1.87 | |
| 64.4 | 14093 | 13811 | 13742 | 13467 | 13346 | 1.83 | 1.85 | 1.85 | 1.86 | 1.86 | |
| 410 | -22.0 | 6400 | 6272 | 6241 | 6116 | 6061 | 2.33 | 2.35 | 2.35 | 2.36 | 2.37 |
| | -10.0 | 7747 | 7593 | 7555 | 7403 | 7337 | 2.23 | 2.25 | 2.26 | 2.26 | 2.27 |
| | 0.0 | 8870 | 8693 | 8649 | 8476 | 8400 | 2.15 | 2.17 | 2.17 | 2.18 | 2.19 |
| | 5.0 | 9431 | 9243 | 9196 | 9012 | 8931 | 2.11 | 2.13 | 2.13 | 2.14 | 2.15 |
| | 14.0 | 10441 | 10233 | 10181 | 9978 | 9888 | 2.04 | 2.06 | 2.06 | 2.07 | 2.07 |
| | 17.0 | 10778 | 10563 | 10510 | 10300 | 10207 | 2.02 | 2.03 | 2.04 | 2.04 | 2.05 |
| | 22.0 | 10913 | 10695 | 10641 | 10428 | 10335 | 2.00 | 2.02 | 2.02 | 2.03 | 2.04 |
| | 27.0 | 11048 | 10827 | 10773 | 10557 | 10462 | 1.99 | 2.01 | 2.01 | 2.01 | 2.02 |
| | 32.0 | 11182 | 10959 | 10904 | 10686 | 10590 | 1.98 | 1.99 | 2.00 | 2.00 | 2.01 |
| | 37.0 | 12080 | 11839 | 11780 | 11544 | 11440 | 1.96 | 1.98 | 1.98 | 1.98 | 1.99 |
| | 42.0 | 14123 | 13841 | 13772 | 13496 | 13375 | 1.95 | 1.96 | 1.97 | 1.97 | 1.98 |
| | 44.6 | 14940 | 14642 | 14568 | 14277 | 14149 | 1.94 | 1.95 | 1.96 | 1.96 | 1.97 |
| | 47.0 | 16166 | 15843 | 15764 | 15448 | 15309 | 1.92 | 1.94 | 1.94 | 1.94 | 1.95 |
| | 52.0 | 18209 | 17845 | 17756 | 17401 | 17244 | 1.90 | 1.92 | 1.92 | 1.92 | 1.93 |
| 57.0 | 20252 | 19847 | 19748 | 19353 | 19179 | 1.88 | 1.90 | 1.90 | 1.90 | 1.91 | |
| 62.0 | 22295 | 21849 | 21740 | 21305 | 21113 | 1.86 | 1.88 | 1.88 | 1.88 | 1.89 | |
| 64.4 | 23112 | 22650 | 22537 | 22086 | 21887 | 1.85 | 1.87 | 1.87 | 1.88 | 1.88 | |
| 630 | -22.0 | 9548 | 9357 | 9311 | 9124 | 9042 | 2.35 | 2.37 | 2.38 | 2.38 | 2.39 |
| | -10.0 | 11558 | 11327 | 11270 | 11045 | 10945 | 2.26 | 2.27 | 2.28 | 2.28 | 2.29 |
| | 0.0 | 13233 | 12968 | 12903 | 12645 | 12531 | 2.17 | 2.19 | 2.20 | 2.20 | 2.21 |
| | 5.0 | 14070 | 13788 | 13719 | 13445 | 13324 | 2.13 | 2.15 | 2.16 | 2.16 | 2.17 |
| | 14.0 | 15577 | 15265 | 15189 | 14885 | 14751 | 2.06 | 2.08 | 2.08 | 2.09 | 2.10 |
| | 17.0 | 16079 | 15758 | 15679 | 15365 | 15227 | 2.04 | 2.05 | 2.06 | 2.06 | 2.07 |
| | 22.0 | 16280 | 15955 | 15875 | 15557 | 15417 | 2.02 | 2.04 | 2.04 | 2.05 | 2.06 |
| | 27.0 | 16481 | 16152 | 16071 | 15749 | 15608 | 2.01 | 2.03 | 2.03 | 2.03 | 2.04 |
| | 32.0 | 16682 | 16349 | 16267 | 15941 | 15798 | 2.00 | 2.01 | 2.02 | 2.02 | 2.03 |
| | 37.0 | 18022 | 17661 | 17573 | 17222 | 17067 | 1.98 | 2.00 | 2.00 | 2.00 | 2.01 |
| | 42.0 | 21070 | 20648 | 20545 | 20134 | 19953 | 1.97 | 1.98 | 1.99 | 1.99 | 2.00 |
| | 44.6 | 22289 | 21843 | 21734 | 21299 | 21107 | 1.96 | 1.97 | 1.98 | 1.98 | 1.99 |
| | 47.0 | 24117 | 23635 | 23517 | 23046 | 22839 | 1.94 | 1.96 | 1.96 | 1.96 | 1.97 |
| | 52.0 | 27165 | 26622 | 26488 | 25959 | 25725 | 1.92 | 1.94 | 1.94 | 1.94 | 1.95 |
| 57.0 | 30212 | 29608 | 29460 | 28871 | 28611 | 1.90 | 1.92 | 1.92 | 1.92 | 1.93 | |
| 62.0 | 33260 | 32595 | 32432 | 31783 | 31497 | 1.88 | 1.89 | 1.90 | 1.90 | 1.91 | |
| 64.4 | 34479 | 33790 | 33621 | 32948 | 32652 | 1.87 | 1.89 | 1.89 | 1.89 | 1.90 | |

DUCTED HEATING PERFORMANCE 18R

| AIRFLOW (CFM) | OUTDOOR DB (°F) | TC : Total Heating Capacity (BTU/hr) | | | | | PI : Power Input (kW) | | | | |
|------------------|--------------------|--------------------------------------|-------|-------|-------|-------|---------------------------|------|-------|------|------|
| | | Indoor Conditions (DB °F) | | | | | Indoor Conditions (DB °F) | | | | |
| | | 60.8 | 68.0 | 70.0 | 71.6 | 75.2 | 60.8 | 68.0 | 70.00 | 71.6 | 75.2 |
| | -22.0 | 9417 | 9229 | 9183 | 8999 | 8918 | 2.38 | 2.40 | 2.40 | 2.41 | 2.41 |
| | -10.0 | 11399 | 11171 | 11116 | 10893 | 10795 | 2.28 | 2.30 | 2.30 | 2.31 | 2.32 |
| | 0.0 | 13051 | 12790 | 12726 | 12472 | 12359 | 2.20 | 2.21 | 2.22 | 2.22 | 2.23 |
| | 5.0 | 13877 | 13599 | 13531 | 13261 | 13141 | 2.16 | 2.17 | 2.18 | 2.18 | 2.19 |
| | 14.0 | 15363 | 15056 | 14981 | 14681 | 14549 | 2.08 | 2.10 | 2.10 | 2.11 | 2.12 |
| | 17.0 | 15859 | 15542 | 15464 | 15155 | 15018 | 2.06 | 2.07 | 2.08 | 2.08 | 2.09 |
| | 22.0 | 16057 | 15736 | 15657 | 15344 | 15206 | 2.04 | 2.06 | 2.06 | 2.07 | 2.08 |
| | 27.0 | 16255 | 15930 | 15850 | 15533 | 15394 | 2.03 | 2.05 | 2.05 | 2.06 | 2.06 |
| 640 | 32.0 | 16453 | 16124 | 16044 | 15723 | 15581 | 2.02 | 2.03 | 2.04 | 2.04 | 2.05 |
| | 37.0 | 17775 | 17419 | 17332 | 16985 | 16833 | 2.00 | 2.02 | 2.02 | 2.02 | 2.03 |
| | 42.0 | 20781 | 20365 | 20263 | 19858 | 19679 | 1.98 | 2.00 | 2.01 | 2.01 | 2.02 |
| | 44.6 | 21983 | 21543 | 21436 | 21007 | 20818 | 1.98 | 1.99 | 2.00 | 2.00 | 2.01 |
| | 47.0 | 23786 | 23311 | 23194 | 22730 | 22526 | 1.96 | 1.98 | 1.98 | 1.98 | 1.99 |
| | 52.0 | 26792 | 26256 | 26125 | 25603 | 25372 | 1.94 | 1.96 | 1.96 | 1.96 | 1.97 |
| | 57.0 | 29798 | 29202 | 29056 | 28475 | 28219 | 1.92 | 1.93 | 1.94 | 1.94 | 1.95 |
| | 62.0 | 32804 | 32148 | 31987 | 31347 | 31065 | 1.90 | 1.91 | 1.92 | 1.92 | 1.93 |
| | 64.4 | 34006 | 33326 | 33160 | 32496 | 32204 | 1.89 | 1.91 | 1.91 | 1.91 | 1.92 |

NOTE: Data highlighted in gray is extrapolated data and not actual test data.

HEATING PERFORMANCE DUCTED

HEATING PERFORMANCE 24HH (HIGH HEAT)

DUCTED HEATING PERFORMANCE 24HH

| AIRFLOW (CFM) | OUTDOOR DB (°F) | TC : Total Heating Capacity (BTU/hr) | | | | | PI : Power Input (kW) | | | | |
|---------------|-----------------|--------------------------------------|-------|-------|-------|-------|---------------------------|------|-------|------|------|
| | | Indoor Conditions (DB °F) | | | | | Indoor Conditions (DB °F) | | | | |
| | | 60.8 | 68.0 | 70.0 | 71.6 | 75.2 | 60.8 | 68.0 | 70.00 | 71.6 | 75.2 |
| 375 | -22.0 | 5812 | 5695 | 5667 | 5554 | 5504 | 3.58 | 3.61 | 3.61 | 3.62 | 3.64 |
| | -10.0 | 6880 | 6742 | 6708 | 6574 | 6515 | 3.34 | 3.37 | 3.37 | 3.38 | 3.39 |
| | 0.0 | 7770 | 7614 | 7576 | 7425 | 7358 | 3.14 | 3.17 | 3.17 | 3.18 | 3.19 |
| | 5.0 | 8215 | 8050 | 8010 | 7850 | 7779 | 3.04 | 3.07 | 3.07 | 3.08 | 3.09 |
| | 14.0 | 9016 | 8835 | 8791 | 8615 | 8538 | 2.86 | 2.89 | 2.89 | 2.90 | 2.91 |
| | 17.0 | 9283 | 9097 | 9052 | 8871 | 8791 | 2.81 | 2.83 | 2.83 | 2.84 | 2.85 |
| | 22.0 | 9507 | 9317 | 9271 | 9085 | 9003 | 2.80 | 2.82 | 2.83 | 2.83 | 2.84 |
| | 27.0 | 9732 | 9537 | 9490 | 9300 | 9216 | 2.79 | 2.81 | 2.82 | 2.82 | 2.83 |
| | 32.0 | 9957 | 9758 | 9709 | 9515 | 9429 | 2.78 | 2.80 | 2.81 | 2.82 | 2.83 |
| | 37.0 | 10737 | 10522 | 10470 | 10260 | 10168 | 2.77 | 2.80 | 2.80 | 2.81 | 2.82 |
| | 42.0 | 12351 | 12104 | 12044 | 11803 | 11697 | 2.77 | 2.79 | 2.80 | 2.80 | 2.81 |
| | 44.6 | 12997 | 12737 | 12673 | 12420 | 12308 | 2.76 | 2.79 | 2.79 | 2.80 | 2.81 |
| | 47.0 | 13965 | 13686 | 13618 | 13345 | 13225 | 2.76 | 2.78 | 2.79 | 2.79 | 2.80 |
| | 52.0 | 15580 | 15268 | 15192 | 14888 | 14754 | 2.75 | 2.77 | 2.78 | 2.78 | 2.79 |
| | 57.0 | 17194 | 16850 | 16766 | 16430 | 16283 | 2.74 | 2.76 | 2.77 | 2.77 | 2.79 |
| 62.0 | 18808 | 18432 | 18340 | 17973 | 17811 | 2.73 | 2.76 | 2.76 | 2.77 | 2.78 | |
| 64.4 | 19454 | 19065 | 18969 | 18590 | 18423 | 2.73 | 2.75 | 2.76 | 2.76 | 2.77 | |
| 615 | -22.0 | 9531 | 9341 | 9294 | 9108 | 9026 | 3.61 | 3.64 | 3.65 | 3.66 | 3.67 |
| | -10.0 | 11283 | 11057 | 11002 | 10782 | 10685 | 3.37 | 3.40 | 3.41 | 3.41 | 3.43 |
| | 0.0 | 12742 | 12488 | 12425 | 12177 | 12067 | 3.17 | 3.20 | 3.21 | 3.21 | 3.23 |
| | 5.0 | 13472 | 13203 | 13137 | 12874 | 12758 | 3.07 | 3.10 | 3.10 | 3.11 | 3.12 |
| | 14.0 | 14786 | 14490 | 14418 | 14129 | 14002 | 2.89 | 2.92 | 2.92 | 2.93 | 2.94 |
| | 17.0 | 15224 | 14919 | 14845 | 14548 | 14417 | 2.83 | 2.86 | 2.86 | 2.87 | 2.88 |
| | 22.0 | 15592 | 15280 | 15204 | 14900 | 14766 | 2.83 | 2.85 | 2.85 | 2.86 | 2.87 |
| | 27.0 | 15961 | 15641 | 15563 | 15252 | 15115 | 2.82 | 2.84 | 2.85 | 2.85 | 2.86 |
| | 32.0 | 16329 | 16002 | 15922 | 15604 | 15464 | 2.81 | 2.83 | 2.84 | 2.84 | 2.85 |
| | 37.0 | 17609 | 17257 | 17170 | 16827 | 16676 | 2.80 | 2.82 | 2.83 | 2.84 | 2.85 |
| | 42.0 | 20256 | 19851 | 19752 | 19357 | 19183 | 2.80 | 2.82 | 2.82 | 2.83 | 2.84 |
| | 44.6 | 21315 | 20889 | 20784 | 20369 | 20185 | 2.79 | 2.82 | 2.82 | 2.83 | 2.84 |
| | 47.0 | 22903 | 22445 | 22333 | 21886 | 21689 | 2.79 | 2.81 | 2.81 | 2.82 | 2.83 |
| | 52.0 | 25551 | 25040 | 24914 | 24416 | 24196 | 2.78 | 2.80 | 2.81 | 2.81 | 2.82 |
| | 57.0 | 28198 | 27634 | 27496 | 26946 | 26703 | 2.77 | 2.79 | 2.80 | 2.80 | 2.81 |
| 62.0 | 30845 | 30228 | 30077 | 29476 | 29210 | 2.76 | 2.78 | 2.79 | 2.79 | 2.81 | |
| 64.4 | 31904 | 31266 | 31110 | 30487 | 30213 | 2.76 | 2.78 | 2.79 | 2.79 | 2.80 | |
| 945 | -22.0 | 14219 | 13935 | 13865 | 13588 | 13465 | 3.65 | 3.68 | 3.69 | 3.69 | 3.71 |
| | -10.0 | 16832 | 16495 | 16413 | 16085 | 15940 | 3.41 | 3.44 | 3.44 | 3.45 | 3.46 |
| | 0.0 | 19009 | 18629 | 18536 | 18165 | 18002 | 3.21 | 3.23 | 3.24 | 3.24 | 3.26 |
| | 5.0 | 20098 | 19696 | 19598 | 19206 | 19033 | 3.10 | 3.13 | 3.14 | 3.14 | 3.15 |
| | 14.0 | 22058 | 21617 | 21509 | 21079 | 20889 | 2.92 | 2.95 | 2.95 | 2.96 | 2.97 |
| | 17.0 | 22711 | 22257 | 22146 | 21703 | 21507 | 2.86 | 2.89 | 2.89 | 2.90 | 2.91 |
| | 22.0 | 23261 | 22796 | 22682 | 22228 | 22028 | 2.85 | 2.88 | 2.88 | 2.89 | 2.90 |
| | 27.0 | 23810 | 23334 | 23218 | 22753 | 22548 | 2.85 | 2.87 | 2.87 | 2.88 | 2.89 |
| | 32.0 | 24360 | 23873 | 23754 | 23278 | 23069 | 2.84 | 2.86 | 2.87 | 2.87 | 2.88 |
| | 37.0 | 26270 | 25744 | 25615 | 25103 | 24877 | 2.83 | 2.85 | 2.86 | 2.86 | 2.88 |
| | 42.0 | 30219 | 29614 | 29466 | 28877 | 28617 | 2.82 | 2.85 | 2.85 | 2.86 | 2.87 |
| | 44.6 | 31798 | 31162 | 31007 | 30387 | 30113 | 2.82 | 2.84 | 2.85 | 2.86 | 2.87 |
| | 47.0 | 34168 | 33485 | 33317 | 32651 | 32357 | 2.81 | 2.84 | 2.84 | 2.85 | 2.86 |
| | 52.0 | 38117 | 37355 | 37168 | 36425 | 36097 | 2.81 | 2.83 | 2.83 | 2.84 | 2.85 |
| | 57.0 | 42066 | 41225 | 41019 | 40199 | 39837 | 2.80 | 2.82 | 2.83 | 2.83 | 2.84 |
| 62.0 | 46016 | 45095 | 44870 | 43973 | 43577 | 2.79 | 2.81 | 2.82 | 2.82 | 2.83 | |
| 64.4 | 47595 | 46643 | 46410 | 45482 | 45073 | 2.79 | 2.81 | 2.81 | 2.82 | 2.83 | |
| 960 | -22.0 | 14024 | 13743 | 13675 | 13401 | 13281 | 3.69 | 3.72 | 3.72 | 3.73 | 3.75 |
| | -10.0 | 16601 | 16269 | 16188 | 15864 | 15721 | 3.44 | 3.47 | 3.48 | 3.48 | 3.50 |
| | 0.0 | 18749 | 18374 | 18282 | 17916 | 17755 | 3.24 | 3.26 | 3.27 | 3.28 | 3.29 |
| | 5.0 | 19823 | 19426 | 19329 | 18942 | 18772 | 3.14 | 3.16 | 3.17 | 3.17 | 3.19 |
| | 14.0 | 21755 | 21320 | 21214 | 20789 | 20602 | 2.95 | 2.98 | 2.98 | 2.99 | 3.00 |
| | 17.0 | 22400 | 21952 | 21842 | 21405 | 21212 | 2.89 | 2.91 | 2.92 | 2.93 | 2.94 |
| | 22.0 | 22942 | 22483 | 22371 | 21923 | 21726 | 2.88 | 2.91 | 2.91 | 2.92 | 2.93 |
| | 27.0 | 23484 | 23014 | 22899 | 22441 | 22239 | 2.87 | 2.90 | 2.90 | 2.91 | 2.92 |
| | 32.0 | 24026 | 23545 | 23428 | 22959 | 22753 | 2.87 | 2.89 | 2.90 | 2.90 | 2.91 |
| | 37.0 | 25909 | 25391 | 25264 | 24759 | 24536 | 2.86 | 2.88 | 2.89 | 2.89 | 2.90 |
| | 42.0 | 29804 | 29208 | 29062 | 28481 | 28225 | 2.85 | 2.87 | 2.88 | 2.89 | 2.90 |
| | 44.6 | 31362 | 30735 | 30581 | 29970 | 29700 | 2.85 | 2.87 | 2.88 | 2.88 | 2.90 |
| | 47.0 | 33699 | 33025 | 32860 | 32203 | 31913 | 2.84 | 2.86 | 2.87 | 2.88 | 2.89 |
| | 52.0 | 37594 | 36843 | 36658 | 35925 | 35602 | 2.83 | 2.86 | 2.86 | 2.87 | 2.88 |
| | 57.0 | 41490 | 40660 | 40456 | 39647 | 39290 | 2.83 | 2.85 | 2.85 | 2.86 | 2.87 |
| 62.0 | 45385 | 44477 | 44255 | 43369 | 42979 | 2.82 | 2.84 | 2.85 | 2.85 | 2.86 | |
| 64.4 | 46943 | 46004 | 45774 | 44858 | 44455 | 2.81 | 2.84 | 2.84 | 2.85 | 2.86 | |

NOTE: Data highlighted in gray is extrapolated data and not actual test data.

Manufacturer reserves the right to change, at any time, specifications and designs without notice and without obligations.

HEATING PERFORMANCE DUCTED

HEATING PERFORMANCE 30HH (HIGH HEAT)

DUCTED HEATING PERFORMANCE 30HH

| AIRFLOW (CFM) | OUTDOOR DB (°F) | TC : Total Heating Capacity (BTU/hr) | | | | | PI : Power Input (kW) | | | | |
|---------------|-----------------|--------------------------------------|-------|-------|-------|-------|---------------------------|------|-------|------|------|
| | | Indoor Conditions (DB °F) | | | | | Indoor Conditions (DB °F) | | | | |
| | | 60.8 | 68.0 | 70.0 | 71.6 | 75.2 | 60.8 | 68.0 | 70.00 | 71.6 | 75.2 |
| 500 | -22.0 | 5340 | 5233 | 5207 | 5103 | 5057 | 3.46 | 3.49 | 3.49 | 3.50 | 3.52 |
| | -10.0 | 6877 | 6740 | 6706 | 6572 | 6513 | 3.43 | 3.45 | 3.46 | 3.47 | 3.48 |
| | 0.0 | 8158 | 7995 | 7955 | 7796 | 7725 | 3.40 | 3.43 | 3.43 | 3.44 | 3.46 |
| | 5.0 | 8798 | 8622 | 8579 | 8408 | 8332 | 3.39 | 3.41 | 3.42 | 3.43 | 3.44 |
| | 14.0 | 9951 | 9752 | 9703 | 9509 | 9423 | 3.36 | 3.39 | 3.40 | 3.40 | 3.42 |
| | 17.0 | 10335 | 10128 | 10078 | 9876 | 9787 | 3.35 | 3.38 | 3.39 | 3.39 | 3.41 |
| | 22.0 | 10773 | 10558 | 10505 | 10295 | 10202 | 3.35 | 3.37 | 3.38 | 3.39 | 3.40 |
| | 27.0 | 11212 | 10988 | 10933 | 10714 | 10618 | 3.34 | 3.37 | 3.37 | 3.38 | 3.39 |
| | 32.0 | 11650 | 11417 | 11360 | 11133 | 11033 | 3.33 | 3.36 | 3.37 | 3.37 | 3.39 |
| | 37.0 | 12488 | 12239 | 12177 | 11934 | 11826 | 3.33 | 3.35 | 3.36 | 3.37 | 3.38 |
| | 42.0 | 13925 | 13647 | 13579 | 13307 | 13187 | 3.32 | 3.35 | 3.36 | 3.36 | 3.38 |
| | 44.6 | 14500 | 14210 | 14139 | 13856 | 13732 | 3.32 | 3.35 | 3.35 | 3.36 | 3.37 |
| | 47.0 | 15363 | 15055 | 14980 | 14680 | 14548 | 3.31 | 3.34 | 3.35 | 3.35 | 3.37 |
| | 52.0 | 16800 | 16464 | 16381 | 16054 | 15909 | 3.31 | 3.33 | 3.34 | 3.35 | 3.36 |
| | 57.0 | 18237 | 17872 | 17783 | 17427 | 17270 | 3.30 | 3.33 | 3.33 | 3.34 | 3.35 |
| 62.0 | 19674 | 19280 | 19184 | 18800 | 18631 | 3.29 | 3.32 | 3.33 | 3.33 | 3.35 | |
| 64.4 | 20249 | 19844 | 19744 | 19350 | 19175 | 3.29 | 3.32 | 3.32 | 3.33 | 3.34 | |
| 820 | -22.0 | 8758 | 8583 | 8540 | 8369 | 8294 | 3.49 | 3.52 | 3.53 | 3.54 | 3.55 |
| | -10.0 | 11278 | 11053 | 10998 | 10778 | 10681 | 3.46 | 3.49 | 3.50 | 3.50 | 3.52 |
| | 0.0 | 13379 | 13111 | 13046 | 12785 | 12670 | 3.43 | 3.46 | 3.47 | 3.48 | 3.49 |
| | 5.0 | 14429 | 14140 | 14070 | 13788 | 13664 | 3.42 | 3.45 | 3.46 | 3.46 | 3.48 |
| | 14.0 | 16319 | 15993 | 15913 | 15595 | 15454 | 3.40 | 3.42 | 3.43 | 3.44 | 3.45 |
| | 17.0 | 16949 | 16610 | 16527 | 16197 | 16051 | 3.39 | 3.42 | 3.42 | 3.43 | 3.44 |
| | 22.0 | 17669 | 17315 | 17229 | 16884 | 16732 | 3.38 | 3.41 | 3.42 | 3.42 | 3.44 |
| | 27.0 | 18388 | 18020 | 17930 | 17571 | 17413 | 3.37 | 3.40 | 3.41 | 3.42 | 3.43 |
| | 32.0 | 19107 | 18725 | 18631 | 18258 | 18094 | 3.37 | 3.39 | 3.40 | 3.41 | 3.42 |
| | 37.0 | 20481 | 20071 | 19971 | 19572 | 19395 | 3.36 | 3.39 | 3.39 | 3.40 | 3.42 |
| | 42.0 | 22838 | 22381 | 22269 | 21824 | 21627 | 3.36 | 3.38 | 3.39 | 3.40 | 3.41 |
| | 44.6 | 23780 | 23305 | 23188 | 22725 | 22520 | 3.35 | 3.38 | 3.39 | 3.39 | 3.41 |
| | 47.0 | 25195 | 24691 | 24567 | 24076 | 23859 | 3.35 | 3.37 | 3.38 | 3.39 | 3.40 |
| | 52.0 | 27551 | 27000 | 26865 | 26328 | 26091 | 3.34 | 3.37 | 3.37 | 3.38 | 3.39 |
| | 57.0 | 29908 | 29310 | 29163 | 28580 | 28323 | 3.33 | 3.36 | 3.37 | 3.37 | 3.39 |
| 62.0 | 32265 | 31620 | 31462 | 30832 | 30555 | 3.33 | 3.35 | 3.36 | 3.37 | 3.38 | |
| 64.4 | 33208 | 32544 | 32381 | 31733 | 31448 | 3.32 | 3.35 | 3.36 | 3.36 | 3.38 | |
| 1260 | -22.0 | 13065 | 12804 | 12740 | 12485 | 12373 | 3.53 | 3.56 | 3.57 | 3.57 | 3.59 |
| | -10.0 | 16826 | 16489 | 16407 | 16078 | 15934 | 3.50 | 3.52 | 3.53 | 3.54 | 3.55 |
| | 0.0 | 19959 | 19560 | 19462 | 19073 | 18901 | 3.47 | 3.50 | 3.50 | 3.51 | 3.53 |
| | 5.0 | 21526 | 21095 | 20990 | 20570 | 20385 | 3.46 | 3.48 | 3.49 | 3.50 | 3.51 |
| | 14.0 | 24346 | 23859 | 23739 | 23265 | 23055 | 3.43 | 3.46 | 3.47 | 3.47 | 3.49 |
| | 17.0 | 25286 | 24780 | 24656 | 24163 | 23945 | 3.42 | 3.45 | 3.46 | 3.46 | 3.48 |
| | 22.0 | 26358 | 25831 | 25702 | 25188 | 24961 | 3.42 | 3.44 | 3.45 | 3.46 | 3.47 |
| | 27.0 | 27431 | 26883 | 26748 | 26213 | 25977 | 3.41 | 3.44 | 3.44 | 3.45 | 3.46 |
| | 32.0 | 28504 | 27934 | 27794 | 27238 | 26993 | 3.40 | 3.43 | 3.44 | 3.44 | 3.46 |
| | 37.0 | 30554 | 29943 | 29793 | 29197 | 28935 | 3.39 | 3.42 | 3.43 | 3.44 | 3.45 |
| | 42.0 | 34070 | 33389 | 33222 | 32557 | 32264 | 3.39 | 3.42 | 3.42 | 3.43 | 3.44 |
| | 44.6 | 35476 | 34767 | 34593 | 33901 | 33596 | 3.39 | 3.41 | 3.42 | 3.43 | 3.44 |
| | 47.0 | 37586 | 36834 | 36650 | 35917 | 35594 | 3.38 | 3.41 | 3.42 | 3.42 | 3.44 |
| | 52.0 | 41102 | 40280 | 40079 | 39277 | 38923 | 3.37 | 3.40 | 3.41 | 3.42 | 3.43 |
| | 57.0 | 44618 | 43726 | 43507 | 42637 | 42253 | 3.37 | 3.39 | 3.40 | 3.41 | 3.42 |
| 62.0 | 48134 | 47171 | 46935 | 45997 | 45583 | 3.36 | 3.39 | 3.39 | 3.40 | 3.41 | |
| 64.4 | 49540 | 48549 | 48307 | 47341 | 46914 | 3.36 | 3.38 | 3.39 | 3.40 | 3.41 | |
| 1280 | -22.0 | 12886 | 12629 | 12565 | 12314 | 12203 | 3.56 | 3.59 | 3.60 | 3.61 | 3.62 |
| | -10.0 | 16595 | 16263 | 16182 | 15858 | 15715 | 3.53 | 3.56 | 3.57 | 3.57 | 3.59 |
| | 0.0 | 19685 | 19291 | 19195 | 18811 | 18642 | 3.50 | 3.53 | 3.54 | 3.55 | 3.56 |
| | 5.0 | 21230 | 20806 | 20702 | 20288 | 20105 | 3.49 | 3.52 | 3.53 | 3.53 | 3.55 |
| | 14.0 | 24012 | 23532 | 23414 | 22946 | 22739 | 3.46 | 3.49 | 3.50 | 3.51 | 3.52 |
| | 17.0 | 24939 | 24440 | 24318 | 23832 | 23617 | 3.46 | 3.48 | 3.49 | 3.50 | 3.51 |
| | 22.0 | 25997 | 25477 | 25350 | 24843 | 24619 | 3.45 | 3.48 | 3.48 | 3.49 | 3.51 |
| | 27.0 | 27055 | 26514 | 26381 | 25854 | 25621 | 3.44 | 3.47 | 3.48 | 3.48 | 3.50 |
| | 32.0 | 28113 | 27551 | 27413 | 26865 | 26623 | 3.44 | 3.46 | 3.47 | 3.48 | 3.49 |
| | 37.0 | 30135 | 29532 | 29385 | 28797 | 28538 | 3.43 | 3.46 | 3.46 | 3.47 | 3.48 |
| | 42.0 | 33603 | 32931 | 32766 | 32111 | 31822 | 3.42 | 3.45 | 3.46 | 3.47 | 3.48 |
| | 44.6 | 34990 | 34290 | 34119 | 33436 | 33135 | 3.42 | 3.45 | 3.46 | 3.46 | 3.48 |
| | 47.0 | 37070 | 36329 | 36147 | 35424 | 35106 | 3.41 | 3.44 | 3.45 | 3.46 | 3.47 |
| | 52.0 | 40538 | 39727 | 39529 | 38738 | 38390 | 3.41 | 3.44 | 3.44 | 3.45 | 3.46 |
| | 57.0 | 44006 | 43126 | 42910 | 42052 | 41674 | 3.40 | 3.43 | 3.44 | 3.44 | 3.46 |
| 62.0 | 47474 | 46524 | 46292 | 45366 | 44957 | 3.39 | 3.42 | 3.43 | 3.44 | 3.45 | |
| 64.4 | 48861 | 47884 | 47644 | 46691 | 46271 | 3.39 | 3.42 | 3.43 | 3.43 | 3.45 | |

NOTE: Data highlighted in gray is extrapolated data and not actual test data.

HEATING PERFORMANCE DUCTED

HEATING PERFORMANCE 36R (STANDARD)

DUCTED HEATING PERFORMANCE 36R

| AIRFLOW (CFM) | OUTDOOR DB (°F) | TC : Total Heating Capacity (BTU/hr) | | | | | PI : Power Input (kW) | | | | |
|---------------|-----------------|--------------------------------------|-------|-------|-------|-------|---------------------------|------|-------|------|------|
| | | Indoor Conditions (DB °F) | | | | | Indoor Conditions (DB °F) | | | | |
| | | 60.8 | 68.0 | 70.0 | 71.6 | 75.2 | 60.8 | 68.0 | 70.00 | 71.6 | 75.2 |
| 500 | -22.0 | 6283 | 6157 | 6126 | 6004 | 5950 | 4.07 | 4.10 | 4.11 | 4.12 | 4.14 |
| | -10.0 | 8091 | 7929 | 7889 | 7731 | 7662 | 4.03 | 4.06 | 4.07 | 4.08 | 4.10 |
| | 0.0 | 9597 | 9405 | 9358 | 9171 | 9089 | 4.00 | 4.03 | 4.04 | 4.05 | 4.06 |
| | 5.0 | 10351 | 10144 | 10093 | 9891 | 9802 | 3.98 | 4.02 | 4.02 | 4.03 | 4.05 |
| | 14.0 | 11707 | 11473 | 11415 | 11187 | 11086 | 3.96 | 3.99 | 4.00 | 4.00 | 4.02 |
| | 17.0 | 12159 | 11916 | 11856 | 11619 | 11514 | 3.95 | 3.98 | 3.99 | 3.99 | 4.01 |
| | 22.0 | 12675 | 12421 | 12359 | 12112 | 12003 | 3.94 | 3.97 | 3.98 | 3.99 | 4.00 |
| | 27.0 | 13191 | 12927 | 12862 | 12605 | 12491 | 3.93 | 3.96 | 3.97 | 3.98 | 3.99 |
| | 32.0 | 13706 | 13432 | 13365 | 13098 | 12980 | 3.92 | 3.95 | 3.96 | 3.97 | 3.99 |
| | 37.0 | 14692 | 14398 | 14326 | 14040 | 13913 | 3.91 | 3.95 | 3.95 | 3.96 | 3.98 |
| | 42.0 | 16383 | 16055 | 15975 | 15655 | 15515 | 3.91 | 3.94 | 3.95 | 3.96 | 3.97 |
| | 44.6 | 17059 | 16718 | 16634 | 16302 | 16155 | 3.91 | 3.94 | 3.95 | 3.95 | 3.97 |
| | 47.0 | 18074 | 17712 | 17624 | 17271 | 17116 | 3.90 | 3.93 | 3.94 | 3.95 | 3.96 |
| | 52.0 | 19764 | 19369 | 19272 | 18887 | 18717 | 3.89 | 3.92 | 3.93 | 3.94 | 3.95 |
| | 57.0 | 21455 | 21026 | 20921 | 20502 | 20318 | 3.88 | 3.91 | 3.92 | 3.93 | 3.95 |
| 62.0 | 23146 | 22683 | 22569 | 22118 | 21919 | 3.87 | 3.91 | 3.91 | 3.92 | 3.94 | |
| 64.4 | 23822 | 23345 | 23229 | 22764 | 22559 | 3.87 | 3.90 | 3.91 | 3.92 | 3.93 | |
| 820 | -22.0 | 10304 | 10097 | 10047 | 9846 | 9757 | 4.11 | 4.14 | 4.15 | 4.16 | 4.18 |
| | -10.0 | 13269 | 13003 | 12938 | 12680 | 12565 | 4.07 | 4.11 | 4.11 | 4.12 | 4.14 |
| | 0.0 | 15740 | 15425 | 15348 | 15041 | 14906 | 4.04 | 4.07 | 4.08 | 4.09 | 4.11 |
| | 5.0 | 16975 | 16636 | 16553 | 16222 | 16076 | 4.02 | 4.06 | 4.07 | 4.07 | 4.09 |
| | 14.0 | 19199 | 18815 | 18721 | 18347 | 18182 | 4.00 | 4.03 | 4.04 | 4.04 | 4.06 |
| | 17.0 | 19940 | 19542 | 19444 | 19055 | 18884 | 3.99 | 4.02 | 4.03 | 4.03 | 4.05 |
| | 22.0 | 20787 | 20371 | 20269 | 19864 | 19685 | 3.98 | 4.01 | 4.02 | 4.03 | 4.04 |
| | 27.0 | 21633 | 21200 | 21094 | 20672 | 20486 | 3.97 | 4.00 | 4.01 | 4.02 | 4.03 |
| | 32.0 | 22479 | 22029 | 21919 | 21480 | 21287 | 3.96 | 3.99 | 4.00 | 4.01 | 4.03 |
| | 37.0 | 24095 | 23613 | 23495 | 23025 | 22818 | 3.95 | 3.99 | 3.99 | 4.00 | 4.02 |
| | 42.0 | 26868 | 26331 | 26199 | 25675 | 25444 | 3.95 | 3.98 | 3.99 | 4.00 | 4.01 |
| | 44.6 | 27977 | 27417 | 27280 | 26735 | 26494 | 3.95 | 3.98 | 3.99 | 3.99 | 4.01 |
| | 47.0 | 29641 | 29048 | 28903 | 28325 | 28070 | 3.94 | 3.97 | 3.98 | 3.99 | 4.00 |
| | 52.0 | 32413 | 31765 | 31606 | 30974 | 30695 | 3.93 | 3.96 | 3.97 | 3.98 | 3.99 |
| | 57.0 | 35186 | 34482 | 34310 | 33624 | 33321 | 3.92 | 3.95 | 3.96 | 3.97 | 3.99 |
| 62.0 | 37959 | 37200 | 37014 | 36273 | 35947 | 3.91 | 3.95 | 3.95 | 3.96 | 3.98 | |
| 64.4 | 39068 | 38286 | 38095 | 37333 | 36997 | 3.91 | 3.94 | 3.95 | 3.96 | 3.97 | |
| 1260 | -22.0 | 15371 | 15064 | 14988 | 14689 | 14556 | 4.15 | 4.19 | 4.19 | 4.20 | 4.22 |
| | -10.0 | 19795 | 19399 | 19302 | 18916 | 18746 | 4.11 | 4.15 | 4.16 | 4.16 | 4.18 |
| | 0.0 | 23481 | 23011 | 22896 | 22438 | 22237 | 4.08 | 4.11 | 4.12 | 4.13 | 4.15 |
| | 5.0 | 25324 | 24818 | 24694 | 24200 | 23982 | 4.07 | 4.10 | 4.11 | 4.11 | 4.13 |
| | 14.0 | 28642 | 28069 | 27929 | 27370 | 27124 | 4.04 | 4.07 | 4.08 | 4.08 | 4.10 |
| | 17.0 | 29748 | 29153 | 29007 | 28427 | 28171 | 4.03 | 4.06 | 4.07 | 4.08 | 4.09 |
| | 22.0 | 31010 | 30390 | 30238 | 29633 | 29366 | 4.02 | 4.05 | 4.06 | 4.07 | 4.08 |
| | 27.0 | 32272 | 31627 | 31468 | 30839 | 30562 | 4.01 | 4.04 | 4.05 | 4.06 | 4.08 |
| | 32.0 | 33534 | 32864 | 32699 | 32045 | 31757 | 4.00 | 4.03 | 4.04 | 4.05 | 4.07 |
| | 37.0 | 35946 | 35227 | 35051 | 34350 | 34041 | 3.99 | 4.03 | 4.03 | 4.04 | 4.06 |
| | 42.0 | 40082 | 39281 | 39084 | 38303 | 37958 | 3.99 | 4.02 | 4.03 | 4.04 | 4.05 |
| | 44.6 | 41737 | 40902 | 40698 | 39884 | 39525 | 3.99 | 4.02 | 4.03 | 4.03 | 4.05 |
| | 47.0 | 44219 | 43334 | 43118 | 42255 | 41875 | 3.98 | 4.01 | 4.02 | 4.03 | 4.04 |
| | 52.0 | 48355 | 47388 | 47151 | 46208 | 45792 | 3.97 | 4.00 | 4.01 | 4.02 | 4.03 |
| | 57.0 | 52492 | 51442 | 51185 | 50161 | 49709 | 3.96 | 3.99 | 4.00 | 4.01 | 4.03 |
| 62.0 | 56628 | 55495 | 55218 | 54114 | 53627 | 3.95 | 3.99 | 3.99 | 4.00 | 4.02 | |
| 64.4 | 58283 | 57117 | 56831 | 55695 | 55194 | 3.95 | 3.98 | 3.99 | 4.00 | 4.01 | |
| 1280 | -22.0 | 15160 | 14857 | 14783 | 14487 | 14357 | 4.19 | 4.23 | 4.24 | 4.24 | 4.26 |
| | -10.0 | 19523 | 19133 | 19037 | 18656 | 18488 | 4.15 | 4.19 | 4.20 | 4.21 | 4.22 |
| | 0.0 | 23159 | 22696 | 22582 | 22131 | 21932 | 4.12 | 4.16 | 4.16 | 4.17 | 4.19 |
| | 5.0 | 24977 | 24477 | 24355 | 23868 | 23653 | 4.11 | 4.14 | 4.15 | 4.16 | 4.17 |
| | 14.0 | 28249 | 27684 | 27546 | 26995 | 26752 | 4.08 | 4.11 | 4.12 | 4.13 | 4.14 |
| | 17.0 | 29340 | 28753 | 28609 | 28037 | 27785 | 4.07 | 4.10 | 4.11 | 4.12 | 4.13 |
| | 22.0 | 30585 | 29973 | 29823 | 29227 | 28964 | 4.06 | 4.09 | 4.10 | 4.11 | 4.12 |
| | 27.0 | 31829 | 31193 | 31037 | 30416 | 30142 | 4.05 | 4.08 | 4.09 | 4.10 | 4.12 |
| | 32.0 | 33074 | 32413 | 32251 | 31606 | 31321 | 4.04 | 4.07 | 4.08 | 4.09 | 4.11 |
| | 37.0 | 35453 | 34744 | 34570 | 33879 | 33574 | 4.03 | 4.07 | 4.07 | 4.08 | 4.10 |
| | 42.0 | 39533 | 38742 | 38548 | 37777 | 37437 | 4.03 | 4.06 | 4.07 | 4.08 | 4.09 |
| | 44.6 | 41165 | 40341 | 40140 | 39337 | 38983 | 4.02 | 4.06 | 4.07 | 4.07 | 4.09 |
| | 47.0 | 43612 | 42740 | 42526 | 41676 | 41301 | 4.02 | 4.05 | 4.06 | 4.07 | 4.08 |
| | 52.0 | 47692 | 46738 | 46504 | 45574 | 45164 | 4.01 | 4.04 | 4.05 | 4.06 | 4.07 |
| | 57.0 | 51772 | 50736 | 50483 | 49473 | 49028 | 4.00 | 4.03 | 4.04 | 4.05 | 4.07 |
| 62.0 | 55851 | 54734 | 54461 | 53371 | 52891 | 3.99 | 4.03 | 4.03 | 4.04 | 4.06 | |
| 64.4 | 57483 | 56334 | 56052 | 54931 | 54436 | 3.99 | 4.02 | 4.03 | 4.04 | 4.05 | |

NOTE: Data highlighted in gray is extrapolated data and not actual test data.

Manufacturer reserves the right to change, at any time, specifications and designs without notice and without obligations.

HEATING PERFORMANCE DUCTED

HEATING PERFORMANCE 36HH (HIGH HEAT)

DUCTED HEATING PERFORMANCE 36HH

| AIRFLOW (CFM) | OUTDOOR DB (°F) | TC : Total Heating Capacity (BTU/hr) | | | | | PI : Power Input (kW) | | | | |
|------------------|--------------------|--------------------------------------|-------|-------|-------|-------|---------------------------|------|-------|------|------|
| | | Indoor Conditions (DB °F) | | | | | Indoor Conditions (DB °F) | | | | |
| | | 60.8 | 68.0 | 70.0 | 71.6 | 75.2 | 60.8 | 68.0 | 70.00 | 71.6 | 75.2 |
| 500 | -22.0 | 13998 | 13718 | 13650 | 13377 | 13256 | 5.81 | 5.86 | 5.87 | 5.88 | 5.91 |
| | -10.0 | 14349 | 14062 | 13992 | 13712 | 13588 | 5.57 | 5.62 | 5.63 | 5.64 | 5.66 |
| | 0.0 | 14641 | 14348 | 14276 | 13991 | 13865 | 5.38 | 5.42 | 5.43 | 5.44 | 5.46 |
| | 5.0 | 14787 | 14491 | 14419 | 14130 | 14003 | 5.28 | 5.32 | 5.33 | 5.34 | 5.36 |
| | 14.0 | 15050 | 14749 | 14675 | 14381 | 14252 | 5.10 | 5.14 | 5.15 | 5.16 | 5.18 |
| | 17.0 | 15137 | 14834 | 14760 | 14465 | 14335 | 5.04 | 5.08 | 5.09 | 5.10 | 5.12 |
| | 22.0 | 15215 | 14911 | 14836 | 14540 | 14409 | 4.96 | 5.00 | 5.01 | 5.02 | 5.04 |
| | 27.0 | 15293 | 14987 | 14912 | 14614 | 14482 | 4.88 | 4.92 | 4.93 | 4.94 | 4.96 |
| | 32.0 | 15371 | 15063 | 14988 | 14688 | 14556 | 4.80 | 4.84 | 4.85 | 4.86 | 4.88 |
| | 37.0 | 15860 | 15543 | 15465 | 15156 | 15020 | 4.68 | 4.71 | 4.72 | 4.73 | 4.75 |
| | 42.0 | 16967 | 16628 | 16544 | 16214 | 16068 | 4.52 | 4.56 | 4.57 | 4.58 | 4.60 |
| | 44.6 | 17410 | 17061 | 16976 | 16637 | 16487 | 4.46 | 4.49 | 4.50 | 4.51 | 4.53 |
| | 47.0 | 18074 | 17712 | 17624 | 17271 | 17116 | 4.28 | 4.31 | 4.32 | 4.33 | 4.35 |
| | 52.0 | 19180 | 18797 | 18703 | 18329 | 18164 | 4.08 | 4.11 | 4.12 | 4.13 | 4.15 |
| | 57.0 | 20287 | 19881 | 19782 | 19386 | 19212 | 3.88 | 3.91 | 3.92 | 3.93 | 3.95 |
| | 62.0 | 21394 | 20966 | 20861 | 20444 | 20260 | 3.68 | 3.71 | 3.72 | 3.73 | 3.74 |
| 64.4 | 21836 | 21400 | 21293 | 20867 | 20679 | 3.61 | 3.63 | 3.64 | 3.65 | 3.66 | |
| 820 | -22.0 | 22957 | 22498 | 22386 | 21938 | 21741 | 5.87 | 5.92 | 5.93 | 5.94 | 5.97 |
| | -10.0 | 23532 | 23061 | 22946 | 22487 | 22285 | 5.63 | 5.68 | 5.69 | 5.70 | 5.72 |
| | 0.0 | 24011 | 23531 | 23413 | 22945 | 22738 | 5.43 | 5.47 | 5.49 | 5.50 | 5.52 |
| | 5.0 | 24250 | 23765 | 23647 | 23174 | 22965 | 5.33 | 5.37 | 5.38 | 5.40 | 5.42 |
| | 14.0 | 24681 | 24188 | 24067 | 23585 | 23373 | 5.15 | 5.19 | 5.20 | 5.21 | 5.23 |
| | 17.0 | 24825 | 24329 | 24207 | 23723 | 23509 | 5.09 | 5.13 | 5.14 | 5.15 | 5.17 |
| | 22.0 | 24953 | 24454 | 24331 | 23845 | 23630 | 5.01 | 5.05 | 5.06 | 5.07 | 5.09 |
| | 27.0 | 25080 | 24579 | 24456 | 23967 | 23751 | 4.93 | 4.97 | 4.98 | 4.99 | 5.01 |
| | 32.0 | 25208 | 24704 | 24580 | 24089 | 23872 | 4.85 | 4.89 | 4.90 | 4.91 | 4.93 |
| | 37.0 | 26011 | 25491 | 25363 | 24856 | 24632 | 4.72 | 4.76 | 4.77 | 4.78 | 4.80 |
| | 42.0 | 27826 | 27269 | 27133 | 26590 | 26351 | 4.57 | 4.61 | 4.62 | 4.62 | 4.64 |
| | 44.6 | 28552 | 27981 | 27841 | 27284 | 27038 | 4.50 | 4.54 | 4.55 | 4.56 | 4.58 |
| | 47.0 | 29641 | 29048 | 28903 | 28325 | 28070 | 4.32 | 4.36 | 4.37 | 4.37 | 4.39 |
| | 52.0 | 31456 | 30826 | 30672 | 30059 | 29788 | 4.12 | 4.16 | 4.16 | 4.17 | 4.19 |
| | 57.0 | 33271 | 32605 | 32442 | 31793 | 31507 | 3.92 | 3.95 | 3.96 | 3.97 | 3.99 |
| | 62.0 | 35086 | 34384 | 34212 | 33528 | 33226 | 3.72 | 3.75 | 3.76 | 3.77 | 3.78 |
| 64.4 | 35811 | 35095 | 34920 | 34221 | 33913 | 3.64 | 3.67 | 3.68 | 3.69 | 3.70 | |
| 1260 | -22.0 | 34249 | 33564 | 33396 | 32728 | 32433 | 5.93 | 5.98 | 5.99 | 6.00 | 6.03 |
| | -10.0 | 35106 | 34404 | 34232 | 33547 | 33245 | 5.69 | 5.73 | 5.75 | 5.76 | 5.78 |
| | 0.0 | 35820 | 35104 | 34928 | 34230 | 33922 | 5.49 | 5.53 | 5.54 | 5.55 | 5.57 |
| | 5.0 | 36177 | 35454 | 35277 | 34571 | 34260 | 5.38 | 5.43 | 5.44 | 5.45 | 5.47 |
| | 14.0 | 36820 | 36084 | 35904 | 35186 | 34869 | 5.20 | 5.24 | 5.26 | 5.27 | 5.29 |
| | 17.0 | 37035 | 36294 | 36113 | 35390 | 35072 | 5.14 | 5.18 | 5.19 | 5.20 | 5.23 |
| | 22.0 | 37225 | 36481 | 36298 | 35572 | 35252 | 5.06 | 5.10 | 5.11 | 5.12 | 5.14 |
| | 27.0 | 37416 | 36667 | 36484 | 35754 | 35433 | 4.98 | 5.02 | 5.03 | 5.04 | 5.06 |
| | 32.0 | 37606 | 36854 | 36670 | 35937 | 35613 | 4.90 | 4.94 | 4.95 | 4.96 | 4.98 |
| | 37.0 | 38804 | 38028 | 37837 | 37081 | 36747 | 4.77 | 4.81 | 4.82 | 4.83 | 4.85 |
| | 42.0 | 41511 | 40681 | 40478 | 39668 | 39311 | 4.62 | 4.65 | 4.66 | 4.67 | 4.69 |
| | 44.6 | 42594 | 41742 | 41534 | 40703 | 40337 | 4.55 | 4.58 | 4.59 | 4.60 | 4.62 |
| | 47.0 | 44219 | 43334 | 43118 | 42255 | 41875 | 4.37 | 4.40 | 4.41 | 4.42 | 4.44 |
| | 52.0 | 46926 | 45988 | 45758 | 44843 | 44439 | 4.16 | 4.20 | 4.21 | 4.21 | 4.23 |
| | 57.0 | 49634 | 48641 | 48398 | 47430 | 47003 | 3.96 | 3.99 | 4.00 | 4.01 | 4.03 |
| | 62.0 | 52342 | 51295 | 51038 | 50018 | 49567 | 3.76 | 3.79 | 3.80 | 3.81 | 3.82 |
| 64.4 | 53425 | 52356 | 52094 | 51052 | 50593 | 3.68 | 3.71 | 3.72 | 3.72 | 3.74 | |
| 1280 | -22.0 | 33779 | 33103 | 32938 | 32279 | 31988 | 5.99 | 6.04 | 6.05 | 6.06 | 6.09 |
| | -10.0 | 34624 | 33932 | 33762 | 33087 | 32789 | 5.74 | 5.79 | 5.80 | 5.81 | 5.84 |
| | 0.0 | 35329 | 34622 | 34449 | 33760 | 33456 | 5.54 | 5.59 | 5.60 | 5.61 | 5.63 |
| | 5.0 | 35681 | 34968 | 34793 | 34097 | 33790 | 5.44 | 5.48 | 5.49 | 5.50 | 5.53 |
| | 14.0 | 36315 | 35589 | 35411 | 34703 | 34391 | 5.25 | 5.30 | 5.31 | 5.32 | 5.34 |
| | 17.0 | 36527 | 35796 | 35617 | 34905 | 34591 | 5.19 | 5.24 | 5.25 | 5.26 | 5.28 |
| | 22.0 | 36715 | 35980 | 35801 | 35085 | 34769 | 5.11 | 5.15 | 5.16 | 5.17 | 5.19 |
| | 27.0 | 36903 | 36165 | 35984 | 35264 | 34947 | 5.03 | 5.07 | 5.08 | 5.09 | 5.11 |
| | 32.0 | 37091 | 36349 | 36167 | 35444 | 35125 | 4.95 | 4.99 | 5.00 | 5.01 | 5.03 |
| | 37.0 | 38271 | 37506 | 37318 | 36572 | 36243 | 4.82 | 4.86 | 4.87 | 4.88 | 4.90 |
| | 42.0 | 40942 | 40123 | 39922 | 39124 | 38772 | 4.66 | 4.70 | 4.71 | 4.72 | 4.74 |
| | 44.6 | 42010 | 41170 | 40964 | 40145 | 39783 | 4.59 | 4.63 | 4.64 | 4.65 | 4.67 |
| | 47.0 | 43612 | 42740 | 42526 | 41676 | 41301 | 4.41 | 4.45 | 4.45 | 4.46 | 4.48 |
| | 52.0 | 46283 | 45357 | 45130 | 44228 | 43830 | 4.21 | 4.24 | 4.25 | 4.26 | 4.27 |
| | 57.0 | 48953 | 47974 | 47734 | 46780 | 46359 | 4.00 | 4.03 | 4.04 | 4.05 | 4.07 |
| | 62.0 | 51624 | 50591 | 50338 | 49332 | 48888 | 3.80 | 3.83 | 3.84 | 3.84 | 3.86 |
| 64.4 | 52692 | 51638 | 51380 | 50352 | 49899 | 3.72 | 3.75 | 3.75 | 3.76 | 3.78 | |

NOTE: Data highlighted in gray is extrapolated data and not actual test data.

Manufacturer reserves the right to change, at any time, specifications and designs without notice and without obligations.

HEATING PERFORMANCE DUCTED

HEATING PERFORMANCE 48R (STANDARD)

DUCTED HEATING PERFORMANCE 48R

| AIRFLOW (CFM) | OUTDOOR DB (°F) | TC : Total Heating Capacity (BTU/hr) | | | | | PI : Power Input (kW) | | | | |
|---------------|-----------------|--------------------------------------|-------|-------|-------|-------|---------------------------|------|-------|------|------|
| | | Indoor Conditions (DB °F) | | | | | Indoor Conditions (DB °F) | | | | |
| | | 60.8 | 68.0 | 70.0 | 71.6 | 75.2 | 60.8 | 68.0 | 70.00 | 71.6 | 75.2 |
| 625 | -22.0 | 9856 | 9659 | 9610 | 9418 | 9333 | 5.90 | 5.95 | 5.96 | 5.97 | 5.99 |
| | -10.0 | 11500 | 11270 | 11213 | 10989 | 10890 | 5.55 | 5.59 | 5.60 | 5.61 | 5.64 |
| | 0.0 | 12870 | 12612 | 12549 | 12298 | 12188 | 5.25 | 5.30 | 5.31 | 5.32 | 5.34 |
| | 5.0 | 13555 | 13284 | 13217 | 12953 | 12836 | 5.11 | 5.15 | 5.16 | 5.17 | 5.19 |
| | 14.0 | 14788 | 14492 | 14420 | 14131 | 14004 | 4.84 | 4.88 | 4.89 | 4.90 | 4.92 |
| | 17.0 | 15199 | 14895 | 14820 | 14524 | 14393 | 4.75 | 4.79 | 4.80 | 4.81 | 4.83 |
| | 22.0 | 15454 | 15145 | 15069 | 14768 | 14635 | 4.73 | 4.77 | 4.78 | 4.79 | 4.80 |
| | 27.0 | 15710 | 15396 | 15319 | 15012 | 14877 | 4.70 | 4.74 | 4.75 | 4.76 | 4.78 |
| | 32.0 | 15965 | 15646 | 15568 | 15256 | 15119 | 4.68 | 4.71 | 4.72 | 4.73 | 4.75 |
| | 37.0 | 16992 | 16652 | 16569 | 16238 | 16091 | 4.64 | 4.68 | 4.69 | 4.70 | 4.72 |
| | 42.0 | 19176 | 18793 | 18699 | 18325 | 18160 | 4.61 | 4.65 | 4.66 | 4.67 | 4.69 |
| | 44.6 | 20050 | 19649 | 19551 | 19160 | 18987 | 4.60 | 4.64 | 4.65 | 4.66 | 4.67 |
| | 47.0 | 21360 | 20933 | 20828 | 20412 | 20228 | 4.56 | 4.60 | 4.61 | 4.62 | 4.64 |
| | 52.0 | 23544 | 23074 | 22958 | 22499 | 22297 | 4.52 | 4.56 | 4.57 | 4.58 | 4.60 |
| | 57.0 | 25729 | 25214 | 25088 | 24586 | 24365 | 4.49 | 4.52 | 4.53 | 4.54 | 4.56 |
| 62.0 | 27913 | 27355 | 27218 | 26673 | 26433 | 4.45 | 4.48 | 4.49 | 4.50 | 4.52 | |
| 64.4 | 28786 | 28211 | 28070 | 27508 | 27261 | 4.43 | 4.47 | 4.47 | 4.48 | 4.50 | |
| 1025 | -22.0 | 16163 | 15840 | 15761 | 15446 | 15307 | 5.96 | 6.01 | 6.02 | 6.03 | 6.05 |
| | -10.0 | 18860 | 18482 | 18390 | 18022 | 17860 | 5.60 | 5.65 | 5.66 | 5.67 | 5.69 |
| | 0.0 | 21106 | 20684 | 20581 | 20169 | 19988 | 5.31 | 5.35 | 5.36 | 5.37 | 5.39 |
| | 5.0 | 22230 | 21785 | 21676 | 21243 | 21052 | 5.16 | 5.20 | 5.21 | 5.22 | 5.24 |
| | 14.0 | 24252 | 23767 | 23648 | 23175 | 22967 | 4.89 | 4.93 | 4.94 | 4.95 | 4.97 |
| | 17.0 | 24926 | 24428 | 24306 | 23819 | 23605 | 4.80 | 4.84 | 4.85 | 4.86 | 4.88 |
| | 22.0 | 25345 | 24838 | 24714 | 24220 | 24002 | 4.78 | 4.81 | 4.82 | 4.83 | 4.85 |
| | 27.0 | 25764 | 25249 | 25122 | 24620 | 24398 | 4.75 | 4.79 | 4.80 | 4.81 | 4.83 |
| | 32.0 | 26183 | 25659 | 25531 | 25020 | 24795 | 4.72 | 4.76 | 4.77 | 4.78 | 4.80 |
| | 37.0 | 27867 | 27310 | 27173 | 26630 | 26390 | 4.69 | 4.73 | 4.74 | 4.75 | 4.77 |
| | 42.0 | 31449 | 30820 | 30666 | 30053 | 29782 | 4.66 | 4.70 | 4.71 | 4.72 | 4.74 |
| | 44.6 | 32882 | 32224 | 32063 | 31422 | 31139 | 4.65 | 4.68 | 4.69 | 4.70 | 4.72 |
| | 47.0 | 35031 | 34330 | 34159 | 33475 | 33174 | 4.61 | 4.65 | 4.66 | 4.67 | 4.69 |
| | 52.0 | 38613 | 37841 | 37651 | 36898 | 36566 | 4.57 | 4.61 | 4.62 | 4.63 | 4.64 |
| | 57.0 | 42195 | 41351 | 41144 | 40321 | 39959 | 4.53 | 4.57 | 4.58 | 4.59 | 4.60 |
| 62.0 | 45777 | 44861 | 44637 | 43744 | 43351 | 4.49 | 4.53 | 4.54 | 4.54 | 4.56 | |
| 64.4 | 47210 | 46266 | 46034 | 45114 | 44708 | 4.47 | 4.51 | 4.52 | 4.53 | 4.55 | |
| 1575 | -22.0 | 24113 | 23631 | 23512 | 23042 | 22835 | 6.02 | 6.07 | 6.08 | 6.09 | 6.12 |
| | -10.0 | 28135 | 27573 | 27435 | 26886 | 26644 | 5.66 | 5.70 | 5.72 | 5.73 | 5.75 |
| | 0.0 | 31487 | 30858 | 30703 | 30089 | 29818 | 5.36 | 5.40 | 5.41 | 5.42 | 5.45 |
| | 5.0 | 33163 | 32500 | 32338 | 31691 | 31406 | 5.21 | 5.25 | 5.26 | 5.27 | 5.29 |
| | 14.0 | 36180 | 35456 | 35279 | 34574 | 34262 | 4.94 | 4.98 | 4.99 | 5.00 | 5.02 |
| | 17.0 | 37186 | 36442 | 36260 | 35535 | 35215 | 4.85 | 4.89 | 4.90 | 4.91 | 4.93 |
| | 22.0 | 37811 | 37054 | 36869 | 36132 | 35806 | 4.82 | 4.86 | 4.87 | 4.88 | 4.90 |
| | 27.0 | 38435 | 37667 | 37478 | 36729 | 36398 | 4.80 | 4.84 | 4.85 | 4.86 | 4.87 |
| | 32.0 | 39060 | 38279 | 38088 | 37326 | 36990 | 4.77 | 4.81 | 4.82 | 4.83 | 4.85 |
| | 37.0 | 41573 | 40741 | 40538 | 39727 | 39369 | 4.74 | 4.78 | 4.79 | 4.80 | 4.81 |
| | 42.0 | 46916 | 45978 | 45748 | 44833 | 44430 | 4.71 | 4.74 | 4.75 | 4.76 | 4.78 |
| | 44.6 | 49054 | 48073 | 47832 | 46876 | 46454 | 4.69 | 4.73 | 4.74 | 4.75 | 4.77 |
| | 47.0 | 52260 | 51215 | 50959 | 49940 | 49490 | 4.66 | 4.69 | 4.70 | 4.71 | 4.73 |
| | 52.0 | 57604 | 56452 | 56170 | 55046 | 54551 | 4.62 | 4.65 | 4.66 | 4.67 | 4.69 |
| | 57.0 | 62948 | 61689 | 61380 | 60153 | 59611 | 4.58 | 4.61 | 4.62 | 4.63 | 4.65 |
| 62.0 | 68291 | 66926 | 66591 | 65259 | 64672 | 4.54 | 4.57 | 4.58 | 4.59 | 4.61 | |
| 64.4 | 70429 | 69020 | 68675 | 67302 | 66696 | 4.52 | 4.56 | 4.57 | 4.57 | 4.59 | |
| 1600 | -22.0 | 23782 | 23307 | 23190 | 22726 | 22522 | 6.08 | 6.13 | 6.14 | 6.15 | 6.18 |
| | -10.0 | 27749 | 27194 | 27058 | 26517 | 26279 | 5.72 | 5.76 | 5.77 | 5.78 | 5.81 |
| | 0.0 | 31055 | 30434 | 30282 | 29676 | 29409 | 5.41 | 5.46 | 5.47 | 5.48 | 5.50 |
| | 5.0 | 32708 | 32054 | 31894 | 31256 | 30975 | 5.26 | 5.30 | 5.32 | 5.33 | 5.35 |
| | 14.0 | 35684 | 34970 | 34795 | 34099 | 33793 | 4.99 | 5.03 | 5.04 | 5.05 | 5.07 |
| | 17.0 | 36676 | 35942 | 35762 | 35047 | 34732 | 4.90 | 4.94 | 4.95 | 4.96 | 4.98 |
| | 22.0 | 37292 | 36546 | 36363 | 35636 | 35315 | 4.87 | 4.91 | 4.92 | 4.93 | 4.95 |
| | 27.0 | 37908 | 37150 | 36964 | 36225 | 35899 | 4.85 | 4.88 | 4.89 | 4.90 | 4.92 |
| | 32.0 | 38525 | 37754 | 37565 | 36814 | 36483 | 4.82 | 4.86 | 4.87 | 4.88 | 4.90 |
| | 37.0 | 41002 | 40182 | 39982 | 39182 | 38829 | 4.79 | 4.82 | 4.83 | 4.84 | 4.86 |
| | 42.0 | 46273 | 45347 | 45121 | 44218 | 43820 | 4.75 | 4.79 | 4.80 | 4.81 | 4.83 |
| | 44.6 | 48381 | 47414 | 47176 | 46233 | 45817 | 4.74 | 4.78 | 4.79 | 4.80 | 4.82 |
| | 47.0 | 51543 | 50513 | 50260 | 49255 | 48811 | 4.70 | 4.74 | 4.75 | 4.76 | 4.78 |
| | 52.0 | 56814 | 55678 | 55399 | 54291 | 53803 | 4.66 | 4.70 | 4.71 | 4.72 | 4.74 |
| | 57.0 | 62084 | 60843 | 60538 | 59328 | 58794 | 4.62 | 4.66 | 4.67 | 4.68 | 4.70 |
| 62.0 | 67355 | 66008 | 65678 | 64364 | 63785 | 4.58 | 4.62 | 4.63 | 4.64 | 4.66 | |
| 64.4 | 69463 | 68074 | 67733 | 66379 | 65781 | 4.56 | 4.60 | 4.61 | 4.62 | 4.64 | |

NOTE: Data highlighted in gray is extrapolated data and not actual test data.

HEATING PERFORMANCE DUCTED

HEATING PERFORMANCE 48HH (HIGH HEAT)

DUCTED HEATING PERFORMANCE 48HH

| AIRFLOW (CFM) | OUTDOOR DB (°F) | TC : Total Heating Capacity (BTU/hr) | | | | | PI : Power Input (kW) | | | | |
|------------------|--------------------|--------------------------------------|-------|-------|-------|-------|---------------------------|------|-------|------|------|
| | | Indoor Conditions (DB °F) | | | | | Indoor Conditions (DB °F) | | | | |
| | | 60.8 | 68.0 | 70.0 | 71.6 | 75.2 | 60.8 | 68.0 | 70.00 | 71.6 | 75.2 |
| 625 | -22.0 | 17628 | 17275 | 17189 | 16845 | 16694 | 6.01 | 6.06 | 6.08 | 6.09 | 6.11 |
| | -10.0 | 17891 | 17534 | 17446 | 17097 | 16943 | 5.92 | 5.97 | 5.98 | 5.99 | 6.02 |
| | 0.0 | 18111 | 17749 | 17660 | 17307 | 17151 | 5.84 | 5.89 | 5.90 | 5.91 | 5.93 |
| | 5.0 | 18221 | 17856 | 17767 | 17412 | 17255 | 5.80 | 5.85 | 5.86 | 5.87 | 5.89 |
| | 14.0 | 18418 | 18050 | 17960 | 17601 | 17442 | 5.73 | 5.78 | 5.79 | 5.80 | 5.82 |
| | 17.0 | 18484 | 18115 | 18024 | 17664 | 17505 | 5.71 | 5.75 | 5.76 | 5.77 | 5.80 |
| | 22.0 | 18800 | 18424 | 18332 | 17966 | 17804 | 5.68 | 5.72 | 5.74 | 5.75 | 5.77 |
| | 27.0 | 19117 | 18734 | 18641 | 18268 | 18103 | 5.65 | 5.70 | 5.71 | 5.72 | 5.74 |
| | 32.0 | 19433 | 19044 | 18949 | 18570 | 18403 | 5.63 | 5.67 | 5.68 | 5.69 | 5.72 |
| | 37.0 | 20323 | 19916 | 19817 | 19420 | 19246 | 5.55 | 5.59 | 5.60 | 5.61 | 5.64 |
| | 42.0 | 22073 | 21632 | 21524 | 21093 | 20904 | 5.43 | 5.47 | 5.48 | 5.49 | 5.51 |
| | 44.6 | 22774 | 22318 | 22207 | 21763 | 21567 | 5.37 | 5.42 | 5.43 | 5.44 | 5.46 |
| | 47.0 | 23824 | 23348 | 23231 | 22766 | 22562 | 5.23 | 5.27 | 5.28 | 5.29 | 5.31 |
| | 52.0 | 25575 | 25064 | 24938 | 24440 | 24220 | 5.07 | 5.11 | 5.12 | 5.13 | 5.15 |
| | 57.0 | 27326 | 26779 | 26646 | 26113 | 25878 | 4.91 | 4.95 | 4.96 | 4.97 | 4.99 |
| | 62.0 | 29077 | 28495 | 28353 | 27786 | 27536 | 4.75 | 4.79 | 4.80 | 4.81 | 4.83 |
| 64.4 | 29777 | 29182 | 29036 | 28455 | 28199 | 4.69 | 4.73 | 4.74 | 4.75 | 4.77 | |
| 1025 | -22.0 | 28910 | 28332 | 28190 | 27626 | 27377 | 6.08 | 6.12 | 6.14 | 6.15 | 6.17 |
| | -10.0 | 29342 | 28755 | 28611 | 28039 | 27787 | 5.98 | 6.03 | 6.04 | 6.05 | 6.08 |
| | 0.0 | 29702 | 29108 | 28962 | 28383 | 28128 | 5.90 | 5.95 | 5.96 | 5.97 | 5.99 |
| | 5.0 | 29882 | 29284 | 29138 | 28555 | 28298 | 5.86 | 5.91 | 5.92 | 5.93 | 5.95 |
| | 14.0 | 30206 | 29602 | 29454 | 28865 | 28605 | 5.79 | 5.83 | 5.85 | 5.86 | 5.88 |
| | 17.0 | 30314 | 29708 | 29559 | 28968 | 28707 | 5.76 | 5.81 | 5.82 | 5.83 | 5.86 |
| | 22.0 | 30833 | 30216 | 30065 | 29464 | 29198 | 5.74 | 5.78 | 5.79 | 5.81 | 5.83 |
| | 27.0 | 31351 | 30724 | 30570 | 29959 | 29689 | 5.71 | 5.76 | 5.77 | 5.78 | 5.80 |
| | 32.0 | 31870 | 31232 | 31076 | 30454 | 30180 | 5.68 | 5.73 | 5.74 | 5.75 | 5.77 |
| | 37.0 | 33329 | 32663 | 32499 | 31849 | 31563 | 5.60 | 5.65 | 5.66 | 5.67 | 5.69 |
| | 42.0 | 36201 | 35477 | 35299 | 34593 | 34282 | 5.48 | 5.52 | 5.54 | 5.55 | 5.57 |
| | 44.6 | 37349 | 36602 | 36419 | 35691 | 35369 | 5.43 | 5.47 | 5.48 | 5.49 | 5.51 |
| | 47.0 | 39072 | 38290 | 38099 | 37337 | 37001 | 5.28 | 5.33 | 5.34 | 5.35 | 5.37 |
| | 52.0 | 41943 | 41104 | 40899 | 40081 | 39720 | 5.12 | 5.16 | 5.17 | 5.18 | 5.21 |
| | 57.0 | 44815 | 43918 | 43699 | 42825 | 42439 | 4.96 | 5.00 | 5.01 | 5.02 | 5.04 |
| | 62.0 | 47686 | 46732 | 46499 | 45569 | 45158 | 4.80 | 4.84 | 4.85 | 4.86 | 4.88 |
| 64.4 | 48834 | 47858 | 47619 | 46666 | 46246 | 4.74 | 4.78 | 4.79 | 4.80 | 4.82 | |
| 1575 | -22.0 | 43128 | 42266 | 42054 | 41213 | 40842 | 6.14 | 6.19 | 6.20 | 6.21 | 6.24 |
| | -10.0 | 43773 | 42898 | 42683 | 41829 | 41453 | 6.04 | 6.09 | 6.10 | 6.11 | 6.14 |
| | 0.0 | 44310 | 43424 | 43207 | 42343 | 41962 | 5.96 | 6.01 | 6.02 | 6.03 | 6.06 |
| | 5.0 | 44579 | 43687 | 43469 | 42600 | 42216 | 5.92 | 5.97 | 5.98 | 5.99 | 6.01 |
| | 14.0 | 45062 | 44161 | 43940 | 43062 | 42674 | 5.85 | 5.89 | 5.90 | 5.92 | 5.94 |
| | 17.0 | 45224 | 44319 | 44098 | 43216 | 42827 | 5.82 | 5.87 | 5.88 | 5.89 | 5.92 |
| | 22.0 | 45997 | 45077 | 44852 | 43955 | 43559 | 5.79 | 5.84 | 5.85 | 5.86 | 5.89 |
| | 27.0 | 46770 | 45835 | 45606 | 44694 | 44292 | 5.77 | 5.81 | 5.83 | 5.84 | 5.86 |
| | 32.0 | 47544 | 46593 | 46360 | 45433 | 45024 | 5.74 | 5.79 | 5.80 | 5.81 | 5.83 |
| | 37.0 | 49721 | 48727 | 48483 | 47514 | 47086 | 5.66 | 5.71 | 5.72 | 5.73 | 5.75 |
| | 42.0 | 54005 | 52925 | 52660 | 51607 | 51143 | 5.54 | 5.58 | 5.59 | 5.60 | 5.63 |
| | 44.6 | 55718 | 54604 | 54331 | 53244 | 52765 | 5.48 | 5.53 | 5.54 | 5.55 | 5.57 |
| | 47.0 | 58289 | 57123 | 56837 | 55700 | 55199 | 5.34 | 5.38 | 5.39 | 5.40 | 5.42 |
| | 52.0 | 62572 | 61321 | 61014 | 59794 | 59256 | 5.17 | 5.22 | 5.23 | 5.24 | 5.26 |
| | 57.0 | 66856 | 65519 | 65191 | 63887 | 63312 | 5.01 | 5.05 | 5.06 | 5.07 | 5.09 |
| | 62.0 | 71139 | 69717 | 69368 | 67981 | 67369 | 4.85 | 4.89 | 4.90 | 4.91 | 4.93 |
| 64.4 | 72853 | 71396 | 71039 | 69618 | 68991 | 4.79 | 4.82 | 4.83 | 4.84 | 4.86 | |
| 1600 | -22.0 | 42537 | 41686 | 41478 | 40648 | 40282 | 6.20 | 6.25 | 6.26 | 6.27 | 6.30 |
| | -10.0 | 43173 | 42309 | 42098 | 41256 | 40884 | 6.10 | 6.15 | 6.16 | 6.17 | 6.20 |
| | 0.0 | 43703 | 42828 | 42614 | 41762 | 41386 | 6.02 | 6.07 | 6.08 | 6.09 | 6.12 |
| | 5.0 | 43967 | 43088 | 42873 | 42015 | 41637 | 5.98 | 6.03 | 6.04 | 6.05 | 6.07 |
| | 14.0 | 44444 | 43555 | 43338 | 42471 | 42089 | 5.90 | 5.95 | 5.96 | 5.98 | 6.00 |
| | 17.0 | 44603 | 43711 | 43493 | 42623 | 42239 | 5.88 | 5.93 | 5.94 | 5.95 | 5.97 |
| | 22.0 | 45366 | 44459 | 44237 | 43352 | 42962 | 5.85 | 5.90 | 5.91 | 5.92 | 5.95 |
| | 27.0 | 46129 | 45206 | 44980 | 44081 | 43684 | 5.82 | 5.87 | 5.88 | 5.90 | 5.92 |
| | 32.0 | 46892 | 45954 | 45724 | 44810 | 44406 | 5.80 | 5.84 | 5.86 | 5.87 | 5.89 |
| | 37.0 | 49040 | 48059 | 47818 | 46862 | 46440 | 5.72 | 5.76 | 5.77 | 5.79 | 5.81 |
| | 42.0 | 53264 | 52199 | 51938 | 50899 | 50441 | 5.59 | 5.64 | 5.65 | 5.66 | 5.68 |
| | 44.6 | 54954 | 53855 | 53586 | 52514 | 52042 | 5.54 | 5.58 | 5.59 | 5.60 | 5.63 |
| | 47.0 | 57489 | 56339 | 56058 | 54937 | 54442 | 5.39 | 5.43 | 5.44 | 5.45 | 5.48 |
| | 52.0 | 61714 | 60480 | 60177 | 58974 | 58443 | 5.23 | 5.27 | 5.28 | 5.29 | 5.31 |
| | 57.0 | 65939 | 64620 | 64297 | 63011 | 62444 | 5.06 | 5.10 | 5.11 | 5.12 | 5.14 |
| | 62.0 | 70164 | 68760 | 68417 | 67048 | 66445 | 4.90 | 4.94 | 4.95 | 4.96 | 4.98 |
| 64.4 | 71854 | 70416 | 70064 | 68663 | 68045 | 4.83 | 4.87 | 4.88 | 4.89 | 4.91 | |

NOTE: Data highlighted in gray is extrapolated data and not actual test data.

Manufacturer reserves the right to change, at any time, specifications and designs without notice and without obligations.

APPLICATION DATA

Unit Selection

When selecting a variable speed system, match the system capacity range to the anticipated load range. Since a variable speed system can accommodate a wide range of loads it is important to understand the percentage of time that the system will be required to run at both the maximum and the minimum load points. This differential is most evident when a residential application is compared with a commercial application.

Generally there is more load diversification in the residential application (shifting from a low load to a high load). The commercial application tends to be steadier during the normal day time hours, and will drop to low load levels after normal business hours. If it is anticipated that the system needs to run at the maximum load point for the majority of the time, the next larger system capacity should be selected.

The Application table below provides a guideline for selecting the appropriate size for the application.

NOTE: See the note on page 134 regarding selection of 30R or 36R Air Handling Units (AHUs) in multi-zone applications.

NOTE: Refer to the most current version of the compatibility chart for a list of the approved indoor units for each outdoor size.

| | NO. ZONES | COOLING CAPACITY (BTU/H) | | | | | HEATING CAPACITY (BTU/H) | | | | |
|--------------------|-----------|--------------------------|--------|--------|--------|--------|--------------------------|--------|--------|--------|--------|
| | | ZONE 1 | ZONE 2 | ZONE 3 | ZONE 4 | ZONE 5 | ZONE 1 | ZONE 2 | ZONE 3 | ZONE 4 | ZONE 5 |
| 18R - Regular Heat | | | | | | | | | | | |
| 6+6 | 2 - Zone | 6,000 | 6,000 | | | | 6,300 | 6,300 | | | |
| 6+9 | | 6,000 | 9,000 | | | | 6,300 | 9,500 | | | |
| 6+12 | | 6,000 | 12,000 | | | | 6,300 | 12,700 | | | |
| 9+9 | | 9,000 | 9,000 | | | | 9,500 | 9,500 | | | |
| 9+12 | | 9,000 | 12,000 | | | | 9,500 | 12,700 | | | |
| 12+12 | | 11,200 | 11,200 | | | | 11,800 | 11,800 | | | |
| 24HH - High Heat | | | | | | | | | | | |
| 6+6 | 2 - Zone | 8,000 | 8,000 | | | | 8,200 | 8,200 | | | |
| 6+9 | | 6,400 | 9,500 | | | | 6,500 | 9,700 | | | |
| 6+12 | | 6,000 | 12,000 | | | | 6,100 | 12,300 | | | |
| 6+18 | | 6,000 | 18,000 | | | | 6,100 | 18,400 | | | |
| 9+9 | | 9,000 | 9,000 | | | | 9,200 | 9,200 | | | |
| 9+12 | | 9,000 | 12,000 | | | | 9,200 | 12,300 | | | |
| 9+18 | | 9,000 | 18,000 | | | | 9,200 | 18,400 | | | |
| 12+12 | | 12,000 | 12,000 | | | | 12,300 | 12,300 | | | |
| 12+18 | | 12,000 | 18,000 | | | | 12,300 | 18,400 | | | |
| 18+18 | | 15,600 | 15,600 | | | | 15,900 | 15,900 | | | |
| 6+6+6 | 3 - Zone | 6,000 | 6,000 | 6,000 | | | 6,100 | 6,100 | 6,100 | | |
| 6+6+9 | | 6,000 | 6,000 | 9,000 | | | 6,100 | 6,100 | 9,200 | | |
| 6+6+12 | | 6,000 | 6,000 | 12,000 | | | 6,100 | 6,100 | 12,300 | | |
| 6+6+18 | | 6,000 | 6,000 | 18,000 | | | 6,100 | 6,100 | 18,400 | | |
| 6+9+9 | | 6,000 | 9,000 | 9,000 | | | 6,100 | 9,200 | 9,200 | | |
| 6+9+12 | | 6,000 | 9,000 | 12,000 | | | 6,100 | 9,200 | 12,300 | | |
| 6+9+18 | | 5,700 | 8,500 | 17,000 | | | 5,800 | 8,700 | 17,400 | | |
| 6+12+12 | | 6,000 | 12,000 | 12,000 | | | 6,100 | 12,300 | 12,300 | | |
| 9+9+9 | | 9,000 | 9,000 | 9,000 | | | 9,200 | 9,200 | 9,200 | | |
| 9+9+12 | | 9,000 | 9,000 | 12,000 | | | 9,200 | 9,200 | 12,300 | | |
| 9+9+18 | | 7,800 | 7,800 | 15,600 | | | 8,000 | 8,000 | 15,900 | | |
| 9+12+12 | | 8,500 | 11,400 | 11,400 | | | 8,700 | 11,600 | 11,600 | | |
| 12+12+12 | | 10,400 | 10,400 | 10,400 | | | 10,600 | 10,600 | 10,600 | | |
| 30HH - High Heat | | | | | | | | | | | |
| 6+9 | 2 - Zone | 7,900 | 11,900 | | | | 7,900 | 11,900 | | | |
| 6+12 | | 6,600 | 13,200 | | | | 6,600 | 13,200 | | | |
| 6+18 | | 6,000 | 18,000 | | | | 6,000 | 18,000 | | | |
| 6+24 | | 6,000 | 24,000 | | | | 6,000 | 24,000 | | | |
| 9+9 | | 9,900 | 9,900 | | | | 9,900 | 9,900 | | | |
| 9+12 | | 9,000 | 12,000 | | | | 9,000 | 12,000 | | | |
| 9+18 | | 9,000 | 18,000 | | | | 9,000 | 18,000 | | | |
| 9+24 | | 9,000 | 24,000 | | | | 9,000 | 24,000 | | | |
| 12+12 | | 12,000 | 12,000 | | | | 12,000 | 12,000 | | | |
| 12+18 | | 12,000 | 18,000 | | | | 12,000 | 18,000 | | | |
| 12+24 | | 12,000 | 24,000 | | | | 12,000 | 24,000 | | | |
| 18+18 | | 18,000 | 18,000 | | | | 18,000 | 18,000 | | | |

| | NO. ZONES | COOLING CAPACITY (BTU/H) | | | | | HEATING CAPACITY (BTU/H) | | | | |
|-------------|-----------|--------------------------|--------|--------|--------|--------|--------------------------|--------|--------|--------|--------|
| | | ZONE 1 | ZONE 2 | ZONE 3 | ZONE 4 | ZONE 5 | ZONE 1 | ZONE 2 | ZONE 3 | ZONE 4 | ZONE 5 |
| 6+6+6 | 3 - Zone | 6,600 | 6,600 | 6,600 | | | 6,600 | 6,600 | 6,600 | | |
| 6+6+9 | | 6,000 | 6,000 | 9,000 | | | 6,000 | 6,000 | 9,000 | | |
| 6+6+12 | | 6,000 | 6,000 | 12,000 | | | 6,000 | 6,000 | 12,000 | | |
| 6+6+18 | | 6,000 | 6,000 | 18,000 | | | 6,000 | 6,000 | 18,000 | | |
| 6+6+24 | | 6,000 | 6,000 | 24,000 | | | 6,000 | 6,000 | 24,000 | | |
| 6+9+9 | | 6,000 | 9,000 | 9,000 | | | 6,000 | 9,000 | 9,000 | | |
| 6+9+12 | | 6,000 | 9,000 | 12,000 | | | 6,000 | 9,000 | 12,000 | | |
| 6+9+18 | | 6,000 | 9,000 | 18,000 | | | 6,000 | 9,000 | 18,000 | | |
| 6+9+24 | | 6,000 | 9,000 | 24,000 | | | 6,000 | 9,000 | 24,000 | | |
| 6+12+12 | | 6,000 | 12,000 | 12,000 | | | 6,000 | 12,000 | 12,000 | | |
| 6+12+18 | | 6,000 | 12,000 | 18,000 | | | 6,000 | 12,000 | 18,000 | | |
| 6+12+24 | | 5,700 | 11,400 | 22,800 | | | 5,700 | 11,400 | 22,800 | | |
| 6+18+18 | | 5,700 | 17,100 | 17,100 | | | 5,700 | 17,100 | 17,100 | | |
| 6+18+24 | | 4,900 | 14,800 | 19,700 | | | 4,900 | 14,800 | 19,700 | | |
| 9+9+9 | | 9,000 | 9,000 | 9,000 | | | 9,000 | 9,000 | 9,000 | | |
| 9+9+12 | | 9,000 | 9,000 | 12,000 | | | 9,000 | 9,000 | 12,000 | | |
| 9+9+18 | | 9,000 | 9,000 | 18,000 | | | 9,000 | 9,000 | 18,000 | | |
| 9+9+24 | | 8,600 | 8,600 | 17,100 | | | 8,600 | 8,600 | 17,100 | | |
| 9+12+12 | | 9,000 | 12,000 | 12,000 | | | 9,000 | 12,000 | 12,000 | | |
| 9+12+18 | | 9,000 | 12,000 | 18,000 | | | 9,000 | 12,000 | 18,000 | | |
| 9+12+24 | | 8,000 | 10,600 | 5,300 | | | 8,000 | 10,600 | 5,300 | | |
| 9+18+18 | | 8,000 | 16,000 | 5,300 | | | 8,000 | 16,000 | 5,300 | | |
| 12+12+12 | | 12,000 | 12,000 | 12,000 | | | 12,000 | 12,000 | 12,000 | | |
| 12+12+18 | | 11,300 | 11,300 | 16,900 | | | 11,300 | 11,300 | 16,900 | | |
| 12+18+18 | 9,900 | 14,800 | 14,800 | | | 9,900 | 14,800 | 14,800 | | | |
| 12+12+24 | 9,900 | 9,900 | 19,700 | | | 9,900 | 9,900 | 19,700 | | | |
| 6+6+6+6 | 4 - Zone | 6,000 | 6,000 | 6,000 | 6,000 | | 6,000 | 6,000 | 6,000 | 6,000 | |
| 6+6+6+9 | | 6,000 | 6,000 | 6,000 | 9,000 | | 6,000 | 6,000 | 6,000 | 9,000 | |
| 6+6+6+12 | | 6,000 | 6,000 | 6,000 | 12,000 | | 6,000 | 6,000 | 6,000 | 12,000 | |
| 6+6+6+18 | | 6,000 | 6,000 | 6,000 | 18,000 | | 6,000 | 6,000 | 6,000 | 18,000 | |
| 6+6+6+24 | | 5,700 | 5,700 | 5,700 | 22,800 | | 5,700 | 5,700 | 5,700 | 22,800 | |
| 6+6+9+9 | | 6,000 | 6,000 | 9,000 | 9,000 | | 6,000 | 6,000 | 9,000 | 9,000 | |
| 6+6+9+12 | | 6,000 | 6,000 | 9,000 | 12,000 | | 6,000 | 6,000 | 9,000 | 12,000 | |
| 6+6+9+18 | | 6,000 | 6,000 | 9,000 | 18,000 | | 6,000 | 6,000 | 9,000 | 18,000 | |
| 6+6+9+24 | | 5,300 | 5,300 | 7,900 | 21,000 | | 5,300 | 5,300 | 7,900 | 21,000 | |
| 6+6+12+12 | | 6,000 | 6,000 | 12,000 | 12,000 | | 6,000 | 6,000 | 12,000 | 12,000 | |
| 6+6+12+18 | | 5,600 | 5,600 | 11,300 | 16,900 | | 5,600 | 5,600 | 11,300 | 16,900 | |
| 6+6+12+24 | | 4,900 | 4,900 | 9,900 | 19,700 | | 4,900 | 4,900 | 9,900 | 19,700 | |
| 6+6+18+18 | | 4,900 | 4,900 | 14,800 | 14,800 | | 4,900 | 4,900 | 14,800 | 14,800 | |
| 6+9+9+9 | | 6,000 | 9,000 | 9,000 | 9,000 | | 6,000 | 9,000 | 9,000 | 9,000 | |
| 6+9+9+12 | | 6,000 | 9,000 | 9,000 | 12,000 | | 6,000 | 9,000 | 9,000 | 12,000 | |
| 6+9+9+18 | | 5,600 | 8,500 | 8,500 | 16,900 | | 5,600 | 8,500 | 8,500 | 16,900 | |
| 6+9+9+24 | | 4,900 | 7,400 | 7,400 | 19,700 | | 4,900 | 7,400 | 7,400 | 19,700 | |
| 6+12+12+12 | | 5,600 | 11,300 | 11,300 | 11,300 | | 5,600 | 11,300 | 11,300 | 11,300 | |
| 6+12+12+18 | | 4,900 | 9,900 | 9,900 | 14,800 | | 4,900 | 9,900 | 9,900 | 14,800 | |
| 9+9+9+9 | | 9,000 | 9,000 | 9,000 | 9,000 | | 9,000 | 9,000 | 9,000 | 9,000 | |
| 9+9+9+12 | | 9,000 | 9,000 | 9,000 | 12,000 | | 9,000 | 9,000 | 9,000 | 12,000 | |
| 9+9+9+18 | | 7,900 | 7,900 | 7,900 | 15,800 | | 7,900 | 7,900 | 7,900 | 15,800 | |
| 9+9+12+12 | | 8,500 | 8,500 | 11,300 | 11,300 | | 8,500 | 8,500 | 11,300 | 11,300 | |
| 9+9+12+18 | | 7,400 | 7,400 | 9,900 | 14,800 | | 7,400 | 7,400 | 9,900 | 14,800 | |
| 9+12+12+12 | | 7,900 | 10,500 | 10,500 | 10,500 | | 7,900 | 10,500 | 10,500 | 10,500 | |
| 12+12+12+12 | | 9,900 | 9,900 | 9,900 | 9,900 | | 9,900 | 9,900 | 9,900 | 9,900 | |

| | NO. ZONES | COOLING CAPACITY (BTU/H) | | | | | HEATING CAPACITY (BTU/H) | | | | | |
|---------------|-----------|--------------------------|--------|--------|--------|--------|--------------------------|--------|--------|--------|--------|--|
| | | ZONE 1 | ZONE 2 | ZONE 3 | ZONE 4 | ZONE 5 | ZONE 1 | ZONE 2 | ZONE 3 | ZONE 4 | ZONE 5 | |
| 36R - Regular | | | | | | | | | | | | |
| 6+9 | 2 - Zone | 9,700 | 14,700 | | | | 10,000 | 15,100 | | | | |
| 6+12 | | 8,100 | 16,300 | | | | 8,300 | 16,800 | | | | |
| 6+18 | | 6,000 | 18,000 | | | | 6,200 | 18,500 | | | | |
| 6+24 | | 6,000 | 24,000 | | | | 6,200 | 24,700 | | | | |
| 9+9 | | 12,200 | 12,200 | | | | 12,500 | 12,500 | | | | |
| 9+12 | | 10,500 | 14,000 | | | | 10,800 | 14,400 | | | | |
| 9+18 | | 9,000 | 18,000 | | | | 9,300 | 18,500 | | | | |
| 9+24 | | 9,000 | 24,000 | | | | 9,300 | 24,700 | | | | |
| 12+12 | | 12,000 | 12,000 | | | | 12,300 | 12,300 | | | | |
| 12+18 | | 12,000 | 18,000 | | | | 12,300 | 18,500 | | | | |
| 12+24 | | 12,000 | 24,000 | | | | 12,300 | 24,700 | | | | |
| 18+18 | | 18,000 | 18,000 | | | | 18,500 | 18,500 | | | | |
| 6+6+6 | | 3 - Zone | 8,200 | 8,200 | 8,200 | | | 8,400 | 8,400 | 8,400 | | |
| 6+6+9 | | | 7,000 | 7,000 | 10,500 | | | 7,200 | 7,200 | 10,800 | | |
| 6+6+12 | 6,000 | | 6,000 | 12,000 | | | 6,200 | 6,200 | 12,300 | | | |
| 6+6+18 | 6,000 | | 6,000 | 18,000 | | | 6,200 | 6,200 | 18,500 | | | |
| 6+6+24 | 6,000 | | 6,000 | 24,000 | | | 6,200 | 6,200 | 24,700 | | | |
| 6+9+9 | 6,000 | | 9,000 | 9,000 | | | 6,200 | 9,300 | 9,300 | | | |
| 6+9+12 | 6,000 | | 9,000 | 12,000 | | | 6,200 | 9,300 | 12,300 | | | |
| 6+9+18 | 6,000 | | 9,000 | 18,000 | | | 6,200 | 9,300 | 18,500 | | | |
| 6+9+24 | 6,000 | | 9,000 | 24,000 | | | 6,200 | 9,300 | 24,700 | | | |
| 6+12+12 | 6,000 | | 12,000 | 12,000 | | | 6,200 | 12,300 | 12,300 | | | |
| 6+12+18 | 6,000 | | 12,000 | 18,000 | | | 6,200 | 12,300 | 18,500 | | | |
| 6+12+24 | 5,700 | | 11,400 | 22,800 | | | 5,900 | 11,700 | 23,400 | | | |
| 6+18+18 | 5,700 | | 17,100 | 17,100 | | | 5,900 | 17,600 | 17,600 | | | |
| 6+18+24 | 4,900 | | 14,800 | 19,700 | | | 5,000 | 15,200 | 20,200 | | | |
| 9+9+9 | 9,000 | | 9,000 | 9,000 | | | 9,300 | 9,300 | 9,300 | | | |
| 9+9+12 | 9,000 | | 9,000 | 12,000 | | | 9,300 | 9,300 | 12,300 | | | |
| 9+9+18 | 9,000 | | 9,000 | 18,000 | | | 9,300 | 9,300 | 18,500 | | | |
| 9+9+24 | 8,600 | | 8,600 | 17,100 | | | 8,800 | 8,800 | 17,600 | | | |
| 9+12+12 | 9,000 | | 12,000 | 12,000 | | | 9,300 | 12,300 | 12,300 | | | |
| 9+12+18 | 9,000 | | 12,000 | 18,000 | | | 9,300 | 12,300 | 18,500 | | | |
| 9+12+24 | 8,000 | | 10,600 | 5,300 | | | 8,200 | 10,900 | 5,400 | | | |
| 9+18+18 | 8,000 | | 16,000 | 5,300 | | | 8,200 | 16,400 | 5,400 | | | |
| 12+12+12 | 12,000 | | 12,000 | 12,000 | | | 12,300 | 12,300 | 12,300 | | | |
| 12+12+18 | 11,300 | | 11,300 | 16,900 | | | 11,600 | 11,600 | 17,400 | | | |
| 12+18+18 | 9,900 | | 14,800 | 14,800 | | | 10,200 | 15,200 | 15,200 | | | |
| 12+12+24 | 9,900 | | 9,900 | 19,700 | | | 10,200 | 10,200 | 20,200 | | | |

| | NO. ZONES | COOLING CAPACITY (BTU/H) | | | | | HEATING CAPACITY (BTU/H) | | | | | |
|-------------------------|-----------|--------------------------|--------|--------|--------|--------|--------------------------|--------|--------|--------|--------|--|
| | | ZONE 1 | ZONE 2 | ZONE 3 | ZONE 4 | ZONE 5 | ZONE 1 | ZONE 2 | ZONE 3 | ZONE 4 | ZONE 5 | |
| 6+6+6+6 | 4 - Zone | 6,000 | 6,000 | 6,000 | 6,000 | | 6,200 | 6,200 | 6,200 | 6,200 | | |
| 6+6+6+9 | | 6,000 | 6,000 | 6,000 | 9,000 | | 6,200 | 6,200 | 6,200 | 9,300 | | |
| 6+6+6+12 | | 6,000 | 6,000 | 6,000 | 12,000 | | 6,200 | 6,200 | 6,200 | 12,300 | | |
| 6+6+6+18 | | 6,000 | 6,000 | 6,000 | 18,000 | | 6,200 | 6,200 | 6,200 | 18,500 | | |
| 6+6+6+24 | | 5,700 | 5,700 | 5,700 | 22,800 | | 5,900 | 5,900 | 5,900 | 23,400 | | |
| 6+6+9+9 | | 6,000 | 6,000 | 9,000 | 9,000 | | 6,200 | 6,200 | 9,300 | 9,300 | | |
| 6+6+9+12 | | 6,000 | 6,000 | 9,000 | 12,000 | | 6,200 | 6,200 | 9,300 | 12,300 | | |
| 6+6+9+18 | | 6,000 | 6,000 | 9,000 | 18,000 | | 6,200 | 6,200 | 9,300 | 18,500 | | |
| 6+6+9+24 | | 5,300 | 5,300 | 7,900 | 21,000 | | 5,400 | 5,400 | 8,100 | 21,600 | | |
| 6+6+12+12 | | 6,000 | 6,000 | 12,000 | 12,000 | | 6,200 | 6,200 | 12,300 | 12,300 | | |
| 6+6+12+18 | | 5,600 | 5,600 | 11,300 | 16,900 | | 5,800 | 5,800 | 11,600 | 17,400 | | |
| 6+6+12+24 | | 4,900 | 4,900 | 9,900 | 19,700 | | 5,000 | 5,000 | 10,200 | 20,200 | | |
| 6+6+18+18 | | 4,900 | 4,900 | 14,800 | 14,800 | | 5,000 | 5,000 | 15,200 | 15,200 | | |
| 6+9+9+9 | | 6,000 | 9,000 | 9,000 | 9,000 | | 6,200 | 9,300 | 9,300 | 9,300 | | |
| 6+9+9+12 | | 6,000 | 9,000 | 9,000 | 12,000 | | 6,200 | 9,300 | 9,300 | 12,300 | | |
| 6+9+9+18 | | 5,600 | 8,500 | 8,500 | 16,900 | | 5,800 | 8,700 | 8,700 | 17,400 | | |
| 6+9+9+24 | | 4,900 | 7,400 | 7,400 | 19,700 | | 5,000 | 7,600 | 7,600 | 20,200 | | |
| 6+12+12+12 | | 5,600 | 11,300 | 11,300 | 11,300 | | 5,800 | 11,600 | 11,600 | 11,600 | | |
| 6+12+12+18 | | 4,900 | 9,900 | 9,900 | 14,800 | | 5,000 | 10,200 | 10,200 | 15,200 | | |
| 9+9+9+9 | | 9,000 | 9,000 | 9,000 | 9,000 | | 9,300 | 9,300 | 9,300 | 9,300 | | |
| 9+9+9+12 | | 9,000 | 9,000 | 9,000 | 12,000 | | 9,300 | 9,300 | 9,300 | 12,300 | | |
| 9+9+9+18 | | 7,900 | 7,900 | 7,900 | 15,800 | | 8,100 | 8,100 | 8,100 | 16,200 | | |
| 9+9+12+12 | | 8,500 | 8,500 | 11,300 | 11,300 | | 8,700 | 8,700 | 11,600 | 11,600 | | |
| 9+9+12+18 | | 7,400 | 7,400 | 9,900 | 14,800 | | 7,600 | 7,600 | 10,200 | 15,200 | | |
| 9+12+12+12 | | 7,900 | 10,500 | 10,500 | 10,500 | | 8,100 | 10,800 | 10,800 | 10,800 | | |
| 12+12+12+12 | | 9,900 | 9,900 | 9,900 | 9,900 | | 10,200 | 10,200 | 10,200 | 10,200 | | |
| 36HH - High Heat | | | | | | | | | | | | |
| 9+18 | | 2 - Zone | 9,000 | 18,000 | | | | 9,200 | 18,400 | | | |
| 9+24 | 9,000 | | 24,000 | | | | 9,200 | 24,500 | | | | |
| 12+12 | 12,000 | | 12,000 | | | | 12,300 | 12,300 | | | | |
| 12+18 | 12,000 | | 18,000 | | | | 12,300 | 18,400 | | | | |
| 12+24 | 12,000 | | 24,000 | | | | 12,300 | 24,500 | | | | |
| 18+18 | 18,000 | | 18,000 | | | | 18,400 | 18,400 | | | | |
| 18+24 | 18,000 | | 24,000 | | | | 18,400 | 24,500 | | | | |
| 24+24 | 24,000 | | 24,000 | | | | 24,500 | 24,500 | | | | |
| 6+6+24 | 3 - Zone | 6,000 | 6,000 | 24,000 | | | 6,100 | 6,100 | 24,500 | | | |
| 6+9+12 | | 6,000 | 9,000 | 12,000 | | | 6,100 | 9,200 | 12,300 | | | |
| 6+9+18 | | 6,000 | 9,000 | 18,000 | | | 6,100 | 9,200 | 18,400 | | | |
| 6+9+24 | | 6,000 | 9,000 | 24,000 | | | 6,100 | 9,200 | 24,500 | | | |
| 6+12+18 | | 6,000 | 12,000 | 18,000 | | | 6,100 | 12,300 | 18,400 | | | |
| 6+12+24 | | 6,000 | 12,000 | 24,000 | | | 6,100 | 12,300 | 24,500 | | | |
| 6+18+18 | | 6,000 | 18,000 | 18,000 | | | 6,100 | 18,400 | 18,400 | | | |
| 6+18+24 | | 6,000 | 18,000 | 24,000 | | | 6,100 | 18,400 | 24,500 | | | |
| 6+24+24 | | 6,000 | 24,000 | 24,000 | | | 6,000 | 24,100 | 24,100 | | | |
| 9+9+9 | | 9,000 | 9,000 | 9,000 | | | 9,200 | 9,200 | 9,200 | | | |
| 9+9+12 | | 9,000 | 9,000 | 12,000 | | | 9,200 | 9,200 | 12,300 | | | |
| 9+9+18 | | 9,000 | 9,000 | 18,000 | | | 9,200 | 9,200 | 18,400 | | | |
| 9+9+24 | | 9,000 | 9,000 | 24,000 | | | 9,200 | 9,200 | 24,500 | | | |
| 9+12+12 | | 9,000 | 12,000 | 12,000 | | | 9,200 | 12,300 | 12,300 | | | |
| 9+12+18 | | 9,000 | 12,000 | 18,000 | | | 9,200 | 12,300 | 18,400 | | | |
| 9+12+24 | | 9,000 | 12,000 | 24,000 | | | 9,200 | 12,300 | 24,500 | | | |
| 9+18+18 | 9,000 | 18,000 | 18,000 | | | 9,200 | 18,400 | 18,400 | | | | |
| 9+18+24 | 9,000 | 18,000 | 24,000 | | | 9,200 | 18,400 | 24,500 | | | | |
| 9+24+24 | 8,300 | 22,300 | 22,300 | | | 8,500 | 22,800 | 22,800 | | | | |
| 12+12+12 | 12,000 | 12,000 | 12,000 | | | 12,300 | 12,300 | 12,300 | | | | |
| 12+12+18 | 12,000 | 12,000 | 18,000 | | | 12,300 | 12,300 | 18,400 | | | | |
| 12+12+24 | 12,000 | 12,000 | 24,000 | | | 12,300 | 12,300 | 24,500 | | | | |
| 12+18+18 | 12,000 | 18,000 | 18,000 | | | 12,300 | 18,400 | 18,400 | | | | |
| 12+18+24 | 12,000 | 18,000 | 24,000 | | | 12,000 | 18,100 | 24,100 | | | | |
| 12+24+24 | 10,400 | 20,900 | 20,900 | | | 10,600 | 21,300 | 21,300 | | | | |
| 18+18+18 | 17,500 | 17,500 | 17,500 | | | 17,900 | 17,900 | 17,900 | | | | |
| 18+18+24 | 16,800 | 16,800 | 18,700 | | | 17,200 | 17,200 | 19,100 | | | | |

| | NO. ZONES | COOLING CAPACITY (BTU/H) | | | | | HEATING CAPACITY (BTU/H) | | | | |
|-------------|-----------|--------------------------|--------|--------|--------|--------|--------------------------|--------|--------|--------|--------|
| | | ZONE 1 | ZONE 2 | ZONE 3 | ZONE 4 | ZONE 5 | ZONE 1 | ZONE 2 | ZONE 3 | ZONE 4 | ZONE 5 |
| 6+6+6+18 | 4 - Zone | 6,000 | 6,000 | 6,000 | 18,000 | | 6,100 | 6,100 | 6,100 | 18,400 | |
| 6+6+6+24 | | 6,000 | 6,000 | 6,000 | 24,000 | | 6,100 | 6,100 | 6,100 | 24,500 | |
| 6+6+6+30 | | 6,000 | 6,000 | 6,000 | 30,000 | | 6,100 | 6,100 | 6,100 | 30,600 | |
| 6+6+6+36 | | 6,000 | 6,000 | 6,000 | 36,000 | | 6,000 | 6,000 | 6,000 | 36,200 | |
| 6+6+9+12 | | 6,000 | 6,000 | 9,000 | 12,000 | | 6,100 | 6,100 | 9,200 | 12,300 | |
| 6+6+9+18 | | 6,000 | 6,000 | 9,000 | 18,000 | | 6,100 | 6,100 | 9,200 | 18,400 | |
| 6+6+9+24 | | 6,000 | 6,000 | 9,000 | 24,000 | | 6,100 | 6,100 | 9,200 | 24,500 | |
| 6+6+9+30 | | 6,000 | 6,000 | 9,000 | 30,000 | | 6,100 | 6,100 | 9,200 | 30,600 | |
| 6+6+9+36 | | 5,500 | 5,500 | 8,300 | 33,000 | | 5,600 | 5,600 | 8,500 | 33,700 | |
| 6+6+12+12 | | 6,000 | 6,000 | 12,000 | 12,000 | | 6,100 | 6,100 | 12,300 | 12,300 | |
| 6+6+12+18 | | 6,000 | 6,000 | 12,000 | 18,000 | | 6,100 | 6,100 | 12,300 | 18,400 | |
| 6+6+12+24 | | 6,000 | 6,000 | 12,000 | 24,000 | | 6,100 | 6,100 | 12,300 | 24,500 | |
| 6+6+12+30 | | 6,000 | 6,000 | 12,000 | 30,000 | | 6,000 | 6,000 | 12,100 | 30,100 | |
| 6+6+12+36 | | 5,200 | 5,200 | 10,400 | 31,300 | | 5,300 | 5,300 | 10,600 | 32,000 | |
| 6+6+18+18 | | 6,000 | 6,000 | 18,000 | 18,000 | | 6,100 | 6,100 | 18,400 | 18,400 | |
| 6+6+18+24 | | 6,000 | 6,000 | 18,000 | 24,000 | | 6,000 | 6,000 | 18,100 | 24,100 | |
| 6+6+18+30 | | 5,200 | 5,200 | 15,700 | 26,100 | | 5,300 | 5,300 | 16,000 | 26,600 | |
| 6+6+24+24 | | 5,200 | 5,200 | 20,900 | 20,900 | | 5,300 | 5,300 | 21,300 | 21,300 | |
| 6+9+9+9 | | 6,000 | 9,000 | 9,000 | 9,000 | | 6,100 | 9,200 | 9,200 | 9,200 | |
| 6+9+9+12 | | 6,000 | 9,000 | 9,000 | 12,000 | | 6,100 | 9,200 | 9,200 | 12,300 | |
| 6+9+9+18 | | 6,000 | 9,000 | 9,000 | 18,000 | | 6,100 | 9,200 | 9,200 | 18,400 | |
| 6+9+9+24 | | 6,000 | 9,000 | 9,000 | 24,000 | | 6,100 | 9,200 | 9,200 | 24,500 | |
| 6+9+9+30 | | 6,000 | 9,000 | 9,000 | 30,000 | | 6,100 | 9,100 | 9,100 | 30,500 | |
| 6+9+9+36 | | 5,200 | 7,800 | 7,800 | 31,300 | | 5,300 | 8,000 | 8,000 | 32,000 | |
| 6+9+12+12 | | 6,000 | 9,000 | 12,000 | 12,000 | | 6,100 | 9,200 | 12,300 | 12,300 | |
| 6+9+12+18 | | 6,000 | 9,000 | 12,000 | 18,000 | | 6,100 | 9,200 | 12,300 | 18,400 | |
| 6+9+12+24 | | 6,000 | 9,000 | 12,000 | 24,000 | | 6,100 | 9,200 | 12,300 | 24,500 | |
| 6+9+12+30 | | 5,500 | 8,300 | 11,000 | 27,500 | | 5,600 | 8,500 | 11,200 | 28,100 | |
| 6+9+12+36 | | 5,000 | 7,400 | 9,900 | 29,800 | | 5,100 | 7,600 | 10,100 | 30,400 | |
| 6+9+18+18 | | 6,000 | 9,000 | 18,000 | 18,000 | | 6,100 | 9,200 | 18,400 | 18,400 | |
| 6+9+18+24 | | 5,500 | 8,300 | 16,500 | 22,000 | | 5,600 | 8,500 | 16,800 | 22,500 | |
| 6+9+18+30 | | 5,000 | 7,400 | 14,900 | 24,800 | | 5,100 | 7,600 | 15,200 | 25,300 | |
| 6+12+12+12 | | 6,000 | 12,000 | 12,000 | 12,000 | | 6,100 | 12,300 | 12,300 | 12,300 | |
| 6+12+12+18 | | 6,000 | 12,000 | 12,000 | 18,000 | | 6,100 | 12,300 | 12,300 | 18,400 | |
| 6+12+12+24 | | 5,800 | 11,600 | 11,600 | 23,300 | | 5,900 | 11,800 | 11,800 | 23,800 | |
| 6+12+12+30 | | 5,200 | 10,400 | 10,400 | 26,100 | | 5,300 | 10,600 | 10,600 | 26,600 | |
| 6+12+18+18 | | 5,800 | 11,600 | 17,500 | 17,500 | | 5,900 | 11,800 | 17,900 | 17,900 | |
| 6+12+18+24 | | 5,200 | 10,400 | 15,700 | 20,900 | | 5,300 | 10,600 | 16,000 | 21,300 | |
| 9+9+9+9 | | 9,000 | 9,000 | 9,000 | 9,000 | | 9,200 | 9,200 | 9,200 | 9,200 | |
| 9+9+9+12 | | 9,000 | 9,000 | 9,000 | 12,000 | | 9,200 | 9,200 | 9,200 | 12,300 | |
| 9+9+9+18 | | 9,000 | 9,000 | 9,000 | 18,000 | | 9,200 | 9,200 | 9,200 | 18,400 | |
| 9+9+9+24 | | 9,000 | 9,000 | 9,000 | 24,000 | | 9,200 | 9,200 | 9,200 | 24,500 | |
| 9+9+12+12 | | 9,000 | 9,000 | 12,000 | 12,000 | | 9,200 | 9,200 | 12,300 | 12,300 | |
| 9+9+12+18 | | 9,000 | 9,000 | 12,000 | 18,000 | | 9,200 | 9,200 | 12,300 | 18,400 | |
| 9+9+12+24 | | 8,700 | 8,700 | 11,600 | 23,300 | | 8,900 | 8,900 | 11,800 | 23,800 | |
| 9+9+18+18 | | 8,700 | 8,700 | 17,500 | 17,500 | | 8,900 | 8,900 | 17,900 | 17,900 | |
| 9+9+18+24 | 7,800 | 7,800 | 15,700 | 20,900 | | 8,000 | 8,000 | 16,000 | 21,300 | | |
| 9+12+12+12 | 9,000 | 12,000 | 12,000 | 12,000 | | 9,200 | 12,300 | 12,300 | 12,300 | | |
| 9+12+12+18 | 9,000 | 12,000 | 12,000 | 18,000 | | 9,200 | 12,300 | 12,300 | 18,400 | | |
| 9+12+12+24 | 8,300 | 11,000 | 11,000 | 22,000 | | 8,500 | 11,200 | 11,200 | 22,500 | | |
| 9+12+18+18 | 8,300 | 11,000 | 16,500 | 16,500 | | 8,500 | 11,200 | 16,800 | 16,800 | | |
| 9+18+18+18 | 7,400 | 14,900 | 14,900 | 14,900 | | 7,600 | 15,200 | 15,200 | 15,200 | | |
| 12+12+12+12 | 12,000 | 12,000 | 12,000 | 12,000 | | 12,300 | 12,300 | 12,300 | 12,300 | | |
| 12+12+12+18 | 11,600 | 11,600 | 11,600 | 17,500 | | 11,800 | 11,800 | 11,800 | 17,900 | | |
| 12+12+12+24 | 10,400 | 10,400 | 10,400 | 20,900 | | 10,600 | 10,600 | 10,600 | 21,300 | | |
| 12+12+18+18 | 10,400 | 10,400 | 15,700 | 15,700 | | 10,600 | 10,600 | 16,000 | 16,000 | | |

| | NO. ZONES | COOLING CAPACITY (BTU/H) | | | | | HEATING CAPACITY (BTU/H) | | | | |
|--------------------|-----------|--------------------------|--------|--------|--------|--------|--------------------------|--------|--------|--------|--------|
| | | ZONE 1 | ZONE 2 | ZONE 3 | ZONE 4 | ZONE 5 | ZONE 1 | ZONE 2 | ZONE 3 | ZONE 4 | ZONE 5 |
| 48R - Regular Heat | | | | | | | | | | | |
| 6+30 | 2 - Zone | 6,000 | 30,000 | | | | 6,000 | 30,000 | | | |
| 6+36 | | 6,000 | 36,000 | | | | 6,000 | 36,000 | | | |
| 9+18 | | 10,600 | 21,100 | | | | 10,600 | 21,100 | | | |
| 9+24 | | 9,000 | 24,000 | | | | 9,000 | 24,000 | | | |
| 9+30 | | 9,000 | 30,000 | | | | 9,000 | 30,000 | | | |
| 9+36 | | 9,000 | 36,000 | | | | 9,000 | 36,000 | | | |
| 12+12 | | 15,900 | 15,900 | | | | 15,900 | 15,900 | | | |
| 12+18 | | 12,700 | 19,000 | | | | 12,700 | 19,000 | | | |
| 12+24 | | 12,000 | 24,000 | | | | 12,000 | 24,000 | | | |
| 12+30 | | 12,000 | 30,000 | | | | 12,000 | 30,000 | | | |
| 12+36 | | 12,000 | 36,000 | | | | 12,000 | 36,000 | | | |
| 18+18 | | 18,000 | 18,000 | | | | 18,000 | 18,000 | | | |
| 18+24 | | 18,000 | 24,000 | | | | 18,000 | 24,000 | | | |
| 18+30 | | 18,000 | 30,000 | | | | 18,000 | 30,000 | | | |
| 18+36 | | 18,000 | 36,000 | | | | 18,000 | 36,000 | | | |
| 24+24 | | 24,000 | 24,000 | | | | 24,000 | 24,000 | | | |
| 24+30 | | 24,000 | 30,000 | | | | 24,000 | 30,000 | | | |
| 24+36 | | 24,000 | 36,000 | | | | 24,000 | 36,000 | | | |
| 30+30 | | 30,000 | 30,000 | | | | 30,000 | 30,000 | | | |

| | NO. ZONES | COOLING CAPACITY (BTU/H) | | | | | HEATING CAPACITY (BTU/H) | | | | |
|----------|-----------|--------------------------|--------|--------|--------|--------|--------------------------|--------|--------|--------|--------|
| | | ZONE 1 | ZONE 2 | ZONE 3 | ZONE 4 | ZONE 5 | ZONE 1 | ZONE 2 | ZONE 3 | ZONE 4 | ZONE 5 |
| 6+6+24 | 3 - Zone | 6,000 | 6,000 | 24,000 | | | 6,000 | 6,000 | 24,000 | | |
| 6+6+30 | | 6,000 | 6,000 | 30,000 | | | 6,000 | 6,000 | 30,000 | | |
| 6+6+36 | | 6,000 | 6,000 | 36,000 | | | 6,000 | 6,000 | 36,000 | | |
| 6+9+12 | | 7,000 | 10,600 | 14,100 | | | 7,000 | 10,600 | 14,100 | | |
| 6+9+18 | | 6,000 | 9,000 | 18,000 | | | 6,000 | 9,000 | 18,000 | | |
| 6+9+24 | | 6,000 | 9,000 | 24,000 | | | 6,000 | 9,000 | 24,000 | | |
| 6+9+30 | | 6,000 | 9,000 | 30,000 | | | 6,000 | 9,000 | 30,000 | | |
| 6+9+36 | | 6,000 | 9,000 | 36,000 | | | 6,000 | 9,000 | 36,000 | | |
| 6+12+18 | | 6,000 | 12,000 | 18,000 | | | 6,000 | 12,000 | 18,000 | | |
| 6+12+24 | | 6,000 | 12,000 | 24,000 | | | 6,000 | 12,000 | 24,000 | | |
| 6+12+30 | | 6,000 | 12,000 | 30,000 | | | 6,000 | 12,000 | 30,000 | | |
| 6+12+36 | | 6,000 | 12,000 | 36,000 | | | 6,000 | 12,000 | 36,000 | | |
| 6+18+18 | | 6,000 | 18,000 | 18,000 | | | 6,000 | 18,000 | 18,000 | | |
| 6+18+24 | | 6,000 | 18,000 | 24,000 | | | 6,000 | 18,000 | 24,000 | | |
| 6+18+30 | | 6,000 | 18,000 | 30,000 | | | 6,000 | 18,000 | 30,000 | | |
| 6+18+36 | | 6,000 | 18,000 | 36,000 | | | 6,000 | 18,000 | 36,000 | | |
| 6+24+24 | | 6,000 | 24,000 | 24,000 | | | 6,000 | 24,000 | 24,000 | | |
| 6+24+30 | | 6,000 | 24,000 | 30,000 | | | 6,000 | 24,000 | 30,000 | | |
| 9+9+9 | | 10,600 | 10,600 | 10,600 | | | 10,600 | 10,600 | 10,600 | | |
| 9+9+12 | | 9,500 | 9,500 | 12,700 | | | 9,500 | 9,500 | 12,700 | | |
| 9+9+18 | | 9,000 | 9,000 | 18,000 | | | 9,000 | 9,000 | 18,000 | | |
| 9+9+24 | | 9,000 | 9,000 | 24,000 | | | 9,000 | 9,000 | 24,000 | | |
| 9+9+30 | | 9,000 | 9,000 | 30,000 | | | 9,000 | 9,000 | 30,000 | | |
| 9+9+36 | | 9,000 | 9,000 | 36,000 | | | 9,000 | 9,000 | 36,000 | | |
| 9+12+12 | | 9,000 | 12,000 | 12,000 | | | 9,000 | 12,000 | 12,000 | | |
| 9+12+18 | | 9,000 | 12,000 | 18,000 | | | 9,000 | 12,000 | 18,000 | | |
| 9+12+24 | | 9,000 | 12,000 | 24,000 | | | 9,000 | 12,000 | 24,000 | | |
| 9+12+30 | | 9,000 | 12,000 | 30,000 | | | 9,000 | 12,000 | 30,000 | | |
| 9+12+36 | | 9,000 | 12,000 | 36,000 | | | 9,000 | 12,000 | 36,000 | | |
| 9+18+18 | | 9,000 | 18,000 | 18,000 | | | 9,000 | 18,000 | 18,000 | | |
| 9+18+24 | | 9,000 | 18,000 | 24,000 | | | 9,000 | 18,000 | 24,000 | | |
| 9+18+30 | | 9,000 | 18,000 | 30,000 | | | 9,000 | 18,000 | 30,000 | | |
| 9+18+36 | 9,000 | 18,000 | 36,000 | | | 9,000 | 18,000 | 36,000 | | | |
| 9+24+24 | 9,000 | 24,000 | 24,000 | | | 9,000 | 24,000 | 24,000 | | | |
| 12+12+12 | 12,000 | 12,000 | 12,000 | | | 12,000 | 12,000 | 12,000 | | | |
| 12+12+18 | 12,000 | 12,000 | 18,000 | | | 12,000 | 12,000 | 18,000 | | | |
| 12+12+24 | 12,000 | 12,000 | 24,000 | | | 12,000 | 12,000 | 24,000 | | | |
| 12+12+30 | 12,000 | 12,000 | 30,000 | | | 12,000 | 12,000 | 30,000 | | | |
| 12+12+36 | 12,000 | 12,000 | 36,000 | | | 12,000 | 12,000 | 36,000 | | | |
| 12+18+18 | 12,000 | 16,500 | 16,500 | | | 12,000 | 16,500 | 16,500 | | | |
| 12+18+24 | 12,000 | 18,000 | 24,000 | | | 12,000 | 18,000 | 24,000 | | | |
| 12+18+30 | 12,000 | 18,000 | 30,000 | | | 12,000 | 18,000 | 30,000 | | | |
| 12+24+24 | 12,000 | 24,000 | 24,000 | | | 12,000 | 24,000 | 24,000 | | | |
| 18+18+18 | 18,000 | 18,000 | 18,000 | | | 18,000 | 18,000 | 18,000 | | | |
| 18+18+24 | 18,000 | 18,000 | 24,000 | | | 18,000 | 18,000 | 24,000 | | | |

| | NO. ZONES | COOLING CAPACITY (BTU/H) | | | | | HEATING CAPACITY (BTU/H) | | | | |
|-------------|-----------|--------------------------|--------|--------|--------|--------|--------------------------|--------|--------|--------|--------|
| | | ZONE 1 | ZONE 2 | ZONE 3 | ZONE 4 | ZONE 5 | ZONE 1 | ZONE 2 | ZONE 3 | ZONE 4 | ZONE 5 |
| 6+6+6+18 | 4-Zone | 6,000 | 6,000 | 6,000 | 18,000 | | 6,000 | 6,000 | 6,000 | 18,000 | |
| 6+6+6+24 | | 6,000 | 6,000 | 6,000 | 24,000 | | 6,000 | 6,000 | 6,000 | 24,000 | |
| 6+6+6+30 | | 6,000 | 6,000 | 6,000 | 30,000 | | 6,000 | 6,000 | 6,000 | 30,000 | |
| 6+6+6+36 | | 6,000 | 6,000 | 6,000 | 36,000 | | 6,000 | 6,000 | 6,000 | 36,000 | |
| 6+6+9+12 | | 6,000 | 6,000 | 9,000 | 12,000 | | 6,000 | 6,000 | 9,000 | 12,000 | |
| 6+6+9+18 | | 6,000 | 6,000 | 9,000 | 18,000 | | 6,000 | 6,000 | 9,000 | 18,000 | |
| 6+6+9+24 | | 6,000 | 6,000 | 9,000 | 24,000 | | 6,000 | 6,000 | 9,000 | 24,000 | |
| 6+6+9+30 | | 6,000 | 6,000 | 9,000 | 30,000 | | 6,000 | 6,000 | 9,000 | 30,000 | |
| 6+6+9+36 | | 6,000 | 6,000 | 9,000 | 36,000 | | 6,000 | 6,000 | 9,000 | 36,000 | |
| 6+6+12+12 | | 6,000 | 6,000 | 12,000 | 12,000 | | 6,000 | 6,000 | 12,000 | 12,000 | |
| 6+6+12+18 | | 6,000 | 6,000 | 12,000 | 18,000 | | 6,000 | 6,000 | 12,000 | 18,000 | |
| 6+6+12+24 | | 6,000 | 6,000 | 12,000 | 24,000 | | 6,000 | 6,000 | 12,000 | 24,000 | |
| 6+6+12+30 | | 6,000 | 6,000 | 12,000 | 30,000 | | 6,000 | 6,000 | 12,000 | 30,000 | |
| 6+6+12+36 | | 6,000 | 6,000 | 12,000 | 36,000 | | 6,000 | 6,000 | 12,000 | 36,000 | |
| 6+6+18+18 | | 6,000 | 6,000 | 18,000 | 18,000 | | 6,000 | 6,000 | 18,000 | 18,000 | |
| 6+6+18+24 | | 6,000 | 6,000 | 18,000 | 24,000 | | 6,000 | 6,000 | 18,000 | 24,000 | |
| 6+6+18+30 | | 6,000 | 6,000 | 18,000 | 30,000 | | 6,000 | 6,000 | 18,000 | 30,000 | |
| 6+6+24+24 | | 6,000 | 6,000 | 24,000 | 24,000 | | 6,000 | 6,000 | 24,000 | 24,000 | |
| 6+9+9+9 | | 6,000 | 9,000 | 9,000 | 9,000 | | 6,000 | 9,000 | 9,000 | 9,000 | |
| 6+9+9+12 | | 6,000 | 9,000 | 9,000 | 12,000 | | 6,000 | 9,000 | 9,000 | 12,000 | |
| 6+9+9+18 | | 6,000 | 9,000 | 9,000 | 18,000 | | 6,000 | 9,000 | 9,000 | 18,000 | |
| 6+9+9+24 | | 6,000 | 9,000 | 9,000 | 24,000 | | 6,000 | 9,000 | 9,000 | 24,000 | |
| 6+9+9+30 | | 6,000 | 9,000 | 9,000 | 30,000 | | 6,000 | 9,000 | 9,000 | 30,000 | |
| 6+9+9+36 | | 6,000 | 9,000 | 9,000 | 36,000 | | 6,000 | 9,000 | 9,000 | 36,000 | |
| 6+9+12+12 | | 6,000 | 9,000 | 12,000 | 12,000 | | 6,000 | 9,000 | 12,000 | 12,000 | |
| 6+9+12+18 | | 6,000 | 9,000 | 12,000 | 18,000 | | 6,000 | 9,000 | 12,000 | 18,000 | |
| 6+9+12+24 | | 6,000 | 9,000 | 12,000 | 24,000 | | 6,000 | 9,000 | 12,000 | 24,000 | |
| 6+9+12+30 | | 6,000 | 9,000 | 12,000 | 30,000 | | 6,000 | 9,000 | 12,000 | 30,000 | |
| 6+9+12+36 | | 6,000 | 9,000 | 12,000 | 36,000 | | 6,000 | 9,000 | 12,000 | 36,000 | |
| 6+9+18+18 | | 6,000 | 9,000 | 18,000 | 18,000 | | 6,000 | 9,000 | 18,000 | 18,000 | |
| 6+9+18+24 | | 6,000 | 9,000 | 18,000 | 24,000 | | 6,000 | 9,000 | 18,000 | 24,000 | |
| 6+9+18+30 | | 6,000 | 9,000 | 18,000 | 30,000 | | 6,000 | 9,000 | 18,000 | 30,000 | |
| 6+9+24+24 | | 6,000 | 9,000 | 24,000 | 24,000 | | 6,000 | 9,000 | 24,000 | 24,000 | |
| 6+12+12+12 | | 6,000 | 12,000 | 12,000 | 12,000 | | 6,000 | 12,000 | 12,000 | 12,000 | |
| 6+12+12+18 | | 6,000 | 12,000 | 12,000 | 18,000 | | 6,000 | 12,000 | 12,000 | 18,000 | |
| 6+12+12+24 | | 6,000 | 12,000 | 12,000 | 24,000 | | 6,000 | 12,000 | 12,000 | 24,000 | |
| 6+12+12+30 | | 6,000 | 12,000 | 12,000 | 30,000 | | 6,000 | 12,000 | 12,000 | 30,000 | |
| 6+12+18+18 | | 6,000 | 12,000 | 18,000 | 18,000 | | 6,000 | 12,000 | 18,000 | 18,000 | |
| 6+12+18+24 | | 6,000 | 12,000 | 18,000 | 24,000 | | 6,000 | 12,000 | 18,000 | 24,000 | |
| 6+18+18+18 | | 6,000 | 18,000 | 18,000 | 18,000 | | 6,000 | 18,000 | 18,000 | 18,000 | |
| 9+9+9+9 | | 9,000 | 9,000 | 9,000 | 9,000 | | 9,000 | 9,000 | 9,000 | 9,000 | |
| 9+9+9+12 | | 9,000 | 9,000 | 9,000 | 12,000 | | 9,000 | 9,000 | 9,000 | 12,000 | |
| 9+9+9+18 | | 9,000 | 9,000 | 9,000 | 18,000 | | 9,000 | 9,000 | 9,000 | 18,000 | |
| 9+9+9+24 | | 9,000 | 9,000 | 9,000 | 24,000 | | 9,000 | 9,000 | 9,000 | 24,000 | |
| 9+9+9+30 | | 9,000 | 9,000 | 9,000 | 30,000 | | 9,000 | 9,000 | 9,000 | 30,000 | |
| 9+9+9+36 | | 9,000 | 9,000 | 9,000 | 36,000 | | 9,000 | 9,000 | 9,000 | 36,000 | |
| 9+9+12+12 | 9,000 | 9,000 | 12,000 | 12,000 | | 9,000 | 9,000 | 12,000 | 12,000 | | |
| 9+9+12+18 | 9,000 | 9,000 | 12,000 | 18,000 | | 9,000 | 9,000 | 12,000 | 18,000 | | |
| 9+9+12+24 | 9,000 | 9,000 | 12,000 | 24,000 | | 9,000 | 9,000 | 12,000 | 24,000 | | |
| 9+9+12+30 | 9,000 | 9,000 | 12,000 | 30,000 | | 9,000 | 9,000 | 12,000 | 30,000 | | |
| 9+9+18+18 | 9,000 | 9,000 | 18,000 | 18,000 | | 9,000 | 9,000 | 18,000 | 18,000 | | |
| 9+9+18+24 | 9,000 | 9,000 | 18,000 | 24,000 | | 9,000 | 9,000 | 18,000 | 24,000 | | |
| 9+12+12+12 | 9,000 | 12,000 | 12,000 | 12,000 | | 9,000 | 12,000 | 12,000 | 12,000 | | |
| 9+12+12+18 | 9,000 | 12,000 | 12,000 | 18,000 | | 9,000 | 12,000 | 12,000 | 18,000 | | |
| 9+12+12+24 | 9,000 | 12,000 | 12,000 | 24,000 | | 9,000 | 12,000 | 12,000 | 24,000 | | |
| 9+12+18+18 | 9,000 | 12,000 | 18,000 | 18,000 | | 9,000 | 12,000 | 18,000 | 18,000 | | |
| 9+18+18+18 | 9,000 | 18,000 | 18,000 | 18,000 | | 9,000 | 18,000 | 18,000 | 18,000 | | |
| 12+12+12+12 | 12,000 | 12,000 | 12,000 | 12,000 | | 12,000 | 12,000 | 12,000 | 12,000 | | |
| 12+12+12+18 | 12,000 | 12,000 | 12,000 | 18,000 | | 12,000 | 12,000 | 12,000 | 18,000 | | |
| 12+12+12+24 | 12,000 | 12,000 | 12,000 | 24,000 | | 12,000 | 12,000 | 12,000 | 24,000 | | |
| 12+12+18+18 | 12,000 | 12,000 | 18,000 | 18,000 | | 12,000 | 12,000 | 18,000 | 18,000 | | |

| | NO. ZONES | COOLING CAPACITY (BTU/H) | | | | | HEATING CAPACITY (BTU/H) | | | | |
|----------------|-----------|--------------------------|--------|--------|--------|--------|--------------------------|--------|--------|--------|--------|
| | | ZONE 1 | ZONE 2 | ZONE 3 | ZONE 4 | ZONE 5 | ZONE 1 | ZONE 2 | ZONE 3 | ZONE 4 | ZONE 5 |
| 6+6+6+6+6 | 5-Zone | 6,400 | 6,400 | 6,400 | 6,400 | 6,400 | 6,400 | 6,400 | 6,400 | 6,400 | 6,400 |
| 6+6+6+6+9 | | 6,000 | 6,000 | 6,000 | 6,000 | 9,000 | 6,000 | 6,000 | 6,000 | 6,000 | 9,000 |
| 6+6+6+6+12 | | 6,000 | 6,000 | 6,000 | 6,000 | 12,000 | 6,000 | 6,000 | 6,000 | 6,000 | 12,000 |
| 6+6+6+6+18 | | 6,000 | 6,000 | 6,000 | 6,000 | 18,000 | 6,000 | 6,000 | 6,000 | 6,000 | 18,000 |
| 6+6+6+6+24 | | 6,000 | 6,000 | 6,000 | 6,000 | 24,000 | 6,000 | 6,000 | 6,000 | 6,000 | 24,000 |
| 6+6+6+6+30 | | 6,000 | 6,000 | 6,000 | 6,000 | 30,000 | 6,000 | 6,000 | 6,000 | 6,000 | 30,000 |
| 6+6+6+6+36 | | 6,000 | 6,000 | 6,000 | 6,000 | 36,000 | 6,000 | 6,000 | 6,000 | 6,000 | 36,000 |
| 6+6+6+9+9 | | 6,000 | 6,000 | 6,000 | 9,000 | 9,000 | 6,000 | 6,000 | 6,000 | 9,000 | 9,000 |
| 6+6+6+9+12 | | 6,000 | 6,000 | 6,000 | 9,000 | 12,000 | 6,000 | 6,000 | 6,000 | 9,000 | 12,000 |
| 6+6+6+9+18 | | 6,000 | 6,000 | 6,000 | 9,000 | 18,000 | 6,000 | 6,000 | 6,000 | 9,000 | 18,000 |
| 6+6+6+9+24 | | 6,000 | 6,000 | 6,000 | 9,000 | 24,000 | 6,000 | 6,000 | 6,000 | 9,000 | 24,000 |
| 6+6+6+9+30 | | 6,000 | 6,000 | 6,000 | 9,000 | 30,000 | 6,000 | 6,000 | 6,000 | 9,000 | 30,000 |
| 6+6+6+9+36 | | 6,000 | 6,000 | 6,000 | 9,000 | 36,000 | 6,000 | 6,000 | 6,000 | 9,000 | 36,000 |
| 6+6+6+12+12 | | 6,000 | 6,000 | 6,000 | 12,000 | 12,000 | 6,000 | 6,000 | 6,000 | 12,000 | 12,000 |
| 6+6+6+12+18 | | 6,000 | 6,000 | 6,000 | 12,000 | 18,000 | 6,000 | 6,000 | 6,000 | 12,000 | 18,000 |
| 6+6+6+12+24 | | 6,000 | 6,000 | 6,000 | 12,000 | 24,000 | 6,000 | 6,000 | 6,000 | 12,000 | 24,000 |
| 6+6+6+12+30 | | 6,000 | 6,000 | 6,000 | 12,000 | 30,000 | 6,000 | 6,000 | 6,000 | 12,000 | 30,000 |
| 6+6+6+18+18 | | 6,000 | 6,000 | 6,000 | 18,000 | 18,000 | 6,000 | 6,000 | 6,000 | 18,000 | 18,000 |
| 6+6+6+18+24 | | 6,000 | 6,000 | 6,000 | 18,000 | 24,000 | 6,000 | 6,000 | 6,000 | 18,000 | 24,000 |
| 6+6+9+9+9 | | 6,000 | 6,000 | 9,000 | 9,000 | 9,000 | 6,000 | 6,000 | 9,000 | 9,000 | 9,000 |
| 6+6+9+9+12 | | 6,000 | 6,000 | 9,000 | 9,000 | 12,000 | 6,000 | 6,000 | 9,000 | 9,000 | 12,000 |
| 6+6+9+9+18 | | 6,000 | 6,000 | 9,000 | 9,000 | 18,000 | 6,000 | 6,000 | 9,000 | 9,000 | 18,000 |
| 6+6+9+9+24 | | 6,000 | 6,000 | 9,000 | 9,000 | 24,000 | 6,000 | 6,000 | 9,000 | 9,000 | 24,000 |
| 6+6+9+9+30 | | 6,000 | 6,000 | 9,000 | 9,000 | 30,000 | 6,000 | 6,000 | 9,000 | 9,000 | 30,000 |
| 6+6+9+12+12 | | 6,000 | 6,000 | 9,000 | 12,000 | 12,000 | 6,000 | 6,000 | 9,000 | 12,000 | 12,000 |
| 6+6+9+12+18 | | 6,000 | 6,000 | 9,000 | 12,000 | 18,000 | 6,000 | 6,000 | 9,000 | 12,000 | 18,000 |
| 6+6+9+12+24 | | 6,000 | 6,000 | 9,000 | 12,000 | 24,000 | 6,000 | 6,000 | 9,000 | 12,000 | 24,000 |
| 6+6+9+12+30 | | 6,000 | 6,000 | 9,000 | 12,000 | 30,000 | 6,000 | 6,000 | 9,000 | 12,000 | 30,000 |
| 6+6+9+18+18 | | 6,000 | 6,000 | 9,000 | 18,000 | 18,000 | 6,000 | 6,000 | 9,000 | 18,000 | 18,000 |
| 6+6+9+18+24 | | 6,000 | 6,000 | 9,000 | 18,000 | 24,000 | 6,000 | 6,000 | 9,000 | 18,000 | 24,000 |
| 6+6+12+12+12 | | 6,000 | 6,000 | 12,000 | 12,000 | 12,000 | 6,000 | 6,000 | 12,000 | 12,000 | 12,000 |
| 6+6+12+12+18 | | 6,000 | 6,000 | 12,000 | 12,000 | 18,000 | 6,000 | 6,000 | 12,000 | 12,000 | 18,000 |
| 6+6+12+12+24 | | 6,000 | 6,000 | 12,000 | 12,000 | 24,000 | 6,000 | 6,000 | 12,000 | 12,000 | 24,000 |
| 6+6+12+18+18 | | 6,000 | 6,000 | 12,000 | 18,000 | 18,000 | 6,000 | 6,000 | 12,000 | 18,000 | 18,000 |
| 6+9+9+9+9 | | 6,000 | 9,000 | 9,000 | 9,000 | 9,000 | 6,000 | 9,000 | 9,000 | 9,000 | 9,000 |
| 6+9+9+9+12 | | 6,000 | 9,000 | 9,000 | 9,000 | 12,000 | 6,000 | 9,000 | 9,000 | 9,000 | 12,000 |
| 6+9+9+9+18 | | 6,000 | 9,000 | 9,000 | 9,000 | 18,000 | 6,000 | 9,000 | 9,000 | 9,000 | 18,000 |
| 6+9+9+9+24 | | 6,000 | 9,000 | 9,000 | 9,000 | 24,000 | 6,000 | 9,000 | 9,000 | 9,000 | 24,000 |
| 6+9+9+9+30 | | 6,000 | 9,000 | 9,000 | 9,000 | 24,000 | 6,000 | 9,000 | 9,000 | 9,000 | 24,000 |
| 6+9+9+12+12 | | 6,000 | 9,000 | 9,000 | 12,000 | 12,000 | 6,000 | 9,000 | 9,000 | 12,000 | 12,000 |
| 6+9+9+12+18 | | 6,000 | 9,000 | 9,000 | 12,000 | 18,000 | 6,000 | 9,000 | 9,000 | 12,000 | 18,000 |
| 6+9+9+12+24 | | 6,000 | 9,000 | 9,000 | 12,000 | 24,000 | 6,000 | 9,000 | 9,000 | 12,000 | 24,000 |
| 6+9+9+18+18 | | 6,000 | 9,000 | 9,000 | 18,000 | 18,000 | 6,000 | 9,000 | 9,000 | 18,000 | 18,000 |
| 6+9+12+12+12 | | 6,000 | 9,000 | 12,000 | 12,000 | 12,000 | 6,000 | 9,000 | 12,000 | 12,000 | 12,000 |
| 6+9+12+12+18 | | 6,000 | 9,000 | 12,000 | 12,000 | 18,000 | 6,000 | 9,000 | 12,000 | 12,000 | 18,000 |
| 6+9+12+12+24 | 6,000 | 9,000 | 12,000 | 12,000 | 24,000 | 6,000 | 9,000 | 12,000 | 12,000 | 24,000 | |
| 6+9+12+18+18 | 6,000 | 9,000 | 12,000 | 18,000 | 18,000 | 6,000 | 9,000 | 12,000 | 18,000 | 18,000 | |
| 6+12+12+12+12 | 6,000 | 12,000 | 12,000 | 12,000 | 12,000 | 6,000 | 12,000 | 12,000 | 12,000 | 12,000 | |
| 6+12+12+12+18 | 6,000 | 12,000 | 12,000 | 12,000 | 18,000 | 6,000 | 12,000 | 12,000 | 12,000 | 18,000 | |
| 9+9+9+9+9 | 9,000 | 9,000 | 9,000 | 9,000 | 9,000 | 9,000 | 9,000 | 9,000 | 9,000 | 9,000 | |
| 9+9+9+9+12 | 9,000 | 9,000 | 9,000 | 9,000 | 12,000 | 9,000 | 9,000 | 9,000 | 9,000 | 12,000 | |
| 9+9+9+9+18 | 9,000 | 9,000 | 9,000 | 9,000 | 18,000 | 9,000 | 9,000 | 9,000 | 9,000 | 18,000 | |
| 9+9+9+9+24 | 9,000 | 9,000 | 9,000 | 9,000 | 24,000 | 9,000 | 9,000 | 9,000 | 9,000 | 24,000 | |
| 9+9+9+12+12 | 9,000 | 9,000 | 9,000 | 12,000 | 12,000 | 9,000 | 9,000 | 9,000 | 12,000 | 12,000 | |
| 9+9+9+12+18 | 9,000 | 9,000 | 9,000 | 12,000 | 18,000 | 9,000 | 9,000 | 9,000 | 12,000 | 18,000 | |
| 9+9+9+18+18 | 9,000 | 9,000 | 9,000 | 18,000 | 18,000 | 9,000 | 9,000 | 9,000 | 18,000 | 18,000 | |
| 9+9+12+12+12 | 9,000 | 9,000 | 12,000 | 12,000 | 12,000 | 9,000 | 9,000 | 12,000 | 12,000 | 12,000 | |
| 9+9+12+12+18 | 9,000 | 9,000 | 12,000 | 12,000 | 18,000 | 9,000 | 9,000 | 12,000 | 12,000 | 18,000 | |
| 9+12+12+12+12 | 9,000 | 12,000 | 12,000 | 12,000 | 12,000 | 9,000 | 12,000 | 12,000 | 12,000 | 12,000 | |
| 9+12+12+12+18 | 9,000 | 12,000 | 12,000 | 12,000 | 18,000 | 9,000 | 12,000 | 12,000 | 12,000 | 18,000 | |
| 12+12+12+12+12 | 12,000 | 12,000 | 12,000 | 12,000 | 12,000 | 12,000 | 12,000 | 12,000 | 12,000 | 12,000 | |

| | NO. ZONES | COOLING CAPACITY (BTU/H) | | | | | HEATING CAPACITY (BTU/H) | | | | |
|------------------|-----------|--------------------------|--------|--------|--------|--------|--------------------------|--------|--------|--------|--------|
| | | ZONE 1 | ZONE 2 | ZONE 3 | ZONE 4 | ZONE 5 | ZONE 1 | ZONE 2 | ZONE 3 | ZONE 4 | ZONE 5 |
| 48HH - High Heat | | | | | | | | | | | |
| 6+30 | 2-Zone | 6,000 | 30,000 | | | | 6,100 | 30,600 | | | |
| 6+36 | | 6,000 | 36,000 | | | | 6,100 | 36,800 | | | |
| 9+18 | | 10,600 | 21,100 | | | | 10,900 | 21,800 | | | |
| 9+24 | | 9,000 | 24,000 | | | | 9,200 | 24,500 | | | |
| 9+30 | | 9,000 | 30,000 | | | | 9,200 | 30,600 | | | |
| 9+36 | | 9,000 | 36,000 | | | | 9,200 | 36,800 | | | |
| 12+12 | | 15,900 | 15,900 | | | | 16,200 | 16,200 | | | |
| 12+18 | | 12,700 | 19,000 | | | | 13,000 | 19,400 | | | |
| 12+24 | | 12,000 | 24,000 | | | | 12,300 | 24,500 | | | |
| 12+30 | | 12,000 | 30,000 | | | | 12,300 | 30,600 | | | |
| 12+36 | | 12,000 | 36,000 | | | | 12,300 | 36,800 | | | |
| 18+18 | | 18,000 | 18,000 | | | | 18,400 | 18,400 | | | |
| 18+24 | | 18,000 | 24,000 | | | | 18,400 | 24,500 | | | |
| 18+30 | | 18,000 | 30,000 | | | | 18,400 | 30,600 | | | |
| 18+36 | | 18,000 | 36,000 | | | | 18,400 | 36,800 | | | |
| 24+24 | | 24,000 | 24,000 | | | | 24,500 | 24,500 | | | |
| 24+30 | | 24,000 | 30,000 | | | | 24,500 | 30,600 | | | |
| 24+36 | | 24,000 | 36,000 | | | | 24,500 | 36,800 | | | |
| 30+30 | | 30,000 | 30,000 | | | | 30,600 | 30,600 | | | |

| | NO. ZONES | COOLING CAPACITY (BTU/H) | | | | | HEATING CAPACITY (BTU/H) | | | | |
|----------|-----------|--------------------------|--------|--------|--------|--------|--------------------------|--------|--------|--------|--------|
| | | ZONE 1 | ZONE 2 | ZONE 3 | ZONE 4 | ZONE 5 | ZONE 1 | ZONE 2 | ZONE 3 | ZONE 4 | ZONE 5 |
| 6+6+24 | 3-Zone | 6,000 | 6,000 | 24,000 | | | 6,100 | 6,100 | 24,500 | | |
| 6+6+30 | | 6,000 | 6,000 | 30,000 | | | 6,100 | 6,100 | 30,600 | | |
| 6+6+36 | | 6,000 | 6,000 | 36,000 | | | 6,100 | 6,100 | 36,800 | | |
| 6+9+12 | | 7,000 | 10,600 | 14,100 | | | 7,200 | 10,900 | 14,600 | | |
| 6+9+18 | | 6,000 | 9,000 | 18,000 | | | 6,100 | 9,200 | 18,400 | | |
| 6+9+24 | | 6,000 | 9,000 | 24,000 | | | 6,100 | 9,200 | 24,500 | | |
| 6+9+30 | | 6,000 | 9,000 | 30,000 | | | 6,100 | 9,200 | 30,600 | | |
| 6+9+36 | | 6,000 | 9,000 | 36,000 | | | 6,100 | 9,200 | 36,800 | | |
| 6+12+18 | | 6,000 | 12,000 | 18,000 | | | 6,100 | 12,300 | 18,400 | | |
| 6+12+24 | | 6,000 | 12,000 | 24,000 | | | 6,100 | 12,300 | 24,500 | | |
| 6+12+30 | | 6,000 | 12,000 | 30,000 | | | 6,100 | 12,300 | 30,600 | | |
| 6+12+36 | | 6,000 | 12,000 | 36,000 | | | 6,100 | 12,300 | 36,800 | | |
| 6+18+18 | | 6,000 | 18,000 | 18,000 | | | 6,100 | 18,400 | 18,400 | | |
| 6+18+24 | | 6,000 | 18,000 | 24,000 | | | 6,100 | 18,400 | 24,500 | | |
| 6+18+30 | | 6,000 | 18,000 | 30,000 | | | 6,100 | 18,400 | 30,600 | | |
| 6+18+36 | | 6,000 | 18,000 | 36,000 | | | 6,100 | 18,400 | 36,800 | | |
| 6+24+24 | | 6,000 | 24,000 | 24,000 | | | 6,100 | 24,500 | 24,500 | | |
| 6+24+30 | | 6,000 | 24,000 | 30,000 | | | 6,100 | 24,500 | 30,600 | | |
| 9+9+9 | | 10,600 | 10,600 | 10,600 | | | 10,800 | 10,800 | 10,800 | | |
| 9+9+12 | | 9,500 | 9,500 | 12,700 | | | 9,700 | 9,700 | 13,000 | | |
| 9+9+18 | | 9,000 | 9,000 | 18,000 | | | 9,200 | 9,200 | 18,400 | | |
| 9+9+24 | | 9,000 | 9,000 | 24,000 | | | 9,200 | 9,200 | 24,500 | | |
| 9+9+30 | | 9,000 | 9,000 | 30,000 | | | 9,200 | 9,200 | 30,600 | | |
| 9+9+36 | | 9,000 | 9,000 | 36,000 | | | 9,200 | 9,200 | 36,800 | | |
| 9+12+12 | | 9,000 | 12,000 | 12,000 | | | 9,200 | 12,300 | 12,300 | | |
| 9+12+18 | | 9,000 | 12,000 | 18,000 | | | 9,200 | 12,300 | 18,400 | | |
| 9+12+24 | | 9,000 | 12,000 | 24,000 | | | 9,200 | 12,300 | 24,500 | | |
| 9+12+30 | | 9,000 | 12,000 | 30,000 | | | 9,200 | 12,300 | 30,600 | | |
| 9+12+36 | | 9,000 | 12,000 | 36,000 | | | 9,200 | 12,300 | 36,800 | | |
| 9+18+18 | | 9,000 | 18,000 | 18,000 | | | 9,200 | 18,400 | 18,400 | | |
| 9+18+24 | 9,000 | 18,000 | 24,000 | | | 9,200 | 18,400 | 24,500 | | | |
| 9+18+30 | 9,000 | 18,000 | 30,000 | | | 9,200 | 18,400 | 30,600 | | | |
| 9+18+36 | 9,000 | 18,000 | 36,000 | | | 9,200 | 18,400 | 36,800 | | | |
| 9+24+24 | 9,000 | 24,000 | 24,000 | | | 9,200 | 24,500 | 24,500 | | | |
| 12+12+12 | 12,000 | 12,000 | 12,000 | | | 12,300 | 12,300 | 12,300 | | | |
| 12+12+18 | 12,000 | 12,000 | 18,000 | | | 12,300 | 12,300 | 18,400 | | | |
| 12+12+24 | 12,000 | 12,000 | 24,000 | | | 12,300 | 12,300 | 24,500 | | | |
| 12+12+30 | 12,000 | 12,000 | 30,000 | | | 12,300 | 12,300 | 30,600 | | | |
| 12+12+36 | 12,000 | 12,000 | 36,000 | | | 12,300 | 12,300 | 36,800 | | | |
| 12+18+18 | 12,000 | 16,500 | 16,500 | | | 12,300 | 16,800 | 16,800 | | | |
| 12+18+24 | 12,000 | 18,000 | 24,000 | | | 12,300 | 18,400 | 24,500 | | | |
| 12+18+30 | 12,000 | 18,000 | 30,000 | | | 12,300 | 18,400 | 30,600 | | | |
| 12+24+24 | 12,000 | 24,000 | 24,000 | | | 12,300 | 24,500 | 24,500 | | | |
| 18+18+18 | 18,000 | 18,000 | 18,000 | | | 18,400 | 18,400 | 18,400 | | | |
| 18+18+24 | 18,000 | 18,000 | 24,000 | | | 18,400 | 18,400 | 24,500 | | | |

| | NO. ZONES | COOLING CAPACITY (BTU/H) | | | | | HEATING CAPACITY (BTU/H) | | | | |
|-------------|-----------|--------------------------|--------|--------|--------|--------|--------------------------|--------|--------|--------|--------|
| | | ZONE 1 | ZONE 2 | ZONE 3 | ZONE 4 | ZONE 5 | ZONE 1 | ZONE 2 | ZONE 3 | ZONE 4 | ZONE 5 |
| 6+6+6+18 | 4-Zone | 6,000 | 6,000 | 6,000 | 18,000 | | 6,100 | 6,100 | 6,100 | 18,400 | |
| 6+6+6+24 | | 6,000 | 6,000 | 6,000 | 24,000 | | 6,100 | 6,100 | 6,100 | 24,500 | |
| 6+6+6+30 | | 6,000 | 6,000 | 6,000 | 30,000 | | 6,100 | 6,100 | 6,100 | 30,600 | |
| 6+6+6+36 | | 6,000 | 6,000 | 6,000 | 36,000 | | 6,100 | 6,100 | 6,100 | 36,800 | |
| 6+6+9+12 | | 6,000 | 6,000 | 9,000 | 12,000 | | 6,100 | 6,100 | 9,200 | 12,300 | |
| 6+6+9+18 | | 6,000 | 6,000 | 9,000 | 18,000 | | 6,100 | 6,100 | 9,200 | 18,400 | |
| 6+6+9+24 | | 6,000 | 6,000 | 9,000 | 24,000 | | 6,100 | 6,100 | 9,200 | 24,500 | |
| 6+6+9+30 | | 6,000 | 6,000 | 9,000 | 30,000 | | 6,100 | 6,100 | 9,200 | 30,600 | |
| 6+6+9+36 | | 6,000 | 6,000 | 9,000 | 36,000 | | 6,100 | 6,100 | 9,200 | 36,800 | |
| 6+6+12+12 | | 6,000 | 6,000 | 12,000 | 12,000 | | 6,100 | 6,100 | 12,300 | 12,300 | |
| 6+6+12+18 | | 6,000 | 6,000 | 12,000 | 18,000 | | 6,100 | 6,100 | 12,300 | 18,400 | |
| 6+6+12+24 | | 6,000 | 6,000 | 12,000 | 24,000 | | 6,100 | 6,100 | 12,300 | 24,500 | |
| 6+6+12+30 | | 6,000 | 6,000 | 12,000 | 30,000 | | 6,100 | 6,100 | 12,300 | 30,600 | |
| 6+6+12+36 | | 6,000 | 6,000 | 12,000 | 36,000 | | 6,100 | 6,100 | 12,300 | 36,800 | |
| 6+6+18+18 | | 6,000 | 6,000 | 18,000 | 18,000 | | 6,100 | 6,100 | 18,400 | 18,400 | |
| 6+6+18+24 | | 6,000 | 6,000 | 18,000 | 24,000 | | 6,100 | 6,100 | 18,400 | 24,500 | |
| 6+6+18+30 | | 6,000 | 6,000 | 18,000 | 30,000 | | 6,100 | 6,100 | 18,400 | 30,600 | |
| 6+6+24+24 | | 6,000 | 6,000 | 24,000 | 24,000 | | 6,100 | 6,100 | 24,500 | 24,500 | |
| 6+9+9+9 | | 6,000 | 9,000 | 9,000 | 9,000 | | 6,100 | 9,200 | 9,200 | 9,200 | |
| 6+9+9+12 | | 6,000 | 9,000 | 9,000 | 12,000 | | 6,100 | 9,200 | 9,200 | 12,300 | |
| 6+9+9+18 | | 6,000 | 9,000 | 9,000 | 18,000 | | 6,100 | 9,200 | 9,200 | 18,400 | |
| 6+9+9+24 | | 6,000 | 9,000 | 9,000 | 24,000 | | 6,100 | 9,200 | 9,200 | 24,500 | |
| 6+9+9+30 | | 6,000 | 9,000 | 9,000 | 30,000 | | 6,100 | 9,200 | 9,200 | 30,600 | |
| 6+9+9+36 | | 6,000 | 9,000 | 9,000 | 36,000 | | 6,100 | 9,200 | 9,200 | 36,800 | |
| 6+9+12+12 | | 6,000 | 9,000 | 12,000 | 12,000 | | 6,100 | 9,200 | 12,300 | 12,300 | |
| 6+9+12+18 | | 6,000 | 9,000 | 12,000 | 18,000 | | 6,100 | 9,200 | 12,300 | 18,400 | |
| 6+9+12+24 | | 6,000 | 9,000 | 12,000 | 24,000 | | 6,100 | 9,200 | 12,300 | 24,500 | |
| 6+9+12+30 | | 6,000 | 9,000 | 12,000 | 30,000 | | 6,100 | 9,200 | 12,300 | 30,600 | |
| 6+9+12+36 | | 6,000 | 9,000 | 12,000 | 36,000 | | 6,100 | 9,200 | 12,300 | 36,800 | |
| 6+9+18+18 | | 6,000 | 9,000 | 18,000 | 18,000 | | 6,100 | 9,200 | 18,400 | 18,400 | |
| 6+9+18+24 | | 6,000 | 9,000 | 18,000 | 24,000 | | 6,100 | 9,200 | 18,400 | 24,500 | |
| 6+9+18+30 | | 6,000 | 9,000 | 18,000 | 30,000 | | 6,100 | 9,200 | 18,400 | 30,600 | |
| 6+9+24+24 | | 6,000 | 9,000 | 24,000 | 24,000 | | 6,100 | 9,200 | 24,500 | 24,500 | |
| 6+12+12+12 | | 6,000 | 12,000 | 12,000 | 12,000 | | 6,100 | 12,300 | 12,300 | 12,300 | |
| 6+12+12+18 | | 6,000 | 12,000 | 12,000 | 18,000 | | 6,100 | 12,300 | 12,300 | 18,400 | |
| 6+12+12+24 | | 6,000 | 12,000 | 12,000 | 24,000 | | 6,100 | 12,300 | 12,300 | 24,500 | |
| 6+12+12+30 | | 6,000 | 12,000 | 12,000 | 30,000 | | 6,100 | 12,300 | 12,300 | 30,600 | |
| 6+12+18+18 | | 6,000 | 12,000 | 18,000 | 18,000 | | 6,100 | 12,300 | 18,400 | 18,400 | |
| 6+12+18+24 | | 6,000 | 12,000 | 18,000 | 24,000 | | 6,100 | 12,300 | 18,400 | 24,500 | |
| 6+18+18+18 | | 6,000 | 18,000 | 18,000 | 18,000 | | 6,100 | 18,400 | 18,400 | 18,400 | |
| 9+9+9+9 | | 9,000 | 9,000 | 9,000 | 9,000 | | 9,200 | 9,200 | 9,200 | 9,200 | |
| 9+9+9+12 | | 9,000 | 9,000 | 9,000 | 12,000 | | 9,200 | 9,200 | 9,200 | 12,300 | |
| 9+9+9+18 | | 9,000 | 9,000 | 9,000 | 18,000 | | 9,200 | 9,200 | 9,200 | 18,400 | |
| 9+9+9+24 | | 9,000 | 9,000 | 9,000 | 24,000 | | 9,200 | 9,200 | 9,200 | 24,500 | |
| 9+9+9+30 | | 9,000 | 9,000 | 9,000 | 30,000 | | 9,200 | 9,200 | 9,200 | 30,600 | |
| 9+9+9+36 | | 9,000 | 9,000 | 9,000 | 36,000 | | 9,200 | 9,200 | 9,200 | 36,800 | |
| 9+9+12+12 | | 9,000 | 9,000 | 12,000 | 12,000 | | 9,200 | 9,200 | 12,300 | 12,300 | |
| 9+9+12+18 | | 9,000 | 9,000 | 12,000 | 18,000 | | 9,200 | 9,200 | 12,300 | 18,400 | |
| 9+9+12+24 | 9,000 | 9,000 | 12,000 | 24,000 | | 9,200 | 9,200 | 12,300 | 24,500 | | |
| 9+9+12+30 | 9,000 | 9,000 | 12,000 | 30,000 | | 9,200 | 9,200 | 12,300 | 30,600 | | |
| 9+9+18+18 | 9,000 | 9,000 | 18,000 | 18,000 | | 9,200 | 9,200 | 18,400 | 18,400 | | |
| 9+9+18+24 | 9,000 | 9,000 | 18,000 | 24,000 | | 9,200 | 9,200 | 18,400 | 24,500 | | |
| 9+12+12+12 | 9,000 | 12,000 | 12,000 | 12,000 | | 9,200 | 12,300 | 12,300 | 12,300 | | |
| 9+12+12+18 | 9,000 | 12,000 | 12,000 | 18,000 | | 9,200 | 12,300 | 12,300 | 18,400 | | |
| 9+12+12+24 | 9,000 | 12,000 | 12,000 | 24,000 | | 9,200 | 12,300 | 12,300 | 24,500 | | |
| 9+12+18+18 | 9,000 | 12,000 | 18,000 | 18,000 | | 9,200 | 12,300 | 18,400 | 18,400 | | |
| 9+18+18+18 | 9,000 | 18,000 | 18,000 | 18,000 | | 9,200 | 18,400 | 18,400 | 18,400 | | |
| 12+12+12+12 | | 12,000 | 12,000 | 12,000 | | 12,300 | 12,300 | 12,300 | 12,300 | | |
| 12+12+12+18 | | 12,000 | 12,000 | 12,000 | | 12,300 | 12,300 | 12,300 | 18,400 | | |
| 12+12+12+24 | | 12,000 | 12,000 | 12,000 | | 12,300 | 12,300 | 12,300 | 24,500 | | |
| 12+12+18+18 | | 12,000 | 12,000 | 18,000 | | 12,300 | 12,300 | 18,400 | 18,400 | | |

| | NO. ZONES | COOLING CAPACITY (BTU/H) | | | | | HEATING CAPACITY (BTU/H) | | | | |
|----------------|-----------|--------------------------|--------|--------|--------|--------|--------------------------|--------|--------|--------|--------|
| | | ZONE 1 | ZONE 2 | ZONE 3 | ZONE 4 | ZONE 5 | ZONE 1 | ZONE 2 | ZONE 3 | ZONE 4 | ZONE 5 |
| 6+6+6+6+6 | 5-Zone | 6,400 | 6,400 | 6,400 | 6,400 | 6,400 | 6,500 | 6,500 | 6,500 | 6,500 | 6,500 |
| 6+6+6+6+9 | | 6,000 | 6,000 | 6,000 | 6,000 | 9,000 | 6,100 | 6,100 | 6,100 | 6,100 | 9,200 |
| 6+6+6+6+12 | | 6,000 | 6,000 | 6,000 | 6,000 | 12,000 | 6,100 | 6,100 | 6,100 | 6,100 | 12,300 |
| 6+6+6+6+18 | | 6,000 | 6,000 | 6,000 | 6,000 | 18,000 | 6,100 | 6,100 | 6,100 | 6,100 | 18,400 |
| 6+6+6+6+24 | | 6,000 | 6,000 | 6,000 | 6,000 | 24,000 | 6,100 | 6,100 | 6,100 | 6,100 | 24,500 |
| 6+6+6+6+30 | | 6,000 | 6,000 | 6,000 | 6,000 | 30,000 | 6,100 | 6,100 | 6,100 | 6,100 | 30,600 |
| 6+6+6+6+36 | | 6,000 | 6,000 | 6,000 | 6,000 | 36,000 | 6,100 | 6,100 | 6,100 | 6,100 | 36,800 |
| 6+6+6+9+9 | | 6,000 | 6,000 | 6,000 | 9,000 | 9,000 | 6,100 | 6,100 | 6,100 | 9,200 | 9,200 |
| 6+6+6+9+12 | | 6,000 | 6,000 | 6,000 | 9,000 | 12,000 | 6,100 | 6,100 | 6,100 | 9,200 | 12,300 |
| 6+6+6+9+18 | | 6,000 | 6,000 | 6,000 | 9,000 | 18,000 | 6,100 | 6,100 | 6,100 | 9,200 | 18,400 |
| 6+6+6+9+24 | | 6,000 | 6,000 | 6,000 | 9,000 | 24,000 | 6,100 | 6,100 | 6,100 | 9,200 | 24,500 |
| 6+6+6+9+30 | | 6,000 | 6,000 | 6,000 | 9,000 | 30,000 | 6,100 | 6,100 | 6,100 | 9,200 | 30,600 |
| 6+6+6+9+36 | | 6,000 | 6,000 | 6,000 | 9,000 | 36,000 | 6,100 | 6,100 | 6,100 | 9,200 | 36,800 |
| 6+6+6+12+12 | | 6,000 | 6,000 | 6,000 | 12,000 | 12,000 | 6,100 | 6,100 | 6,100 | 12,300 | 12,300 |
| 6+6+6+12+18 | | 6,000 | 6,000 | 6,000 | 12,000 | 18,000 | 6,100 | 6,100 | 6,100 | 12,300 | 18,400 |
| 6+6+6+12+24 | | 6,000 | 6,000 | 6,000 | 12,000 | 24,000 | 6,100 | 6,100 | 6,100 | 12,300 | 24,500 |
| 6+6+6+12+30 | | 6,000 | 6,000 | 6,000 | 12,000 | 30,000 | 6,100 | 6,100 | 6,100 | 12,300 | 30,600 |
| 6+6+6+18+18 | | 6,000 | 6,000 | 6,000 | 18,000 | 18,000 | 6,100 | 6,100 | 6,100 | 18,400 | 18,400 |
| 6+6+6+18+24 | | 6,000 | 6,000 | 6,000 | 18,000 | 24,000 | 6,100 | 6,100 | 6,100 | 18,400 | 24,500 |
| 6+6+9+9+9 | | 6,000 | 6,000 | 9,000 | 9,000 | 9,000 | 6,100 | 6,100 | 9,200 | 9,200 | 9,200 |
| 6+6+9+9+12 | | 6,000 | 6,000 | 9,000 | 9,000 | 12,000 | 6,100 | 6,100 | 9,200 | 9,200 | 12,300 |
| 6+6+9+9+18 | | 6,000 | 6,000 | 9,000 | 9,000 | 18,000 | 6,100 | 6,100 | 9,200 | 9,200 | 18,400 |
| 6+6+9+9+24 | | 6,000 | 6,000 | 9,000 | 9,000 | 24,000 | 6,100 | 6,100 | 9,200 | 9,200 | 24,500 |
| 6+6+9+9+30 | | 6,000 | 6,000 | 9,000 | 9,000 | 30,000 | 6,100 | 6,100 | 9,200 | 9,200 | 30,600 |
| 6+6+9+12+12 | | 6,000 | 6,000 | 9,000 | 12,000 | 12,000 | 6,100 | 6,100 | 9,200 | 12,300 | 12,300 |
| 6+6+9+12+18 | | 6,000 | 6,000 | 9,000 | 12,000 | 18,000 | 6,100 | 6,100 | 9,200 | 12,300 | 18,400 |
| 6+6+9+12+24 | | 6,000 | 6,000 | 9,000 | 12,000 | 24,000 | 6,100 | 6,100 | 9,200 | 12,300 | 24,500 |
| 6+6+9+12+30 | | 6,000 | 6,000 | 9,000 | 12,000 | 30,000 | 6,100 | 6,100 | 9,200 | 12,300 | 30,600 |
| 6+6+9+18+18 | | 6,000 | 6,000 | 9,000 | 18,000 | 18,000 | 6,100 | 6,100 | 9,200 | 18,400 | 18,400 |
| 6+6+9+18+24 | | 6,000 | 6,000 | 9,000 | 18,000 | 24,000 | 6,100 | 6,100 | 9,200 | 18,400 | 24,500 |
| 6+6+12+12+12 | | 6,000 | 6,000 | 12,000 | 12,000 | 12,000 | 6,100 | 6,100 | 12,300 | 12,300 | 12,300 |
| 6+6+12+12+18 | | 6,000 | 6,000 | 12,000 | 12,000 | 18,000 | 6,100 | 6,100 | 12,300 | 12,300 | 18,400 |
| 6+6+12+12+24 | | 6,000 | 6,000 | 12,000 | 12,000 | 24,000 | 6,100 | 6,100 | 12,300 | 12,300 | 24,500 |
| 6+6+12+18+18 | | 6,000 | 6,000 | 12,000 | 18,000 | 18,000 | 6,100 | 6,100 | 12,300 | 18,400 | 18,400 |
| 6+9+9+9+9 | | 6,000 | 9,000 | 9,000 | 9,000 | 9,000 | 6,100 | 9,200 | 9,200 | 9,200 | 9,200 |
| 6+9+9+9+12 | | 6,000 | 9,000 | 9,000 | 9,000 | 12,000 | 6,100 | 9,200 | 9,200 | 9,200 | 12,300 |
| 6+9+9+9+18 | | 6,000 | 9,000 | 9,000 | 9,000 | 18,000 | 6,100 | 9,200 | 9,200 | 9,200 | 18,400 |
| 6+9+9+9+24 | | 6,000 | 9,000 | 9,000 | 9,000 | 24,000 | 6,100 | 9,200 | 9,200 | 9,200 | 24,500 |
| 6+9+9+9+30 | | 6,000 | 9,000 | 9,000 | 9,000 | 30,000 | 6,100 | 9,200 | 9,200 | 9,200 | 30,600 |
| 6+9+9+12+12 | | 6,000 | 9,000 | 9,000 | 12,000 | 12,000 | 6,100 | 9,200 | 9,200 | 12,300 | 12,300 |
| 6+9+9+12+18 | | 6,000 | 9,000 | 9,000 | 12,000 | 18,000 | 6,100 | 9,200 | 9,200 | 12,300 | 18,400 |
| 6+9+9+12+24 | | 6,000 | 9,000 | 9,000 | 12,000 | 24,000 | 6,100 | 9,200 | 9,200 | 12,300 | 24,500 |
| 6+9+9+18+18 | | 6,000 | 9,000 | 9,000 | 18,000 | 18,000 | 6,100 | 9,200 | 9,200 | 18,400 | 18,400 |
| 6+9+12+12+12 | | 6,000 | 9,000 | 12,000 | 12,000 | 12,000 | 6,100 | 9,200 | 12,300 | 12,300 | 12,300 |
| 6+9+12+12+18 | | 6,000 | 9,000 | 12,000 | 12,000 | 18,000 | 6,100 | 9,200 | 12,300 | 12,300 | 18,400 |
| 6+9+12+12+24 | | 6,000 | 9,000 | 12,000 | 12,000 | 24,000 | 6,100 | 9,200 | 12,300 | 12,300 | 24,500 |
| 6+9+12+18+18 | | 6,000 | 9,000 | 12,000 | 18,000 | 18,000 | 6,100 | 9,200 | 12,300 | 18,400 | 18,400 |
| 6+12+12+12+12 | 6,000 | 12,000 | 12,000 | 12,000 | 12,000 | 6,100 | 12,300 | 12,300 | 12,300 | 12,300 | |
| 6+12+12+12+18 | 6,000 | 12,000 | 12,000 | 12,000 | 18,000 | 6,100 | 12,300 | 12,300 | 12,300 | 18,400 | |
| 9+9+9+9+9 | 9,000 | 9,000 | 9,000 | 9,000 | 9,000 | 9,200 | 9,200 | 9,200 | 9,200 | 9,200 | |
| 9+9+9+9+12 | 9,000 | 9,000 | 9,000 | 9,000 | 12,000 | 9,200 | 9,200 | 9,200 | 9,200 | 12,300 | |
| 9+9+9+9+18 | 9,000 | 9,000 | 9,000 | 9,000 | 18,000 | 9,200 | 9,200 | 9,200 | 9,200 | 18,400 | |
| 9+9+9+9+24 | 9,000 | 9,000 | 9,000 | 9,000 | 24,000 | 9,200 | 9,200 | 9,200 | 9,200 | 24,500 | |
| 9+9+9+12+12 | 9,000 | 9,000 | 9,000 | 12,000 | 12,000 | 9,200 | 9,200 | 9,200 | 12,300 | 12,300 | |
| 9+9+9+12+18 | 9,000 | 9,000 | 9,000 | 12,000 | 18,000 | 9,200 | 9,200 | 9,200 | 12,300 | 18,400 | |
| 9+9+9+18+18 | 9,000 | 9,000 | 9,000 | 18,000 | 18,000 | 9,200 | 9,200 | 9,200 | 18,400 | 18,400 | |
| 9+9+12+12+12 | 9,000 | 9,000 | 12,000 | 12,000 | 12,000 | 9,200 | 9,200 | 12,300 | 12,300 | 12,300 | |
| 9+9+12+12+18 | 9,000 | 9,000 | 12,000 | 12,000 | 18,000 | 9,200 | 9,200 | 12,300 | 12,300 | 18,400 | |
| 9+12+12+12+12 | 9,000 | 12,000 | 12,000 | 12,000 | 12,000 | 9,200 | 12,300 | 12,300 | 12,300 | 12,300 | |
| 9+12+12+12+18 | 9,000 | 12,000 | 12,000 | 12,000 | 18,000 | 9,200 | 12,300 | 12,300 | 12,300 | 18,400 | |
| 12+12+12+12+12 | 12,000 | 12,000 | 12,000 | 12,000 | 12,000 | 12,300 | 12,300 | 12,300 | 12,300 | 12,300 | |

UNIT MOUNTING (OUTDOOR)

Refer to the unit's installation instructions for further details.

Support – A location which can bear the weight of outdoor unit.

See “” on page 9 for weights, and “DIMENSIONS” on page 5.

Unit Leveling – For reliable operation, units should be level in all planes.

Clearances – Minimum clearances (See Figs. 8 and 9 on page 9), must be provided for airflow. The outdoor units are designed for free-blow applications. Air inlets and outlets should not be restricted.

Unit location – A location which is convenient to installation and not exposed to strong wind.

NOTE: Do not install the indoor or outdoor units in a location with special environmental conditions. For those applications, contact your sales representative.

System Operating Conditions

| | COOLING | HEATING |
|------------|------------------------|-------------------------|
| Outdoor DB | -22 / 122°F (30/ 50°C) | -22 / 75°F (-30 / 24°C) |

Metering Devices

The outdoor unit has multiple electronic expansion valves to manage the refrigerant flow to the different indoor fan coils connected to that unit.

WIRING

All wires must be sized per NEC (National Electrical Code) or CEC (Canadian Electrical Code) and local codes. Use Electrical Data table MCA (minimum circuit amps) and MOCP (maximum over current protection) to correctly size the wires and the disconnect fuse or breakers respectively.

RECOMMENDED CONNECTION METHOD FOR POWER AND COMMUNICATION WIRING:

The main power is supplied to the outdoor unit. The field supplied 14/3 stranded wire with ground with a 600 volt insulation rating, power/communication wiring from the outdoor unit to indoor unit consists of four (4) wires and provides the power for the indoor unit. Two wires are line voltage AC power, one is communication wiring (S) and the other is a ground wire. Wiring between indoor and outdoor unit is polarity sensitive. The use of BX wire is **NOT** recommended.

If installed in a high Electromagnetic field (EMF) area and communication issues exists, a 14/2 stranded shielded wire can be used to replace L2 and (S) between outdoor unit and indoor unit landing the shield onto ground in the outdoor unit only.

| CABLE | CABLE SIZE | REMARKS |
|------------------|------------|------------------------------------|
| Connection Cable | 14AWG | 3 wire + Ground 1 ϕ 208/230 V |



WARNING

EQUIPMENT DAMAGE HAZARD

Failure to follow this caution may result in equipment damage or improper operation.

Wires should be sized based on NEC and local codes.



WARNING

EQUIPMENT DAMAGE HAZARD

Failure to follow this caution may result in equipment damage or improper operation.

Be sure to comply with local codes while running wire from the indoor unit to the outdoor unit.

Every wire must be connected firmly. Loose wiring may cause the terminal to overheat or result in unit malfunction. A fire hazard may also exist. Ensure all wiring is tightly connected.

No wire should touch the refrigerant tubing, compressor or any moving parts.

Disconnecting means must be provided and shall be located within sight and readily accessible from the air conditioner.

Follow Local Codes.

Connecting cable with conduit shall be routed through the hole in the conduit panel.

PIPING REQUIREMENTS

IMPORTANT: Both refrigerant lines must be insulated separately.

The minimum refrigerant line length between the indoor and outdoor units is 10 ft. (3 m). The following lengths are allowed. The following **Refrigerant Piping Table** lists the pipe sizes for the outdoor unit. For the indoor unit pipe sizes refer to the indoor unit installation instructions.

Refrigerant Piping:

Line sets to be sized based on the connection size of the indoor unit. Each pipe should be insulated individually.

| 38MGR SIZE | | 18R | 24HH | 30HH | 36R | 36HH | 48R | 48HH |
|---|-------------|-------------|-----------|---------------|---------------|---------------|---------------|---------------|
| | | (208/230 V) | | | | | | |
| Min. Piping Length per each indoor unit | ft. (m) | 10 (3) | | | | | | |
| Standard Piping Length per each indoor unit | ft. (m) | 25 (7.5) | | | | | | |
| Max. outdoor-indoor height difference (OU higher than IU) | ft. (m) | 49(15) | 49(15) | 49(15) | 49(15) | 65(20) | 65(20) | 65(20) |
| Max. outdoor-indoor height difference (IU higher than OU) | ft. (m) | 49(15) | 49(15) | 49(15) | 49(15) | 65(20) | 65(20) | 65(20) |
| Max. height different between indoor units | ft. (m) | 32 (10) | | | | | | |
| Max. Length per each indoor unit | ft. (m) | 82 (25) | 98 (30) | 115(35) | 115(35) | 115(35) | 115 (35) | 115 (35) |
| Max. Piping Length with no additional refrigerant charge per System (Standard Piping length x No. of Zones) | ft. (m) | 50 (15) | 75 (22) | 100 (30) | 100 (30) | 100 (30) | 125 (37.5) | 125 (37.5) |
| Total Maximum Piping Length per system | ft. (m) | 131(40) | 197(60) | 262(80) | 262(80) | 262(80) | 328(100) | 328(100) |
| Additional refrigerant charge (between Standard – Max piping length) | Oz/ft (g/m) | 0.16 (15) | | | | | | |
| Number of IDU | | 2 | 3 | 4 | 4 | 4 | 5 | 5 |
| Suction Pipe (size - connection type) | in | 3/8*2 | 3/8*3 | 1/2 *1+ 3/8*3 | 1/2 *1+ 3/8*3 | 1/2 *2+ 3/8*2 | 1/2 *2+ 3/8*3 | 1/2 *2+ 3/8*3 |
| | (mm) | 9.52*2 | 9.52*3 | 12.7*1+9.52*3 | 12.7*1+9.52*3 | 12.7*2+9.52*2 | 12.7*2+9.52*3 | 12.7*2+9.52*3 |
| Liquid Pipe (size - connection type) | in | 1/4*2 | 1/4*3 | 1/4*4 | 1/4*4 | 1/4*4 | 1/4*5 | 1/4*5 |
| | (mm) | 6.35*2 | 6.35*3 | 6.35*4 | 6.35*4 | 6.35*4 | 6.35*5 | 6.35*5 |
| Refrigerant Type | | R410A | | | | | | |
| Charge Amount | Lbs (kg) | 4.08(1.85) | 5.73(2.6) | 8.38(3.8) | 8.38(3.8) | 10.14 (4.6) | 10.14 (4.6) | 10.14(4.6) |

NOTE: For piping runs greater than the “Maximum Piping Length with no additional refrigerant charge per System”, see the Additional Refrigerant Charge note in the Long-Line Applications section.

NOTE: A maximum two (2) AHUs can be added to a MZ system. Refer to the application tables in the product data for allowed combinations. Regardless of size, when two (2) AHUs are connected to any MZ ODU, no other indoor units can be added to the system. If a 30K or 36K AHU is connected to a any outdoor unit, 500g (17.6 Oz) of additional refrigerant charge has to be added to the system. 30K or 36K indoor units are not compatible with phased out models.

General Guidelines:

- The outdoor units are shipped with a full charge of R-410A refrigerant. For runs over the Maximum Piping Length with no additional refrigerant charge per system, consult “Refrigerant Piping:” on page 134 for proper charge adjustments.
- Refrigerant lines should not be buried in the ground. If it is necessary to bury the lines, do not bury more than 36 inches (914 mm). Provide a minimum of 6 inch (152 mm) vertical rise to the service valves to prevent refrigerant migration.
- Both lines must be insulated. Use a minimum of ½-inch (12.7 mm) thick insulation. Closed-cell insulation is recommended in all long-line applications.

- Special consideration should be given to isolating the interconnecting tubing from the building structure. Isolate the tubing so vibration or noise does not transmit into the structure.

Long-Line Applications

No change in line sizing is required.

Drain Connections

Install drains that meet the local sanitation codes.

Control System

The **38MG(R/H)B** unit is equipped with a microprocessor control to operate the system and give optimum levels of comfort and operating efficiency. There are microprocessor boards and thermistors located in both the indoor and outdoor units. The thermistors monitor the system operation and control the operating mode.

Sequence of Operation

NOTE: Simultaneous heating and cooling is not allowed.

The **HEATING** mode is the system’s primary mode and the mode controls the operation mode for the remaining indoor units connected to the same outdoor unit. If any unit in the system is set to the **HEATING** mode, the system switches to heat. If any unit is in the **COOLING** mode, while any unit in the system is set to the **HEATING** mode, the units set to **COOLING** enter the **CONFLICT** mode and an error message appears on the units in the **COOLING** mode.

MULTI-ZONE HEAT PUMP HORIZONTAL DISCHARGE OUTDOOR DUCTLESS SYSTEM

Size Range: 1 1/2, 2, 2 1/2, 3 and 4 Ton Nominal Cooling and Heating Capacity
 Model Number: **38MG(R/H)B**

Part 1 - General**1.01 System Description**

- a. Outdoor air-cooled split system compressor sections suitable for on-the-ground, rooftop, wall hung or balcony mounting. Units consist of a variable speed rotary compressor, an air-cooled coil, propeller-type draw-through outdoor fan, reversing valve, accumulator, electronic expansion valves, multiple service valves, and controls that allow multiple indoor units to be connected to the outdoor unit. Units discharge horizontally as shown on the contract drawings. Units function as the outdoor component of an air-to-air heat pump system.
- b. Units are designed for use in a refrigeration circuit matched to two, three, four, or five multi style heat pump fan coil units.

1.02 Agency Listings

- a. Unit construction complies with ANSI/ASHRAE 15, latest revision, and with the NEC.
- b. Units are evaluated in accordance with the UL standard 1995.
- c. Units are listed in CEC directory.
- d. Unit cabinet is capable of withstanding the 500-hour salt spray test per Federal Test Standard no. 141 (method 6061).
- e. Air-cooled condenser coils are leak tested at 550 psig.

1.03 Delivery, Storage, And Handling

Units are shipped in one piece and are stored and handled per the manufacturer's recommendations.

1.04 Warranty (For Inclusion By Specifying Engineer)**Part 2 - Products****2.01 Equipment****1. General:**

Factory assembled, single piece, air-cooled outdoor unit. Contained within the enclosure are the factory wiring, piping, controls, and the compressor.

2. Unit Cabinet:

- a. The unit cabinet is constructed of galvanized steel, bonderized and coated with baked-enamel finish on the inside and outside.
- b. The unit access panel is removable and provides full access to the compressor, fan, and the control components.
- c. The outdoor compartment is isolated and has an acoustic lining to assure a quiet operation.

3. Fans:

- a. The outdoor fans are direct-drive propeller type, and discharge air horizontally. The fan draws air through the outdoor coil.
- b. Outdoor fan motors are multi-speed, totally-enclosed, single phase motors with permanently lubricated ball bearings. The motor is protected by internal thermal overload protection.
- c. The shaft has an inherent corrosion resistance.
- d. Outdoor fan openings are equipped with a metal/mesh PVC coated protection grille over the fan.

4. Compressor:

- a. The compressor is the fully hermetic variable speed rotary type.
- b. The compressor is inverter driven.
- c. The compressor is equipped with an oil system, operating oil charge, and motor.
- d. The motor is suitable for operation in a refrigerant and oil atmosphere.
- e. The compressor assembly is installed on rubber vibration isolators.
- f. The inverter and compressor are protected against over temperature and over current.

5. Outdoor Coil:

The coil is constructed of aluminum golden hydrophilic pre-coated fins mechanically bonded to seamless copper tubes, which are cleaned, dehydrated and sealed.

6. Refrigerant Components:

Refrigerant circuit components include multiple brass external liquid line service valves with a service gauge connection port, multiple suction line service valves with a service gage connection port, accumulator, reversing valve, and electronic expansion valves.

7. Safeties:

Operating safeties are factory selected, assembled, and tested. The minimum functions include the following:

- a. Compressor discharge over temperature protection.
- b. System low voltage protection.
- c. Compressor overload protection.
- d. Compressor over current protection.
- e. IPM module protection.

8. Electrical Requirements:

- a. Units operate on single-phase, 60 Hz power at 208/230v.
- b. The unit electrical power is a single point connection.
- c. All power and control wiring must be installed per NEC and all local electrical codes.
- d. Units have multiple terminal blocks to connect to multiple indoor units.

