

DFKE-001 DOWNFLOW KIT

INSTALLATION INSTRUCTIONS

ATTENTION INSTALLING PERSONNEL

As a professional installer, you have an obligation to know the product better than the customer. This includes all safety precautions and related items.

Prior to actual installation, thoroughly familiarize yourself with this Instruction Manual. Pay special attention to all safety warnings. Often during installation or repair, it is possible to place yourself in a position which is more hazardous than when the unit is in operation.

Remember, it is **your** responsibility to install the product safely and to know it well enough to be able to instruct a customer in its safe use.

Safety is a matter of common sense...a matter of thinking before acting. Most dealers have a list of specific good safety practices...follow them.

The precautions listed in this Installation Manual are intended as supplemental to existing practices. However, if there is a direct conflict between existing practices and the content of this manual, the precautions listed here take precedence.

SAFETY PRECAUTIONS

The following symbols and labels are used throughout this manual to indicate immediate or potential safety hazards. It is the owner's and installer's responsibility to read and comply with all safety information and instructions accompanying these symbols. Failure to heed safety information increases the risk of personal injury, property damage, and/or product damage.

**PROP 65 WARNING
FOR CALIFORNIA CONSUMERS**

⚠ WARNING


Cancer and Reproductive Harm -
www.P65Warnings.ca.gov

0140M00513-A

⚠ WARNING

HIGH VOLTAGE !

DISCONNECT ALL POWER BEFORE SERVICING.
MULTIPLE POWER SOURCES MAY BE PRESENT. FAILURE TO DO SO MAY CAUSE PROPERTY DAMAGE, PERSONAL INJURY OR DEATH.



⚠ WARNING

DO NOT USE ANY PARTS THAT ARE NOT DESIGN CERTIFIED BY THE MANUFACTURER FOR USE WITH THIS UNIT. SERIOUS PROPERTY DAMAGE, PERSONAL INJURY, REDUCED UNIT PERFORMANCE AND/OR HAZARDOUS CONDITIONS MAY RESULT FROM THE USE OF SUCH NON-APPROVED PARTS.

⚠ WARNING








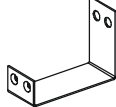
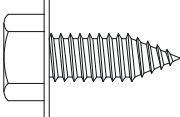
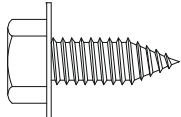
Only personnel that have been trained to install, adjust, service or repair (hereinafter, "service") the equipment specified in this manual should service the equipment. The manufacturer will not be responsible for any injury or property damage arising from improper service or service procedures. If you service this unit, you assume responsibility for any injury or property damage which may result. In addition, in jurisdictions that require one or more licenses to service the equipment specified in this manual, only licensed personnel should service the equipment. Improper installation, adjustment, servicing or repair of the equipment specified in this manual, or attempting to install, adjust, service or repair the equipment specified in this manual without proper training may result in product damage, property damage, personal injury or death.

⚠ CAUTION

WHEN INSTALLING OR SERVICING THIS EQUIPMENT, SAFETY CLOTHING, INCLUDING HAND AND EYE PROTECTION, IS STRONGLY RECOMMENDED. IF INSTALLING IN AN AREA THAT HAS SPECIAL REQUIREMENTS (HARD HATS, ETC) OBSERVE THESE REQUIREMENTS.

DESCRIPTION

The DFKE-001 Downflow Kit is applied to the evaporator coil in order to prevent possible water leaks. The kit must be installed for all downflow installations, regardless of room humidity. **Do not install this kit in an upflow application.**

		
(2) Drain Pan Drip Shield	(2) Coil Baffle Plate	(2) Block Off Rod
		
(1) Caulking Tape	(2) Drain Pan Rain Insulation	(1) Return Bend Drip Shield Left (1) Return Bend Drip Shield Right
		
(1) Manifold Drip Shield	(2) Manifold Drip Shield Support	(6) #10 Self Tapping Screw
		
(2) 1/4" Self Tapping Screw		



KIT INSTRUCTIONS:

REMOVING THE COIL

1. Disconnect Internal Control Wiring

- Disconnect the control panel wiring from component wiring using the EEV, Pressure sensor and Thermistor connectors located on the outside of the control panel. See Figure 1.

NOTE: To prevent component wiring damage, the control panel should be removed from the front panel. Removing the control panel will assist in allowing the wiring to be safely pushed through the panel wireway. The control panel is detached from the front panel by removing the four mounting screws located on the four corners of the control panel.

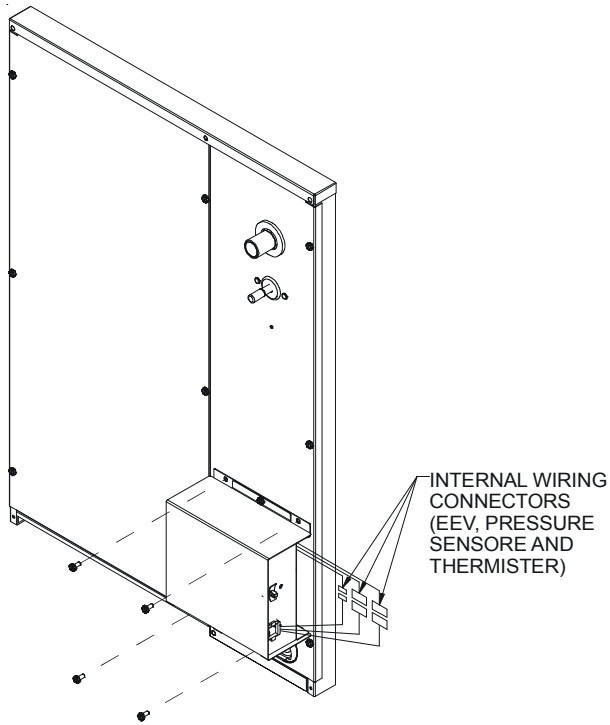


Figure 1 - Front of Coil

2. Remove both the right and left front access panels.
3. Slide the coil on the rails toward front carefully until it is free.

CAUTION

DO NOT HANDLE COIL ASSEMBLY WITH MANIFOLD, FLOWRATOR TUBES OR LIQUID TUBES. DOING SO MAY RESULT IN DAMAGE TO THE TUBING JOINTS. ALWAYS USE CLEAN GLOVES FOR HANDLING COIL ASSEMBLIES.

DRAIN PAN DRIP SHIELD

The drain pan drip shield catches the water that travels along the coil.

4. Loosen the two screws fixing the triangle end plate and drain pan to the front side of the coil. Removal of these screws is not required.

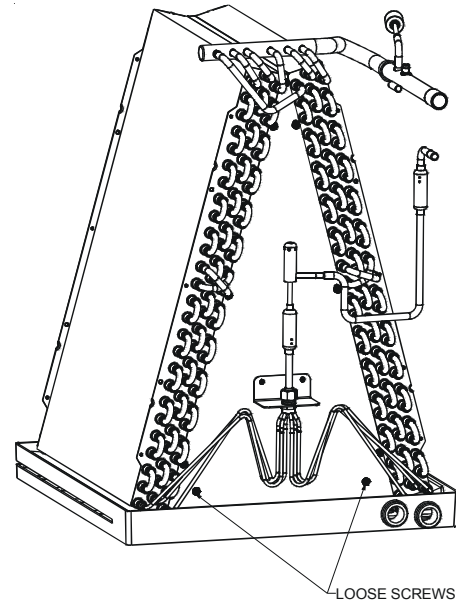


Figure 2 - Front of Coil

5. Remove the triangle end plate on the back end of the coil.

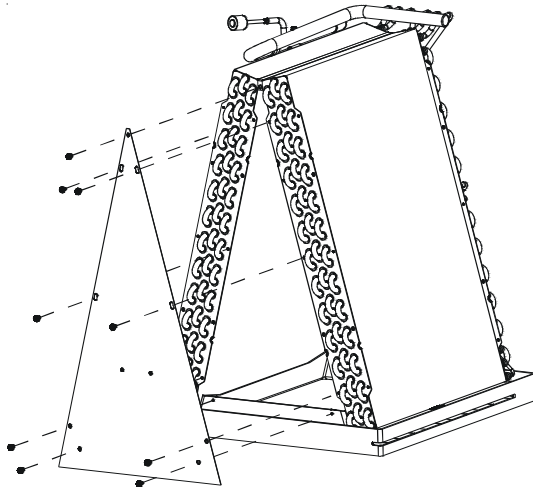


Figure 3 -Back of Coil

- Carefully insert the drip shields into the left and right side gaps between the inside of the coil and drain pan.

CAUTION

Do not press aluminum fin of coil. Doing so may result in damage to the fin.

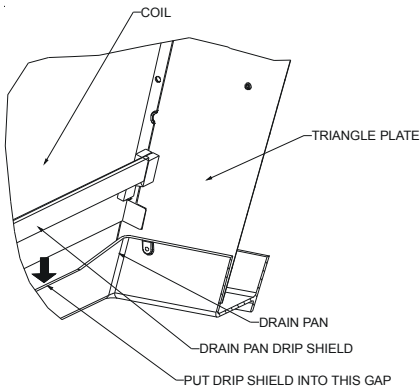


Figure 4 - Inside of the Coil

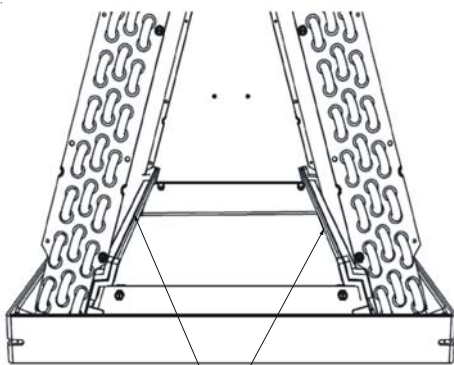
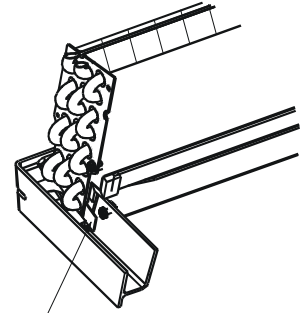


Figure 5



TABS ON BOTH SIDE SHOULD HUNG ON THE DRAIN PAN

Figure 6 - Inside of the Coil

- Make sure the drip shields are inserted all the way.

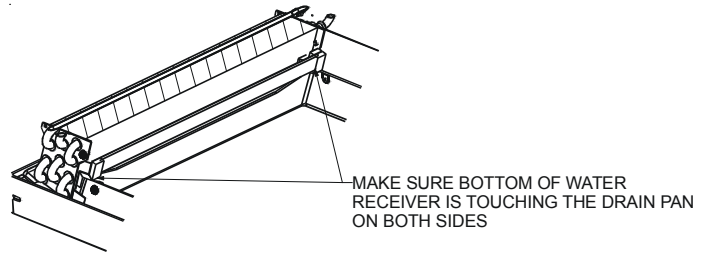


Figure 7

BLOCK OFF RODS

Block off rods work to close gaps that can cause water leaks between the end plate and fins.

- Slide the top plate to expose the top of the coil, then insert the rods from the top of the coil into the gap between hair pin tubes, end plate and fin. The block off rods have to be inserted until the rod spans the coil's full height. The rods should be in the backside of the coil, on the innermost row.

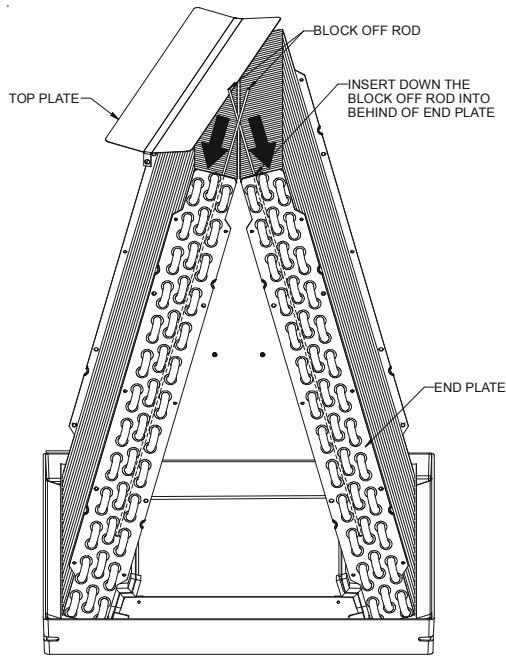


Figure 8 - Back of Coil

9. Reinstall the rear triangle plate and secure it with the factory installed screws.

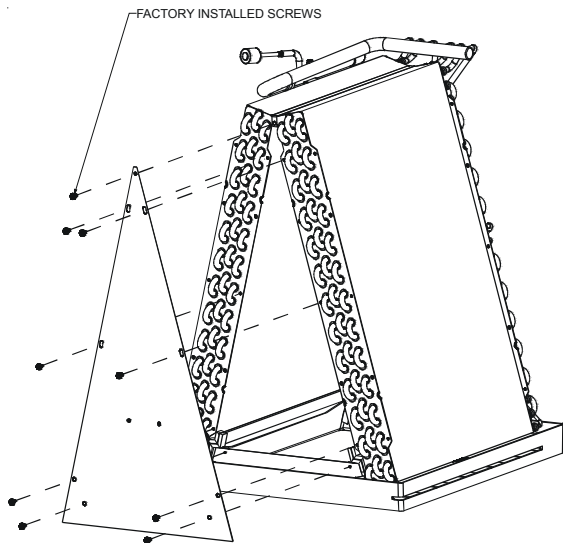


Figure 9 - Back of the Coil

10. Secure the top plate and tighten the front screws that were loosened in step 4.

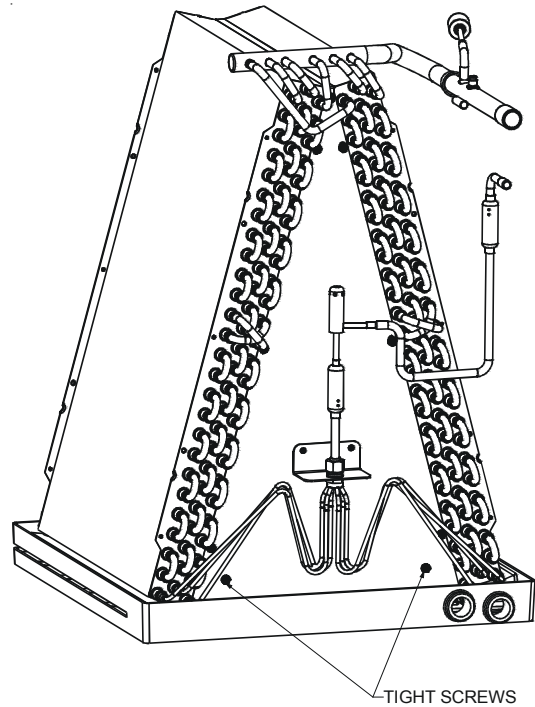


Figure 10 - Front of the Coil

COIL Baffle PLATE

The coil baffle plates block high air flow streams that may blow the water out from drain pan.

11. The coil baffle plates are secured on bottom outside of both right and left coil with two #10 self tapping screws per one baffle plate. Make sure orientation of the baffle plate is the same as follows in illustration and that the bottom edge of baffle plates are inside of drain pan all the way.

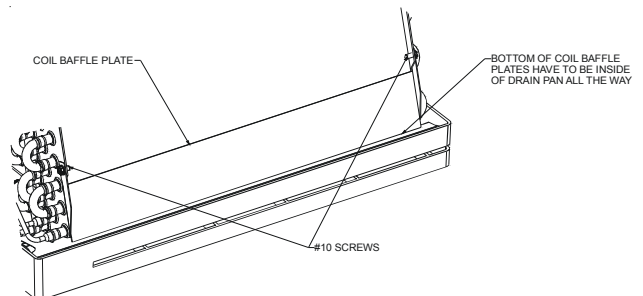


Figure 11 - Bottom of the Coil

CAUTION

MAKE SURE THAT YOU ARE USING THE ORIGINAL SCREW HOLES ON THE DRAIN PAN WHEN YOU INSTALL SCREWS INTO THE DRAIN PAN. LEAKS ARE POSSIBLE IF NEW HOLES ARE SCREWED INTO THE DRAIN PAN RESIN.

CAULKING TAPE

Caulking tape is used to close gaps between the triangle plate and end plate that allows water leaks.

- Apply the caulking tape along the edges of the triangle plate and the end plate to cover gaps. This should be applied on four edges in total (right and left side of the triangle plate, front and back.)

NOTE: Don't apply the caulking tape over the screws of the front triangle plate. It may mix up when you install return bend drip shield in following steps.

Apply the caulking tape securely with spatula. Don't allow the caulking to be removed from the applied surface.

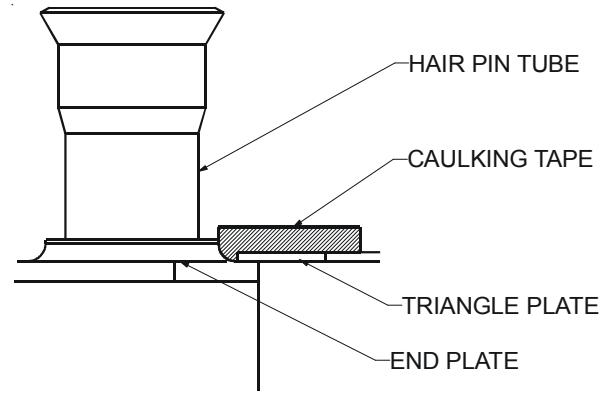


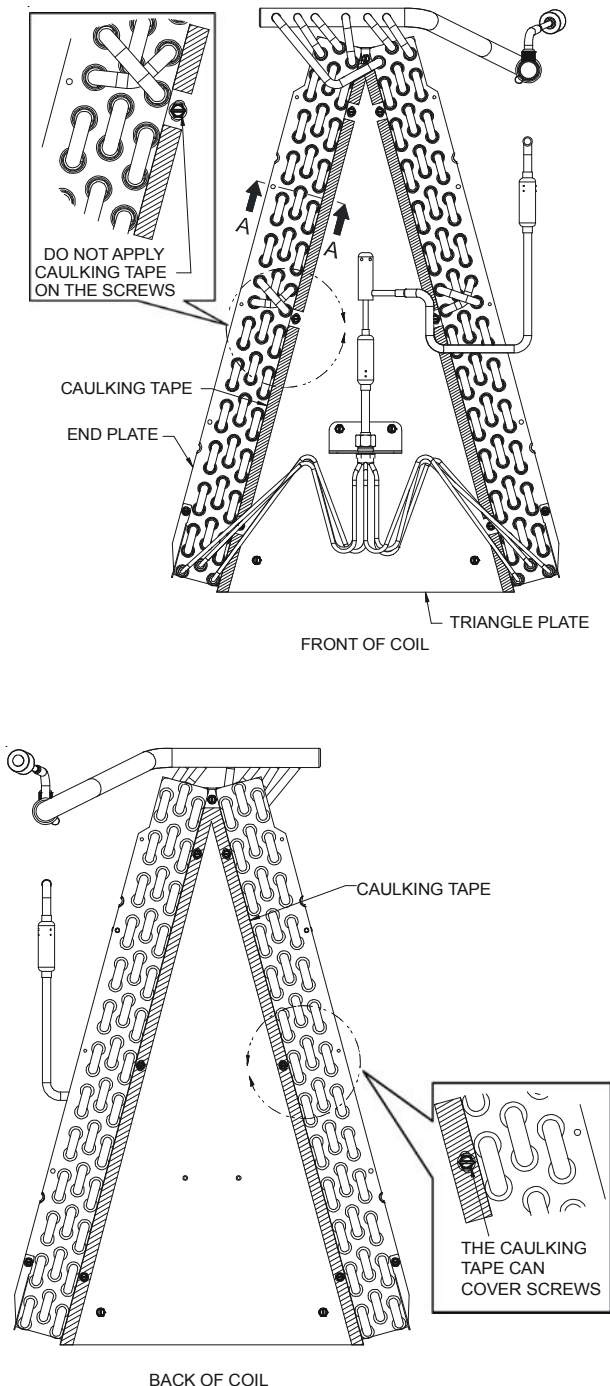
Figure 13 - Section A-A

RETURN BEND DRIP SHIELD

The return bend shield traps water drops from the return bend and prevents water from reaching the outside of the drain pan.

- The return bend drip shields should only be installed on the front side of the coil, with three stock screws per drip shield on both the left and right sides of the triangle plate. The slope of the drip shield should be towards the bottom.

NOTE: Check stamps "L" and "R" on the return bend drip shields for left and right recognition.



BACK OF COIL
Figure 12

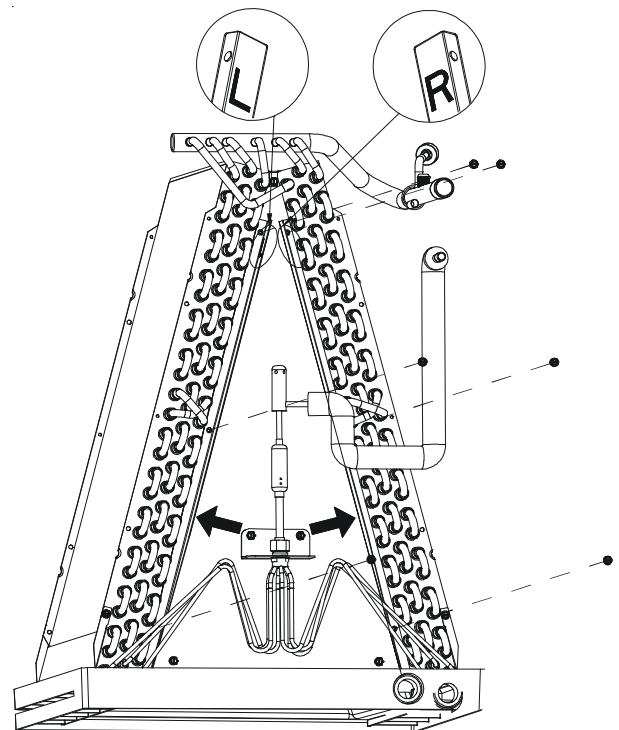


Figure 14 - Front of the Coil

MANIFOLD DRIP SHIELD

The manifold drip shield can catch water drips from the manifold assembly and prevent water droplets from escaping the drain pan. The manifold drip shield is installed with two drip shield supports.

- Secure the drip shield on the end plates shown in the figure below by using attached self tapping screws (X 2).

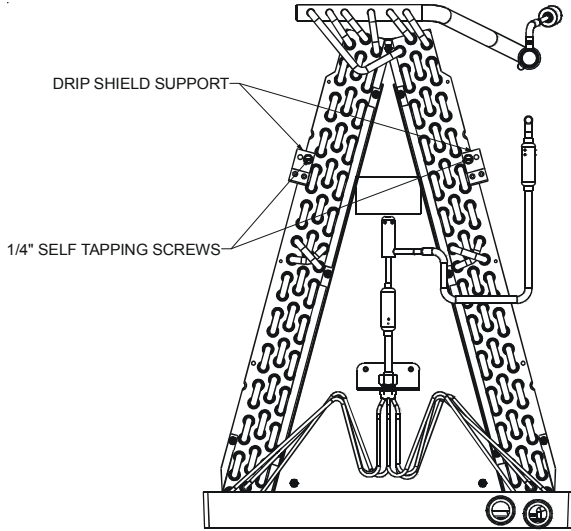


Figure 15 - Front of the Coil

Make sure the orientation of drip shield is the same as the figure below 17,18.

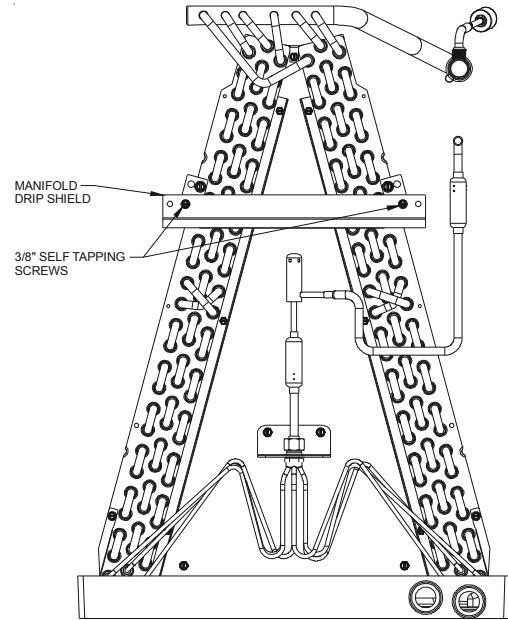


Figure 17 - Front of Coil

- Secure the manifold drip shield onto the drip shield supports by using the attached #10 self tapping screws (X2). Use the screw holes table 1 shows.

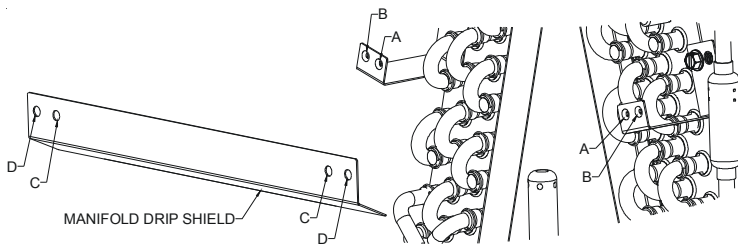


Figure 16

	CAPE4860C	CAPE4860D	CAPE4961C	CAPE4961D
SCREW HOLE	B, C	A, C	B, D	A, D

Table 1

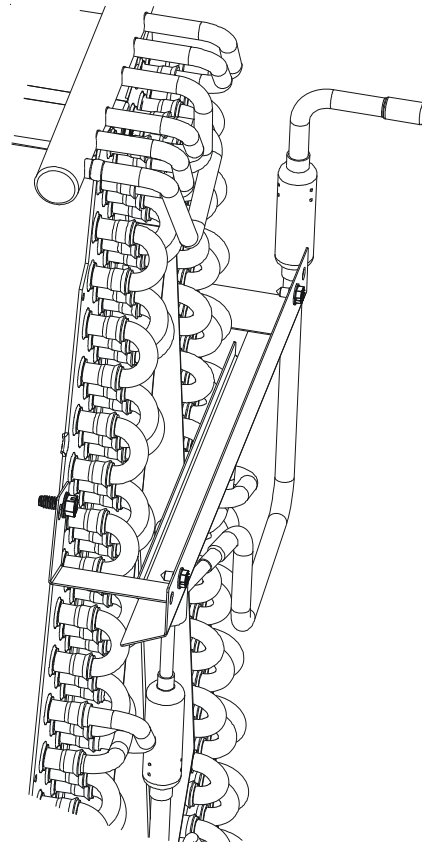


Figure 18

DRAIN PAN RAIL INSULATION

Drain pan insulation is applied to the side of the drain pan rail to prevent possible condensation from forming on the drain pan rail.

16. Unscrew three screws per drain pan rail and remove the rails from the cabinet.

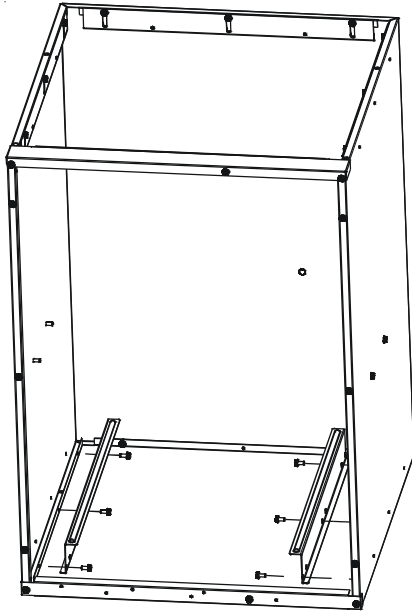


Figure 19

17. Apply the drain pan rail insulation on both drain pan rails, like the figure below.

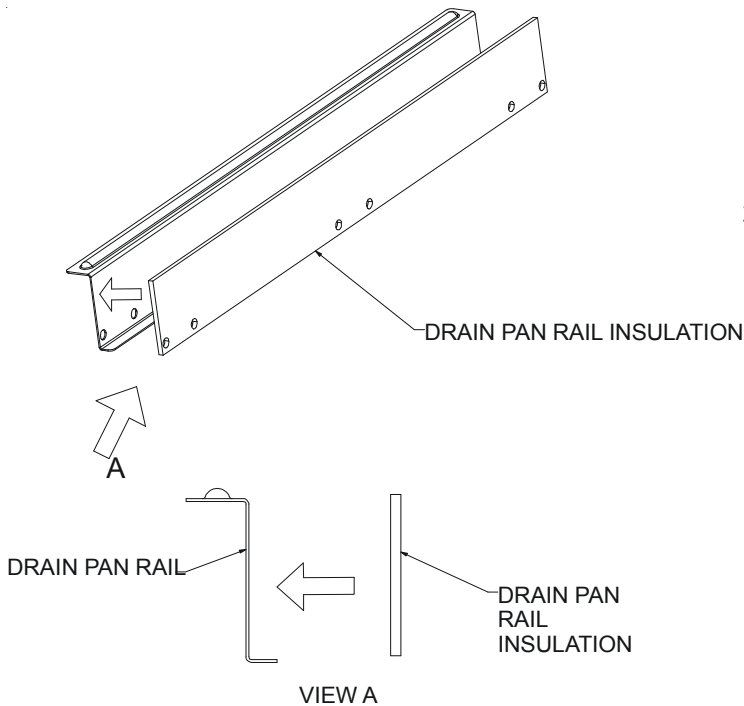


Figure 20

18. Reinstall the drain pan rails to their original location.

REINSTALL THE COIL

19. Lift the coil up and insert the drain pan into the drain pan rails. Push the coil along the rails until the drain pan touches the back of wrapper.

CAUTION

DO NOT HANDLE COIL ASSEMBLY WITH MANIFOLD, FLOWRATOR TUBES, OR LIQUID TUBES. DOING SO MAY RESULT IN DAMAGE TO THE TUBING JOINTS. ALWAYS USE CLEAN GLOVES FOR HANDLING COIL ASSEMBLIES.

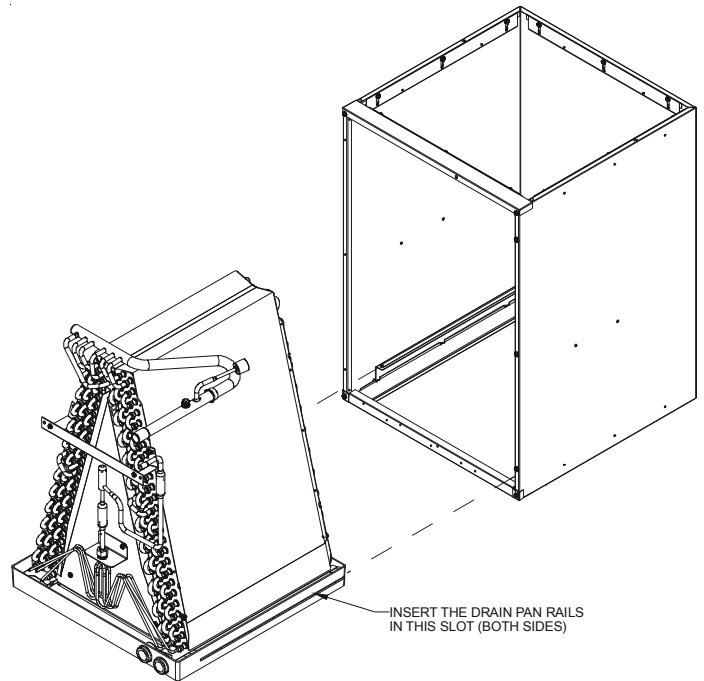


Figure 21

20. Reinstall both the right and left front access panels.

CUSTOMER FEEDBACK

Daikin is very interested in all product comments.
Please fill out the feedback form on the following link:
<https://daikincomfort.com/contact-us>

You can also scan the QR code on the right to be directed to the feedback page.



PRODUCT REGISTRATION

Thank you for your recent purchase. Though not required to get the protection of the standard warranty, registering your product is a relatively short process, and entitles you to additional warranty protection, except that failure by California and Quebec residents to register their product does not diminish their warranty rights.

For Product Registration, please register by following this link:
<https://daikincomfort.com/owner-support/product-registration>

You can also scan the QR code on the right to be directed to the Product Registration page.



NOTE: SPECIFICATIONS AND PERFORMANCE DATA LISTED HEREIN ARE SUBJECT TO CHANGE WITHOUT NOTICE

Quality Makes the Difference!

All of our systems are designed and manufactured with the same high quality standards regardless of size or efficiency. We have designed these units to significantly reduce the most frequent causes of product failure. They are simple to service and forgiving to operate. We use quality materials and components. Finally, every unit is run tested before it leaves the factory.

That's why we know. . .There's No Better Quality.

© 2018 **DAIKIN MANUFACTURING COMPANY, L.P.**

5151 San Felipe St., Suite 500, Houston, TX 77056

www.daikinac.com