

Home Care Technical Specification

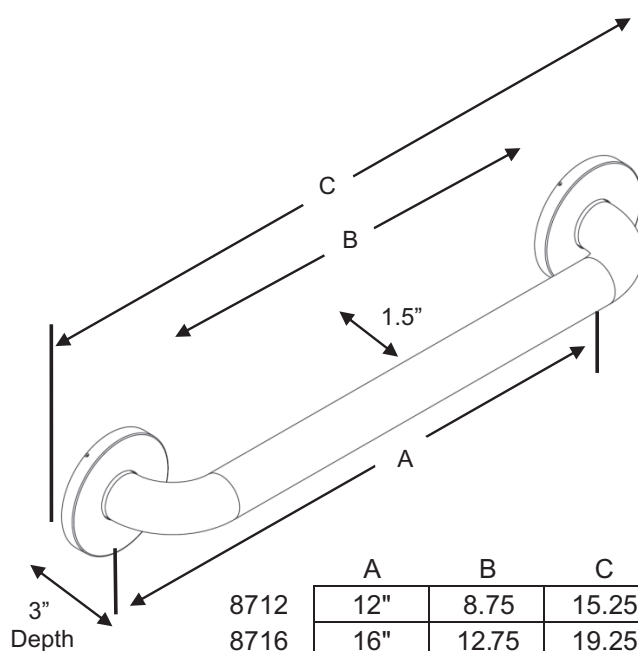
1 1/4" Grab Bars – Concealed Screw

8700

Stock Numbers:

- **R8712W, DN8712, LR8712W – 12" Grab Bar**
Stainless Steel or White Finish, 1 1/4" Bar
- **8716, R8716W, LR8716W – 16" Grab Bar**
Stainless Steel or White Finish, 1 1/4" Bar
- **8718, L8718, R8718PS, LR8718PS, R8718PB, LR8718W, R8718W – 18" Grab Bar**
Stainless Steel, Polished Stainless, Polished Brass, or White Finish, 1 1/4" Bar
- **8724, L8724, R8724PS, LR8724PS, LR8724W R8724PB, R8724W – 24" Grab Bar**
Stainless Steel, Polished Stainless, Polished Brass, or White Finish, 1 1/4" Bar
- **8730, R8730W – 30" Grab Bar**
Stainless Steel or White Finish, 1 1/4" Bar
- **8732, R8732W – 32" Grab Bar**
Stainless Steel or White Finish, 1 1/4" Bar
- **R8736PS, R8736W, 8736, L8736– 36" Grab Bar**
Stainless Steel or White Finish, 1 1/4" Bar
- **8742, R8742PS, R8742W -42" Grab Bar**
Stainless Steel, Polished Stainless Steel, or White Finish, 1 1/4" Bar
- **8748, R8748W – 48" Grab Bar**
Satin Finish or White Finish, 1 1/4" Bar

Dimensions:



	A	B	C
8712	12"	8.75	15.25
8716	16"	12.75	19.25
8718	18"	14.75	21.25
8724	24"	20.75	27.25
8730	30"	26.75	33.25
8732	32"	28.75	35.25
8736	36"	32.75	39.25
8742	42"	38.75	45.25
8748	48"	44.75	51.25

Materials:

- 1 1/4" Grab Bar rods are formed from type 304 stainless steel tubing.
- 12" – 42" length is 20 gauge
- 48" length is 18 gauge

Compliance:

- ADA, ANSI, ASTM, CSA
- Tested to 500lbs. pull

Installation Instructions:

1. Position unit on wall in desired location.
 2. Mark mounting holes.
 3. Drill starter holes.
 4. Mount unit on wall using 2" screws (provided).
 5. Snap flange covers into place.
- Note:** SecureMount Anchors are recommended for use in non-stud (hollow-wall) applications per installation instructions.
(Secure Mount Anchors are sold separately)

Cleaning Instructions:

To preserve the fine finish of this product, clean only with a soft damp cloth. Dry well. Do not use commercial or abrasive cleaners.

Stock Number: _____ 1 1/4" Grab Bar
By Moen Incorporated

MOEN®

25300 AL MOEN DRIVE • NORTH OLMSTED, OH 44070
CORPORATE HEADQUARTERS: (800) 321-8809 • FAX: (800) 848-6636
INTERNATIONAL: (440) 962-2000 • FAX: (440) 962-2726
CUSTOMER SERVICE (USA): 800-882-0116 • FAX: (888) 379-2720
WWW.MOEN.COM

©Moen Incorporated. Moen is a registered trademark and Voss is a trademark of Moen Incorporated. All rights reserved.