



# PARTS BREAKDOWN SHEET



## ACCENT TWO HANDLE ROMAN TUB VALVE TRIM ONLY



**Model #:** \_\_\_\_\_

**Specific Features:** \_\_\_\_\_

**Project Name:** \_\_\_\_\_

**Submitted For:** \_\_\_\_\_

**Date:** \_\_\_\_\_

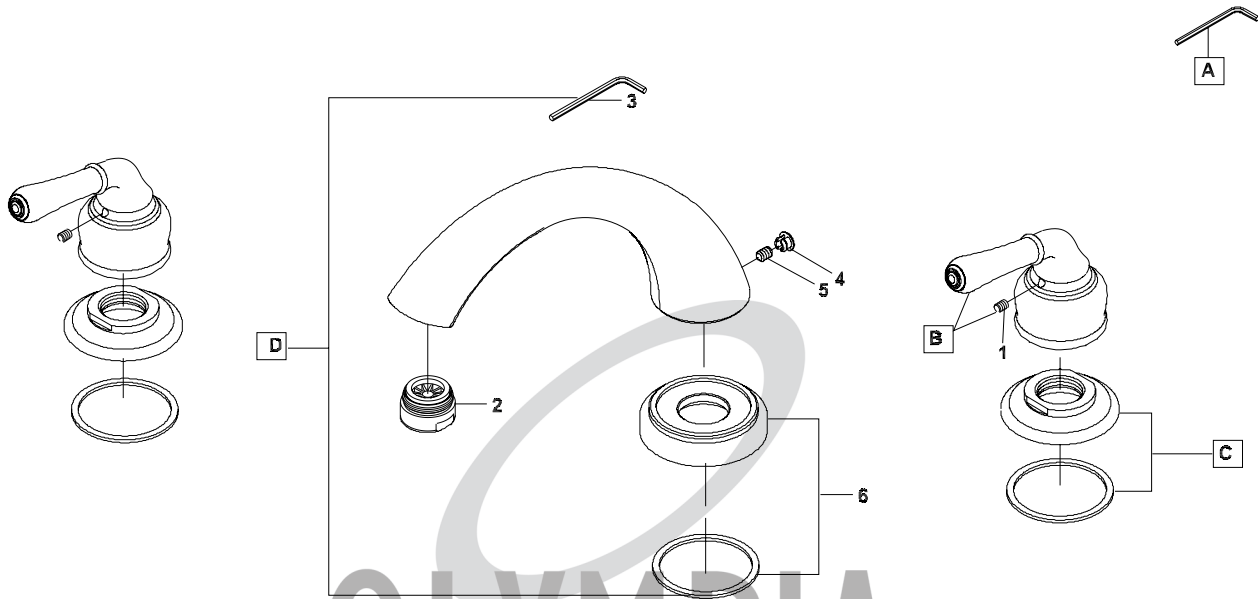
- Lever Handles
- 'C' Style Spout
- 7-1/2" Reach
- 3-Hole 8" to 16" Installation

# P-1131T SHOWN **ADA**

Model #	Features	Finish	
P-1131T		CP	
P-1131T-BN		PVD BN	
P-1131T-ORB		ORB	

Olympia products are engineered and manufactured to meet the following standards and codes:

- ASME A112.18.1
- ANSI A117.1
- IAPMO LISTED



ITEM #	DESCRIPTION
A	OP-490011 3/32" Allen Wrench
B	OP-140007* Lever Handle
C	OP-490044 Stem Extension
D	OP-440031* Valve Escutcheon
E	OP-240007* Spout
1	OP-490029 Allen Screw
2	OP-440027* Male Thread Streamer
3	OP-490036 1/8" Allen Wrench
4	OP-440028* Button
5	OP-440029 Allen Screw
6	OP-440030* Spout Escutcheon

\* Note- Please Specify finish/color code while ordering.