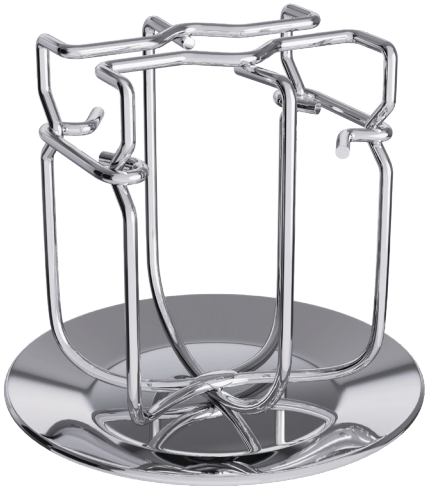


SPRINKLER HEAD GUARD WITH SHIELD

Figure 1018S



NFP1018SCDF

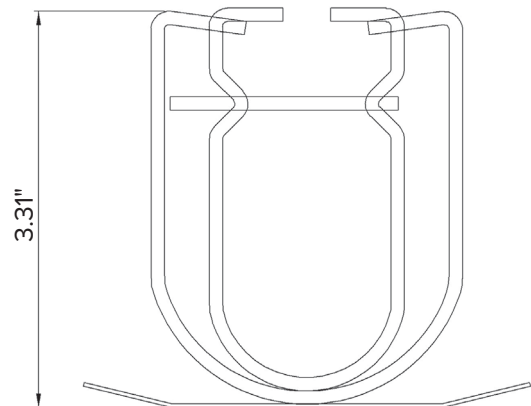
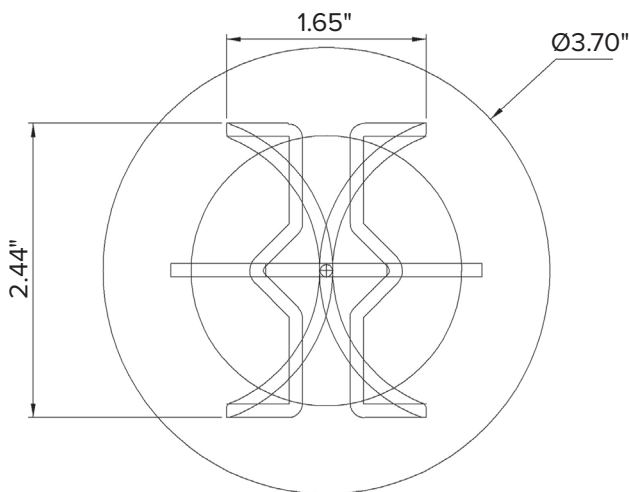


NFP1018SRDF

FEATURES & BENEFITS

- Protects against minor impacts to recessed sprinkler heads
- Two-hook design allows for installation on most 1/2" and 3/4" heads
- Water shield provides protection for in-rack sprinkler heads*
- Available Finishes: Red and chrome plated

PART NUMBER	FINISH	MATERIAL
NFP1018SRDF	Red	0.12" Steel Wire
NFP1018SCDF	Chrome Plated	0.12" Steel Wire



*Will not function properly in the pendent position