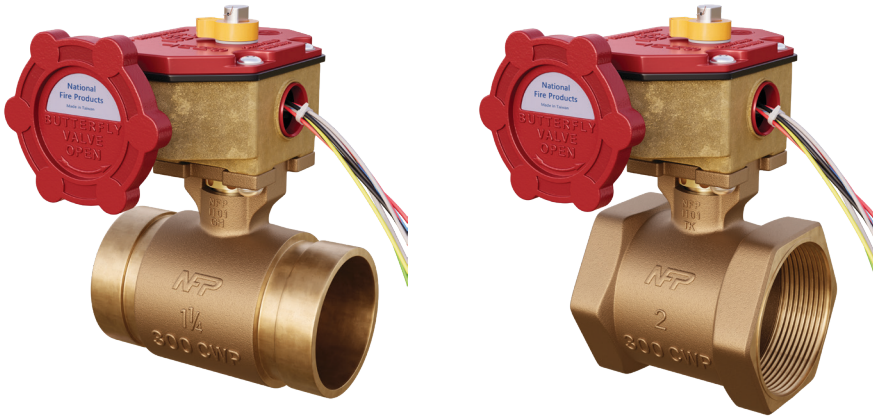


# SLOW-CLOSE BUTTERFLY VALVE



Figure 1101

## INSTALLATION INSTRUCTIONS



1. The valve can be installed in any orientation in a piping system with standard ASME B1.20.1 NPT or standard roll or cut grooved pipe.
2. When threading to pipe, apply adequate pipe sealants and use a wrench to tighten on the hexagon end of the valve onto the threads of the pipe.
3. The tamper switch has two switches: Switch 1 has dual leads on the terminals. This switch is used for connecting to the supervisory circuit of a listed fire alarm control panel. Switch 2 has a single lead and can be used to connect auxiliary equipment. All the unused wires need to be capped with lead nuts and tucked into a junction box. All connections need to be reviewed and approved by the jurisdictional authorities.
4. A No. 14 green wire has been fastened to the interior of the housing and is to be used as a housing ground.
5. Installation must comply with NFPA 13 and NFPA 72.

## FEATURES & BENEFITS

- A quarter turn, slow closing and opening valve used to prevent water hammering and hydraulic shock in fire protection and other liquid systems
- All sizes are cULus-UL/FM certified and rated to 300 psi.
- All valves are mounted with an integral pre-wired supervisory tamper switch assembly. The tamper switch signals movement of the valve disc from the full open position.
- Switch rating:  
10.1 amps-125/250VAC-60Hz
- Actual switch application rating:  
- 10 amps/115 VAC-60Hz  
- 0.5 amps/28 VDC
- All valves are furnished with tamper switch assemblies for indoor and outdoor use.
- Grooved ends to AWWA C606 for steel pipe

MODEL	SIZE	CONNECTIONS	PSI	FINISH
NFP1101TG*	1"	Thrd x Thrd	300	Brass
NFP1101TH	1-1/4"	Thrd x Thrd	300	Brass
NFP1101TJ	1-1/2"	Thrd x Thrd	300	Brass
NFP1101TK	2"	Thrd x Thrd	300	Brass
NFP1101GH	1-1/4"	Grv x Grv	300	Brass
NFP1101GJ	1-1/2"	Grv x Grv	300	Brass
NFP1101GK	2"	Grv x Grv	300	Brass

\* NFP1101TG is not ULC approved.

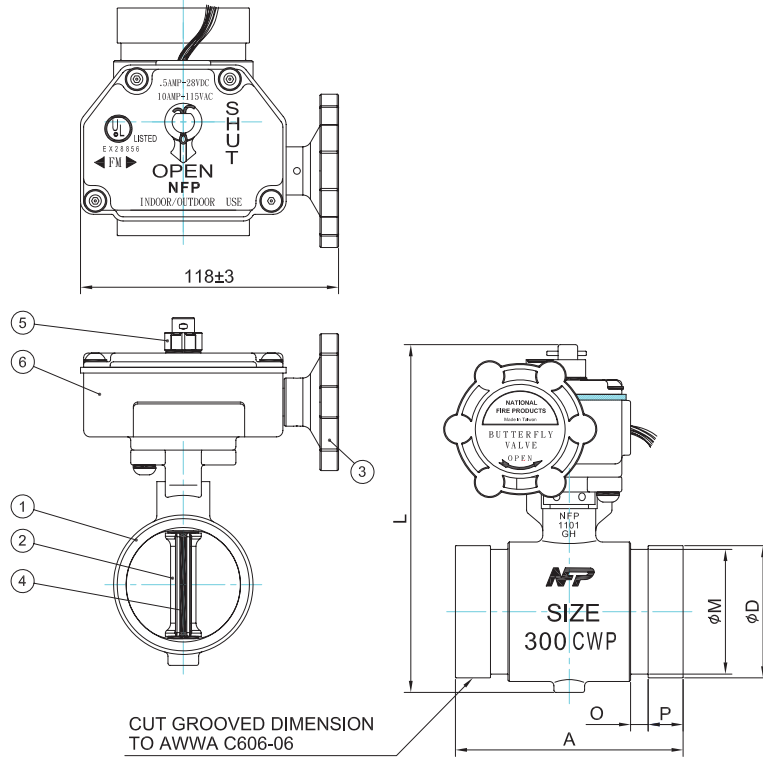


# SLOW-CLOSE BUTTERFLY VALVE



Figure 1101

## NFP1101GH-NFP1101GK



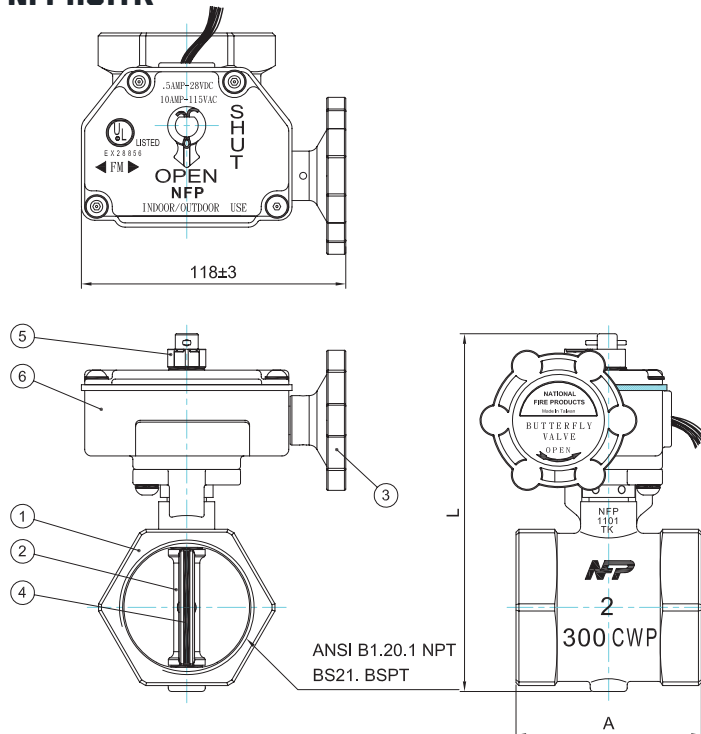
## DIMENSIONS (INCHES) THREADED

	1"	1-1/4"	1-1/2"	2"
A	2.13	2.63	2.87	3.25
L	5.08	5.43	5.74	6.29

## GROOVED

	1-1/4"	1-1/2"	2"
A	3.86	4.02	4.09
L	5.47	5.74	6.26
D	1.67	1.90	2.37
M	1.54	1.78	2.25
P	0.63	0.63	0.63
O	0.31	0.31	0.31

## NFP1101TK



## MATERIAL CHART

NO.	PART NAME	MATERIAL
1	Body	Bronze ASTM C83600
2	Disc	SS-304
3	Handwheel	Ductile Iron ASTM A536
4	Disc Seat	Viton
5	Indicator	Powder Metal
6	Housing	Forged Brass

Note: Grooved ends to AWWA C606 for steel pipe.

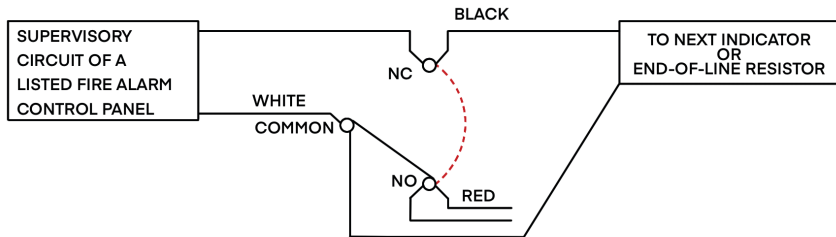
# SLOW-CLOSE BUTTERFLY VALVE

Figure 1101

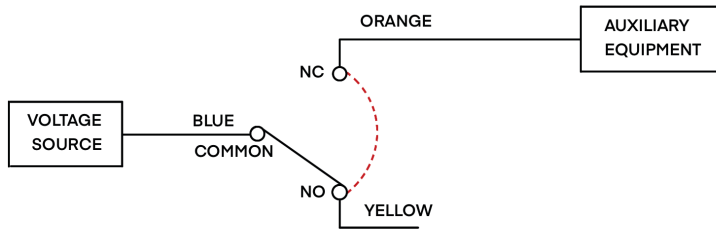
## WIRING DIAGRAM

(SWITCH POSITION VALVE FULL OPEN)

**SWITCH 1: DUAL LEADS SOLDERED TO SWITCH TABS**



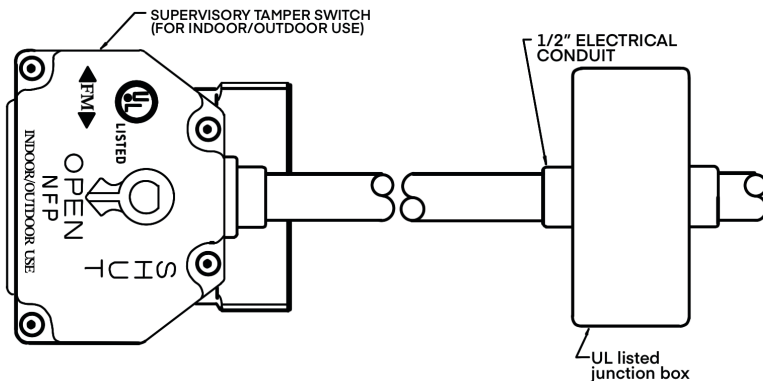
**SWITCH 2: SINGLE LEADS SOLDERED TO SWITCH TABS**



**GREEN WIRE IS PROVIDED AS GROUND FOR THE SWITCH HOUSING.**

**SWITCH RATING: 10.1 AMPS-125/250VAC-60HZ**

**ACTUAL SWITCH APPLICATION RATING: 10 AMPS/115 VAC-60HZ, 0.5 AMPS/28 VDC**



Installation must comply with NFPA 13 and NFPA 72.

Cap unused leads with wire nuts and tuck into a junction box (not provided).

Note: All replacement parts must be obtained from the manufacturer to assure proper operation of the valve and to maintain approval of the device.