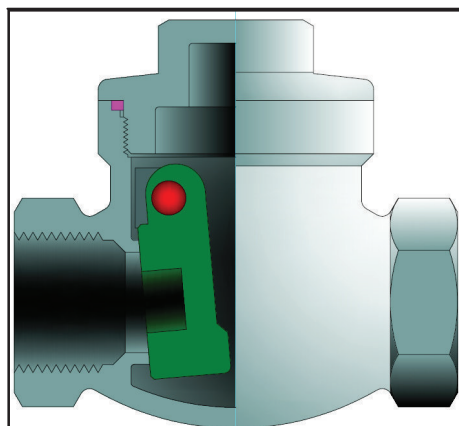




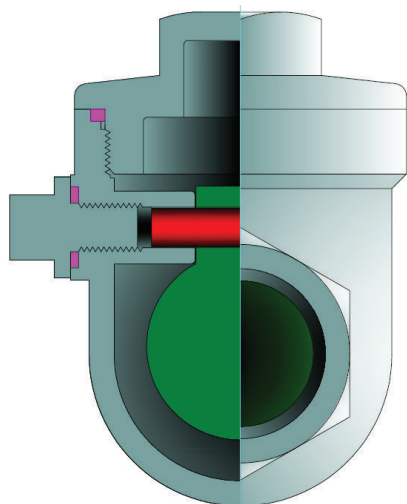
SWING CHECK VALVES
 THREADED BONNET, 200 W.O.G.
 ¼ to 2" (6 TO 50 mm), THREADED
 CAST STAINLESS STEEL



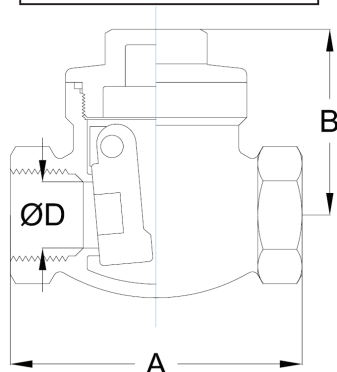
Class	Figure Number
200 W.O.G.	1847

DESIGN FEATURES:

- **Integral Seats.**
- **Each valve is shell and seat pressure tested** per industry standard API 598.
- **Check valve are suitable for service in horizontal line with cap vertical or in a vertical line with flow upward.**
- **Threaded ends** are NPT type per ASME B1.20.1.



Side view of valve.



STANDARD MATERIALS (Other materials available)

PART	MATERIALS
Body	A351 Gr. CF8M
Cap	A351 Gr. CF8M
Disc	A276 316
Gasket	PTFE
Pin	A276 316
Plug	SST 316
Plug Gasket	PTFE
Identification Plate	Series 300 SST

SIZE	200 W.O.G.				
	A	B	D	WT	C _v
in				lb	
mm				kg	
¼	2.50	1.7	0.56	0.7	1.0
6	65	42	15	0.3	
¾	2.50	1.7	0.56	0.7	2.2
10	65	42	15	0.3	
½	2.50	1.7	0.56	0.7	3.9
13	65	42	15	0.3	
¾	3.13	2.0	0.75	0.9	9.2
19	80	51	20	0.4	
1	3.56	2.4	1.00	1.5	17.0
25	90	60	25	0.7	
1¼	4.13	2.64	1.25	2.2	27
32	105	67	32	1.0	
1½	4.75	3.0	1.56	3.2	40
38	120	75	40	1.5	
2	5.50	3.2	2.00	4.7	75
50	140	81	50	2.1	

B = Center to top

WT = Weight

C_v = Flow coefficient