

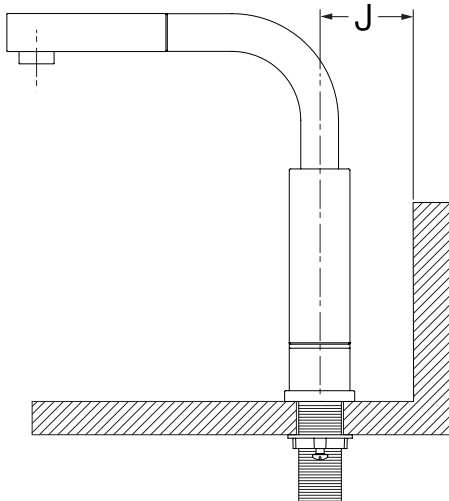
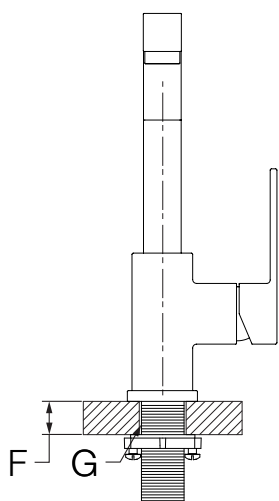




SK3610PO
Pull-Out Kitchen Faucet
Operation & Maintenance Manual

<p>Model Numbers</p> <p><input type="checkbox"/> SK3610PO Pull-Out Kitchen Faucet</p>	<p>Feature Highlights</p> <ul style="list-style-type: none"> • Pull-Out Kitchen Faucet shall include single hole mount configuration • Ceramic cartridge • Braided hose connections • Standard 1.0 gpm (3.8 L/min) flow rate • Faucet shall be made from metal construction • Plated in standard polished chrome finish
<p>Compliance</p> <p>-ASME A112.18.1/CSA B125.1 -NSF/ANSI/CAN 61: Q<1, NSF/ANSI 372</p>  <p>WARNING: This product can expose you to chemicals including lead, which is known to the state of California to cause cancer, birth defects, or other reproductive harm. For more information, go to www.P65Warnings.ca.gov.</p>	<p>Warranty</p> <p>Limited Lifetime - to the original end purchaser in consumer/residential installations. 10 Years - for commercial/industrial installations. Refer to www.symmons.com/warranty for complete warranty information.</p> 

Dimensions

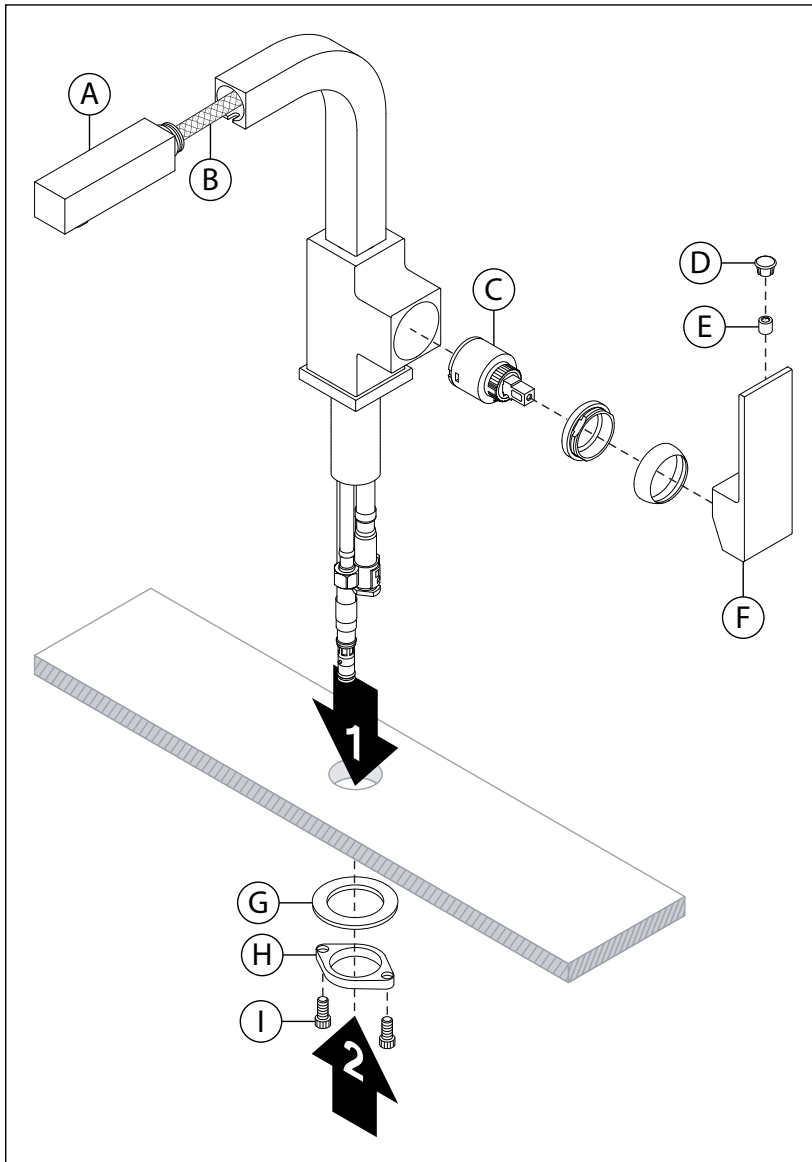


Measurements	
F	Deck Thickness Ref. Max. 2-1/2", 64 mm
G	Hole Size Min. Ø 1-3/8", 35 mm Max. Ø 1-1/2", 38 mm
J	To Backsplash 4", 102 mm

Notes:

- 1) Hoses removed for clarity.
- 2) Dimensions subject to change without notice.

Parts Breakdown



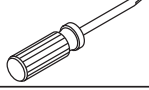

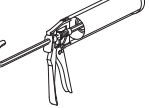


Replacement Parts

Item	Description	Part Number
A	Pull-Out Wand	RK-026
B	Pull-Out Wand Hose	RK-032
C	Cartridge	KN-4
D	Plug Button	
E	Set Screw	RK-027
F	Handle	
G	Mounting Washer	
H	Mounting Nut	RK-028
I	Mounting Screws	

***Note:** Append appropriate -suffix to repair part number for premium finish.

Tools Required for Installation

Adjustable Wrench	
Allen Wrench: Handle (2.5 mm)	
Phillips Head Screwdriver	
Plumber Tape	
Silicone	

Installation Notes:

- 1) Apply a bead of clear silicone around the perimeter of all faucet trim installed to deck surface.
- 2) Apply plumber tape to threaded connections as necessary. DO NOT use plumber tape on fittings with face seal washers or o-rings.
- 3) DO NOT OVERTIGHTEN fittings with face seal washers or o-rings.