



A KOHLER COMPANY

SINGLE BASIN ENTERTAINMENT SINK UCL1515

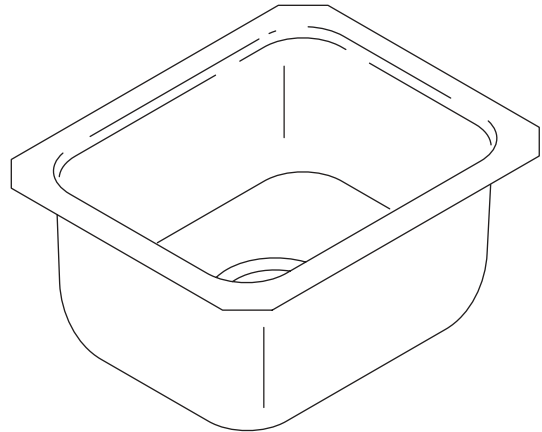
Features

- SilentShield™ sound deadening
- Spacious 7" (17.8 cm) deep basin
- Single compartment
- Satin finish
- Installation hardware included
- Undermount rimless design
- Wide undermount lip
- Drawn from 19 gauge - type 304 (18-8) series nickel bearing stainless steel
- 14-1/4" (36.2 cm) x 11-3/4" (29.8 cm) x 7" (17.8 cm)

Codes/Standards Applicable

Specified model meets or exceeds the following:

- ASME A112.19.3



Colors/Finishes

- NA: None applicable

Accessories:

- NA: None applicable

Specified Model

Model	Description	Holes	Quantity	Large Basin Depth	Colors/ Finishes
UCL1515	Single compartment sink	0	1	7" (17.8 cm)	<input type="checkbox"/> NA
UCL1515-B	Single compartment sink with strainer	0	1	7" (17.8 cm)	<input type="checkbox"/> NA

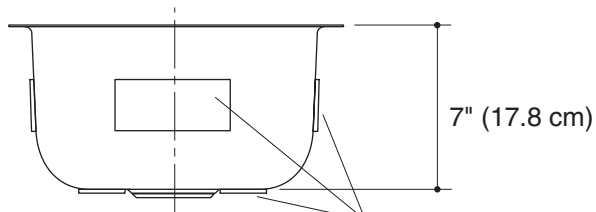
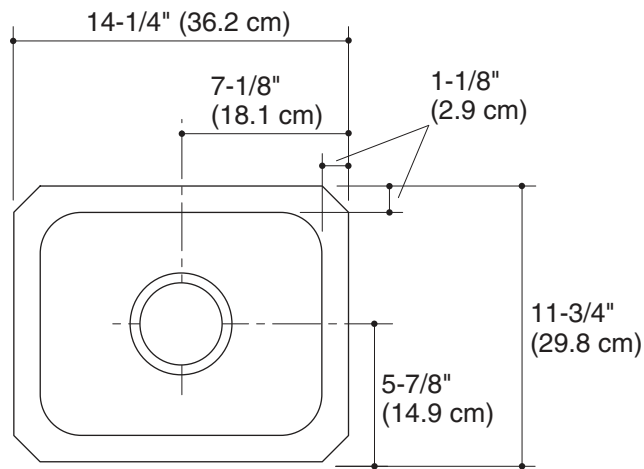
SterlingPlumbing.com

Visit us online for fixture color choices, detailed product information, color photos, installation instructions, care guides, and warranties. Sterling offers additional lines of plumbing products to complement the Sterling product you've chosen. Sign up for the Sterling monthly e-newsletter which showcases our latest product innovations. You may also call our Sterling Plumbing Answer Center from within the USA at 1-888-STERLING in addition to consulting with your local dealer. Sterling. Strong. Professional. Design.

Technical Information

Fixture:*	
Sink	
Basin area	12" (30.5 cm) x 9-1/2" (24.1 cm)
Water depth	7" (17.8 cm)
Drain hole	3-5/8" (9.2 cm) D.
* Approximate measurements for comparison only.	

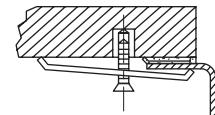
Included components:	
Cut-out template	1030069-7
Strainer (for UCL1515-B only)	7400



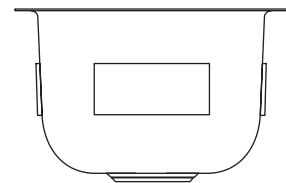
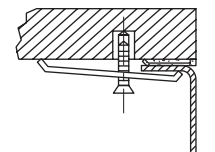
SilentShield™ Sound Pads

Mounting bracket assembly provides a secure installation.

Reveal



No Reveal



Product Diagram