

Features

- 6-3/8" (162 mm) non-diverter bath spout with slip-fit connection
- Coordinates with other products in the Buckley collection

Material

- Premium metal construction for durability and reliability
- KOHLER[®] finishes resist corrosion and tarnishing

Installation

- Wall-mount



Codes/Standards

ASME A112.18.1/CSA B125.1

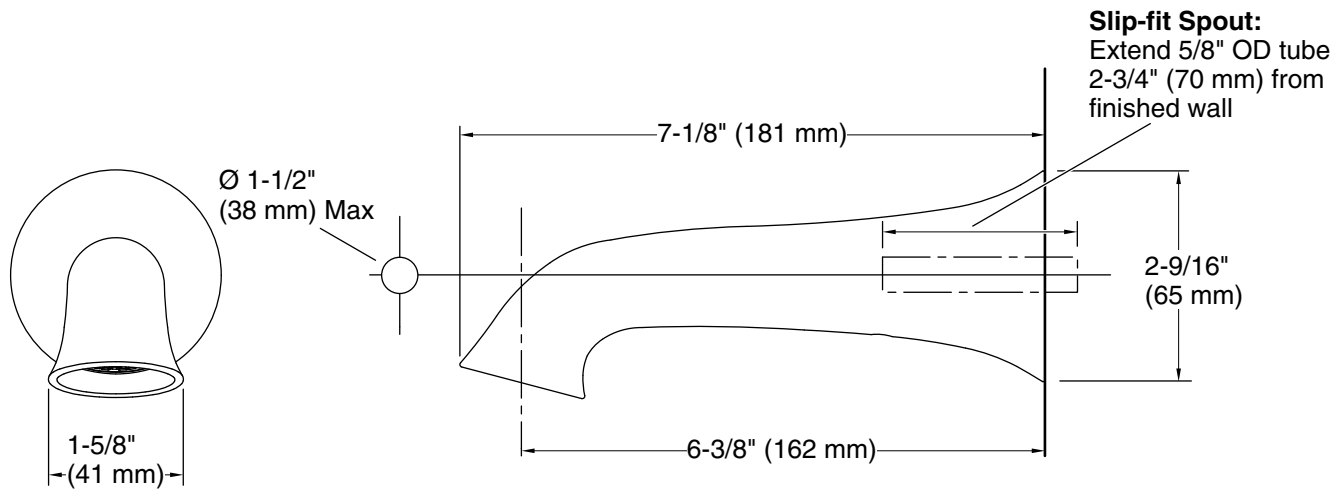
KOHLER[®] Faucet Lifetime Limited Warranty

See website for detailed warranty information.

Available Colors/Finishes

Color tiles intended for reference only.

Color	Code	Description
	CP	Polished Chrome
	BN	Vibrant [®] Brushed Nickel
	BL	Matte Black



Technical Information

All product dimensions are nominal.

Drain included: No

Spout:

Spout reach: $6\text{-}3/8''$ (163 mm)

Notes

Install this product according to the installation guide.