

### Features

- Single-function 1.75 gpm (6.6 lpm) showerhead
- MasterClean™ sprayface features an easy-to-clean surface that withstands mineral buildup and maximizes spray performance
- A single handle controls both on/off activation and temperature setting
- Box includes: Showerhead, faceplate with lever handle and diverter, shower arm with flange
- Requires valve (sold separately)
- Coordinates with other products in the Buckley collection
- This product can help a building earn Water Efficiency points in LEED® Green Building Rating System



### Material

- Premium material construction with metal handle ensures reliability and durability
- KOHLER® finishes resist corrosion and tarnishing

### Required Products/Accessories

For wall-mount installation

K-11748 Series Rite-Temp® Valves (Qty 2)

### Included Components

K-35948-G Single-function showerhead, 1.75 gpm  
K-T35942-4 Rite-Temp® valve trim with diverter



### Codes/Standards




ASME A112.18.1/CSA B125.1  
DOE - Energy Policy Act 1992  
EPA WaterSense®  
California Energy Commission (CEC)  
IAPMO Certification

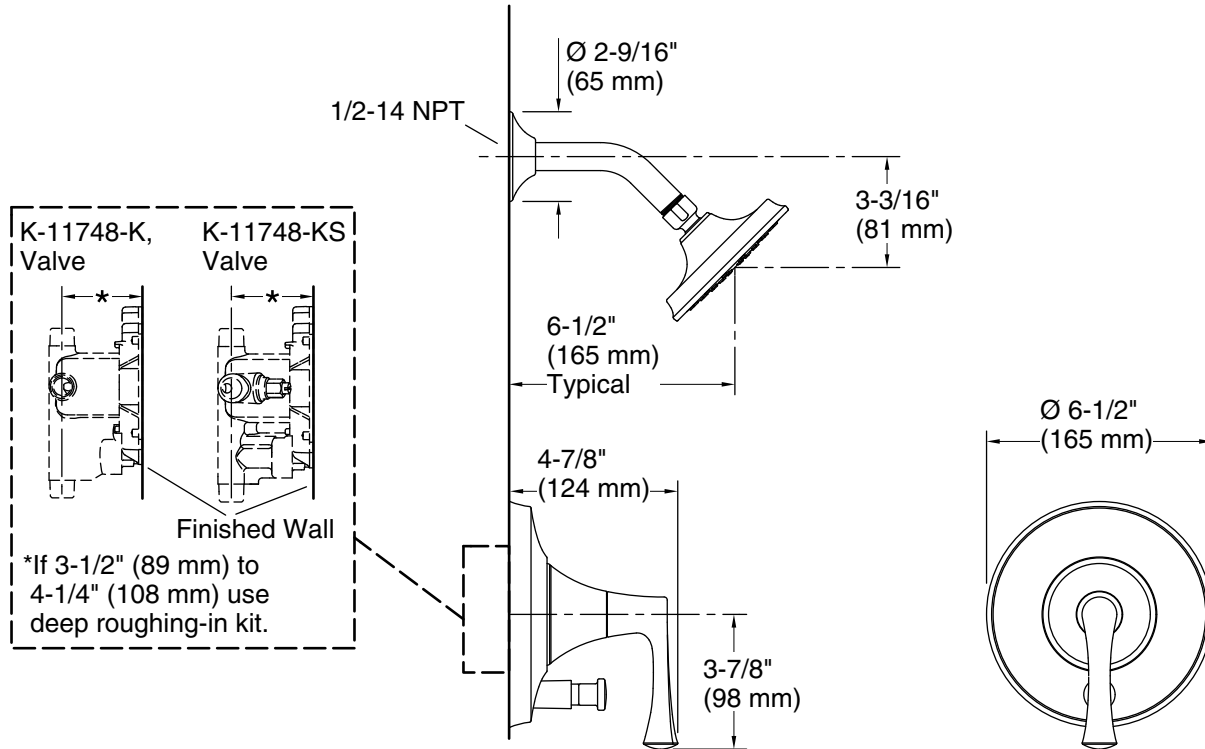
### KOHLER® Faucet Lifetime Limited Warranty

See website for detailed warranty information.

### Available Colors/Finishes

*Color tiles intended for reference only.*

Color	Code	Description
	CP	Polished Chrome
	BN	Vibrant® Brushed Nickel
	BL	Matte Black



**Technical Information**

All product dimensions are nominal.

Drain included: No

**Showerhead/Body Spray:**

Rated maximum flow: 1.75 gal/min (6.6 l/min)

**Notes**

Install this product according to the installation guide.

Install straight pipe or tube drop of 7" (178 mm) to 18" (457 mm) with single elbow between the valve and the wall-mount spout.