

### Features

- Single-function 2.5 gpm (9.5 lpm) showerhead
- A single handle controls both on/off activation and temperature setting
- MasterClean™ sprayface features an easy-to-clean surface that withstands mineral buildup and maximizes spray performance
- 5-1/16" (129 mm) diverter bath spout with slip-fit connection
- Box includes: Showerhead, shower arm and flange, faceplate with lever handle, diverter bath spout with 1/2" slip-fit connection
- Coordinates with other products in the Buckley collection



### Material

- Premium material construction with metal handle ensures reliability and durability
- KOHLER® finishes resist corrosion and tarnishing

### Installation

- Trim only; requires valve to complete installation (sold separately)

### Required Products/Accessories

K-8304 Series Rite-Temp® Valve & Cartridge Kits

or

K-8300 Series Rite-Temp® Valve Body Rough-ins

### Included Components

K-35935 Wall-mount bath spout with diverter  
K-35948-Y Single-function showerhead, 2.5 gpm  
K-TS35939-4 Rite-Temp® valve trim

### Codes/Standards




ASME A112.18.1/CSA B125.1  
DOE - Energy Policy Act 1992  
IAPMO Certification

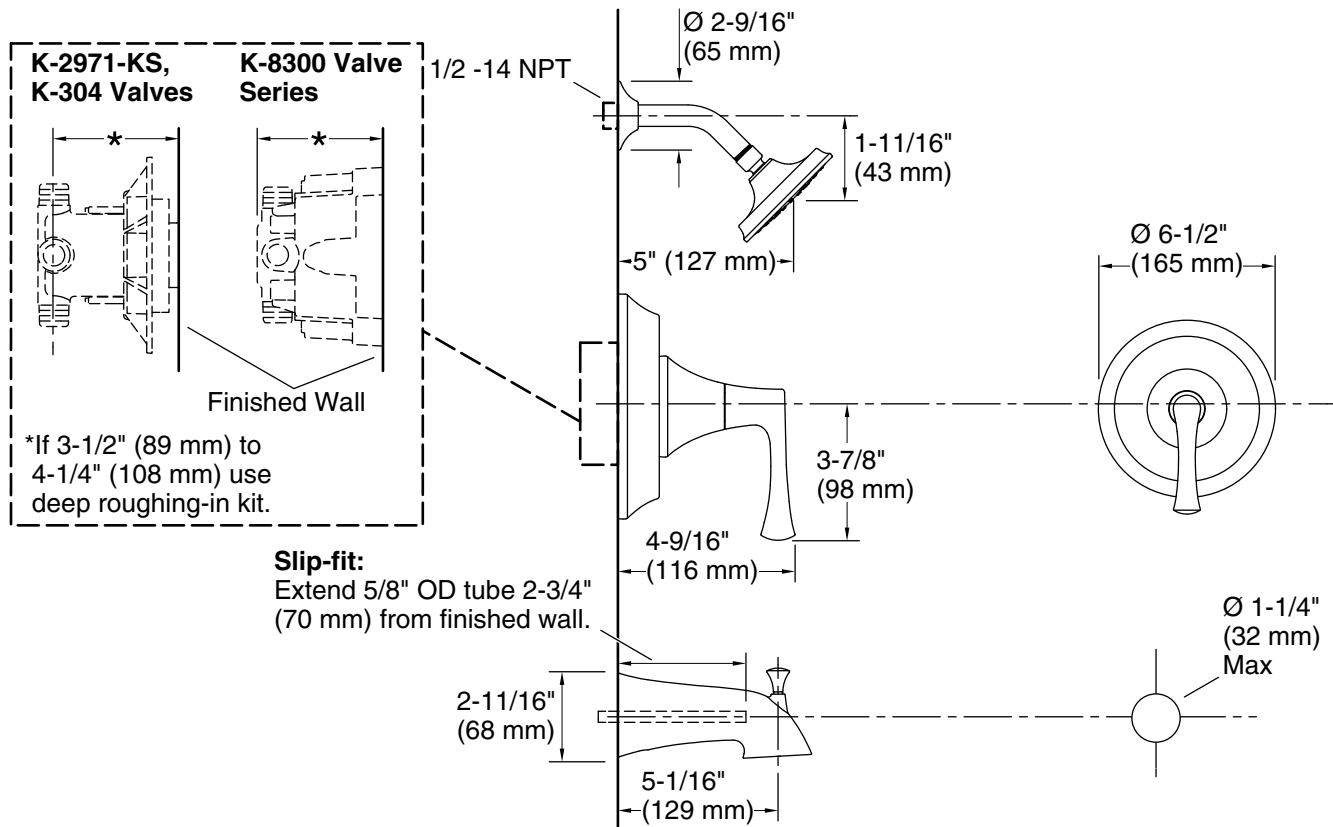
### KOHLER® Faucet Lifetime Limited Warranty

See website for detailed warranty information.

### Available Colors/Finishes

*Color tiles intended for reference only.*

Color	Code	Description
	CP	Polished Chrome
	BN	Vibrant® Brushed Nickel
	BL	Matte Black



## Technical Information

All product dimensions are nominal.

Drain included: No

### Spout:

Spout reach: 5-1/16" (128 mm)

### Showerhead/Body Spray:

Rated maximum flow: 2.5 gal/min (9.5 l/min)

## Notes

Install the product according to the installation guide.

**NOTICE:** Risk of product damage. Long screws, for installing trim, can damage the K-2971-KS valve. Consult the trim installation guide to verify if the thin wall installation kit (88526) is needed.

Install straight pipe or tube drop of 7" (178 mm) to 18" (457 mm) with single elbow between the valve and the wall-mount spout.