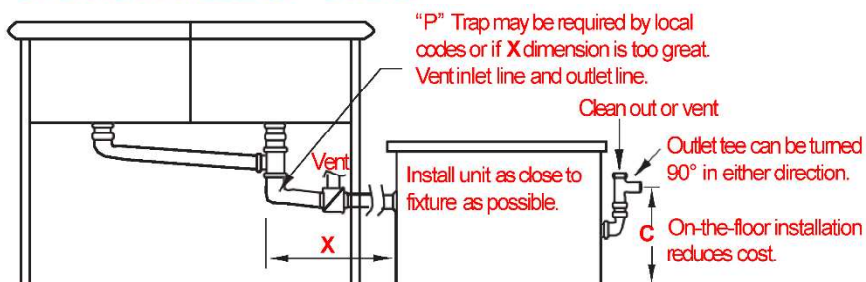




## INSTALLATION INSTRUCTIONS

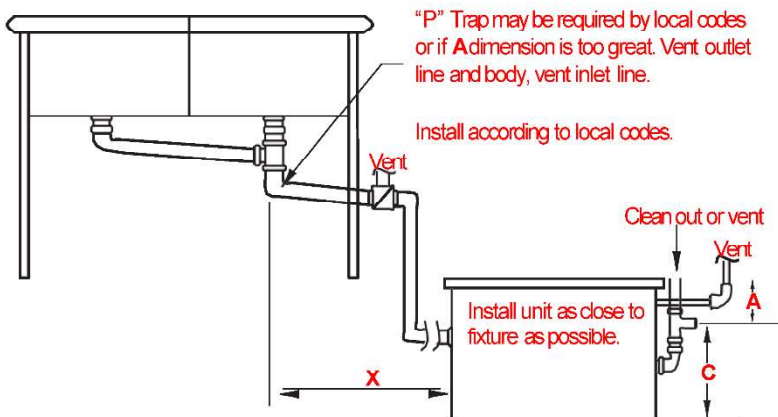
1. This installation sheet covers both G-units for on the floor installation, as well as GF-units for flush with the floor installations.
2. The proper outlet fittings are essential to the correct installation, and operation of the unit. Rockford units are not supplied with outlet fittings. Fitting kits in either cast iron or PVC, may be ordered with the unit (at additional cost). The plumbing installer may furnish own outlet fittings as long as dimension "C" is held, and not exceeded.
3. Always allow sufficient room above the unit for cleaning maintenance.
4. Connect the inlet and outlet, and vent per the local plumbing code. Rockford recommends installing the separator as close as possible to the fixture.
5. The Rockford G/GF units do not require an external flow control.

### On-the-floor installation – G Series



**"C" Dimensions must be held!**

### Flush-with-floor installation – GF & GFESeries with body vent



Dimension A must be specified at time of order. If not, bolt on extensions are available to meet your requirements.

GGF Model#	Minimum clearance needed above unit for maintenance	"C" dimension from bottom of unit to center of outlet
G-100-C	7"	7.5"
G-200-C	7"	outlet fittings not required
G-300-C	7"	7.5"
G-710	7"	7.5"
G-1012	10"	9.62"
G/GF-1412	12"	10.75"
G/GF-1815	12"	13.75"
G/GF-1820	12"	15"
G/GF-2420	12"	17.87"
G/GF-2635	12"	21"
G/GF-2824	14"	25.75"
G/GF-3050	14"	25.75"
G/GF-3224	14"	25.75"
G/GF-3475	14"	26.25"
G/GF-3628	14"	26.25"
G/GF-23-LO	8"	8.75"
G/GF-25-LO	9"	10.25"
G/GF-30-LO	9"	10.25"
G/GF-36-LO	9"	10.25"
G/GF-45-LO	9"	11"
G/GF-50-LO	9"	11"