



# ROCKFORD SEPARATORS

5159 28th Ave ROCKFORD, IL 61109  
(815) 229-5077 - FAX (815) 229-5108  
www.rkfdseparators.com - rssem@rkfdseparators.com

MODEL NO. G-3224-L

GREASE SEPARATOR

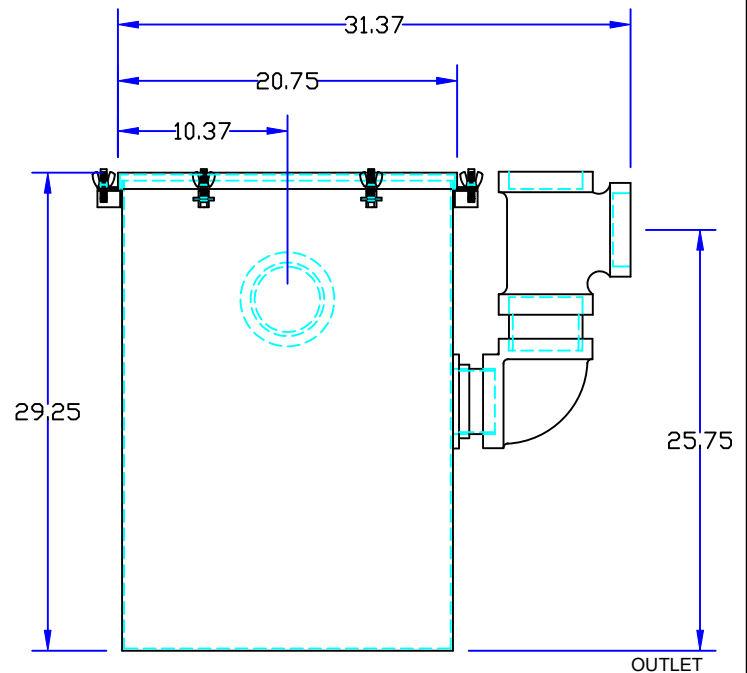
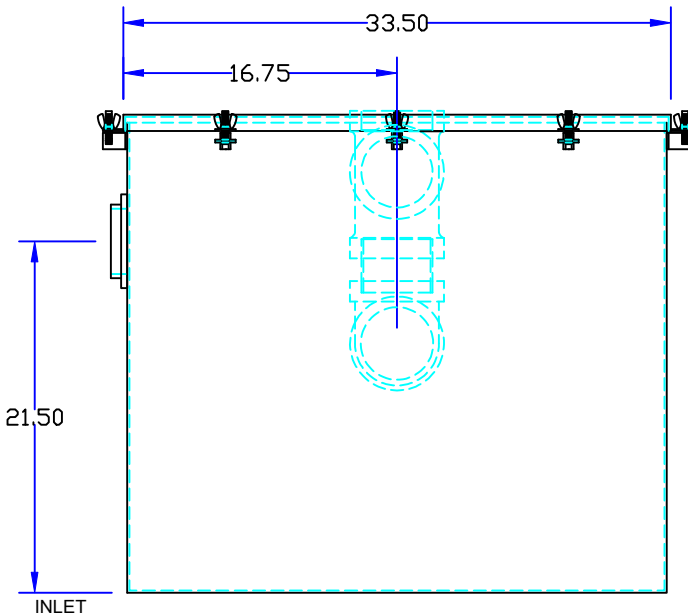
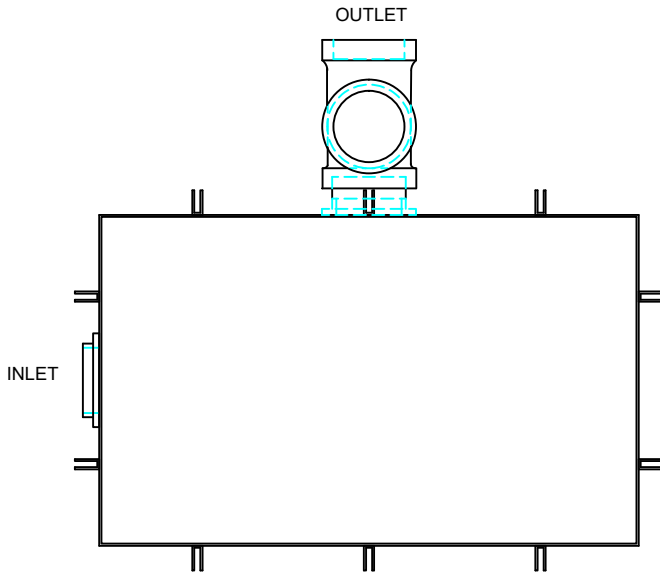
DRAWN BY R.P.P.

QUOTE#:

JOB NAME:

### OPTIONAL FEATURES (ADDITIONAL COST)

- EPOXY COATING
- STAINLESS STEEL CONSTRUCTION
- SEDIMENT BASKET  FILTER MEDIA
- DRAW OFF VALVE
- ALTERNATE INLET & OUTLET SIZE \_\_\_\_\_ INCHES
- CAST IRON OUTLET FITTINGS
- PVC OUTLET FITTINGS



## SPECIFICATIONS

Rockford Model G-3224-L all welded 10 Ga. steel separator for on the floor (or partially recessed) installation, 60 g.p.m. intermittent flow, 4.00" tapped inlet and outlet, 338 lbs. greasy sludge capacity, visible double-wall outside trap seal, easily removable filter screen and separator screen, gasketed cover hand tightened to body with safety catch bolt assemblies, enamel coated inside & outside.

Optional features (Additional cost) listed above

Approved By

Company

Date