



ROCKFORD SEPARATORS

5159 28th Ave ROCKFORD, IL 61109
(815) 229-5077 - FAX (815) 229-5108
www.rkfdseparators.com - rssem@rkfdseparators.com

MODEL NO. RLS-25

LINT SEPARATOR

DRAWN BY R.P.P.

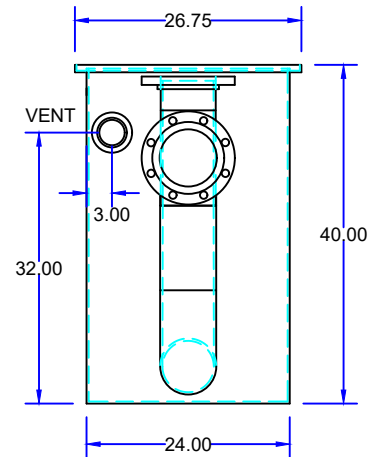
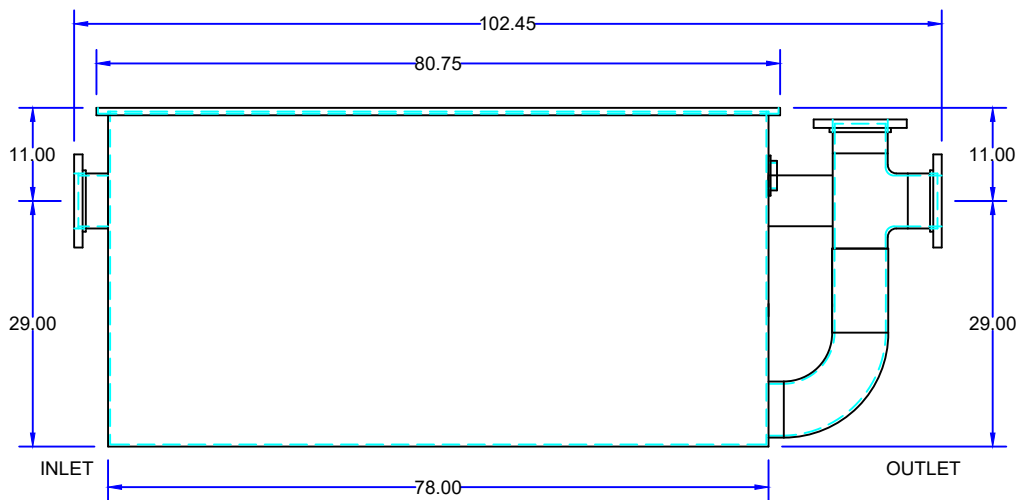
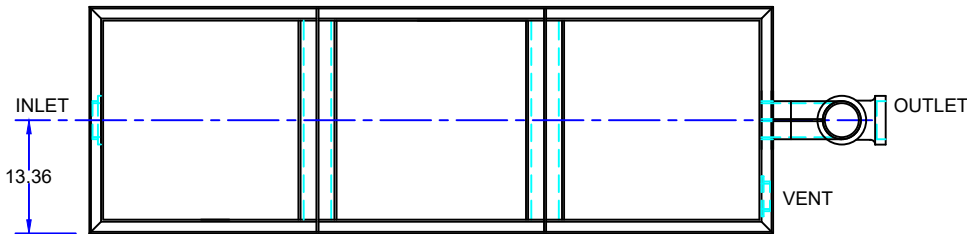
QUOTE#:

DATE: 03/07/24

JOB NAME:

OPTIONAL FEATURES (ADDITIONAL COST)

- ANCHOR FLANGE
- RECESSED LIFT HANDLES _____ PER COVER
- EPOXY COATING
- THREADED CONNECTIONS
- HEAVY TRAFFIC REINFORCED COVERS
- STAINLESS STEEL CONSTRUCTION
- INTEGRAL EXTENSION _____ INCHES
- INLET & OUTLET SIZE _____ INCHES
- ALUMINUM COVER



SPECIFICATIONS

Rockford Model RLS-25 all welded 1/4" steel separator, 200 gallon static holding capacity, 6" companion flange connections with 3" tapped vent connection, visible double-wall outside trap seal, easily removable filter for cleaning, removable 3/8" nonskid diamond tread plate covers for flush with floor installation suitable for pedestrian traffic secured with stainless flat head screws, heavy duty leak-proof gasket, OPEX Shop Coat coating inside and bituminous coating outside.

Optional features (Additional cost) listed above

Approved By

Company

Date