

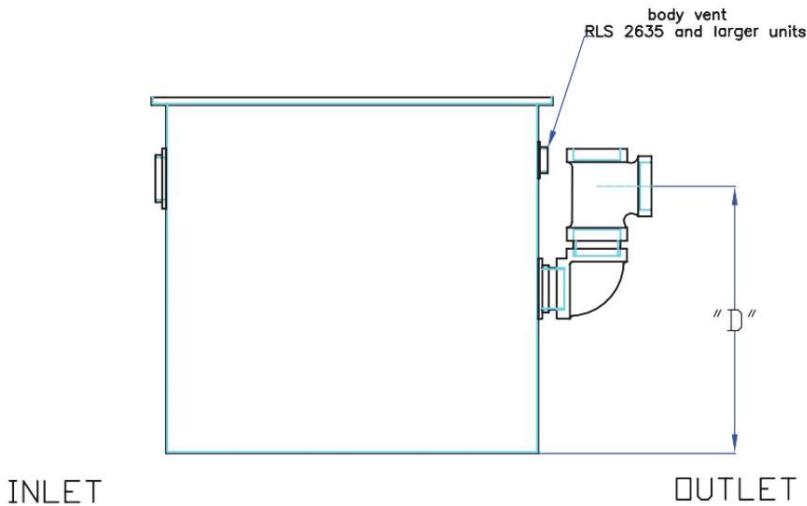
Installation Instructions RLS-Series



INSTALLATION INSTRUCTIONS

1. Remove the covers and remove any loose fittings shipped inside the unit. RLS-1815 through RLS-3628 are not supplied with outlet fittings. However fitting kits in either cast iron or PVC may be ordered with the unit. The plumbing installer may furnish own fittings as long as dimension "D" is held and not exceeded.
2. Always consider the location of the separator, for cleaning maintenance.
3. Excavation for flush with grade installation shall be free of any materials that may damage the separator and its coatings. The separator shall be set being level and plumb, on a compacted material or full support concrete slab. Taking care not to damage the coatings. Coat any exposed fittings with an asphalt based coating, and to any damaged areas due to handling.
4. The separators static water level (invert of the outlet line) shall be at least 6" below the bottom of any floor drain. In addition the static water level must be below the frost line in your area. Call Rockford for any extensions that may be needed to achieve this.
5. The equipment used to set the separator must be of adequate size capable of lifting the entire unit. Do not drag or drop the separator into place or possible damage to the structure or its coatings may occur.
6. Connect the fittings per your local codes. Vent the inlet and outlet on all RLS units.
7. Fill the separator with clean water as soon as possible after installation.
8. Any separator installed in traffic areas, needs to be reinforced to withstand the anticipated loads.
9. Areas subject to high water tables, must consider anchoring the unit.

NOTE: All interceptors must be installed per local codes.



MODEL	"D"
RLS-1815	13 3/4"
RLS-1820	17 1/2"
RLS-2420	17 7/8"
RLS-2635	21"
RLS-2824	24 1/4"
RLS-3050	25 3/4"
RLS-3224	25 3/4"
RLS-3475	27"
RLS-3628	26 1/4"
RLS-5	21"
RLS-10	25 3/4"
RLS-15	26 1/4"
RLS-20	26 1/4"
RLS-25	29"
RLS-40	40"
RLS-55	53"
RLS-70	44"
RLS-100	55"
RLS-135	51 1/2"
RLS-200	75 1/2"