



# ROCKFORD SEPARATORS

5159 28th Ave ROCKFORD, IL 61109  
 (815) 229-5077 - FAX (815) 229-5108  
 www.rkfdseparators.com - rssem@rkfdseparators.com

**MODEL NO. RLS-55**

**LINT SEPARATOR**

**DRAWN BY R.P.P.**

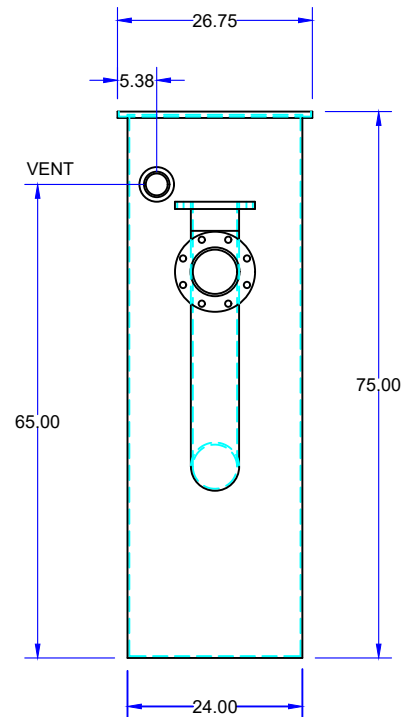
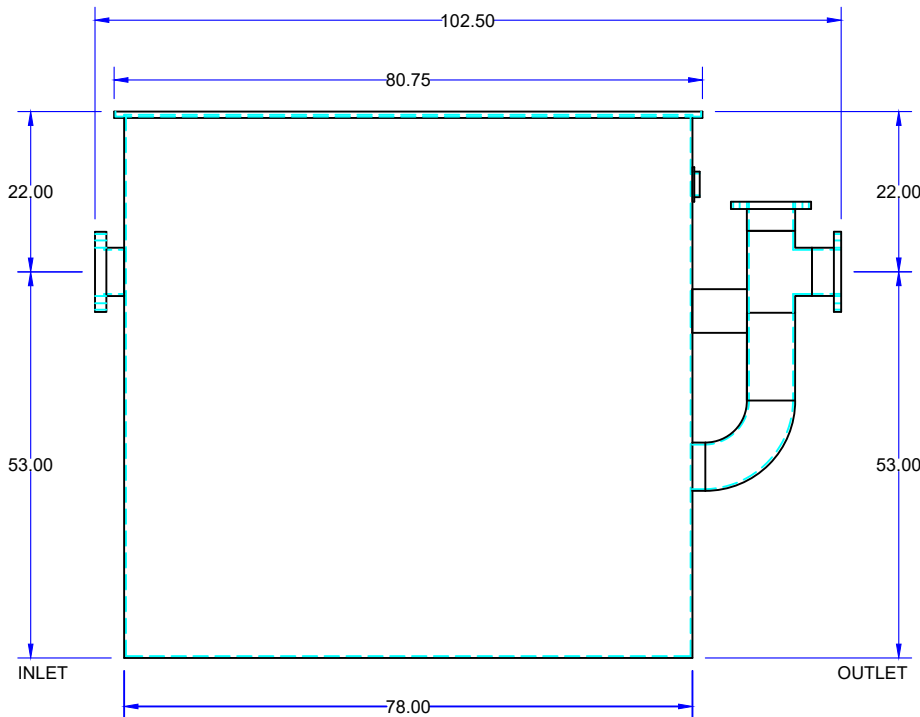
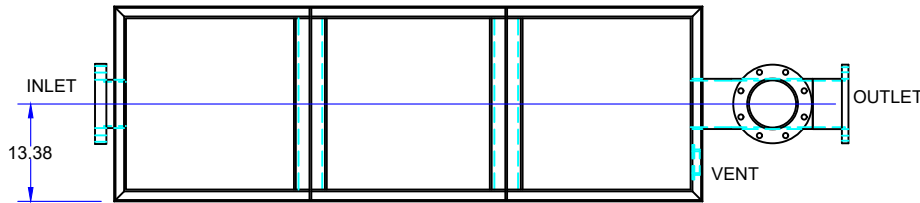
**QUOTE#:**

**DATE: 06/21/22**

**JOB NAME:**

OPTIONAL FEATURES (ADDITIONAL COST)

- ANTI-FLOAT FLANGE
- CLAMP RING
- RECESSED LIFT HANDLES IN COVERS
- EPOXY COATING
- ANODES
- HEAVY TRAFFIC H2O CONSTRUCTION
- STAINLESS STEEL CONSTRUCTION
- INTEGRAL EXTENSION \_\_\_\_\_ INCHES
- ALUMINUM COVER



## SPECIFICATIONS

Rockford Model RLS-55 all welded 1/4" steel separator, 400 gallon static holding capacity, 6" companion flange connections with 3" tapped vent connection, visible double-wall outside trap seal, easily removable filter for cleaning, removable 3/8" nonskid diamond tread plate covers for flush with floor installation suitable for pedestrian traffic secured with stainless flat head screws, heavy duty leak-proof gasket, OPEX Shop Coat coating inside and bituminous coating outside.

**Optional features (Additional cost) listed above**

**Approved By**

**Company**

**Date**