



ROCKFORD SEPARATORS

5159 28th Ave ROCKFORD, IL 61109
 (815) 229-5077 - FAX (815) 229-5108
 www.rkfdseparators.com - rssem@rkfdseparators.com

MODEL NO. ROI-150

OIL / SAND INTERCEPTOR

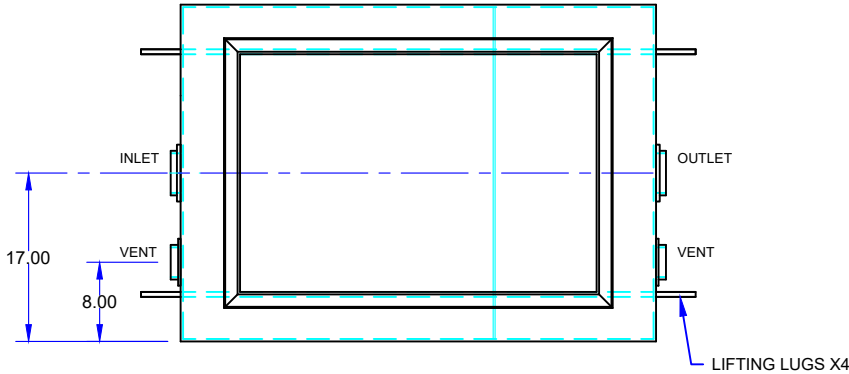
DRAWN BY R.P.P.

QUOTE#:

DATE: 02/23/23

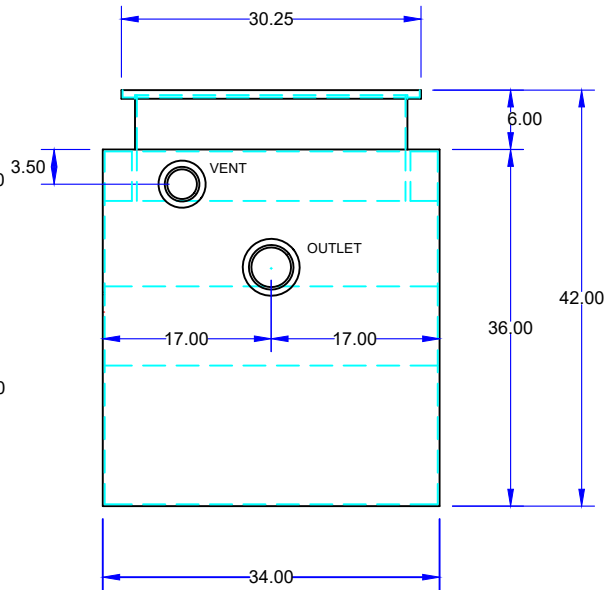
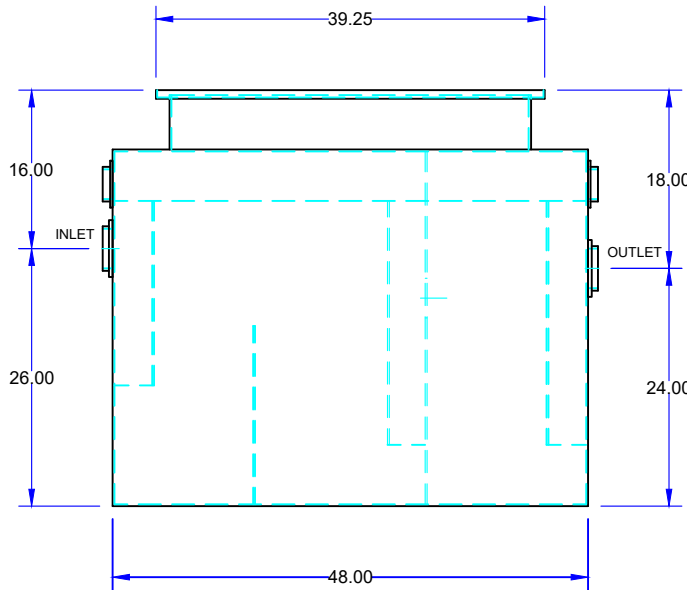
JOB NAME:

Note: Standard unit includes 6" manway base.
 Additional manway height can be made to
 accommodate inlet invert requirements.



OPTIONAL FEATURES (ADDITIONAL COST)

- ADDITIONAL _____ MANWAY HEIGHT REQUIRED
- INLET & OUTLET SIZE _____ INCHES
- EPOXY COATING
- STAINLESS STEEL CONSTRUCTION
- DOUBLE WALL CONSTRUCTION
- LEAK DETECTION
- HIGH LEVEL SENSOR & ALARM
- COALESCING PACK
- PUMP OUT CONNECTION
- HOLD DOWN PADS
- RECESSED LIFT HANDLES IN COVERS
- ANCHOR FLANGE



SPECIFICATIONS

Rockford Model ROI-150 all welded steel gravity oil/sand interceptor, with 100 intermittent GPM, 150 gallon capacity, 4" threaded inlet/outlet and 3" vent connections, removable 3/8" nonskid tread plate cover for flush with grade installation suitable for heavy traffic load (H/20), secured with stainless steel flat head screws, heavy duty leak proof gasket, with bituminous coating outside. Supplied with lifting lugs X4. Approximate ship weight of 750 Lbs.

Note: Standard unit includes 6" manway base. Additional manway height can be made to accommodate inlet invert requirements.

Units built to IAPMO/ANSI Z1001-2014 construction standard for fabricated gravity interceptors.

Optional features (Additional cost) listed above

Approved By

Company

Date