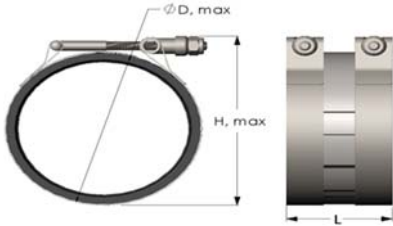




LabWaste® Technical
Product Dimensions

P091 Elastomer No-Hub Coupling - IPS Pipe/Metric Pipe

IPS Clamp Joint X Metric Clamp Joint
 For connection of IPS pipe systems to Metric pipe systems. Shielded FKM (Fluorocarbon) w/gear clamps.

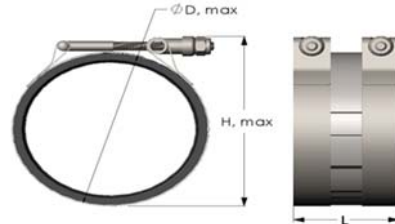


Part Number	Size	D	H	L
P091-015	1-1/2	2-3/8	2-3/4	2-1/8
P091-020	2	2-13/16	3-3/16	2-1/8
P091-02075	2	3-3/8	3-3/4	2-1/8
P091-030	3	3-13/16	4-3/16	2-1/8
P091-040	4	4-13/16	5-1/4	2-1/8
P091-060	6	7	7-7/16	3

Maximum clamp torque value 75 in/lbs.

P093 Elastomer No-Hub Coupling - Glass/IPS Pipe

IPS Clamp Joint x IPS Clamp Joint
 For connection to plain end Glass or any same-size IPS pipe systems. Shielded FKM (Fluorocarbon) w/gear clamps.

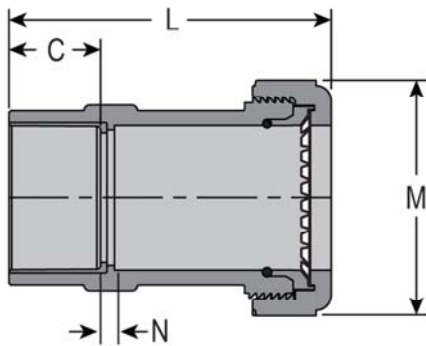


Part Number	Size	D	H	L
P093-015	1-1/2	2-1/4	2-5/8	2-1/8
P093-020	2	2-13/16	3-3/16	2-1/8
P093-030	3	3-13/16	4-3/16	2-1/8
P093-040	4	4-13/16	5-1/4	2-1/8
P093-060	6	7	7-7/16	3
P093-080	8	9-1/16	9-1/2	3-13/16

Maximum clamp torque value 75 in/lbs.

P092 GripLoc™ Transition Coupling

H x GripLoc™ Compression
 WARNING: DO NOT INSERT FINGERS
 FKM Gasket
 For connection to PP or PVDF systems

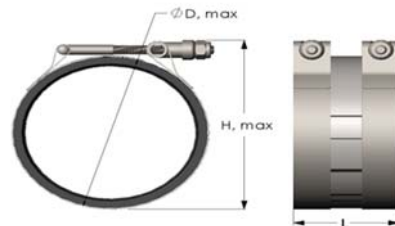


Part Number	Size	C	L	M	N
P092-015C	1-1/2	1-3/8	4-7/8	3-5/16	7/32
P092-020C	2	1-1/2	5-5/16	3-15/16	1/4

For connection to PP, PVDF or other IPS systems

P094 Elastomer No-Hub Coupling- Duriron

IPS Clamp Joint x Duriron Clamp Joint
 For connection to Duriron plain end pipe. Shielded FKM (Fluorocarbon) w/gear clamps.



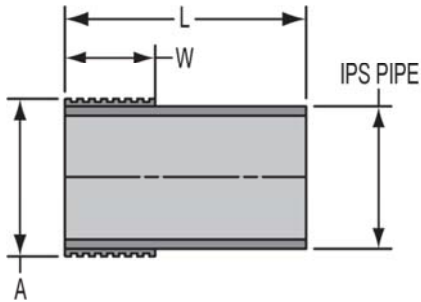
Part Number	Size	D	H	L
P094-015	1-1/2	2-3/8	2-3/4	2-1/8
P094-020	2	2-13/16	3-3/16	2-1/8
P094-030	3	3-15/16	4-3/8	2-1/8
P094-040	4	4-15/16	5-3/8	2-1/8

Maximum clamp torque value 75 in/lbs.

P095 Duriron Transition Fitting

Mechanical Joint x Pipe Size

For connection to Duriron system. Requires Duriron mechanical joint coupling.

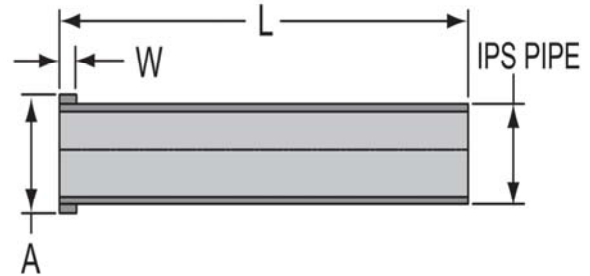


Part Number	Size	A	L	W
P095-015C	1-1/2	2- 3/16	4	1- 3/8
P095-020C	2	2- 5/8	4	1- 1/2
P095-030C	3	3- 3/4	4	1- 7/8
P095-040C	4	4-3/4	4	2- 1/4

P097 Duriron Transition Coupling

Spig x Caulk Joint

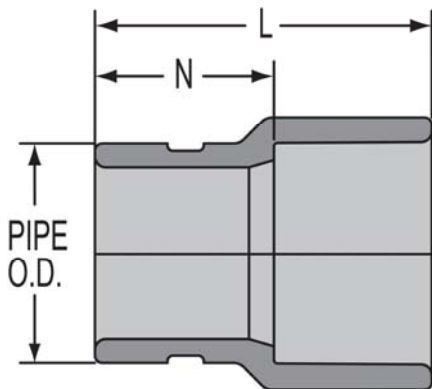
For connection to Duriron system. Requires packing and plastic lead. Warning: Do not use hot lead or oiled Oakum



Part Number	Size	A	L	W
P097-015C	1-1/2	2- 1/4	12	1/2
P097-020C	2	2- 7/8	12	1/2
P097-030C	3	4- 3/16	12	1/2
P097-040C	4	5- 1/4	12	1/2

P096 Grooved Coupling

Grv x Soc

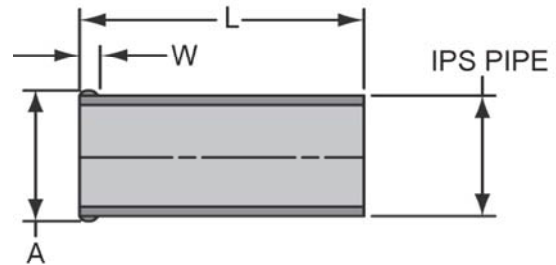


Part Number	Size	L	N
P096-015C	1-1/2	2- 5/16	1- 1/2
P096-020C	2	3- 1/16	1- 9/16
P096-030C	3	3- 9/16	1-11/16
P096-040C	4	4- 1/2	2- 1/4
P096-060C	6	5- 3/8	2- 3/8

P098 Glass Transition Coupling

Spig x Clamp

For connection to glass system. Requires use of clamp from glass system manufacturer.



Part Number	Size	A	L	W
P098-015C	1-1/2	2- 1/16	4	1/4
P098-020C	2	2- 9/16	5	1/4
P098-030C	3	3-11/16	6	5/16
P098-040C	4	4-27/32	6	5/16
P098-060C	6	7- 1/8	6	1/2

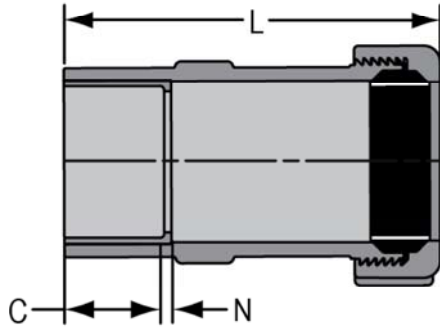


LabWaste® Technical
Product Dimensions

P099 Transition Coupling

H x Compression

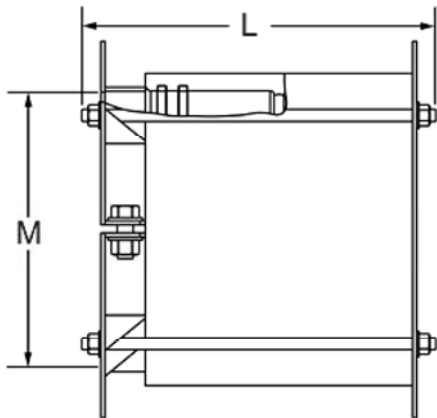
For connection to PP or PVDF systems.
 Requires Safety Retaining Groove Tool.
 Contact Spears®.



Part Number	Size	C	L	N
P099-015C	1-1/2	1- 3/8	5- 1/8	3/32
P099-020C	2	1- 1/2	5- 3/4	1/8
P099-030C	3	1- 7/8	10- 5/16	3/16
P099-040C	4	2- 1/4	11- 5/32	7/32
P099-060C	6	3	13- 3/8	9/32

P099 Transition Coupling - Bolted Style

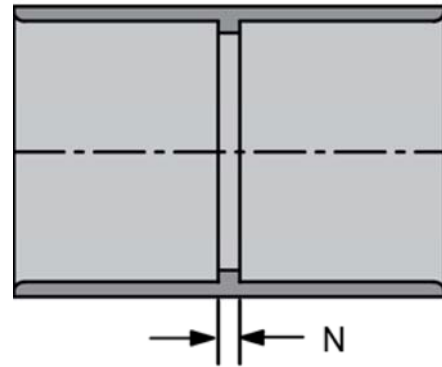
H x Compression



Part Number	Size	L	M
P099-080C	8	11	8-9/16

P100 Coupling

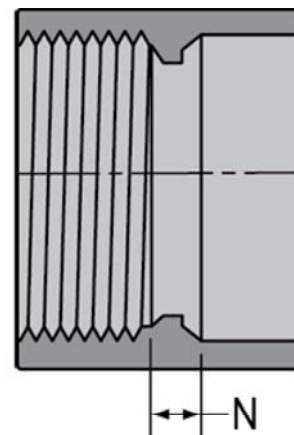
H x H



Part Number	Size	N
P100-015C	1-1/2	1/8
P100-020C	2	1/8
P100-030C	3	1/8
P100-040C	4	1/8
P100-060C	6	1/4
P100-080C	8	1/4
P100-100C	10	3/8
P100-100CF ⁺	10	1-3/4
P100-120C	12	3/8
P100-120CF ⁺	12	2-1/2
P100-140C	14	3/8
P100-140CF ⁺	14	2-1/4
P100-160CF ⁺	16	3-7/8
P100-180CF ⁺	18	3-3/4
P100-200CF ⁺	20	4
P100-240CF ⁺	24	5-1/4

P101 Female Adapter

Fpt x H

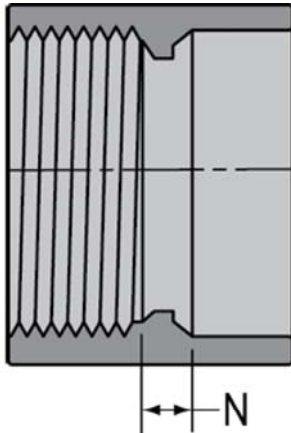


Part Number	Size	N
P101-015C	1-1/2	1/4
P101-020C	2	1/4

P101 Female Adapter

(Continued)

Fpt x H

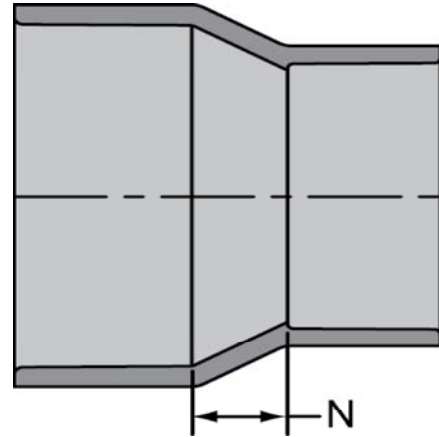


Part Number	Size	N
P101-030C	3	5/16
P101-040C	4	3/8
P101-060C	6	3/8
P101-080C	8	1/4
P101-100CF ⁺	10	3
P101-120CF ⁺	12	3

P102 Increaser - Reducer

(Continued)

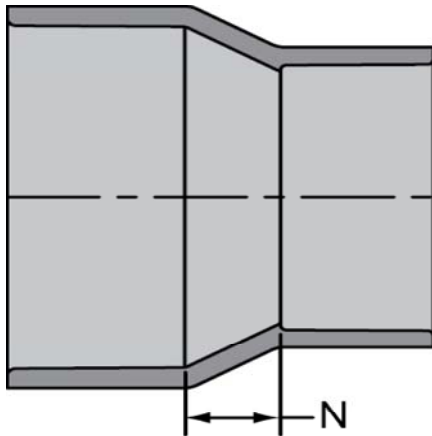
H x H



Part Number	Size	N
P102-582C	8X4	2-3/8
P102-585C	8X6	1-3/8
P102-585CF ⁺	8X6	3-1/2
P102-623CF ⁺	10X3	15-9/16
P102-624C	10X4	3- 3/8
P102-624CF ⁺	10X4	13-1/16
P102-626C	10X6	2- 1/4
P102-626CF ⁺	10X6	8-9/16
P102-628C	10X8	1- 5/16
P102-628CF ⁺	10X8	3-3/8
P102-663CF ⁺	12X3	21-3/16
P102-664CF	12X4	18-11/16
P102-666C	12X6	3- 1/4
P102-666CF ⁺	12X6	14-3/16
P102-668C	12X8	2- 5/16
P102-668CF ⁺	12X8	9
P102-670C	12X10	1-1/4
P102-670CF ⁺	12X10	3-1/2
P102-693CF ⁺	14X3	27-1/16
P102-694CF ⁺	14X4	24-9/16
P102-696CF ⁺	14X6	20-1/16
P102-698CF ⁺	14X8	14-7/8
P102-700CF ⁺	14X10	9-3/8
P102-702CF ⁺	14X12	3-1/8
P102-753CF ⁺	16X3	33-11/16
P102-754CF ⁺	16X4	31-3/16
P102-756CF ⁺	16X6	26-11/16
P102-758CF ⁺	16X8	21-1/2
P102-760CF ⁺	16X10	16
P102-762CF ⁺	16X12	9-3/4
P102-764CF ⁺	16X14	3-1/2
P102-784CF ⁺	18X4	39-3/16
P102-786CF ⁺	18X6	34-11/16
P102-788CF ⁺	18X8	29-1/2
P102-790CF ⁺	18X10	24
P102-792CF ⁺	18X12	17-3/4

P102 Increaser - Reducer

H x H



Part Number	Size	N
P102-251C	2X1-1/2	11/16
P102-337C	3X1-1/2	1- 3/32
P102-338C	3X2	15/16
P102-420C	4X2	1- 3/8
P102-422C	4X3	15/16
P102-528CF ⁺	6X2	6-5/16
P102-530C	6X3	2-1/4
P102-532C	6X4	1- 7/16
P102-578CF ⁺	8X2	10-15/16
P102-580CF ⁺	8X3	10-1/2
P102-582CF ⁺	8X4	8
P102-583CF ⁺	8X5	7

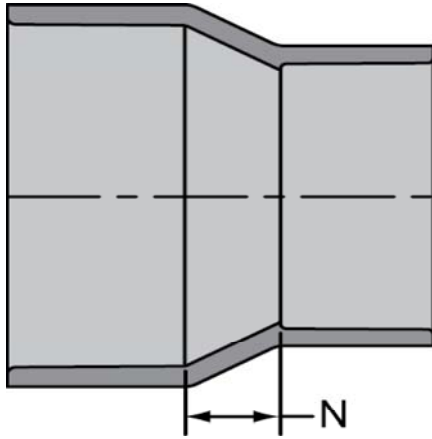


LabWaste® Technical
Product Dimensions

P102 Increaser - Reducer

(Continued)

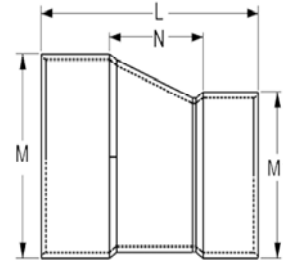
H x H



Part Number	Size	N
P102-794CF ⁺	18X14	11-1/2
P102-796CF ⁺	18X16	4-5/8
P102-814CF ⁺	20X4	47-3/16
P102-816CF ⁺	20X6	42-11/16
P102-818CF ⁺	20X8	37-1/2
P102-820CF ⁺	20X10	32
P102-822CF ⁺	20X12	25-3/4
P102-824CF ⁺	20X14	25-3/4
P102-826CF ⁺	20X16	12-5/8
P102-828CF ⁺	20X18	4-1/4
P102-904CF ⁺	24X4	57-7/16
P102-906CF ⁺	24X6	52-15/16
P102-908CF ⁺	24X8	47-3/4
P102-910CF ⁺	24X10	42-1/4
P102-912CF ⁺	24X12	36
P102-914CF ⁺	24X14	29-3/4
P102-916CF ⁺	24X16	22-7/8
P102-918CF ⁺	24X18	14-1/2
P102-920CF ⁺	24X20	28-3/4

Pipe Increaser-Reducer, Eccentric

Hub X Hub



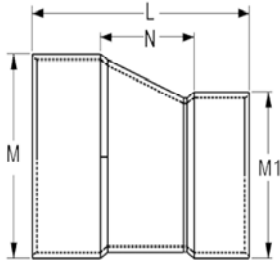
Part Number	Size	L	M	M1	N
P102-420CFE ⁺	4X2	12-1/4	4-15/16	2-7/8	8-1/2
P102-422CFE ⁺	4X3	8-5/8	4-15/16	3-15/16	4-1/8
P102-528CFE ⁺	6X2	19-5/8	7-1/8	2-7/8	14-7/8
P102-530CFE ⁺	6X3	16	7-1/8	3-15/16	10-1/2
P102-532CFE ⁺	6X4	10-13/16	7-1/8	5	5-5/16
P102-578CFE ⁺	8X2	28-5/8	9-3/16	2-7/8	22-7/8
P102-580CFE ⁺	8X3	25	9-3/16	3-15/16	18-1/2
P102-582CFE ⁺	8X4	19-13/16	9-3/16	5	13-5/16
P102-585CFE ⁺	8X6	14-3/8	9-3/16	7-3/16	6-7/8
P102-623CFE ⁺	10X3	34-7/8	11-3/8	3-15/16	27-3/8
P102-624CFE ⁺	10X4	29-11/16	11-3/8	5	22-3/16
P102-626CFE ⁺	10X6	24-1/4	11-3/8	7-3/16	15-3/4
P102-628CFE ⁺	10X8	16-11/16	11-3/8	9-1/4	7-3/16
P102-663CFE ⁺	12X3	44-7/8	13-1/2	3-15/16	36-3/8
P102-664CFE ⁺	12X4	39-11/16	13-1/2	5	31-3/16
P102-666CFE ⁺	12X6	34-1/4	13-1/2	7-3/16	24-3/4
P102-668CFE ⁺	12X8	26-11/16	13-1/2	9-1/4	16-3/16
P102-670CFE ⁺	12X10	18-3/8	13-1/2	11-1/2	6-7/8
P102-702CFE ⁺	14X12	17-5/8	14-13/16	13-9/16	4-3/8
P102-762CFE ⁺	16X12	28-1/2	16-7/8	13-9/16	14-1/4
P102-764CFE ⁺	16X14	21-3/4	16-7/8	14-7/8	6-3/4
P102-792CFE ⁺	18X12	40-7/8	19	13-9/16	25-5/8
P102-794CFE ⁺	18X14	34-1/8	19	14-7/8	18-1/8
P102-796CFE ⁺	18X16	25	19	17	8
P102-814CFE ⁺	20X4	82-5/8	21-1/8	5	70-3/8
P102-816CFE ⁺	20X6	77-3/16	21-1/8	7-3/16	63-15/16
P102-818CFE ⁺	20X8	69-5/8	21-1/8	9-1/4	55-3/8
P102-820CFE ⁺	20X10	61-5/16	21-1/8	11-1/2	46-1/16
P102-822CFE ⁺	20X12	52-5/8	21-1/8	13-9/16	36-3/8
P102-824CFE ⁺	20X14	45-7/8	21-1/8	14-7/8	28-7/8
P102-826CFE ⁺	20X16	36-3/4	21-1/8	17	18-3/4
P102-828CFE ⁺	20X18	26	21-1/8	19-1/8	7
P102-904CFE ⁺	24X4	100-3/8	25-3/16	5	86-1/8
P102-906CFE ⁺	24X6	94-15/16	25-3/16	7-3/16	79-11/16
P102-908CFE ⁺	24X8	87-3/8	25-3/16	9-1/4	71-1/8
P102-910CFE ⁺	24X10	79-1/16	25-3/16	11-1/2	61-13/16
P102-912CFE ⁺	24X12	70-3/8	25-3/16	13-9/16	52-1/8



Pipe Increaser-Reducer, Eccentric

(Continued)

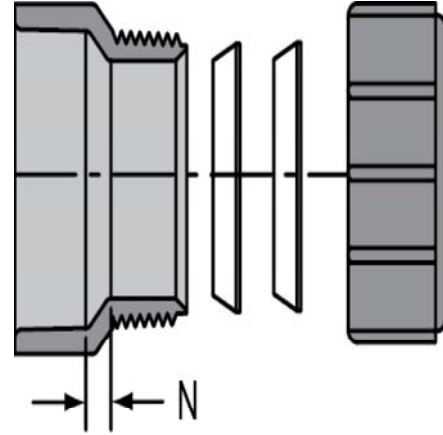
Hub X Hub



Part Number	Size	L	M	M1	N
P102-914CFE*	24X14	63-5/8	25-3/16	14-7/8	37-7/8
P102-916CFE*	24X16	54-1/2	25-3/16	17	34-1/2
P102-918CFE*	24X18	43-3/4	25-3/16	19-1/8	22-3/4
P102-920CFE*	24X20	34-1/4	25-3/16	21-3/16	12-1/4

P104R Trap Adapter - Female

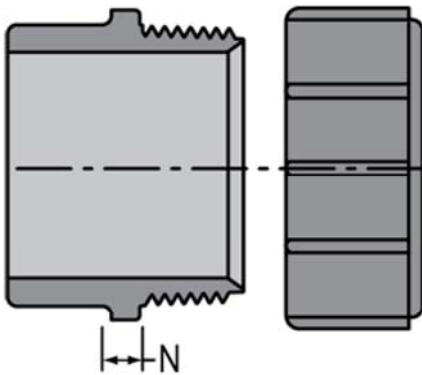
w/1-1/2 Plastic Nut & Washer and 1-1/2x1-1/4 Washer
 H x Slip w/Plastic Nut



Part Number	Size	N
P104R-015C	1-1/2	3/16

P103P Trap Adapter - Male

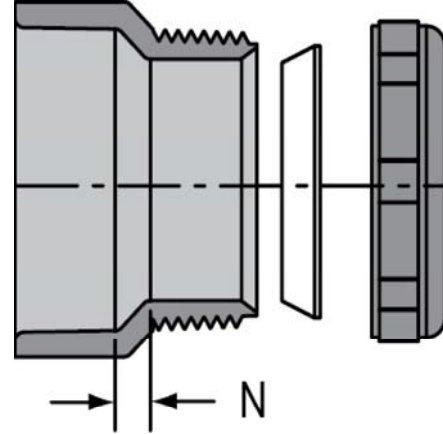
Spig x Slip with Plastic Nut



Part Number	Size	N
P103P-015C	1-1/2	3/16
P103P-020C	2	3/16

P104X Trap Adapter - Female

H x Slip w/Chrome Nut & Washer

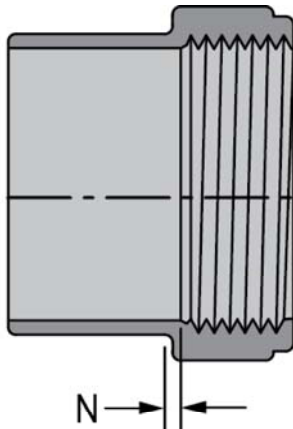


Part Number	Size	N
P104X-015C	1-1/2	3/16



P105 Cleanout Adapter

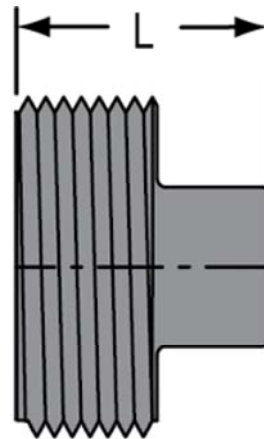
Spig x Fpt



Part Number	Size	N
P105-015C	1-1/2	5/32
P105-020C	2	1/4
P105-030C	3	1/4
P105-040C	4	1/4
P105-060C	6	3/8
P105-080C	8	3/8

P106 Square Head Cleanout Plug

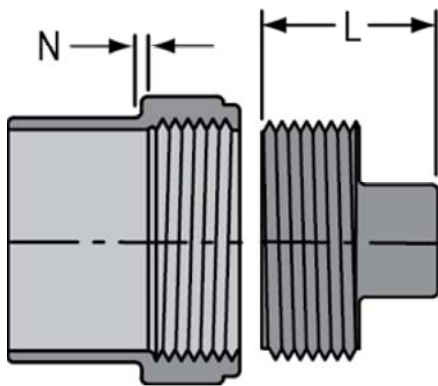
Mpt



Part Number	Size	L
P106-015C	1-1/2	1- 3/8
P106-020C	2	1- 3/8
P106-030C	3	1-3/4
P106-040C	4	1- 7/8
P106-060C	6	1-15/16
P106-080C	8	2- 1/16

P105X Cleanout Adapter with Square Head Plug

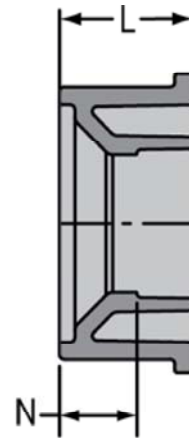
Spig



Part Number	Size	L	N
P105X-015C	1-1/2	1- 3/8	5/32
P105X-020C	2	1-3/8	5/32
P105X-030C	3	1-3/4	1/4
P105X-040C	4	1- 7/8	1/4
P105X-060C	6	1-15/16	3/8
P105X-080C	8	2-1/16	5/16
P105X-100CF ¹	10	1	0
P105X-120CF ¹	12	1	0
P105X-140CF ¹	14	1	0
P105X-160CF ¹	16	1	0

P107 Flush Bushing

Spig x H

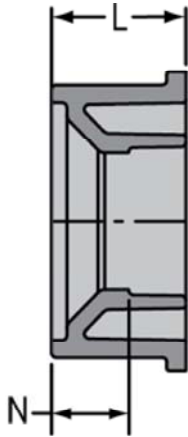


Part Number	Size	L	N
P107-251C	2X1-1/2	1- 1/16	1/4
P107-337C	3X1-1/2	1- 3/4	1
P107-338C	3X2	1-3/4	1
P107-420C	4X2	2	1- 1/8
P107-422C	4X3	2	1/2
P107-530C ¹	6X3	3-3/4	2- 1/4
P107-532C	6X4	3- 7/16	1-3/4
P107-582C	8X4	4- 9/16	2-13/16
P107-585C	8X6	4-9/16	1- 9/16
P107-623C ¹	10X3	6-3/16	4-5/8
P107-624C ¹	10X4	6	4-1/4

P107 Flush Bushing

(Continued)

Spig x H

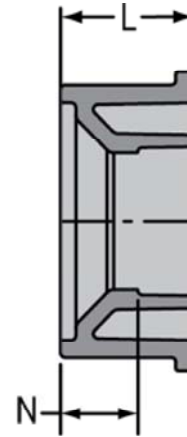


Part Number	Size	L	N
P107-626C	10X6	5- 11/32	2- 5/16
P107-626CF ¹	10X6	5-13/16	4-1/16
P107-628C	10X8	5-1/4	1-5/16
P107-628CF ¹	10X8	5-1/4	1-1/4
P107-663CF ¹	12X3	7-3/16	5-11/16
P107-664C ¹	12X4	6-15/16	5-5/32
P107-666C ¹	12X6	6-7/8	3- 7/8
P107-668C	12X8	6-5/16	2-5/16
P107-670C	12X10	6-5/16	1-5/16
P107-670CF ¹	12X10	6	1
P107-693CF ¹	14X3	8-1/8	6-5/8
P107-694CF ¹	14X4	7-7/8	6-1/8
P107-698CF ¹	14X8	7-5/16	3-1/4
P107-696CF ¹	14X6	7-15/16	5
P107-700CF ¹	14X10	7-5/16	2-1/4
P107-702CF ¹	14X12	7	1
P107-753CF ¹	16X3	9-3/16	7-11/16
P107-754CF ¹	16X4	8-15/16	7-1/8
P107-756CF ¹	16X6	8-15/16	6
P107-758CF ¹	16X8	8-5/16	4-5/16
P107-760CF ¹	16X10	8-5/16	3-5/16
P107-762CF ¹	16X12	8	1-7/16
P107-764CF ¹	16X14	8	1
P107-784CF ¹	18X4	9-15/16	8-1/8
P107-786CF ¹	18X6	9-15/16	7
P107-788CF ¹	18X8	9-5/16	5-5/16
P107-790CF ¹	18X10	9-5/16	4-5/16
P107-792CF ¹	18X12	9	3
P107-794CF ¹	18X14	9	1-7/8
P107-796CF ¹	18X16	9	1
P107-814CF ¹	20X4	10-15/16	9-1/8
P107-816CF ¹	20X6	10-15/16	8
P107-818CF ¹	20X8	10-5/16	6-5/16
P107-820CF ¹	20X10	10-5/16	5-5/16

P107 Flush Bushing

(Continued)

Spig x H

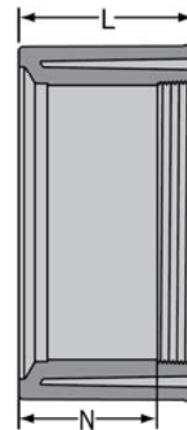


Part Number	Size	L	N
P107-822CF ¹	20X12	10	4
P107-824CF ¹	20X14	10	3
P107-826CF ¹	20X16	10	2
P107-828CF ¹	20X18	10	1
P107-904CF ¹	24X4	12-15/16	11-1/8
P107-906CF ¹	24X6	12-15/16	10
P107-908CF ¹	24X8	12-5/16	8-5/16
P107-910CF ¹	24X10	12-5/16	7-5/16
P107-912CF ¹	24X12	12	6
P107-914CF ¹	24X14	12	5
P107-916CF ¹	24X16	12	4
P107-918CF ¹	24X18	12	3
P107-920CF ¹	24X20	12	2

¹ Outlet-sized with Bushing

P108 Flush Bushing (Cleanout Adapter)

Spig x FPT

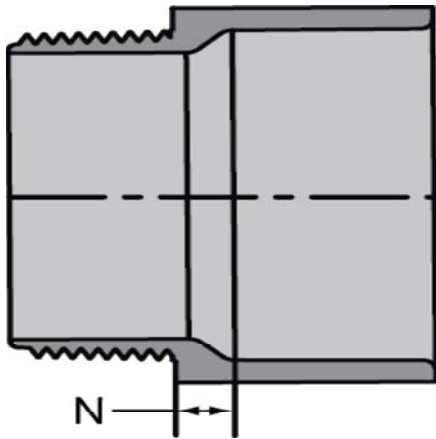


Part Number	Size	L	N
P108-212C	1-1/2X1-1/4	7/8	3/16



P109 Male Adapter

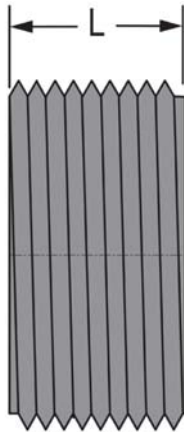
Mpt x H



Part Number	Size	N
P109-015C	1-1/2	3/16
P109-020C	2	3/16
P109-030C	3	3/8
P109-040C	4	3/8
P109-060C	6	3/8

P110 Counter Sunk Cleanout Plug

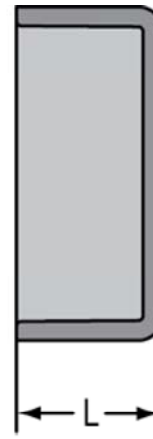
Mpt



Part Number	Size	L
P110-015C	1-1/2	5/8
P110-020C	2	5/8
P110-030C	3	3/4
P110-040C	4	7/8
P110-060C	6	31/32

P116 Cap

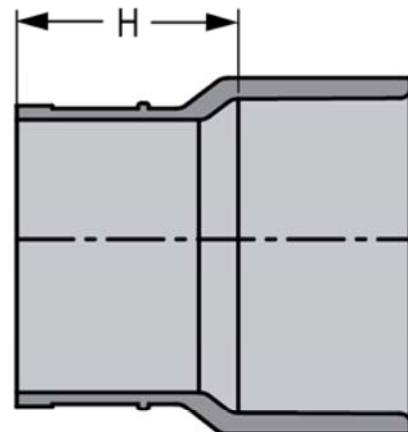
Socket



Part Number	Size	L
P116-015C	1-1/2	15/16
P116-020C	2	1
P116-030C	3	1- 3/4
P116-040C	4	2
P116-060C	6	3- 9/32
P116-080C	8	6-3/4
P116-100CF ⁺	10	3-3/4
P116-120CF ⁺	12	4-1/8
P116-140CF ⁺	14	5-3/4
P116-160CF ⁺	16	5-1/4
P116-180CF ⁺	18	5-7/8
P116-200CF ⁺	20	6-3/8
P116-240CF ⁺	24	7

P119 No-Hub Adapter

S x H

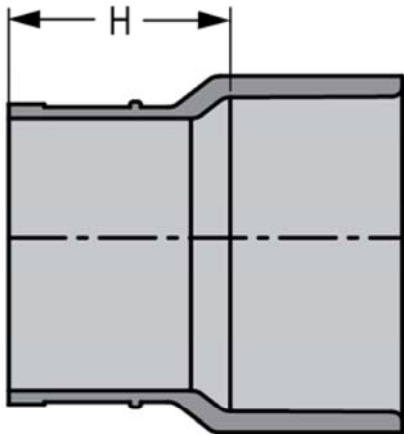


Part Number	Size	H
P119-015C	1-1/2	1- 5/8
P119-020C	2	1- 5/8
P119-030C	3	1-3/4
P119-040C	4	1- 7/8
P119-060C	6	2-9/16

P119 No-Hub Adapter

(Continued)

S x H



Part Number	Size	H
P119-080CF ⁺	8	4-1/2
P119-100CF ⁺	10	4-3/4
P119-120CF ⁺	12	5-1/8

P130 Repair Coupling

H x H

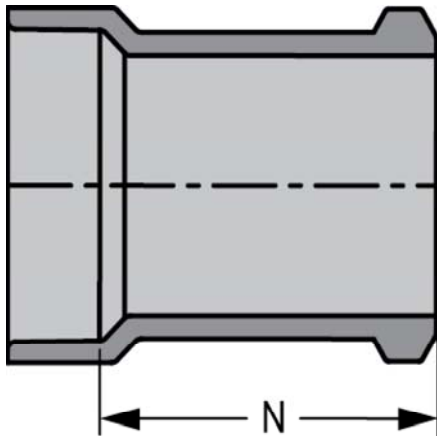


Part Number	Size	L
P130-015C	1-1/2	1-1/2
P130-020C	2	1-5/8
P130-030C	3	3-3/16
P130-040C	4	3-3/4
P130-060C	6	6-3/8
P130-080C	8	8-5/16
P130-100C	10	10-7/16

P123 Hub Adapter

H x S

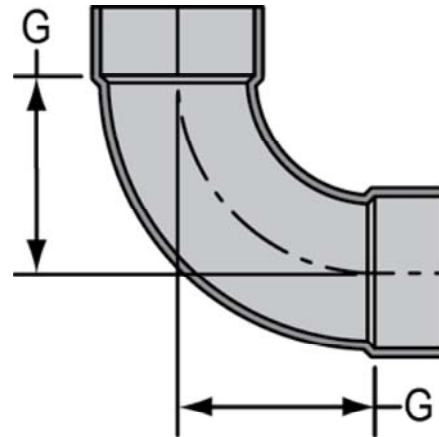
For connection to Cast Iron system. Requires packing and plastic lead. Warning: Do not use hot lead or oiled Oakum



Part Number	Size	N
P123-020C	2	4-7/8
P123-030C	3	4-1/8
P123-040C	4	4-11/32
P123-060CF ⁺	6	5-9/16
P123-080CF ⁺	8	6-1/16

P300 1/4 Bend (90° Ell)

H x H



Part Number	Size	G
P300-015C	1-1/2	1-3/4
P300-020C	2	2-5/16
P300-030C	3	3-1/16
P300-040C	4	3-7/8
P300-060C	6	5
P300-080C	8	6
P300-080CF ⁺	8	9-1/8
P300-100C	10	9-13/16
P300-100CF ⁺	10	11-9/16
P300-120C	12	10-3/4
P300-120CF ⁺	12	13-5/16

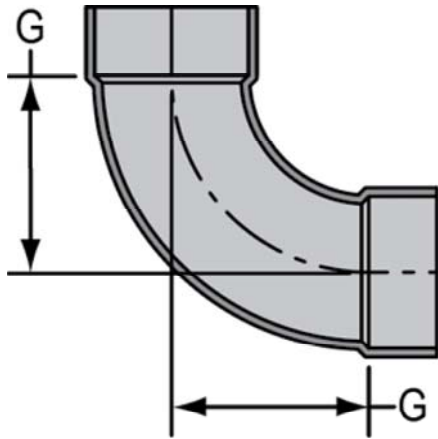


LabWaste® Technical
Product Dimensions

P300 1/4 Bend (90° EII)

(Continued)

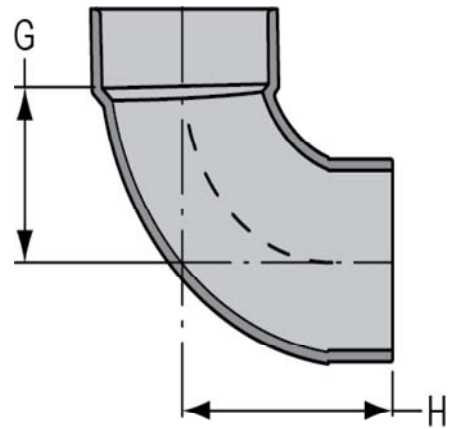
H x H



Part Number	Size	G
P300-140CF ⁺	14	15-5/8
P300-160CF ⁺	16	18-1/16
P300-180CF ⁺	18	20-1/2
P300-200CF ⁺	20	22-7/8
P300-240CF ⁺	24	27-11/16

P302 1/4 Bend, Street (90° Street EII)

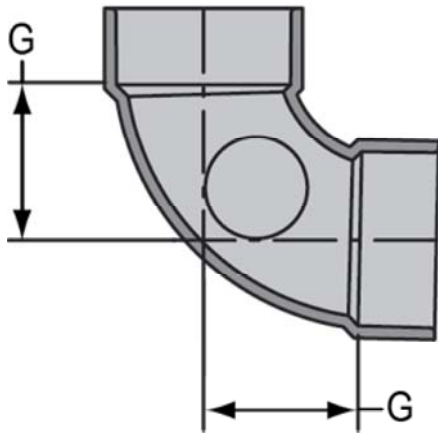
H x Spig



Part Number	Size	G	H
P302-015C	1-1/2	1- 3/4	2-13/32
P302-020C	2	2-5/16	3-1/4
P302-030C	3	3-1/16	4- 9/16
P302-040C	4	3- 7/8	5- 9/16
P302-060C	6	5	8-1/4
P302-080C	8	6	10- 3/8
P302-100C	10	9-13/16	15- 5/16
P302-100CF ⁺	10	11-9/16	20-1/16
P302-120C	12	10-13/16	17- 1/4
P302-120CF ⁺	12	13-5/16	23-5/16
P302-140CF ⁺	14	15-5/8	27-1/8
P302-160CF ⁺	16	18-1/16	31-1/16
P302-180CF ⁺	18	20-1/2	35
P302-200CF ⁺	20	22-7/8	38-7/8
P302-240CF ⁺	24	27-1/16	46-11/16

P300S 1/4 Bend w/Side Inlet (90° EII)

All Hub

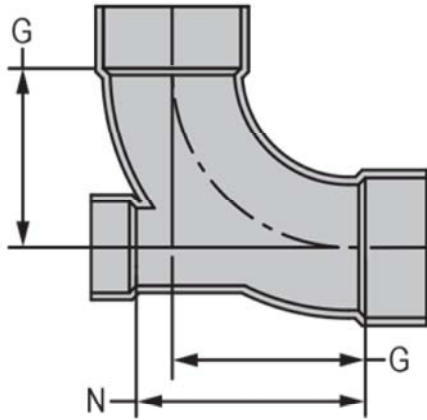


Part Number	Size	G
P300S-338C	3X3X2	3- 1/16



P303 1/4 Bend w/Low Heel Inlet

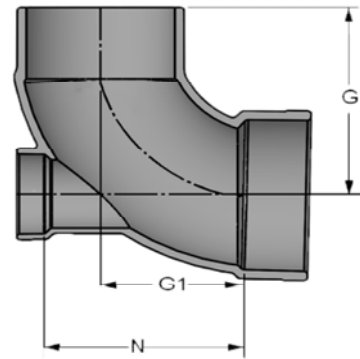
H x H x H



Part Number	Size	G	N
P303-338C	3X3X2	3- 1/16	4- 7/16
P303-420C	4X4X2	3-7/8	5-1/4

P306 1/4 Bend w/Low Heel Inlet

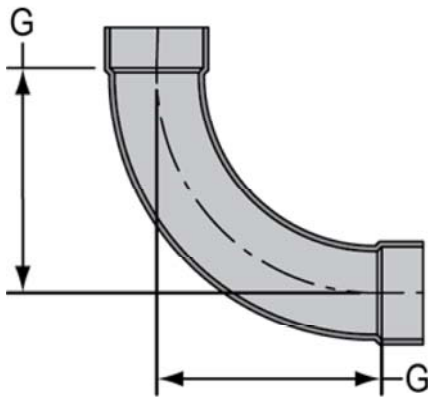
S x H x H



Part Number	Size	G	G1	N
P306-420C	4X4X2	5- 5/8	3- 7/8	5-7/16

P304 1/4 Bend, Long Sweep (90° LS EII)

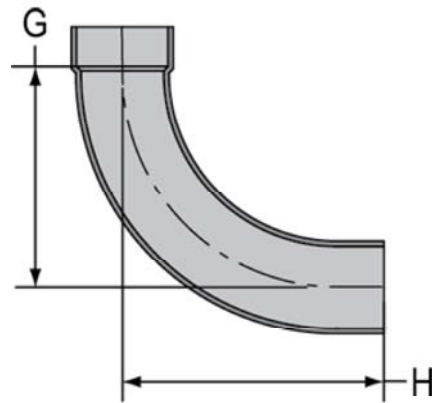
H x H



Part Number	Size	G
P304-015C	1-1/2	2- 3/4
P304-020C	2	3-1/4
P304-030C	3	4-1/16
P304-040C	4	4- 15/16
P304-060C	6	9

P309 1/4 Bend Long Sweep, Street (90° LS Street EII)

H x Spig



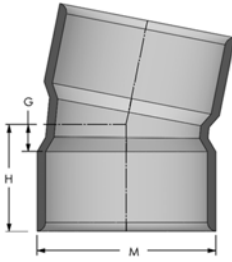
Part Number	Size	G	H
P309-015C	1-1/2	2- 3/4	3-5/16
P309-020C	2	3- 1/4	4
P309-030C	3	4-1/16	5-9/16
P309-040C	4	4-15/16	6-1/2
P309-060C	6	9	11-3/4



LabWaste® Technical
Product Dimensions

P314 1/32 Bend (11-1/4° Ell)

Hub x Hub

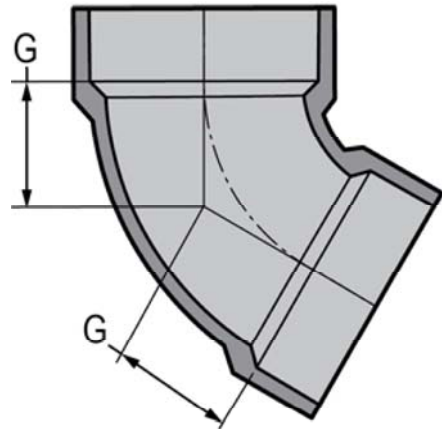


Part Number	Size	G	H	M
P314-020CF*	2	1/2	2-1/4	2-11/16
P314-030CF*	3	11-1/16	2-15/16	3-15/16
P314-040CF*	4	3/4	3	5
P314-060CF*	6	1	4-1/4	7-3/16
P314-080CF*	8	1-1/16	5-5/16	9-1/4
P314-100CF*	10	1-7/16	6-11/16	11-1/2
P314-120CF*	12	1-9/16	7-13/16	13-9/16
P314-140CF*	14	2	9	14-7/8
P314-160CF*	16	2-3/8	10-3/8	17
P314-180CF*	18	2-11/16	11-11/16	19-1/8
P314-200CF*	20	3-1/16	13-1/16	21-3/16
P314-240CF*	24	3-3/4	15-3/4	25-3/8

P319 1/6 Bend (60° Ell)

(Continued)

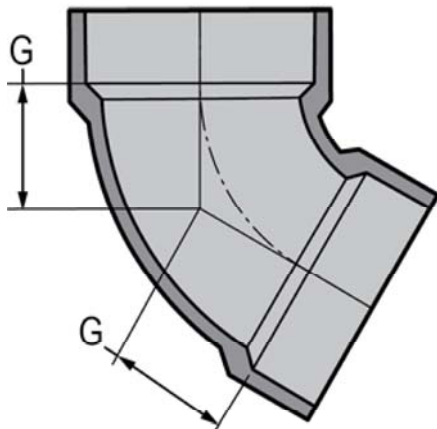
H x H



Part Number	Size	G
P319-160CF*	16	6-5/8
P319-180CF*	18	7-9/16
P319-200CF*	20	16-3/8
P319-240CF*	24	19-13/16

P319 1/6 Bend (60° Ell)

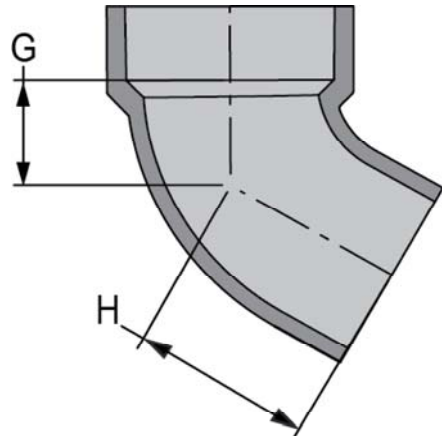
H x H



Part Number	Size	G
P319-015C	1-1/2	1
P319-020C	2	1-5/16
P319-030C	3	1-11/16
P319-040C	4	2-1/16
P319-060CF	6	2-13/16
P319-080CF*	8	3-3/8
P319-100CF*	10	4-5/16
P319-120CF	12	4-15/16
P319-140CF*	14	5-3/4

P320 1/6 Bend, Street (60° Street Ell)

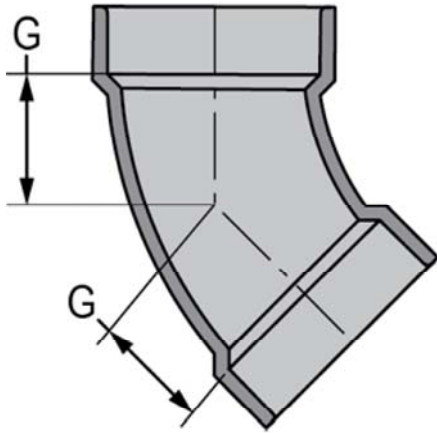
H x Spig



Part Number	Size	G	H
P320-015C	1-1/2	1	1-3/4
P320-020C	2	1-5/16	2-1/8
P320-030C	3	1-11/16	3
P320-040C	4	2-1/16	3-1/2

P321 1/8 Bend (45° Ell)

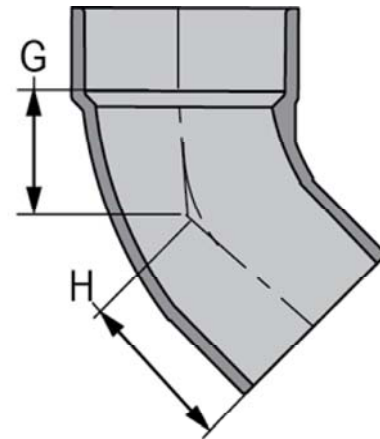
H x H



Part Number	Size	G
P321-015C	1-1/2	1- 1/8
P321-020C	2	1-1/2
P321-030C	3	1-3/4
P321-040C	4	2-3/16
P321-060C	6	2
P321-080C	8	2-1/16
P321-080CF ⁺	8	2-5/8
P321-100C	10	2-5/8
P321-100CF ⁺	10	3-5/16
P321-120C	12	3- 1/8
P321-120CF ⁺	12	3-3/4
P321-140CF ⁺	14	4-7/16
P321-160CF ⁺	16	5-1/8
P321-180CF ⁺	18	5-7/8
P321-200CF ⁺	20	6-9/16
P321-240CF ⁺	24	7-15/16

**P323 1/8 Bend, Street
 (45° Street Ell)**

H x Spig

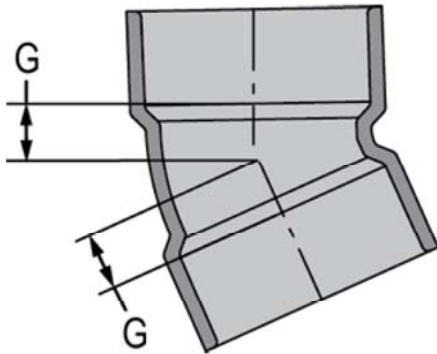


Part Number	Size	G	H
P323-015C	1-1/2	1-1/8	1-3/4
P323-020C	2	1-1/2	2- 3/16
P323-030C	3	1- 3/4	3- 1/4
P323-040C	4	2- 3/16	3-15/16
P323-060C	6	2	5
P323-080C	8	2-1/16	6
P323-100C	10	2-5/8	10-5/8
P323-100CF ⁺	10	3-5/16	11-13/16
P323-120C	12	3-1/8	12-7/8
P323-120CF ⁺	12	3-3/4	13-3/4
P323-140CF ⁺	14	4-7/16	15-15/16
P323-160CF ⁺	16	5-1/8	18-1/8
P323-180CF ⁺	18	5-7/8	20-3/8
P323-200CF ⁺	20	6-9/16	22-9/16
P323-240CF ⁺	24	7-15/16	26-15/16



**P324 1/16 Bend
(22-1/2° Ell)**

H x H

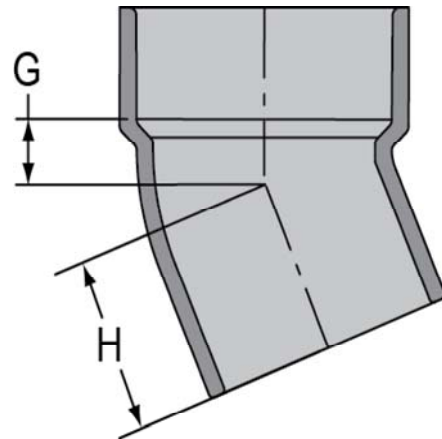


Part Number	Size	G
P324-015C	1-1/2	1/2
P324-020C	2	11/16
P324-030C	3	13/16
P324-040C	4	1
P324-060C	6	1- 1/2
P324-080C	8	1-1/2
P324-100CF*	10	2-1/16
P324-120CF*	12	2-1/4
P324-140CF*	14	2-3/4
P324-160CF*	16	3-1/4
P324-180CF*	18	3-11/16
P324-200CF*	20	4-1/8
P324-240CF*	24	5-1/16

**P326 1/16 Bend, Street
(22-1/2° Street Ell)**

(Continued)

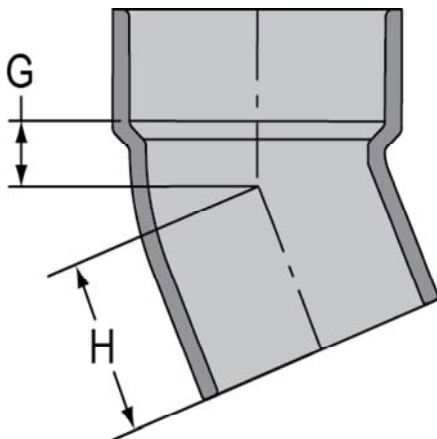
H x Spig



Part Number	Size	G	H
P326-030C	3	13/16	2- 1/4
P326-040C	4	1	2-1/2
P326-060C	6	1- 1/2	4- 1/2
P326-080C	8	1- 1/2	5- 1/2
P326-100CF*	10	2-1/16	10-1/2
P326-120CF*	12	2-1/4	12-1/4
P326-140CF*	14	2-3/4	14-1/4
P326-160CF*	16	3-1/4	16-1/4
P326-180CF*	18	3-11/16	18-3/16
P326-200CF*	20	4-1/8	20-1/8
P326-240CF*	24	5-1/16	24-1/16

**P326 1/16 Bend, Street
(22-1/2° Street Ell)**

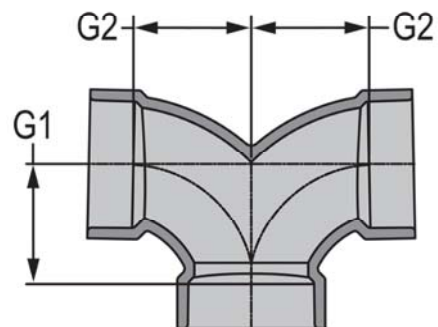
H x Spig



Part Number	Size	G	H
P326-015C	1-1/2	1/2	1- 1/8
P326-020C	2	11/16	1- 3/8

**P327 Double 1/4 Bend
(3 Way Ell)**

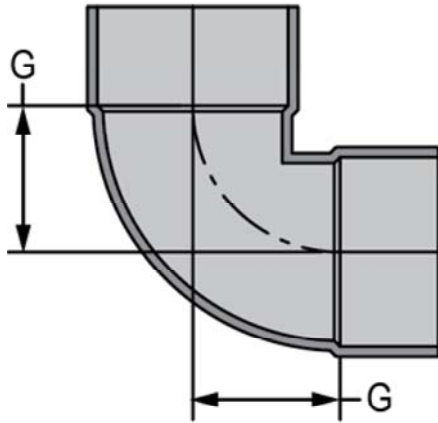
All Hub



Part Number	Size	G1	G2
P327-015C	1-1/2	1- 3/4	1- 3/4
P327-020C	2	2- 5/16	2- 5/16
P327-030C	3	3- 1/16	3- 1/16
P327-040C	4	3-7/8	3-7/8
P327-241C	2X1-1/2X1-1/2	1- 15/16	2-3/16

P331 Vent Ell

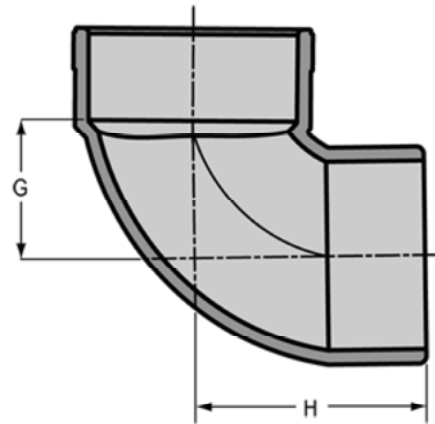
H x H



Part Number	Size	G
P331-015C	1-1/2	1- 3/16
P331-020C	2	1- 1/2
P331-030C	3	1- 7/8
P331-040C	4	2- 1/2
P331-060C	6	3-1/2

P335 Trap Elbow (for use with Traps only)

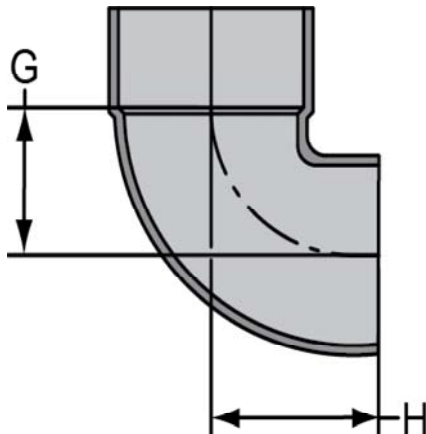
H x S



Part Number	Size	G	H
P335-030C	3	2-1/4	3-7/8
P335-040C	4	2-13/16	4-1/2

P333 Vent Ell, Street

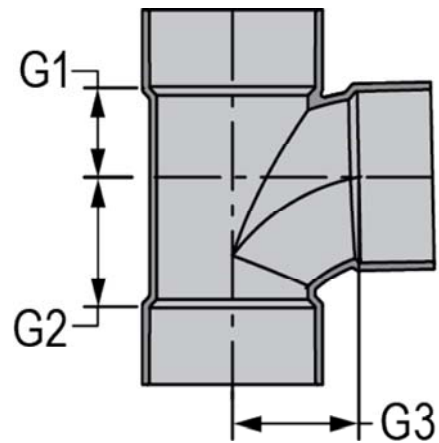
H x Spig



Part Number	Size	G	H
P333-015C	1-1/2	1- 3/16	1-7/8
P333-020C	2	1- 1/2	2- 3/16
P333-030C	3	1- 7/8	3- 5/8
P333-040C	4	2-1/2	4- 7/16

P400 Sanitary Tee

All Hub



Part Number	Size	G1	G2	G3
P400-015C	1-1/2	1	1- 3/4	1- 3/4
P400-020C	2	1-3/8	2- 5/16	2- 5/16
P400-030C	3	1-13/16	3-1/16	3-1/16
P400-040C	4	2- 1/4	3-7/8	3-7/8
P400-060C	6	3- 1/2	5	5
P400-080C	8	4-1/2	6	6
P400-080CF*	8	4-5/8	15-5/16	15-3/16
P400-120CF*	12	5-5/8	21-3/4	21-13/16
P400-100C	10	5-1/2	10	10
P400-100CF*	10	5-3/16	18-5/8	19-1/8
P400-120C	12	6- 9/16	11	11
P400-140CF*	14	5-5/16	23-1/16	22-3/4
P400-160CF*	16	6-5/8	26-7/8	25-1/2
P400-180CF*	18	7-1/16	29-13/16	28-1/16

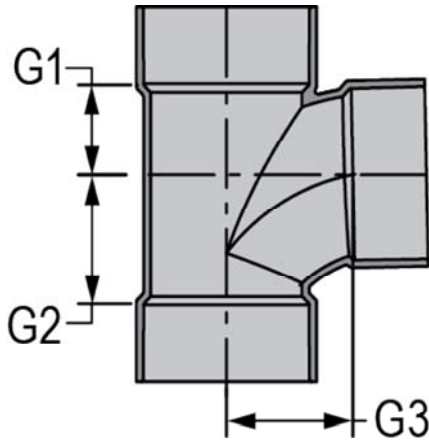


LabWaste® Technical
Product Dimensions

P400 Sanitary Tee

(Continued)

All Hub

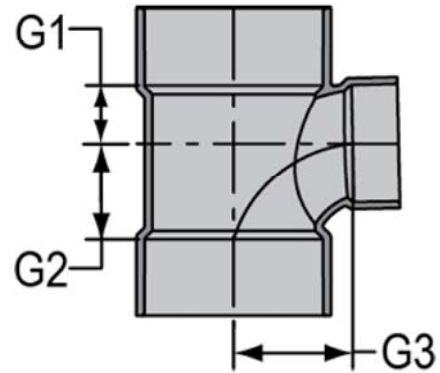


Part Number	Size	G1	G2	G3
P400-200CF*	20	7-9/16	34-3/16	32-1/16
P400-240CF*	24	7-11/16	38-5/16	37-13/16

P401 Sanitary Tee, Reducing

(Continued)

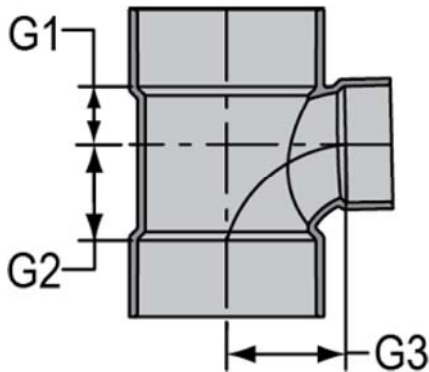
All Hub



Part Number	Size	G1	G2	G3
P401-626CF	10X6	4-15/16	12-13/16	13-7/8
P401-628CF	10X8	5-1/4	15-3/4	16-3/16
P401-661CF*	12X2	3-15/16	6-9/16	10-5/16
P401-663CF*	12X3	4-1/4	7-3/4	12-5/8
P401-664CF*	12X4	4-5/16	9-3/16	13-1/8
P401-666CF	12X6	4-7/8	12-5/8	14-7/8
P401-668CF	12X8	5	15-1/2	17-1/8
P401-670CF*	12X10	5-1/16	18-7/16	20-1/16
P401-691CF*	14X2	3-11/16	6-5/16	10-15/16
P401-693CF*	14X3	4-1/2	8	13-3/16
P401-694CF*	14X4	4-9/16	9-7/16	13-11/16
P401-696CF*	14X6	4-5/8	12-3/8	15-7/16
P401-698CF*	14X8	4-13/16	15-3/16	17-3/4
P401-700CF*	14X10	4-7/8	18-1/8	20-11/16
P401-702CF*	14X12	6	22	22-3/8
P401-753CF*	16X3	5-3/16	8-9/16	14-1/8
P401-754CF*	16X4	5-1/8	9-7/8	14-5/8
P401-756CF*	16X6	6-1/16	13-11/16	16-3/8
P401-758CF*	16X8	5-3/8	15-5/8	18-11/16
P401-760CF*	16X10	5-7/16	18-9/16	21-5/8
P401-762CF*	16X12	5-9/16	21-7/16	23-5/16
P401-764CF*	16X14	5-9/16	23-3/16	23-11/16
P401-784CF*	18X4	5-9/16	10-3/16	15-9/16
P401-786CF*	18X6	6-1/8	13-5/8	17-5/16
P401-788CF*	18X8	6-5/16	16-7/16	19-5/8
P401-790CF*	18X10	5-7/8	18-7/8	22-9/16
P401-792CF*	18X12	6	21-3/4	24-1/4
P401-794CF*	18X14	5-5/8	23-1/8	24-5/8
P401-796CF*	18X16	6-13/16	26-15/16	26-7/16
P401-814CF*	20X4	6-1/8	10-5/8	16-9/16
P401-816CF*	20X6	6-3/16	13-9/16	18-5/16
P401-818CF*	20X8	6-5/16	16-7/16	20-9/16
P401-820CF*	20X10	5-7/8	18-7/8	23-1/2
P401-822CF*	20X12	6-1/2	22-1/4	25-1/4
P401-824CF*	20X14	6-3/16	23-9/16	25-9/16

P401 Sanitary Tee, Reducing

All Hub

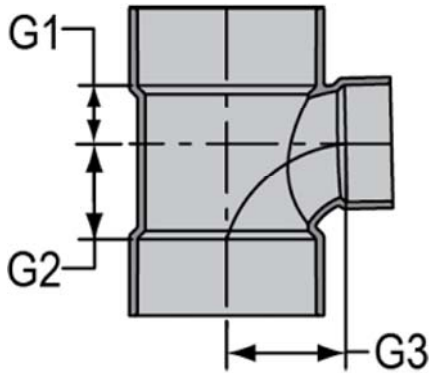


Part Number	Size	G1	G2	G3
P401-241C	2X1-1/2X1-1/2	1- 3/16	1-15/16	2- 3/16
P401-251C	2X2X1-1/2	1-3/16	1-15/16	2-3/16
P401-257C	2X1-1/2X2	1- 3/8	2- 5/16	2- 5/16
P401-337C	3X3X1-1/2	15/16	1- 3/4	2- 9/16
P401-338C	3X3X2	1-3/16	2-1/8	2-7/8
P401-419C	4X1-1/2	1-1/8	2-1/16	3-3/8
P401-420C	4X4X2	1-1/8	2-1/16	3- 5/16
P401-422C	4X4X3	1-3/4	3	3-9/16
P401-530CF	6X3	3-1/4	7	9-11/16
P401-532C	6X4	2-3/16	3-5/8	4-11/16
P401-582C	8X4	4-1/2	6	8- 7/8
P401-578CF	8X2	3-1/2	6-1/4	8-3/8
P401-585CF	8X6	3-7/8	11-3/4	12-7/8
P401-621CF*	10X2	3-1/2	6-1/4	9-3/8
P401-623CF*	10X3	4-1/16	7-11/16	11-5/8
P401-624CF	10X4	4-5/16	9-5/16	12-1/8

P401 Sanitary Tee, Reducing

(Continued)

All Hub

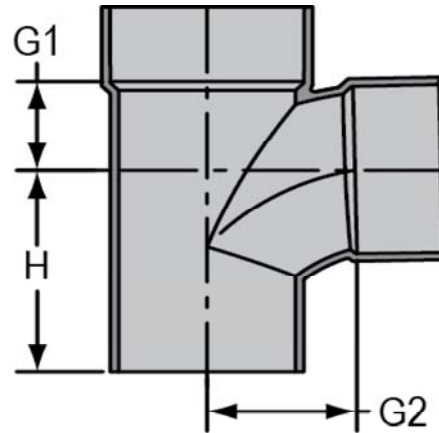


Part Number	Size	G1	G2	G3
P401-826CF*	20X16	6-3/8	26-3/8	27-3/8
P401-828CF*	20X18	6-9/16	29-3/16	29-1/16
P401-904CF*	24X4	6-15/16	11-5/16	18-7/16
P401-906CF*	24X6	7-1/8	14-3/8	20-3/16
P401-908CF*	24X8	7-5/16	17-3/16	22-1/2
P401-910CF*	24X10	7	19-3/4	25-7/16
P401-912CF*	24X12	7-1/2	23	27-1/8
P401-914CF*	24X14	7-3/8	24-5/8	27-1/2
P401-916CF*	24X16	8-7/16	28-5/16	29-5/16
P401-918CF*	24X18	8-5/8	31-1/8	30-15/16
P401-920CF*	24X20	8-1/2	33-3/4	33-15/16

P403 Sanitary Tee, Street

(Continued)

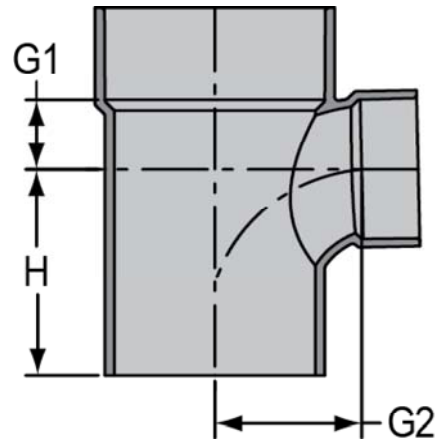
S x H x H



Part Number	Size	G1	G2	H
P403-100C	10	5-5/8	10	14-5/8
P403-120C	12	6-1/2	11	16-1/4

P404 Sanitary Tee, Street, Reducing

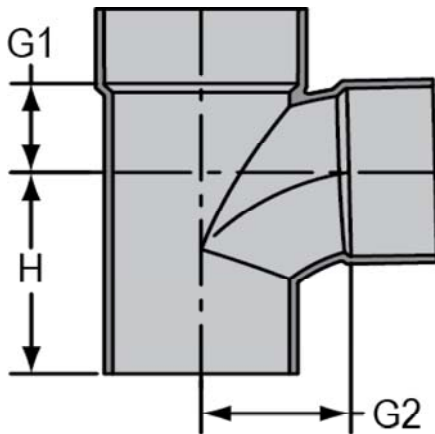
S x H x H



Part Number	Size	G1	G2	H
P404-241C	2X1-1/2X1-1/2	1-3/16	2-3/16	2-11/16
P404-251C	2X1-1/2	1-3/16	2-3/16	2-11/16
P404-337C	3X3X1-1/2	15/16	2-9/16	3-9/32
P404-338C	3X3X2	1-3/16	2-7/8	3-5/8

P403 Sanitary Tee, Street

S x H x H

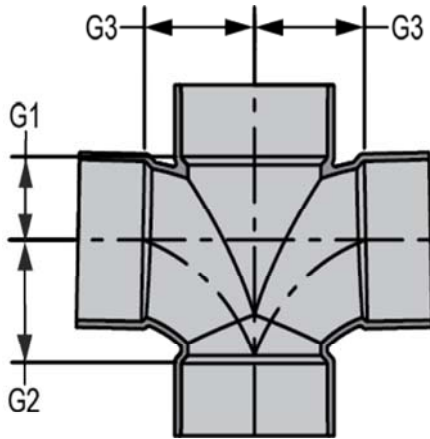


Part Number	Size	G1	G2	H
P403-015C	1-1/2	1	1-3/4	2-7/16
P403-020C	2	1-3/8	2-5/16	3-3/16
P403-030C	3	1-13/16	3-1/16	4-1/2
P403-040C	4	2-1/4	3-7/8	5-5/8
P403-060C	6	3-1/2	5	7-1/2
P403-080C	8	4-1/2	6	9-3/8



P428 Double Sanitary Tee

All Hub

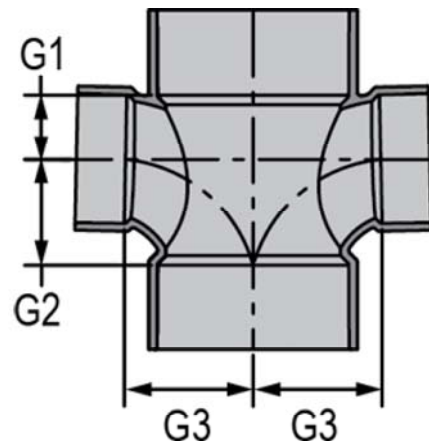


Part Number	Size	G1	G2	G3
P428-015C	1-1/2	1	1-3/4	1-3/4
P428-020C	2	1-3/8	2-5/16	2-5/16
P428-030C	3	1-13/16	3-1/16	3-1/16
P428-040C	4	2-1/4	3-7/8	3-7/8
P428-060CF*	6	4-3/16	12-3/16	11-5/16
P428-080CF*	8	4-5/8	15-5/16	15-3/16
P428-100CF*	10	5-3/16	18-5/8	19-1/8
P428-120CF*	12	5-5/8	21-3/4	21-13/16
P428-140CF*	14	5-5/16	23-1/16	22-3/4
P428-160CF*	16	6-5/8	26-7/8	25-1/2
P428-180CF*	18	7-1/16	29-13/16	28-1/16
P428-200CF*	20	7-9/16	34-3/16	32-1/16
P428-240CF*	24	7-11/16	38-5/16	37-13/16

P429 Double Sanitary Tee, Reducing

(Continued)

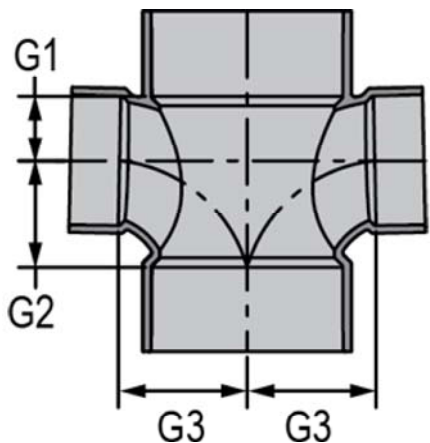
All Hub



Part Number	Size	G1	G2	G3
P429-338C	3X3X2X2	1- 1/8	2- 1/8	2- 7/8
P429-419C	4X4X1-1/2X1-1/2	1- 1/16	2	3-1/4
P429-420C	4X4X2X2	1- 1/8	2- 1/16	3- 5/16
P429-422C	4X4X3X3	1- 3/4	3	3- 9/16
P429-532CF*	6X6X4X4	3-5/16	8-7/16	10-3/16
P429-578CF*	8X8X2X2	3-1/2	6-1/4	8-3/8
P429-580CF*	8X8X3X3	3-3/4	7-1/2	10-5/8
P429-582CF*	8X8X4X4	3-7/8	8-7/8	11-1/8
P429-585CF*	8X8X6X6	3-7/8	11-3/4	12-7/8
P429-621CF*	10X2	3-1/2	6-1/4	9-3/8
P429-623CF*	10X3	4-1/16	7-11/16	11-5/8
P429-624CF*	10X4	4-5/16	9-5/16	12-7/8
P429-626CF*	10X6	4-15/16	12-13/16	13-7/8
P429-628CF*	10X8	5-1/4	15-3/4	16-3/16
P429-661CF*	12X2	3-15/16	6-9/16	10-5/16
P429-663CF*	12X3	4-5/16	9-3/16	13-1/8
P429-664CF*	12X4	4-7/8	12-5/8	14-7/8
P429-666CF*	12X6	4-7/8	12-5/8	14-7/8
P429-668CF*	12X8	5	15-1/2	17-1/8
P429-670CF*	12X10	5-1/16	18-7/16	20-1/16
P429-691CF*	14X2	3-11/16	6-5/16	10-15/16
P429-693CF*	14X3	4-1/2	8	13-3/16
P429-694CF*	14X4	4-9/16	9-7/16	13-11/16
P429-696CF*	14X6	4-5/8	12-3/8	15-7/16
P429-698CF*	14X8	4-13/16	15-3/16	17-3/4
P429-700CF*	14X10	4-7/8	18-1/8	20-1/16
P429-702CF*	14X12	6	22	22-3/8
P429-753CF*	16X3	5-3/16	8-9/16	14-1/8
P429-754CF*	16X4	5-1/8	9-7/8	14-5/8
P429-756CF*	16X6	6-1/16	13-11/16	16-3/8
P429-758CF*	16X8	5-3/8	15-5/8	18-11/16
P429-760CF*	16X10	5-7/16	18-9/16	21-5/8
P429-762CF*	16X12	5-9/16	21-7/16	23-5/16
P429-764CF*	16X14	5-9/16	23-3/16	23-11/16

P429 Double Sanitary Tee, Reducing

All Hub

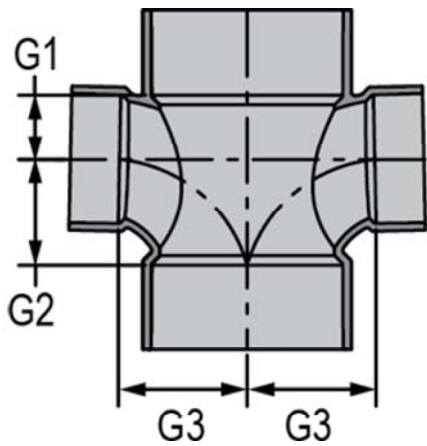


Part Number	Size	G1	G2	G3
P429-241C	2X1-1/2X1-1/2X1-1/2	1- 3/16	1- 15/16	2- 3/16
P429-251C	2X2X1-1/2X1-1/2	1- 3/16	1- 15/16	2- 3/16
P429-337C	3X3X1-1/2X1-1/2	15/16	1- 3/4	2-9/16

P429 Double Sanitary Tee, Reducing

(Continued)

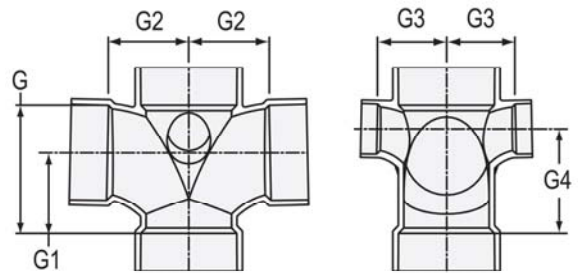
All Hub



Part Number	Size	G1	G2	G3
P429-784CF ⁺	18X4	5-9/16	10-3/16	15-9/16
P429-786CF ⁺	18X6	6-1/8	13-5/8	17-5/16
P429-788CF ⁺	18X8	6-5/16	16-7/16	19-5/8
P429-790CF ⁺	18X10	5-7/8	18-7/8	22-9/16
P429-792CF ⁺	18X12	6	21-3/4	24-1/4
P429-794CF ⁺	18X14	5-5/8	23-1/8	24-5/8
P429-796CF ⁺	18X16	6-13/16	26-15/16	26-7/16
P429-814CF ⁺	20X4	6-1/8	10-5/8	16-9/16
P429-816CF ⁺	20X6	6-3/16	13-9/16	18-5/16
P429-818CF ⁺	20X8	6-5/16	16-7/16	20-9/16
P429-820CF ⁺	20X10	5-7/8	18-7/8	23-1/2
P429-822CF ⁺	20X12	6-1/2	22-1/4	25-1/4
P429-824CF ⁺	20X14	6-3/16	23-9/16	25-9/16
P429-826CF ⁺	20X16	6-3/8	26-3/8	27-3/8
P429-828CF ⁺	20X18	6-9/16	29-3/16	29-1/16
P429-904CF ⁺	24X4	6-15/16	11-5/16	18-7/16
P429-906CF ⁺	24X6	7-1/8	14-3/8	20-3/16
P429-908CF ⁺	24X8	7-5/16	17-3/16	22-1/2
P429-910CF ⁺	24X10	7	19-3/4	25-7/16
P429-912CF ⁺	24X12	7-1/2	23	27-1/8
P429-914CF ⁺	24X14	7-3/8	24-5/8	27-1/2
P429-916CF ⁺	24X16	8-7/16	28-5/16	29-5/16
P429-918CF ⁺	24X18	8-5/8	31-1/8	30-15/16
P429-920CF ⁺	24X20	8-1/2	33-3/4	33-15/16

P439 Double Sanitary Tee with R&L Side Inlets

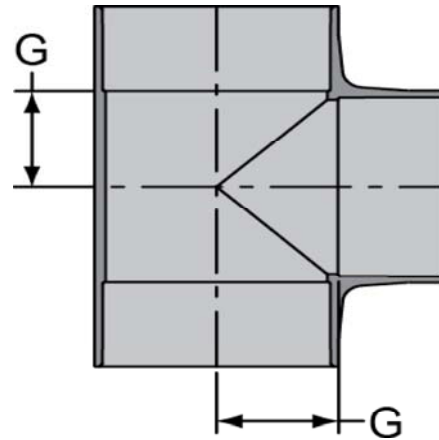
All Hub



Part Number	Size	G	G1	G2	G3	G4
P439-338C	3X3X3X3X2X2	4-7/8	3-1/16	3-1/16	2-7/8	3-11/16
P439-420C	4X4X4X4X2X2	6-1/8	3-7/8	3-7/8	3-3/16	4-15/16

P441 Vent Tee

All Hub



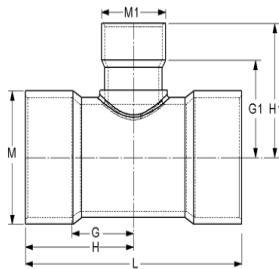
Part Number	Size	G
P441-015C	1-1/2	1-3/16
P441-020C	2	1-1/2
P441-030C	3	1-15/16
P441-040C	4	2-1/2
P441-060C	6	3-5/8
P441-080C	8	4-1/2
P441-080CF ⁺	8	7-5/16
P441-100CF ⁺	10	9
P441-120CF ⁺	12	11-1/4
P441-140CF ⁺	14	11
P441-160CF ⁺	16	12-7/8
P441-180CF ⁺	18	13-3/8
P441-200CF ⁺	20	15-1/2
P441-240CF ⁺	24	17-1/2



LabWaste® Technical
Product Dimensions

P442 Vent Tee, Reducing

All Hub

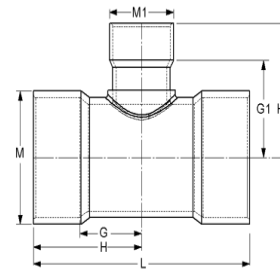


Part Number	Size	G	G1	H	H1	L	M	M1
P442-422CF*	4X3	4-13/16	5	7-1/16	7-1/4	14-1/8	5	3-15/16
P442-528CF*	6X2	3-3/8	5-5/16	6-5/8	7-1/16	13-1/4	7-3/16	2-11/16
P442-530CF*	6X3	4-5/8	6-1/16	7-7/8	8-5/16	15-3/4	7-3/16	3-15/16
P442-578CF*	8X2	4-1/16	6-1/4	8-5/16	8	16-5/8	9-1/4	2-11/16
P442-580CF*	8X3	4-9/16	7	8-13/16	9-1/4	17-5/8	9-1/4	3-15/16
P442-582CF*	8X4	5-1/16	7-5/16	9-5/16	9-9/16	18-5/8	9-1/4	5
P442-623CF*	10X3	4-7/8	8	10-1/8	10-1/4	20-1/4	11-1/2	3-15/16
P442-624CF*	10X4	5-3/8	8-5/16	10-5/8	10-9/16	21-1/4	11-1/2	5
P442-626CF*	10X6	5-7/8	8-3/8	11-1/8	11-5/8	22-1/4	11-1/2	7-3/16
P442-628CF*	10X8	6-3/4	8-5/16	12	12-9/16	24	11-1/2	9-1/4
P442-663CF*	12X3	5-1/4	9	11-1/2	11-1/4	23	13-9/16	3-15/16
P442-664CF*	12X4	5-3/4	9-5/16	12	11-9/16	24	13-9/16	5
P442-666CF*	12X6	7	9-3/8	13-1/4	12-5/8	26-1/2	13-9/16	7-3/16
P442-668CF*	12X8	8	9-5/16	14-1/4	13-9/16	28-1/2	13-9/16	9-1/4
P442-670CF*	12X10	10-1/4	10-3/8	16-1/2	15-5/8	33	13-9/16	11-1/2
P442-693CF*	14X3	4-7/8	9-9/16	11-7/8	11-13/16	23-3/4	14-7/8	3-15/16
P442-694CF*	14X4	5-3/8	9-7/8	12-3/8	12-1/8	24-3/4	14-7/8	5
P442-698CF*	14X8	7-3/8	9-7/8	14-3/8	14-1/8	28-3/4	14-7/8	9-1/4
P442-700CF*	14X10	8-1/2	10-15/16	15-1/2	16-3/16	31	14-7/8	11-1/2
P442-702CF*	14X12	9-1/2	10-3/4	16-1/2	17	33	14-7/8	13-9/16
P442-753CF*	16X3	5-1/8	10-1/2	13-1/8	12-3/4	26-1/4	17	3-15/16
P442-754CF*	16X4	5-5/8	10-13/16	13-5/8	13-1/16	27-1/4	17	5
P442-756CF*	16X6	6-3/4	10-7/8	14-3/4	14-1/8	29-1/2	17	7-3/16
P442-758CF*	16X8	7-3/4	10-13/16	15-3/4	15-1/16	31-1/2	17	9-1/4
P442-760CF*	16X10	8-3/4	11-7/8	16-3/4	17-1/8	33-1/2	17	11-1/2
P442-762CF*	16X12	9-3/4	11-11/16	17-3/4	17-15/16	35-1/2	17	13-9/16
P442-764CF*	16X14	10-3/8	11-15/16	18-3/8	18-15/16	36-3/4	17	14-7/8
P442-784CF*	18X4	6-3/8	11-3/4	15-3/8	14	30-3/4	19-1/8	5
P442-786CF*	18X6	7-3/8	11-13/16	16-3/8	15-1/16	32-3/4	19-1/8	7-3/16
P442-788CF*	18X8	8-3/8	11-3/4	17-3/8	16	34-3/4	19-1/8	9-1/4
P442-790CF*	18X10	9-1/2	12-13/16	18-1/2	18-1/16	37	19-1/8	11-1/2
P442-792CF*	18X12	10-1/2	12-5/8	19-1/2	18-7/8	39	19-1/8	13-9/16
P442-794CF*	18X14	11-1/8	12-7/8	20-1/8	19-7/8	40-1/4	19-1/8	14-7/8
P442-796CF*	18X16	12-1/8	13-13/16	21-1/8	21-13/16	42-1/4	19-1/8	17
P442-814CF*	20X4	6-1/8	12-3/4	16-1/8	15	32-1/4	21-3/16	5
P442-816CF*	20X6	7-1/4	12-13/16	17-1/4	16-1/16	34-1/2	21-3/16	7-3/16
P442-818CF*	20X8	5-1/4	12-3/4	18-1/4	17	36-1/2	21-3/16	9-1/4
P442-820CF*	20X10	9-1/4	13-13/16	19-1/4	19-1/16	38-1/2	21-3/16	11-1/2

P442 Vent Tee, Reducing

(Continued)

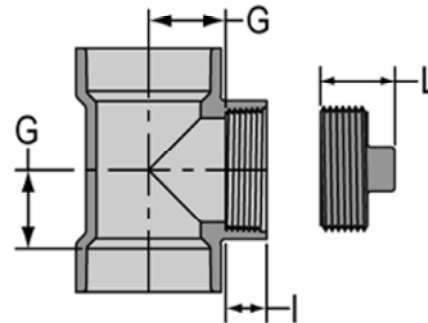
All Hub



Part Number	Size	G	G1	H	H1	L	M	M1
P442-822CF*	20X12	10-1/4	13-5/8	20-1/4	19-7/8	40-1/2	21-3/16	13-9/16
P442-824CF*	20X14	10-7/8	13-7/8	20-7/8	20-7/8	41-3/4	21-3/16	14-7/8
P442-826CF*	20X16	11-7/8	14-13/16	21-7/8	22-13/16	43-3/4	21-3/16	
P442-828CF*	20X18	12-7/8	14-3/8	22-7/8	23-3/8	45-3/4	21-3/16	19-1/8
P442-904CF*	24X4	7-3/8	14-5/8	19-3/8	16-7/8	38-3/4	25-3/8	
P442-906CF*	24X6	8-3/8	14-11/16	20-3/8	17-15/16	40-3/4	25-3/8	7-3/16
P442-908CF*	24X8	9-3/8	14-5/8	21-3/8	18-7/8	42-3/4	25-3/8	9-1/4
P442-910CF*	24X10	10-1/2	15-11/16	22-1/2	20-15/16	45	25-3/8	11-1/2
P442-912CF*	24X12	11-1/2	15-1/2	23-1/2	21-3/4	47	25-3/8	13-9/16
P442-914CF*	24X14	12-1/8	15-3/4	24-1/8	22-3/4	48-1/4	25-3/8	14-7/8
P442-916CF*	24X16	13-1/8	16-11/16	25-1/8	24-11/16	50-1/4	25-3/8	17
P442-918CF*	24X18	14-1/8	16-1/4	26-1/8	25-1/4	52-1/4	25-3/8	19-1/8
P442-920CF*	24X20	15-1/8	17-5/16	27-1/8	27-5/16	54-1/4	25-3/8	21-3/16

P444X Cleanout Tee w/Plug

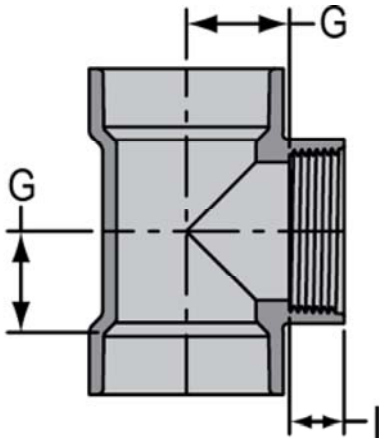
H x H x Fpt



Part Number	Size	G	I	L
P444X-015C	1-1/2	1- 3/16	5/8	1- 3/8
P444X-020C	2	1- 1/2	5/8	1-3/8
P444X-030C	3	1- 7/8	3/4	1-3/4
P444X-040C	4	2- 1/2	7/8	1- 7/8
P444X-060C	6	3-1/2	1	2
P444X-080C	8	4-9/16	1-1/8	2-1/16

P445 Cleanout Tee

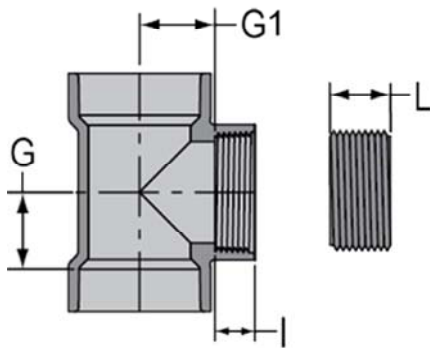
H x H x Fpt



Part Number	Size	G	I
P445-015C	1-1/2	1- 3/16	5/8
P445-020C	2	1-7/16	5/8
P445-030C	3	1- 7/8	3/4
P445-040C	4	2- 1/2	7/8
P445-060C	6	3- 1/2	1

P445X Cleanout Tee with Counter Sunk Plug

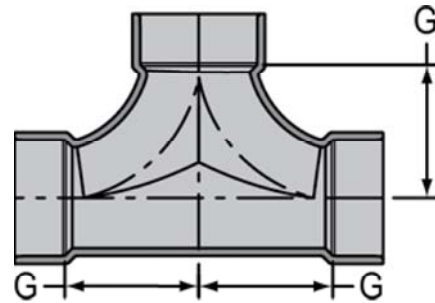
H x H



Part Number	Size	G	G1	I	L
P445X-015C	1-1/2	1-3/16	1-3/16	5/8	5/8
P445X-020C	2	1-1/2	1-1/2	5/8	5/8
P445X-030C	3	1- 7/8	1-7/8	3/4	3/4
P445X-040C	4	2- 1/2	2-1/2	7/8	7/8
P445X-060C	6	3- 1/2	3-1/2	1	1
P445X-080CF	8	7-5/16	4-1/4	1	1-1/2
P445X-100CF	10	9	5-3/4	1	1-1/2
P445X-120CF	12	9-1/4	7-9/16	1	1-1/2

P448 2-WAY Cleanout

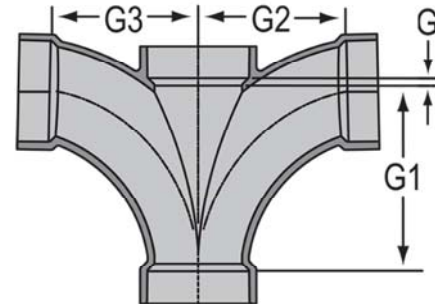
All Hub



Part Number	Size	G
P448-030C	3	4-1/16
P448-040C	4	4-7/8

P500 Double Fixture Fitting

All Hub



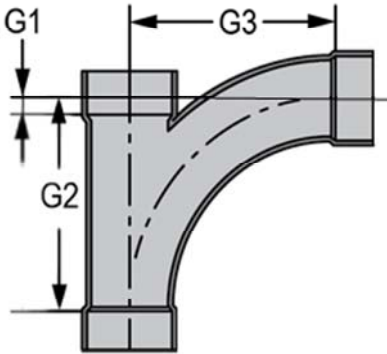
Part Number	Size	G	G1	G2	G3
P500-020C	2X2X2X2	3/8	4-1/4	3- 1/2	3- 1/2
P500-030C	3X3X3X3	1/2	6- 1/4	4-15/16	4-15/16
P500-241C	2X1-1/2X1-1/2X1-1/2	3/8	3- 1/8	2- 7/8	2- 7/8
P500-251C	2X2X1-1/2X1-1/2	3/8	3- 1/4	2-7/8	2-7/8
P500-338C	3X2X3X3	1/2	6- 9/32	4- 7/8	4- 7/8



**LabWaste® Technical
Product Dimensions**

**P501 Combo Wye + 1/8 Bend
(Long Turn Tee Wye)**

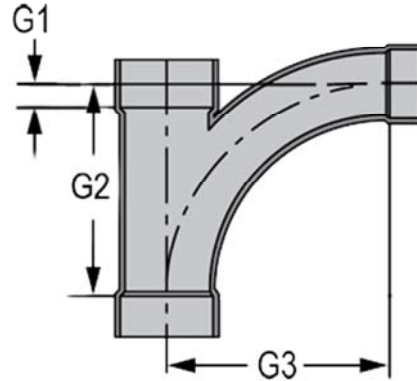
All Hub



Part Number	Size	G1	G2	G3
P501-015C	1-1/2	7/16	3-15/16	3-15/16
P501-020C	2	11/16	5-1/8	5-1/8
P501-030C	3	1-1/8	7-9/16	7-9/16
P501-040C	4	1- 1/2	10	10
P501-060CF*	6	13/16	15-9/16	12-11/16
P501-080CF*	8	3/16	19-3/4	16-1/8
P501-100CF*	10	1/16	23-3/4	19-13/16
P501-120CF*	12	1/2	27-7/8	23-5/8
P501-140CF*	14	1-1/4	29-5/8	29-5/16
P501-160CF*	16	7/8	34-3/8	33
P501-180CF*	18	1-3/8	38-1/4	36-9/16
P501-200CF*	20	1-13/16	43-9/16	41-7/16
P501-240CF*	24	4-5/16	50-5/16	50-5/16

**P502 Combination Wye
+ 1/8 Bend Reducing
(Long Turn Tee Wye)**

All Hub

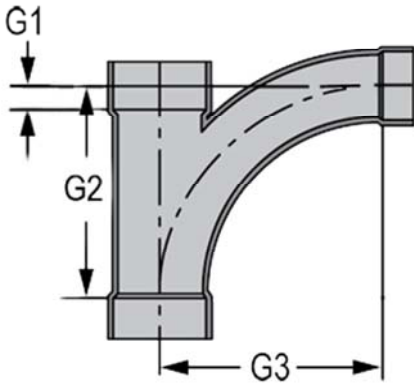


Part Number	Size	G1	G2	G3
P502-251C	2X2X1-1/2	7/16	3-15/16	4- 3/16
P502-337C	3X3X1-1/2	7/16	3-15/16	4-13/16
P502-338C	3X3X2	11/16	5-1/8	5-11/16
P502-420C	4X4X2	5/8	5-1/8	6-1/8
P502-422C	4X4X3	1- 1/16	7-9/16	8-1/16
P502-532CF*	6X4	1/16	11-11/16	11-5/16
P502-578C	8X8X2	7/8	8-7/8	10
P502-578CF*	8X2	1-3/8	8-3/8	9-1/4
P502-580CF*	8X3	15/16	10-5/16	10-1/16
P502-582CF*	8X4	9/16	12-3/16	12-1/4
P502-585CF*	8X6	7/16	15-3/16	13-11/16
P502-621CF*	10X2	1-3/8	8-3/8	10-5/16
P502-623CF*	10X3	1-1/4	10-7/16	11-3/4
P502-624CF*	10X4	1-1/16	12-9/16	13-1/4
P502-626CF*	10X6	1-9/16	16-3/16	14-11/16
P502-628CF*	10X8	3/4	20-1/4	17-1/8
P502-661CF*	12X2	1-13/16	8-11/16	11-1/4
P502-663CF*	12X3	1-3/8	10-5/8	12-11/16
P502-664CF*	12X4	1-1/16	12-7/16	14-1/4
P502-666CF*	12X6	1-1/2	16	15-5/8
P502-668CF*	12X8	9/16	19-15/16	18-1/8
P502-670CF*	12X10	1/16	23-9/16	20-3/4
P502-691CF*	14X2	1-5/8	8-3/8	11-13/16
P502-693CF*	14X3	1-11/16	10-13/16	13-5/16
P502-694CF*	14X4	1-5/16	12-11/16	14-13/16
P502-696CF*	14X6	1-1/4	15-3/4	16-1/4
P502-698CF*	14X8	5/16	19-11/16	18-1/16
P502-700CF*	14X10	1/4	23-1/4	21-3/8
P502-702CF*	14X12	1/8	28-1/8	24-1/4
P502-753CF*	16X3	2-3/8	11-3/8	14-1/4
P502-754CF*	16X4	1-7/8	13-1/8	15-3/4
P502-756CF*	16X6	2-11/16	17-1/16	17-3/16

P502 Combination Wye + 1/8 Bend Reducing (Long Turn Tee Wye)

(Continued)

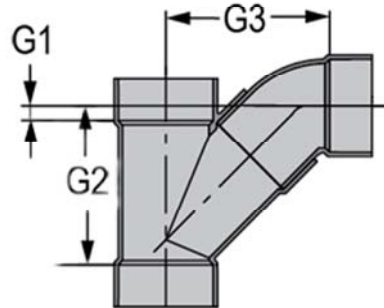
All Hub



Part Number	Size	G1	G2	G3
P502-758CF ²	16X8	7/8	20-1/8	19-5/8
P502-760CF ²	16X10	5/16	23-11/16	22-5/16
P502-762CF ²	16X12	9/16	27-9/16	25-3/16
P502-764CF ²	16X14	1	29-3/4	30-1/4
P502-784CF ²	18X4	2-5/16	13-7/16	16-11/16
P502-786CF ²	18X6	2-3/4	17	18-1/8
P502-788CF ²	18X8	1-13/16	20-15/16	20-9/16
P502-790CF ²	18X10	3/4	24	23-1/4
P502-792CF ²	18X12	1/8	27-7/8	26-1/8
P502-794CF ²	18X14	15/16	29-11/16	31-3/16
P502-796CF ²	18X16	11/16	34-7/16	33-15/16
P502-814CF ²	20X4	2-7/8	13-7/8	17-11/16
P502-816CF ²	20X6	2-13/16	16-15/16	19-1/16
P502-818CF ²	20X8	1-7/8	20-7/8	21-9/16
P502-820CF ²	20X10	3/4	24	24-3/16
P502-822CF ²	20X12	3/8	28-3/8	27-1/16
P502-824CF ²	20X14	3/8	30-1/8	32-1/8
P502-826CF ²	20X16	1-1/8	33-7/8	34-7/8
P502-828CF ²	20X18	1-7/8	37-5/8	37-1/2
P502-904CF ²	24X4	3-11/16	14-9/16	19-9/16
P502-906CF ²	24X6	3-3/4	17-3/4	21
P502-908CF ²	24X8	2-13/16	21-11/16	23-7/16
P502-910CF ²	24X10	1-7/8	24-7/8	26-1/8
P502-912CF ²	24X12	1-3/8	29-1/8	29
P502-914CF ²	24X14	13/16	31-3/16	34-1/16
P502-916CF ²	24X16	15/16	35-13/16	36-13/16
P502-918CF ²	24X18	3/16	39-9/16	39-7/16
P502-920CF ²	24X20	7/8	43-3/16	43-3/8

P503 Combination Wye and 1/8 Bend (Two Piece)

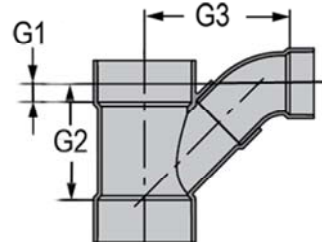
All Hub



Part Number	Size	G1	G2	G3
P503-040C	4	7/8	9-3/16	9-1/2
P503-060C	6	1-1/16	11-3/16	11-1/2
P503-080C	8	1-3/16	14-7/8	14-5/8
P503-100C	10	1-1/4	18-5/16	17-7/8
P503-120C	12	1-11/16	21-9/16	20-15/16

P504 Combination Wye and 1/8 Bend, Reducing (Two Piece)

All Hub



Part Number	Size	G1	G2	G3
P504-241C	2X1-1/2X1-1/2	1/2	4-1/8	4-7/16
P504-422C	4X4X3	1	7-5/8	8-5/16
P504-528C ¹	6X2	5/8	7-13/16	9-3/32
P504-530C	6X3	5/8	7-3/4	9-5/16
P504-532C	6X4	1-3/8	8-1/4	10-1/4
P504-580C	8X3	1-1/8	8-13/16	10-9/16
P504-582C	8X4	1- 1/4	9-1/4	11- 1/8
P504-585C	8X6	1	10-1/2	12-1/2
P504-623C ¹	10X3	1-1/4	12-1/16	14-3/32

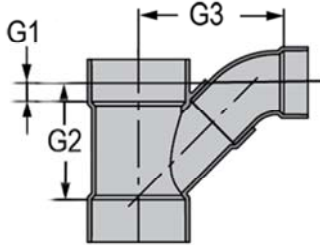


LabWaste® Technical
Product Dimensions

P504 Combination Wye and 1/8 Bend, Reducing (Two Piece)

(Continued)

All Hub

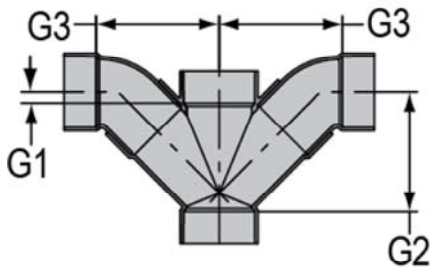


Part Number	Size	G1	G2	G3
P504-624C	10X4	1-7/16	12-1/2	14-11/16
P504-626C	10X6	15/16	11-3/4	14- 1/16
P504-628C	10X8	15/16	14-1/2	15- 1/2
P504-663C ¹	12X3	1-9/32	20-11/16	19-3/16
P504-664C	12X4	1-11/16	21-1/16	20-1/16
P504-666C	12X6	1-9/16	20-15/16	19-3/4
P504-668C ¹	12X8	1-3/16	20-9/16	19-5/16
P504-670C	12X10	5/8	19-11/16	19-1/2

¹ Sized with Bushing

P507 Double Combination Wye and 1/8 Bend

All Hub

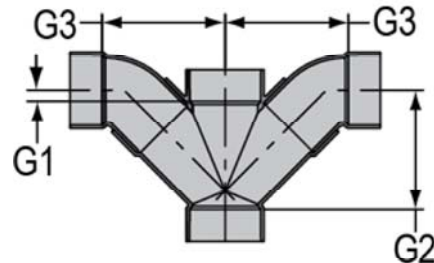


Part Number	Size	G1	G2	G3
P507-020C	2	9/16	5-7/16	5-5/8
P507-030C	3	7/8	7-3/8	7-9/16
P507-040C	4	15/16	9-1/8	9-1/2
P507-060C	6	1-1/16	11-3/16	11-1/2
P507-080CF	8	3/16	19-3/4	16-1/8

P507 Double Combination Wye and 1/8 Bend

(Continued)

All Hub

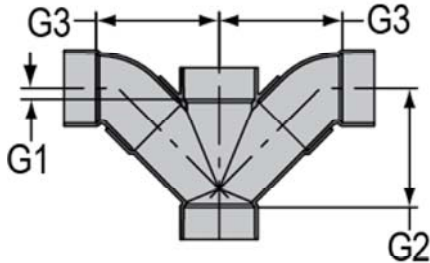


Part Number	Size	G1	G2	G3
P507-100CF ⁺	10	1-1/6	23-3/4	19-13/16
P507-120CF ⁺	12	1/2	27-7/8	23-5/8
P507-140CF ⁺	14	1-1/4	29-5/8	29-5/16
P507-160CF ⁺	16	7/8	34-3/8	33
P507-180CF ⁺	18	1-3/8	38-1/4	36-9/16
P507-200CF ⁺	20	1-13/16	43-9/16	41-7/16
P507-240CF ⁺	24	4-5/16	50-5/16	50-5/16
P507-251C	2X2X1-1/2X1-1/2	3/8	4-21/32	4-23/32
P507-338C	3X3X2X2	3/4	5-11/16	6-3/8
P507-420C	4X4X2X2	7/8	5-7/8	7-1/32
P507-422C	4X4X3X3	1	7-9/16	8-5/16
P507-530C	6X6X3X3	1- 1/4	8-1/8	9-11/16
P507-532C	6X6X4X4	1-3/8	8-1/4	10-1/4
P507-578CF	8X2	1-3/8	8-3/8	9-1/4
P507-580CF ⁺	8X3	15/16	10-5/16	10-11/16
P507-582CF	8X4	9/16	12-3/16	12-1/4
P507-585CF	8X6	7/16	15-3/16	13-11/16
P507-621CF ⁺	10X2	1-3/8	8-3/8	10-5/16
P507-623CF ⁺	10X3	1-1/4	10-1/2	11-3/4
P507-624CF	10X10X4X4	1-1/16	12-9/16	13-1/4
P507-626CF	10X10X6X6	1-9/16	16-3/16	14-11/16
P507-628CF	10X10X8X8	3/4	20-1/4	17-1/8
P507-661CF ⁺	12X2	1-13/16	8-11/16	11-1/4
P507-663CF ⁺	12X3	1-3/8	10-5/8	12-11/16
P507-664CF ⁺	12X12X4X4	1-1/16	12-7/16	14-1/4
P507-666CF ⁺	12X12X6X6	1-1/2	16	15-5/8
P507-668CF	12X12X8X8	9/16	19-15/16	18-1/8
P507-670CF	12X12X10X10	1/16	23-9/16	20-3/4
P507-691CF ⁺	14X2	1-5/8	8-3/8	11-13/16
P507-693CF ⁺	14X3	1-11/16	10-13/16	13-5/16
P507-694CF ⁺	14X14X4X4	1-5/16	12-11/16	14-13/16
P507-696CF ⁺	14X6	1-1/4	15-3/4	16-1/4
P507-698CF ⁺	14X8	5/16	19-11/16	18-11/16
P507-700CF ⁺	14X14X10X10	1/4	23-1/4	21-3/8
P507-702CF ⁺	14X12	1/8	28-1/8	24-1/4

**P507 Double Combination
Wye and 1/8 Bend**

(Continued)

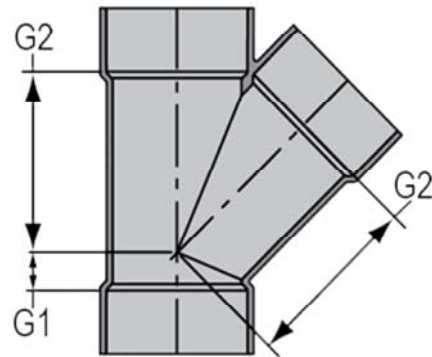
All Hub



Part Number	Size	G1	G2	G3
P507-753CF ⁺	16X3	2-3/8	11-3/8	14-1/4
P507-754CF ⁺	16X4	1-7/8	13-1/8	15-3/4
P507-756CF ⁺	16X6	2-11/16	17-1/16	17-3/16
P507-758CF ⁺	16X8	7/8	20-1/8	19-5/8
P507-760CF ⁺	16X10	5/16	24	22-5/16
P507-762CF ⁺	16X12	9/16	27	25-3/16
P507-764CF ⁺	16X14	1	28-3/4	30-1/4
P507-784CF ⁺	18X4	2-5/16	13-7/16	16-11/16
P507-786CF ⁺	18X6	2-3/4	17	18-1/8
P507-788CF ⁺	18X8	1-13/16	20-15/16	20-9/16
P507-790CF ⁺	18X10	3/4	24	23-1/4
P507-792CF ⁺	18X12	1/8	27-3/4	26-1/8
P507-794CF ⁺	18X14	15/16	29-5/8	31-3/16
P507-796CF ⁺	18X16	11/16	33-7/16	33-15/16
P507-814CF ⁺	20X4	2-7/8	13-7/8	17-1/16
P507-818CF ⁺	20X8	1-7/8	20-7/8	21-9/16
P507-816CF ⁺	20X6	2-13/16	16-15/16	19-1/16
P507-820CF ⁺	20X10	3/4	24	24-3/16
P507-822CF ⁺	20X12	3/8	28-3/8	27-1/16
P507-824CF ⁺	20X14	3/8	29-3/4	32-1/8
P507-826CF ⁺	20X16	1-1/8	32-3/4	34-7/8
P507-828CF ⁺	20X18	1-7/8	35-3/4	37-1/2
P507-904CF ⁺	24X4	3-11/16	14-9/16	19-9/16
P507-906CF ⁺	24X6	3-3/4	17-3/4	21
P507-908CF ⁺	24X8	2-13/16	21-11/16	23-7/16
P507-910CF ⁺	24X10	1-7/8	24-7/8	26-1/8
P507-912CF ⁺	24X12	1-3/8	29-1/8	29
P507-914CF ⁺	24X14	13/16	31-3/16	34-1/16
P507-916CF ⁺	24X16	15/16	35-13/16	36-13/16
P507-918CF ⁺	24X18	3/16	39-9/16	39-7/16
P507-920CF ⁺	24X20	7/8	42-1/4	43-3/8

P600 45° Wye

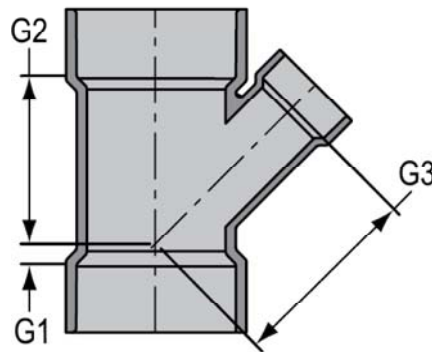
All Hub



Part Number	Size	G1	G2
P600-015C	1-1/2	1- 1/8	2-7/8
P600-020C	2	1-3/8	3-5/8
P600-030C	3	1- 5/8	5
P600-040C	4	1- 7/8	6-3/8
P600-060C	6	1- 3/4	8-7/16
P600-080C	8	2- 3/8	11-3/4
P600-080CF ⁺	8	5-5/8	14-5/16
P600-100C	10	2- 1/2	13-15/16
P600-100CF ⁺	10	6-9/16	17-1/4
P600-120C	12	3- 3/32	16-1/4
P600-120CF ⁺	12	7-5/16	20-1/16
P600-140CF ⁺	14	7-3/16	21-3/16
P600-160CF ⁺	16	8-3/4	24-3/4
P600-180CF ⁺	18	9-7/16	27-7/16
P600-200CF ⁺	20	11-7/16	30-5/16
P600-240CF ⁺	24	11	35

P601 45° Wye, Reducing

All Hub



Part Number	Size	G1	G2	G3
P601-241C	2X1-1/2X1-1/2	3/4	2-13/16	2-15/16
P601-251C	2X2X1-1/2	1-1/16	3-5/16	3-17/32

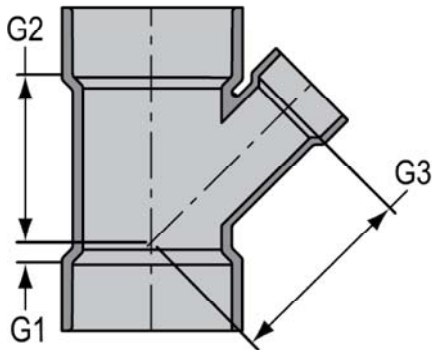


**LabWaste® Technical
Product Dimensions**

P601 45° Wye, Reducing

(Continued)

All Hub

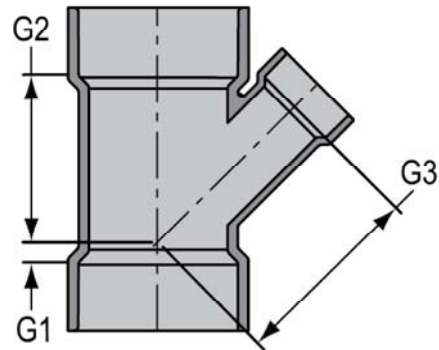


Part Number	Size	G1	G2	G3
P601-257C	2X1-1/2X2	1	3-1/2	3-3/8
P601-337C	3X3X1-1/2	1/2	3-3/4	4- 5/16
P601-338C	3X3X2	7/8	4-1/8	4-5/8
P601-419C	4X4X1-1/2	0	3- 3/4	4-1/2
P601-420C	4X4X2	3/8	4-11/16	5- 9/16
P601-422C	4X4X3	1-1/16	5-9/16	6
P601-528C ¹	6X6X2	3/8	6- 3/4	8- 3/8
P601-530C	6X6X3	1/4	6-15/16	7-3/8
P601-532C	6X6X4	1/4	6- 11/16	7- 7/16
P601-578C ¹	8X8X2	3/8	7-5/8	9-15/16
P601-578CF ⁺	8X8X2	9/16	9-3/16	9-3/4
P601-580C	8X8X3	7/16	9- 1/8	7-5/8
P601-580CF ⁺	8X8X3	1-5/16	9-15/16	10-7/8
P601-582C	8X8X4	3/8	7-5/8	8-5/8
P601-582CF ⁺	8X8X4	2-1/16	10-11/16	11-7/8
P601-585C	8X8X6	1	9- 1/2	9-13/16
P601-585CF ⁺	8X8X6	3-1/2	12-1/8	12-13/16
P601-621C ¹	10X10X2	3/16	11	14-1/8
P601-621CF ⁺	10X10X2	1/2	10-1/4	11-3/16
P601-623C ¹	10X10X3	3/16	10-31/32	14-3/16
P601-623CF ⁺	10X10X3	1/2	11-1/4	12-5/16
P601-624C ¹	10X10X4	3/16	11	13-11/16
P601-624CF ⁺	10X10X4	1-7/16	12-3/16	13-5/16
P601-626C	10X10X6	3/16	11	12
P601-626CF ⁺	10X10X6	3-1/2	14-1/4	14-1/4
P601-628C	10X10X8	1- 7/16	12- 1/2	13
P601-628CF ⁺	10X10X8	5-1/8	15-7/8	15-11/16
P601-661C ¹	12X12X2	3-3/16	16- 3/16	22-1/2
P601-661CF ⁺	12X12X2	1-1/8	11-5/8	12-9/16
P601-663C ¹	12X12X3	3-3/16	16- 3/16	21-13/16
P601-663CF ⁺	12X12X3	3/8	12-3/8	13-11/16
P601-664C ¹	12X12X4	3-3/16	16- 3/16	21-5/16
P601-664CF ⁺	12X12X4	3/8	13-1/8	14-11/16
P601-666C ¹	12X12X6	3-3/16	16- 3/16	20-1/16
P601-666CF ⁺	12X12X6	2-3/8	15-1/8	15-5/8

P601 45° Wye, Reducing

(Continued)

All Hub

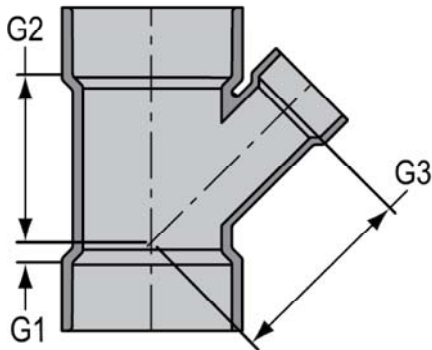


Part Number	Size	G1	G2	G3
P601-668C ¹	12X12X8	3-3/16	16-3/16	19
P601-668CF ⁺	12X12X8	3-7/8	16-5/8	17-1/16
P601-670C ¹	12X10	3-3/16	16- 3/16	17-1/2
P601-670CF ⁺	12X12X10	5-3/8	18-1/8	18-1/8
P601-691CF ⁺	14X14X2	2	12	13-7/16
P601-693CF ⁺	14X14X3	3/4	13-1/4	14-9/16
P601-694CF ⁺	14X14X4	0	14	15-9/16
P601-696CF ⁺	14X14X6	1-1/2	15-1/2	16-1/2
P601-698CF ⁺	14X14X8	3	17	7-15/16
P601-700CF ⁺	14X14X10	4-1/2	18-1/2	19
P601-702CF ⁺	14X14X12	7	21	20-15/16
P601-751CF ⁺	16X16X2	2	14	14-3/4
P601-753CF ⁺	16X16X3	1-1/8	14-7/8	15-7/8
P601-754CF ⁺	16X16X4	1/2	15-1/2	16-7/8
P601-756CF ⁺	16X16X6	1-7/8	17-7/8	17-13/16
P601-758CF ⁺	16X16X8	2-1/2	18-1/2	19-1/4
P601-760CF ⁺	16X16X10	4	20	20-5/16
P601-762CF ⁺	16X16X12	5-1/2	21-1/2	22-1/4
P601-764CF ⁺	16X16X14	6-3/8	22-3/8	22-1/2
P601-784CF ⁺	18X18X4	1-1/8	16-7/8	18-3/16
P601-786CF ⁺	18X18X6	7/8	18-7/8	19-1/8
P601-788CF ⁺	18X18X8	2-3/8	20-3/8	20-9/16
P601-790CF ⁺	18X18X10	3-3/8	21-3/8	21-5/8
P601-792CF ⁺	18X18X12	4-7/8	22-7/8	23-9/16
P601-794CF ⁺	18X14	5-3/8	23-3/8	23-13/16
P601-796CF ⁺	18X18X16	7-7/8	25-7/8	26-1/16
P601-814CF ⁺	20X20X4	1-5/8	18-3/8	19-9/16
P601-816CF ⁺	20X20X6	1/8	19-7/8	20-1/2
P601-818CF ⁺	20X20X8	1-3/8	21-3/8	21-15/16
P601-820CF ⁺	20X20X10	2-3/8	22-3/8	23
P601-822CF ⁺	20X20X12	4-3/8	24-3/8	24-15/16
P601-824CF ⁺	20X20X14	4-7/8	24-7/8	25-3/16
P601-826CF ⁺	20X16	6-3/8	26-3/8	27-7/16
P601-828CF ⁺	20X18	7-7/8	27-7/8	26-13/16
P601-904CF ⁺	24X4	2-7/8	21-1/8	22-1/4

P601 45° Wye, Reducing

(Continued)

All Hub

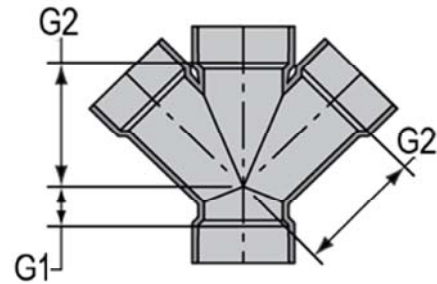


Part Number	Size	G1	G2	G3
P601-906CF [†]	24X24X6	1-1/4	22-3/4	23-3/16
P601-908CF [†]	24X24X8	1/4	24-1/4	24-5/8
P601-910CF [†]	24X24X10	1-3/8	25-3/8	25-11/16
P601-912CF [†]	24X24X12	3-1/4	27-1/4	27-5/8
P601-914CF [†]	24X24X14	4	28	27-7/8
P601-916CF [†]	24X24X16	6-3/8	30-3/8	30-1/8
P601-918CF [†]	24X24X18	7-7/8	31-7/8	31-1/2
P601-920CF [†]	24X24X20	9-1/8	33-1/8	33

[†] Sized with Bushing

P611 Double Wye

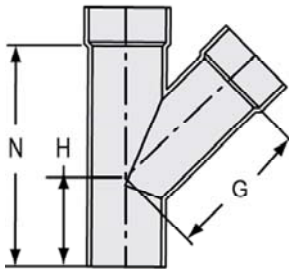
All Hub



Part Number	Size	G1	G2
P611-015C	1-1/2	1- 1/8	2-7/8
P611-020C	2	1- 3/8	3-3/8
P611-030C	3	1- 5/8	5
P611-040C	4	1-7/8	6-3/8
P611-060C	6	1-3/4	8-7/16
P611-080CF	8	5-5/8	14-5/16
P611-100CF	10	6-9/16	17-1/4
P611-120CF	12	7-5/16	20-1/16
P611-140CF [†]	14	7-3/16	21-3/16
P611-160CF [†]	16	8-3/4	24-3/4
P611-180CF [†]	18	9-7/16	27-7/16
P611-200CF [†]	20	11-7/16	30-5/16
P611-240CF [†]	24	11	35

P602 45° Wye, Street

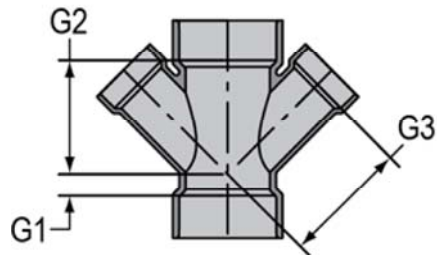
S x H x H



Part Number	Size	G	H	N
P602-030C	3	5	3	8
P602-040C	4	6-7/16	3-1/2	9 15/16

P612 Double Wye, Reducing

All Hub



Part Number	Size	G1	G2	G3
P612-241C	2X1-1/2X1-1/2X1-1/2	1-1/16	3-5/16	3-7/16
P612-251C	2X2X1-1/2X1-1/2	1- 1/16	3- 5/16	3- 7/16
P612-337C	3X3X1-1/2X1-1/2	1/2	3- 3/4	4- 5/16
P612-338C	3X3X2X2	7/8	4- 1/16	4- 5/8
P612-420C	4X4X2X2	3/8	4- 11/16	5-9/16

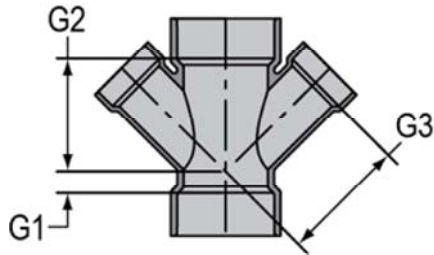


LabWaste® Technical
Product Dimensions

P612 Double Wye, Reducing

(Continued)

All Hub

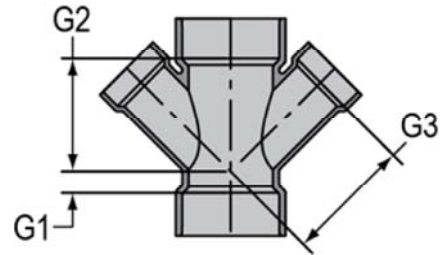


Part Number	Size	G1	G2	G3
P612-422C	4X4X3X3	1- 1/16	5- 9/16	6
P612-530C ¹	6X6X3X3	3/16	6-11/16	7-15/16
P612-532C	6X6X4X4	3/16	6-11/16	7- 7/16
P612-578CF ⁺	8X8X2X2	9/16	9-3/16	9-3/4
P612-580CF	8X8X3X3	1-5/16	9-15/16	10-7/8
P612-582CF	8X8X4X4	2-1/16	10-11/16	11-7/8
P612-585CF	8X8X6X6	3-1/2	12-1/8	12-13/16
P612-621CF ⁺	10X10X2X2	1/2	10-1/4	11-3/16
P612-623CF ⁺	10X10X3X3	1/2	11-1/4	12-5/16
P612-624CF	10X10X4X4	1-7/16	12-3/16	13-5/16
P612-626CF ⁺	10X10X6X6	3-1/2	14-1/4	14-1/4
P612-628CF	10X10X8X8	5-1/8	15-7/8	15-11/16
P612-661CF ⁺	12X12X2X2	1-1/8	11-5/8	12-9/16
P612-663CF ⁺	12X12X3X3	3/8	12-3/8	13-11/16
P612-664CF	12X12X4X4	3/8	13-1/8	14-11/16
P612-666CF ⁺	12X12X6X6	2-3/8	15-1/8	15-5/8
P612-668CF ⁺	12X12X8X8	3-7/8	16-5/8	17-1/16
P612-670CF ⁺	12X12X10X10	5-3/8	18-1/8	18-1/8
P612-691CF ⁺	14X14X2X2	2	12	13-7/16
P612-693CF ⁺	14X14X3X3	3/4	13-1/4	16-13/16
P612-694CF ⁺	14X14X4X4	0	14	15-9/16
P612-698CF ⁺	14X14X8X8	3	17	17-15/16
P612-696CF ⁺	14X14X6X6	1-1/2	15-1/2	16-1/2
P612-700CF ⁺	14X14X10X10	4-1/2	18-1/2	19
P612-702CF ⁺	14X14X12X12	7	21	20-15/16
P612-751CF ⁺	16X16X2X2	2	14	14-3/4
P612-753CF ⁺	16X16X3X3	1-1/8	14-7/8	15-7/8
P612-754CF ⁺	16X16X4X4	1/2	15-1/2	16-7/8
P612-756CF ⁺	16X16X6X6	1-7/8	17-7/8	17-13/16
P612-758CF ⁺	16X16X8X8	2-1/2	18-1/2	19-1/4
P612-760CF ⁺	16X16X10X10	4	20	20-5/16
P612-762CF ⁺	16X16X12X12	5-1/2	21-1/2	22-1/4
P612-764CF ⁺	16X16X14X14	6-3/8	22-3/8	22-1/2
P612-784CF ⁺	18X18X4X4	1-1/8	16-7/8	18-3/16
P612-786CF ⁺	18X18X6X6	7/8	18-7/8	19-1/8

P612 Double Wye, Reducing

(Continued)

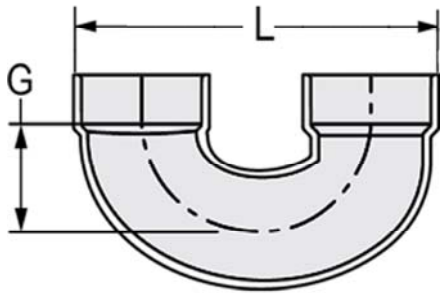
All Hub



Part Number	Size	G1	G2	G3
P612-788CF ⁺	18X18X8X8	2-3/8	20-3/8	20-9/16
P612-790CF ⁺	18X18X10X10	3-3/8	21-3/8	21-5/8
P612-792CF ⁺	18X18X12X12	4-7/8	22-7/8	23-9/16
P612-794CF ⁺	18X18X14X14	5-3/8	23-3/8	23-13/16
P612-796CF ⁺	18X18X16X16	7-7/8	25-7/8	26-1/16
P612-814CF ⁺	20X20X4X4	1-5/8	18-3/8	19-9/16
P612-816CF ⁺	20X20X6X6	1/8	19-7/8	20-1/2
P612-818CF ⁺	20X20X8X8	1-3/8	21-3/8	21-15/16
P612-820CF ⁺	20X20X10X10	2-3/8	22-3/8	23
P612-822CF ⁺	20X20X12X12	4-3/8	24-3/8	24-15/16
P612-824CF ⁺	20X20X14X14	4-7/8	24-7/8	25-3/16
P612-826CF ⁺	20X20X16X16	6-3/8	26-3/8	27-7/16
P612-828CF ⁺	20X20X18X18	7-7/8	27-7/8	28-13/16
P612-904CF ⁺	24X24X4X4	2-7/8	21-1/8	22-1/4
P612-906CF ⁺	24X24X6X6	1-1/4	22-3/4	23-3/16
P612-908CF ⁺	24X24X8X8	1/4	24-1/4	24-5/8
P612-910CF ⁺	24X24X10X10	1-3/8	25-3/8	25-11/16
P612-912CF ⁺	24X24X12X12	3-1/4	27-1/4	27-5/8
P612-914CF ⁺	24X24X14X14	4	28	27-7/8
P612-916CF ⁺	24X24X16X16	6-3/8	30-3/8	30-1/8
P612-918CF ⁺	24X24X18X18	7-7/8	31-7/8	31-1/2
P612-920CF ⁺	24X24X20X20	9-1/8	33-1/8	33

P700 Return Bend

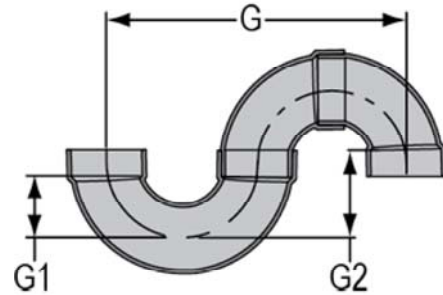
H x H



Part Number	Size	G
P700-015C	1-1/2	1-7/16
P700-020C	2	2- 3/8
P700-030C	3	3
P700-040C	4	3- 3/4
P700-060C	6	5
P700-080C	8	6
P700-100C	10	9-13/16
P700-120C	12	10-3/4

P705 S-Trap

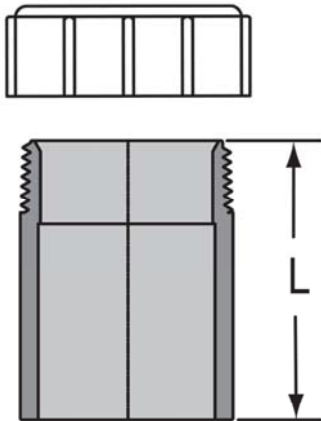
H x H



Part Number	Size	G	G1	G2
P705-015C	1-1/2	7- 1/4	1- 7/16	2- 1/4
P705-020C	2	10- 1/2	2- 3/8	3-1/4
P705-030C	3	14- 3/8	3	4- 1/2
P705-040C	4	17-3/4	3- 3/4	5- 9/16

P704P Tail Piece Adapter

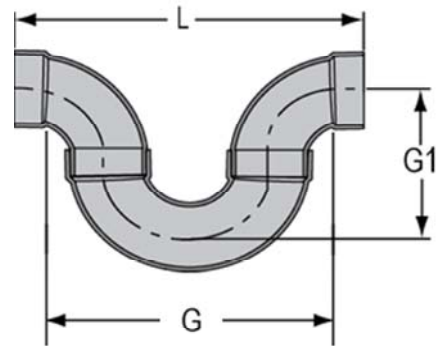
Spig x Slip w/Plastic Nut



Part Number	Size	L
P704P-015C	1-1/2	2- 1/2

P705R Running Trap

H x H



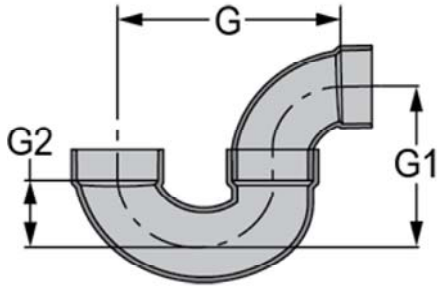
Part Number	Size	G	G1	L
P705R-015C	1-1/2	6-7/16	3- 13/16	7-7/8
P705R-020C	2	9-5/16	5- 9/16	11
P705R-030C	3	12-7/8	7-9/16	15-7/8
P705R-040C	4	16	9- 5/16	19-1/2



LabWaste® Technical
Product Dimensions

P706X P-Trap

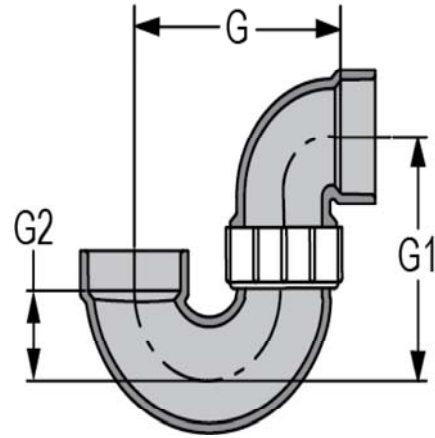
H x H



Part Number	Size	G	G1	G2
P706X-015C	1-1/2	4-3/8	3-5/8	1-7/16
P706X-020C	2	6-1/2	4-5/8	2-3/8
P706X-030C	3	8-7/8	6-7/8	3
P706X-040C	4	11	8-3/16	3-3/4
P706X-060C	6	18-3/8	13-1/4	5
P706X-080C	8	22-9/16	16-1/2	6
P706X-100C	10	35-5/16	25-1/4	9-13/16
P706X-120C	12	39-1/4	28-1/8	10-7/8

P708P P-Trap w/Plastic Nut (Union Connection)

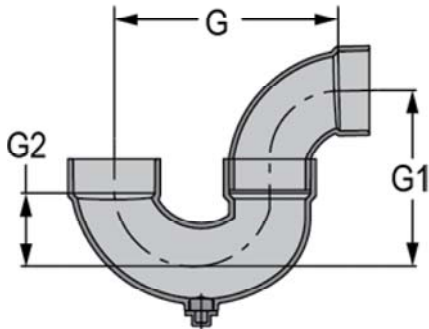
H x H



Part Number	Size	G	G1	G2
P708P-015C	1-1/2	4-1/2	3-3/4	1-7/16
P708P-020C	2	6-7/16	4-3/8	2-5/16

P707X P-Trap w/Cleanout

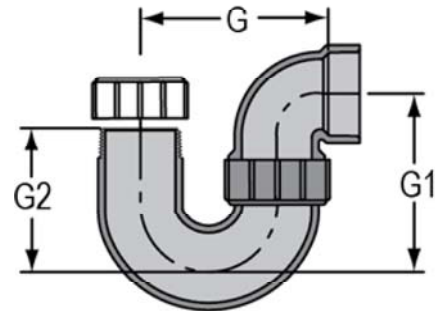
H x H



Part Number	Size	G	G1	G2
P707X-015C	1-1/2	4-3/16	3-13/16	1-3/8

P711P L.A Pattern P-Trap w/Plastic Nut

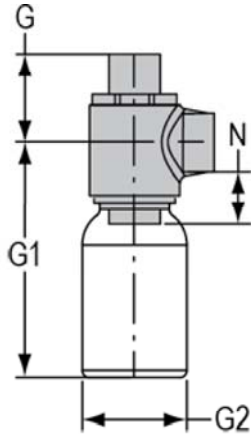
(Union Connection w/Slip Joint) Slip x H w/Plastic Nut



Part Number	Size	G	G1	G2
P711P-015C	1-1/2	4-1/4	3-7/8	3-3/4

P712 Jar Trap

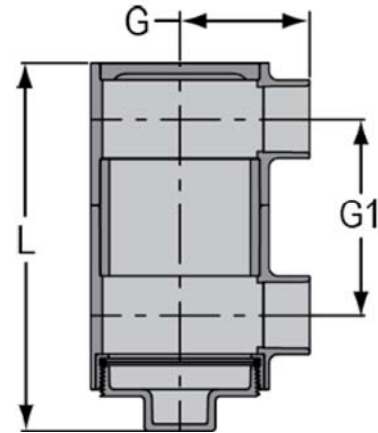
Spig x H
 32 oz. PP Jar



Part Number	Size	G	G1	G2	N
P712-015C	1-1/2	3- 3/16	8- 1/4	3-29/32	1- 7/8

P720 Drum Trap

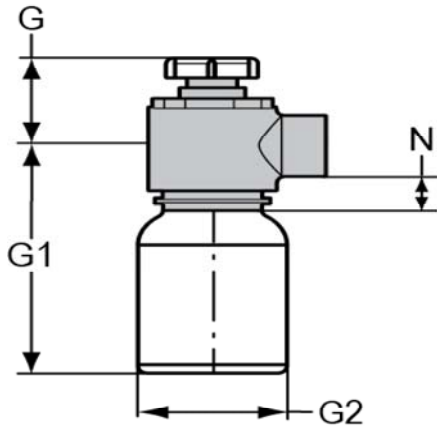
H x H



Part Number	Size	G	G1	L
P720-015C	1-1/2	3- 5/8	5-11/16	10- 5/8
P720-020C	2	3- 7/8	5	10- 3/8
P720-030C	3	4- 1/2	6- 3/4	13- 7/16
P720-040C	4	4- 3/8	8- 1/4	15-11/16

P712P Jar Trap w/Tail Piece Adapter

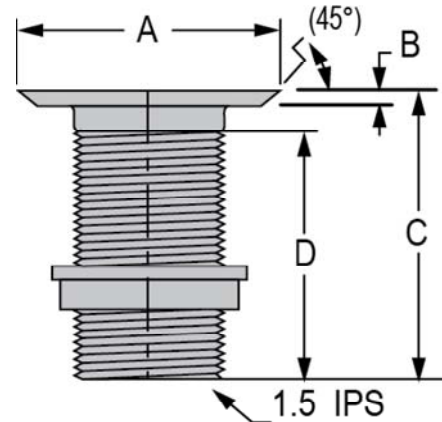
Slip x H
 32 oz. PP Jar



Part Number	Size	G	G1	G2	N
P712P-015C	1-1/2	3- 3/8	8- 1/4	3- 7/8	1- 3/4

Waste Assembly

Sink Outlet



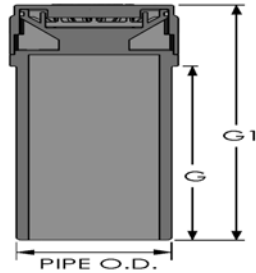
Part Number	Size	A	B	C	D
LWWA-1	1-1/2	2- 7/16	9/32	4- 9/32	3-27/32



LabWaste® Technical
Product Dimensions

LabWaste® Air Admittance Valve With Diaphragm Seal

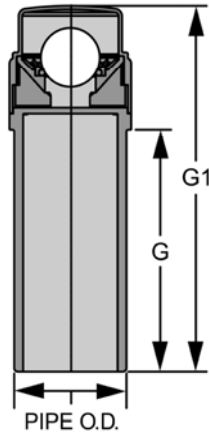
Spigot
Maximum 6 DFU (Drainage Fixture Units)



Part Number	Size	G	G1
AADV-015C	1-1/2	4-1/8	5-9/16

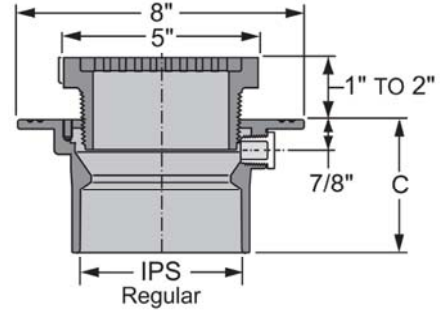
LabWaste® Air Admittance Valve With Ball Seal

Spigot
Maximum 6 DFU (Drainage Fixture Units)



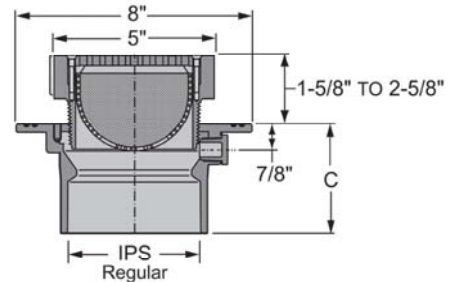
Part Number	Size	G	G1
AAV-015C	1-1/2	4-1/8	6-1/4

LW1500 Floor Drain with CPVC Adjustable Top w/5" Round Grate



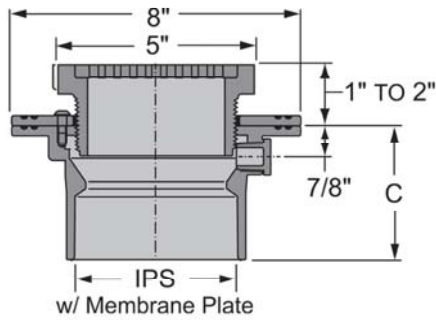
Part Number	Size	C	IPS
LW1500-015C	1-1/2X5	4-3/16	1-1/2
LW1500-020C	2X5	4	2
LW1500-030C	3X5	4	3
LW1500-040C	4X5	3-3/4	4

LW1520 Floor Drain with CPVC Adjustable Top w/5" Round Grate & Strainer



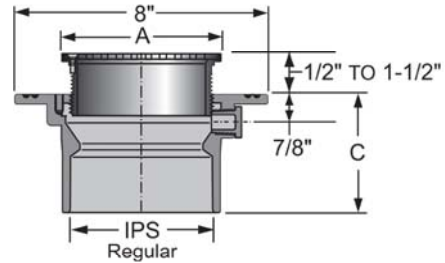
Part Number	Size	C	IPS
LW1520-015C	1-1/2X5	4-3/16	1-1/2
LW1520-020C	2X5	4	2
LW1520-030C	3X5	4	3
LW1520-040C	4X5	3-3/4	4

LW150M Floor Drain with CPVC Adjustable Top w/5" Round Grate and Membrane Collar



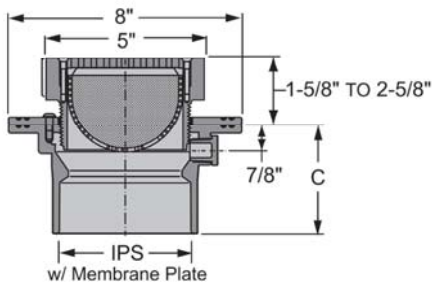
Part Number	Size	C	IPS
LW150M-015C	1-1/2X5	4- 3/16	1- 1/2
LW150M-020C	2X5	4	2
LW150M-030C	3X5	4	3
LW150M-040C	4X5	3- 3/4	4

Floor Drain with Stainless Steel Adjustable Top w/Round Grate



Part Number	Size	A, Nom	C	IPS
LW1500-015S	1-1/2X5	5	4- 3/16	1- 1/2
LW1600-015S	1-1/2X6	6	4- 3/16	1- 1/2
LW1700-015S	1-1/2X7	7	4- 3/16	1- 1/2
LW1800-015S	1-1/2X8	8	4- 3/16	1- 1/2
LW1500-020S	2X5	5	4	2
LW1600-020S	2X6	6	4	2
LW1700-020S	2X7	7	4	2
LW1800-020S	2X8	8	4	2
LW1500-030S	3X5	5	4	3
LW1600-030S	3X6	6	4	3
LW1700-030S	3X7	7	4	3
LW1800-030S	3X8	8	4	3
LW1500-040S	4X5	5	3- 3/4	4
LW1600-040S	4X6	6	3- 3/4	4
LW1700-040S	4X7	7	3- 3/4	4
LW1800-040S	4X8	8	3- 3/4	4

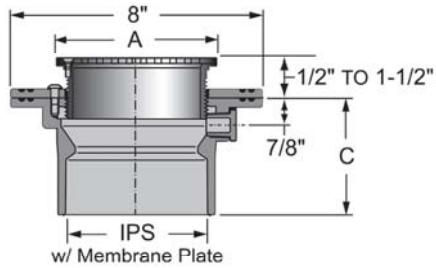
LW152M Floor Drain with CPVC Adjustable Top w/5" Round Grate, Strainer and Membrane Collar



Part Number	Size	C	IPS
LW152M-015C	1-1/2X5	4- 3/16	1- 1/2
LW152M-020C	2X5	4	2
LW152M-030C	3X5	4	3
LW152M-040C	4X5	3- 3/4	4

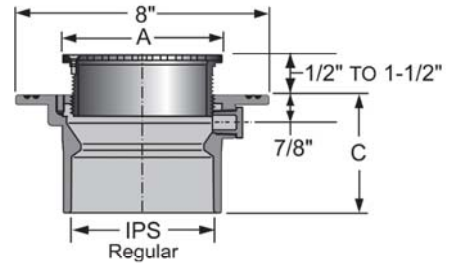


Floor Drain with Stainless Steel Adjustable Top w/Round Grate & Membrane Collar



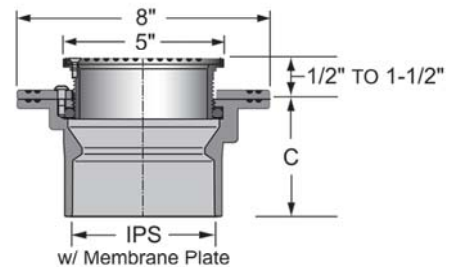
Part Number	Size	A, Nom	C	IPS
LW150M-015S	1-1/2X5	5	4- 3/16	1- 1/2
LW160M-015S	1-1/2X6	6	4-3/16	1-1/2
LW170M-015S	1-1/2X7	7	4-3/16	1- 1/2
LW180M-015S	1-1/2X8	8	4-3/16	1- 1/2
LW150M-020S	2X5	5	4	2
LW160M-020S	2X6	6	4	2
LW170M-020S	2X7	7	4	2
LW180M-020S	2X8	8	4	2
LW150M-030S	3X5	5	4	3
LW160M-030S	3X6	6	4	3
LW170M-030S	3X7	7	4	3
LW180M-030S	3X8	8	4	3
LW150M-040S	4X5	5	3- 3/4	4
LW160M-040S	4X6	6	3-3/4	4
LW170M-040S	4X7	7	3-3/4	4
LW180M-040S	4X8	8	3-3/4	4

LW1510 Floor Cleanout w/Stainless Steel Adjustable Round Top and Solid Access Cover



Part Number	Size	C	IPS
LW1510-015S	1-1/2X5	4- 3/16	1- 1/2
LW1510-020S	2X5	4	2
LW1510-030S	3X5	4	3
LW1510-040S	4X5	3- 3/4	4

LW151M Floor Cleanout w/Stainless Steel Adjustable Round Top, Solid Access Cover and Membrane Collar



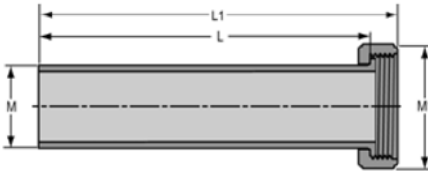
Part Number	Size	C	IPS
LW151M-015S	1-1/2X5	4- 3/16	1- 1/2
LW151M-020S	2X5	4	2
LW151M-030S	3X5	4	3
LW151M-040S	4X5	3- 3/4	4

LWTP CPVC Tail Piece



Part Number	Size	L	M	M1
LWTP-015060	1-1/2X6	6	1-1/2	1-3/4
LWTP-015120	1-1/2X12	12	1-1/2	1-3/4
LWTP-015140	1-1/2X14	14	1-1/2	1-3/4

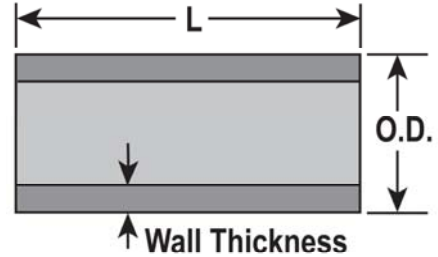
LWTPN CPVC Tail Piece with Nut & Gasket



Part Number	Size	L	L1	M	M1
LWTPN-015060	1-1/2X6	6	6-1/2	1-1/2	2-1/4
LWTPN-015120	1-1/2X12	12	12-1/2	1-1/2	2-1/4
LWTPN-015140	1-1/2X14	14	14-1/2	1-1/2	2-1/4

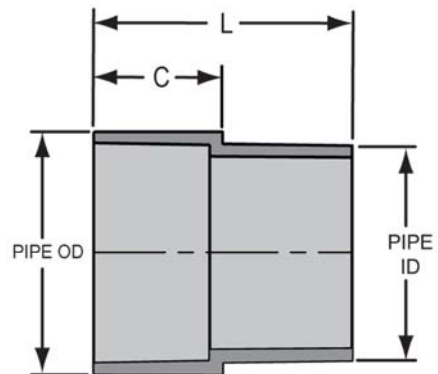
Pipe - LabWaste® CPVC

10' Lengths



Part Number	Size	L	AVG.O.D.	Minimum Wall
LW-015	1-1/2	10	1.900	.145
LW-020	2	10	2.375	.154
LW-030	3	10	3.500	.216
LW-040	4	10	4.500	.237
LW-060	6	10	6.625	.280
LW-080	8	10	8.625	.322
LW-100	10	10	10.750	.365
LW-120	12	10	12.750	.406
LW-140	14	10	14	.437
LW-160	16	10	16	.500
LW-180	18	10	18	.562
LW-200	20	10	20	.593
LW-240	24	10	24	.687

Pipe Extenders, LabWaste®



Part Number	Size	C	L
S0301-15C	1-1/2	1-1/4	2-1/2
S0301-20C	2	1-1/4	2-7/8
S0301-30C	3	2	4
S0301-40C	4	2-1/8	4-1/4