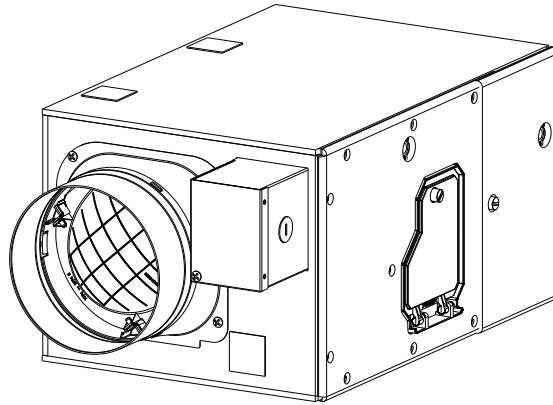


Service Manual

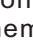
Ventilating Fan FV-15NLFS1H



WARNING

This service information is designed for experienced repair technicians only and is not designed for use by the general public. It does not contain warnings or cautions to advise non-technical individual of potential dangers in attempting to service a product. Products powered by electricity should be serviced or repaired only by experienced professional technicians. Any attempt to service or repair the product or products dealt with in this service information by anyone else could result in serious injury or death.

IMPORTANT SAFETY NOTICE

There are special components used in this equipment which are important for safety. These parts are marked by  in the Schematic Diagrams, Exploded Views and Replacement Part List. It is essential that these critical parts are replaced with manufacturer's specified parts to prevent shock, fire or other hazards. Do not modify the original design without permission the manufacturer. We suggest to handles such parts after the static electricity prevention. It is forbidden to touch the PCB parts by bare hands during the repairing process.

CONTENTS	PAGE
1.Specifications -----	1
2.Parts Identification-----	2~4
3.Wiring Diagram-----	5
4.Parts List-----	6,7

1. Specifications

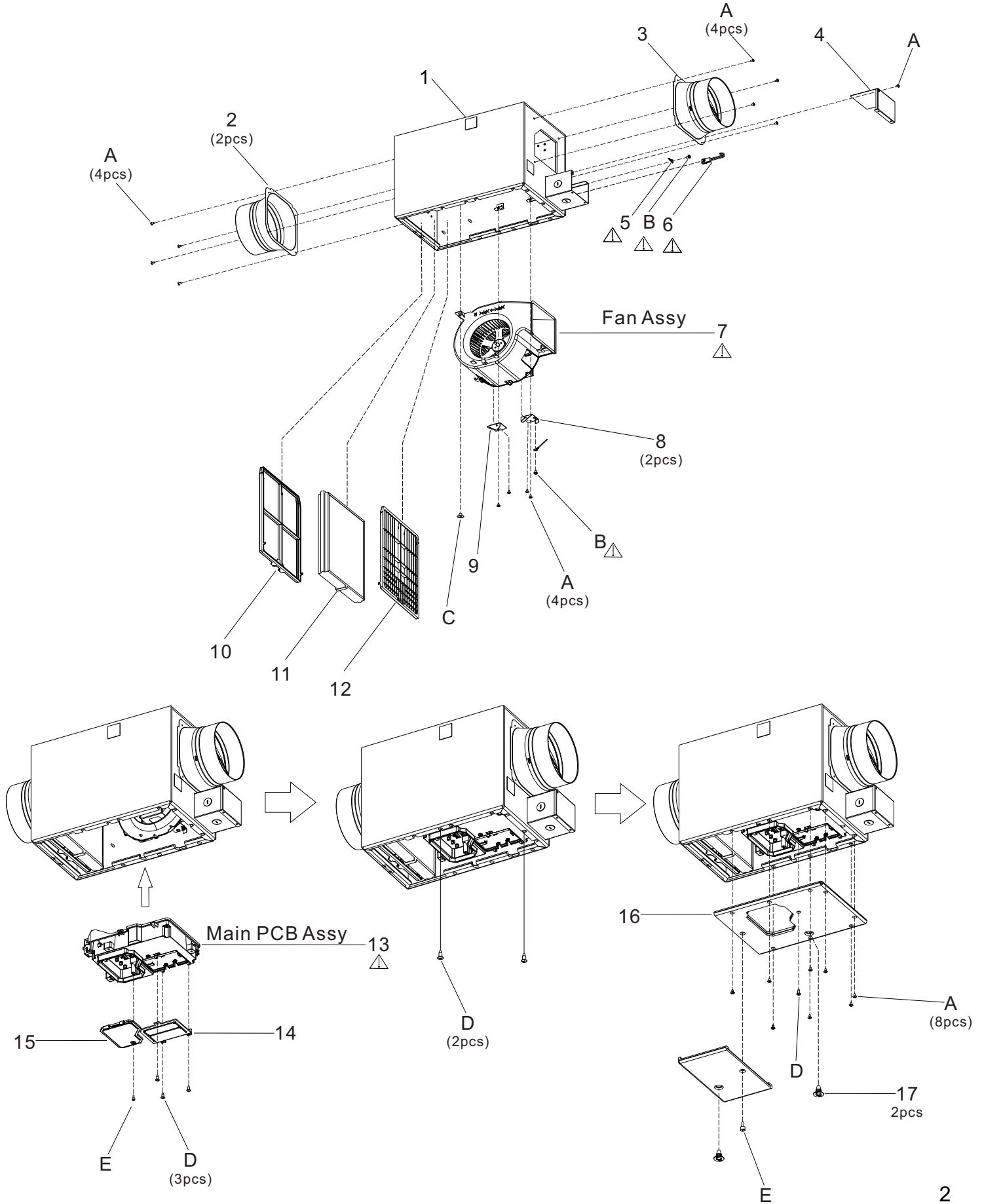
Air direction	Voltage (V)	Frequency (Hz)	Duct (inch)	Static pressure	Air volume (CFM)	Power consumption (W)	Speed (rpm)	Weight lb(kg)
Supply	120	60	6	0.2"WG	50	8.2	989	13.4 (6.1)
					60	9.3	1012	
					70	10	1033	
					80	12.4	1067	
					90	13.5	1086	
					100	15.3	1121	
					110	16.7	1152	
					130	22.6	1235	
					150	27.3	1314	

Air volume performance based on HVI Procedures 916 and 920.

2. Parts Identification

FV-15NLFS1H

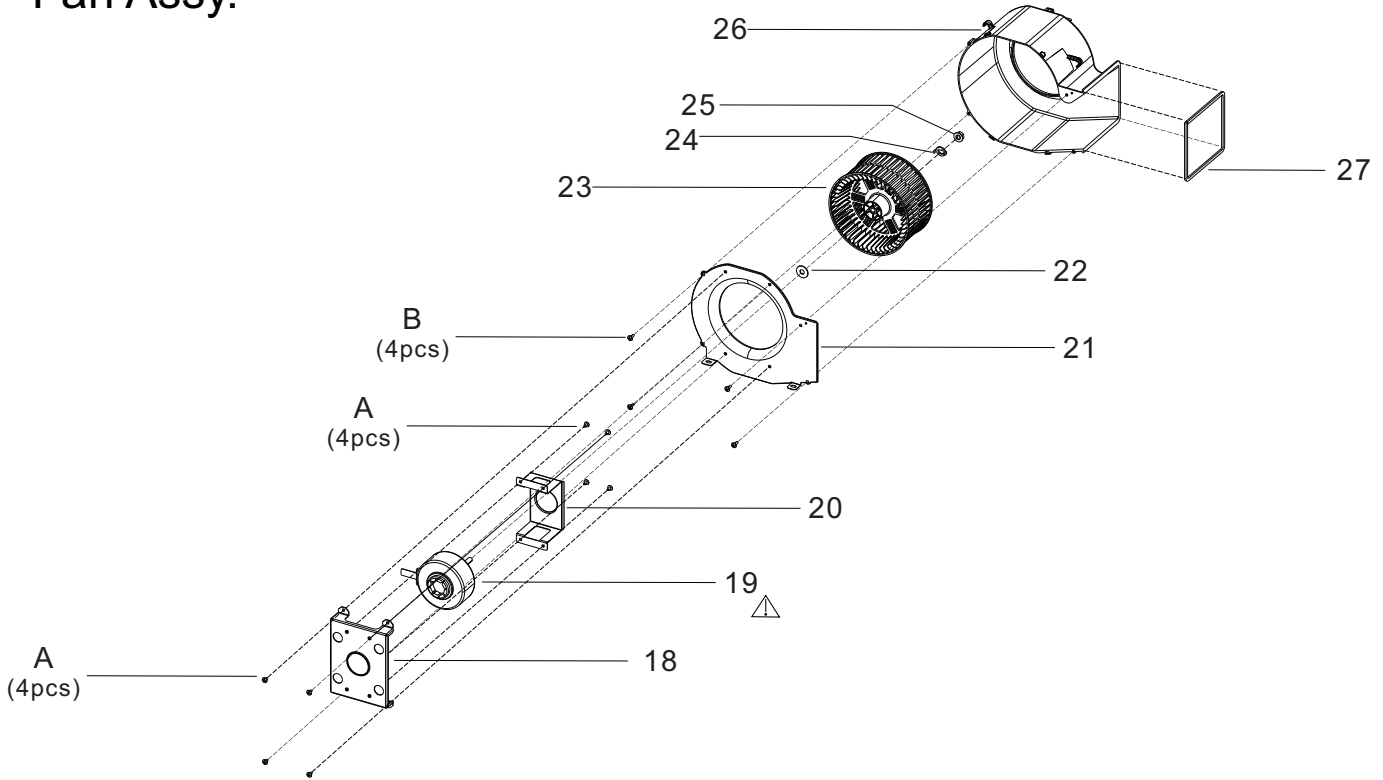
Main Body



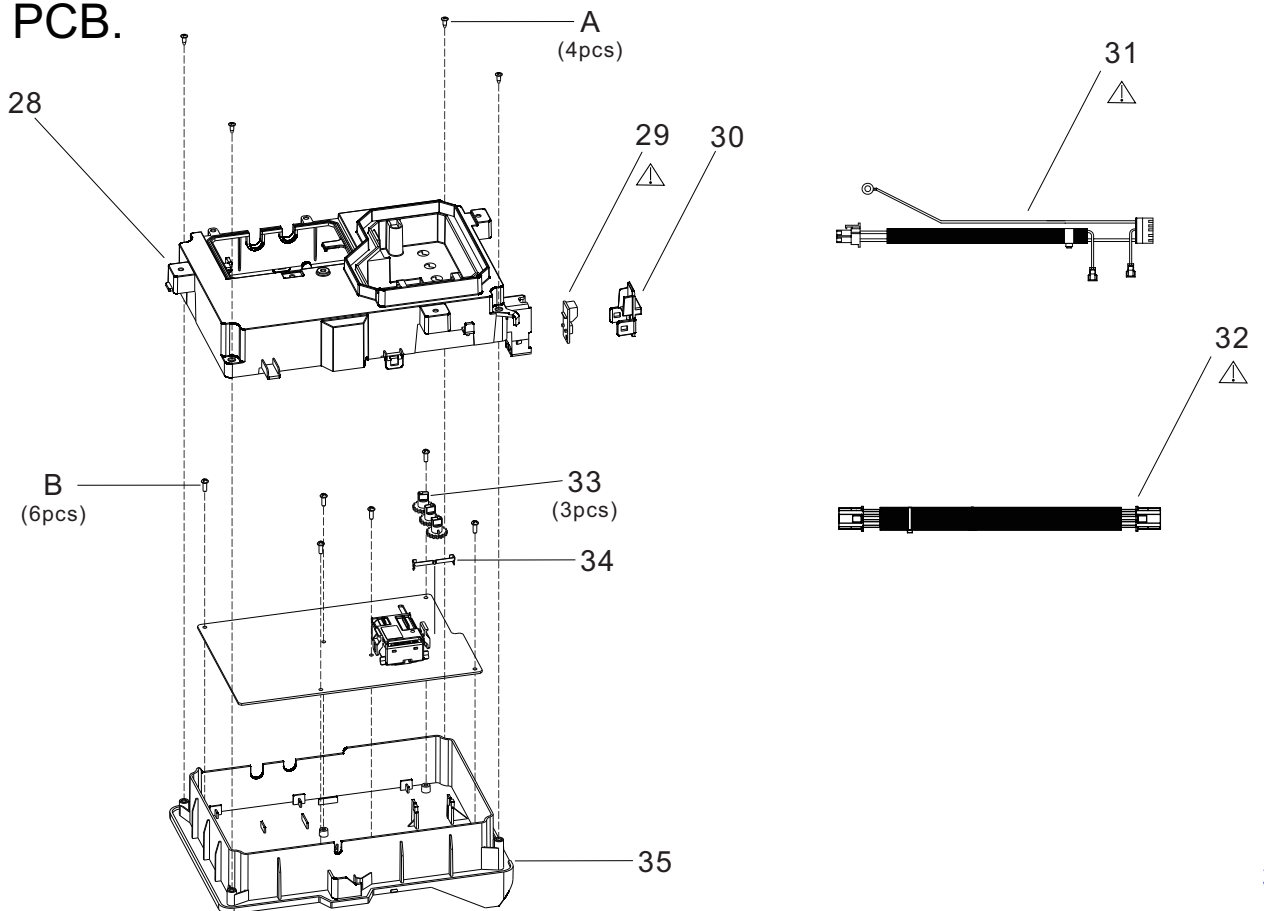
2. Parts Identification

FV-15NLFS1H

Fan Assy.



Main PCB.



2. Parts Identification

FV-15NLFS1H

MAIN LABEL

FILTER CLEANING AND REPLACEMENT

CAUTION

To avoid injury or electric shock, turn off the main switch in control box to stop the fan before checking, cleaning or replacing filter. Please wear gloves to avoid pinching fingers during maintenance.

When cleaning or replacing filters, dust, insects, etc. attached on the filters may fall. Please pay attention to the projection of eyes and so on.

MAINTENANCE PROCEDURE

1. Open the control box cover by turning the hand screw counterclockwise.
2. Turn off main switch.
3. Open the maintenance board by turning the hand screw counterclockwise. (Fig. 1)
4. Pull out the pre-filter, clean it with water once in 3 months when filter indicator lights on with buzzer sound. (See installation instruction). (Fig. 2)
5. Pull out the primary filter, clean it with vacuum cleaner once in 3 months when filter indicator lights on with buzzer sound. (See installation instruction). (Fig. 3)
6. Reinstall the filters and close the maintenance board by turning the hand screw clockwise. Please make sure that the arrow direction on the primary filter is same as the "Air flow" mark on name plate. (Fig. 3)
7. Turn on the main switch and press the filter reset button. The filter indicator light and the buzzing sound will turn off. Close the control box cover and turn the hand screw clockwise. (Fig. 4)

NETTOYAGE ET REMPLACEMENT DES FILTRES





ATTENTION

Afin de réduire le risque de blessures ou de chocs électriques, coupez l'alimentation principale sur le boîtier de commande pour désactiver le ventilateur avant toute vérification, nettoyage ou remplacement des filtres. Portez des gants pour éviter de vous pincer les doigts durant la maintenance.

De la poussière, des insectes, etc., fixés aux filtres pourraient tomber lors de l'entretien ou du remplacement des filtres. Assurez-vous de vous protéger ainsi que vos yeux.

PROCÉDURE DE MAINTENANCE

1. Dévissez la vis à main sur le couvercle du boîtier de commande.
2. Coupez l'alimentation principale.
3. Dévissez la vis à main sur le panneau de maintenance. (Fig. 1)
4. Retirez le préfiltre et nettoyez-le à l'eau tous les 3 mois lorsque le voyant du filtre s'allume accompagné d'un signal sonore. Remplacez le tous les 6 mois lorsque le voyant du filtre s'allume accompagné d'un signal sonore. (Voir manuel d'installation). (Fig. 2)
5. Retirez le filtre primaire et nettoyez-le avec un aspirateur tous les 3 mois lorsque le voyant du filtre s'allume accompagné d'un signal sonore. Assurez-vous que la direction de la flèche sur le filtre primaire soit la même que sur le repère "Débit d'air" sur la plaque signalétique. (Fig. 3)
6. Réinstallez les filtres et vissez la vis à main sur le panneau de maintenance.
7. Rétablissez l'alimentation principale, appuyez sur le bouton de réinitialisation du filtre, puis le voyant du filtre et le signal sonore seront désactivés. Vissez la vis à main sur le couvercle du boîtier de commande. (Fig. 4)

SW Label

Filter Reset Button (Bouton de réinitialisation du filtre)



CFM (pi³/min)

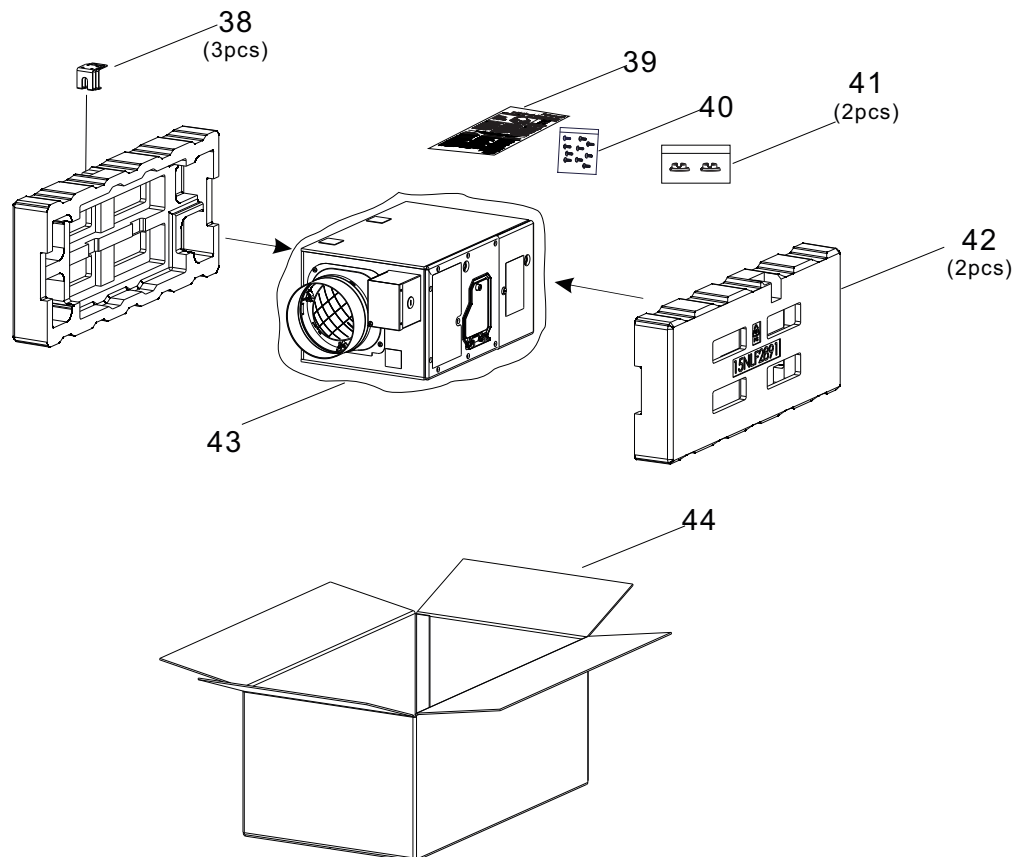
% RH (% H.R.)

°F (°F)

36

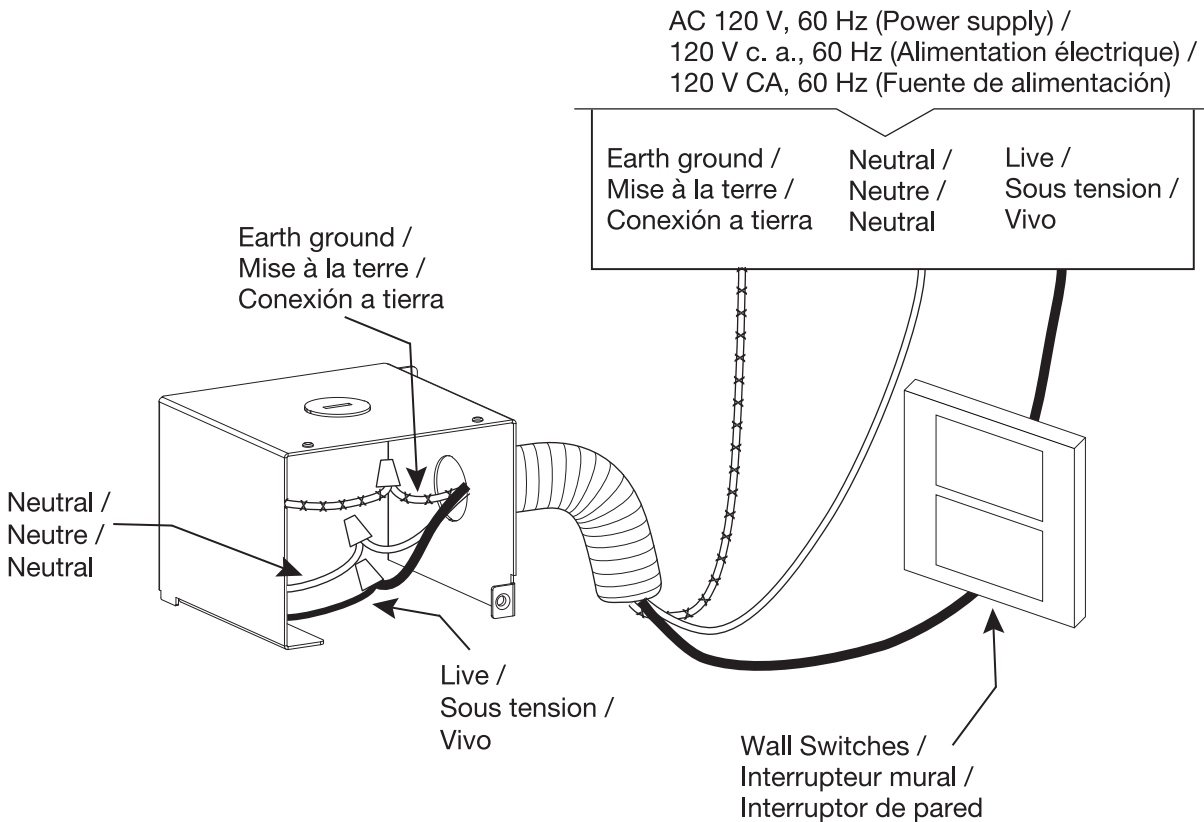
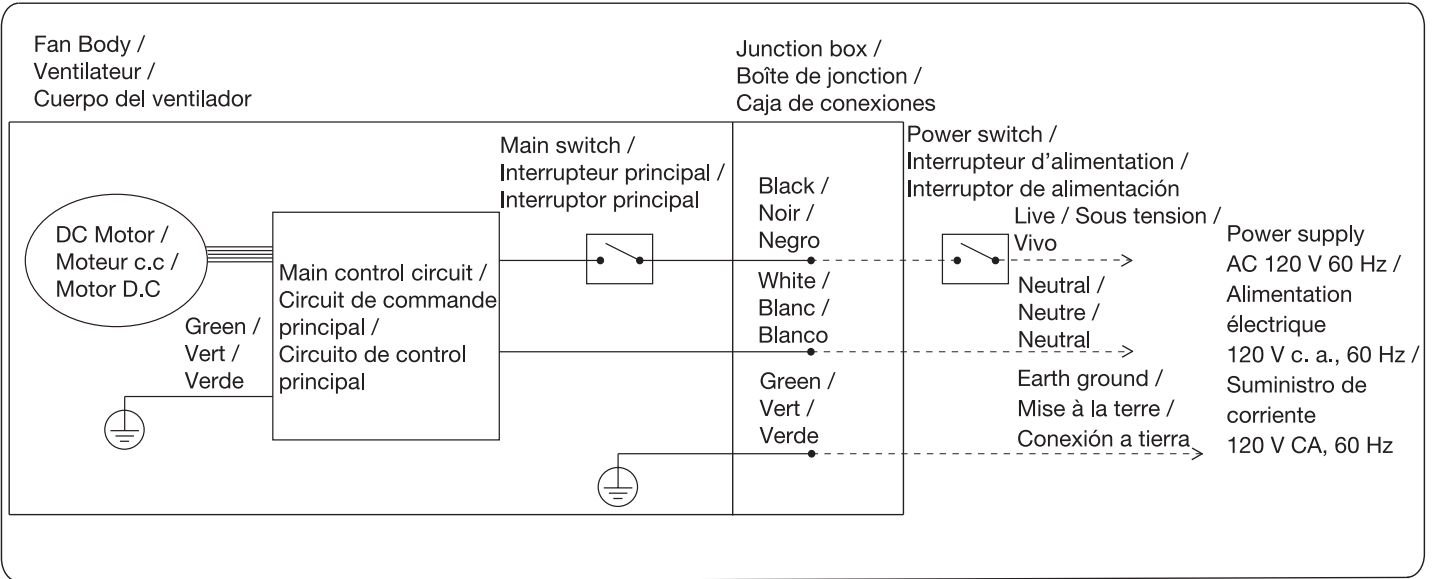
37

Packing Case



3. Wiring diagram





FV-15NLFS1H



4. Parts List

FFV-15NLF S1H


Main Body

No.	Part No.	Part Name	Q'ty	Remark
1	FFV15NLF290	Frame Assy	1	
2	FFV15NLF904	Inlet Adapter	1	
3	FFV15NLF903	Discharge Adapter	1	
4	FFV06VE1912	Junction Cover	1	
5	FFV3450010S	Earth Lead wire	1	
6	FFV15NLF301	Connector Assy	1	
7	FFV15NLFS1	Fan Assy	1	
8	FFV15NLF915	Eath Plate	1	
9	FFV15NLF914	L Plate	1	
10	FFV15NLF195	Pre Filter Assy	1	
11	FFVFL131595	MERV13 Filter	1	
12	FFV15NLF918	Fan Guard	1	
13	FFV15NLFS1H	Main PCB Assy	1	
14	FFV15NLF103	PCB wiring Cover	1	
15	FFV15NLF134	WaterProof Cover	1	
16	FFV15NLF291	Motor Panel	1	
17	FFV4620133S	Pressure Plug	1	
A	FFV7000074S	Truss Tap Screw	20	
B	FFVXYM4DC8BN	Bind Screw W/Washer	2	
C	FFVXTT510CFJ	Truss Tap Screw	1	
D	FFVXTT412GFJ	Truss Tap Screw	6	
E	FFV00TMM0501	Tsumami	2	




4. Parts List

FV-15NLF51H

Fan Assy

No.	Part No.	Part Name	Q'ty	Remark
18	FFV3730129M	Motor Base	1	
19	FFV15NLF1M2	Motor Set	1	
20	FFV3730127M	Motor Holder Plate	1	
21	FFV10VC2943	Motor Holder	1	
22	FFV7010055S	Washer	1	
23	FFV10VC2948	Blade	1	
24	FFV10VC2R9	Fix Plate	1	
25	FFV7020022S	Nut	1	
26	FFVVC2M942	Casing	1	
27	FFV4710408M	Casing Packing	1	
A	FFV7000074S	Truss Tap Screw	8	
B	FFV7000089S	Truss Tap Screw	4	

Main PCB Assy

No.	Part No.	Part Name	Q'ty	Remark
28	FFV15NLF031	PCB Box Cover	1	
29	FFV0010222S	Wet Sensor	1	
30	FFV15NLF036	Sensor Cap	1	
31	FFV15NLF310	Power Lead Wire	1	
32	FFV15NLF203	Humidity Sensor Wire	1	
33	FFV13KML3M	Switch Know	3	
34	FFV13KML398	Switch Spring	1	
35	FFV15NLF032	Main PCB Box	1	
A	FFVXTT412GFJ	Truss Tap Screw	4	
B	FFVXTN268GFJ	Screw	6	

Packing Case

No.	Part No.	Part Name	Q'ty	Remark
36	FFV15NLF070	Maintenance Label	1	
37	FFV15NLF071	Switch Label	1	
38	FFV15NLF298	Hanger	3	
39	FFV15NLF420	Installation Inst (EFS)	1	
40	FFV15NLF430	Accessory Set	1	
41	FFV15NLF891	Foam Pad	1	
42	FFVWC10V14	Poly Cover W/Print	1	
43	FFV15NLF400	Packing Case	1	