



# Model FP23EZ1 Couplings



### Application

Zurn Model FP23EZ1 couplings join together grooved pipe, fittings, valves, and accessories.

### Materials

Casting            ASTM A536 65-45-12 Ductile Iron  
Gasket             EPDM, Pre-lubricated, Pressure responsive  
Bolts & Nuts    Grade 5

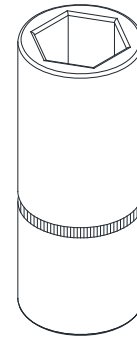
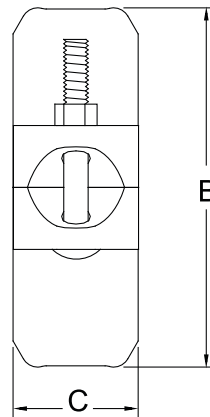
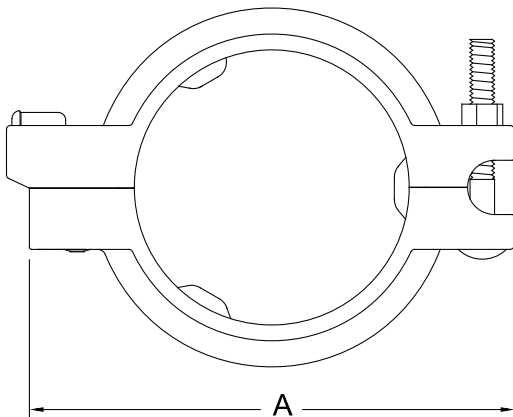
### Standards Compliance

- UL<sup>®</sup> Listed
- C-UL<sup>®</sup> Listed
- FM<sup>®</sup> Approved

### Features

Maximum Pressure: 300 PSI\*

\*(Please reference UL or FM listings for applications exceeding 300 PSI)



**Note:** Deep Socket required for installation

### Dimensions & Weights (do not include pkg.)

SIZE in.	MODEL	DIMENSIONS (approximate)				Weight lb.	Deep Socket Size in.
		A in.	B in.	C in.			
1 1/4	114-FP23EZ1	4.19	2.61	1.87	1.1	11/16	
1 1/2	112-FP23EZ1	4.45	2.84	1.87	1.2		
2	2-FP23EZ1	5.00	3.15	1.89	1.4		
2 1/2	212-FP23EZ1	5.48	3.83	1.89	1.6	7/8	
3	3-FP23EZ1	6.57	4.46	1.89	2.0		
4	4-FP23EZ1	7.64	5.51	1.97	2.9		
6	6-FP23EZ1	10.1	8.03	2.0	4.9		