

Anthem+™ | K-27756

System controller module

Features

- Provides power to the digital control and manages other connected system devices
- Integrated web pages for system set up and configuration using a computer or mobile device connected via router or home network
- Automatically checks for software updates (with internet access)
- Two ports for connecting digital valve(s)
- Four ports for system component connections; four ports for Anthem+ digital control connections
- One Ethernet port for hardwire connection to home network, or connect via built-in Wi-Fi
- Features BLUETOOTH® wireless technology for pairing with optional remote on/off button (sold separately)
- Use with the KOHLER Konnect® app to unlock additional Anthem system features, Kohler-developed experiences, and system updates
- Provides connection to the KOHLER® Cloud via Wi-Fi
- One jack for power cord connection
- Provides connections for all system components, including steam



Available Colors/Finishes

Color tiles intended for reference only.

^{NA} NA Not Applicable



Codes/Standards

CSA C22.2 No. 14
CSA C22.2 No. 68
cUL Listed

Technical Information

All product dimensions are nominal.

Lighting Included: Yes

Material

- Reinforced engineering-grade thermoplastic casing
-

Connectivity



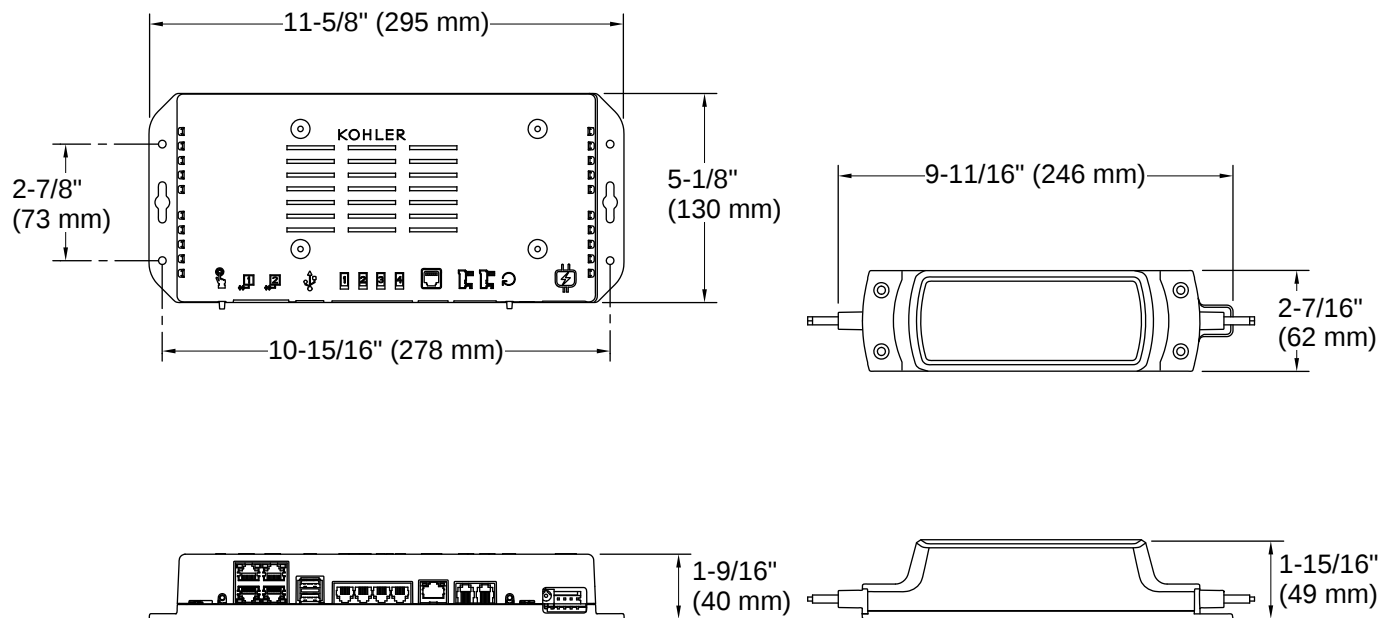
The BLUETOOTH® word mark and logos are registered trademarks owned by Bluetooth SIG, Inc. and any use of such marks by Kohler Co. is under license.

Warranty

See website for detailed warranty information.

KOHLER® Electronic Faucets, Valves, and Controls Five-Year Limited Warranty





Installation

- Equipped with mounting wings for wall mounting (fittings included)
- Requires Anthem+ digital control and Anthem digital thermostatic valves (each sold separately)

Installation Notes

Install this product according to the installation instructions.

