

# RT18DG6700SR

SAMSUNG

## 18 cu. ft. Top Freezer Refrigerator with Ice Maker in Stainless Steel



### Signature Features

#### All-Around Cooling

- Multi-vent technology keeps items evenly cooled on every shelf.

#### Garage-Ready

- Designed to withstand wide fluctuations in external temperatures from 38°F to 110°F, ideal for a garage environment.

#### Automatic Ice Maker

- The automatic ice maker produces ice quickly and efficiently, ensuring that there's always a steady supply.

\* External filter not included.

### Available Color



Fingerprint Resistant  
Stainless Steel



All-Around Cooling



Garage-Ready

### Features

- AI Energy Mode
- All Around Cooling
- Garage-Ready
- Wi-Fi Enabled
- ENERGY STAR® Compliant
- True No-Frost Technology
- Auto Ice Maker
- LED Top Lighting
- Vegetable Bins
- Dairy Bin

### Convenience

- Reversible Door
- Recessed Door Handle
- Sabbath Mode

### Rating



ENERGY STAR®-rated:  
446 kWh/yr



ADA Compliant

# RT18DG6700SR

# SAMSUNG

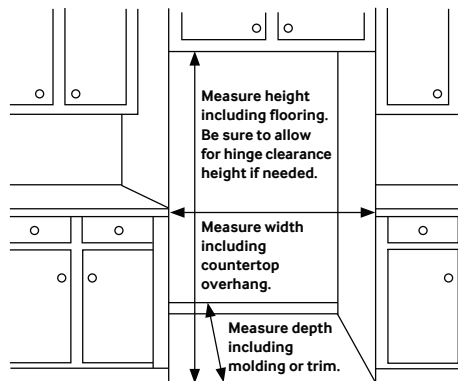
## 18 cu. ft. Top Freezer Refrigerator with Ice Maker in Stainless Steel

### Installation Specifications

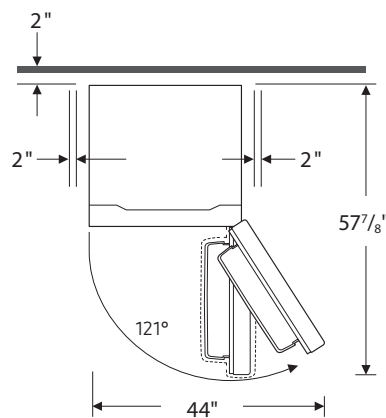
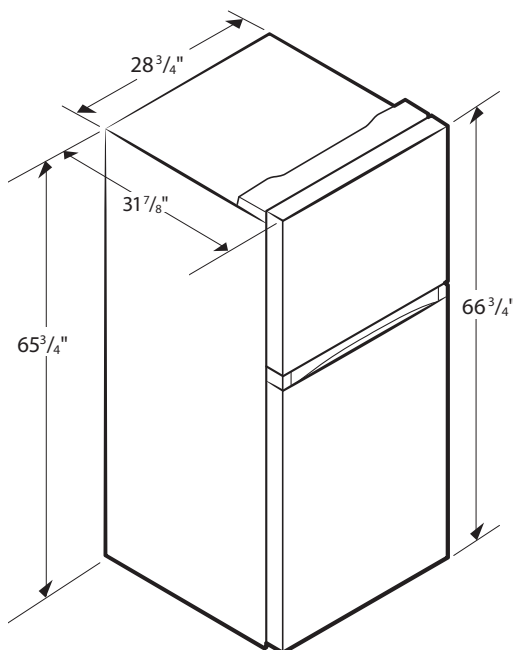
1. Measure the height, width and depth of the opening, making sure to include baseboards, molding tile, countertop overhang, etc. Check to be sure there is enough room to open the door (consider walls, islands or other obstacles when measuring).
2. Refer to illustration below to determine dimensions.
3. Allow 2.5" of clearance on hinge side of refrigerator when installing next to a wall where handle may make contact.
4. Allow 2" minimum clearance at rear for proper air circulation and water/electrical connections. Allow a 3/8" minimum clearance at sides and top for ease of installation.
5. Ensure each door and entryway in the home is wide enough for the refrigerator to be moved through easily.

For optimal usage and to be able to open refrigerator doors completely, do not install next to a wall.

Please note: The following dimension and cutout information is for planning purposes only. For complete installation details, consult manual packed with product, or download manual online at [samsung.com](http://samsung.com).



### Dimensions



NOTE: Please allow  $3\frac{3}{4}"$  of clearance when installing along a wall.

**Total Capacity: 17.5 cu. ft.**

**Refrigerator: 12.9 cu. ft.**

- Dairy Bin
- 2 Vegetable Bins
- LED Top Lighting

**Freezer: 4.6 cu. ft.**

- 1 Glass Shelf

### Warranty

One (1) Year Parts and Labor on Refrigerator  
Five (5) Years Parts and Labor on Sealed Refrigeration System Only\*  
Ten (10) Years Parts and Five (5) Years Labor on Digital Inverter Compressor

\*Compressor, evaporator, condenser, drier and connecting tubing.

### Product Dimensions & Weight

Dimensions (WxHxD with hinges, handles and doors):  
 $28\frac{3}{4}" \times 66\frac{3}{4}" \times 31\frac{7}{8}"$

Dimensions (WxHxD without hinges and doors):  
 $28\frac{3}{4}" \times 65\frac{3}{4}" \times 28\frac{1}{2}"$

Weight: 169.7 lbs.

### Shipping Dimensions & Weight (WxHxD)

Dimensions:  $30\frac{1}{8}" \times 70\frac{5}{8}" \times 33\frac{1}{2}"$

Weight: 185.1 lbs.

### Color

Fingerprint Resistant  
Stainless Steel

### Model #

RT18DG6700SR

### UPC Code

887276835945