



41-542 Series Auto Trip Bath Drains (Schedule 40-Less Tubing)

Features:

- Patented adjustable self-retaining rubber head gasket
- Cast brass shoe plug
- Positive seal with long lasting cam mechanism
- Partially assembled in carton
- Compartmentalized packaging
- Available in Chrome only

Technical Specifications:

- CSA B125-93

Catalog Numbers:

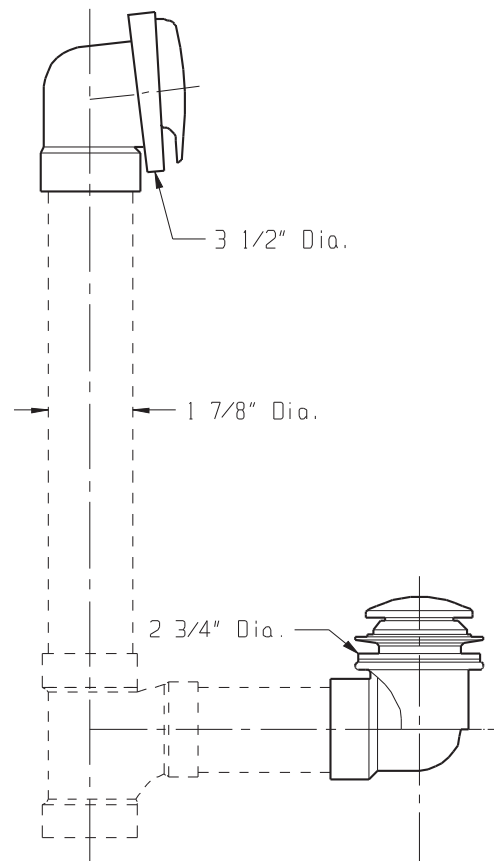
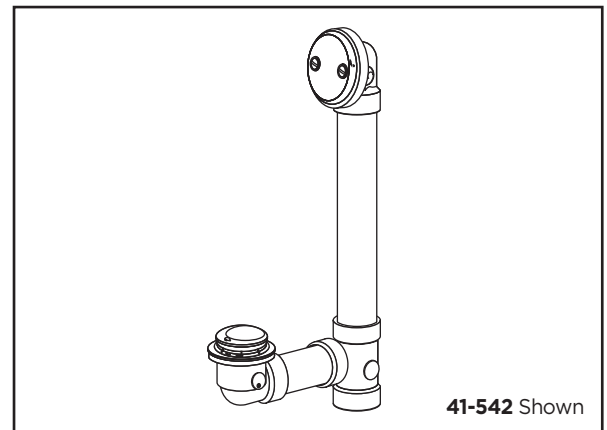
41-542 PVC (Chrome)

Prefixes Available:

None

Suffixes Available:

None



| | |
|--------------------|--|
| Job Name | |
| Date | |
| Model Specified | |
| Quantity | |
| Customer | |
| Contractor | |
| Architect/engineer | |

Gerber Toll Free Technical Support: 888-648-6466
www.gerberonline.com