



**Dearborn®
Brass**

4675 W. 160th St.
Cleveland, Ohio 44135
Ph: (800) 321-9532
Fax: (800) 321-9535
www.dearbornbrass.com

SUBMITTAL SPECIFICATION

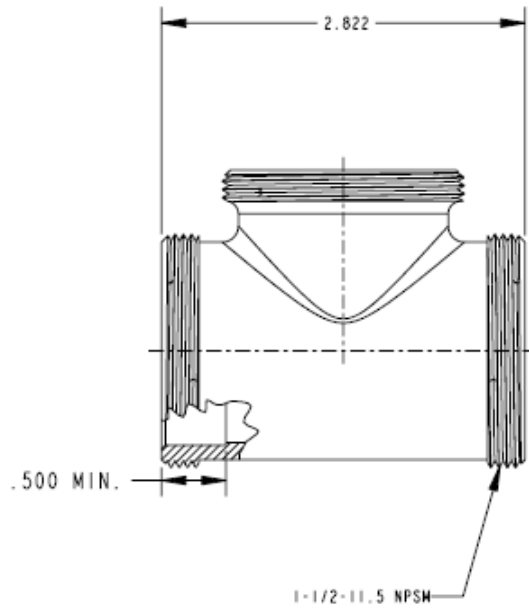
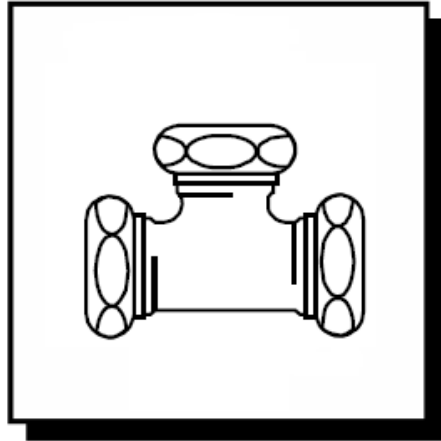
**BRASS TUBULAR
1-½" SLIP JOINT TEE**

Engineering Specification: Dearborn Brass 1-½" Brass Tubular Slip Joint Tees are designed for use in tubular drain applications.

Job Reference

DESCRIPTION

- Chrome Finish
- 20 Gauge Brass
- Slip Joint Tee
 - 3-Way Tee
 - (3) Zinc Nuts
 - (3) Rubber Washers



✓	Product No.	Description	Carton Quantity	Carton Weight (lbs)
	8481	1-½" Slip Joint Tee – 20 Gauge, Chrome	5	4

Data is subject to manufacturing tolerances.