



SYMMONS® Dia®



3592BTRM

Location:

Tub/Shower Trim

Specification Submittal

Model Numbers

- 3592BTRM**
Tub/Shower System Trim

Valve Options:

- 262 Series Temptrol Shower Valve with TRM modifier.
- 162 Series Temptrol Shower Valve requires TC modifier.

Feature Highlights

- Dia Tub/Shower trim
- Requires temptrol balancing shower valve
- Requires the Temptrol® Pressure Balancing valve.
- Features adjustable stop screw to limit handle turn.
- Diverter slip-on tub spout.
- 7 mode with NPSO showerhead.
- Standard 2.0 gpm (7.6 L/min) flow restrictor.
- Components made from metal and nonmetal materials plated in standard polished chrome finish.

Compliance

- ASME A112.18.1/CSA B125.1
- WaterSense 1.5 gpm (5.7 L/min) 1.75 gpm (6.6 gpm) 2.0 gpm (7.6 L/min)
- Lever handle meets ADA requirements for operation



Modifications

- 15** 1.5 gpm (5.7 L/min) flow restrictor
- 175** 1.75 gpm (6.6 L/min) flow rate restrictor
- Delete Suffix B** Chrome plastic escutcheon on valve with color graphics/indicators in place of standard brass escutcheon
- L1** Less showerhead
- L4** Less head, arm and flange
- L7** Less handle
- TC** Test Cap Trim (includes TA-10&T-12A) used with 162 Series Temptrol Valve
- STN** Satin Nickel finish
- MB** Matte Black finish
- BBZ** Brushed Black Bronze
- 1L** 1" Spindle Extension

Warranty

Limited Lifetime - to the original end purchaser in consumer/residential installations.

10 Years - for commercial/industrial installations. Refer to www.symmons.com/warranty for complete warranty information.



SKU Builder

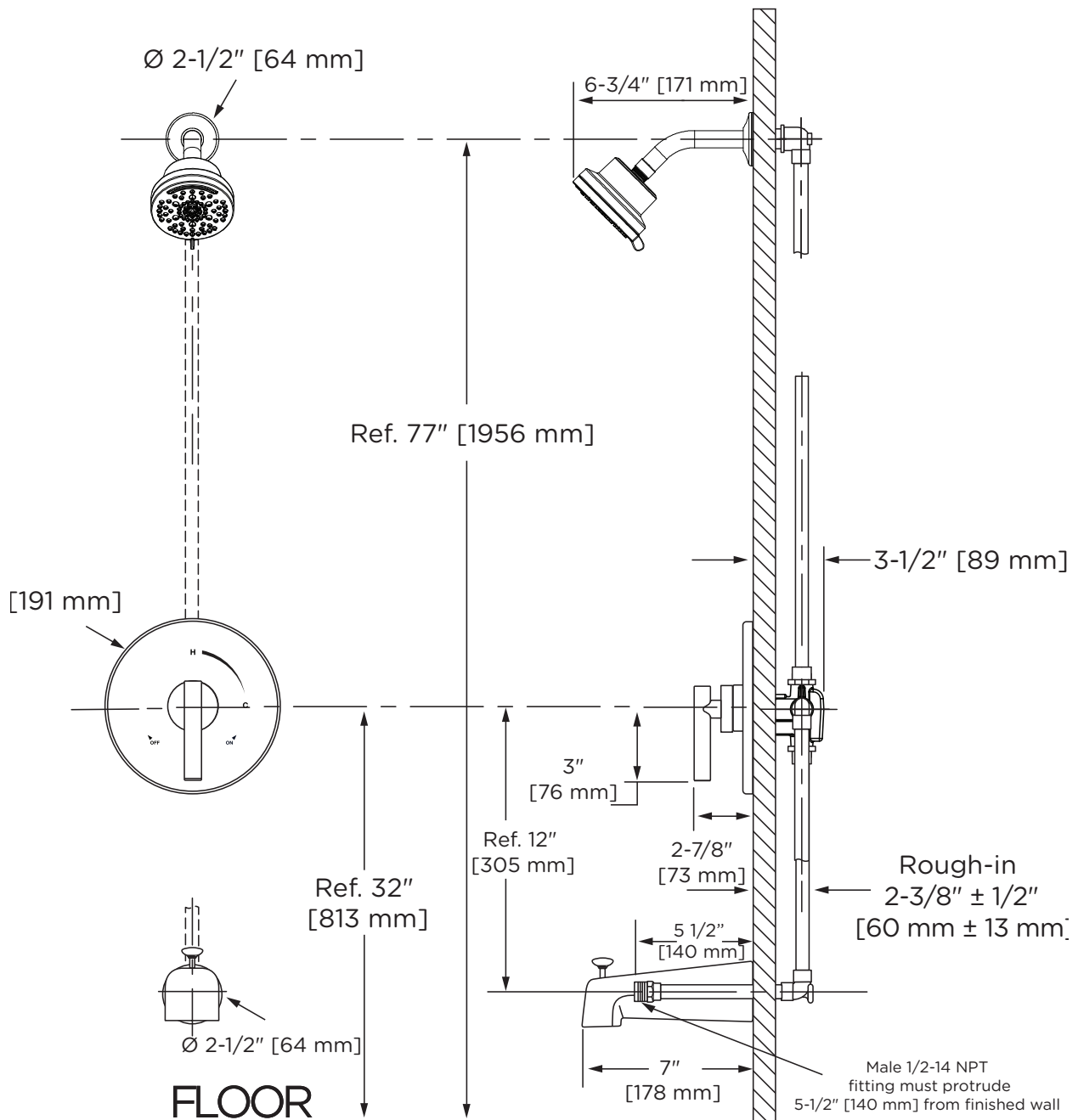
Series	Finish	Modifier	Flow Rate	Trim (required)	Test Cap	1L	Final SKU
3592B	MB	L1		TRM	TC		3592BMBL1TRMTC
3592	BBZ	L7		TRM		1L	3592BBZL7TRM1L

Note: No more than two modifiers (L1-L7) and modifier order will follow numerical order.

Architectural/Engineering Specification

Symmons Dia Tub and Shower System _____ Includes Dia Shower Trim powered by the Temptrol® Pressure Balancing Valve. Features adjustable stop screw to limit handle turn, diverter slip-on tub spout, 7 mode with NPSO showerhead, and standard 2.0 gpm (7.6 L/min) flow restrictor. Components made from metal and nonmetal materials plated in standard polished chrome finish. 10 Year Commercial Warranty. ASME A112.18.1/CSA B125.1 and WaterSense 1.5/1.75/2.0 complaint. Lever handle meets ADA requirements for operation. Available options: "15 - 1.5 gpm (5.7 L/min) flow restrictor", "175 - 1.75 gpm(6.6 L/min) flow rate restrictor", "Delete Suffix B - Chrome plastic escutcheon", "L1 - Less showerhead", "L4 - Less head, arm and flange", "L7 - Less handle", "TC - Test Cap Trim", "STN - Satin Nickel finish", "MB - Matte Black finish", "BBZ - Brushed Bronze finish", and "1L - 1 inch spindle extension".

Dimensions



Notes:

- 1) Valve body and piping not included and shown as reference only.
- 2) Plaster shield (p/n T-176) from dry wall, plaster or other type walls 1/2" or greater.
- 3) All dimensions measured from nominal rough-in.
- 4) Dimensions are subject to change without notice.