

482W7
4" 7-Mode Round Hand Shower Wand
Specification Submittal

Location:

Model Numbers

482W7 4" 7-Mode Round Wand

Compliance

- ASME® A112.18.1/CSA B125.1
- WaterSense® 2.0 gpm (7.6 L/min)
- Meets ADA requirements for operation



Feature Highlights

- 4" round hand shower wand.
- 7 modes including: Full, Massage, Dual, Center, Waterfall, Spa, and Non-Positive Shutoff (NPSO).
- Rubber nozzles.
- 2.0 gpm (7.6 L/min) standard flow rate.
- Standard Polished Chrome finish.

Warranty

Limited Lifetime - to the original end purchaser in consumer/residential installations.

10 Years - for commercial/industrial installations. Refer to www.symmons.com/warranty for complete warranty information.



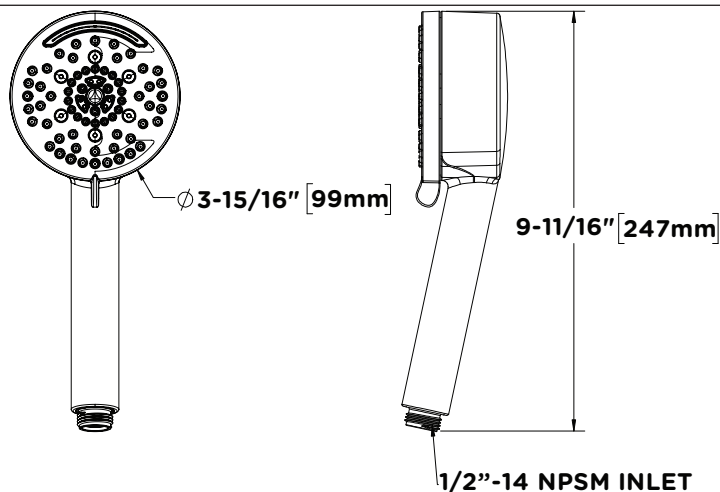
Options/Modifications

- STN** Satin Nickel finish
- MB** Matte Black finish
- BBZ** Brushed Bronze finish
- 15** 1.5 gpm (5.7 L/min) flow restrictor

Architectural/ Engineering Specification

Symmons _____ 4" 7-mode round hand shower wand. 7 modes including: Full, Massage, Dual, Center, Waterfall, Spa, and Non-Positive Shutoff (NPSO). Includes 4" round hand shower wand, rubber nozzles, 2.0 gpm (7.6 L/min) standard flow rate, and standard Polished Chrome finish. 10-Year Commercial Warranty. ASME A112.18.1/CSA B125.1 and WaterSense 2.0 gpm (7.6 L/min) compliant. Meets ADA requirements for operation. Options include: STN = Satin Nickel finish, MB = Matte Black finish, BBZ = Brushed Bronze finish, and 15 = 1.5 gpm (5.7 L/min) flow restrictor.

Dimensions



⚠ WARNING: This product can expose you to chemicals including lead, which is known to the state of California to cause cancer, birth defects, or other reproductive harm. For more information, go to www.P65Warnings.ca.gov.