

PFD95GSPWGN/PFD95GSPWDS

GE Profile™ 7.8 cu. ft. Capacity Smart Front Load Gas Dryer with Steam and Sanitize Cycle

DIMENSIONS AND INSTALLATION INFORMATION (IN INCHES)

| GAS DRYER RATING | |
|------------------|----------|
| 120V | 60Hz, 8A |

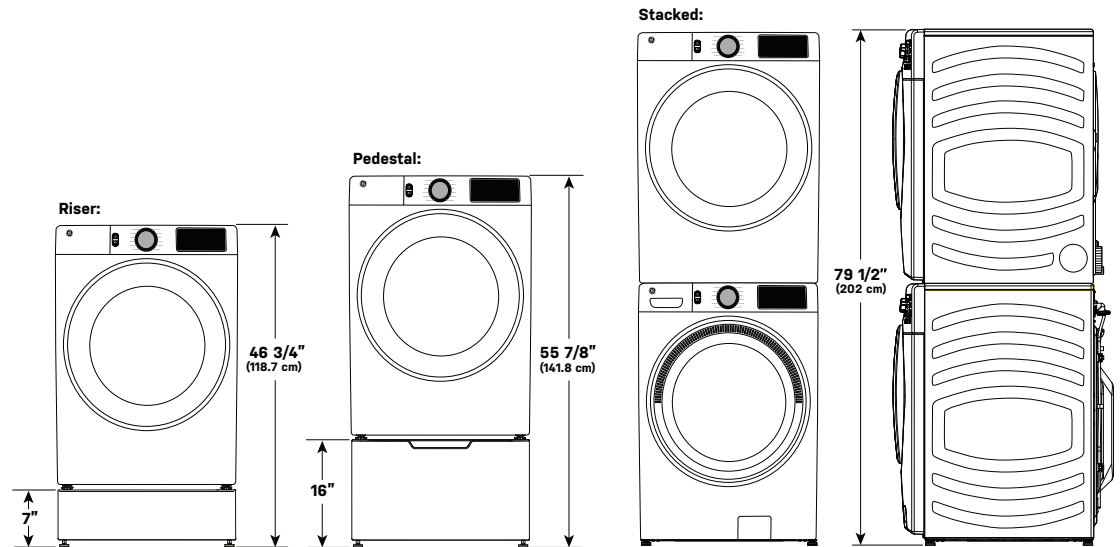
EXHAUST OPTIONS: 4-way via rear, left, right and bottom.
(The right, left and bottom venting options require Side Vent Kit: GFA28DSVN)

CIRCUIT REQUIREMENTS: An individual, properly grounded branch circuit, protected by a 30-amp circuit breaker or a time-delay fuse, is required.

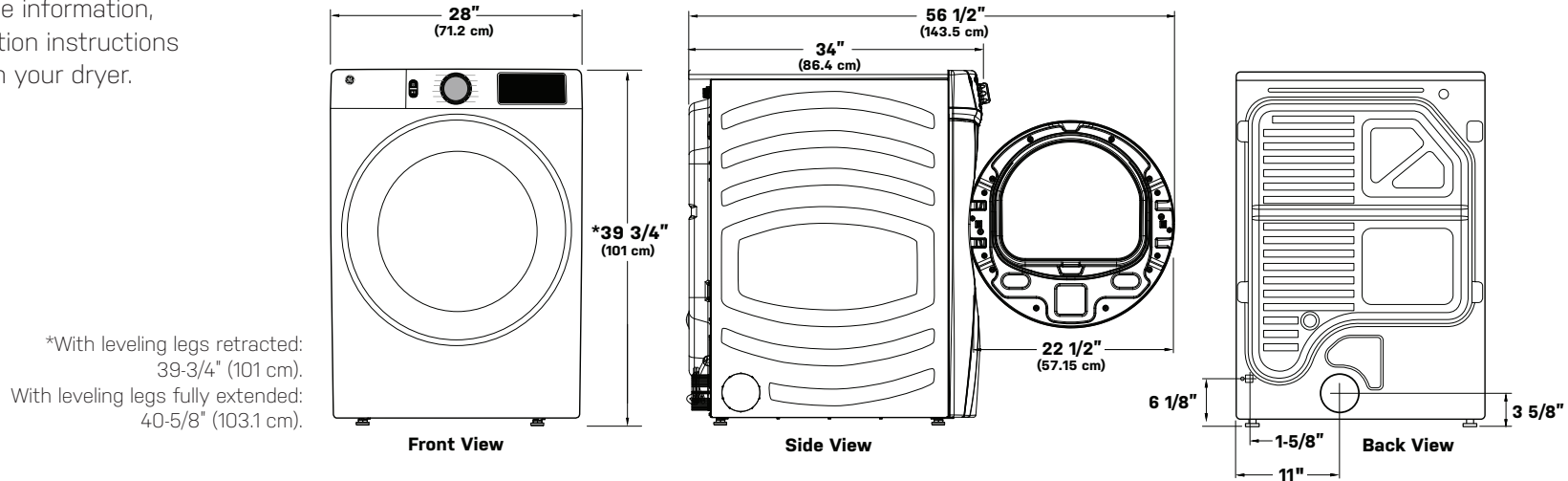
NOTE: Dryer wall outlet must be located within 36" of service cord entry and accessible when dryer is mounted in position.

INSTALLATION INFORMATION:

For complete information, see installation instructions packed with your dryer.



ADA-Compliant



*With leveling legs retracted:
39-3/4" (101 cm).
With leveling legs fully extended:
40-5/8" (103.1 cm).



For answers to your Monogram, Café™, GE Profile™ or GE Appliances product questions, visit our website at geappliances.com or call GE Answer Center® Service, 800.626.2000.



Product Specification Created 6/24

PFD95GSPWGN/PFD95GSPWDS

GE Profile™ 7.8 cu. ft. Capacity Smart Front Load Gas Dryer with Steam and Sanitize Cycle

SPECIAL INSTALLATION REQUIREMENTS:

STACKED INSTALLATION:

Brackets for stacking dryer over washer are not included with the dryer. Order part no. GFA28KITN.

ALCOVE OR CLOSET INSTALLATION:

- If your dryer is approved for installation in an alcove or closet, it will be stated on a label on the dryer back.
- The dryer MUST be exhausted to the outside.
- Minimum clearances between dryer cabinet and adjacent walls or other surfaces are: 0" all sides and top.*
- Closet doors must be louvered or otherwise ventilated and must contain a minimum of 60 sq. in. of open area equally distributed. If this closet contains both a washer and a dryer, doors must contain a minimum of 120 sq. in. of open area equally distributed.
- No other fuel-burning appliance shall be installed in the same closet with a gas dryer.

BATHROOM OR BEDROOM INSTALLATION:

- The dryer MUST be exhausted to the outside.
- The installation must conform with the local codes, or in the absence of local codes, with the National Electric Code and National Fuel Gas Code, ANSI Z223 for gas dryers.

MINIMUM CLEARANCE OTHER THAN ALCOVE OR CLOSET INSTALLATIONS:

Minimum clearances to combustible surfaces 0" all sides and top.*

FOR MORE INFORMATION ON VENTING KITS AND ACCESSORIES, PLEASE CALL 1-800-GE-CARES.

*For improved performance, a 1/2" clearance is suggested on each side.

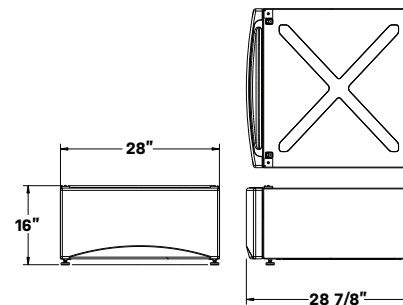
**Accessories sold separately.

DRYER ACCESSORIES**

| GE PART NUMBER | DESCRIPTION |
|----------------|--|
| WH97X38418 | Metallic Touch-up Paint (Jade Green) 0.6 oz. |
| WH97X38419 | Non-Metallic Touch-up Paint (Jade Green) 0.5 oz. pen |
| WR97X27706 | Touch-up Paint (Carbon Graphite) 0.6 oz. |
| WE02X29449 | Dryer Rack Assembly |
| GFA28DSVN | Side Vent Kit |
| WE25X20060 | Steam Kit |
| WX17X10001CA | Vibration Pads |
| GFP1528PWGN | Pedestal (Jade Green) |
| GFP1528PTDS | Pedestal (Carbon Graphite) |
| GFR0728PWGN | Riser (Jade Green) |
| GFR0728PTDS | Riser (Carbon Graphite) |
| GFA28KITN | Stacking Kit |

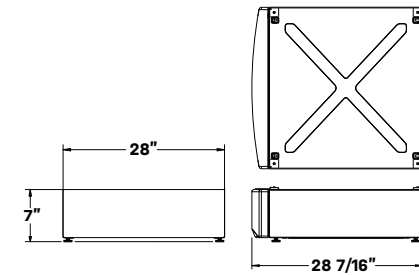
WARRANTY

| | |
|----------------|--|
| Labor Warranty | Limited 1-year entire appliance |
| Parts Warranty | Limited 1-year entire appliance Limited 10-year motor |



PEDESTAL DIMENSIONS (IN INCHES)

The optional 16" pedestal raises the door opening and height of the washer or dryer.



RISER DIMENSIONS (IN INCHES)

The optional 7" riser raises the door opening and height of the washer or dryer while remaining ADA-compliant.



For answers to your Monogram, Café™, GE Profile™ or GE Appliances product questions, visit our website at geappliances.com or call GE Answer Center® Service, 800.626.2000.



PFD95GSPWGN/PFD95GSPWDS

GE Profile™ 7.8 cu. ft. Capacity Smart Front Load Gas Dryer with Steam and Sanitize Cycle

DRYER EXHAUSTING INFORMATION – METAL DUCT ONLY

For complete information, see installation instructions packed with your dryer.

DUCTING MATERIALS: For best performance, this dryer should be vented with 4" diameter all-rigid metal exhaust duct. If rigid-metal duct cannot be used, then UL-listed flexible metal (semi-rigid) ducting can be used (Kit PM08X10084 or PM08X10085). In special installations, it may be necessary to connect the dryer to the house vent using a flexible metal (foil-type) duct. A UL-listed flexible metal (foil-type) duct may be used ONLY in installations where rigid metal or flexible metal (semi-rigid) ducting cannot be used AND where a 4" diameter can be maintained throughout the entire length of the transition duct. Please see installation instructions packed with your dryer for complete instructions when using flexible metal (foil type) ducting.

EXHAUST LENGTH CALCULATION:

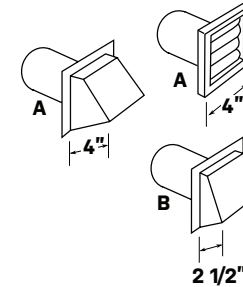
- Determine the number of 90° turns needed for your installation. If you exhaust to the side or bottom of dryer, add one turn.
- The maximum length of 4" rigid (aluminum or galvanized) duct which can be tolerated is shown in the table.
A turn of 45° or less may be ignored. Two 45° turns within the duct length should be treated as a 90° elbow.
A turn over 45° should be treated as a 90° elbow.

Dryers must be exhausted to the outside.

CAUTION: For personal safety, do not terminate exhaust into a chimney, under any enclosed house floor (crawl space), or into an attic, since the accumulated lint could create a fire hazard or moisture could cause damage. Never terminate the exhaust into a common duct or plenum with a kitchen exhaust, since the combination of lint and grease could create a fire hazard.

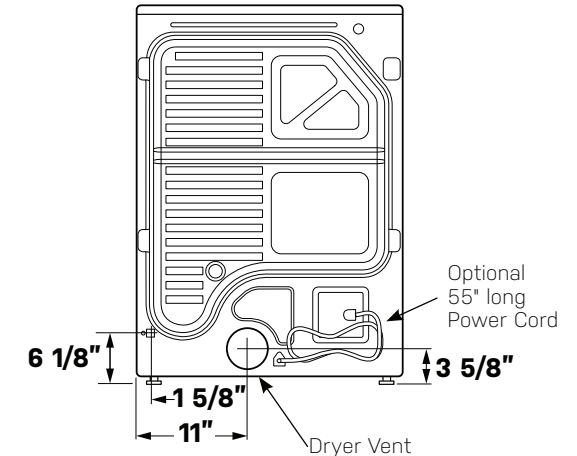
Exhaust ducts should be terminated in a dampered wall cap to prevent back drafts, bird nesting, etc. The wall cap must also be located at least 12" above the ground or any other obstruction with the opening pointed down.

FOR MORE INFORMATION ON VENTING KITS AND ACCESSORIES, PLEASE CALL 1-800-GE-CARES.



Domestic Dryer Models

| Best Performance | | |
|---|-----------------|---------------------|
| Maximum length of 4" dia. rigid-metal duct | | |
| Exhaust hood type | | |
| Number of 90° turns | A 4" opening | B 2 1/2" opening |
| 0 | 90 ft. | 60 ft. |
| 1 | 60 ft. | 45 ft. |
| 2 | 45 ft. | 35 ft. |
| 3 | 35 ft. | 25 ft. |
| 4 | 25 ft. | 15 ft. |



For answers to your Monogram, Café™, GE Profile™ or GE Appliances product questions, visit our website at geappliances.com or call GE Answer Center® Service, 800.626.2000.



Product Specification Created 6/24

PFD95GSPWGN/PFD95GSPWDS

GE Profile™ 7.8 cu. ft. Capacity Smart Front Load Gas Dryer with Steam and Sanitize Cycle

FEATURES AND BENEFITS

STEAM SANITIZE – Sterilize clothing with elevated temperatures designed to kill common household germs and bacteria, while using steam technology to reduce wrinkles and odors

WASHER LINK – Wirelessly link your washer to your dryer so you only have to choose a setting once

ADAPTIVE MySettings – Through AI Learning, the washer and dryer can personalize your cycle selections automatically

SMART FEATURES POWERED BY SMARTHQ™ – Start, stop and monitor your laundry from anywhere while receiving real-time notifications and updates

STAINLESS STEEL DRUM – Enjoy premium durability with a drum that resists rust and helps protect clothes

WRINKLE CARE – Prevents wrinkles by extending the tumble without heat

REDUCE STATIC – Prevent static cling with a gentle mist near the end of the cycle

QUICK DRY – This cycle quickly dries individual items and small loads, making it perfect for families on the go

DAMP ALERT – Signals when clothes reach the ideal dampness level for ironing or air drying

STEAM CYCLES – Refresh small loads and de-wrinkle larger loads with the power of steam

CHECK VENT NOTIFICATION – Receive a notification when the dryer vent needs to be cleaned, ensuring safe operation and optimal drying performance

CONVENIENT 4-WAY VENTING – Flexible venting options allow venting from the front, rear or either side

ENERGY STAR®-QUALIFIED – Meets or exceeds federal guidelines for energy efficiency

MODEL PFD95GSPWGN – Jade Green

MODEL PFD95GSPWDS – Carbon Graphite



4-Way Venting Option



For answers to your Monogram, Café™, GE Profile™ or GE Appliances product questions, visit our website at geappliances.com or call GE Answer Center® Service, 800.626.2000.



Product Specification Created 6/24