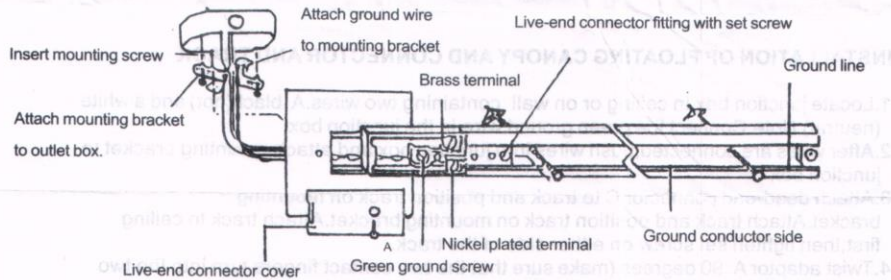


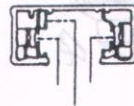
INSTALLATION OF LIVE END CONNECTOR AND COVER AND TRACK



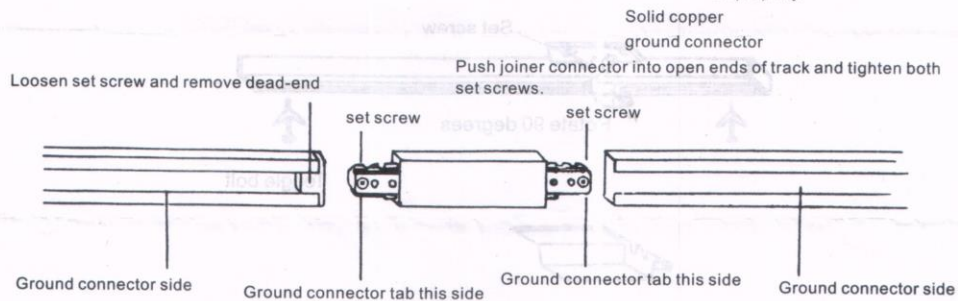
CAUTION: Turn off main power source before installing any track or components.

1. Remove dead-end fitting from track and discard.
2. Loosen screw above live end contact. Align live-end connector brass contact with polarized rib on track. Slide track section onto live-end connector with metal plate position in groove of track. Tighten screw.
3. Mark position of track mounting holes on ceiling or wall. Drill holes and attach track with toggle bolts or screws. Do not tighten track to surface.
4. Insert mounting screw in crossbar mounting bracket.
5. Attach crossbar mounting bracket to outlet box.
6. Loosen screw on live-end connector and remove cover.
7. Attach black outlet box wire to live-end brass terminal screw. Attach white outlet box wire to live-end sliver terminal screw. Attach live-end connector green wire to copper outlet box wire. If outlet box does not have copper ground wire, attach the live-end connector ground wire to crossbar mounting bracket with ground screw provided.
8. Slide outlet box cover between the live-end connector and the outlet box. Align mounting screw with hole in outlet box cover and secure with nut.
9. Replace live-end connector cover and tighten screw.
10. Tighten track to ceiling.

Connection of additional sections of track



NOTE: Ground connector must be on same side as track being joined. To maintain circuit polarity ground tabs must be broken off properly.



LIGHTING FIXTURE INSTALLATION INSTRUCTION

WARNING: BE SURE THE ELECTRICITY TO THE WIRES YOU ARE WORKING ON IS SHUT OFF-EITHER THE FUSE REMOVED OR THE CIRCUIT BREAKER SET OFF.

INSTALLATION OF FLOATING CANOPY AND CONNECTOR AND TRACK

1. Locate junction box in ceiling or on wall containing two wires. A black (hot) and a white (neutral). Note: Connect the green ground wire in the junction box.
2. After wires are connected, push wires into junction box and attach mounting bracket to junction box.
3. Attach dead-end connector C to track and position track on mounting bracket. Attach track and position track on mounting bracket. Attach track to ceiling first, then tighten set screw on either side of the track.
4. Twist adaptor A 90 degrees (make sure that the two contact fingers turn into the two slots in track.)
5. Place canopy cover B over connector and track and attach with screws.
6. Install lampholders.
7. Switch on main power.

NOTE: Maximum load is 2400 watts/20 amps for permanent installation into junction box.

