

SPECIFICATIONS

FIGURE 7755 PIPE STAND



ADJUSTABLE PIPE STAND

FEATURES

- Used to support and stabilize piping and valves for various applications
- V-shaped saddle to support a range of pipe sizes: 2"–6" and 8"–12"
- Compatible with Ductile Iron Pipe (DIP) and Iron Pipe (IPS)
- Able to withstand heavy loads, including the weight of water-filled pipe
- Custom made U-bolt to secure pipe to stand
- Threaded rod and adjustable nut offers up to 6" of fine adjustment
- Base can be cut to required length in the field. Minimum height of 14" is required
- Available in black and electro-galvanized finishes
- 6" x 6" base plate with (4) pre-drilled 3/4" bolt holes for anchoring
- Made in the USA



PRODUCT SPECIFICATIONS

- Designed to comply with NFPA 13 standards
- Welded per AWS D1.1
- Static Load rating:
 - 2"–6": 1850 lbs per pipe stand
 - 8"–12": 5350 lbs per pipe stand

Note: Designed for vertical installation to the floor only.

Part Number		Pipe Size	Pipe Type	Pipe Center Line \ominus		A (see diagram on page 2)	Saddle Width	Static Load
Black (plain)	Electro-Galvanized			Minimum Height	Maximum Height			
FNW7755BKU	FNW7755GKU	2"	Iron Pipe Size	17-3/8"	33-5/8"	3-3/8"–9-3/8"	12-7/8"	1850 lbs (Per Pipe Stand)
		2-1/2"		17-5/8"	33-7/8"	3-5/8"–9-5/8"		
		3"		18" - 24"	34-1/4"	4"–10"		
		4"		18-1/2"	34-3/4"	4-1/2"–10-1/2"		
		6"	19-3/4"	36"	5-3/4"–11-3/4"			
		3"	Ductile Iron	18-1/4"	34-1/2"	4-1/4"–10-1/4"		
		4"		18-3/4"	35"	4-3/4"–10-3/4"		
6"	19-7/8"	36-1/8"		5-7/8"–11-7/8"				
FNW7755BX12	FNW7755GX12	8"	Iron Pipe Size	23"	39-1/4"	9"–15"	23-1/16"	5350 lbs (Per Pipe Stand)
		10"		24-1/4"	40-1/2"	10-1/4"–16-1/4"		
		12"		25-3/8"	42"	11-3/8"–17-3/8"		
		8"	Ductile Iron	23-1/4"	39-1/2"	9-1/4"–15-1/4"		
		10"		24-1/2"	40-3/4"	10-1/2"–16-1/2"		
		12"		25-5/8"	41-7/8"	11-5/8"–17-5/8"		

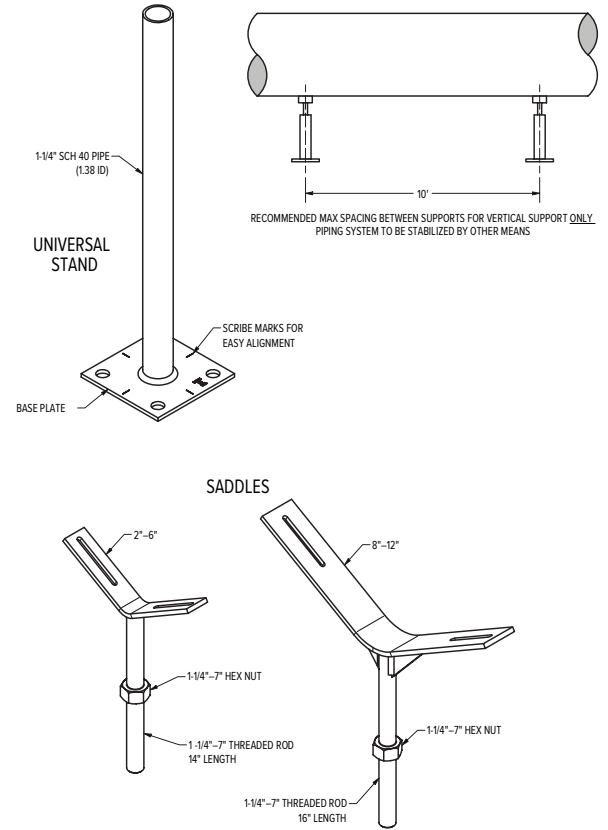
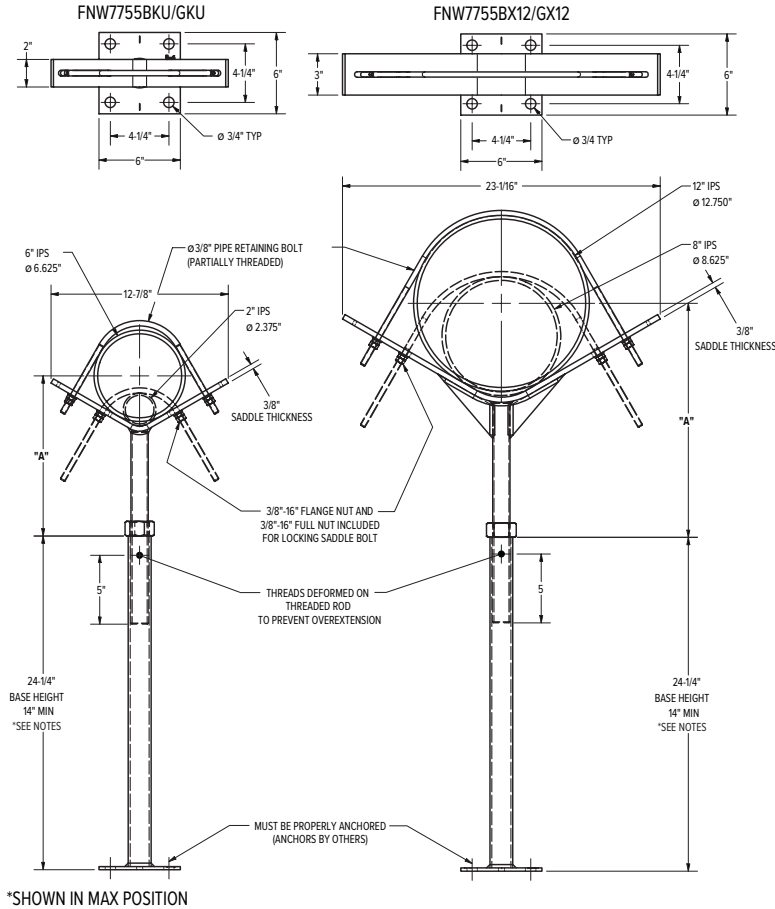
*Load based on 5x weight of pipe filled with water + 250 lbs while utilizing 10 ft max pipe stand spacing.
 *To achieve minimum adjustment height, base must be cut to the minimum of 14".

FIGURE 7755

PIPE STAND

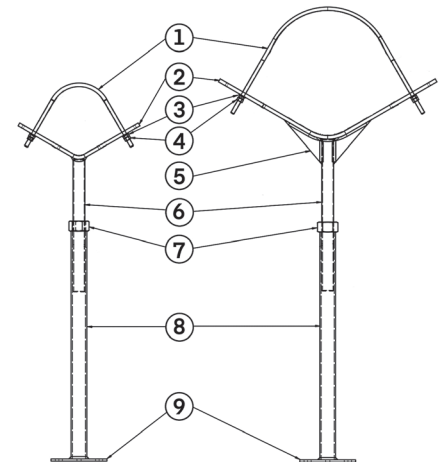


ADJUSTABLE PIPE STAND



*SHOWN IN MAX POSITION

Ref #	Description	Material
1	3/8" Saddle Bolt	AISI 1018 Low Carbon Steel
2	Flange Nut	Steel ASME B18.2.2 Gr 2
3	Hex Nut	Steel ASME B18.2.2 Gr 2
4	Saddle Plate	Steel ASTM A1011 Grade 33 P&O
5	Saddle Gusset	Steel ASTM A1011 Grade 33 P&O
6	Saddle Support	All Thread Stud 1-1/4" x 16" AISI 1018 Low Carbon Steel, Plain
7	Adjustment Nut	Steel ASME B18.2.2 Gr 2
8	Base Support	Schedule 40 pipe 1-1/4" x 24"
9	6" x 6" Base Plate	Steel ASTM A1011 Grade 33 P&O



*FNW7755GKU and FNW7755GX12 are electro-galvanized. Coatings on electro-galvanized products meet ASTM B633 SC Type III.

Disclaimer: Any alterations or modifications beyond the provided recommendations may result in failure. Modify at your own risk.