



## Swing Pipe Tubing and Fittings

### SPX Series – Swing Pipe

#### Primary Applications

Use Rain Bird Swing Pipe with Spiral Barb Fittings as a flexible swing assembly for sprays and rotors.

#### Features & Benefits

##### SPX-100

- Quick and easy installation lowers material and labor costs
- Installs quickly leaving time for additional system installations and incremental revenue opportunities

##### SPX-FLEX100

- Superior flexibility allows pipe to be efficiently routed around hardscape, terraces, and uneven terrain to turn landscape design into reality
- Textured surface makes product easier to handle, contributing to labor efficiency, especially under wet conditions

- Up to 30% more flexible than competitors (test proven)
- Enhanced kink resistance

#### Specifications

- Inside diameter: 0.49"
- Operating pressure up to 80 psi and 110° F

#### Models

- SPX-100: 100' (30 m) coil
- SPX-FLEX-100: 100' (30 m) coil



SPX-FLEX100

**NEW!**  
SPX-FLEX100 with Purple Stripe – specific to reclaimed water applications.

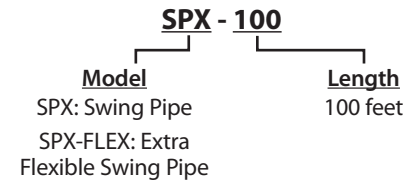


SPX-100



Up to 30% More Flexible than Competitors

### How to Specify/Order



### SB Series – Spiral Barb Fittings

#### Primary Applications

For use in conjunction with Swing Pipe as a flexible swing assembly.

#### Features & Benefits

- Fittings are made of robust acetal material to make connecting swing pipe fast and easy
- Easy twist-in insertion – no glue or clamps needed for installation
- Aggressive barb lip makes a secure connection that is less likely to leak
- Broad range of shapes and sizes allow the contractor to choose the best fitting for the application

- Extended length and aggressive barb lip prevent blow outs, reducing likelihood of contractor call backs

#### Specifications

- Up to 80 psi and 110° F

#### Models

- SBE-050: 1/2" M NPT x 1/2" barb elbow
- SBE-050B: 1/2" M NPT x 1/2" barb elbow - bulk package
- SBE-075: 3/4" M NPT x 1/2" barb elbow
- SBE-075B: 3/4" M NPT x 1/2" barb elbow - bulk package
- SBA-050: 1/2" M NPT x 1/2" barb adapter
- SBA-075: 3/4" M NPT x 1/2" barb adapter
- SB-TEE: 1/2" barb x 1/2" barb x 1/2" barb tee

- SB-CPLG: 1/2" barb x 1/2" barb coupling
- SBFE-050: 1/2" F NPT x 1/2" barb elbow
- SB-NPT-TEE: 1/2" M NPT x 1/2" barb x 1/2" spiral barb tee

SB-CPLG    SBA-050    SBFE-050    SBE-075



SBE-050    SB-TEE    SBA-075

## Specifications

### SPX-100 and SPX-FLEX-100

#### Swing Pipe Tubing

The swing pipe shall be flexible black tubing constructed of linear low density polyethylene material. The tubing shall have a wall thickness of 0.098" both for the SPX and SPX-FLEX models. It shall have a nominal inside diameter of 0.487" for SPX and SPX-FLEX for use with SB Series spiral barb fittings without the necessity of glue or clamps. The model number, manufacturer's name and date of manufacture shall be printed at intervals of between 3' and 6' along the length of the tubing. Each 18" (46 cm) length of tubing shall be capable of pressure testing at the rate of 80 pounds per square inch (psi) (5,5 bar) per second to a minimum burst pressure of 325 psi (22,4 bar) for SP and 350 psi (24,1 bar) for SPX and SPX-FLEX. The swing pipe shall be capable of 8 gallons per minute (gpm) maximum.

The tubing shall have an operating pressure rating of 80 psi at 110°F (5,5 bar at 43°C).

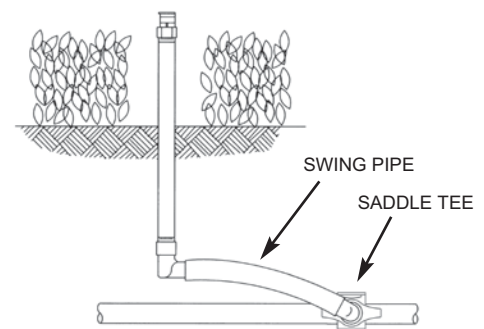
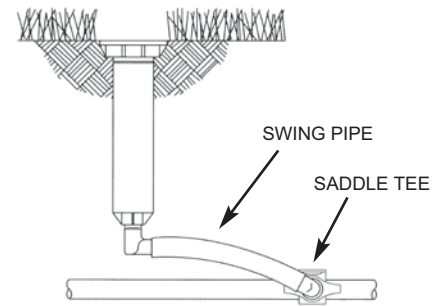
The swing pipe tubing shall be as manufactured by Rain Bird Corporation, Glendora California.

### SB Series Spiral barb Fittings

The spiral barb fittings shall be used in conjunction with swing pipe as a flexible swing assembly for 1/2" (15/21) and 3/4" (20/27) inlet sprinklers. The fittings shall have a maximum operating water pressure of 80 psi and 8 gpm.

The spiral barb fittings shall come in seven models to fit various needs. The fittings shall be constructed of Acetal thermoplastic material and be designed so as to permit twist-in insertion, eliminating the need for glue or clamps.

The fittings shall be as manufactured by Rain Bird Corporation, Glendora California.



**Rain Bird Corporation**  
6991 E. Southpoint Road  
Tucson, AZ 85706  
Phone: (520) 741-6100  
Fax: (520) 741-6522

**Rain Bird Technical Services**  
(800) RAINBIRD (U.S. and Canada)

**Rain Bird Corporation**  
970 West Sierra Madre Avenue  
Azusa, CA 91702  
Phone: (626) 812-3400  
Fax: (626) 812-3411

**Specification Hotline**  
800-458-3005 (U.S. and Canada)

**Rain Bird International, Inc.**  
P.O. Box 37  
Glendora, CA 91740-0037  
Phone: (626) 963-9311  
Fax: (626) 852-7343

[www.rainbird.com](http://www.rainbird.com)

The Intelligent Use of Water™ -- Visit [www.rainbird.com](http://www.rainbird.com) to learn about our efforts

© Registered Trademark of Rain Bird Corporation  
© 2008 Rain Bird Corporation 3/08

D39610A