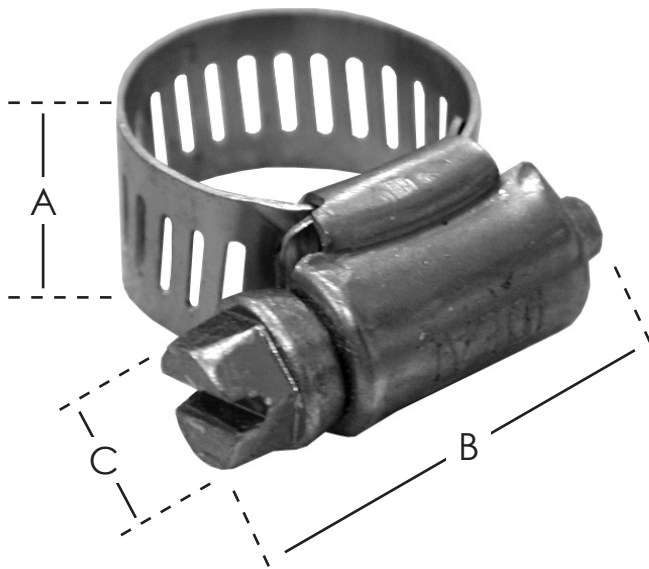


# SPECIFICATION SUBMITTAL SHEET

JONES STEPHENS CORPORATION

## FULL SIZE GEAR CLAMP- PART STAINLESS



### features and benefits:

- ◆ 1/2" Band

This product and others like it can be found in the Jones Stephens catalog. Call today to order your catalog or download it from our website:  
[www.plumbest.com](http://www.plumbest.com)

PART NO.	SIZE	A	B	C
□ G10-016	3/4" x 1-1/2"	1/2"	1-1/4"	5/16"

Jones Stephens Corporation  
3249 Moody Parkway • Moody, Alabama 35004  
Toll Free Phone: 1-800-355-6637 • Toll Free Fax: 1-800-462-6991  
[www.plumbest.com](http://www.plumbest.com)