

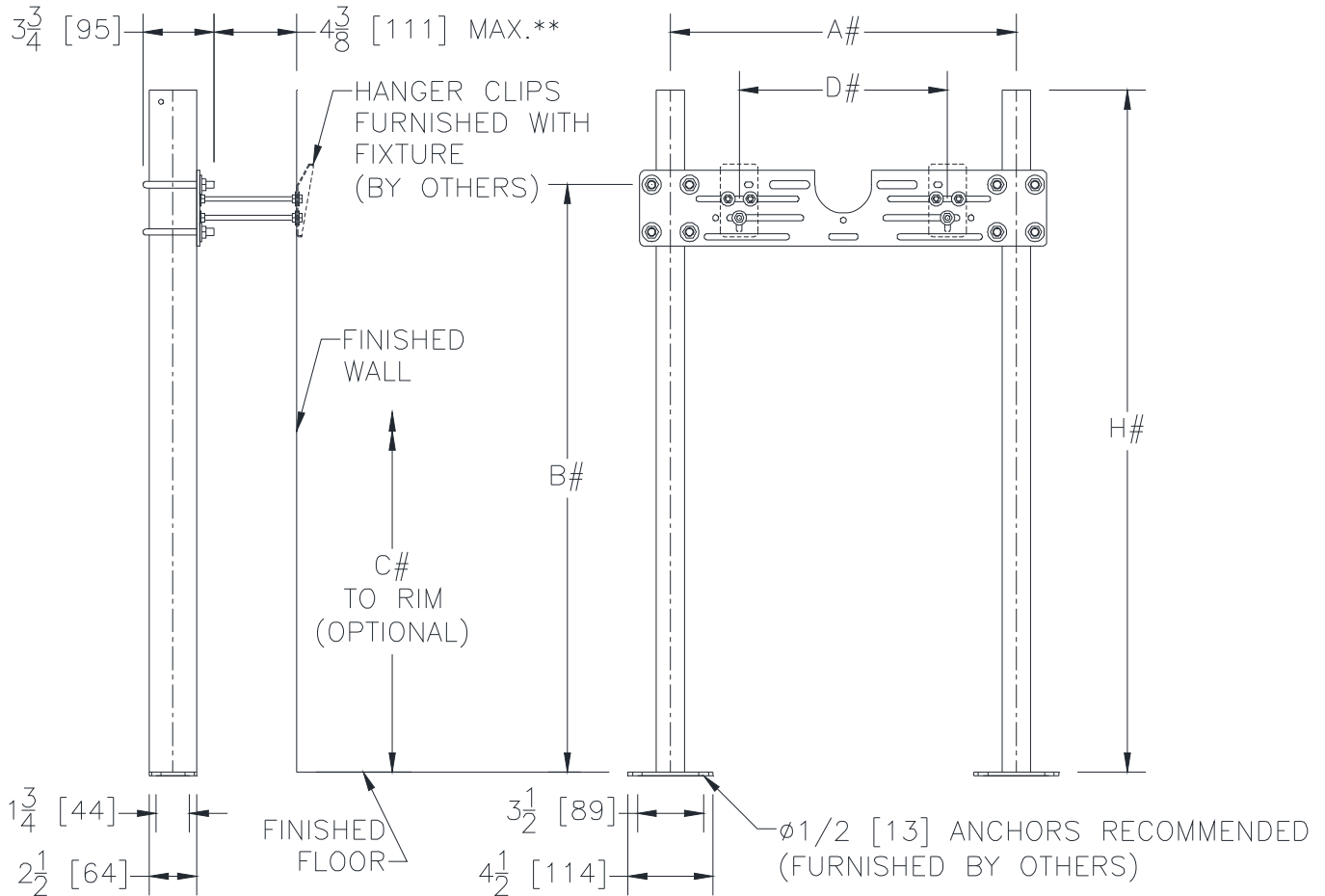


Z1221
PLATE TYPE SYSTEM
WALL URINALS

SPECIFICATION SHEET

TAG _____

Dimensional Data (inches and [mm]) are Subject to Manufacturing Tolerances and Change Without Notice



** WITH STANDARD STUD LENGTH OF 6 [152]

REFER TO ROUGH-IN GUIDE OF SPECIFIC FIXTURE FOR DIMENSIONS

Product No.	Approx. Wt. Lbs. [kg]
Z1221	28 [13]

ENGINEERING SPECIFICATION: ZURN Z1221

Wall urinal support system with top support plate. Complete with Dura-Coated rectangular steel uprights with welded feet, adjustable support plate, and mounting fasteners.

OPTIONS (Check/specify appropriate options)

PREFIXES

___ Z Dura-Coated System with Universal Plate*

SUFFIXES

___ -EZ Easy to Install Assembly
 ___ -58 Flush Valve Supply Support

* Regularly furnished unless otherwise specified.