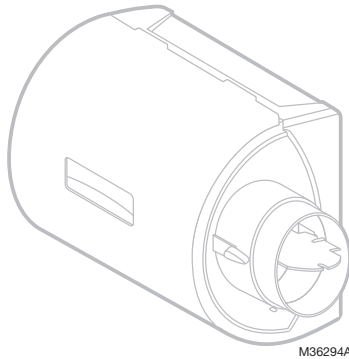




# HE105, HE205 Whole Home Bypass Humidifier

## INSTALLATION INSTRUCTIONS



M36294A

### APPLICATION

This kit contains your new HE105 or HE205 Humidifier, H6062 Digital Humidity Control and all the accessories required for installation.

### How Your Humidifier Works

Your humidifier uses the principle that vapor (evaporated water) is created when warm air blows over a water-soaked area. As the vapor circulates, the relative humidity rises.

Your humidity control monitors the relative humidity and activates the humidifier accordingly. The humidifier has a water supply that dispenses water evenly over a humidifier pad. The warm dry air from the furnace passes over the humidifier pad and picks up the moist air to circulate it throughout your home.

Humidified air feels warmer and more comfortable so you may be able to lower your thermostat heating setpoint, which saves money on your heating fuel bills. The end result is that your humidifier gives you a comfortable environment that is also energy efficient.

### Need Help?

For assistance with this product please visit <http://honeywellhome.com> or call Customer Care toll-free at 1-800-468-1502.

### PREPARING FOR THE INSTALLATION

Be sure to identify all the required (Table 1) accessories (included) and make sure the appropriate tools are available before beginning the installation.

#### Included in the box:

- Humidifier
- H6062 Digital Humidity Control
- Transformer

#### Canadian “C” models also include:

- 6 in. dia. bypass ducting (24 in.)
- 18 gauge thermostat wire (20 ft.)
- 1/4 in. (6.35 mm) OD feed water tubing (20 ft.)
- 1/2 in. (12.7 mm) ID drain tubing (10 ft.)
- Saddle valve

#### Required Tools

Tools required for installation include:

- Tin snip
- Screwdriver
- Pliers
- Adjustable or open-end wrench
- Drill
- Level
- 3/4 in. (19 mm) sheet metal drill bit

### SPECIFICATIONS

Model specific specifications are shown in Table 1.

**Operating Ambient Temperature:** 41 to 113 °F (5 to 45 °C)

**Power Supply:** 24 VAC / 60 Hz.

**Power Consumption:** 7 Watts with 24 Vrms

**Water Pressure:** 40 to 120 psi.

**Orifice Output:** .02 in. (0.5 mm)

**Flow Rate at Nozzle:** 4.7 GPH (18 L/hr.) under 120 psi

Table 1. Specifications.

Model	Size length × width × depth	Duct Opening H × W	Pad Size	Evaporation Output
HE105	15.16 × 16.57 × 9.47 in. (385 × 421 × 240 mm)	9.43 × 9.28 in. (240 × 236 mm)	10 × 9.5 × 1.5 in. (254 × 241 × 38.1 mm)	12 GPD
HE205	18.30 × 17.11 × 9.59 in. (465 × 434 × 243 mm)	12.63 × 9.68 in. (321 × 246 mm)	13.125 × 10 × 1.5 in. (333 × 254 × 38.1 mm)	17 GPD



## Safety Definitions

These safety terms identify information you must read prior to installing or operating the humidifier.

**WARNING**  
Indicates a hazardous situation which, if not avoided, could result in death or serious injury.

**CAUTION**  
Indicates a hazardous situation which, if not avoided, could cause bodily injury or property damage.

## Safety Precautions

Make sure you read and understand the following safety hazards before installing, using, or working with the humidifier:

**WARNING**  
**Serious Personal Injury Hazard.**  
Can cause electrical shock and injury from moving parts.  
Disconnect power and shut off water supply before removing cover.

**WARNING**  
**Hazardous Voltage**  
Can cause personal injury or equipment damage.  
Do not cut or drill into any air conditioning or electrical accessory.

**CAUTION**  
**Chemical Hazard.**  
Can cause personal injury or equipment damage.  
Do not use any line connected to an air conditioner.  
Do not use gas line.

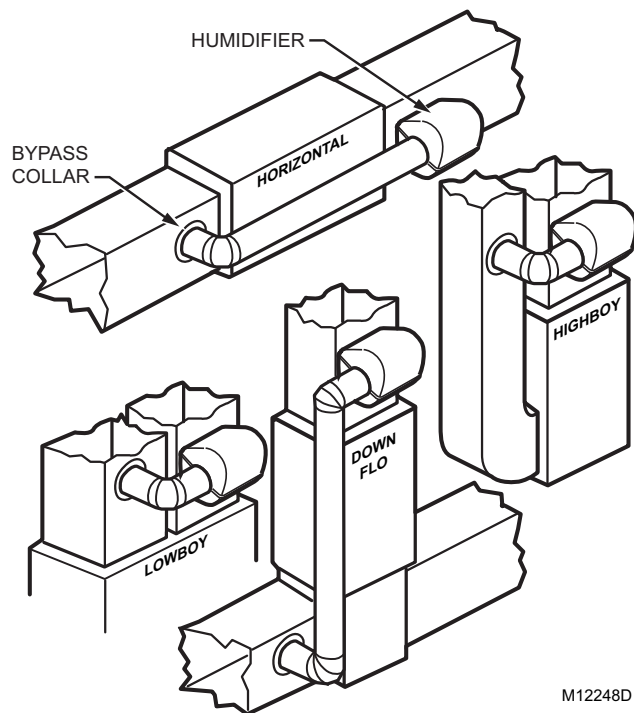
**CAUTION**  
**Temperature and Static Pressure Hazard.**  
Can cause property or equipment damage.  
Locate humidifier where ambient temperature is between 41 and 113 °F (5 to 45 °C).  
Do not install humidifier where freezing temperatures could occur.  
Be sure supply plenum static pressure is no greater than 0.4 in. wc and water pressure is no greater than 120 psi.

**CAUTION**  
**Sharp Edges Installation Hazard.**  
Can cause personal injury.  
Wear gloves and safety glasses.

**IMPORTANT**  
Read and save these instructions.

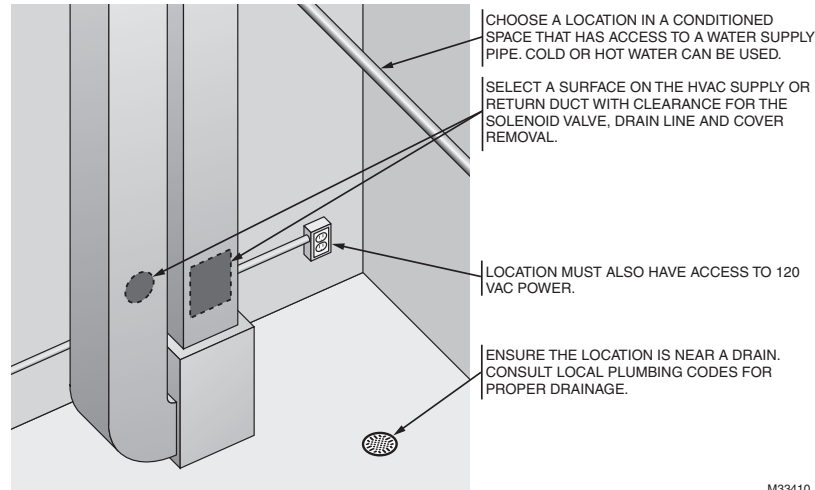
## Determining Best Location for Humidifier

- Select a location for the humidifier on the supply (warm air stream) duct. See Fig. 1 for examples. Return duct mounting is acceptable if there are space restrictions on the supply duct. If you are mounting the humidifier on the return duct, simply swap “return duct” for “supply duct” throughout these instructions.
- Select a location that cannot damage the air conditioner A-coil during installation.
- Do not locate the humidifier on the furnace body.
- Mount the humidifier in a conditioned space to prevent freezing.
- Mount the humidifier at least 3 in. (78 mm) above the furnace body to allow adequate space for the solenoid valve and drain line.



M12248D

Fig. 1. Typical humidifier installation locations.



M33410

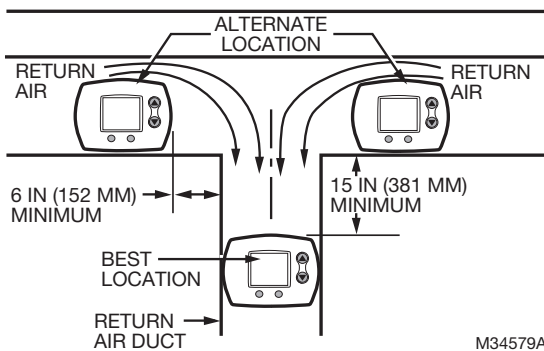
Fig. 2. Typical humidifier installation locations.

### Selecting Location for Humidistat

- Select a location for the humidistat on the return plenum or on the wall in the living space.
- Mounting on the return plenum is the easiest installation for the control wiring circuit.
- Make sure that the thermostat wire is adequate to reach from the humidifier to the humidistat, and also from the humidifier to the transformer. See “Wiring” on page 5 for more information.

#### IMPORTANT

The humidistat must be mounted upstream from the humidifier or bypass duct to ensure it is properly sensing the relative humidity of the living space. Locate the control at least 8 in. (203 mm) upstream from the humidifier in the return air duct. (See Fig. 3.)



M34579A

Fig. 3. Selecting duct location for humidistat.

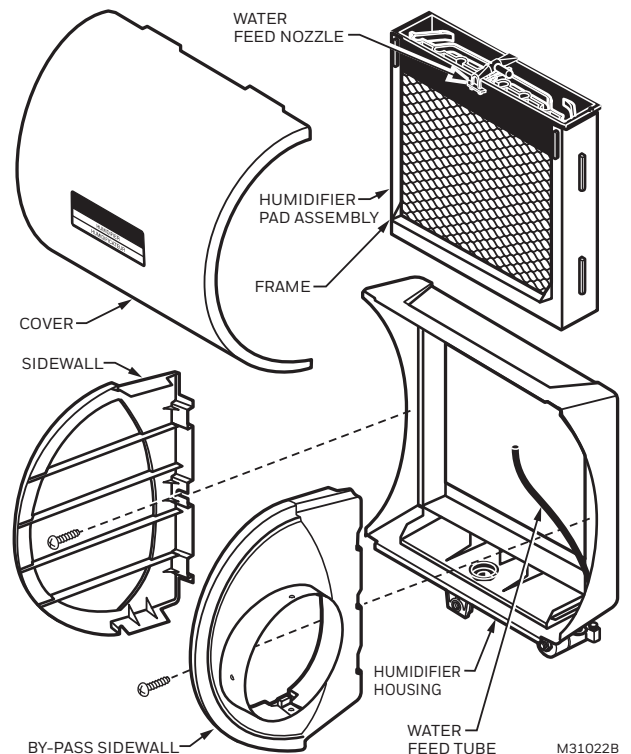
## INSTALLATION

1. Turn off power to the air handling system at the circuit breaker.
2. Draw a level line on the plenum in the selected location.

#### IMPORTANT

Be sure the mounting template is level before marking. Use of a small level is recommended.

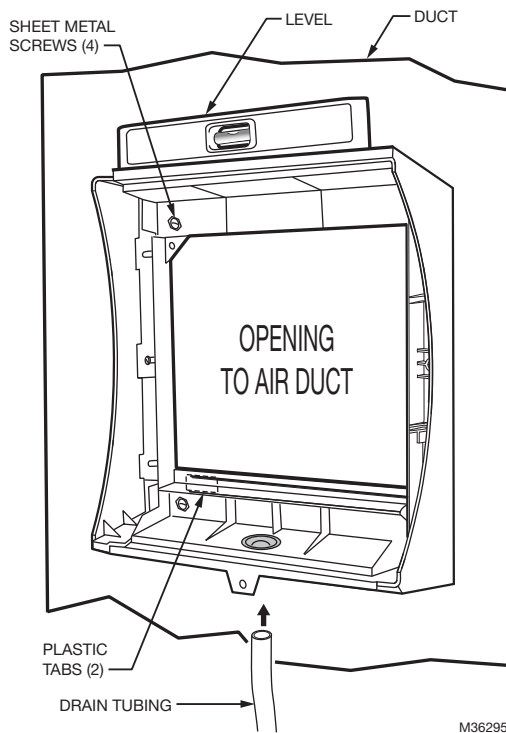
3. Locate the template (form number 33-00210, included in the box). For the HE105 model, cut out the template along the dotted line. For the HE205 model, use the entire sheet as a template.
4. Tape the template in position and trace around the template.
5. Remove the template and carefully cut the rectangular opening using tin snips.
6. Disassemble the humidifier; remove the cover and take out the humidifier pad assembly. See Fig. 4.



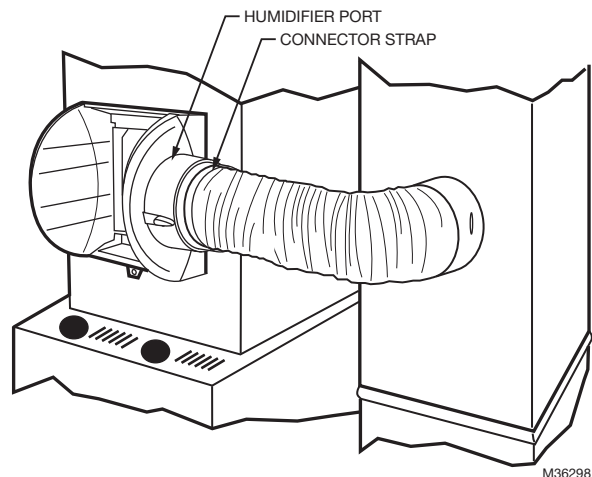
M31022B

Fig. 4. Disassembling humidifier.

7. Make sure the humidifier housing is level, then position it in the opening so the plastic tabs are in place on the *lower sheet metal edge* of the opening. Use pliers, as necessary, to flatten cut edges. See Fig. 5.
8. Secure the humidifier housing to the opening at the top and bottom using sheet metal screws.
9. Reassemble humidifier side plates to customize the orientation for your specific install. The side plate with the humidifier port needs to be on the side of the humidifier that is closest to the bypass ducting. Be sure to open the bypass flap for use and close it when the humidifier is not used. See Fig. 6.



**Fig. 5. Installing humidifier on duct.**



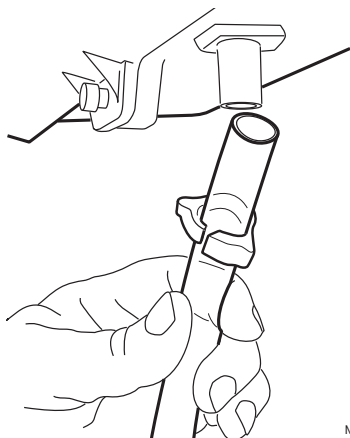
**Fig. 6. Connecting bypass ducting.**

## Connecting the Plumbing

1. Hot or cold water, either hard or softened, can be used in the humidifier. Cut the water line so it reaches from the humidifier to the main water supply tap.
2. Turn off water supply and tap into a water line.
  - Consult local codes for proper plumbing.
  - Use an approved saddle valve or a T-fitting and manual shutoff valve to tap into the water line.
  - Refer to the literature included with the valve you chose and the local plumbing codes. Use proper technique for the valve.
  - Connect the other end of the humidifier water line to the water valve.
  - Use 1/4 in. O.D. copper tubing and connect to inlet side of solenoid valve via a compression fitting or Quick Connect fitting.
  - Place brass compression nut over copper tubing.

NOTE: Do not over tighten compression nut.

- Moderate tightness prevents leaking.
  - Slide the brass ferrule over the tubing.
  - Insert tubing into solenoid valve fitting and support the valve while tightening the compression nut.
3. Connect a water drain line.
    - Consult and follow local plumbing codes for drain pipe size and flow requirement.
    - The ideal installation is directly to the main floor drain using a rubber drain hose.
      - a. Slide a drain clamp over the tubing.
      - b. Push the tubing over the drain nipple on the humidifier.
      - c. Route the drain hose to the floor drain. The hose must have a continuous downward slope.
      - d. Direct the hose outlet into the floor drain. Secure the hose to reduce the risk of water pooling or splashing as it drains from the humidifier. See Fig. 7.



M20177

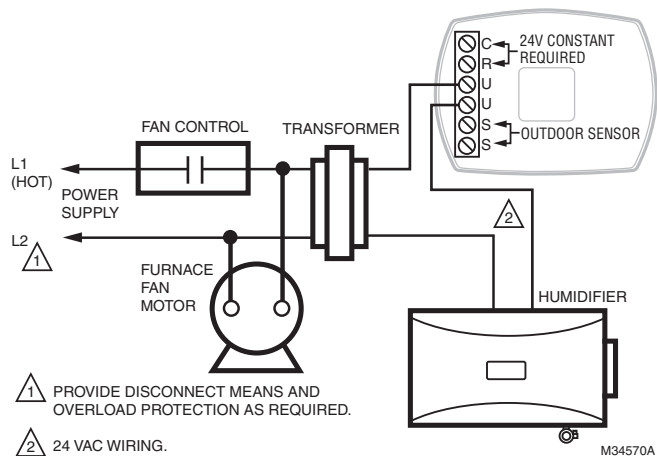
Fig. 7. Installing the drain tubing.

## WIRING

**CAUTION**  
**Hazardous Voltage.**  
 Can cause personal injury or equipment damage.  
 Disconnect power supply before installing or servicing equipment.

**IMPORTANT**  
 All wiring must comply with applicable local code, ordinances and regulations.

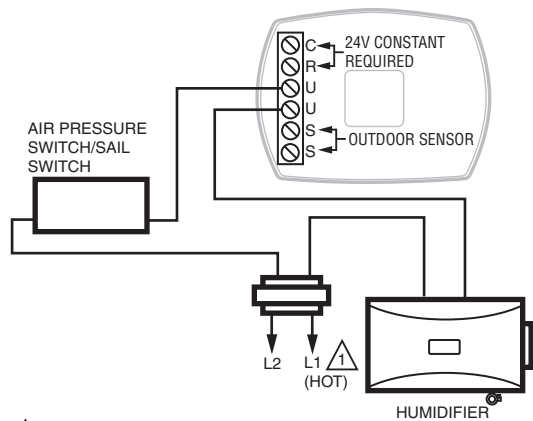
Wire the humidifier, humidistat and transformer. See Fig. 8–11.



1 PROVIDE DISCONNECT MEANS AND OVERLOAD PROTECTION AS REQUIRED.  
 2 24 VAC WIRING.

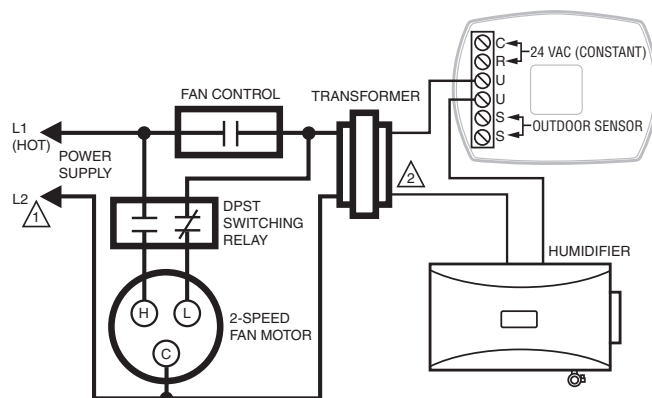
M34570A

Fig. 8. Wiring H6062 to humidifier with Fan Interlock.



1 PROVIDE DISCONNECT MEANS AND OVERLOAD PROTECTION AS REQUIRED.  
 M34573A

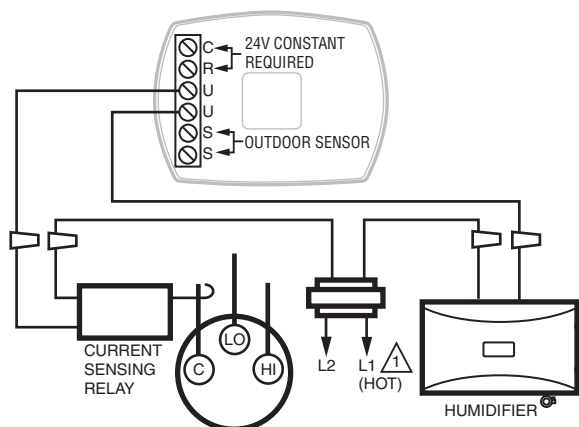
Fig. 9. Wiring HumidiPRO in line with air proving device.



1 PROVIDE DISCONNECT MEANS AND OVERLOAD PROTECTION AS REQUIRED.  
 2 24 VAC WIRING.

M34571

Fig. 10. Wiring HumidiPRO with 2-speed fan motor.\*



1 PROVIDE DISCONNECT MEANS AND OVERLOAD PROTECTION AS REQUIRED.  
 M34572A

Fig. 11. Wiring HumidiPRO with current-sensing relay.

\* When a thermostat with IAQ control is used instead of a humidistat, it simplifies the wiring circuit. The thermostat U contacts are installed in place of the H6062 from Fig. 10 and the sail switch is removed from the circuit. No special wiring of the transformer primary, sail switch, or relay is needed.

# TESTING HUMIDIFIER OPERATION

## Checklist

- Humidifier is level.
- Control wiring was reviewed using circuit diagram.
- Humidifier is plugged in.
- Feed line has no kinks.
- Drain line slopes continuously down and ends at floor drain.
- Water hose inside humidifier is connected to PerfectFlow™ water distribution tray.

After installation use the following steps to check the humidifier operation:

1. Turn on the power and the water supply.
2. Turn the H6062 Humidistat all the way up and turn on the heat by setting the thermostat to 10 °F (6 °C) above room temperature.

### IMPORTANT

*The furnace blower must be on to activate the humidifier.*

3. Make sure that water is flowing out of the drain hose. If water does not flow, see Troubleshooting Your Humidifier section.
4. Check for leaks.
5. Reset the thermostat and H6062 Humidistat to a comfortable setting for automatic operation.

## OPERATION

### How Your Humidifier Works

Your humidifier uses the principle that vapor (evaporated water) is created when warm air blows over a water-soaked area. As the vapor circulates, the relative humidity rises.

Your humidity control monitors the relative humidity and activates the humidifier accordingly. The humidifier has a water supply that dispenses water evenly over a humidifier pad. The warm dry air, from the furnace, passes over the humidifier pad and picks up the moist air to circulate it throughout your home.

Humidified air feels warmer and more comfortable so you may be able to lower your thermostat heating setpoint, which saves money on your heating fuel bills. The end result is that your humidifier gives you a comfortable environment that is also energy efficient.

### Controlling Your Humidity Settings

Your H6062 Humidistat controls your humidifier.

- Choose the humidity control setting using the combination of relative humidity/outdoor temperature setting scale on your humidity control dial.
- When the outdoor sensor is used, the H6062 will optimize the humidity level while reducing moisture condensation on the windows. See the H6062 instructions for settings and adjustments.

NOTE: If the outdoor sensor is not used with H6062, as the outside temperature drops, a lower humidity setting is recommended to accommodate dew-point effects. These settings should reduce the accumulation of moisture and ice on windows and other areas of the home.

- Adjust the humidity control setting to adjust for indoor activities such as cooking, showering and clothes drying, which can cause excessive levels of humidity that can accumulate moisture on your windows.

NOTE: If these activities persist for more than a few hours, set the humidity control to the lowest setting to turn off the humidifier. If the condition does not improve, ventilate your home to remove the moisture.

**Table 2. Setting Your Humidistat when outdoor sensor is**

When Outside Temperature is:	Use This Control Setting:
-20 °F (-29 °C)	15
-10 °F (-23 °C)	20
0 °F (-18 °C)	25
+10 °F (-12 °C)	30
+20 °F (-7 °C)	35
Above 20 °F (-7 °C)	40

**not used.**

## MAINTAINING YOUR HUMIDIFIER

A regular maintenance program prolongs the life of your humidifier and makes your home more comfortable. The frequency of cleaning depends on the condition of your water.

You can use either hard or soft water in your humidifier, but hard water mineral deposits are more difficult to clean than soft water deposits.

### IMPORTANT

*Never oil any part of the humidifier.*

### End of Humidification Season

- Clean the humidifier and shut it off at the end of the heating season.
- Turn the water off at the saddle valve or T-valve fitting by turning the handle to the right (clockwise) until the water stops flowing and/or there is resistance.
- Un-power the humidifier.
- Turn the damper blade to the "closed" position.

### Replacement Humidifier Pads

Resideo recommends replacing the humidifier pad on an annual basis. However, if your home has hard water, the pad may need to be replaced more frequently because of the buildup of minerals diminishing its ability to operate normally. If there is access to a water softener, it is recommended to use softened water.

**Table 3. Replacement pad part numbers.**

Model	Replacement Pad
HE105	HC22
HE205	HC26

## Checkout

1. Open the water supply and bypass duct flap.

NOTE: The furnace blower must be on for the humidifier to operate.

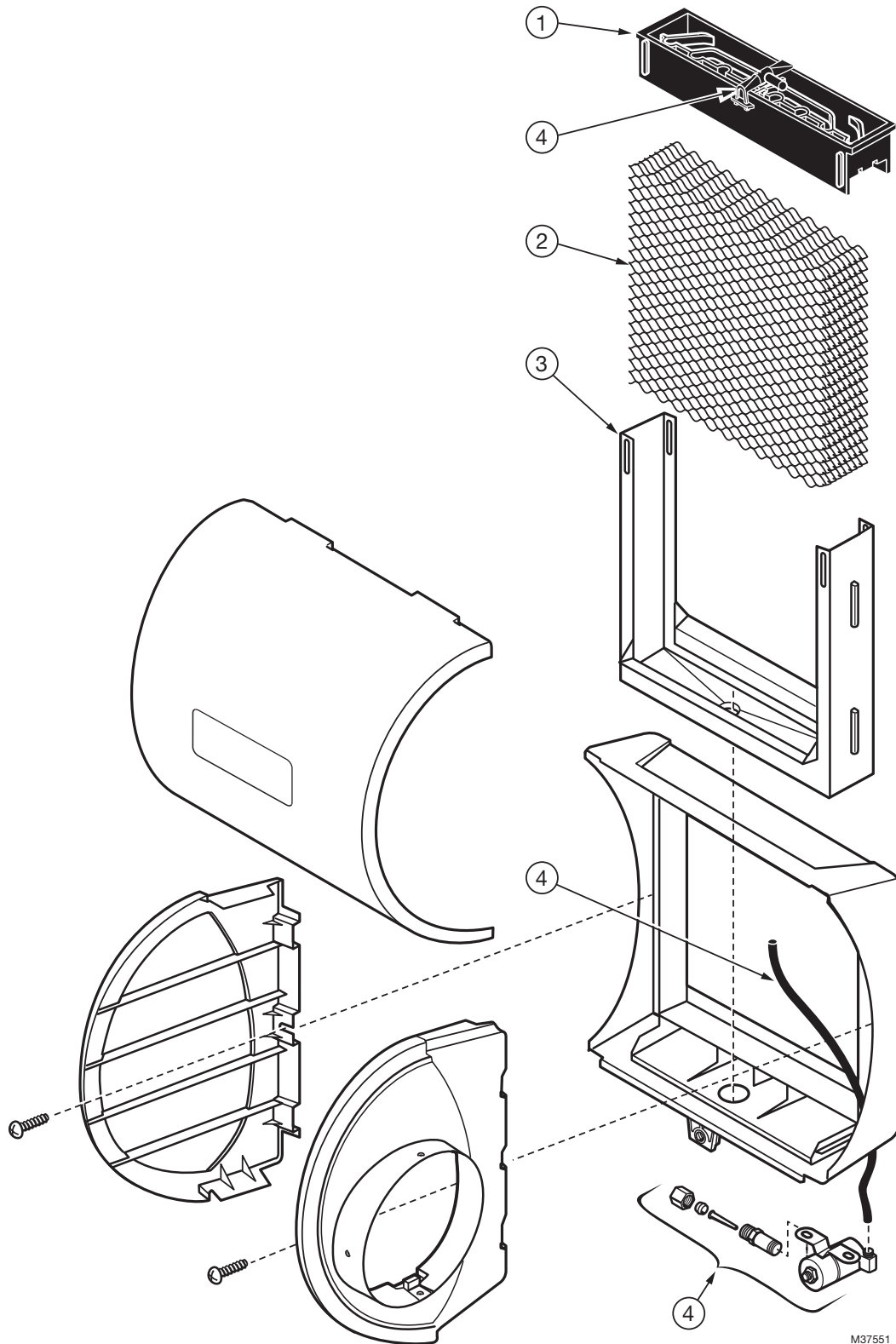
2. Set the thermostat setpoint 10°F (6°C) above the room temperature.
3. Set the Humidity Control to a high humidity setting, or place the setting in the test position.
4. Observe the water running out of the drain line to be sure the humidifier is working properly.
5. Check for leaks.
6. Reset the Humidity Control to a comfortable setting, or the Automatic Humidity Control to the desired frost factor setting.

## TROUBLESHOOTING YOUR HUMIDIFIER

Problem	What to look for	What to do
Water leakage	Leaking joints.	Shut off water and tighten connections.
	Brass tubing inserts	Verify that brass tubing inserts are used.
	Saddle valve leaking.	Verify rubber pad is installed on saddle valve.
No water to drain.	Electrical	Verify control circuit wiring. Check all connections.
	Humidistat	Turn humidistat up and down and listen for contact to click.
	Humidifier power	Verify that outlet has power.
	Solenoid	After verifying other wiring components, turn on furnace fan, turn humidistat up and down, and listen for solenoid to click.
	Plumbing	Verify plumbing connections. Check for kinks.
	Saddle valve	Verify that needle pierces water line and then backs out needle to open valve.
	Humidifier	Remove cover and verify that water flows into distribution tray.
	Drain tubing	Verify no obstructions.
Air leakage	Check duct joints	Seal with foil tape.
Low humidity	Furnace blower not operating.	<ul style="list-style-type: none"> <li>• Reset circuit breaker or check for blown fuse.</li> <li>• Check that the furnace power is on.</li> <li>• Check all external wiring connections.</li> <li>• Check the humidity control setting.</li> <li>• Call a professional heating contractor.</li> </ul>
	Rapid air changes. Drafts (cold air is dry and is an added load to the humidifier).	<ul style="list-style-type: none"> <li>• Keep doors and windows closed.</li> <li>• Close fireplace damper when not in use.</li> <li>• Keep exhaust fan running time to a minimum.</li> <li>• Seal around doors and windows.</li> </ul>
	Damper in "closed" position	<ul style="list-style-type: none"> <li>• Set damper blade to "open" position to allow humidification.</li> </ul>
High humidity	Condensation on walls.	<ul style="list-style-type: none"> <li>• Turn off humidity control and water until condensation is completely evaporated.</li> </ul>
	Heavy condensation on windows.	<ul style="list-style-type: none"> <li>• Turn humidity control down low enough to eliminate condensation caused by moisture from bathing, mopping, cooking, etc. If moisture persists, more ventilation is needed.</li> </ul>

## REPLACEMENT PARTS

Refer to Fig. 12 and Table 4 when ordering replacement parts.



M37551

**Fig. 12. Exploded view of humidifier parts.**



**Table 4. List of replacement parts for HE105, HE205.**

<b>Exploded View Number (see Fig. 12)</b>	<b>Description</b>	<b>HE105</b>	<b>HE205</b>
1	PerfectFlo™ water distribution tray	32001619-001/U	32001630-001/U
2	Humidifier Pad Standard	HC22A1007/U	HC26A1008/U
	Humidifier Pad with AgION Coating	HC22E1003/U	HC26E1004/U
3	Frame	32001621-001/U	32001632-001/U
4	Solenoid valve assembly (includes water feed tube and nozzle)	32001639-002/U	32001639-002/U
—	Hardware Kit for Solenoid Assembly (same as solenoid valve assembly without the solenoid valve)	32001752-001	32001752-001
—	Current Sensing Relay	32001754-001	32001754-001

## 5-YEAR LIMITED WARRANTY

Resideo warrants this product, excluding battery, to be free from defects in workmanship or materials, under normal use and service, for a period of five (5) years from the date of first purchase by the original purchaser. If at any time during the warranty period the product is determined to be defective due to workmanship or materials, Resideo shall repair or replace it (at Resideo's option).

If the product is defective,

(i) return it, with a bill of sale or other dated proof of purchase, to the place from which you purchased it; or

(ii) call Resideo Customer Care at 1-800-468-1502. Customer Care will make the determination whether the product should be returned to the following address: Resideo Return Goods, 1985 Douglas Dr. N., Golden Valley, MN 55422, or whether a replacement product can be sent to you.

This warranty does not cover removal or reinstallation costs. This warranty shall not apply if it is shown by Resideo that the defect was caused by damage which occurred while the product was in the possession of a consumer.

Resideo's sole responsibility shall be to repair or replace the product within the terms stated above. RESIDEO SHALL NOT BE LIABLE FOR ANY LOSS OR DAMAGE OF ANY KIND, INCLUDING ANY INCIDENTAL OR CONSEQUENTIAL DAMAGES RESULTING, DIRECTLY OR INDIRECTLY, FROM ANY BREACH OF ANY WARRANTY, EXPRESS OR IMPLIED, OR ANY OTHER FAILURE OF THIS PRODUCT.

Some states do not allow the exclusion or limitation of incidental or consequential damages, so this limitation may not apply to you.

THIS WARRANTY IS THE ONLY EXPRESS WARRANTY RESIDEO MAKES ON THIS PRODUCT. THE DURATION OF ANY IMPLIED WARRANTIES, INCLUDING THE WARRANTIES OF MERCHANTABILITY AND FITNESS FOR A PARTICULAR PURPOSE, IS HEREBY LIMITED TO THE FIVE YEAR DURATION OF THIS WARRANTY. Some states do not allow limitations on how long an implied warranty lasts, so the above limitation may not apply to you.

This warranty gives you specific legal rights, and you may have other rights which vary from state to state. If you have any questions concerning this warranty, please write Resideo Customer Care, 1985 Douglas Dr, Golden Valley, MN 55422 or call 1-800-468-1502.



[www.resideo.com](http://www.resideo.com)

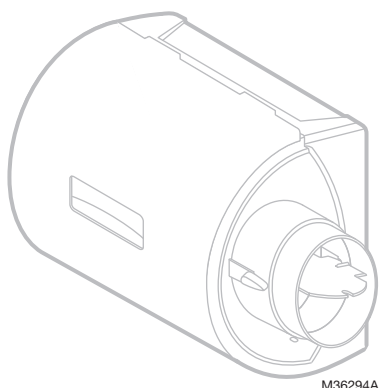
Resideo Technologies, Inc.  
1985 Douglas Drive North, Golden Valley, MN 55422  
1-800-468-1502  
33-00229EF-05 M.S. Rev. 07-22 | Printed in United States



# HE105, HE205

## Humidificateur à dérivation pour toute la maison

### NOTICE D'INSTALLATION



M36294A

## APPLICATION

Cette trousse contient votre nouvel humidificateur HE105 ou HE205, le régulateur d'humidité numérique H6062 et tous les accessoires nécessaires à l'installation.

## Fonctionnement de l'humidificateur

L'humidificateur utilise le principe selon lequel la vapeur (eau évaporée) est créée lorsque de l'air chaud souffle sur une zone détrempee. Au fur et à mesure que la vapeur circule, l'humidité relative augmente.

Le régulateur d'humidité contrôle l'humidité relative et active l'humidificateur en fonction. L'humidificateur a une alimentation en eau qui distribue l'eau uniformément sur le tampon de l'humidificateur. L'air chaud sec provenant de l'appareil de chauffage passe sur le tampon de l'humidificateur et récupère l'air humide pour le faire circuler dans la maison.

L'air humide semble plus chaud et plus confortable, ce qui peut permettre de réduire le point de consigne de chauffage du thermostat et les factures d'énergie. Le résultat final est un environnement confortable et produisant des économies d'énergie.

## Besoin d'aide?

Pour obtenir de l'assistance au sujet de ce produit, veuillez consulter le site <http://honeywellhome.com> ou appeler le numéro gratuit du service à la clientèle au 1-800-468-1502.

## PRÉPARATION À L'INSTALLATION

Veiller à identifier tous les accessoires inclus (répertoriés dans le Tableau 1) et s'assurer que les outils appropriés sont disponibles avant de commencer l'installation.

### Inclus dans la boîte :

- Humidificateur
- Régulateur d'humidité numérique H6062
- Transformateur

### Les modèles « C » canadiens incluent également :

- Conduit de dérivation de 6 po de dia. (24 po)
- Fil de thermostat de calibre 18 (20 pi)
- Tube d'eau d'alimentation de 6,35 mm (1/4 po) de diamètre extérieur (20 pi)
- Tuyau d'évacuation de 12,7 mm (1/2 po) de diamètre intérieur (10 pi)
- Vanne à étrier

### Outils requis

Les outils requis pour l'installation incluent :

- Cisailles à tôle
- Tournevis
- Pincettes
- Clé réglable ou à fourche
- Perceuse
- Niveau
- Foret à tôle de 19 mm (3/4 po)

## CARACTÉRISTIQUES

Les caractéristiques des modèles spécifiques sont indiquées dans le Tableau 1.

**Température ambiante de service :** 5 à 45 °C (41 à 113 °F)

**Alimentation :** 24 V c.a. / 60 Hz.

**Consommation d'énergie :** 7 Watts avec 24 Vrms

**Pression de l'eau :** 40 à 120 psi.

**Sortie de l'orifice :** 0,5 mm (0,02 po)

**Débit à la buse :** 18 l/h (4,7 gal./h) à moins de 120 psi

Tableau 1. Spécifications.

Modèle	Dimensions longueur x largeur x profondeur	Ouverture de conduit H x l	Taille du tampon	Débit d'évaporation
HE105	385 x 421 x 240 mm (15,16 x 16,57 x 9,47 po)	240 x 236 mm (9,43 x 9,28 po)	254 x 241 x 38,1 mm (10 x 9,5 x 1,5 po)	12 gal/jour
HE205	465 x 434 x 243 mm (18,30 x 17,11 x 9,59 po)	321 x 246 mm (12,63 x 9,68 po)	333 x 254 x 38,1 mm (13,125 x 10 x 1,5 po)	17 gal/jour

## Définitions relatives à la sécurité

Les termes de sécurité identifient des informations qu'il faut lire avant d'installer ou d'utiliser l'humidificateur.

### **AVERTISSEMENT**

Indique une situation dangereuse qui, si elle n'est pas évitée, risque de causer des blessures graves, voire mortelles.

### **MISE EN GARDE**

Indique une situation dangereuse qui, si elle n'est pas évitée, risque d'endommager le produit ou de causer des blessures corporelles.

## Précautions relatives à la sécurité

Lire et comprendre les risques d'accident suivants avant d'installer, d'utiliser ou de manipuler l'humidificateur :

### **AVERTISSEMENT**

**Risque de blessures graves.**  
**Les pièces en mouvement peuvent causer des chocs électriques et des blessures.**  
 Débrancher l'alimentation et couper l'arrivée d'eau avant de retirer le couvercle.

### **AVERTISSEMENT**

**Tension dangereuse.**  
**Peut causer des blessures et des dommages matériels.**  
 Ne pas couper ni percer un appareil de conditionnement d'air ou électrique.

### **MISE EN GARDE**

**Danger chimique.**  
**Peut causer des blessures et des dommages matériels.**  
 Ne pas se servir de la tuyauterie reliée au système de climatisation.  
 Ne pas utiliser la tuyauterie de gaz.

### **MISE EN GARDE**

**Danger de température et de pression statique.**  
**Peut causer des dommages matériels.**  
 Placer l'humidificateur dans un lieu où la température ambiante est comprise entre 5 °C et 45 °C (41 °F et 113 °F).  
 Ne pas installer l'humidificateur dans un endroit où des températures inférieures ou égales à 0 °C (32 °F) peuvent être présentes.  
 S'assurer que la pression statique de l'alimentation dans le plénum ne dépasse pas 0,4 po c.e. et que la pression de l'eau ne dépasse pas 120 psi.

## **MISE EN GARDE**

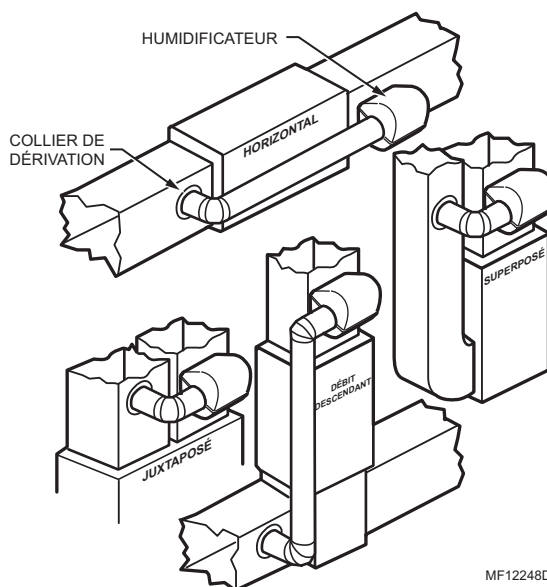
**Danger de bords coupants durant l'installation.**  
**Peut causer des blessures.**  
 Porter des gants et des lunettes de sécurité.

### **IMPORTANT**

Lire et conserver ces instructions.

## Choix du meilleur emplacement pour installer l'humidificateur

- Choisir un emplacement pour l'humidificateur sur la gaine d'arrivée (flux d'air chaud). Voir la Fig. 1 pour les exemples. Un montage sur la gaine de retour est permis en cas de limitations d'espace sur la gaine d'arrivée. Si l'humidificateur est monté sur la gaine de retour, il suffit de permuter la gaine de retour et la gaine d'arrivée tout au long de ces instructions.
- Sélectionner un emplacement ne risquant pas de causer des dommages au serpentin en A du climatiseur durant l'installation.
- Ne pas placer l'humidificateur sur le boîtier de l'appareil de chauffage.
- Monter l'humidificateur dans un espace conditionné pour éviter le gel.
- Installer l'humidificateur à une distance minimale de 78 mm (3 po) au-dessus du boîtier de l'appareil de chauffage afin de laisser un espace suffisant pour l'électrovanne et le tuyau de vidange.



MF12248D

**Fig. 1. Emplacements typiques de l'humidificateur.**

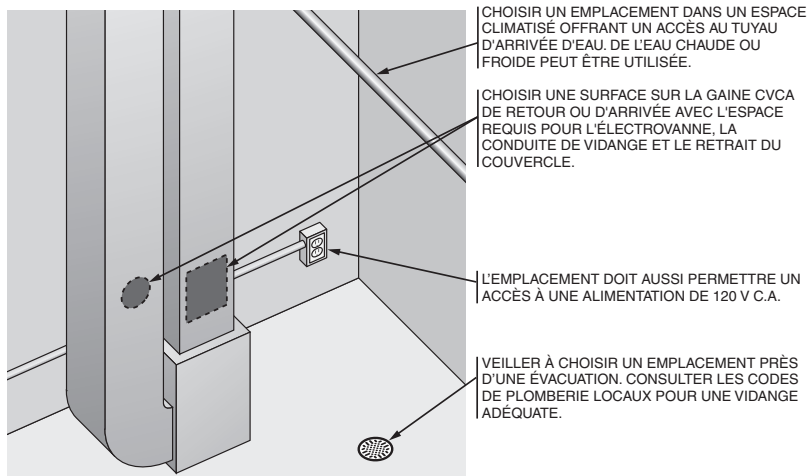


Fig. 2. Emplacements typiques de l'humidificateur.

### Choix du lieu d'installation de l'humidistat

- Sélectionner pour l'humidistat un emplacement sur le plénum de retour ou sur le mur de l'espace habité.
- L'installation sur le plénum de retour permet de contrôler le plus facilement le circuit de câblage du régulateur.
- S'assurer que le fil du thermostat est de longueur suffisante pour relier l'humidificateur à l'humidistat et l'humidificateur au transformateur. Consulter la rubrique « Câblage » de la page 5 pour plus d'informations.

### IMPORTANT

L'humidistat doit être monté en amont de l'humidificateur ou du tuyau de dérivation pour assurer une détection adéquate de l'humidité relative de l'espace habité. Placer le régulateur à au moins 203 mm (8 po) en amont de l'humidificateur dans la gaine d'air de retour. (Voir la Fig. 3.)

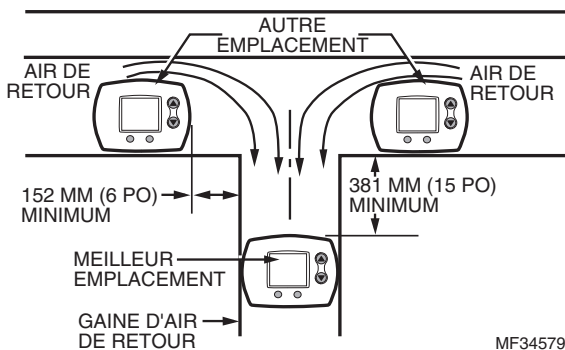


Fig. 3. Choix de l'emplacement du conduit pour l'humidistat.

## INSTALLATION

1. Couper l'alimentation du système de traitement de l'air au disjoncteur.
2. Tracer une ligne à niveau sur le plénum à l'emplacement sélectionné.

### IMPORTANT

S'assurer que le gabarit de montage est de niveau avant de procéder au marquage. Il est recommandé d'utiliser un niveau de petite taille.

3. Repérer le gabarit (formulaire n° 33-00210 inclus dans la boîte). Pour le modèle HE105, couper le gabarit le long de la ligne pointillée. Pour le modèle HE205, utiliser la feuille entière comme gabarit.
4. Fixer le gabarit à l'emplacement requis avec du ruban adhésif et en tracer le contour.
5. Enlever le gabarit et couper avec soin une ouverture rectangulaire en utilisant des cisailles à tôle.
6. Démontez l'humidificateur, retirez le couvercle et sortez le tampon de l'humidificateur. Voir la Fig. 4.

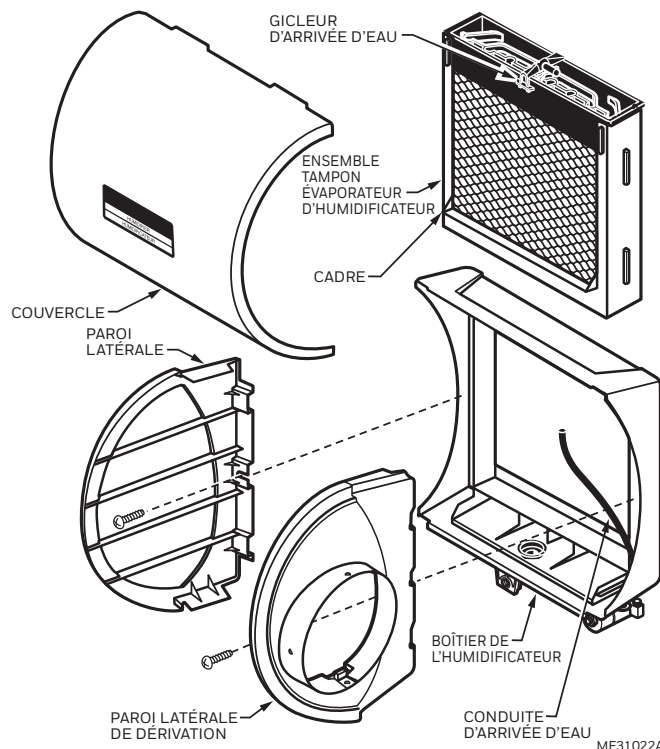


Fig. 4. Démontage de l'humidificateur.

7. S'assurer que le boîtier de l'humidificateur est à niveau, puis le placer dans l'ouverture de sorte que les languettes en plastique soient en place sur le bord de la tôle inférieure de l'ouverture. Utiliser des pinces, selon le besoin, pour aplatir les bords d'attaque. Voir la Fig. 5.
8. Fixer le boîtier de l'humidificateur à l'ouverture en haut et en bas à l'aide des vis à tôle.
9. Réassembler les plaques latérales de l'humidificateur pour adapter l'orientation en fonction de l'installation spécifique. La plaque latérale avec le port pour l'humidificateur doit être située du côté de l'humidificateur le plus proche du conduit de dérivation. Veiller à ouvrir le volet de dérivation lorsque l'humidificateur est utilisé et à le fermer lorsqu'il ne l'est pas. Voir la Fig. 6.

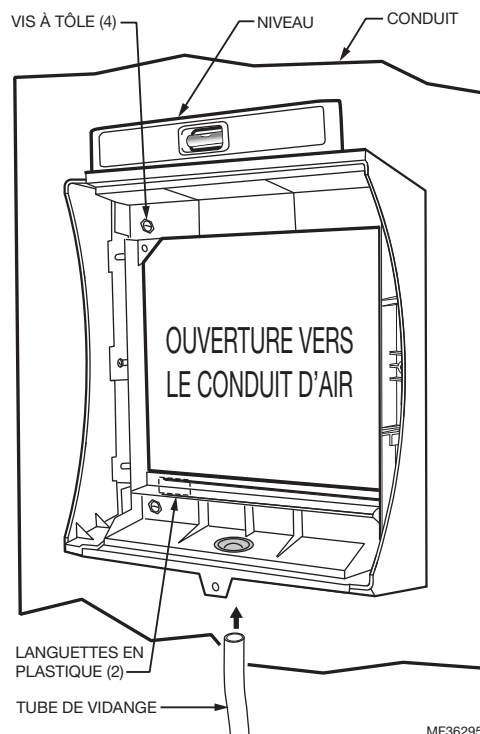


Fig. 5. Installation de l'humidificateur sur le conduit.

10. Faire glisser le conduit de dérivation sur le port de l'humidificateur du HE105/HE205, en veillant à ce que le conduit flexible dépasse des languettes en plastique saillantes sur le trou. Ces languettes permettent de maintenir la gaine flexible en place. Vérifier que la lame du registre a suffisamment de place pour bouger en avant et en arrière entre les positions ouverte et fermée. Fixer la gaine flexible en place avec la bride de connecteur en plastique.
11. Sceller les connexions de gaine avec le ruban en aluminium. Sceller
  - 1.) la connexion entre l'extrémité du collier de départ du conduit flexible et les gaines d'air de la résidence ET
  - 2.) l'extrémité du conduit flexible à l'humidificateur sur le haut de la bride du connecteur.
12. Réinstaller le tampon de l'humidificateur dans le boîtier de l'humidificateur.
13. Accrocher le couvercle et le fixer avec la vis de serrage à main située en bas du couvercle.

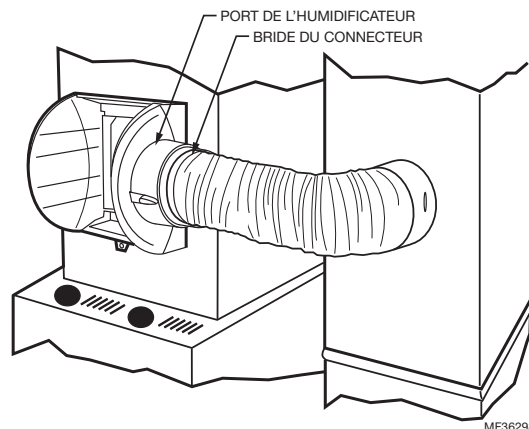


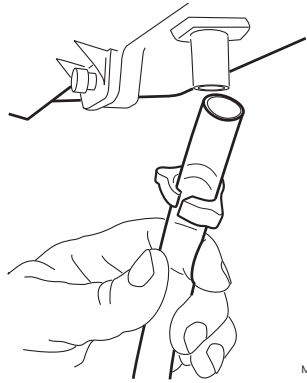
Fig. 6. Connexion du conduit de dérivation.

## Connexion de la plomberie

1. L'humidificateur fonctionne avec de l'eau dure ou de l'eau douce. L'eau peut être chaude ou froide. Couper la canalisation d'eau de façon à ce qu'elle s'achemine de l'humidificateur à la prise d'arrivée d'eau principale.
2. Fermer l'arrivée d'eau et accéder à une canalisation d'eau.
  - Consulter les codes locaux pour savoir comment exécuter correctement les travaux de plomberie.
  - Utiliser une vanne à étrier ou un raccord en T homologués et un robinet d'arrêt manuel pour accéder à la canalisation d'eau.
  - Se reporter à la documentation incluse avec le robinet choisi et aux codes de plomberie locaux. Utiliser une technique convenant au robinet.
  - Brancher l'autre extrémité de la canalisation d'eau de l'humidificateur au robinet d'eau.
  - Utiliser un tube en cuivre de 1/4 po de dia. ext. et connecter au côté admission de l'électrovanne via un raccord de compression ou un raccord rapide.
  - Placer un écrou de compression en laiton sur le tube en cuivre.

REMARQUE : Ne pas trop serrer l'écrou de compression.

- Serrer modérément empêche les fuites.
  - Glisser la bague en laiton sur le tube.
  - Insérer le tube dans le raccord de l'électrovanne et soutenir la vanne tout en serrant l'écrou de compression.
3. Connecter à une canalisation de vidange d'eau.
    - Consulter les codes de plomberie locaux pour connaître la dimension du tuyau de vidange et les exigences de débit à respecter.
    - La meilleure méthode d'installation consiste à se brancher directement dans le drain de plancher principal à l'aide d'un tuyau de vidange en caoutchouc.
      - a. Glisser le collier d'évacuation sur le tube.
      - b. Pousser le tube sur le raccord d'évacuation de l'humidificateur.
      - c. Acheminer le tuyau de vidange jusqu'au drain de plancher. Le tuyau doit présenter une pente continue vers le bas.
      - d. Placer la sortie du tuyau dans le drain de plancher. Attacher le tuyau pour réduire le risque d'accumulation d'eau ou d'éclaboussures lorsque l'eau s'écoule de l'humidificateur. Voir la Fig. 7.



M20177

Fig. 7. Installation du tube d'évacuation.

## CÂBLAGE

### ⚠ MISE EN GARDE

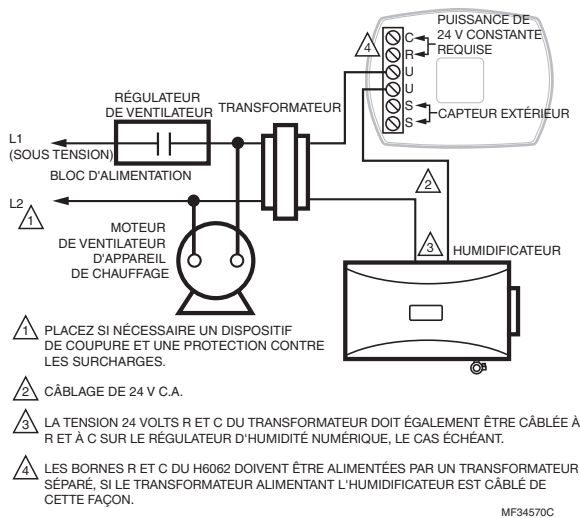
**Tension dangereuse.  
Peut causer des blessures et des dommages matériels.**

Couper l'alimentation avant de faire l'installation ou l'entretien.

### IMPORTANT

Tout le câblage doit être conforme aux codes et règlements locaux en vigueur.

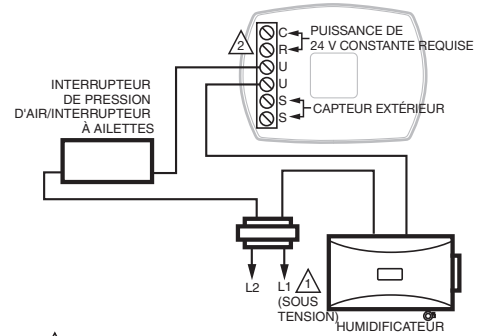
Câbler l'humidificateur, l'humidistat et le transformateur. Voir la Fig. 8–11.



- ⚠ PLACEZ SI NÉCESSAIRE UN DISPOSITIF DE COUPE ET UNE PROTECTION CONTRE LES SURCHARGES.
- ⚠ CÂBLAGE DE 24 V C.A.
- ⚠ LA TENSION 24 VOLTS R ET C DU TRANSFORMATEUR DOIT ÉGALEMENT ÊTRE CÂBLÉE À R ET À C SUR LE RÉGULATEUR D'HUMIDITÉ NUMÉRIQUE, LE CAS ÉCHÉANT.
- ⚠ LES BORNES R ET C DU H6062 DOIVENT ÊTRE ALIMENTÉES PAR UN TRANSFORMATEUR SÉPARÉ, SI LE TRANSFORMATEUR ALIMENTANT L'HUMIDIFICATEUR EST CÂBLÉ DE CETTE FAÇON.

MF34570C

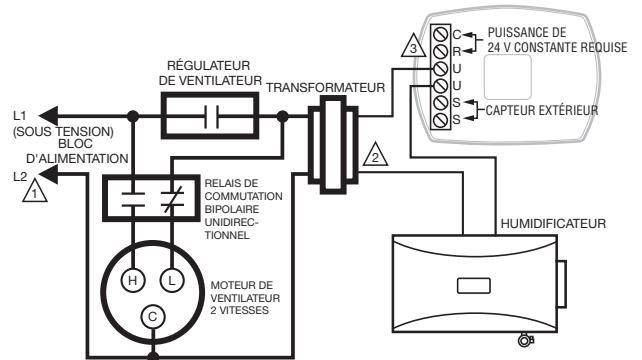
Fig. 8. Câblage à l'humidificateur H6062 avec verrouillage du ventilateur.



- ⚠ PLACEZ SI NÉCESSAIRE UN DISPOSITIF DE COUPE ET UNE PROTECTION CONTRE LES SURCHARGES.
- ⚠ LES BORNES R ET C DU RÉGULATEUR D'HUMIDITÉ H6062 DOIVENT ÊTRE RELIÉES DIRECTEMENT AUX BORNES R ET C DU TRANSFORMATEUR.

MF34573B

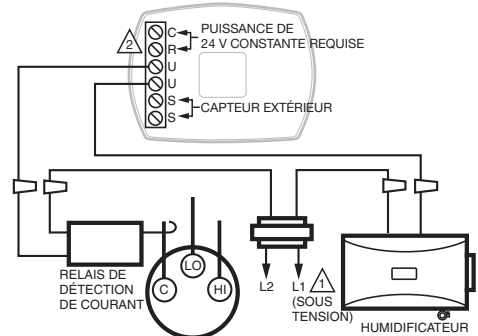
Fig. 9. Câblage en ligne de l'HumidiPRO avec dispositif de vérification de présence d'air.



- ⚠ PLACEZ SI NÉCESSAIRE UN DISPOSITIF DE COUPE ET UNE PROTECTION CONTRE LES SURCHARGES.
- ⚠ CÂBLAGE DE 24 V c.a.
- ⚠ LES BORNES R ET C DU H6062 DOIVENT ÊTRE ALIMENTÉES PAR UN TRANSFORMATEUR SÉPARÉ, SI LE TRANSFORMATEUR ALIMENTANT L'HUMIDIFICATEUR EST CÂBLÉ DE CETTE FAÇON.

MF34571C

Fig. 10. Câblage de l'HumidiPRO avec moteur de ventilateur à deux vitesses.\*



- ⚠ PLACEZ SI NÉCESSAIRE UN DISPOSITIF DE COUPE ET UNE PROTECTION CONTRE LES SURCHARGES.
- ⚠ LES BORNES R ET C DU RÉGULATEUR D'HUMIDITÉ H6062 DOIVENT ÊTRE RELIÉES DIRECTEMENT AUX BORNES R ET C DU TRANSFORMATEUR.

MF34572C

Fig. 11. Câblage de l'HumidiPRO avec relais à détection de courant.

\* Lorsqu'on utilise un thermostat avec commande de la QAI plutôt qu'un humidistat, le câblage du circuit est simplifié. Les contacts en U du thermostat remplacent l'humidistat H6062 de la Fig. 10 et l'interrupteur à ailette est retiré du circuit. Aucun câblage spécial n'est requis pour le primaire du transformateur, l'interrupteur à ailette ou le relais.

## TEST DU FONCTIONNEMENT DE L'HUMIDIFICATEUR

### Liste de contrôle

- L'humidificateur est de niveau.
- Le câblage des commandes a été vérifié à l'aide du schéma de circuit.
- L'humidificateur est branché.
- Le tuyau d'arrivée n'est pas pincé.
- Le tuyau de vidange présente une pente continue vers le bas et se rend au siphon de sol.
- Le tuyau d'eau à l'intérieur de l'humidificateur est raccordé au plateau de distribution d'eau PerfectFlow<sup>MC</sup>.

Après l'installation, vérifier le fonctionnement de l'humidificateur en suivant les étapes ci-dessous :

1. Mettre en marche l'humidificateur et ouvrir l'arrivée d'eau.
2. Réglez l'humidistat H6062 au maximum et allumez le chauffage, en réglant le thermostat à 10 °F (6 °C) au-dessus de la température ambiante.

### IMPORTANT

*Le ventilateur de l'appareil de chauffage doit être en marche pour que l'humidificateur fonctionne.*

3. S'assurer que l'eau s'écoule du tuyau de vidange. Dans le cas contraire, se reporter à la section Dépannage de l'humidificateur.
4. Vérifier s'il y a des fuites.
5. Régler de nouveau le thermostat et l'humidistat H6062 à une température de confort pour les faire fonctionner automatiquement.

## FONCTIONNEMENT

### Fonctionnement de l'humidificateur

L'humidificateur fonctionne selon le principe suivant : la vapeur (eau évaporée) se forme lorsque l'air chaud souffle dans un endroit où il y a de l'eau; en circulant, la vapeur fait augmenter l'humidité relative.

L'humidistat vérifie l'humidité relative et, s'il y a lieu, fait fonctionner l'humidificateur. Le système d'arrivée d'eau répartit uniformément l'eau sur l'écran évaporateur de l'humidificateur. L'air sec et chaud qui sort de l'appareil de chauffage passe sur l'écran évaporateur de l'humidificateur et capte l'air humide pour le faire circuler dans la maison.

L'air humidifié est plus chaud et il assure un meilleur confort. Le point de consigne du thermostat peut donc être abaissé, ce qui permet de diminuer les coûts de chauffage. Avec un humidificateur, la maison devient confortable et éconergétique.

## Contrôle des réglages d'humidité

L'humidistat H6062 commande l'humidificateur.

- Régler l'humidistat à l'aide de l'échelle combinée d'humidité relative et de température extérieure.
- Lorsque le capteur extérieur est utilisé, le H6062 optimise le taux d'humidité tout en réduisant la condensation sur les fenêtres. Pour connaître les réglages et les ajustements, reportez-vous aux instructions du H6062.

REMARQUE : Si le capteur extérieur n'est pas associé au système H6062, il est recommandé de réduire le taux d'humidité lorsque la température extérieure baisse, afin de tenir compte des effets du point de rosée. Ces réglages devraient réduire l'accumulation d'humidité et de glace sur les fenêtres et les autres parties de la maison.

- Le réglage de l'humidificateur doit être fait en fonction des activités à l'intérieur, notamment la cuisson, les douches et le séchage des vêtements. Ces activités peuvent produire une humidité excessive et être la cause de l'accumulation d'humidité dans les fenêtres.

REMARQUE : Si ces conditions durent plusieurs heures, régler l'humidistat à la valeur la plus basse pour arrêter l'humidificateur. S'il n'y a aucun changement, il faudrait ventiler la maison pour faire disparaître l'humidité.

**Tableau 2. Réglage de votre humidistat lorsque le capteur extérieur n'est pas utilisé.**

Lorsque la température extérieure est de :	Utiliser ce réglage :
-29 °C (-20 °F)	15
-23 °C (-10 °F)	20
-18 °C (0 °F)	25
-12 °C (+10 °F)	30
-7 °C (+20 °F)	35
Au-dessus de -7 °C (20 °F)	40

## ENTRETIEN DE L'HUMIDIFICATEUR

Un programme d'entretien régulier prolonge la durée de vie de votre humidificateur et rend votre maison plus confortable. La fréquence de nettoyage dépend de la condition de l'eau.

L'humidificateur accepte de l'eau dure ou douce, mais les dépôts minéraux de l'eau dure sont plus difficiles à nettoyer que les dépôts d'eau douce.

### IMPORTANT

*Ne jamais huiler une pièce quelle qu'elle soit de l'humidificateur.*

## Fin de la saison d'humidification

- Nettoyer l'humidificateur et l'éteindre à la fin de la session de chauffage.



- Couper l'eau au niveau de la vanne à étrier ou du raccord de vanne en T en tournant la poignée à droite (sens horaire) jusqu'à ce que l'eau arrête de couler et/ou qu'une résistance se fasse sentir.
- Mettre l'humidificateur hors tension.
- Mettre la lame du registre en position fermée.

## Tampons d'humidificateur de rechange

Resideo recommande de remplacer le tampon de l'humidificateur une fois par an. Toutefois, si l'eau est dure, le tampon peut nécessiter d'être remplacé plus fréquemment en raison de l'accumulation de minéraux diminuant sa capacité à fonctionner normalement. Si possible, il est recommandé d'utiliser de l'eau adoucie en utilisant un adoucisseur d'eau.

**Tableau 3. Références des tampons de rechange.**

Modèle	Tampon de rechange
HE105	HC22
HE205	HC26

## Vérification

1. Ouvrir l'arrivée d'eau et le volet du conduit de dérivation.

REMARQUE : L'humidificateur ne fonctionne que si la soufflante de l'appareil de chauffage est en marche.

2. Régler le thermostat à une température supérieure de 6 °C (10 °F) à la température de la pièce.
3. Régler le régulateur d'humidité à un point d'humidité élevé, ou le placer en position de test.
4. Vérifier que l'eau s'écoule par le tuyau de vidange pour s'assurer que l'humidificateur fonctionne correctement.
5. Vérifier qu'il n'y a pas de fuites.
6. Réinitialiser le régulateur d'humidité à un niveau confortable, ou régler le contrôleur d'humidité automatique au facteur de gel désiré.

## DÉPANNAGE DE L'HUMIDIFICATEUR

Problème	Raisons	Solutions
Fuite d'eau	Fuite au niveau des joints.	Couper l'eau et serrer les raccords.
	Inserts de tube en laiton	Vérifier que les inserts de tube en laiton sont présents.
	Fuite de la vanne à étrier.	Vérifier que le tampon en caoutchouc est installé sur la vanne à étrier.
Pas d'eau à évacuer.	Spécifications électriques	Vérifier le câblage du circuit de régulation. Vérifier toutes les connexions.
	Humidistat	Augmenter et réduire le réglage de l'humidistat et détecter le clic indiquant que le contact s'est fait.
	Alimentation de l'humidificateur	Vérifier que la prise est alimentée.
	Solénoïde	Après avoir vérifier les autres éléments de câblage, allumer l'appareil de chauffage, augmenter et réduire le réglage de l'humidistat, et écouter pour détecter l'enclenchement du solénoïde.
	Raccordement	Vérifier les connexions de plomberie. Vérifier qu'il n'y a pas de coudes ou de pliures.
	Vanne à étrier	Vérifier que l'aiguille touche la ligne d'eau et recule pour déclencher l'ouverture de la vanne.
	Humidificateur	Retirer le couvercle et vérifier que l'eau s'écoule dans le plateau de distribution.
	Tube d'évacuation	Vérifier qu'il n'y a pas d'obstruction.
Fuite d'air	Vérifier les joints des conduits	Sceller avec du ruban en aluminium.
Basse humidité	La soufflante de l'appareil de chauffage ne fonctionne pas.	<ul style="list-style-type: none"> <li>• Réenclencher le disjoncteur ou rechercher un fusible grillé.</li> <li>• Vérifier que l'appareil de chauffage est alimenté en courant.</li> <li>• Vérifier tous les raccords de câblage externes.</li> <li>• Vérifier le réglage du régulateur d'humidité.</li> <li>• Appeler un professionnel du chauffage.</li> </ul>
	Changements rapides d'air. Courants d'air (l'air froid est sec et constitue une charge additionnelle pour l'humidificateur).	<ul style="list-style-type: none"> <li>• Garder les portes et les fenêtres fermées.</li> <li>• Fermer le registre du foyer s'il n'est pas utilisé.</li> <li>• Limiter l'utilisation du ventilateur d'échappement.</li> <li>• Étanchéifier le pourtour des portes et des fenêtres.</li> </ul>
	Registre en position fermée	<ul style="list-style-type: none"> <li>• Régler la lame du registre en position ouverte pour permettre l'humidification.</li> </ul>
Haute humidité	Condensation sur les murs.	<ul style="list-style-type: none"> <li>• Couper le régulateur d'humidité et l'eau jusqu'à ce que la condensation ait disparu.</li> </ul>
	Forte présence de condensation sur les fenêtres.	<ul style="list-style-type: none"> <li>• Placer le régulateur d'humidité à un réglage plus bas pour éliminer la condensation causée par l'humidité des bains, des nettoyages à la vadrouille, de la cuisson, etc. Si l'humidité persiste, une ventilation supplémentaire est requise.</li> </ul>

## PIÈCES DE RECHANGE

Se référer à la Fig. 12 et au Tableau 4 lors de la commande de pièces de rechange.

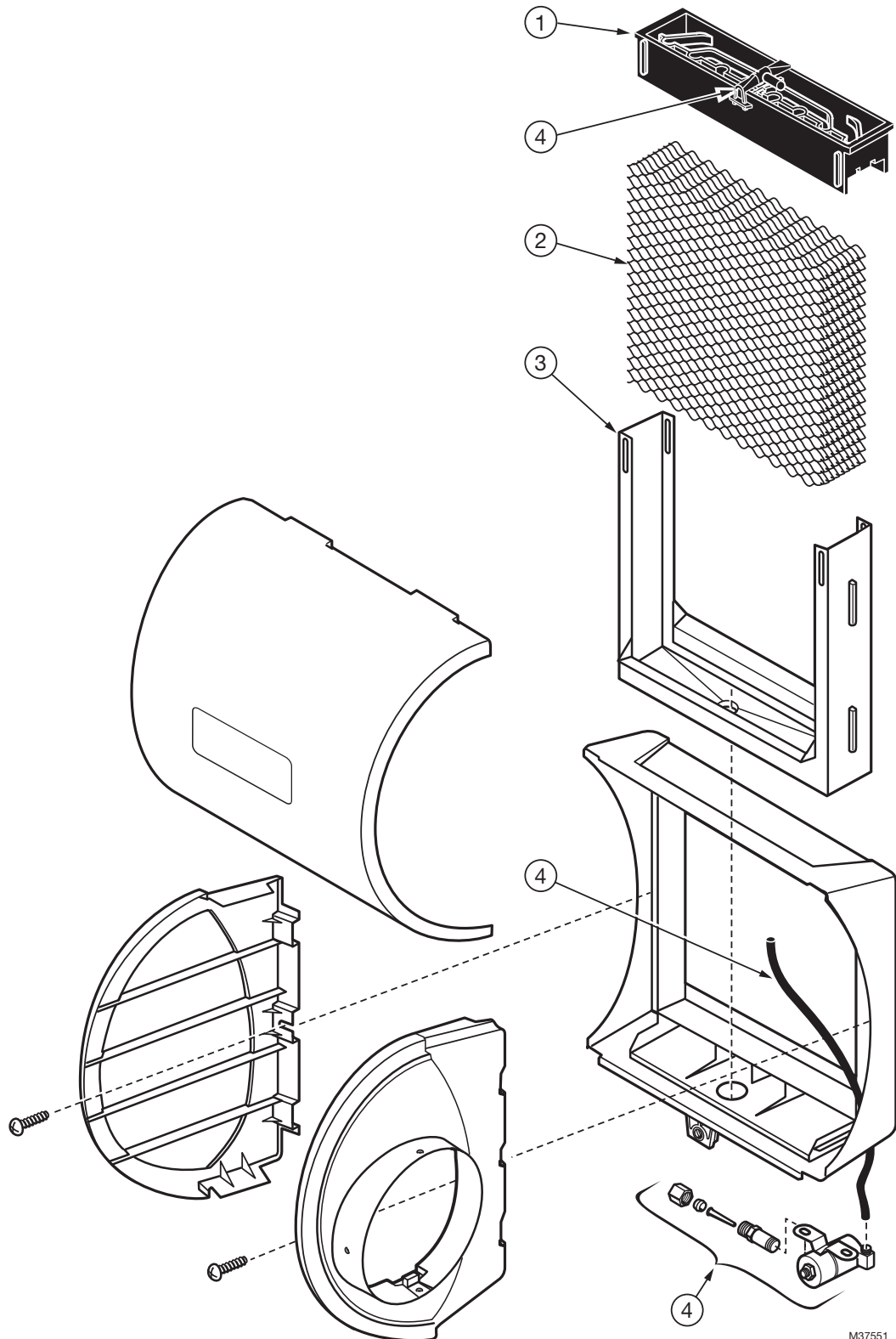


Fig. 12. Vue éclatée de pièces d'humidificateurs.

Tableau 4. Liste des pièces de rechange pour HE105, HE205.

Numéro vue éclatée (voir Fig. 12)	Description	HE105	HE205
1	Bac de distribution de l'eau PerfectFlo <sup>MC</sup>	32001619-001/U	32001630-001/U
2	Standard tampon de l'humidificateur	HC22A1007/U	HC26A1008/U
	Tampon de l'humidificateur avec revêtement AgION	HC22E1003/U	HC26E1004/U
3	Structure	32001621-001/U	32001632-001/U
4	Ensemble de valves à solénoïde (inclut un tuyau pour l'alimentation en eau et une buse)	32001639-002/U	32001639-002/U
—	Ensemble de quincaillerie pour l'ensemble de solénoïde (même chose que l'ensemble de valves à solénoïde, sans la valve à solénoïde)	32001752-001	32001752-001
—	Transmission de la mesure de courant	32001754-001	32001754-001

## GARANTIE LIMITÉE DE 5 ANS

Resideo garantit ce produit, à l'exception des piles, contre tout défaut de pièce ou de main-d'oeuvre, durant une période pour cinq (5) ans à partir de la date d'achat par le consommateur d'origine si le produit est utilisé et entretenu convenablement. En cas de défaillance ou de mauvais fonctionnement pendant la période de garantie, Resideo remplacera ou réparera le produit, à sa discrétion.

Si le produit est défectueux

(i) renvoyez-le avec la facture ou une autre preuve d'achat date au lieu d'achat; ou

(ii) appelez le service à la clientèle de Resideo en composant le 1-800-468-1502. Le service à la clientèle déterminera si le produit doit être retourné à l'adresse suivante : Resideo Return Goods, 1985 Douglas Dr. N., Golden Valley, MN 55422, ou si un produit de remplacement peut vous être expédié.

La présente garantie ne couvre pas les frais de retrait ou de réinstallation. La présente garantie ne s'applique pas s'il est démontré par Resideo que la défaillance ou le mauvais fonctionnement sont dus à un endommagement du produit alors que le consommateur l'avait en sa possession.

La responsabilité exclusive de Resideo se limite à réparer ou à remplacer le produit conformément aux modalités susmentionnées. RESIDEO N'EST EN AUCUN CAS RESPONSABLE DES PERTES OU DOMMAGES, Y COMPRIS LES DOMMAGES INDIRECTS OU ACCESSOIRES DÉCOULANT DIRECTEMENT OU INDIRECTEMENT D'UNE VIOLATION QUELCONQUE D'UNE GARANTIE, EXPRESSE OU TACITE, APPLICABLE AU PRÉSENT PRODUIT, OU TOUTE AUTRE DÉFAILLANCE DU PRÉSENT PRODUIT. Certaines provinces ne permettent pas l'exclusion ou la restriction des dommages indirects ou accessoires et, par conséquent, la présente restriction peut ne pas s'appliquer.

CETTE GARANTIE EST LA SEULE GARANTIE EXPRESSE FAITE PAR RESIDEO POUR CE PRODUIT. LA DURÉE DE TOUTE GARANTIE IMPLICITE, INCLUANT LES GARANTIES DE QUALITÉ MARCHANDE OU D'ADAPTATION À UNE UTILISATION PARTICULIÈRE, EST LIMITÉE PAR LES PRÉSENTES À LA PÉRIODE À CINQ ANNÉES DE LA PRÉSENTE GARANTIE. Certaines provinces ne permettent pas de limiter la durée des garanties tacites et, par conséquent, la présente limitation peut ne pas s'appliquer.

La présente garantie donne au consommateur des droits spécifiques et certains autres droits qui peuvent varier d'une province à l'autre. Pour toute question concernant la présente garantie, prière d'écrire aux Services à la clientèle de Resideo à l'adresse suivante : Resideo Customer Relations, 1985 Douglas Dr, Golden Valley, MN 55422 ou composer le 1-800-468-1502.



Resideo Technologies, Inc.  
1985 Douglas Drive North, Golden Valley, MN 55422  
1-800-468-1502  
33-00229EF-05 M.S. Rev. 07-22 | Imprimé aux États-Unis

www.resideo.com