

PROJECT NAME _____

LOCATION _____

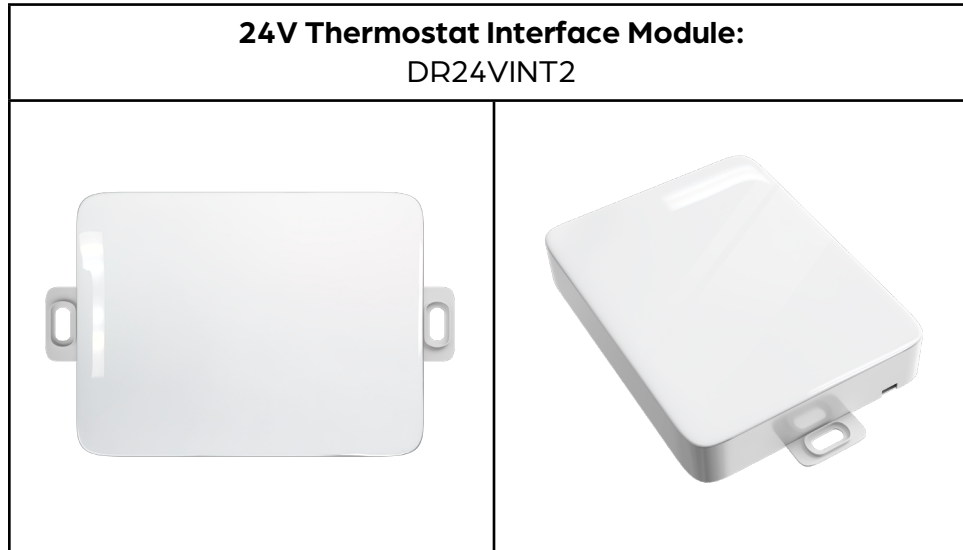
ARCHITECT _____

ENGINEER _____

CONTRACTOR _____

REFERENCE _____

SUBMITTED BY _____ DATE _____



PRODUCT FEATURES

- Connects standard 24VAC thermostats such as NEST, Ecobee, Honeywell, etc. (wifi and non-wifi)
- Connects one indoor unit per interface
- Keeps the Durastar inverter compressor operating as a variable speed system
- 20" wire lead included
- Two connection methods available based on indoor unit: 4-wire cable provided or non-polar HA/HB +20AWG 2-wire (field supplied)
- Additional 20" 4-wire lead extender available (DRPDRSTATEXT1)
- For indoor use only
- 24VAC transformer not included

COMPATIBILITY CHART

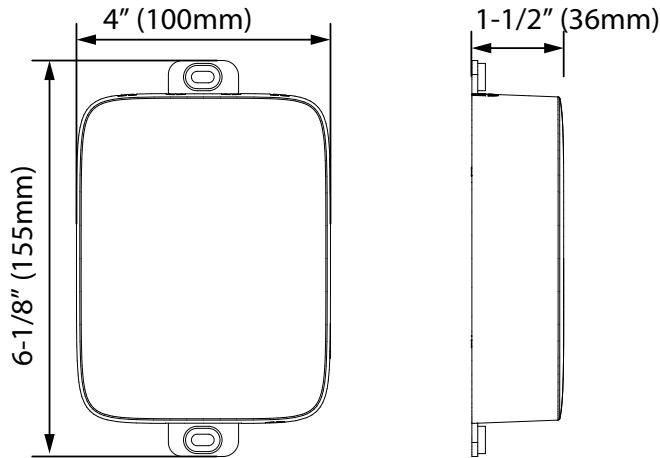
	MODEL TYPE	COMPATIBILITY	CONNECTION METHOD
R-410A UNITS	DRAW_F1A	No	--
	DRAW_F1B	Yes	XYE/12V via DRPDRAWMFB1
	DRAC_F1A, DRAC24F1B	Yes	4-pin cable
	DRAL_F1A	Yes	4-pin cable
	DRAF_F1A	Yes	4-pin cable
	DRAS12F1A, DRAS12F1B	No	--
	DRAD_F1A	Yes	4-pin cable
R-454B UNITS	DRAW_F2A	Yes	XYE/12V
	DRAC_F2A	Yes	HA/HB
	DRAL_F2A	Yes	HA/HB
	DRAF_F2A	Yes	HA/HB
	DRAS_F2A	Yes	4-pin cable
	DRAD_F2A	Yes	HA/HB

SPECIFICATIONS

Input Voltage	5V - 12V
Ambient Temperature	32-110°F (0-43°C)
Ambient Humidity	40-90% RH
4-Pin Wire Connection Max Length	65 ft (20m)
Non-Polar 2-Conductor Wire Gauge	16 AWG - 20 AWG*
HA/HB Non-Polar 2-Conductor Wire Max Length	65 ft (20m) max length

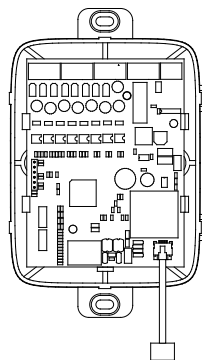
*On new installations or if you experience communication interference, it is strongly suggested to use 16 AWG stranded, shielded wire.

INTERFACE DIMENSIONS

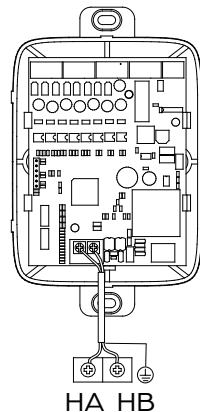


INDOOR UNIT CONNECTION METHODS

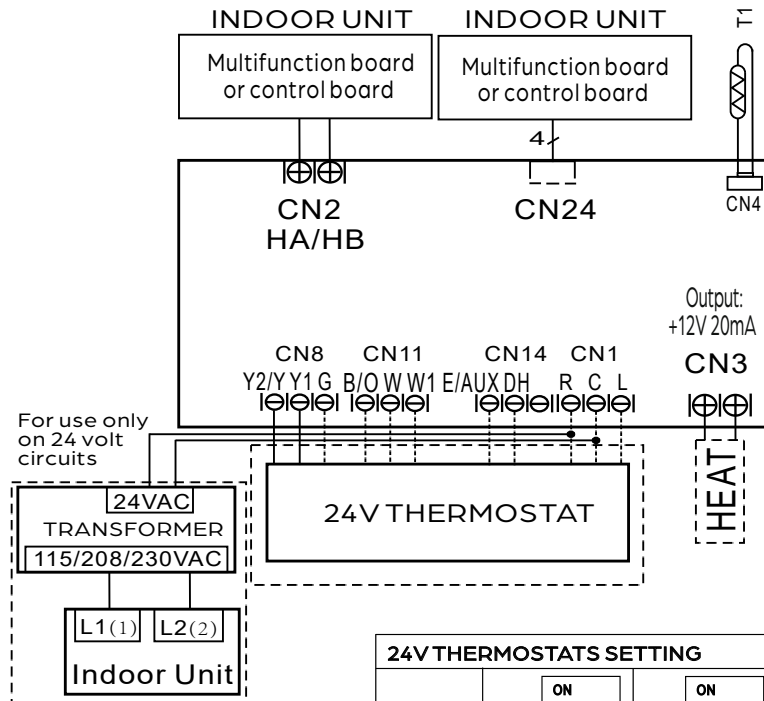
4-Pin Molex or
XYE/12V Cable



Non-polar 2-wire
HA / HB



WIRING DIAGRAM



1. [Symbol] This symbol indicates the element is optional and not provided.

24V THERMOSTATS SETTING			
Code	ON~OFF	ON~OFF	ON~OFF
DEFAULT SETTING	OFF	OFF	OFF

24V TERMINAL DEFINITIONS

Connector	Purpose
R	24V Power Connection
C	Common
G	Fan Control
Y1	Low Cooling
Y/Y2	High Cooling
B	Heating Reversing Valve
W	Heating Control
W1	Stage 1 Electric Heating
E/AUX	Emergency Heating
DH	Dry (Dehumidification)
L	System Fault Signal (output)
Output Terminal 12V	12V Output to Drive Aux Heating Relay