



**SIRIUS HEAT™**

# 36,000 BTU/H SIRIUS HEAT MULTI-ZONE HEAT PUMP

SUBMITTAL COVER SHEET

PROJECT NAME \_\_\_\_\_

LOCATION \_\_\_\_\_

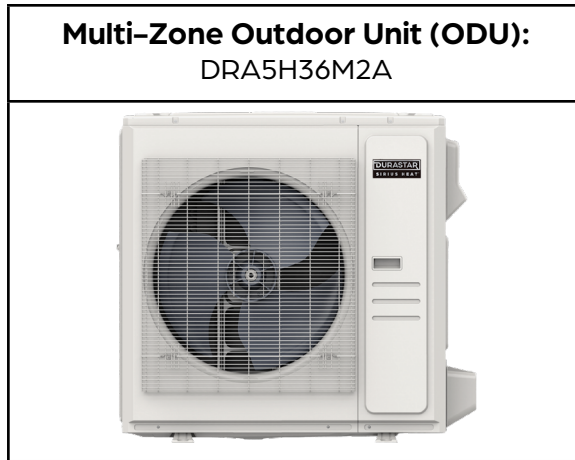
ARCHITECT \_\_\_\_\_

ENGINEER \_\_\_\_\_

CONTRACTOR \_\_\_\_\_

REFERENCE \_\_\_\_\_

SUBMITTED BY \_\_\_\_\_ DATE \_\_\_\_\_



### PRODUCT FEATURES

- High heating capacity at 0°F
- Variable speed inverter compressor
- Low ambient heating and cooling down to -22°F
- Quiet operation
- Included base pan heater
- Auto restart
- Anti-corrosive coil coating
- A2L refrigerant detection system
- Electronic refrigerant shut-off valve
- Port adaptors included

EFFICIENCY DATA	DUCTLESS	MIXED	DUCTED
SEER2	21.50	20.45	19.40
EER2	12.20	12.10	12.00
HSPF2	11.30	10.85	10.40
COP at 47°F (8°C) <sup>2</sup>	3.90	3.85	3.80
COP at 17°F (-8°C) <sup>3</sup>	2.40	2.40	2.40
COP at 5°F (-15°C) <sup>4</sup>	1.90	1.95	2.00

SYSTEM DATA	
Refrigerant Type	R-454B
Refrigerant Charge (oz. (kg))	134.0 (3.8)
Design Pressure (PSIG)	550/340
Indoor/ Outdoor Coil Coating	Golden Fin Coating

CAPACITIES		DUCTLESS	MIXED	DUCTED
Cooling (BTU/hr)	Rated at 95°F (35°C) <sup>1</sup>	36000	36000	36000
	at 109°F (43°C)	32000	32500	33000
	at 5°F (-15°C)	36000	36000	36000
	Minimum	9000	9000	9000
	Maximum	42000	42000	42000
Heating (BTU/hr)	Rated at 47°F (8°C) <sup>2</sup>	36000	36000	36000
	Rated at 17°F (-8°C) <sup>3</sup>	36600	34800	33000
	Rated at 5°F (-15°C) <sup>4</sup>	37000	37500	38000
	at -13°F (-25°C)	27000	24000	21000
	at -22°F (-30°C)	22000	19650	17300
	Minimum	10000	10000	10000
	Maximum	44000	44500	45000
Nominal ODU Capacity <sup>5</sup>		36000		



Intertek

Specifications are subject to change without notice.  
 © 2024 Ferguson Enterprises LLC  
 www.durastar.com



# 36,000 BTU/H SIRIUS HEAT MULTI-ZONE HEAT PUMP

SPECIFICATIONS-DRA5H36M2A

## SIRIUS HEAT™

LINE SET REQUIREMENTS	
Connection Type	Flare
Liquid (in. (mm))	5 x Ø1/4 (Ø6.35)
Gas (in. (mm))	3 x Ø3/8 (Ø9.52) 2 x Ø1/2 (Ø12.70)
Refrigeration Adaptors Included (in)	2 x 1/4 → 3/8 1 x 3/8 → 1/2 2 x 1/2 → 3/8 2 x 1/2 → 5/8
Minimum Indoor Units Connected	2
Pre-Charge Length/ Zone (ft. (m))	25 (7.5)
Maximum Length (combined IDUs) (ft. (m))	262 (80)
Maximum Length (per IDU) (ft. (m))	115 (35)
Minimum Length (per IDU) (ft. (m))	10 (3)
Max. Height Differential between IDU and ODU (ft. (m))	49 (15)
Max. Height Differential between IDUs (ft. (m))	33 (10)
Additional Refrigerant for Ø1/4" Liquid Pipe (oz./ft (g/m))	.16 (15)
Additional Refrigerant for Ø3/8" Liquid Pipe (oz./ft (g/m))	.32 (30)

ELECTRICAL DATA	DUCTLESS		DUCTED	
	Voltage/Phase/Frequency	208-230V, 1 Phase, 60 Hz		
Voltage Range	187-253V			
Recommended Breaker (Amps)	40			
Minimum Circuit Ampacity (Amps)	37.0			
Communication Wire Size	14*4 AWG Stranded			
Rated Current - Cooling (Amps) <sup>1</sup>	13.2			13.4
Rated Current - Heating (Amps) <sup>2</sup>	12.4			12.4

OUTDOOR UNIT DATA		
Unit Dimensions (in. (mm))	Width	38-9/16 (980)
	Depth	16-5/16 (415)
	Height	38-3/8 (975)
Carton Dimensions (in. (mm))	Width	45-1/16 (1145)
	Depth	19-11/16 (500)
	Height	42-1/2 (1080)
Net Weight (lbs. (kg))	211.9 (96.1)	
Gross Weight (lbs. (kg))	244.7 (111.0)	
Cooling Operating Temp. (°F (°C))	-22 - 122 (-30 - 50)	
Heating Operating Temp. (°F (°C))	-22 - 75 (-30 - 24)	
Airflow (CFM)	3037	
Sound Pressure (dB(A))	65	
Fan Speed (r/min)	Low	650
	Med	700
	High	750
Fan Motor Current Type	DC	

COMPRESSOR	
Type	DC Inverter Twin Cylinder Rotary
Oil Type	VG75
Oil Charge (oz.(ml))	44 (1300)

<sup>1</sup> Value at AHR1 Rated Capacity at 95°F (35°C) (AFull)

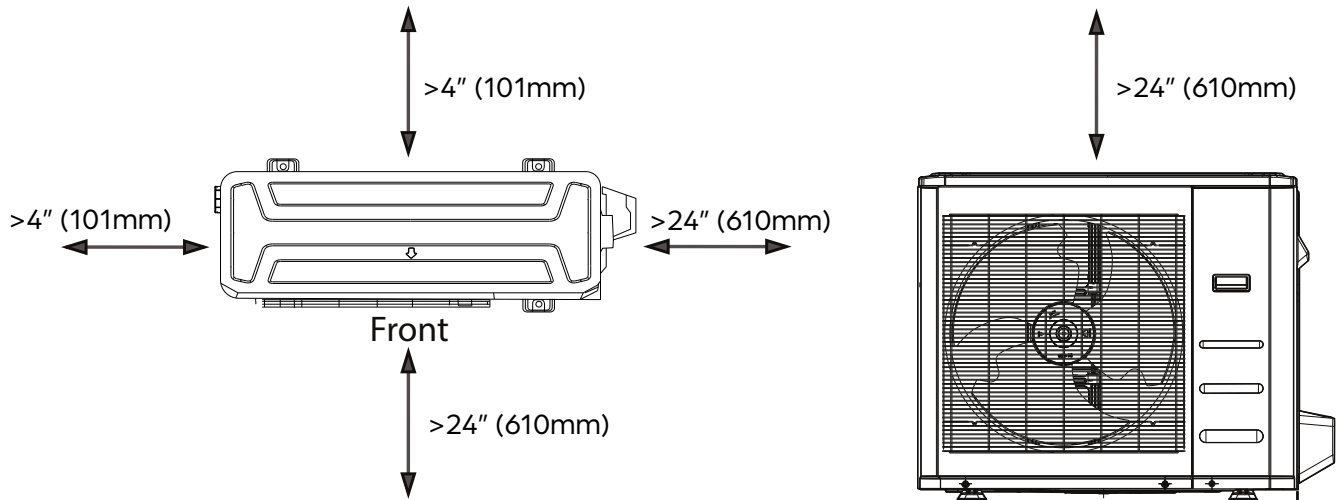
<sup>2</sup> Value at AHR1 Rated Capacity at 47°F (8°C) (H1Full)

<sup>3</sup> Value at AHR1 Rated Capacity at 17°F (-8°C) (H32)

<sup>4</sup> Value at AHR1 Rated Capacity at 5°F (-15°C) (H42)

<sup>5</sup> If the total indoor unit load exceeds the nominal capacity of the outdoor unit, the practical output capacity of each indoor unit will be correspondingly reduced. This situation is very evident during heating mode.

**Clearances**



**Dimensions**

