



12,000 BTU/H FLOOR MOUNTED HEAT PUMP SYSTEM

SUBMITTAL COVER SHEET

PROJECT NAME _____

LOCATION _____


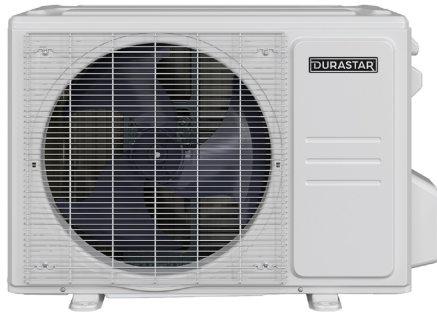

ARCHITECT _____

ENGINEER _____

CONTRACTOR _____

REFERENCE _____

SUBMITTED BY _____ DATE _____

Indoor Unit (IDU): DRAS12F2A	Outdoor Unit (ODU): DRA1U12S2A	Wireless Remote Control
		

PRODUCT FEATURES

- Low ambient heating and cooling down to -13°F
- A2L refrigerant detection system
- Variable speed inverter compressor
- Quiet operation
- Wireless remote control with "Follow Me" technology
- Larger top and bottom air outlets
- Turbo, ECO, Active Clean, Sleep modes and more
- Humidity control
- Auto restart
- 46°F freeze protection
- Included base pan heater
- Anti-corrosive fin coating
- Compatible with DRSTAT101 wired thermostat

SYSTEM DATA	
Refrigerant Type	R-454B
Refrigerant Charge (oz. (kg))	32.5 (0.9)
Design Pressure (PSIG)	550/340
Indoor/ Outdoor Coil Coating	Golden Fin Coating

EFFICIENCY DATA	
SEER2	24.6
EER2	12.7
HSPF2	11.0
COP at 47°F (8°C) ²	3.90
COP at 17°F (-8°C) ³	2.88
COP at 5°F (-15°C) ⁴	2.50

CAPACITIES		
Cooling Capacity (BTU/hr)	Rated at 95°F (35°C) ¹	12000
	at 109° (43°C)	11500
	at 5° (-15°C)	15800
	Cooling Range	4000 - 13100
Heating Capacity (BTU/hr)	Rated at 47°F (8°C) ²	12000
	Rated at 17°F (-8°C) ³	9000
	Rated at 5°F ⁴	8900
	at -13° (-25°C)	4600
	Heating Range	5100 - 12900

Specifications are subject to change without notice.

© 2024 Ferguson Enterprises LLC
www.durastar.com



Intertek



12,000 BTU/H FLOOR MOUNTED HEAT PUMP SYSTEM

SPECIFICATIONS

LINE SET REQUIREMENTS	
Connection Type	Flare
Liquid (in. (mm))	Ø1/4 (Ø6.35)
Gas (in. (mm))	Ø3/8 (Ø9.52)
Pre-Charge Length (ft. (m))	25 (7.5)
Minimum Length (ft. (m))	10 (3.0)
Maximum Length (ft. (m))	82 (25.0)
Maximum Height Differential (ft. (m))	49 (15.0)
Additional Refrigerant (oz./ft (g/m))	0.16 (15)

OUTDOOR UNIT		
Unit Dimensions (in. (mm))	Width	30-1/8 (765)
	Depth	11-15/16 (303)
	Height	21-7/8 (555)
Carton Dimensions (in. (mm))	Width	34-15/16 (887)
	Depth	13-5/16 (337)
	Height	24 (610)
Net Weight (lbs. (kg))	62.2 (28.2)	
Gross Weight (lbs. (kg))	67.7 (30.7)	
Cooling Operating Temp. (°F (°C))	-13 - 122 (-25 - 50)	
Heating Operating Temp. (°F (°C))	-13 - 75 (-25 - 24)	
Voltage/Phase/Frequency	208-230V, 1 Ph, 60 Hz	
Voltage Range (V)	187-253	
Recommended Breaker (Amps)	15	
Minimum Circuit Ampacity (Amps)	12.0	
Communication Wire Size	14*4 AWG Stranded	
Rated Current - Cooling (Amps) ¹	4.2	
Rated Current - Heating (Amps) ²	4.6	
Sound Pressure (dB(A))	55	

¹ Value at AHR1 Rated Capacity at 95°F (35°C) (AFull)
² Value at AHR1 Rated Capacity at 47°F (8°C) (H1Full)
³ Value at AHR1 Rated Capacity at 17°F (-8°C) (H32)
⁴ Value at AHR1 Rated Capacity at 5°F (-15°C) (H42)

INDOOR UNIT		
Unit Dimensions (in. (mm))	Width	31-1/4 (794)
	Depth	7-7/8 (200)
	Height	24-7/16 (621)
Carton Dimensions (in. (mm))	Width	34 (865)
	Depth	11 (280)
	Height	28-5/16 (719)
Net Weight (lbs. (kg))	32.9 (14.9)	
Gross Weight (lbs. (kg))	41.9 (19.0)	
Indoor Unit Air Flow (CFM (m³/h))	Silent	130 (220)
	Low	188 (320)
	Medium	324 (550)
	High	377 (640)
	Turbo	441 (750)
Moisture Removal (Pints/day (L/h))	65.9 (1.3)	
Drain Port O.D. (in. (mm))	Ø5/8 (Ø16)	
Recommended Breaker (Amps)	15	
Minimum Circuit Ampacity (Amps)	3.0	
Sound Pressure (dB(A))	Silent	24
	Low	30
	Medium	35
	High	39
	Turbo	42

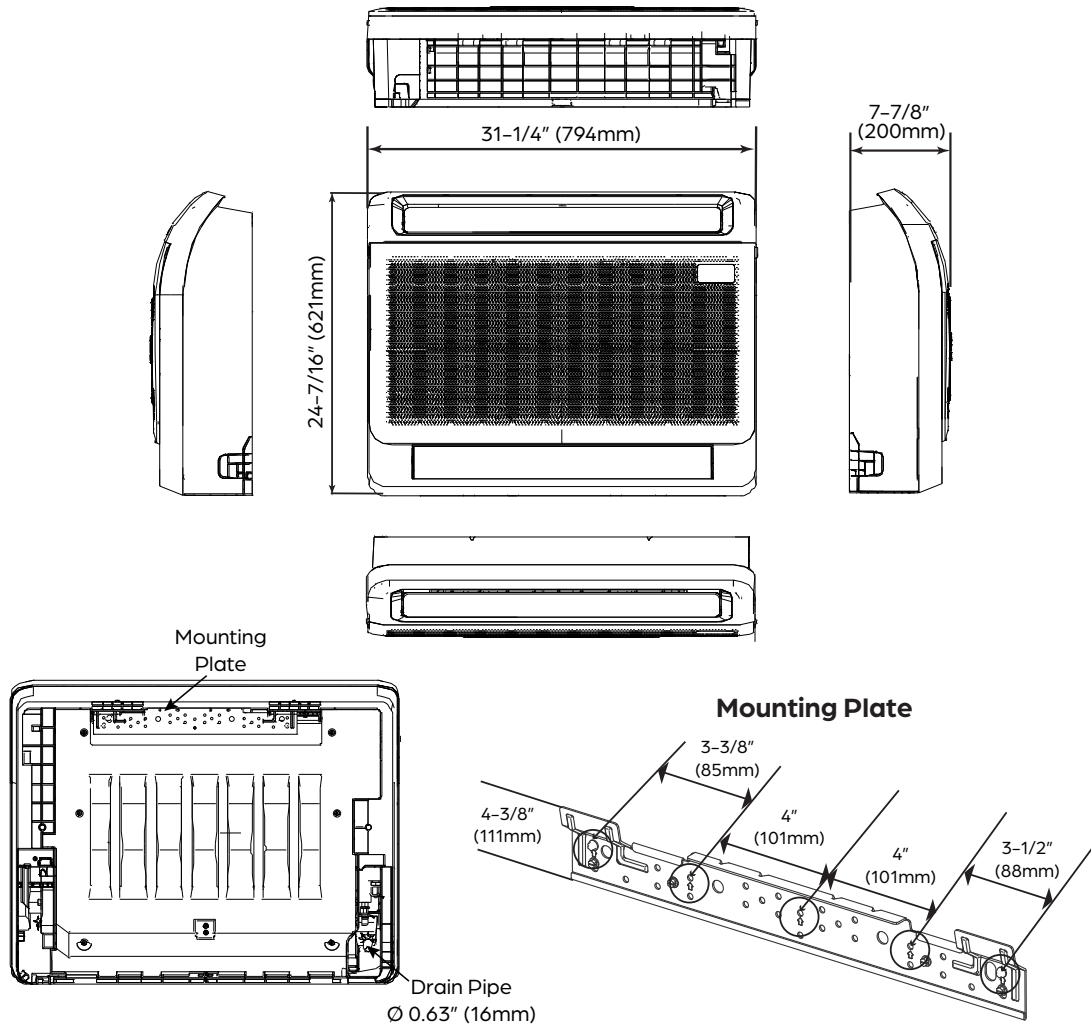
COMPRESSOR	
Type	DC Rotary Inverter
Oil Type	Ester Oil VG74
Oil Charge (oz. (ml))	10.5 (310)



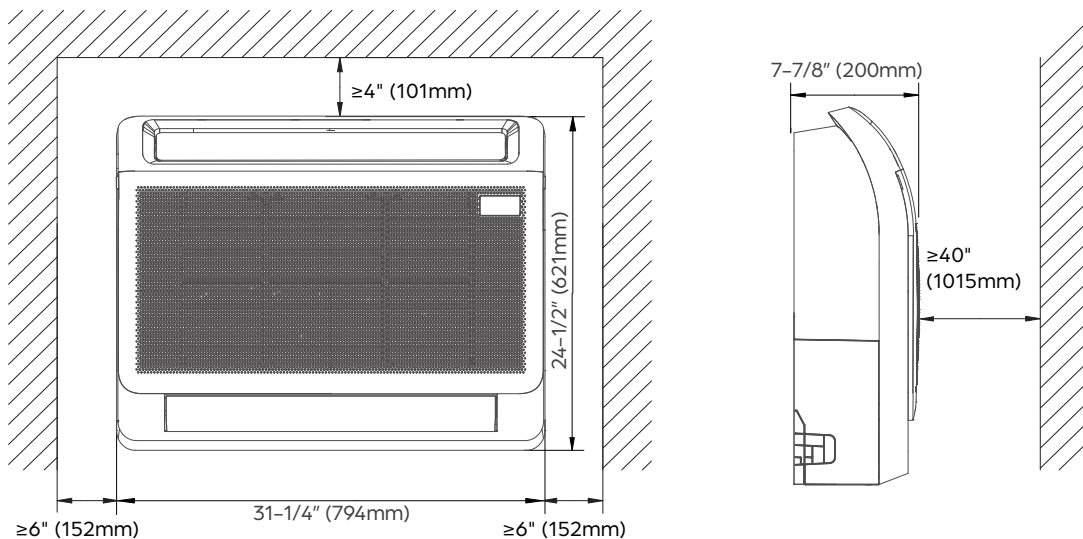
12,000 BTU/H FLOOR MOUNTED HEAT PUMP SYSTEM

IDU DIMENSIONS - DRAS12F2A

Dimensions



Clearances

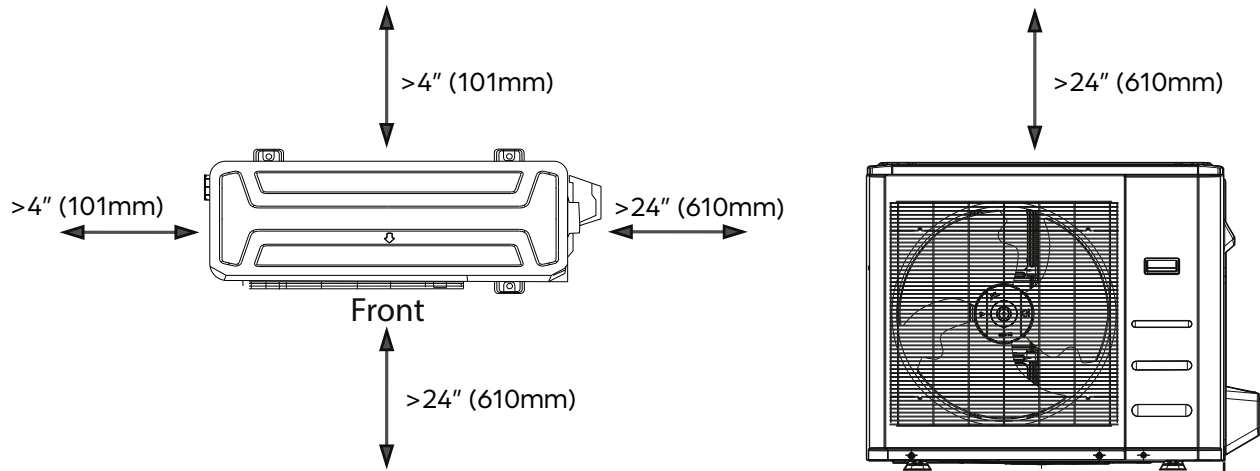




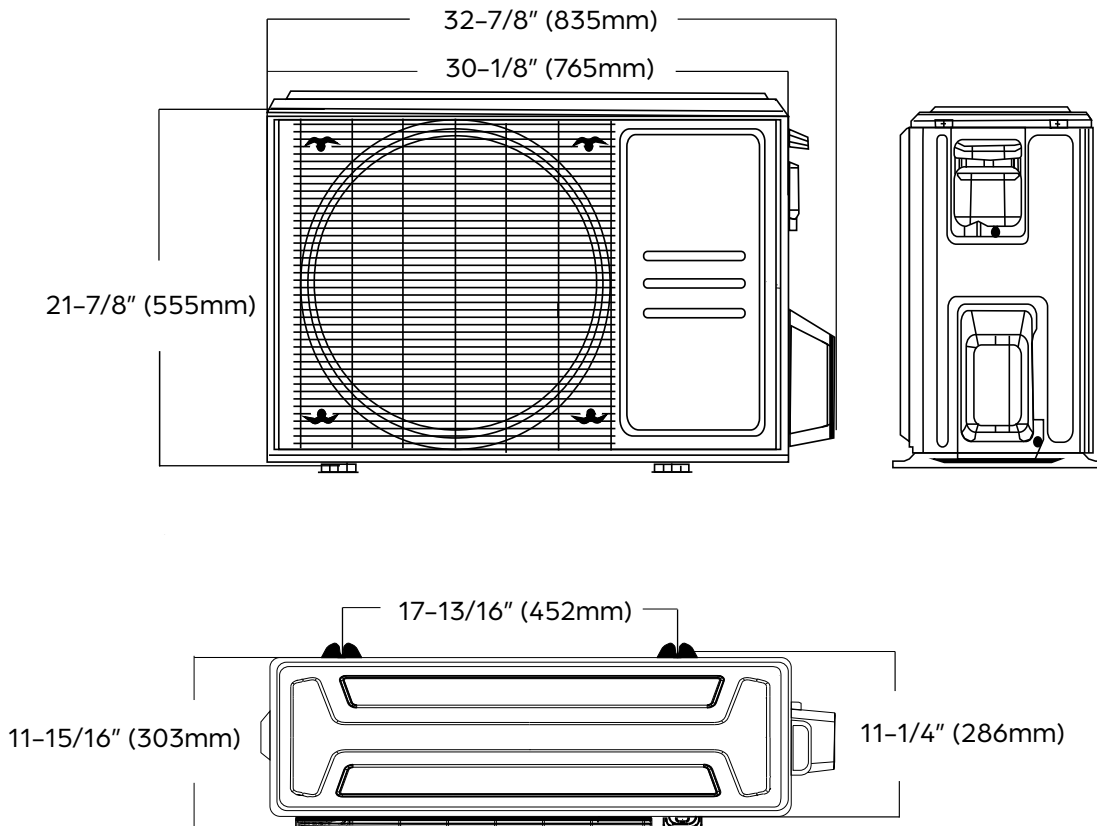
12,000 BTU/H FLOOR MOUNTED HEAT PUMP SYSTEM

ODU DIMENSIONS - DRA1U12S2A

Clearances



Dimensions



NOTE

Illustrations in this document are for explanatory purposes. The actual shape of your mini-split equipment may vary slightly.